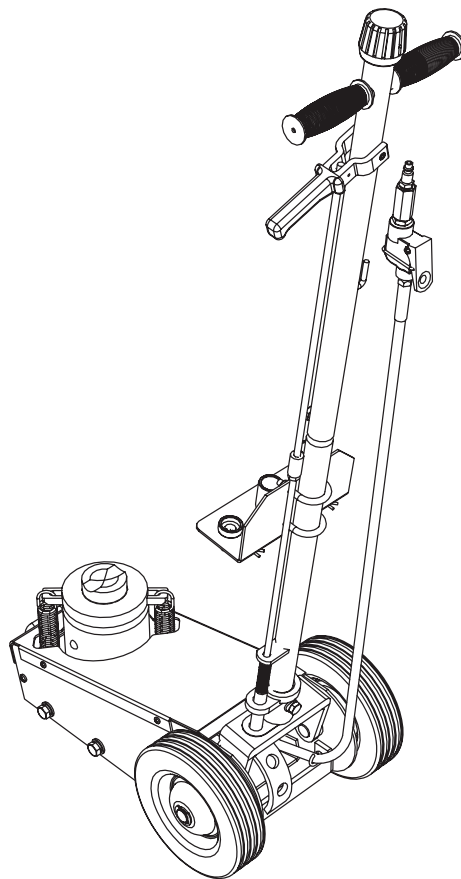
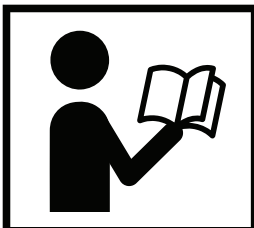


# 22/35 TON AIR HYDRAULIC AXLE JACK



## ⚠ WARNING



- Please read and understand the product manual completely before assembly
- Check against the parts list to make sure all parts are received
- Wear proper safety goggles or other protective gears while in assembly
- Do not return the product to dealer. They are not equipped to handle your requests.

Missing parts or have questions on assembly?

Please call: 1-877-761-2819 or email: [cs@tmgindustrial.com](mailto:cs@tmgindustrial.com)

## IMPORTANT

Before You Begin Register This Product.

For future reference, record the model name, model number, date of manufacture and purchase date of this product. You can find this information on the product.

Model Name \_\_\_\_\_

Model Number \_\_\_\_\_

Date of Manufacture \_\_\_\_\_

Date of Purchase \_\_\_\_\_

## OWNER / USER RESPONSIBILITY

**DO NOT OPERATE OR REPAIR THIS PRODUCT WITHOUT READING THIS MANUAL.**

Read and follow the safety instructions. Keep Instructions readily available for operators. Make certain all operators are properly trained and understand how to safely and correctly operate the product. By proceeding you agree that you fully understand and comprehend the full contents of this manual. Failure to operate this product as intended may cause injury or death. The manufacturer is not responsible for any damages or injury caused by improper use or neglect. Allow product operation only with all parts in place and operating safely. Use only genuine replacement parts. Service and maintain the product only with authorized or approved replacement parts; negligence will make the product unsafe for use and will void the warranty. Carefully inspect the product on a regular basis and perform all maintenance as required. Store these instructions in a protected dry location. Keep all decals on the product clean and visible. Do not modify and/or use for any application other than that for which this product was designed. If you have any questions relative to a particular application, DO NOT use the product until you have first contacted the distributor or manufacturer to determine if it can or should be performed on the product.

For technical questions please call 1-888-448-6746.

## INTENDED USE

These pneumatic heavy-duty Air/Hydraulic Quick Lift Service Jack has a powerful air motor to lift heavy loads. A quick lift system allows the lifting ram to come in contact with the load faster. The compact design easily fits between dual tandem axles. Ideal for lifting axles, farm vehicles, heavy-duty machinery, industrial equipment and more.

## TECHNICAL SPECIFICATIONS

Item	Description	
	TMG-AJX22	TMG-AJX35
Capacity	22 tons	35 Tons
Min. Lift Height (in.)	8-7/16 in.	9-5/8 in.
Max. Lift Height (in.)	16-15/16 in.	19-5/16 in.
Screw Top Adjustment(in.)	4-1/8 in.	4-1/2 in.
Operation	Air	Air
Working Pressure (PSI)	100 to 175	100 to 175
Air Inlet Size (in. ZG)	1/4in.	1/4in.
Safety Valve	Yes	Yes
Base L x W (in.)	21.73in. x 12.44in.	21.73in. x 12.44in.

Ensure that the air source can dedicate 100-175 psi to each jack operated. A minimum of 110 psi air pressure is required to raise rated capacity load.

## GENERAL SAFETY RULES

- ⚠ WARNING: Read and understand all instructions.** Failure to follow all instructions listed below may result in serious injury.
- ⚠ CAUTION: Do not allow persons to operate or assemble this jack until they have read this manual and have developed a thorough understanding of how the jack works.**
- ⚠ WARNING: The warnings, cautions, and instructions discussed in this instruction manual cannot cover all possible conditions or situations that could occur.** It must be understood by the operator that common sense and caution are factors that cannot be built into this product, but must be supplied by the operator.

## GENERAL SAFETY RULES IMPORTANT SAFETY CONSIDERATIONS

### JACK USE AND CARE

- **Do not modify the Jack in any way.** Unauthorized modification may impair the function and/or safety and could affect the life of the equipment. There are specific applications for which the Jack was designed.
- **Always check of damaged or worn out parts before using the Jack.** Broken parts will affect the Jack operation. Replace or repair damaged or worn parts immediately.
- **Store idle Jack.** When Jack is not in use, store it in a secure place out of the reach of children. Inspect it for good working condition prior to storage and before re-use.
- **Not for use by children** or people with reduced mental capacity.
- **Do not use under the influence of drugs or alcohol.**
- **Ensure children and other bystanders are kept at a safe distance** when using product.

### INSPECTION

- Inspect the jack carefully before each use. Ensure the jack is not damaged, excessively worn, or missing parts.
- Do not use the jack unless it is properly lubricated.
- Using a jack that is not in good clean working condition or properly lubricated may cause serious injury.
- Inspect the work area before each use. Make sure it is free and clear of any potential hazards.


### **DO NOT OPERATE OR REPAIR THIS EQUIPMENT WITHOUT READING THIS MANUAL.**

To maintain the Service Jack and user safety, the responsibility of the owner is to read and follow these instructions.

- Inspect the service jack for proper operation and function.
- Keep instructions readily available for equipment operators.
- Make certain all equipment operators are properly trained; understand how to safely and correctly operate the unit.
- Allow unit operation only with all parts in place and operating properly.
- Use only genuine replacement parts.
- Service and maintain the unit only with authorized or approved replacement parts; negligence will make the jack unsafe for use and void the warranty.
- Carefully inspect the unit on a regular basis and perform all maintenance as required.
- Store these instructions in the handle of your jack.
- Keep all decals on the unit clean and visible.

## SAFETY

Always follow safety precautions when installing and operating this jack. Keep all decals on the unit clean and visible. Before proceeding ensure that you fully understand and comprehend the full contents of this manual. Failure to operate this equipment as directed may cause injury or death. The distributor is not responsible for any damages or injury caused by improper use or neglect.



**THIS IS A LIFTING DEVICE ONLY!**

- This jack is designed only for lifting part of the total vehicle.
- Do not move or dolly the vehicle while on the jack.
- The vehicle must be supported after lifting immediately by appropriately rated jack stands.
- NEVER go under a vehicle that is not supported with appropriately rated jacks stands.
- Use wheel chocks or other blocking device on opposing wheels before using jack stands.

### **⚠ WARNING!**

#### **Always use Jack Stands!**

**DO NOT USE** wood blocks or any other non-approved load sustaining devices. The manufacturer only warrants loads to be sustained by jack stands that meet current ASME standards.

**DO NOT USE** wood blocks or any other non-approved lifting devices for a means of lifting with the jack and or load being raised. Failure to heed these warnings may cause injury or death.

## SAFETY MARKINGS

### **⚠ WARNING!**

1. Study, understand, and follow all instructions before operating this device.
2. Do not exceed rated capacity.
3. Use only on hard, level surfaces, with less than 3 degrees of slope.
4. Lifting device only. Immediately after lifting, support the vehicle with appropriate means.
5. Do not move or dolly the vehicle while on the jack.
6. Lift only on areas of the vehicle as specified by the vehicle manufacturer.
7. No alterations shall be made to this product.
8. Only attachments and/or adapters supplied by the manufacturer shall be used.
9. Do not get under or allow anyone under the vehicle until it has been supported by jack stands.
10. Center load on saddle prior to lifting.
11. Use wheel chocks or other blocking device on opposing wheels before using jack.
12. Never use on a lawn mower or lawn tractor.
13. Do not use this jack for any use other than the manufacturer specified usage.
14. Do not rock the vehicle while working on or around equipment.
15. The following are not recommended for supporting on this equipment: Foundations, Homes, Mobile Homes, Trailers, RV's, Campers, nor Fifth Wheels, etc...
16. Failure to heed these markings may result in personal injury and/or property damage.

## GENERAL SAFETY INSTRUCTIONS

### **Position the Jack**

Position the jack to only lift on the areas of the vehicle as specified by the vehicle manufacturer.

### **Always Use Jack Stands**

After lifting the vehicle always support the load with appropriately rated vehicle Jacks stands before working on the vehicle.

### **Do Not Overload Jack**

Do not overload this jack beyond its rated capacity. Overloading this jack beyond its rated capacity can cause damage to or failure of the jack.

### **Always Use on Hard Level Surfaces**

This jack is designed only for use on hard level surfaces capable of sustaining the load. Use on unstable or other possible loss of load.

### **Chock and Block (Stabilize)**

Apply parking brake in vehicle before operating jack.

A chock is a wedge for steadying an object and holding it motionless, or for preventing the movement of a wheel Chock the wheel opposite the end being lifted.

When you block a load, you secure and support a load that is being lifted. The block(s) or stabilizer(s) should have a weight capacity that is greater than the weight of the load which is being lifted.

### **Center Load on Jack Saddle**

Center load on jack saddle before lifting vehicle.

Off-center loads and loads lifted when the jack is not level can cause loss of load or damage to the jack.

Do not raise or lower the vehicle unless tools, materials and people are clear.

When the lift is being lowered, make sure everyone is standing at least six feet away. Be sure there are no tools or equipment left under or around the jack before lowering.

### **Always lower the jack slowly.**

### **DO NOT USE THE JACK TO SUPPORT OR STABILIZE A LOAD.**

Using the jack to support or stabilize a load may result in unexpected movement and result in serious injury, being crushed and death. Always securely chock and block (stabilize) the load to be lifted. Never place any part of the body under a raised load without properly chocking and supporting the load.

### **Never use the jack on curved or tubular vehicle**

Bumpers, this will result in the vehicle slipping off the jack and falling, causing serious injury or death. Use a bumper lift to lift most vehicles with curved bumpers or plastic bumpers.

### **Wear ANSI-approved safety glasses and heavy-duty work gloves during use.**

### **Do not adjust the safety valve.**

### **Do not move or dolly vehicle while jack is in use.**

**Stay alert. Use caution and common sense when operating jack.** Do not use a jack when tired, incoherent, dizzy, under the use or drugs or alcohol.

### **Training**

Read this manual before use. Do not allow anyone who has not read this manual, and/or does not understand the requirements, to use the jack.

### **Spectators**

Do not allow bystanders around the jack or under the load supported only by the jack. -Do not allow anyone in the vehicle while the jack is in use. Keep all bystanders away from vehicle when in use.

### **Inspection**

Inspect the jack carefully before each use. Ensure the jack is not damaged, excessively worn, or missing parts. -Do not use the jack unless it is properly lubricated. -Using a jack that is not in good clean working condition or properly lubricated may cause serious injury.

### **Additional Notes:**

Save the receipt, warranty and these instructions.

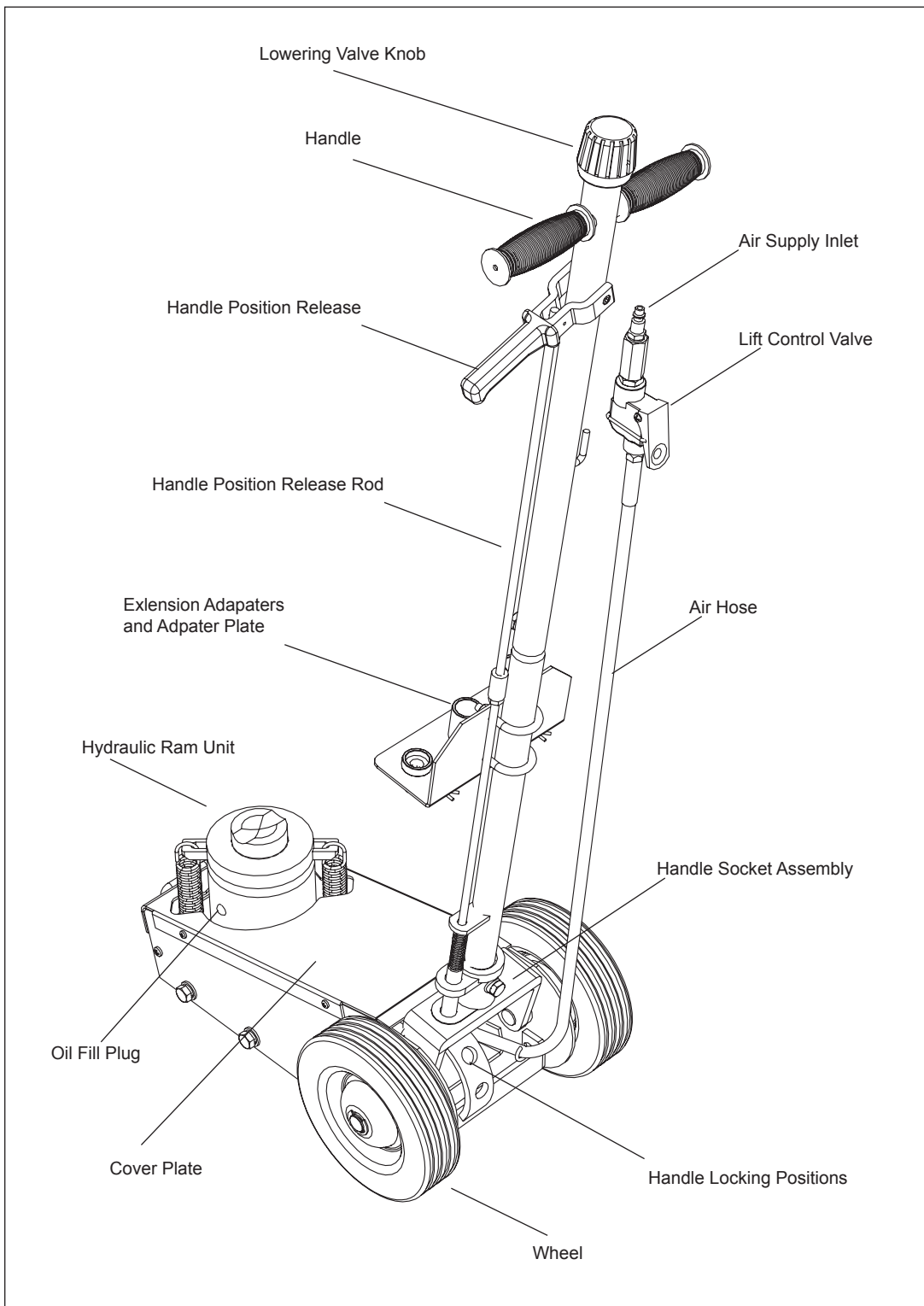
**Do not modify the jack in any way.** Unauthorized modification may impair the function and/or safety and could affect the life of the equipment. There are specific applications for which the jack was designed.

**Always check for damaged or worn out parts before using the jack.** Broken parts will affect the equipment operation. Replace or repair damaged or worn parts immediately.

When jack is not in use, store it in a secure place out of the reach of children. Inspect it for good working condition prior to storage and before re-use.

## ASSEMBLY

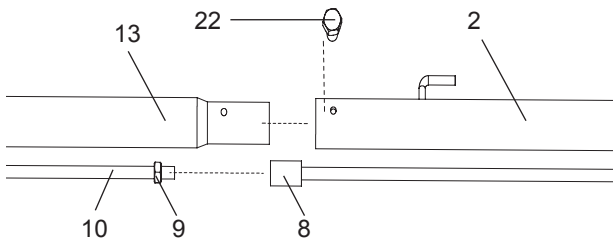
1. Familiarize yourself with the jack.



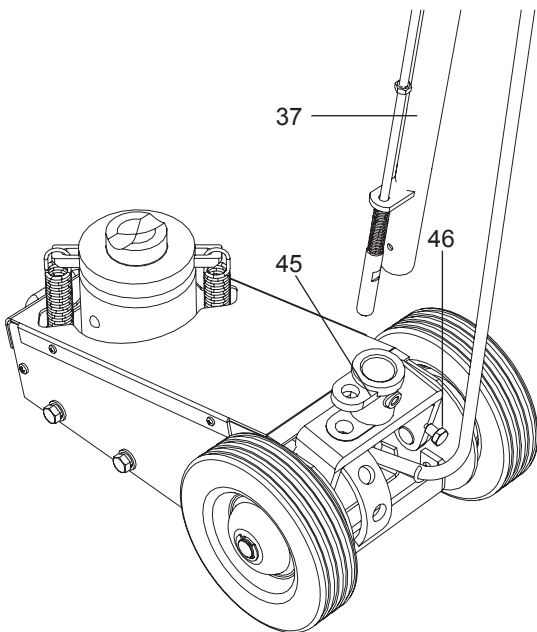
2. Refer to picture when performing this step. Take off the screw located on handle piece 1; Attach handle pieces 1 and 2 making sure to align the holes on both sections. Reinsert the screw and tighten. Check to that handle is in perfect alignment with internal lowering valve mechanism. (Handle lowering mechanism must be in perfect alignment or release mechanism will not work.).

3. Attach handle position release rod.

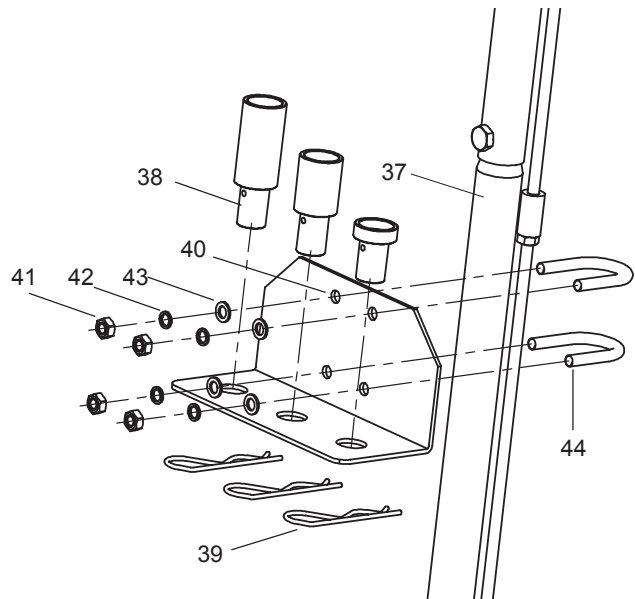
4. Check movement of both Pieces before next step.



5. Insert the handle (37) into handle sleeve (45) and affix the handle (37) using bolt (46).



6. Carefully place the adapter plate (40) onto the handle (37) with U-bolts (44), washer (43), lock washer (42) and nut (41). Place extension adapters on the plate and secure with spring clips (39).



### ⚠ WARNING!

Do not lift or carry jack by handle. Handle could dislodge and jack may fall, resulting in possible injury or property damage.

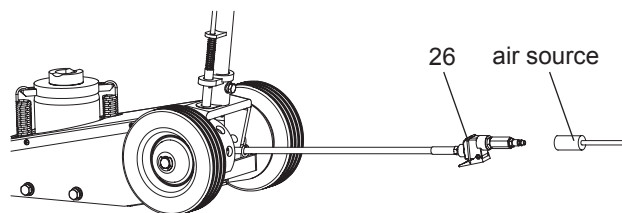
## SYSTEM AIR PURGE PROCEDURE

### IMPORTANT: BEFORE FIRST USE

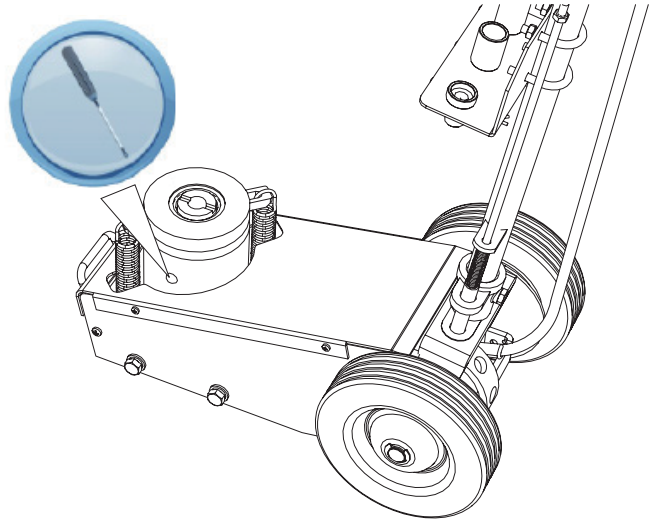
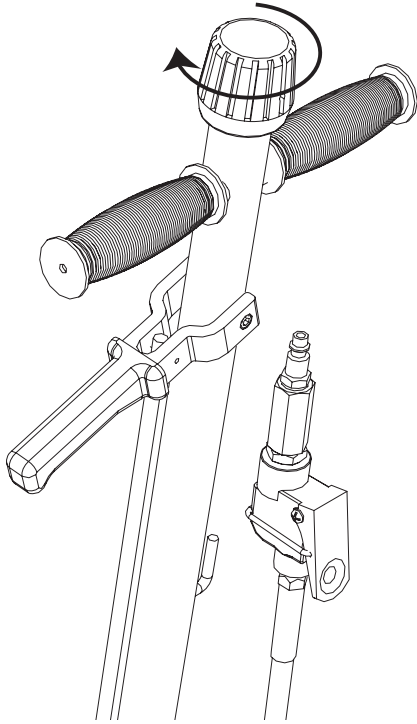
Perform the following Air Purge Procedure to remove any air that may have been introduced into the hydraulic system as a result of product shipment and handling. This step is to be completed without any weight on the jack.

All numbers in parenthesis ( ) refer to the index number from the parts breakdown.

1. Connect air supply inlet to air source.

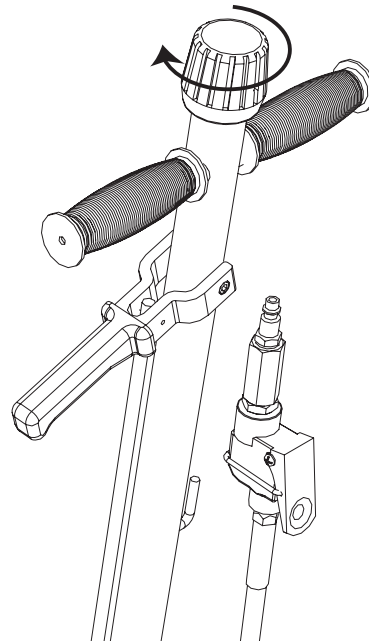
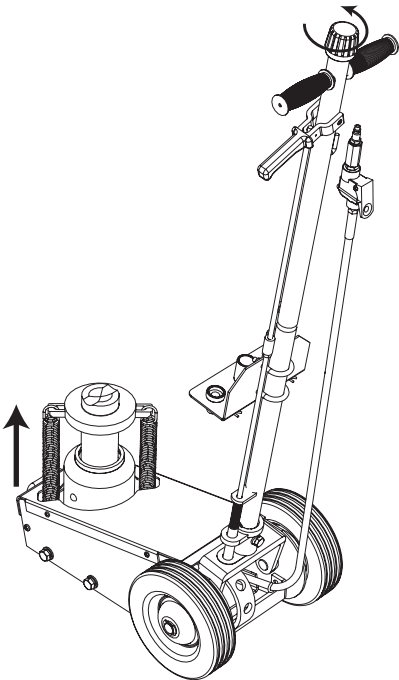


2. Close the release valve by turning the handle knob clockwise until firm resistance is felt.



5. Close the release valve by turning the handle knob clockwise until firm resistance is felt.

3. When the saddle reaches Max. Lift Height, then turn the handle knob counter-clockwise.



6. Jack is now ready for use. Check for proper pump action.

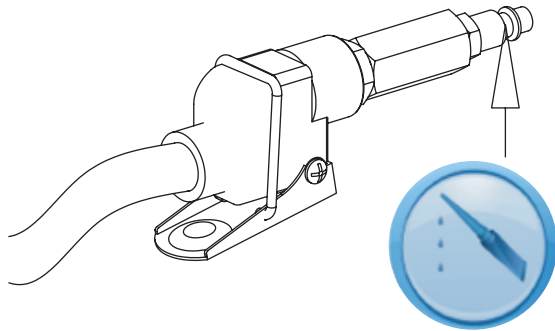
#### BEFORE USE

4. When the saddle reaches Min. Lift Height, with a flat blade screwdriver, push the oil fill plug slightly to the side to purge trapped air from system.

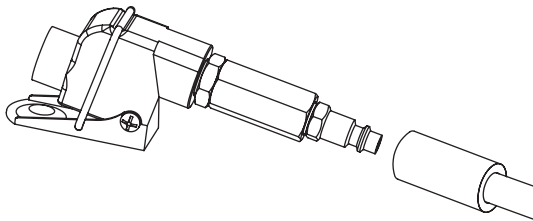
1. Before using this product, read the owner's manual completely and familiarize yourself thoroughly with the product and the hazards associated with its improper use.
2. Perform the air purge procedure. (See previous instructions for system purge procedure.)



3. Pour a teaspoon of good quality, air tool lubricant into the air supply inlet of the lift control valve. (See illustration) Connect to air supply and operate for 3 seconds to evenly distribute lubricant.



4. Check and that the pump operates smoothly before putting into service.
5. This product is fitting use standard 1/4" NPT air fitting. If changing the fitting is required, install a 1/4" NPT fitting of your choice, ensure that thread tape or compound is used to seal connection.

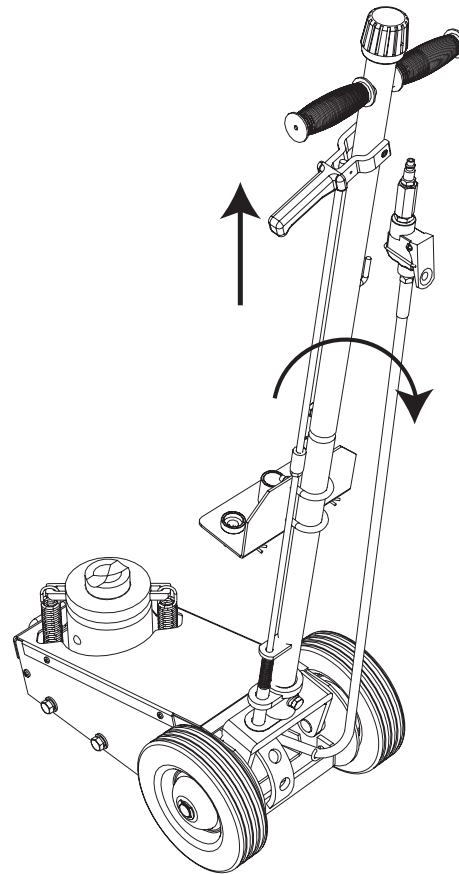


6. Inspect before each use. Do not use if bent, broken or cracked components are noted.

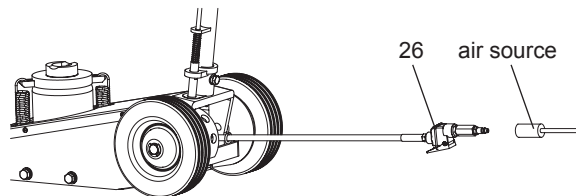
## OPERATION

### RAISING THE JACK

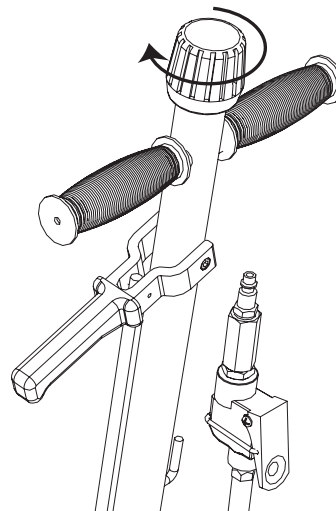
1. Block the vehicle's wheels for lifting stability. Secure the load to prevent inadvertent shifting and movement
2. Position the jack near desired lift point.
3. Set the Parking Brake in the vehicle.
4. Refer to the vehicle manufacturer owner's manual to locate approved lifting points on the vehicle. Position the jack so that the saddle is centered and will contact the load lifting point firmly.
5. Assemble the handle, ensure that spring clips align with slots.
6. Close the release valve by turning it clockwise until it is firmly closed.



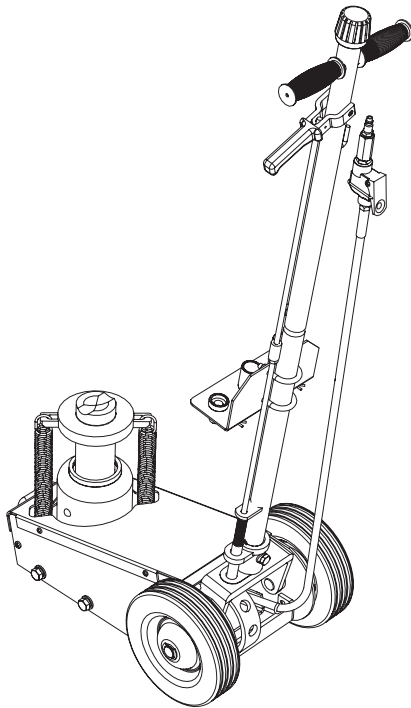
7. Connect air source to the air supply inlet (26).



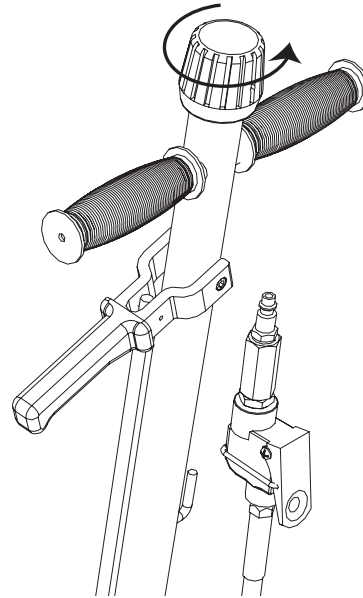
8. Close the release valve by turning the handle knob clockwise until firm resistance is felt.



9. Before raising the vehicle double check and verify the saddle is centered and also has full contact with the lifting point.
10. Squeeze air trigger to lift until saddle contacts load. (To stop air operation, simply release the grip on the lift control valve.) Continue to pump the jack to lift the vehicle to the desired height.



4. Carefully open the Release Valve by slowly turning the handle counterclockwise. (Do not allow bystanders around the jack or under the load when lowering the jack.)



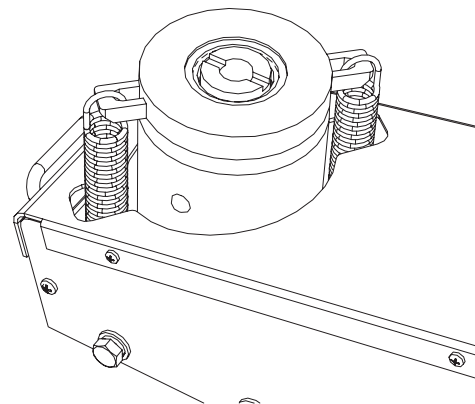
5. After removing jack from under the load, push ram and handle sleeve down to reduce exposure to rust and contamination.

11. After lifting, support the load with appropriately rated vehicle support stands before working on the vehicle.

**⚠ CAUTION:** NEVER WIRE, CLAMP OR OTHERWISE DISABLE THE LIFT CONTROL VALVE TO FUNCTION BY ANY MEANS OTHER THAN BY USING THE OPERATOR'S HAND. USE THE HANDLE PROVIDED WITH THIS PRODUCT OR AN AUTHORIZED REPLACEMENT HANDLE TO ENSURE PROPER RELEASE VALVE OPERATION. DO NOT USE EXTENSIONS ON THE AIR HOSE OR ON THE OPERATING HANDLE.

#### LOWERING THE JACK

1. Raise load high enough to allow clearance for the jack stands to be removed, then carefully remove jack stands.
2. Remove support stands.
3. Grasp the handle firmly with both hands. Securely hold on to the jack handle so your hands do not slip and ensure the release valve does not rapidly lower.



**⚠ WARNING:** USE EXTREME CAUTION WHEN LOWERING THE JACK. THE JACK HANDLE MAY TURN RAPIDLY. OPENING THE RELEASE VALVE TOO FAST CAN CAUSE THE JACK TO LOWER RAPIDLY. FAILURE TO HEED THESE WARNINGS COULD CAUSE SERIOUS INJURY OR DEATH.

## MAINTENANCE INSTRUCTIONS

If you use and maintain your equipment properly, it will give you many years of service. Follow the maintenance instructions carefully to keep your equipment in good working condition. Never perform any maintenance on the equipment while it is under a load.

### Inspection

You should inspect the product for damage, wear, broken or missing parts (e.g.: pins) and that all components function before each use. Follow lubrication and storage instructions for optimum product performance.

### Binding

If the product binds while under a load, use equipment with equal or a larger load capacity to lower the load safely to the ground. After un-binding; clean, lubricate and test that equipment is working properly. Rusty components, dirt, or worn parts can be causes of binding. Clean and lubricate the equipment as indicated in the lubrication section. Test the equipment by lifting without a load. If the binding continues contact Customer Service.

### Cleaning

If the moving parts of the equipment are obstructed, use cleaning solvent or another good degreaser to clean the equipment. Remove any existing rust, with a penetrating lubricant.

### Lubrication

This equipment will not operate safely without proper lubrication. Using the equipment without proper lubrication will result in poor performance and damage to the equipment. Some parts in this equipment are not self-lubricating inspect the equipment before use and lubricate when necessary. After cleaning, lubricate the equipment using light penetrating oil, lubricating spray.

- Use a good lubricant on all moving parts.
- For light duty use lubrication once a month.
- For heavy and constant use lubrication recommended every week.
- NEVER USE SANDPAPER OR ABRASIVE MATERIAL ON THESE SURFACES!

### Rust Prevention:

Check rams and pump plungers on the power unit assemblies daily for any signs of rust or corrosion. Without a load lift the equipment as high as it goes and look under and behind the lifting points. If signs of rust are visible clean as needed.

### Grease Fittings

Some models contain grease fittings the will regularly need to be greased and lubricated.

### How the Jack Operates

With release valve closed, an upward stroke of the jack handle draws oil from the reservoir tank into the plunger cavity. Hydraulic pressure holds the valve closed, which keeps the oil in the plunger cavity. A downward stroke of the jack handle releases oil into the cylinder, which forces the ram out. This raises the saddle. When the ram reaches maximum extension, oil is bypassed back into the reservoir to prevent an over extended ram stroke and possible damage to the jack. Opening the release valve allows oil to flow back into reservoir. This releases hydraulic pressure on the ram, which results in lowering the saddle.

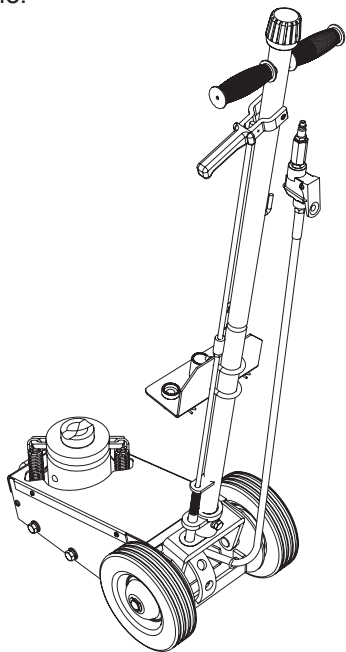
### Storing the Jack

1. Lower the lifting arm.
2. Place the handle in the upright position.
3. Store in a dry location, recommended indoors.

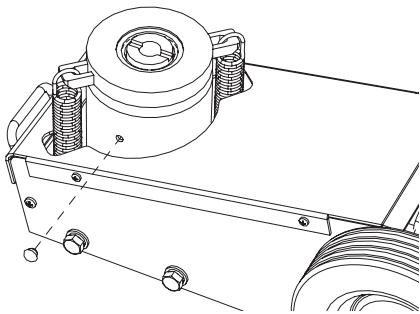
Note: If the jack is stored outdoors, be sure to lubricate all parts before and after use to ensure the jack stays in good working condition. Always store jack in the fully retracted position when stored in outdoor or caustic environments that can cause corrosion and/or rust.

## TO ADD JACK OIL

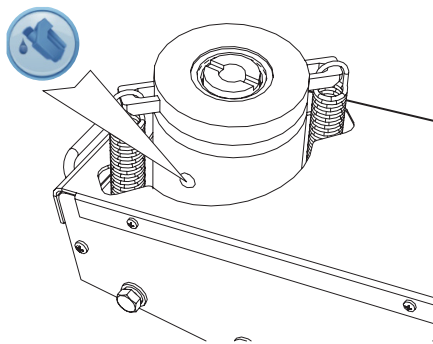
1. Position the jack on level ground and lower the saddle.



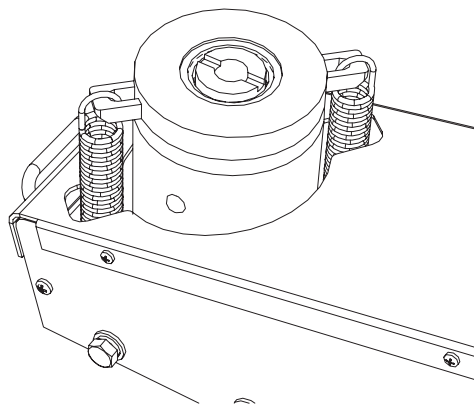
2. Remove the oil plug.



3. Fill the oil case until oil level is just beneath the lower rim of the oil fill hole.



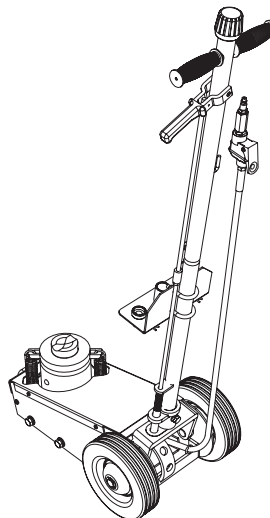
4. Replace oil plug.



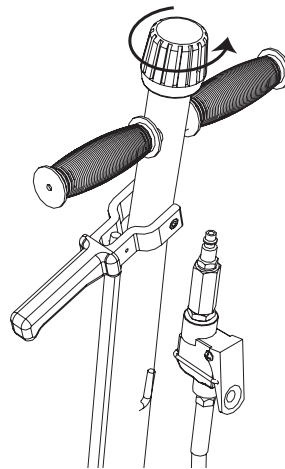
5. Perform the Air Purge Procedure.

## TO REPLACE JACK OIL

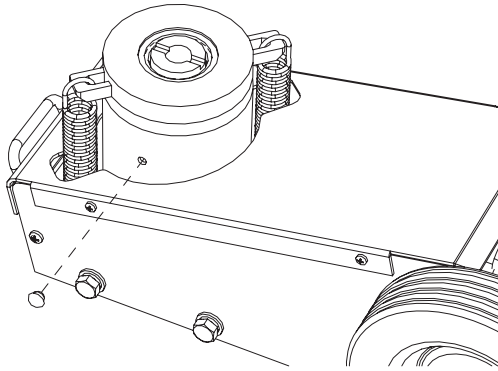
1. Position the jack on level ground and lower the saddle.



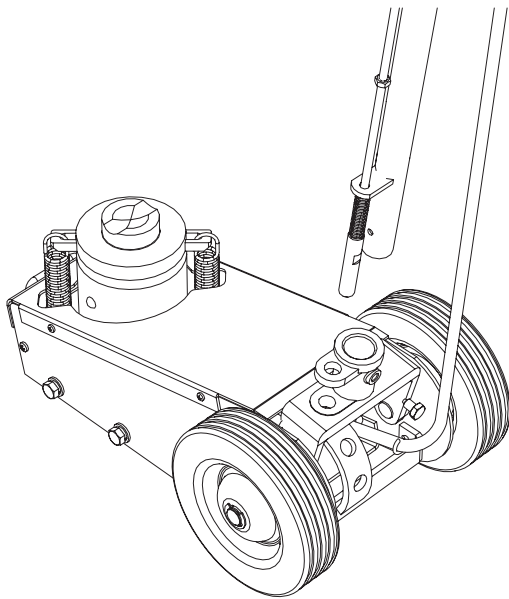
2. Open release valve by turning handle counter-clockwise (4 full turns).



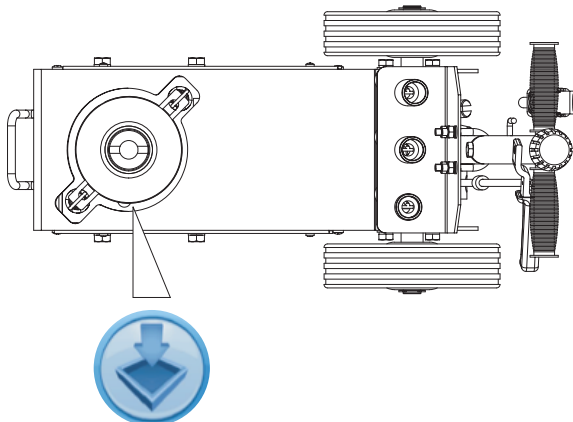
3. Remove the oil fill plug.



4. Remove the handle.

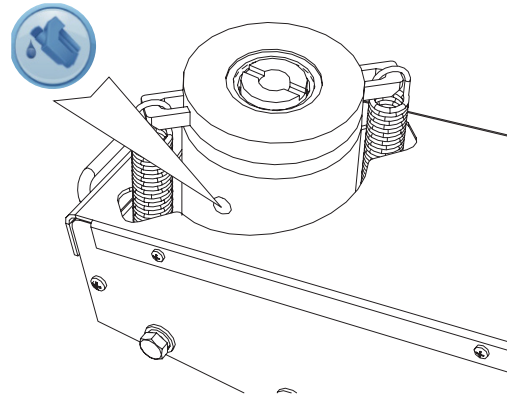


5. Turn the jack on its side so that old oil will drain from the oil fill hole.

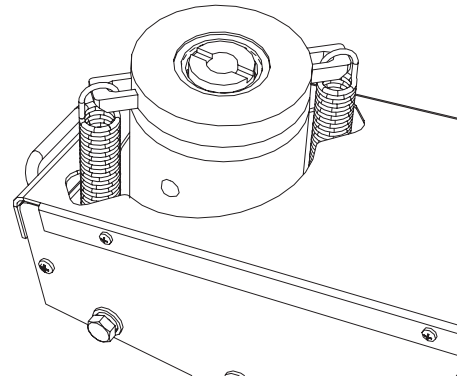


6. Fill the oil case until oil level is just beneath the lower rim.

**KEEP DIRT AND OTHER MATERIAL CLEAR WHEN POURING.**



7. Replace oil plug.



8. Perform the Air Purge Procedure.

**⚠ ADDITIONAL WARNINGS:**

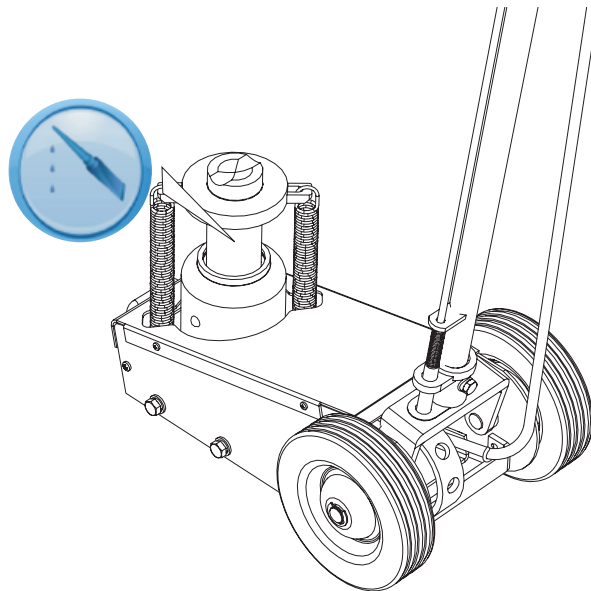
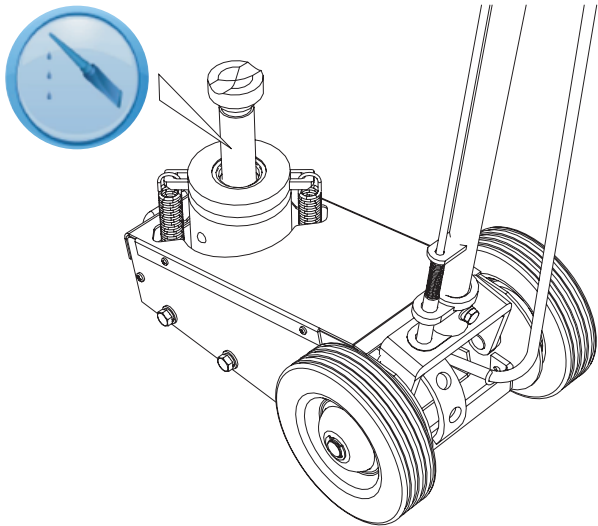
- DO NOT USE MOTOR OIL IN THE JACK.
- ONLY USE ANTI-FOAMING JACK OIL.
- ALWAYS USE A GOOD GRADE HYDRAULIC JACK OIL.
- DO NOT USE HYDRAULIC BRAKE FLUID, ALCOHOL, GLYCERINE, DETERGENT, MOTOR OIL OR DIRTY OIL.
- USE OF A NON-RECOMMENDED FLUID CAN CAUSE DAMAGE TO A JACK.
- AVOID MIXING DIFFERENT TYPES OF FLUID AND NEVER USE BRAKE FLUID, TURBINE OIL, TRANSMISSION FLUID, MOTOR OIL OR GLYCERIN. IMPROPER FLUID CAN CAUSE PREMATURE FAILURE OF THE JACK AND THE POTENTIAL FOR SUDDEN AND IMMEDIATE LOSS OF LOAD.
- DISPOSE OF HYDRAULIC FLUID IN ACCORDANCE WITH LOCAL REGULATIONS.

**Additional Bottle Jack Notes:**

- Periodically check the pump piston and ram for signs of rust or corrosion. Clean as needed and wipe with an oil cloth. NEVER USE SANDPAPER OR ABRASIVE MATERIAL ON THESE SURFACES!
- When not in use, store the jack with pump piston and ram fully retracted.

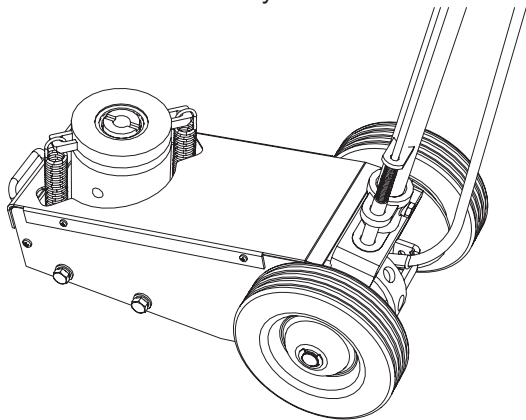
## LUBRICATION

Periodically check the pump piston and ram for signs of rust or corrosion. Clean as needed and wipe with an oil cloth. NEVER USE SANDPAPER OR ABRASIVE MATERIAL ON THESE SURFACES!

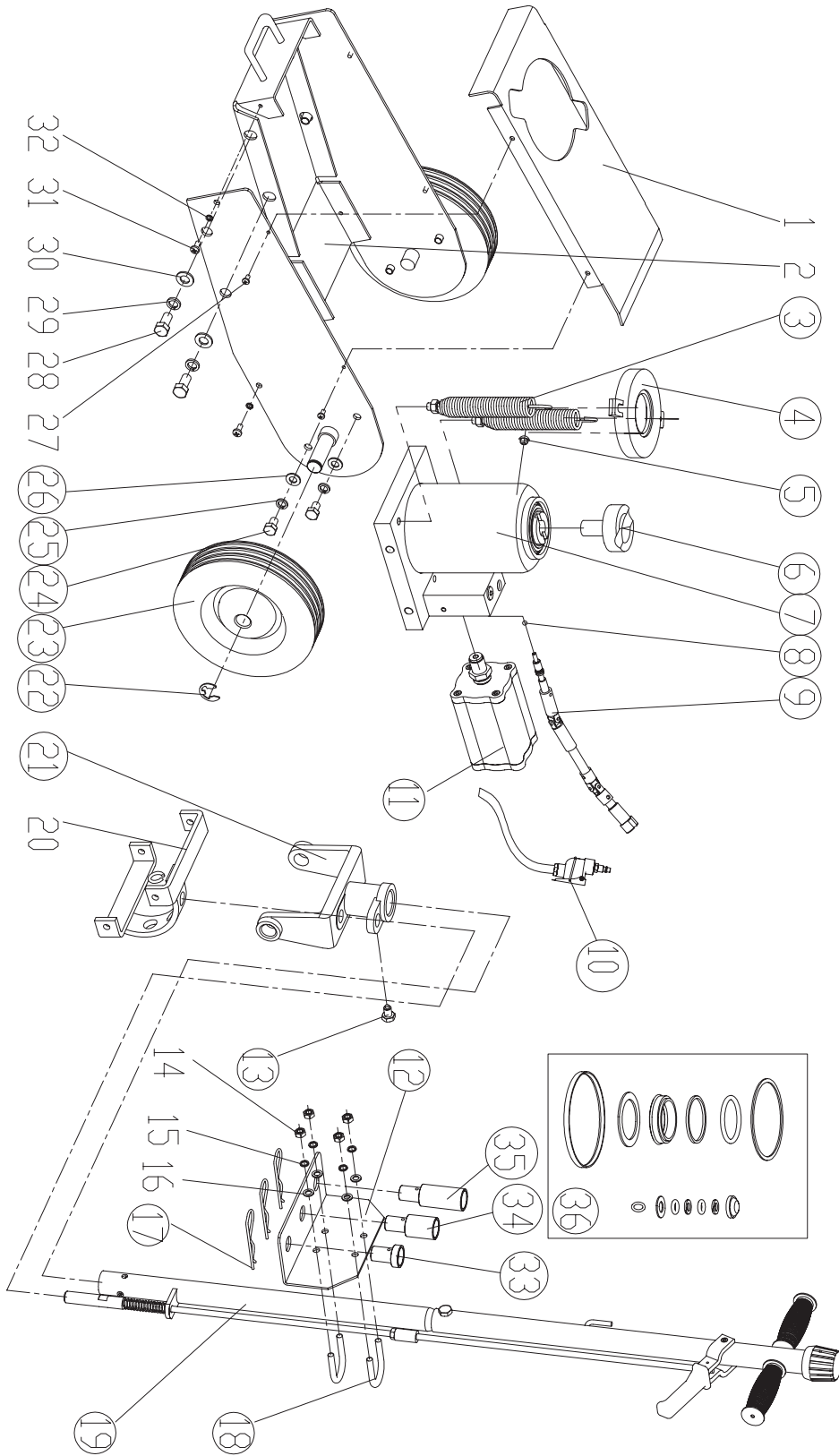


## Storage

When not in use, store the jack with pump piston, hydraulic ram and saddle fully retracted.



**ASSEMBLY DIAGRAM**



REF#	TQ22001 PART#	TQ35001 PART#	DESCRIPTION	QTY
1			Cover plate	1
2			Base plate	1
3	TQ22001.1-09(ASM)	TQ35001.1-03(ASM)	Spring assembly	2
4			Spring holder	1
5	QYL8-29	QYL8-29	Oil plug	1
6	TQ22001.1-01a	TQ22001.1-01a	Saddle Ø63x60mm	1
7	TQ22001.1	TQ35001.1	Power unit	1
8	GB308-6	GB308-6	Steel ball Ø6mm	1
9	TQ22001.1.2a(ASM)	TQ22001.1.2a(ASM)	Release valve assembly	1
10	TQ22001.9a(ASM)	TQ22001.9a(ASM)	Hose with pneumatic trigger switch	1
11	TY20002.1.2	TY20002.1.2	Air pump	1
12	TQ22001-02	TQ22001-02	Saddle base plate	1
13	TQ22001-04	TQ22001-04	Handle socket screw M10X16mm	1
14			Nut M8	4
15			Spring Washer M8	4
16			Washer M8	4
17	TQ22001-03	TQ22001-03	Roundwire snap ring Ø3X65mm	3
18	TQ22001-01(ASM)	TQ22001-01(ASM)	U-bolt M8	2
19	TQ22001.3b	TQ22001.3b	Handle assembly	1
20	TQ22001.4b	TQ22001.4b	Connecting plate component	1
21	TQ22001-05	TQ22001-05	Handle socket	1
22	GB896-15	GB896-15	Side-mount external retaining ring Ø15mm	2
23	TQ22001.5	TQ22001.5	Tire assembly	2
24	GB5781-M10X16	GB5781-M10X16	Hex head bolt M10X16mm	4
25	GB93-10	GB93-10	Spring washer M10	4
26	GB97.1-10	GB97.1-10	Washer M10	4
27			Pan head phillips machine screw M5X12mm	4
28			Hex head bolt M12X25mm	4
29			Washer M12	4
30			Spring washer M12	4
31			Pan head phillips machine screw M6X12mm	4
32			Washer M6	4
33	TQ22001.1-01b	TQ22001.1-01b	Saddle Ø48x60mm	1
34	TQ22001.1-01c	TQ22001.1-01c	Saddle Ø48x100mm	1
35	TQ22001.1-01d	TQ22001.1-01d	Saddle Ø48x140mm	1
36	TQ22001.MF	TQ35001.MF	Seal kit	1



## TROUBLESHOOTING

JACK WILL NOT LIFT LOAD	JACK WILL NOT HOLD LOAD	JACK WILL NOT LOWER	POOR JACK LIFTING	WILL NOT LIFT TO FULL EXTENSION	CAUSES AND SOLUTIONS
<b>X</b>	<b>X</b>		<b>X</b>		Release valve is not completely closed (Turn handle clockwise).
<b>X</b>					Weight Capacity Exceeded.
<b>X</b>			<b>X</b>		Air is in the hydraulics. Purge air from system.
<b>X</b>	<b>X</b>		<b>X</b>	<b>X</b>	Low oil level. Add oil as required.
		<b>X</b>			Oil reservoir is overfilled. Drain excessive oil. Lubricate moving parts.
		<b>X</b>			Jack is binding or foreign obstruction
<b>X</b>	<b>X</b>		<b>X</b>		Power unit malfunctioning. Replace the power unit.

Safe Operating Temperature is between 40°F – 105°F (4°C - 41°C)

### WARRANTY INFORMATION:

Please refer to our website for detailed warranty conditions and coverage.

For the most up-to-date and comprehensive warranty information, visit [www.tmgindustrial.com](http://www.tmgindustrial.com)