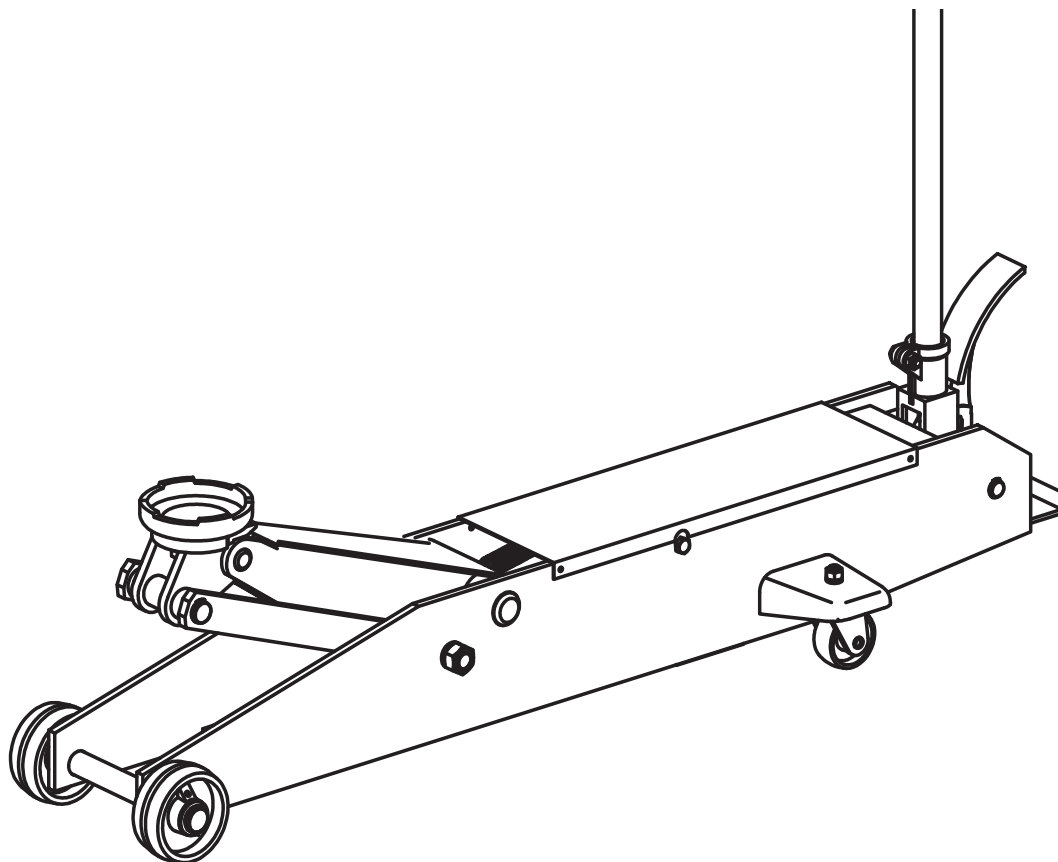


10 TON LIFTING CAPACITY LONG CHASSIS SERVICE JACK



- Please read and understand the product manual completely before assembly
- Check against the parts list to make sure all parts are received
- Wear proper safety goggles or other protective gears while in assembly
- Do not return the product to dealer. They are not equipped to handle your requests.

Missing parts or have questions on assembly?
Please call: 1-877-761-2819 or email: cs@tmgindustrial.com

INTENDED USE


This heavy-duty jack has a single hydraulic pump piston that effortlessly raises the lift arm. Pump piston dust shields and wiper seals protect the hydraulic system from contaminants. The jack features an overload valve bypass system to prevent jack damage and user injury. Compact design allows use in confined spaces. Easily fits under low vehicles.

TECHNICAL SPECIFICATIONS

ITEM	CAPACITY	Min. Height(mm)	Max. Height(mm)	N.W.(kgs)
TMG-AJL10	10 Ton	160	560	129

SAFETY

Always follow safety precautions when installing and operating this jack. Keep all decals on the unit clean and visible. Before proceeding ensure that you fully understand and comprehend the full contents of this manual. Failure to operate this equipment as directed may cause injury or death. The distributor is not responsible for any damages or injury caused by improper use or neglect.



THIS IS A LIFTING DEVICE ONLY!

- This jack is designed only for lifting part of the total vehicle.
- Do not move or dolly the vehicle while on the jack.
- The vehicle must be supported after lifting immediately by appropriately rated jack stands.
- NEVER go under a vehicle that is not supported with appropriately rated jacks stands.
- Use wheel chocks or other blocking device on opposing wheels before using jack stands.

⚠ WARNING!

Always use Jack Stands!

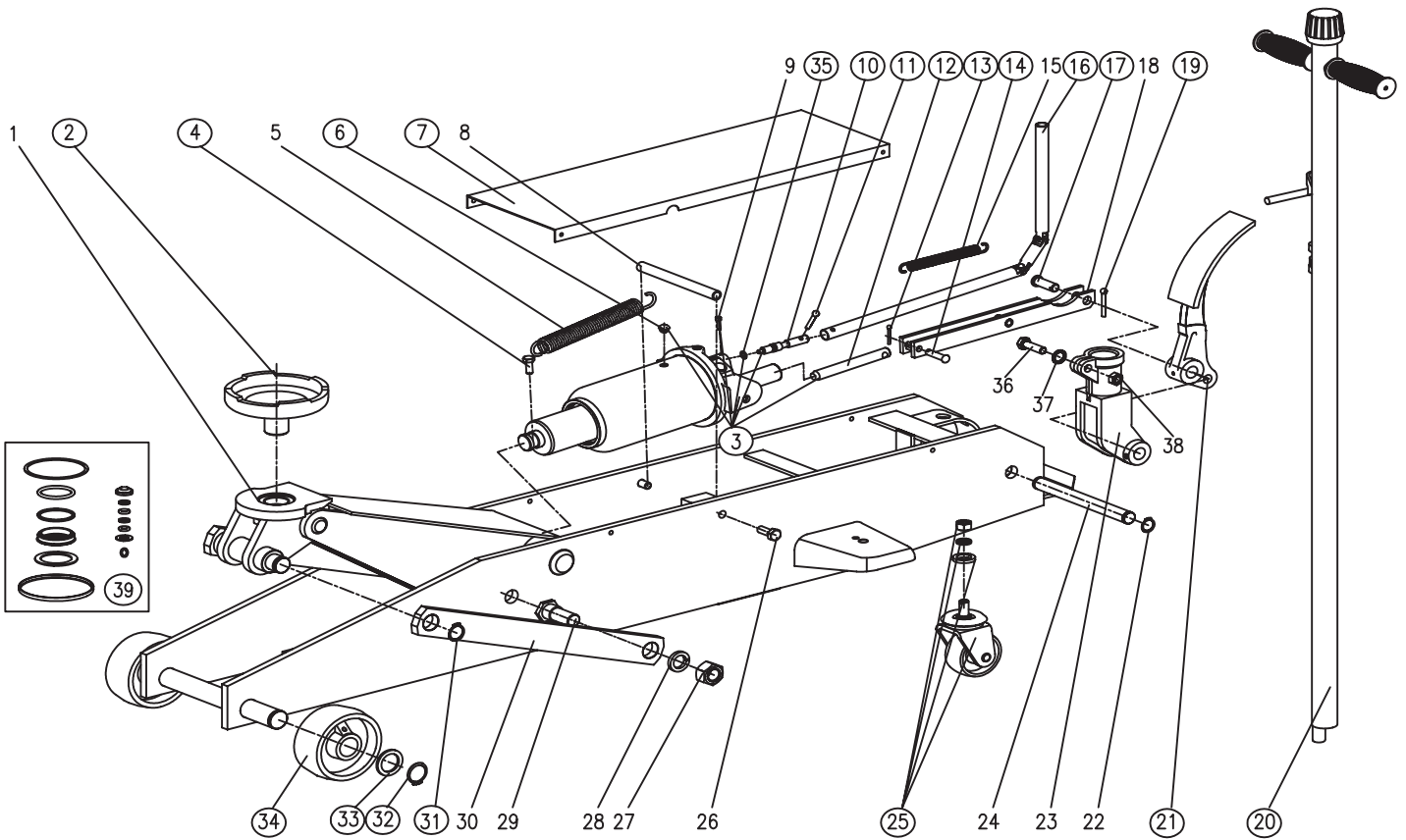
DO NOT USE wood blocks or any other non-approved load sustaining devices.

DO NOT USE wood blocks or any other non-approved lifting devices for a means of lifting with the jack and or load being raised. Failure to heed these warnings may cause injury or death.

⚠ WARNING!

1. Study, understand, and follow all instructions before operating this device.
2. Do not exceed rated capacity.
3. Use only on hard, level surfaces, with less than 3 degrees of slope.
4. Lifting device only. Immediately after lifting, support the vehicle with appropriate means.
5. Do not move or dolly the vehicle while on the jack.
6. Lift only on areas of the vehicle as specified by the vehicle manufacturer.
7. No alterations shall be made to this product.
8. Only attachments and/or adapters supplied by the manufacturer shall be used.
9. Do not get under or allow anyone under the vehicle until it has been supported by jack stands.
10. Center load on saddle prior to lifting.
11. Use wheel chocks or other blocking device on opposing wheels before using jack.
12. Never use on a lawn mower or lawn tractor.
13. Do not use this jack for any use other than the manufacturer specified usage.
14. Do not rock the vehicle while working on or around equipment.
15. The following are not recommended for supporting on this equipment: Foundations, Homes, Mobile Homes, Trailers, RV's, Campers, nor Fifth Wheels, etc...
16. Failure to heed these markings may result in personal injury and/or property damage.

ASSEMBLY DIAGRAM



No.	Description	QTY
1	Frame Assembly	1
2	Saddle	1
3	Power Unit	1
4	Socket Head Screw M8x20mm	1
5	Spring For Lifting Arm	1
6	Oil Plug	1
7	Cover	1
8	Shaft For Frame	1
9	Socket Head Screw M4x6mm	1
10	Release Valve Assembly	1
11	Cotter Pin Ø5x30mm	1
12	Pump Plunger	1
13	Roundwire Snap Ring Ø1.2x30mm	1
14	Pump Pin	1
15	Spring For Plunger	1
16	Universal Joint Assembly	1
17	Pin For Plunger Bar	1
18	Plunger Bar	1
19	Roundwire Snap Ring Ø1.4x26mm	1
20	Handle Assembly	1

No.	Description	QTY
21	Foot pedal	1
22	C-clip M18	1
23	Handle socket	1
24	Shaft for handle socket	1
25	Rear caster assembly	2
26	Hex bolt M10x25mm	2
27	Nut M20	2
28	Spring washer M20	2
29	Pin for connected bar	2
30	connected bar	2
31	C-clip #1	2
32	C-clip #2	2
33	Washer for front wheel	2
34	Front wheel assembly	2
35	Steel ball Ø6mm	1
36	Bolt M10x40mm	1
37	Washer M10	1
38	Spring washer M10	1
39	Seal kit	1

TROUBLE SHOOTING

Jack will not lift load	Jack will not hold load	Jack will not lower	Poor jack lifting	Will not lift to full extension	Causes and Solutions
X	X		X		Release valve is not completely closed. (Turn handle clockwise)
X					Weight Capacity Exceeded.
X			X		Air is in the hydraulics. Purge air from system.
X	X		X	X	Low oil level. Add oil as required.
		X			Oil reservoir is overfilled. Drain excessive oil. Lubricate moving parts.
		X			Jack is binding or foreign obstruction.
X	X		X		Power unit malfunctioning. Replace the power unit.

Safe Operating Temperature is between 40°F – 105°F (4°C - 41°C)

WARRANTY INFORMATION:

Please refer to our website for detailed warranty conditions and coverage.

For the most up-to-date and comprehensive warranty information, visit www.tmgindustrial.com