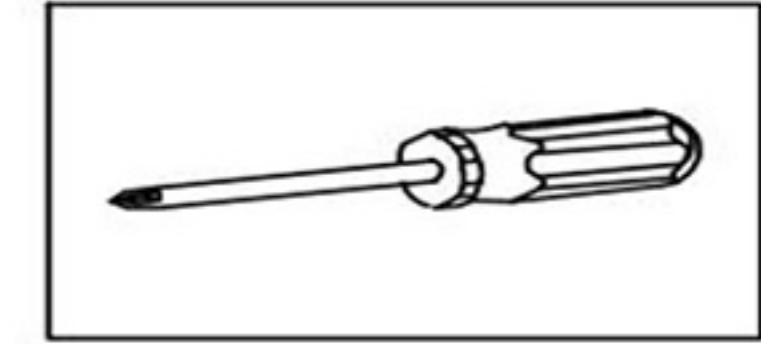
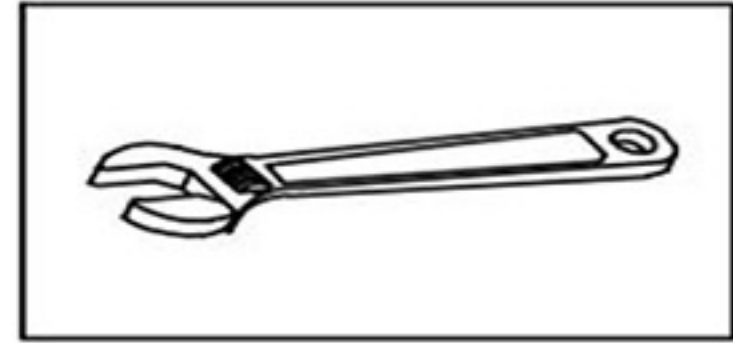


Pendant Light Installation

Tools Required:



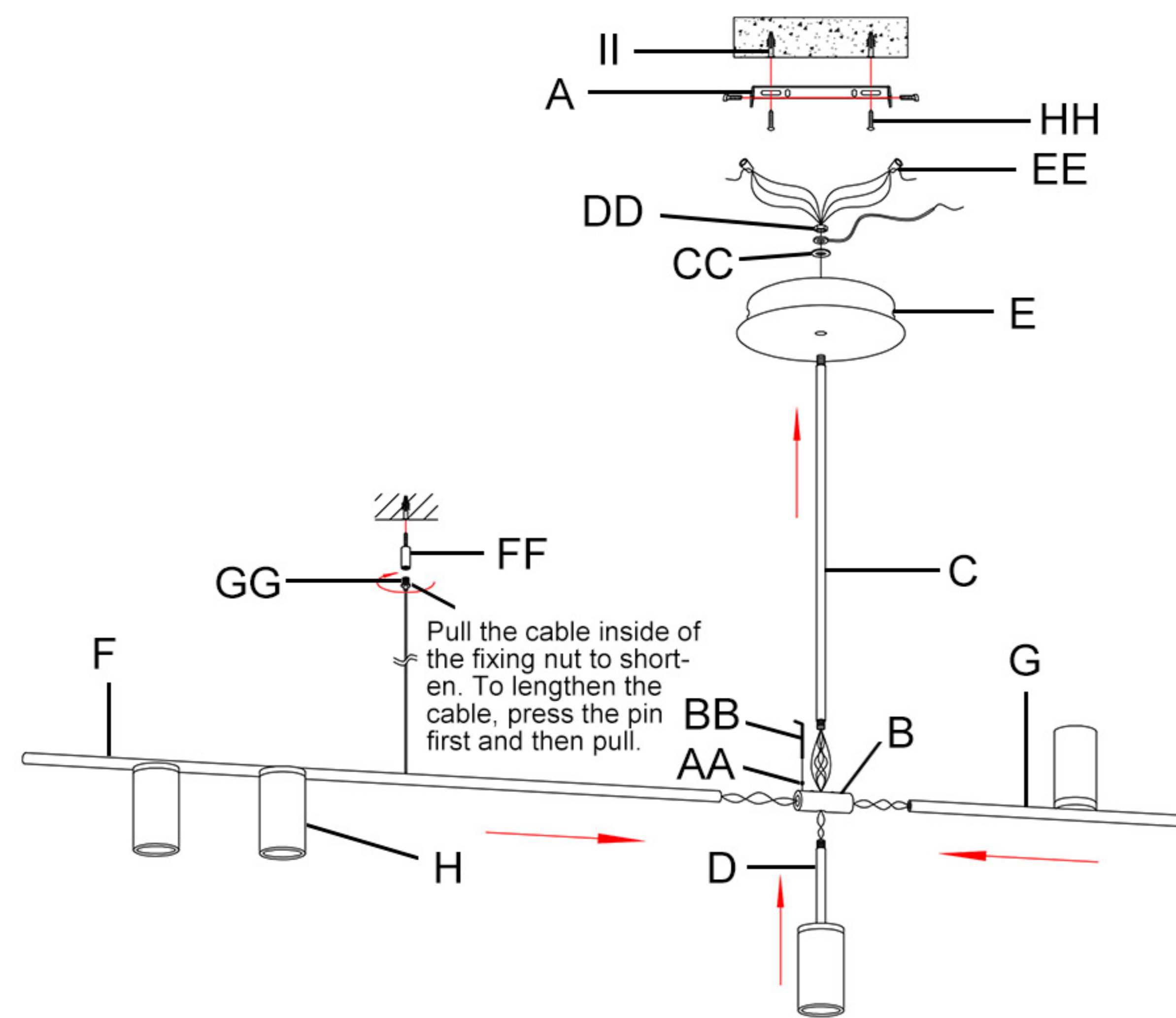
Adjustable Wrench

Phillips Screwdriver

Before Installation

1. Please read these instructions before assembling or installing the product. **NOTE:** Installation by a licensed electrician is recommended.
2. Take out the fixture and the mounting package and make sure all parts are included. If any part is missing or damaged, please contact us.
3. All parts must be used as indicated in these instructions. Do not substitute any parts, leave parts out, or use any parts that are worn out or broken.
4. Do not disassemble the main body, as it has been installed & commissioned correctly & precisely before leaving the factory.
5. **IMPORTANT:** Turn off the main power at the circuit breaker and place the wall switch or pull chain in the "OFF" position.
6. Do not use bulbs with wattage greater than specified on this fixture.

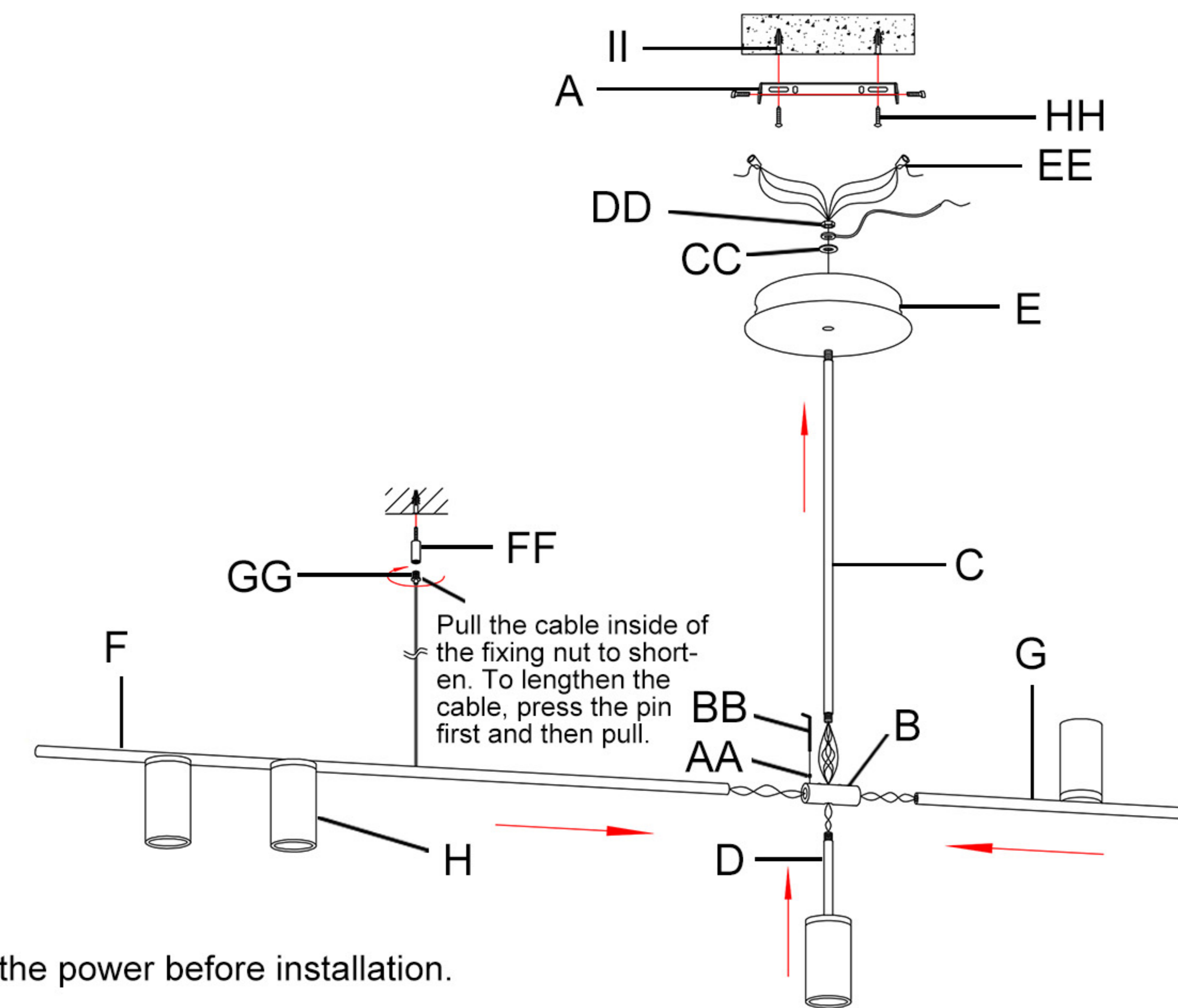
Parts List



Part	Name	Quantity
A	mounting strap	2
B	golden tube	1
C	upper central rod	1
D	bottom central rod	1
E	canopy	1
F	light arm a	1
G	light arm b	1
H	shade	4
AA	set screw	4

Part	Name	Quantity
BB	Allen key	1
CC	washer	1
DD	nut	1
EE	wire connector	2
FF	fixing nut	1
GG	pin	1
HH	screw	5
II	anchor	2

Installation Guide



1. Shut off the power before installation.
2. Fix the mounting strap (A) to ceiling.
3. Feed wires through the central hole of golden tube (B) from both ends and through the upper central rod (C). Insert the light arm a (F) and light arm b (G) into the golden tube (B) from both ends and fix the set screw (AA) with Allen key (BB).
4. Screw the upper central rod (C) and bottom central rod (D) tightly into the golden tube (B). Insert the wires and central rod through the canopy (E) and fix with washer (CC) and nut (DD).
5. Connect wires to wires matching the color. Then, connect the wire bundles with wire connectors (EE) to the corresponding wires in ceiling.
6. Attach the canopy (E) to the mounting strap (A) and fix with screws (HH).
7. Position and tighten the fixing nut (FF) to ceiling with screw (HH), and then screw the pin (GG) to fixing nut (FF).
8. Install light bulbs (**not included with the light fixture**).
9. Screw light shades (H) onto the lampholders and turn on the power.

Troubleshooting

Problem	Possible Cause	Corrective Action
Fixture does not light.	<ol style="list-style-type: none"> 1. Fixture may be wired incorrectly. 2. Worn or broken bulb. 3. Lamp socket or LED transformer (if applicable) may go bad. 	<ol style="list-style-type: none"> 1. Check wiring. 2. Replace bulb. 3. Replace lamp socket or LED transformer (if applicable).
Light bulb flickers.	<ol style="list-style-type: none"> 1. Switch Contacts are bad. 2. Wire connections are loose. 3. Light bulb socket may go bad. 	<ol style="list-style-type: none"> 1. Replace the switch. 2. Check wire connections. 3. Replace the socket.