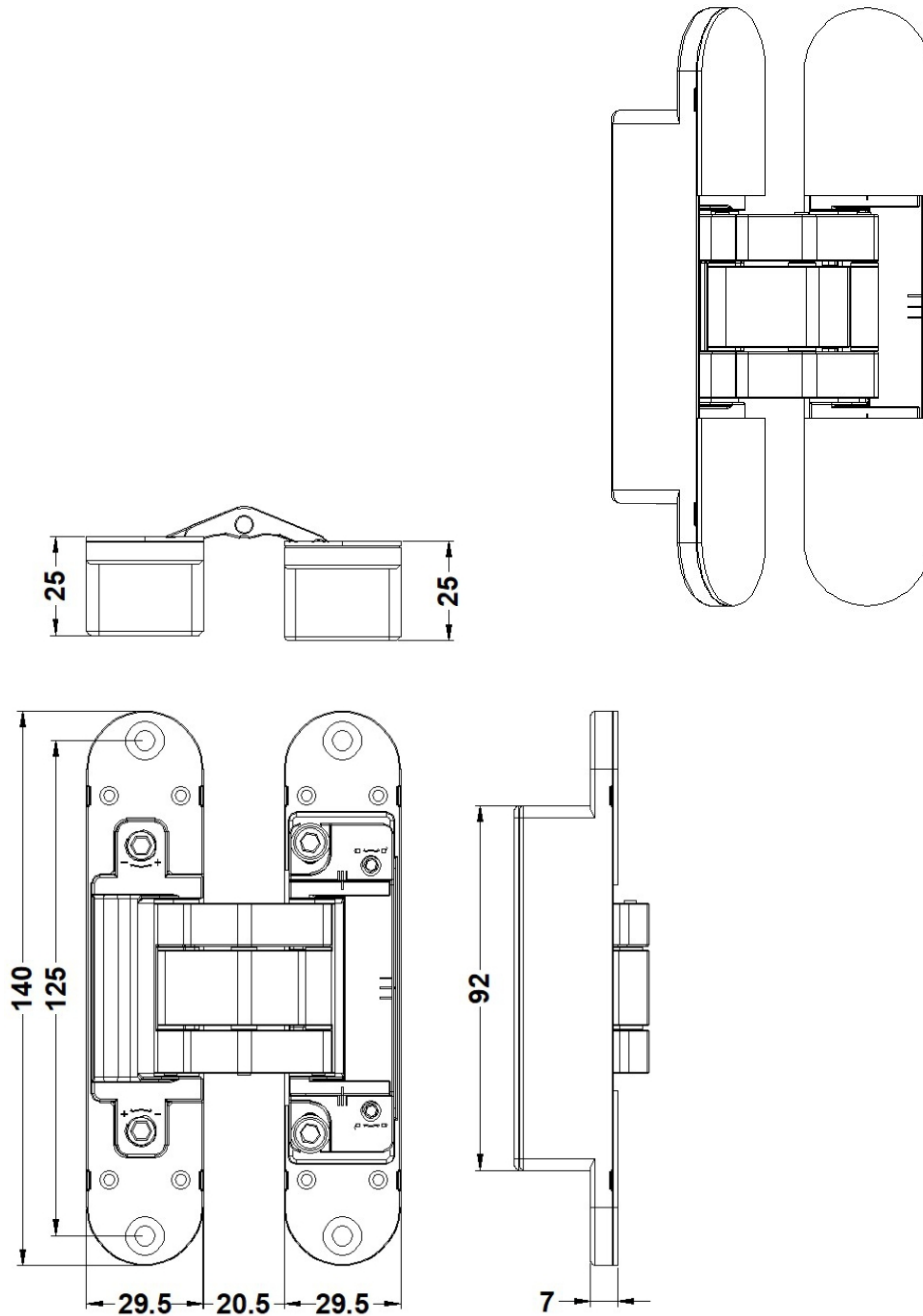




# Installation manual



The completely concealed hinge system



**Single piece load capacity:** 30kg

Opening angle:  $\leq 180^\circ$

Door width:  $\leq 940$

Door panel thickness:  $\geq 40\text{mm}$

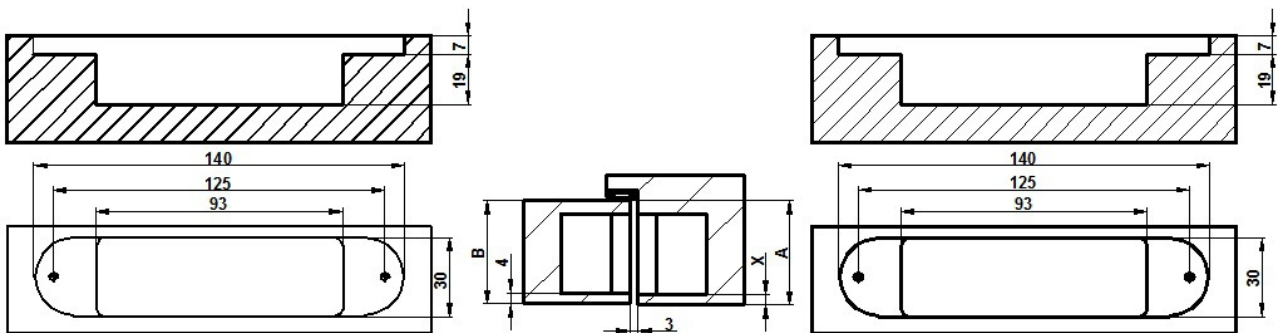
Adjustable performance:  $\pm 2.5\text{mm}$  up and down,  $\pm 1.5\text{mm}$  left and right,  
 $\pm 1\text{mm}$  front and back



# Installation manual

## 1

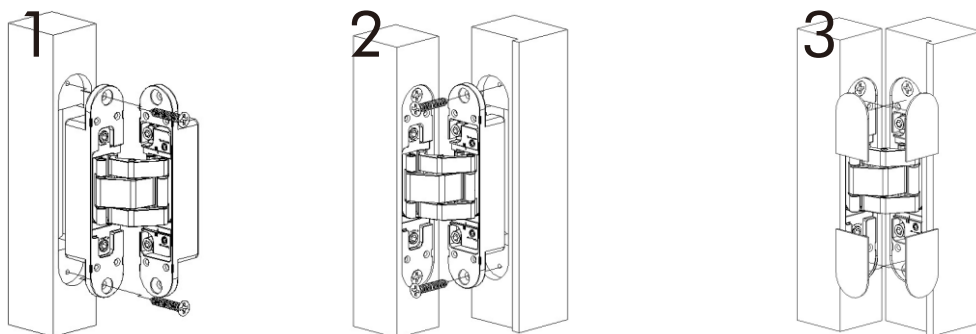
### Slotting on the door



Door leaf and frame opening size

- A=Depth of sealing strip to door frame edge
- B=door leaf thickness
- A-B+4=Measure X value
- X value range 4-5mm

## 2



1. Install the edge with the word "Door" as shown in Figure 1 into the opening of the door leaf, use a screwdriver to insert the product into the door leaf.
- 2- Install the corresponding position of the installed product door leaf into the already opened door frame as shown in Figure 2, tighten it with a cross screwdriver.
- 3-After installation and debugging, ensure that the hinge installation is firm and reliable, that the surface of the hinge is flush with the side of the door frame and door leaf.
4. Repeatedly open and close the door leaf multiple times, keep it clean, if necessary, apply a small amount of lubricating oil.

## 3

### Adjustment

**Left and right adjustment:**  
Use a hex wrench to adjust A/A', increase the door gap clockwise, and reduce the door gap counterclockwise. Attention: Adjustments need to be made synchronously.

**Front and rear adjustment:**  
unscrew B/B counterclockwise to adjust, and lock it after adjustment;

**Up and down adjustment:**  
Loosen the C/C 'screw counterclockwise to make the adjustment.  
After the adjustment is completed, lock it tightly.

