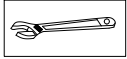
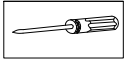


## instruction for installation

instrument; tool



Chinese-English

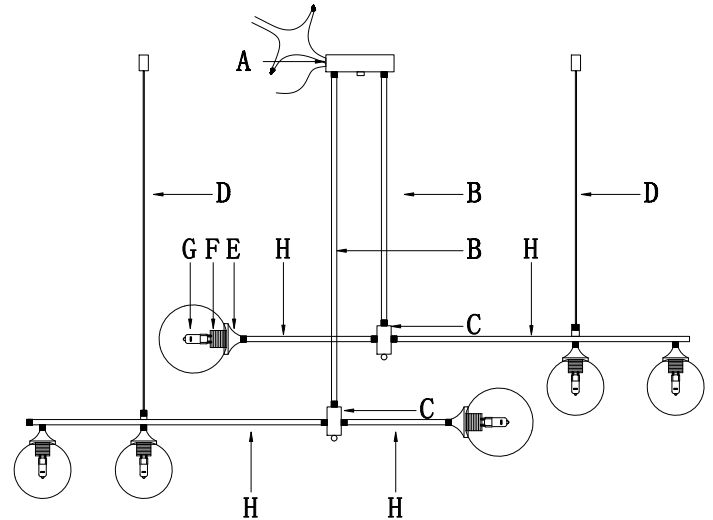
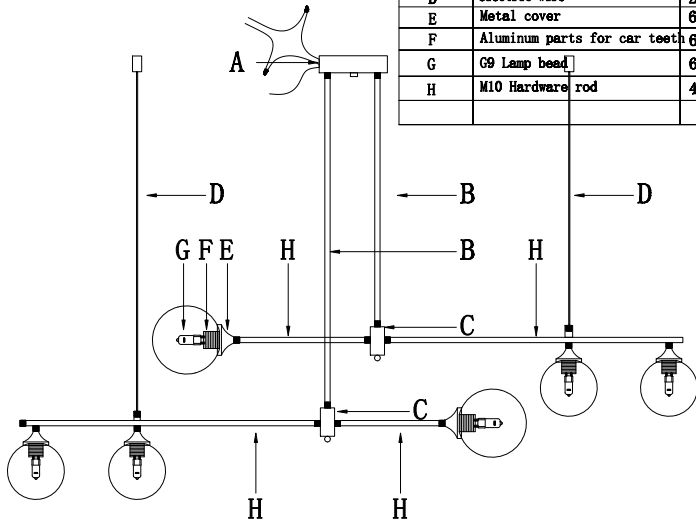


screwdriver

### Before Installation

1. Please read these instructions before assembling or installing the product.  
NOTE: Installation by a licensed electrician is recommended.
2. Take out the fixture and the mounting package and make sure all parts are included.  
If any part is missing or damaged, please contact us.
3. All parts must be used as indicated in these instructions. Do not substitute any parts, leave parts out, or use any parts that are worn out or broken.
4. Do not disassemble the main body, as it has been installed & commissioned correctly &
5. **IMPORTANT:** Turn off the main power at the circuit breaker and place the wall switch or pull
6. Do not use bulbs with wattage greater than specified on this fixture.

No	Material	PCS
A	Hanging plate + suction top plate	1
B	Hardware rod	2
C	Car teeth straight through hardware	2
D	electric wire	2
E	Metal cover	6
F	Aluminum parts for car teeth	6
G	G9 Lamp bead	6
H	M10 Hardware rod	4



1 One line hanging plate on the wall and the suction top plate to lock A B

2 The hardware rod is connected to the hardware with a tooth transfer lock, and the other end is connected to the ceiling with a wire B C D

3 The aluminum parts of the car are placed in the hardware cover and locked on the hardware rod with the tooth pair. The button can be put on the glass

### Troubleshooting

Problem	Possible Cause	Corrective Action
Fixture does not light.	<ol style="list-style-type: none"> <li>1. Fixture may be wired incorrectly.</li> <li>2. Worn or broken bulb</li> <li>3. Lamp socket or LED transformer (if applicable) may go bad.</li> </ol>	<ol style="list-style-type: none"> <li>1. Check wiring.</li> <li>2. Replace bulb</li> <li>3. Replace lamp socket or LED transformer (if applicable)</li> </ol>
Light bulb flickers.	<ol style="list-style-type: none"> <li>1. Switch Contacts are bad</li> <li>2. Wire connections are loose.</li> <li>3. Light bulb socket may go bad.</li> </ol>	<ol style="list-style-type: none"> <li>1. Replace the switch</li> <li>2. Check wire connections.</li> <li>3. Replace the socket</li> </ol>