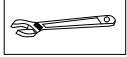


## instruction for installation

instrument; tool



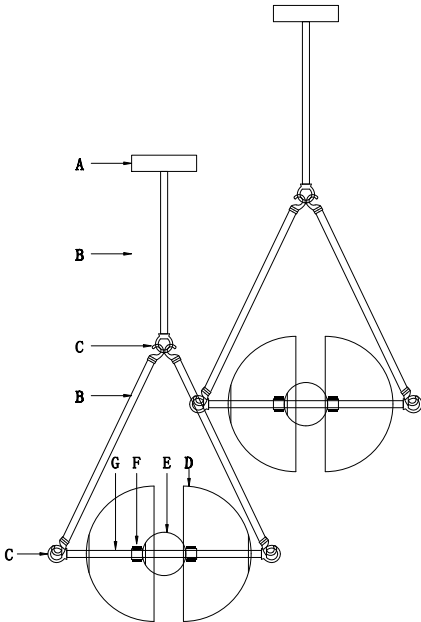
Chinese-English



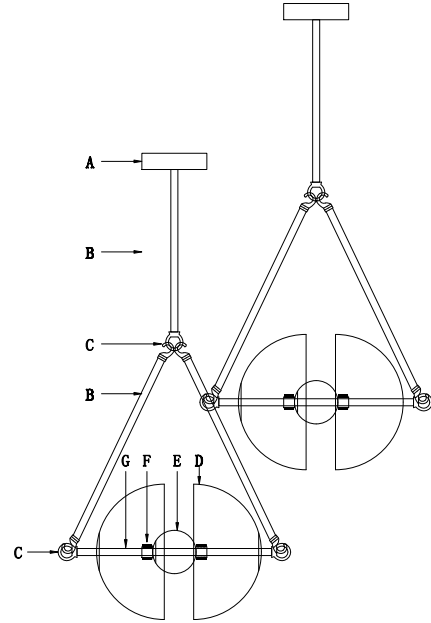
screwdriver

### Before Installation

1. Please read these instructions before assembling or installing the product.  
NOTE: Installation by a licensed electrician is recommended.
2. Take out the fixture and the mounting package and make sure all parts are included.  
If any part is missing or damaged, please contact us.
3. All parts must be used as indicated in these instructions. Do not substitute any parts, leave parts out, or use any parts that are worn out or broken.
4. Do not disassemble the main body, as it has been installed & commissioned correctly &
5. **IMPORTANT:** Turn off the main power at the circuit breaker and place the wall switch or pull
6. Do not use bulbs with wattage greater than specified on this fixture.



No	Material	PCS
A	Hanging plate + suction top plate	1
B	M10 Hardware rod for inner teeth	3
C	rings	7
D	Half round glass	2
E	Metal ball	1
F	LED light ring	1
G	M10 Hardware rod for inner teeth	2
H		
I		



1 One line hanging plate on the wall and the top plate to lock A B

2 The lifting ring and the inner tooth hardware bar are locked on the suction top plate B C

M10 inner tooth hardware bar is placed in the semicircle glass with a tooth transfer lock LED light source ring,  
3 wiring in the hardware ball, and then use another hardware bar to lock  
Glass D, E, F and G are locked with rings at both ends

### Troubleshooting

Problem	Possible Cause	Corrective Action
Fixture does not light.	<ol style="list-style-type: none"> <li>1. Fixture may be wired incorrectly.</li> <li>2. Worn or broken bulb</li> <li>3. Lamp socket or LED transformer (if applicable) may go bad.</li> </ol>	<ol style="list-style-type: none"> <li>1. Check wiring.</li> <li>2. Replace bulb</li> <li>3. Replace lamp socket or LED transformer (if applicable)</li> </ol>
Light bulb flickers.	<ol style="list-style-type: none"> <li>1. Switch Contacts are bad</li> <li>2. Wire connections are loose.</li> <li>3. Light bulb socket may go bad.</li> </ol>	<ol style="list-style-type: none"> <li>1. Replace the switch</li> <li>2. Check wire connections.</li> <li>3. Replace the socket</li> </ol>