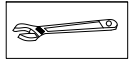
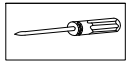


instruction for installation

instrument; tool



Chinese-English



screwdriver

Before Installation

1. Please read these instructions before assembling or installing the product.

NOTE: Installation by a licensed electrician is recommended.

2. Take out the fixture and the mounting package and make sure all parts are included.

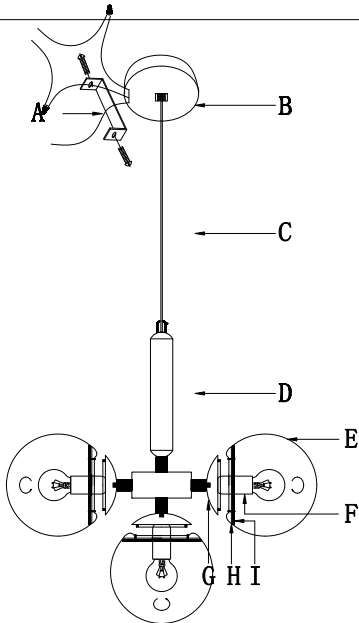
If any part is missing or damaged, please contact us.

3. All parts must be used as indicated in these instructions. Do not substitute any parts, leave parts out, or use any parts that are worn out or broken.

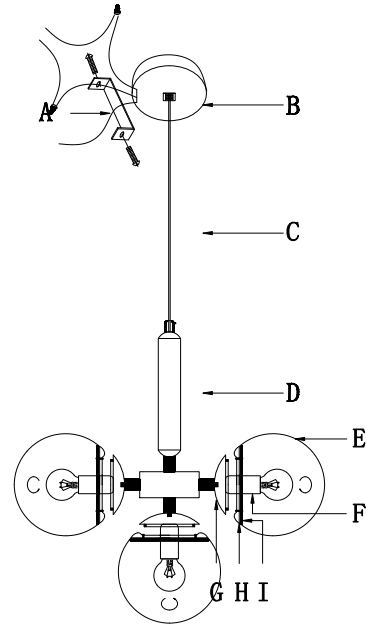
4. Do not disassemble the main body, as it has been installed & commissioned correctly &

5. IMPORTANT: Turn off the main power at the circuit breaker and place the wall switch or pull

6. Do not use bulbs with wattage greater than specified on this fixture.



No	Material	PCS
A	One line hanging plate + wiring riser	1
B	Hardware suction top plate	1
C	Wire lock wire buckle	1
D	Car tooth hardware round	1
E	glass	5
F	E27 lamp holder	5
G	Aluminum parts for outer teeth	5
H	Aluminum parts for inner teeth	5
I	Notched aluminium sheet	5
J		
K		



1 Hanging plate locks wall with suction top plate fixed A B

2 Wire lock wire buckle Connection hardware roundabout with hardware lock C D

3 E27 lamp cap is locked on the aluminum parts of the outer teeth of the car and the iron parts are locked F G

4 The notched aluminum piece is placed in the glass ball and locked with the aluminum parts of the interior teeth

5 Put the rotating button of the glass ball on the aluminum parts of the outer teeth

Troubleshooting

Problem	Possible Cause	Corrective Action
Fixture does not light.	1. Fixture may be wired incorrectly. 2. Worn or broken bulb 3. Lamp socket or LED transformer (if applicable) may go bad.	1. Check wiring. 2. Replace bulb 3. Replace lamp socket or LED transformer (if applicable)
Light bulb flickers.	1. Switch Contacts are bad 2. Wire connections are loose. 3. Light bulb socket may go bad.	1. Replace the switch 2. Check wire connections. 3. Replace the socket