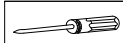


instruction for installation

instrument tool



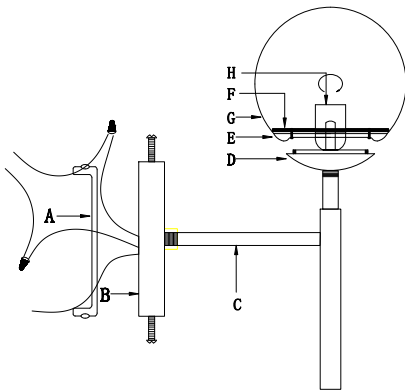
Chinese-English



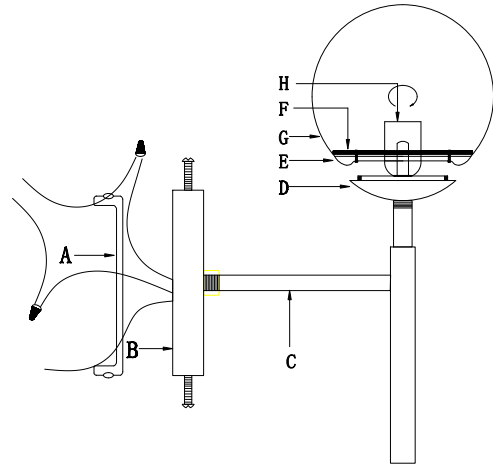
screwdriver

Before Installation

1. Please read these instructions before assembling or installing the product.
NOTE: Installation by a licensed electrician is recommended.
2. Take out the fixture and the mounting package and make sure all parts are included. If any part is missing or damaged, please contact us.
3. All parts must be used as indicated in these instructions. Do not substitute any parts, leave parts out, or use any parts that are worn out or broken.
4. Do not disassemble the main body, as it has been installed & commissioned correctly &
5. **IMPORTANT:** Turn off the main power at the circuit breaker and place the wall switch or pull
6. Do not use bulbs with wattage greater than specified on this fixture. precisely before leaving the factory.



No	Material	PCS
A	One line hanging board (Primary color)	1
B	Iron Top Plate (Bronze)	1
C	Iron Metal elbow (Bronze)	1
D	Aluminum parts for car teeth (Bronze)	1
E	Aluminum parts for car teeth (Bronze)	1
F	Notched Aluminum sheet (primary color)	1
G	Glass ball (white)	1
H	E27 Bare Body Lamp Holder (Primary Color)	1



1 One line hanging plate on the wall and the suction top plate to lock A B

2 Hardware bending pipe tooth transfer and suction top plate lock C B

3 Car outer teeth aluminum parts lock E27 naked lamp cap and round tube to lock C

4 The notched aluminum piece is placed in the glass ball and locked with the aluminum parts of the interior teeth

5 Put the glass ball that has installed rotating knob teeth on the aluminum D outside the car

Troubleshooting

Problem	Possible Cause	Corrective Action
Fixture does not light	1. Fixture may be wired incorrectly 2. Worn or broken bulb 3. Lamp socket or LED transformer (if applicable) may go bad	1. Check wiring 2. Replace bulb 3. Replace lamp socket or LED transformer (if applicable)
Light bulb flickers.	1. Switch Contacts are bad 2. Wire connections are loose 3. Light bulb socket may go bad	1. Replace the switch 2. Check wire connections 3. Replace the socket