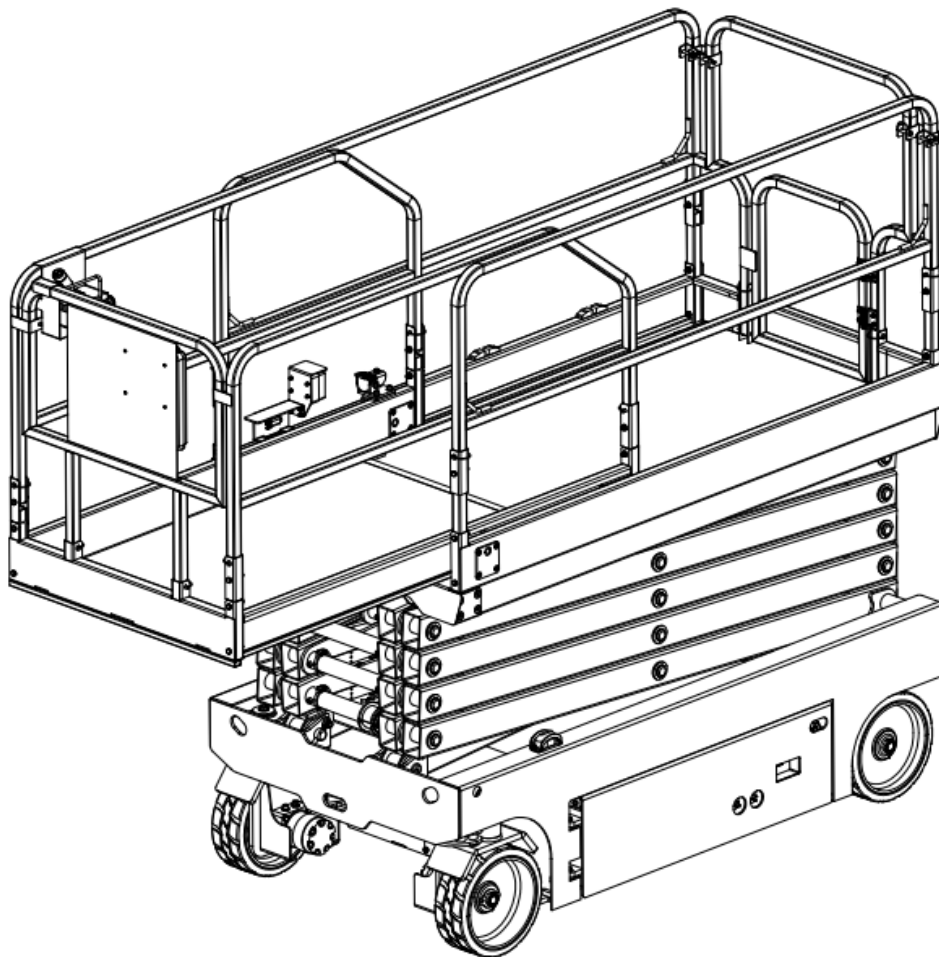




Electric Scissor Lift Work Platform

Parts Manual

ES80E/ES100E/ES120E



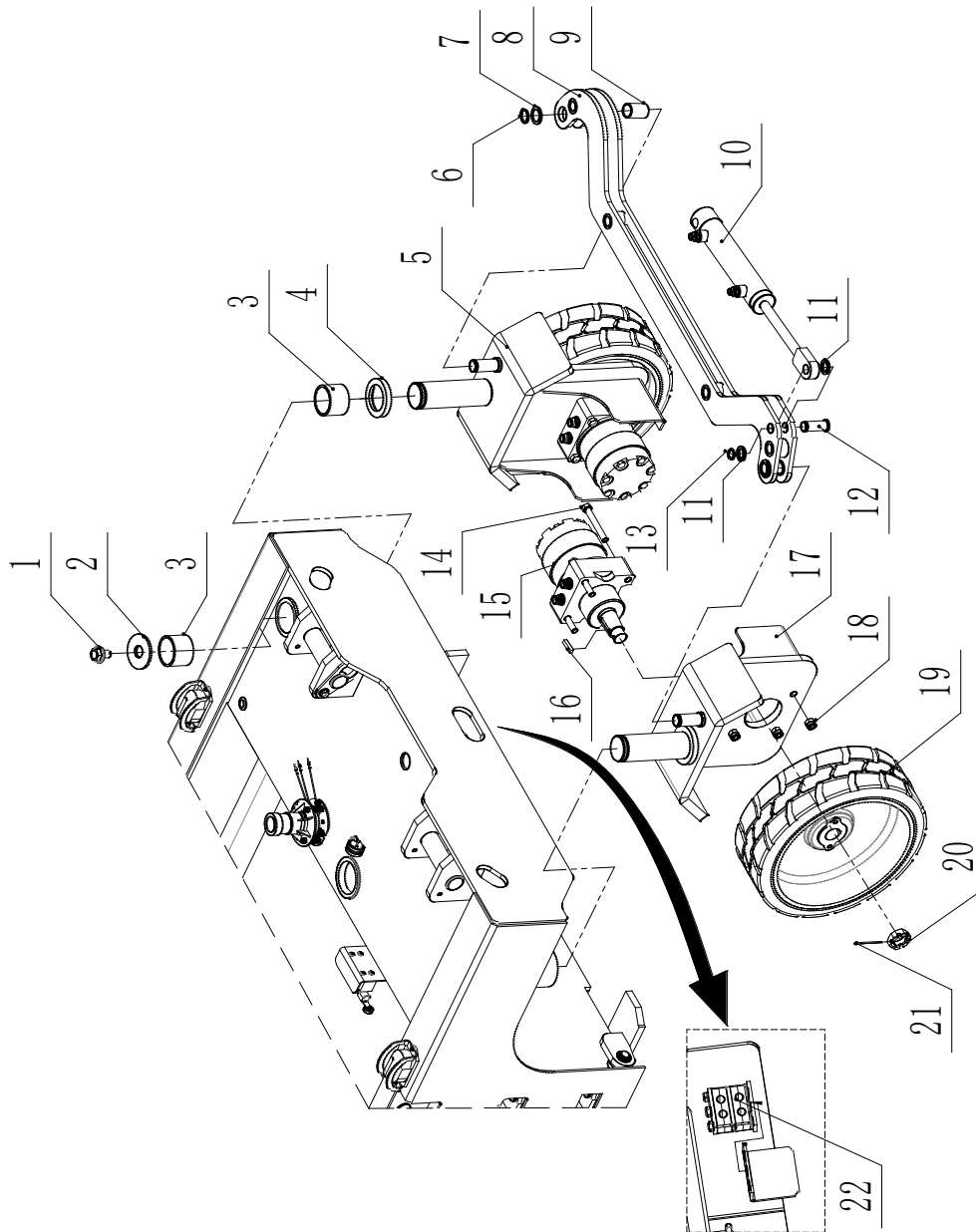
Frist Edition January 2022

Contents

Chapter 1 Chassis.....	3
1.1 Steering Assembly	4
1.2 Pothole Assembly.....	6
1.3 Battery Side Assembly.....	8
1.4 Tank Side Assembly.....	10
1.5 Rear Wheel And Ladder Assembly.....	12
1.6 Counterweights	14
Chapter 2 Scissors.....	15
2.1 Scissors Assembly (ES80E)	16
2.2 Scissors Assembly (ES100E)	18
2.3 Scissors Assembly (ES120E)	20
Chapter 3 Platform.....	22
3.1 Main Platform Assembly	23
3.2 Extension Platform Assembly.....	25
3.3 Folded Main Platform Assembly	27
3.4 Folded Extension Platform Assembly.....	29
Chapter 4.....	31
Hydraulic System.....	31
4.1 Hydraulic Pipeline (ES80E)	32
4.2 Hydraulic Pipeline(ES100/ES120E)	34
Chapter 5 Electrical System.....	37
5.1 Electrical Harness	38
Chapter 6 Labels	41

Chapter 1 Chassis

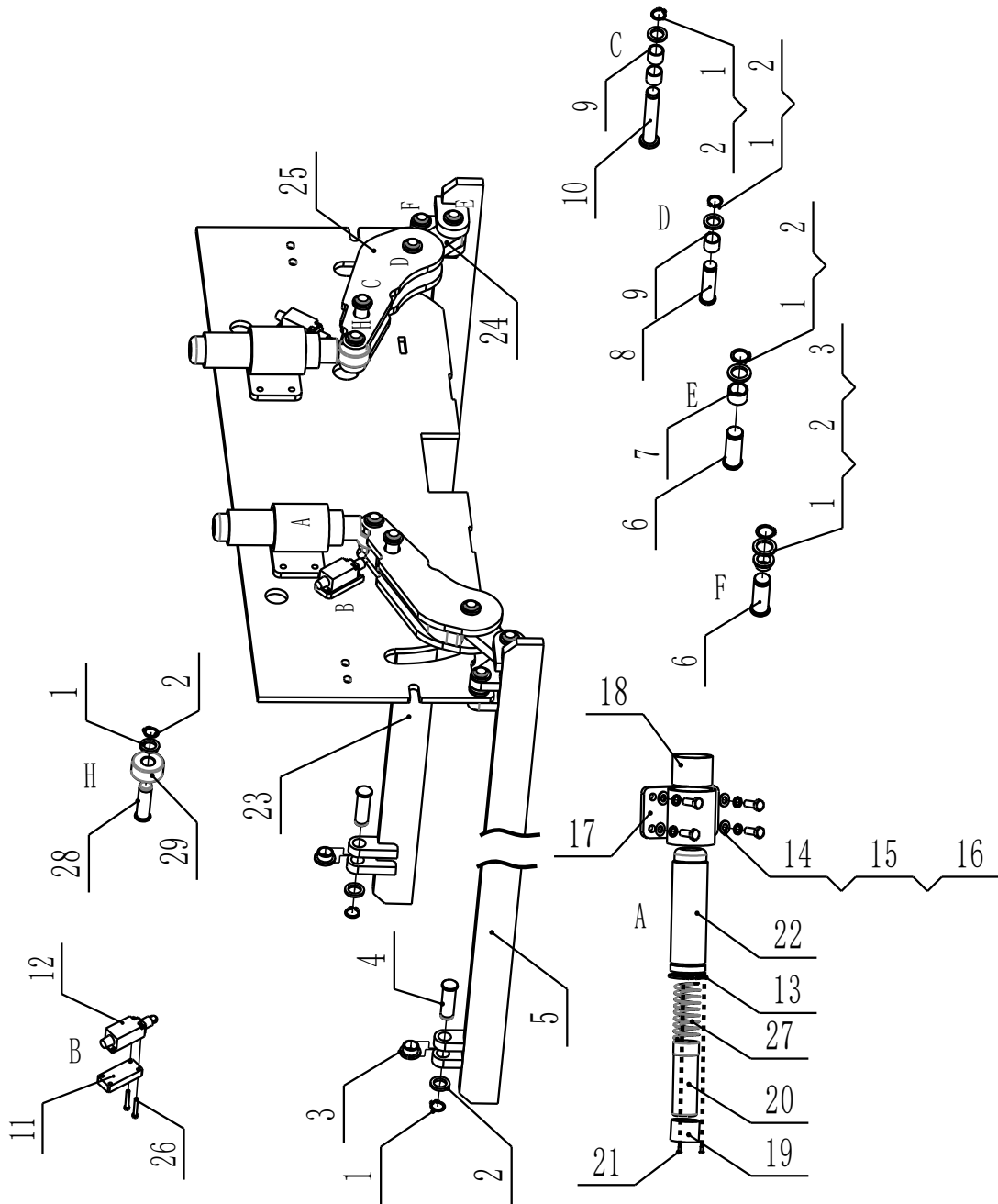
1.1 Steering Assembly



1.1 Steering Assembly

No.	Part no.	Designation	Qty.
1	GB1100011	GB/T5789 Bolt M16*25	2
2	GB1400024	GB/T96.1 Plain washers-large 24	2
3	A10200033	Sleeves 55*63*45	4
4	A10200035	Copper washer	2
5	A10200013	Right bogie	1
6	GB1600020	JB/ZQ4342 Rings for shafts(heavy duty) 25	2
7	GB1400028	GB/T97.1 Washers 25	2
8	A10200034	Steering Connection Rod	1
9	A10200206	Sleeves 25*30*45	2
10	A10700027	Steering Cylinder Assembly	1
11	GB1400008	GB/T97.1 Washers 20	2
12	A10200236	Clevis Pins	1
13	GB1600005	JB/ZQ4342 Rings for Shafts(Heavy Duty) 20	1
14	GB1100007	GB/T5782 Bolt M12*90-12.9	8
15	WG0200007-1	Motor	2
16	WG0200007-3	Dowel	2
17	A10200014	Left bogie	1
18	GB1300008	GB/T889.1 Nuts M12	8
19	WG0200013	Tire	2
20	WG0200007-2	ASTM A563 Castle Nut 1-1/8-18UNEF	2
21	GB1800006	GB/T91 Split Pins 4*63	2
22	WG0200047	Tubing Clip	1

1.2 Pothole Assembly

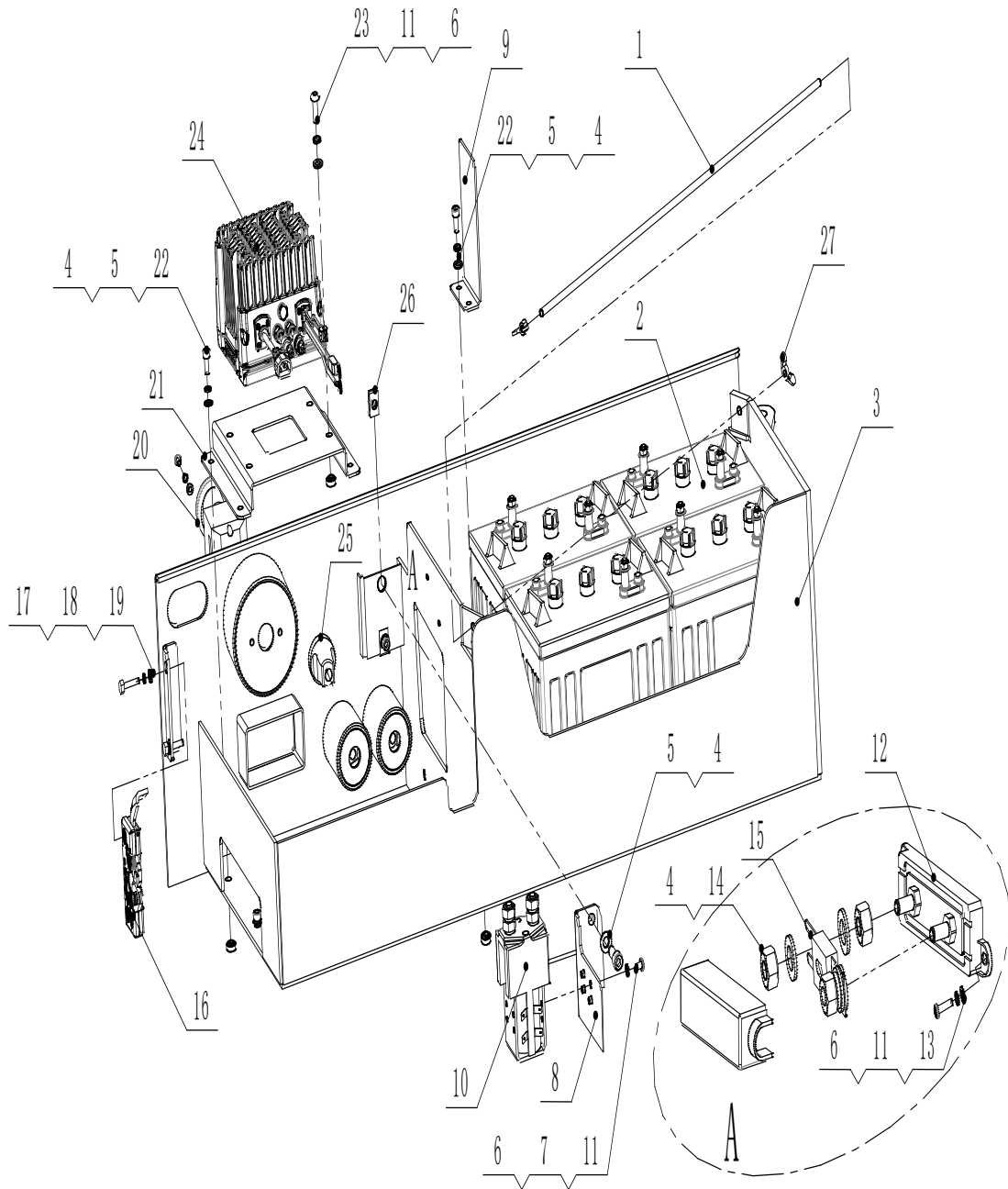


1.2 Pothole Assembly

No.	Part no.	Designation	Qty.
1	GB1400008	GB/T97.1 Washers 20	12
2	GB1600005	JB/ZQ4342 Rings for shafts(Heavy Duty) 20	12
3	A10200091	Sleeves (29*25*15)	4
4	A10200202	Clevis pins	4
5	A10200934	Pothole weldment left	1
6	A10200201	Clevis pins	4
7	A10300235	Sleeves (30*25*20)	2
8	A10200315	Clevis pins	2
9	A10200319	Sleeves (24*20*20)	6
10	A10200318	Clevis pins	2
11	A10200548	Switch guard back	2
12	WG0300016	Switch guard	2
13	GB1600004	JB/ZQ4342 Rings for shafts(Heavy Duty) 55	2
14	GB1100014	GB/T 5783 Bolt M8*25	8
15	GB1400001	GB/T97.1 Washers 10	8
16	GB1500006	GB/T 93 Elastic washers 10	8
17	A10200696	Stress axle base assembly	2
18	A10200033	Sleeves (63*55*45)	2
19	A10300004	Sleeves	2
20	A10200691	Stress axle 2	2
21	GB1200011	GB/T70.2 Bolt M4*8	6
22	A10200693	Stress axle assembly	2
23	A10200935	Pothole weldment right	1
24	A10200954	Pothole connecting rod	2
25	A10200317	Eccentric block	2
26	GB1100045	GB/T 5783 Bolt M5*35	4
27	A10200126	Spring (40*20*85)	2
28	A10200315	Clevis pins	2
29	A10200951	Roller	2

1.3 Battery Side Assembly

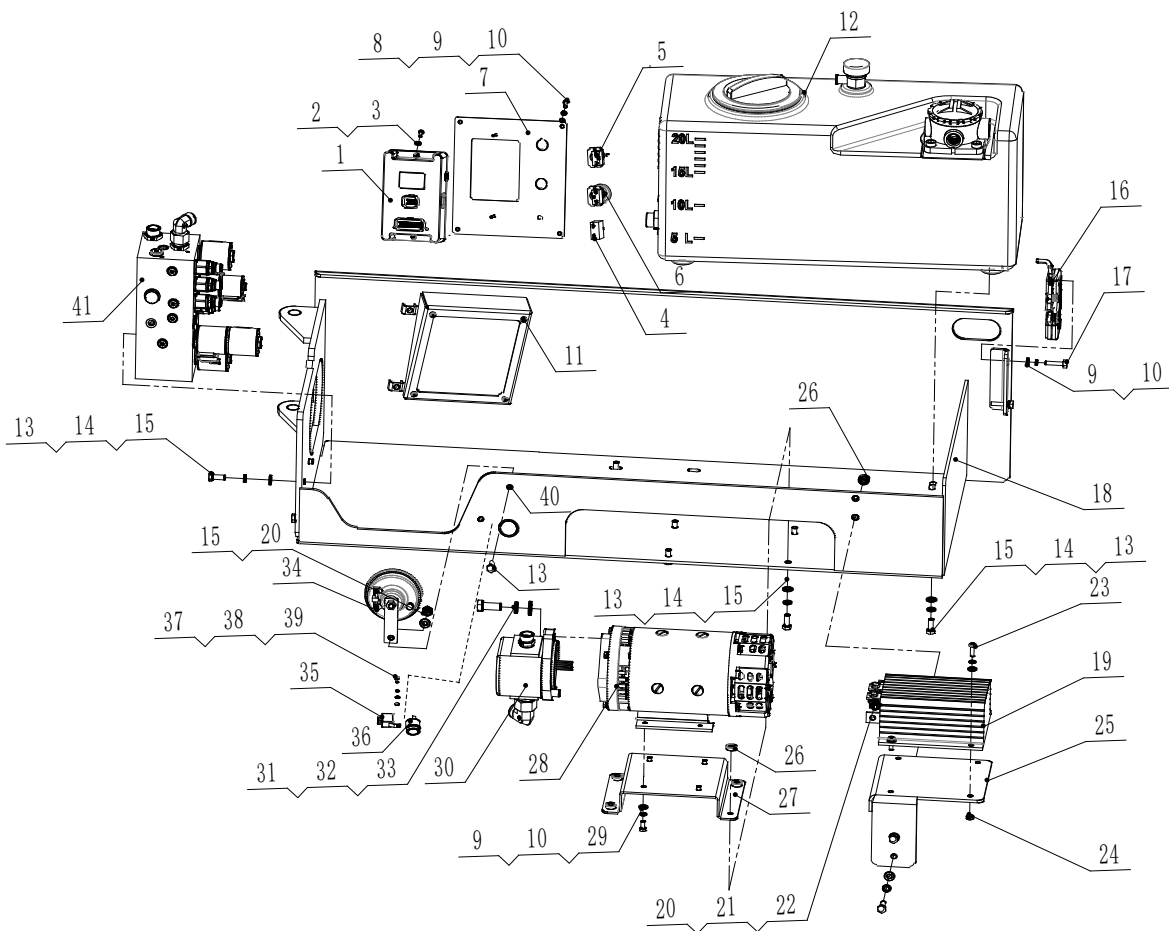
(Lead batteries side assembly)



1.3 Battery Side Assembly

No.	Part no.	Designation	Qty.
1	A10200056	M8 screw	1
2	WG0300083	Lithium battery	1
	WG0300026	Trojan battery	4
	WG0300087	TianNeng battery	4
3	A10200012	Battery box weldment	1
4	GB1400018	GB/T97.1 Washers 8	12
5	GB1200021	GB/T70.1 Screw M8*20	6
6	GB1500005	GB/T93.1 Spring Washers 5	14
7	GB1200001	GB/T70.2 Screw M5*10	6
8	A10200071	Contacto support	1
9	WG0300008	Anderson Connector 175A	2
10	GB1200030	GB/T 70.1 Bolt M5*30	2
11	GB1400003	GB/97.1 Washers 5	8
12	WG0300011	Fuse base	1
13	GB1200004	GB/T 70.2 Bolt M5*20	2
14	GB1200004	GB/T6172.2 Nuts M8	4
15	WG0300010	Fuse	1
16	A10100003	Lock	1
17	GB1400002	GB/T97.1 Washers 6	2
18	GB1500007	GB/T93 Spring washers 6	2
19	GB1100042	GB/T5783 Bolt M6*30	2
20	WG0300130	Power switch	1
21	A10200116	Charger holder assembly	1
22	GB1500003	GB/T 93 Spring washers 8	6
23	GB1200017	GB/T70.2 Screw M5*16	4
24	WG0300073	Charger	1
25	WG0300021	Plugs	2
26	GB1800003	Q312 Spring nut M8	2
27	GB1800022	GB/T62 Butterfly nut M8	2
28	GB1100012	GB/T5783 Bolt M8*16	2

1.4 Tank Side Assembly

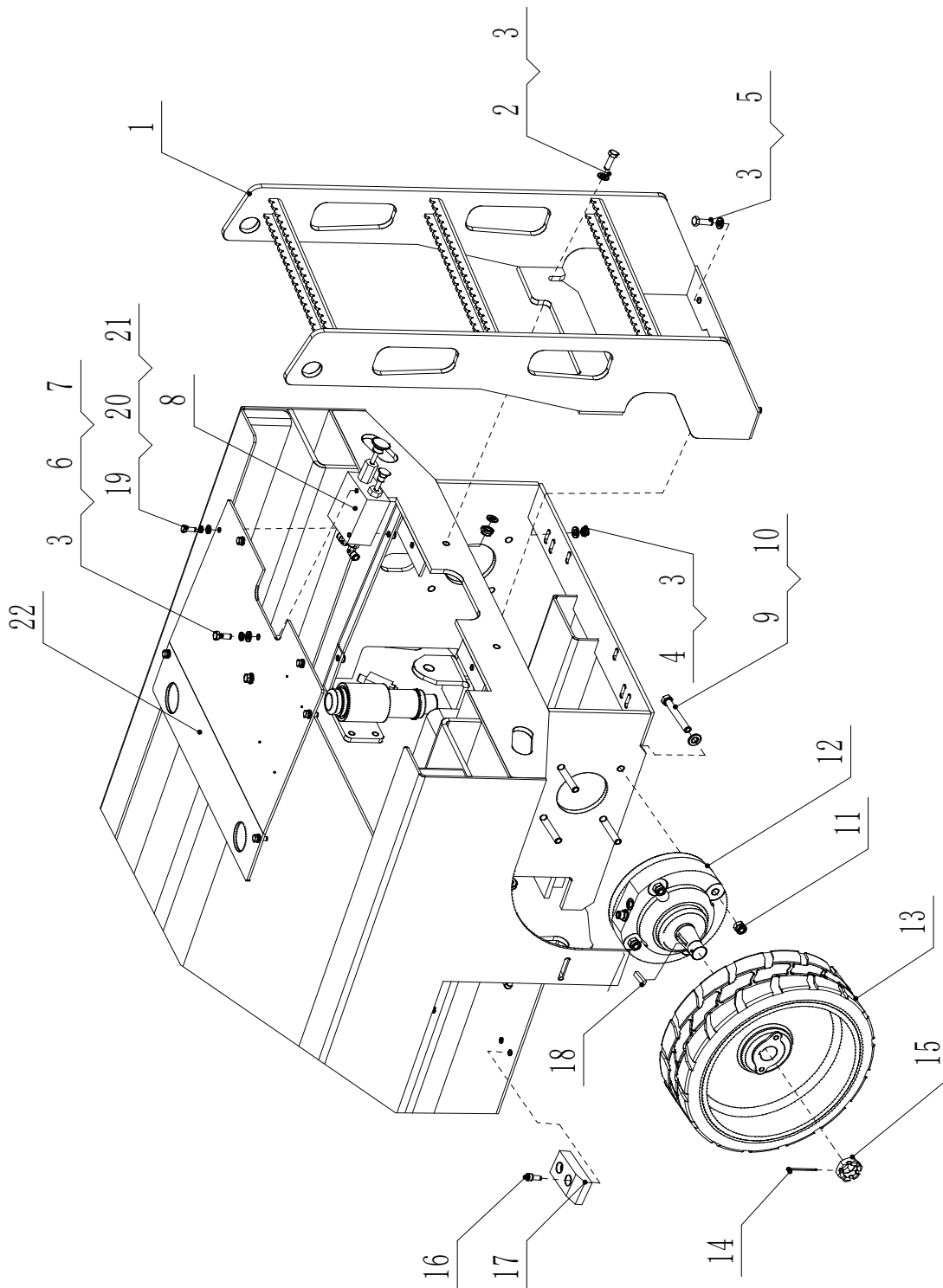


1.4 Tank Side Assembly

No.	Part no.	Designation	Qty.
1	WG0300002	ECU	1
2	GB1200018	GB/T70.2 Screw M4*30	2
3	GB1500004	GB/T93.1 Elastic Washers 4	2
4	WG0300029	Circuit breaker	1
5	WG0300009	Key switch	1
6	WG0300005	E-stop switch	1
7	A10200968	Lower control panel	1
8	GB1200003	GB/T70.2 Screw M6*20	4
9	GB1500007	GB/T93.1 Elastic Washers 6	14
10	GB1400002	GB/T97.1 Washers 6	16
11	GB1300023	Nuts M6	4

No.	Part no.	Designation	Qty.
12	WG0200001	Hydraulic tank	1
13	GB1100032	GB/T5783 Bolt M8*20	13
14	GB1500003	GB/T93 Elastic Washers 8	12
15	GB1400018	GB/T97.1 Washers 8	13
16	WG0100002	Lock	1
17	GB1100042	GB/T5783 Bolt M6*30	2
18	A10200011	Tank Side Weldment	1
19	WG0300025	Motor controller	1
20	GB1300009	GB/T6172.2 Nuts M8	3
21	GB1400018	GB/T97.1 Washers 8	3
22	GB1100012	GB/T5783 Bolt M8*16	3
23	GB1200010	GB/T70.1 Screw M6*20	6
24	GB1300023	Nuts M6	4
25	A10200078	Motor controller bracket	1
26	GB1300024	Nuts M8	7
27	A10200089	Motor bracket	1
28	WG0300107	DC motor (ES0612,ES0812,ES1012)	1
	WG0300090	DC motor (ES1212)	1
29	GB1100039	Bolt 1/4-20UNC*0.5	4
30	WG0200002	Gear pump 4cc(ES0612,ES0812,ES1012)	1
	WG0200014	Gear pump 6cc(ES1212)	1
31	GB1100010	BS-1768 Bolt 3/8- 24UNF*1	2
32	GB1500009	GB/T93.1 Elastic Washers 12	2
33	GB1400020	GB/T97.1 Washers 12	2
34	WG0300017	Horn 24V	1
35	WG0300019	Relay JD2914	1
36	WG0300015	Alarm QSI-3610	1
37	GB1200001	GB/T70.1 Screw M5*10	1
38	GB1500005	GB/T93.1Elastic Washers 5	1
39	GB1400003	GB/97.1 Washers 5	1
40	GB1300022	Nuts M5	1
41	WG0200004	Main valve	1

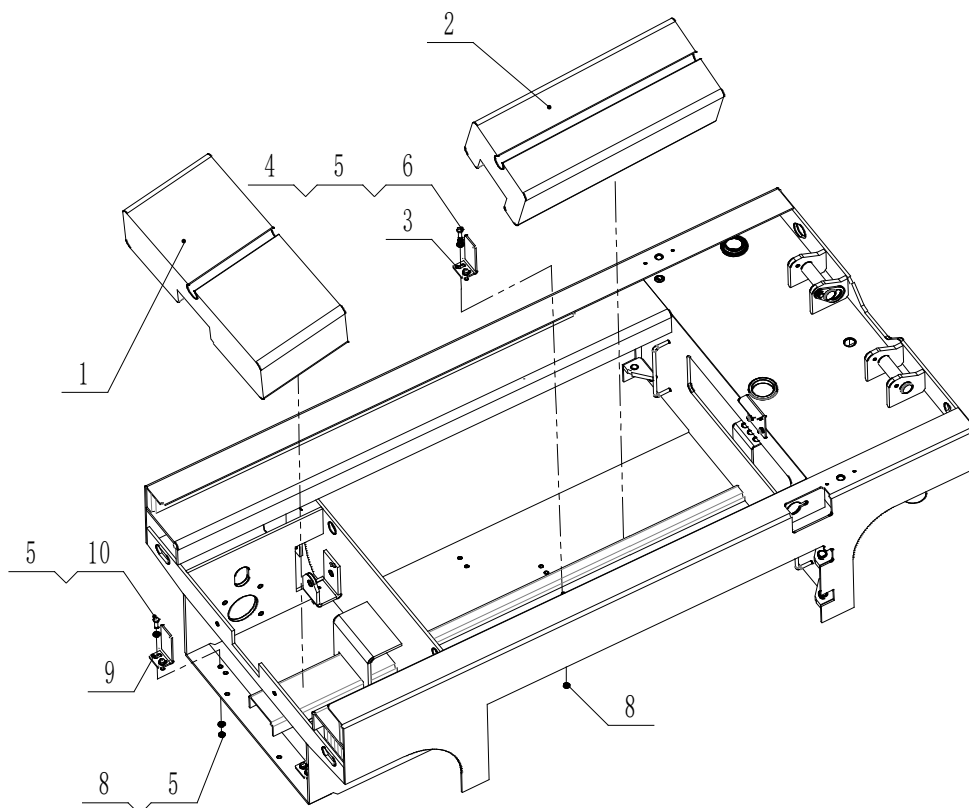
1.5 Rear Wheel And Ladder Assembly



1.5 Rear Wheel And Ladder Assembly

No.	Part no.	Designation	Qty.
1	A10200025	Ladder (ES0612,ES0812,ES1012)	1
	A10200026	Ladder (ES1212)	1
2	GB1100015	GB/T5783 Bolt M10*35	4
3	GB1400001	GB/T97.1 Washers 10	10
4	GB1300010	GB/T6172.2 Nuts M10	4
5	GB1100006	GB/T 5783 Bolt M10*30	2
6	GB1100025	BS-1768 Bolt 3/8-16UNC*1	2
7	GB1500006	GB/T93.1 Spring Washers 10	2
8	WG0200005	Brake release pump	1
9	GB1100007	GB/T5782 Bolt M12*90-12.9	8
10	GB1400020	GB/T97.1 Washers 12	8
11	GB1300008	GB/T6172.2 Nuts M10	8
12	WG0200006	Hydraulic brake	2
13	WG0200013	Tire	2
14	WG0200019	GB/T91 Split pins 4*63	2
15	WG0200007-2	ASTM A563 Castle nuts 1-1/8-18UNEF	2
16	GB1200021	GB/T70.1 Screw M8*20	4
17	A10200327	Slider	2
18	WG0200007-3	Dowel	2
19	GB1100032	GB/T5783 Bolt M8*20	6
20	GB1500003	GB/T93.1 Elastic Washers 10	6
21	GB1400018	GB/T97.1 Washers 10	6
22	A10200505	Baseboard	1

1.6 Counterweights

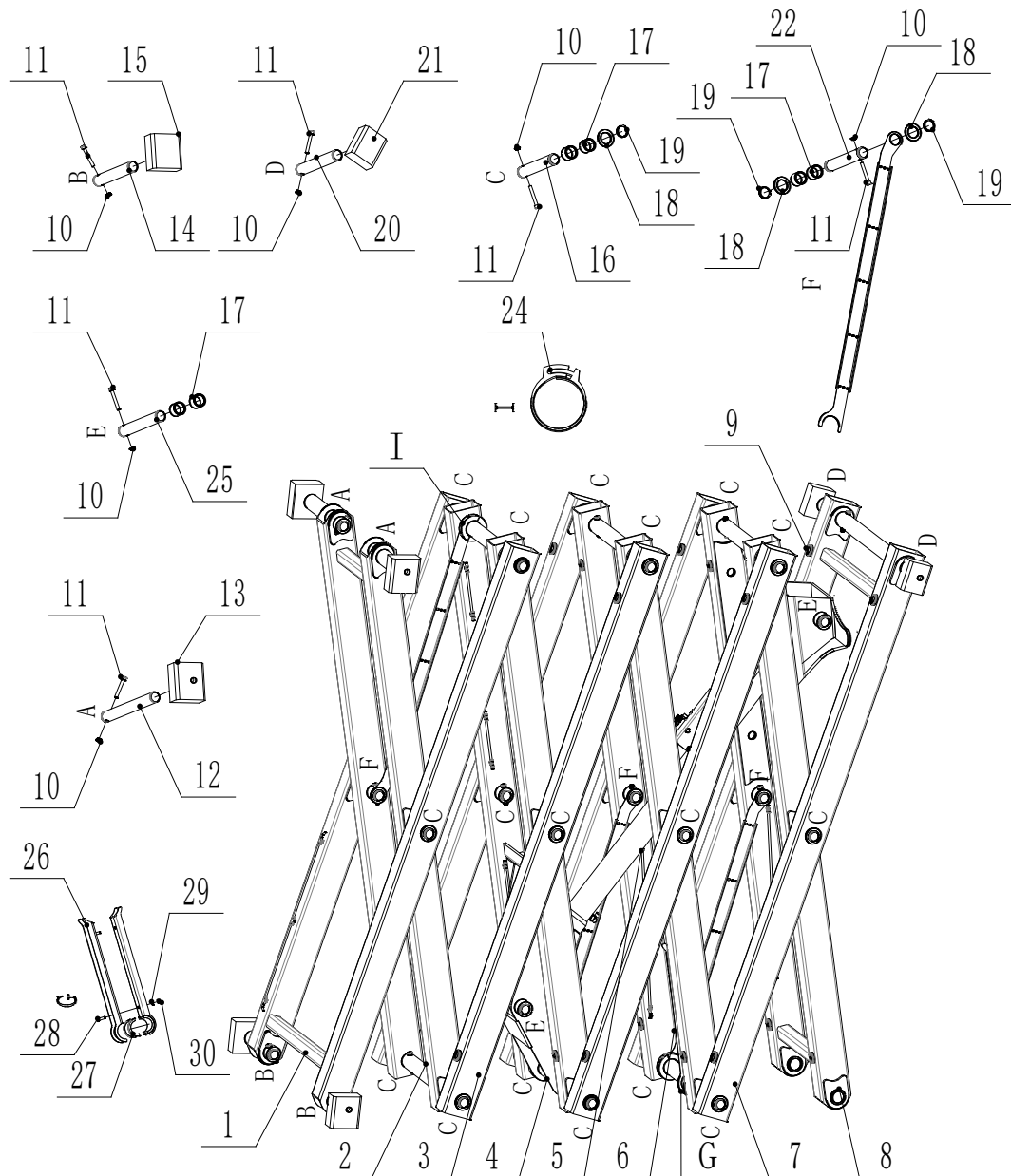


1.6 Counterweights

No.	Part no.	Designation	Qty.
1	A10200064	Counterweight	1
2	A10200643	Counterweight2 (ES1012)	1
	A10200218	Counterweight2 (ES0812.ES1212)	1
3	A10200216	Counterweight baffle	1
4	GB1300031	Nuts M10	2
5	GB1400001	GB/T97.1 Washers 10	10
6	GB1500006	GB/T93.1 Elastic Washers 10	2
7	GB1100014	GB/T5783 Bolt M10*25	8
8	GB1300010	GB/T6172.2 Nuts M10	4
9	A10200023	Counterweight baffle	2
10	GB1100006	GB/T5783 Bolt M10*30	4

Chapter 2 Scissors

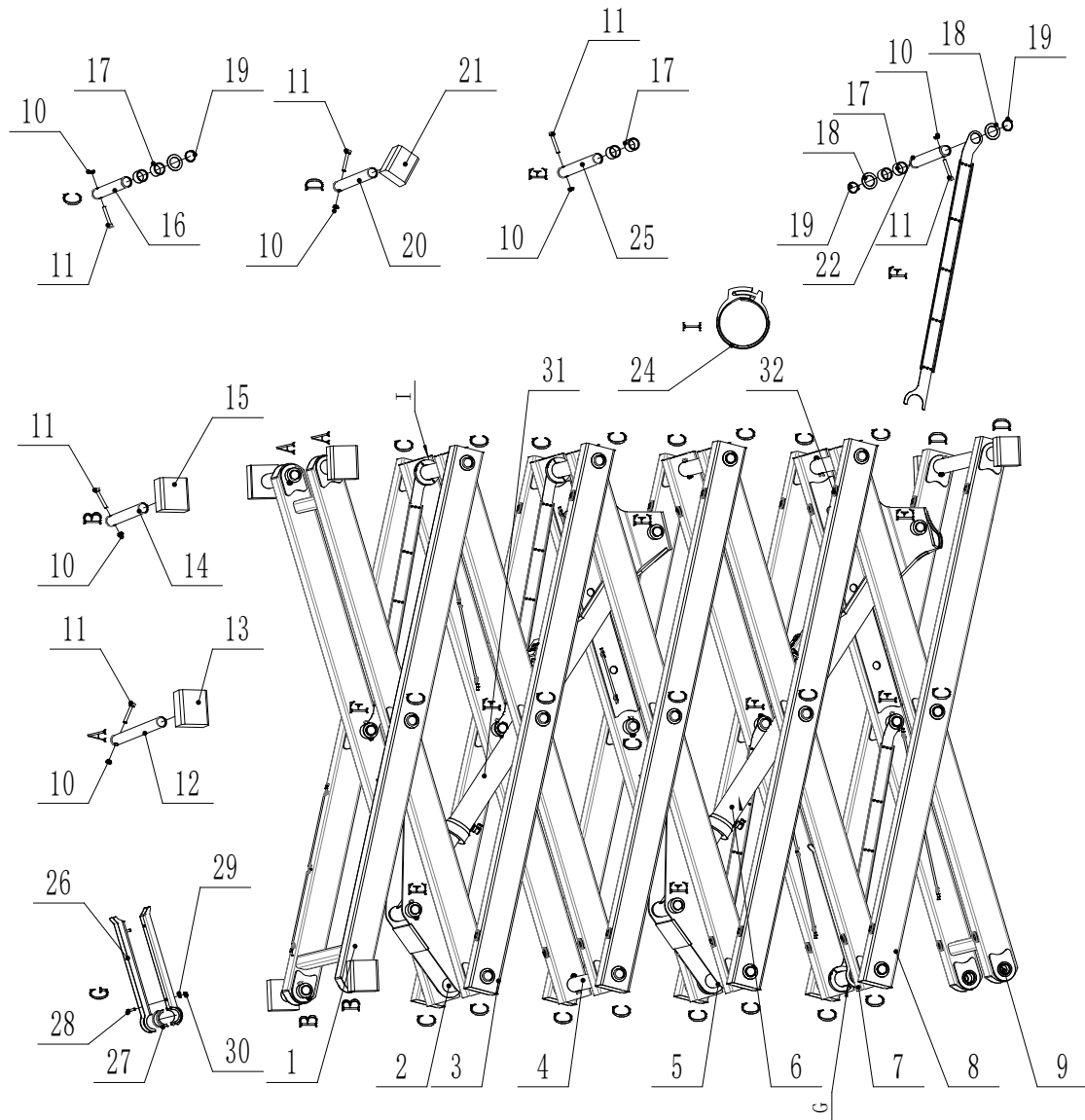
2.1 Scissors Assembly (ES80E)



2.1 Scissors Assembly (ES80E)

No.	Part no.	Designation	Qty.
1	A10300002	Weldment,Link,Outer 6	1
2	A10300011	Weldment,Link,Inner 6	1
3	A10300005	Weldment,Link,Outer 2	4
4	A10300019	Weldment,Link,Inner 3	1
5	A10700043	Lower cylinder assembly	1
6	A10300015	Weldment,Link,Inner 2	1
7	A10300006	Weldment,Link,Outer 1	1
8	A10300008	Weldment,Link,Inner 1	1
9	A10300200	Cushion	24
10	GB1300010	GB/T6172.2 Nuts M10	21
11	GB1200015	GB/T70.1 Bolt M10*70	24
12	A10300041	Clevis Pins11	2
13	A10300057	slider2	2
14	A10300040	Clevis Pins	2
15	A10300024	slider5	2
16	A10300049	Clevis Pins1	17
17	A10300079	Sleeves	44
18	GB1400005	GB/T97.3 Washers 40	19
19	GB1600002	JB/ZQ4342 Elastic Washers 40	18
20	A10300066	Clevis Pins17	2
21	A10300056	slider	2
22	A10300064	Clevis Pins7	3
23	A10300078	Wiring board	3
24	WG0100018	Hoop X (55.0-60.5)	3
25	A10300047	Clevis Pins3	6
26	A10300073	Safety arm plate	2
27	A10300100	Bracket sheath	2
28	GB1100006	GB/T 5783 Bolt M10*30	3
29	GB1400001	GB/T97.1 Washers 10	3
30	GB1300010	GB/T6172.2 Nuts M10	3

2.2 Scissors Assembly (ES100E)

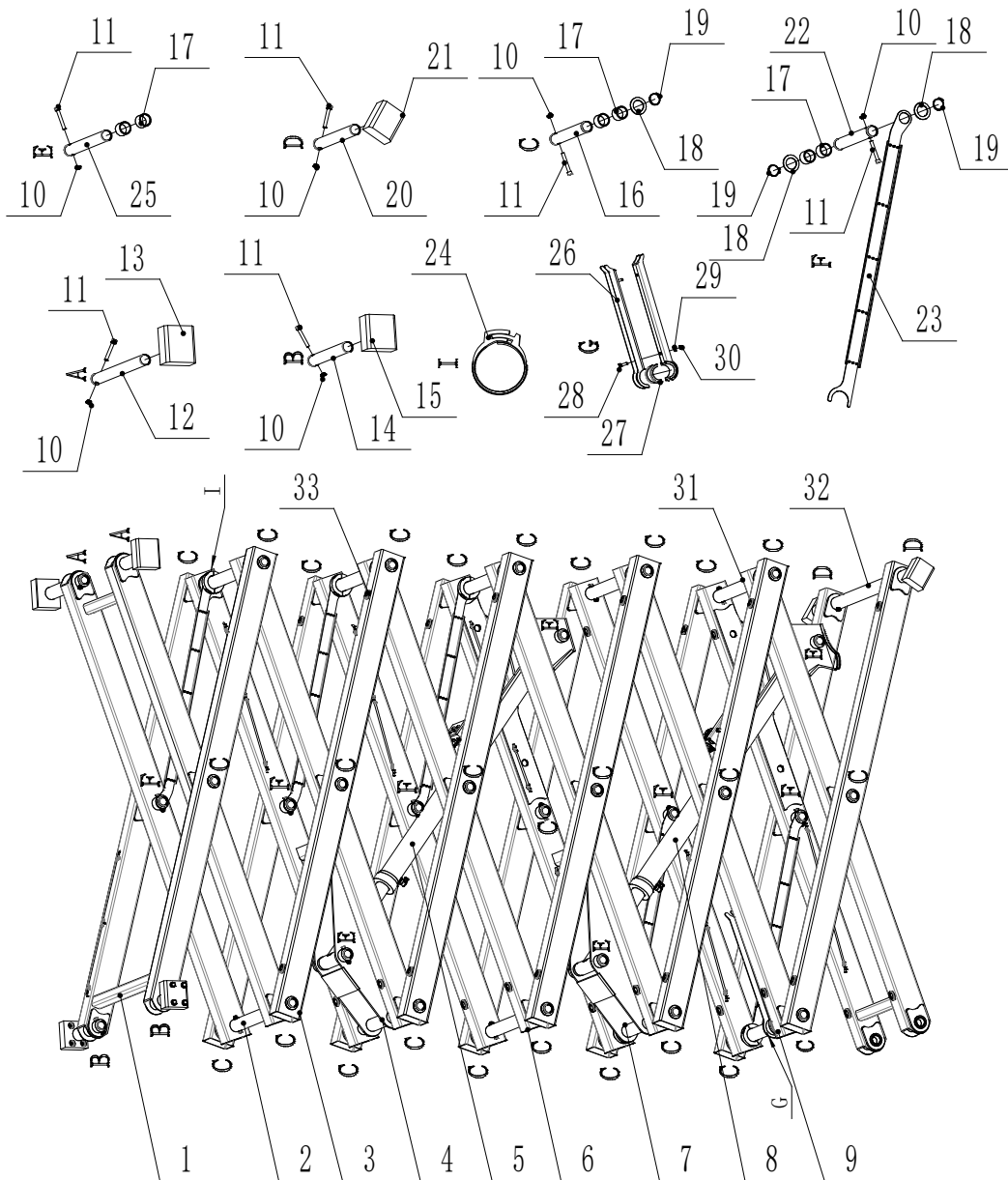


2.2 Scissors Assembly (ES100E)

No.	Part no.	Designation	Qty.
1	A10300002	Weldment,Link,Outer 6	1
2	A10300090	Weldment,Link,Inner 5	1
3	A10300005	Weldment,Link,Outer 2	6
4	A10300007	Weldment,Link,Inner 4	1

No.	Part no.	Designation	Qty.
5	A10300089	Weldment,Link,Inner 3	1
6	A10700029	Lower cylinder assembly	1
7	A10300015	Weldment,Link,Inner 2	1
8	A10300003	Weldment,Link,Outer 1	1
9	A10300008	Weldment,Link,Inner 1	1
10	GB1300010	GB/T6172.2 Nuts M10	36
11	GB1200015	GB/T70.1 Bolt M10*70	36
12	A10300041	Clevis Pins11	2
13	A10300057	slider2	2
14	A10300040	Clevis Pins	2
15	A10300024	slider5	2
16	A10300049	Clevis Pins1	22
17	A10300079	Sleeves	56
18	A10300085	GB/T97.3 Washers 40	30
19	GB1600002	JB/ZQ4342 Elastic Washers 40	30
20	A10300066	Clevis Pins17	2
21	A10300056	slider	2
22	A10300064	Clevis Pins7	4
23	A10300078	Wiring board	4
24	WG0100018	Hoop X (55.0-60.5)	8
25	A10300047	Clevis Pins3	4
26	A10300073	Safety arm plate	2
27	A10300100	Bracket sheath	2
28	GB1100006	GB/T 5783Bolt M10*30	2
29	GB1400001	GB/T97.1 Washers 10	2
30	GB1300010	GB/T6172.2 Nuts M10	2
31	A10700028	Upper cylinder assembly	1
32	A10300200	Cushion	32

2.3 Scissors Assembly (ES120E)



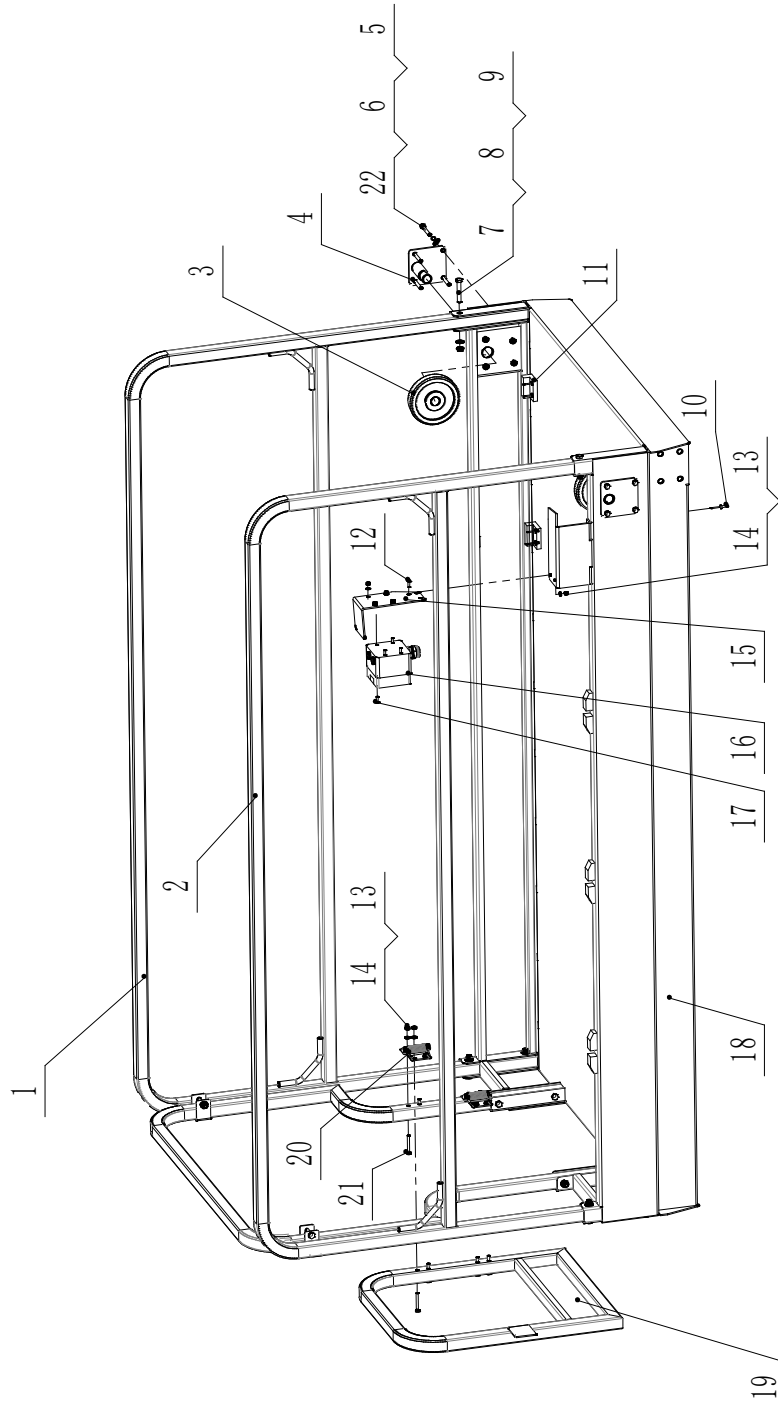
2.3 Scissors Assembly (ES120E)

No.	Part no.	Designation	Qty.
1	A10300002	Weldment,link,outer6	1
2	A10300011	Weldment,Link,Inner 6	1
3	A10300005	Weldment,Link,Outer 2	8
4	A10300013	Weldment,Link,Inner 5	1

No.	Part no.	Designation	Qty.
5	A10700028	Upper cylinder assembly	1
6	A10300007	Weldment,Link,Inner 4	1
7	A10300089	Weldment,Link,Inner 3	1
8	A10700029	Lower cylinder assembly	1
9	A10300015	Weldment,Link,Inner 2	1
10	GB1300010	GB/T6172.2 Nuts M10	41
11	GB1200015	GB/T70.1 Bolt M10*70	41
12	A10300041	Clevis Pins11	2
13	A10300057	slider2	2
14	A10300040	Clevis Pins	2
15	A10300024	slider5	2
16	A10300049	Clevis Pins1	27
17	A10300079	Sleeves	68
18	GB1400005	GB/T97.3 Washers 40	38
19	GB1600002	JB/ZQ4342 Elastic Washers 40	37
20	A10300066	Clevis Pins17	2
21	A10300056	slider	2
22	A10300064	Clevis Pins7	5
23	A10300078	Wiring board	5
24	A10300099	Hoop	10
25	A10300047	Clevis Pins3	4
26	A10300073	Support plate	2
27	A10300100	Bracket sheath	2
28	GB1100006	GB/T5783 Bolt M10*30	2
29	GB1400001	GB/T97.1 Washers 10	2
30	GB1300010	GB/T6172.2 Nuts M10	2
31	A10300008	Weldment,Link,Inner 1	1
32	A10300006	Weldment,Link,Outer 1	1
33	A10300200	Cushion	40

Chapter 3 Platform

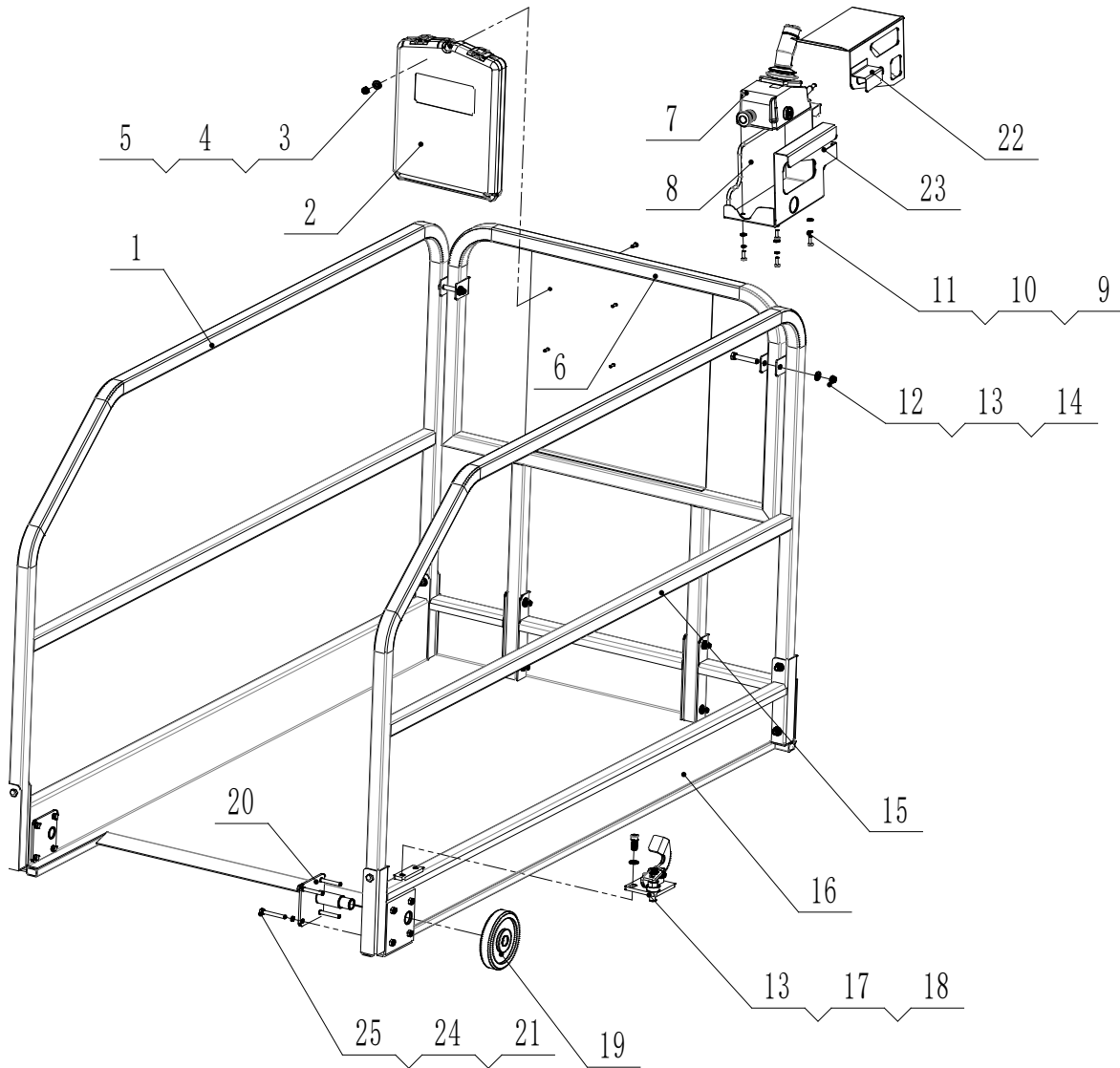
3.1 Main Platform Assembly



3.1 Main Platform Assembly

No.	Part no.	Designation	Qty.
1	A10500003	Main Platform Guard Bar Right	1
2	A10500005	Main Platform Guard Bar Lift	1
3	A10500078	Roller	2
4	A10500076	Floor	2
5	GB1100004	GB/T5783 Bolt M8*60	8
6	GB1300003	GB/T97.1 Washers 10	8
7	GB1100001	GB/T5782 Bolt M10*60	12
8	GB1400001	GB/T97.1 Washers 10	12
9	GB1300010	GB/T6172.2 Nuts M10	12
10	GB1800002	GB/T12618.1 Rivet 5*16	8
11	A10500084	Slider	4
12	GB1200003	GB/T70.2 Screw M6*20	3
13	GB1400002	GB/T97.1 Washers 6	11
14	GB1300002	GB/T6172.2 Nuts M6	11
15	A10500095	Socket connection board (Optional)	1
16	WG0300020	Waterproof socket (Optional)	1
17	GB1200017	GB/T70.2 Screw M5*16 (Optional)	4
	GB1400004	GB/T97.1 Washers 5 (Optional)	4
	GB1300006	GB/T889.1 Nuts M5 (Optional)	4
18	A10500002	Main Platform Base	1
19	A10500089	Rotate Door	1
20	WG0100001	Hinge	2
21	GB1100002	GB/T5782 Bolt M6*50	8
22	GB1500003	GB/T93.1 Elastic Washers 8	8

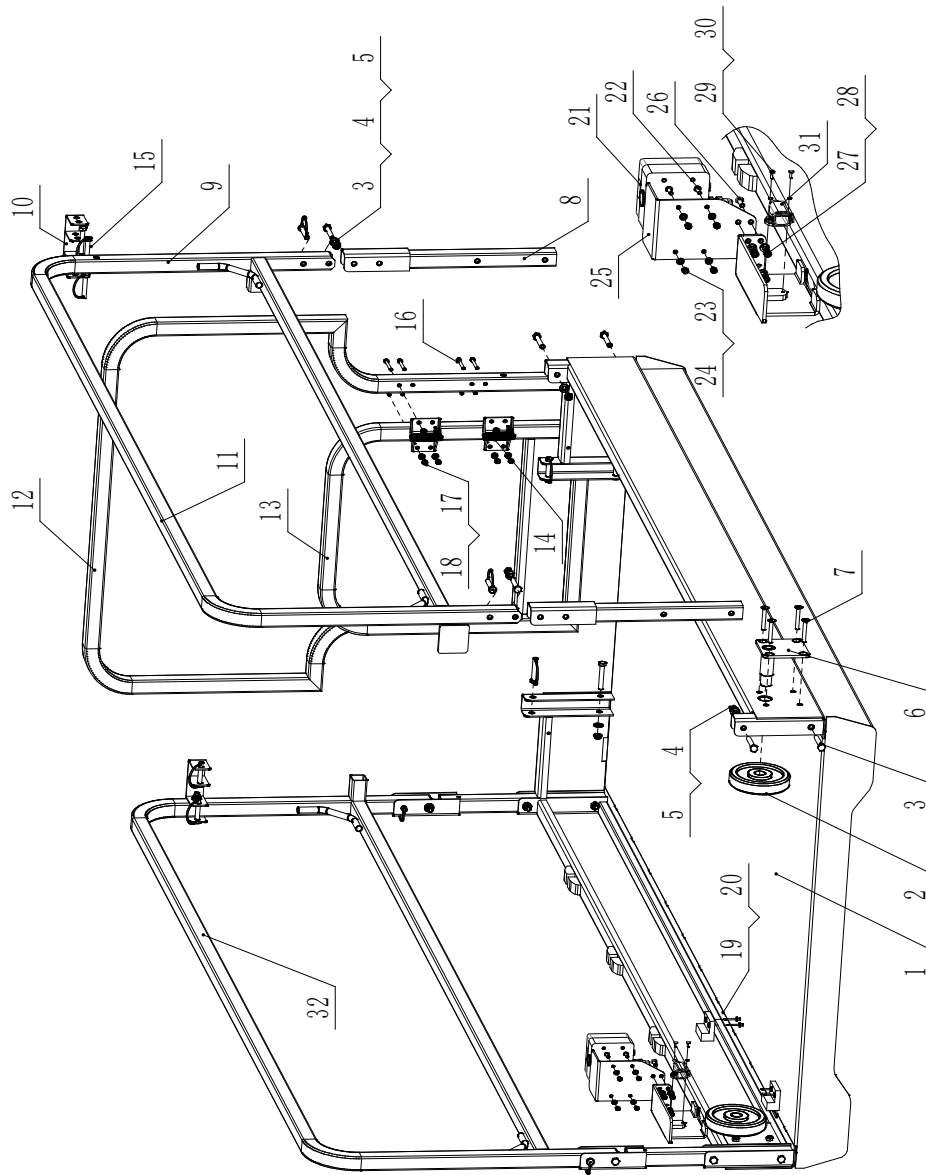
3.2 Extension Platform Assembly



3.2 Extension Platform Assembly

No.	Part no.	Designation	Qty.
1	A10500038	Extend Platform Guard Bar2	1
2	WG0100009	File box	1
3	GB1200017	GB/T70.2 Screw M5*16	4
4	GB1400003	GB/97.1 Washers 5	4
5	GB1300006	GB/T6172.2 Nuts M5	4
6	A10500039	Extend Platform Guard Bar3	1
7	WG0300001	PCU	1
8	A10500080	Controller Base	1
9	GB1200003	GB/T70.2 Screw M6*20	4
10	GB1500007	GB/T93 Elastic Washers 6	4
11	GB1400002	GB/T97.1 Washers 6	4
12	GB1100001	GB/T5782 Bolt M10*60	12
13	GB1400001	GB/T97.1 Washers 10	14
14	GB1300010	GB/T6172.2 Nuts M10	12
15	A10500037	Extend Platform Guard Bar1	1
16	A10500007	Extend Platform Base	1
17	A10500100	Platform locking mechanism	1
18	GB1200008	GB/T70.1 Screw M10*25	2
19	A10500078	Roller	2
20	A10500074	Roller base	2
21	GB1100004	GB/T5783 Bolt M8*60	8
22	A10500501	Cover plate	1
23	A10500080	PCU Base	1
24	GB1500003	GB/T93.1 Elastic Washers 8	8
25	GB1400018	GB/T97.1 Washers 8	8

3.3 Folded Main Platform Assembly

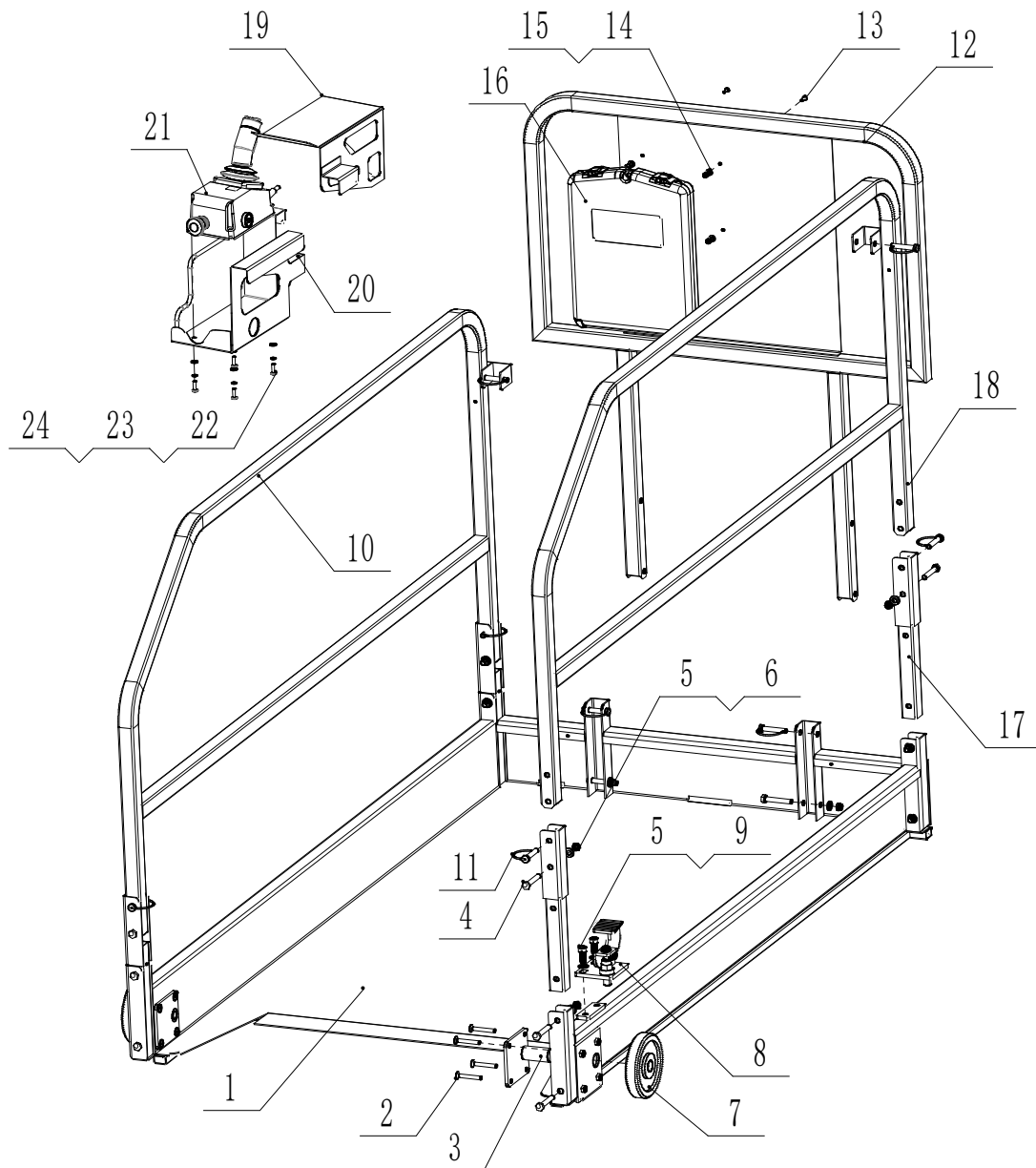


3.3 Folded Main Platform Assembly

No.	Part no.	Designation	Qty.
1	A10500002	Main Platform base	1
2	A10500078	Roller	2
3	GB1100001	GB/T5782 Bolt M10*60	16
4	GB1300010	GB/T6172.2 Nuts M10	12

No.	Part no.	Designation	Qty.
5	GB1400001	GB/T97.1 Washers 10	12
6	A10500076	Roller support	2
7	GB1200041	GB/T70.3 Screw M8*55	8
8	A10500053	Connection	4
9	A10500056	Main Platform Guard Bar 1	1
10	A10500071	Guard bar connection plant	2
11	A10500063	bent pipe 1	1
12	A10500057	Main Platform Guard Bar 3	1
13	A10500089	Door	1
14	GB0100001	Hinge	2
15	WG1800007	Safety pin	10
16	GB1100002	GB/T5782 Bolt M6*50	8
17	GB1400002	GB/T97.1 Washers 6	8
18	GB1300002	GB/T6172.2 Nuts M6	8
19	A10500084	Slider	4
20	GB1800002	GB/T12618.1 Rivet 5*16	8
21	WG0300020	Socket	1
22	GB1200017	GB/T70.2 Screw M5*16	4
23	GB1400003	GB/T97.1 Washers 5	4
24	GB1300006	GB/T6172.2 Nuts M5	4
25	A10500095	Socket mounting plate	1
26	GB1200003	GB/T70.2 Screw M6*20	3
27	GB1400002	GB/T97.1 Washers 6	3
28	GB1300002	GB/T6172.2 Nuts M6	3
29	GB1200050	GB/T818-2000 Screw M3x10	2
30	GB1500012	GB/T93.1 Spring Washers 3	2
31	WG0300059	Joint	1
32	A10500055	Main Platform Guard Bar 2	1

3.4 Folded Extension Platform Assembly



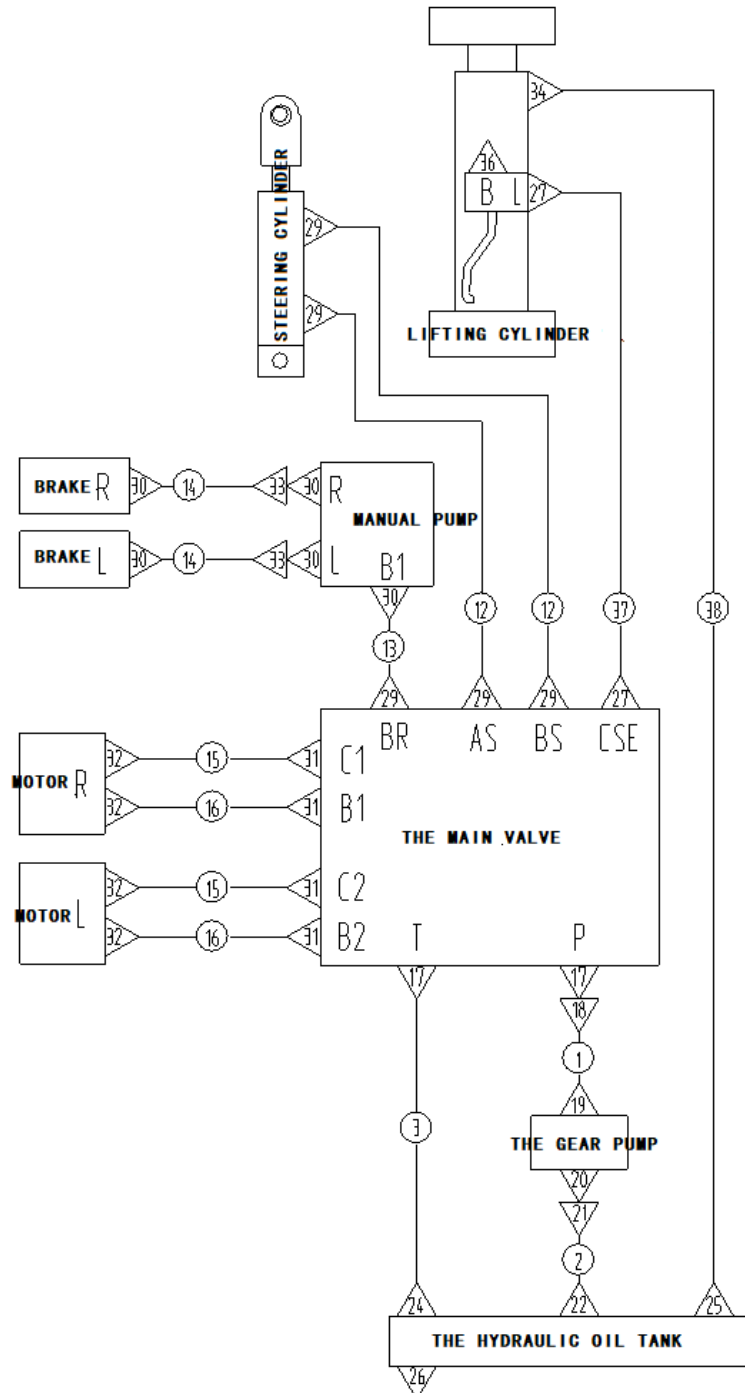
3.4 Folded Extension Platform Assembly

No.	Part no.	Designation	Qty.
1	A10500007	Extend platform base	1
2	GB1100004	GB/T70.3 Screw M8*55	8
3	A10500076	Roller support	2
4	GB1100004	GB/T5783 Bolt M8*60	14
5	GB1300010	GB/T6172.2 Nuts M10	14
6	GB1400001	GB/T97.1 Washers 10	12
7	A10500078	Roller	2
8	A10500033	Platform locking mechanism	1
9	GB1200008	GB/T 70.1 Screw M10*25	2
10	A10500061	Extend Platform Guard Bar 2	1
11	WG1800007	Safety pin	8
12	A10500062	Extend Platform Guard Bar 3	1
13	GB1200017	GB/T70.2 Screw M5*16	4
14	GB1300002	GB/T6172.2 Nuts M6	4
15	GB1400002	GB/T97.1 Washers 6	4
16	GB0100009	File box	1
17	A10500050	Extend Platform Connection	4
18	A10500060	Extend Platform Guard Bar 1	1
19	A10500501	Cover plate	1
20	WG0300001	PCU	1
21	A10500080	PCU Base	1
22	GB1200003	GB/T70.2 Screw M6*20	4
23	GB1500007	GB/T93 Elastic Washers 6	4
24	GB1400002	GB/T97.1 Washers 6	4

Chapter 4

Hydraulic System

4.1 Hydraulic Pipeline (ES80E)

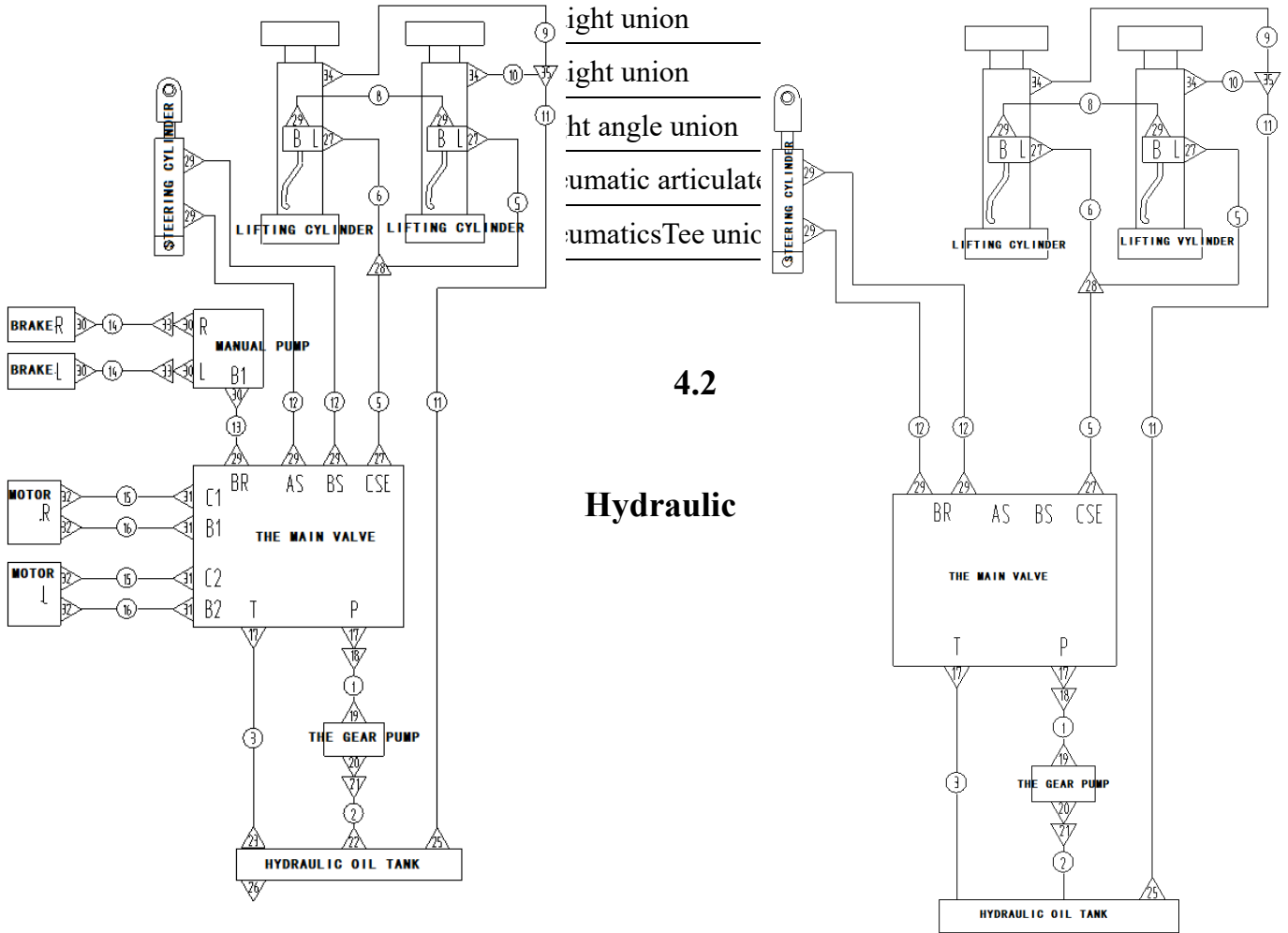


4.1 Hydraulic Pipelin (ES80E)

No.	Part no.	Designation	Qty.
1	WG0200039	Hydraulic hose	1
2	WG0200037	Hydraulic hose	1
3	WG0200038	Hydraulic hose	1
4	WG0200040	Hydraulic hose	1
5	WG0200043	Hydraulic hose	1

No.	Part no.	Designation	Qty.
6	WG0200044	Hydraulic hose	1
7	WG0200045	Hydraulic hose	1
8	WG0200046	Hydraulic hose	1
9	WG0200050-1	PU Windpipe	1
10	WG0200050-2	PU Windpipe	1
11	WG0200050-3	PU Windpipe	1
12	WG0200036	Hydraulic hose	2
13	WG0200041	Hydraulic hose	1
14	WG0200042	Hydraulic hose	2
15	WG0200034	Hydraulic hose	2
16	WG0200035	Hydraulic hose	2
17	WG0200032	Straight union	2
18	WG0200025	Right angle union	1
19	WG0200024	Straight union	1
20	WG0200022	Straight union	1
21	WG0200023	Right angle union	1
22	WG0200001-4	Union	1
23	WG0200021	Straight union	2
24	WG0200001-5	Union	1
25	WG0200001-9	Pneumatic combination union	1
26	WG0200001-12	Plug	1
27	WG0200026	Straight union	3
28	WG0200028	Tee union	1

29	WG0200027	straight union	7
30	WG0200029	straight union	5



Pipeline(ES100E/ES120E)

4.2 Hydraulic Pipeline(ES100E/ES120E)

No.	Part no.	Designation	Qty.
1	WG0200039	Hydraulic hose	1
2	WG0200037	Hydraulic hose	1
3	WG0200038	Hydraulic hose	1
5	WG0200043	Hydraulic hose	1
6	WG0200044	Hydraulic hose	1
7	WG0200045	Hydraulic hose	1

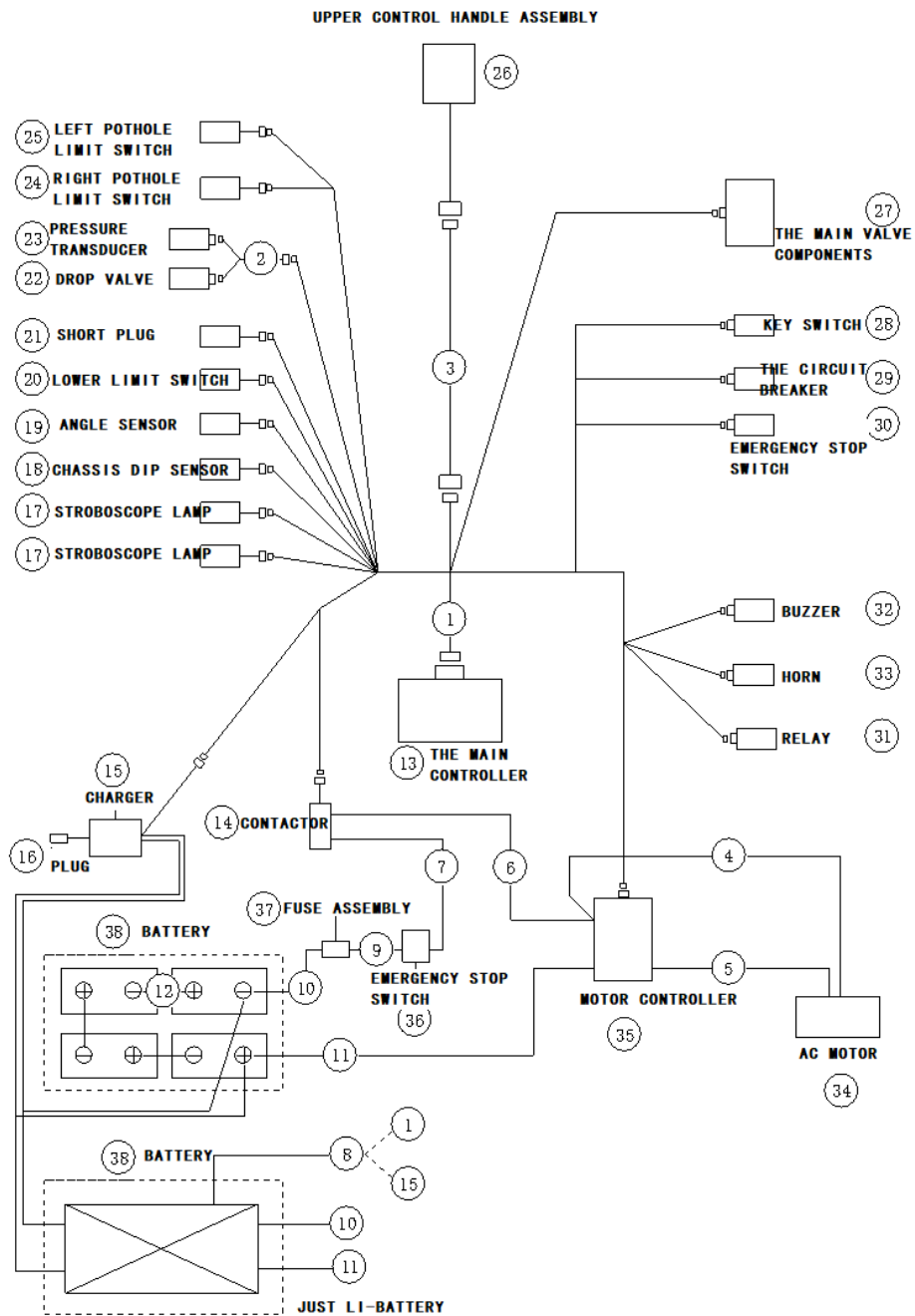
No.	Part no.	Designation	Qty.
8	WG0200046	Hydraulic hose	1
9	WG0200050-1	PUWindpipe	1
10	WG0200050-2	PUWindpipe	1
11	WG0200050-3	PUWindpipe	1
12	WG0200036	Hydraulic hose	2
13	WG0200041	Hydraulic hose	1
14	WG0200042	Hydraulic hose	2
15	WG0200034	Hydraulic hose	2
16	WG0200035	Hydraulic hose	2

17	WG0200032	straight union	2
18	WG0200025	Right angle union	1
19	WG0200024	straight union	1
20	WG0200022	straight union	1
21	WG0200023	Right angle union	1
22	WG0200001-4	Union	1
23	WG0200021	straight union	2
24	WG0200001-5	Union	1
25	WG0200001-9	Pneumatic combination union	1
26	WG0200001-12	Plug	1
27	WG0200026	straight union	3
28	WG0200028	Tee union	1
29	WG0200027	Through joint	7
30	WG0200029	Through joint	5
31	WG0200030	Through joint	4
32	WG0200031	Through joint	4
33	WG0200033	Through joint	2
34	WG0200048	Pneumatic joint	2
35	WG0200004	Pneumatic tee	1

Chapter 5

Electrical System

5.1 Electrical Harness



5.1 Electrical Harness

No.	Part no.	Designation	Qty.
1	A10600002	Main cable	1
2	A10600012	TO Y2/PT15	1
3	A10600011	TO PCU	1

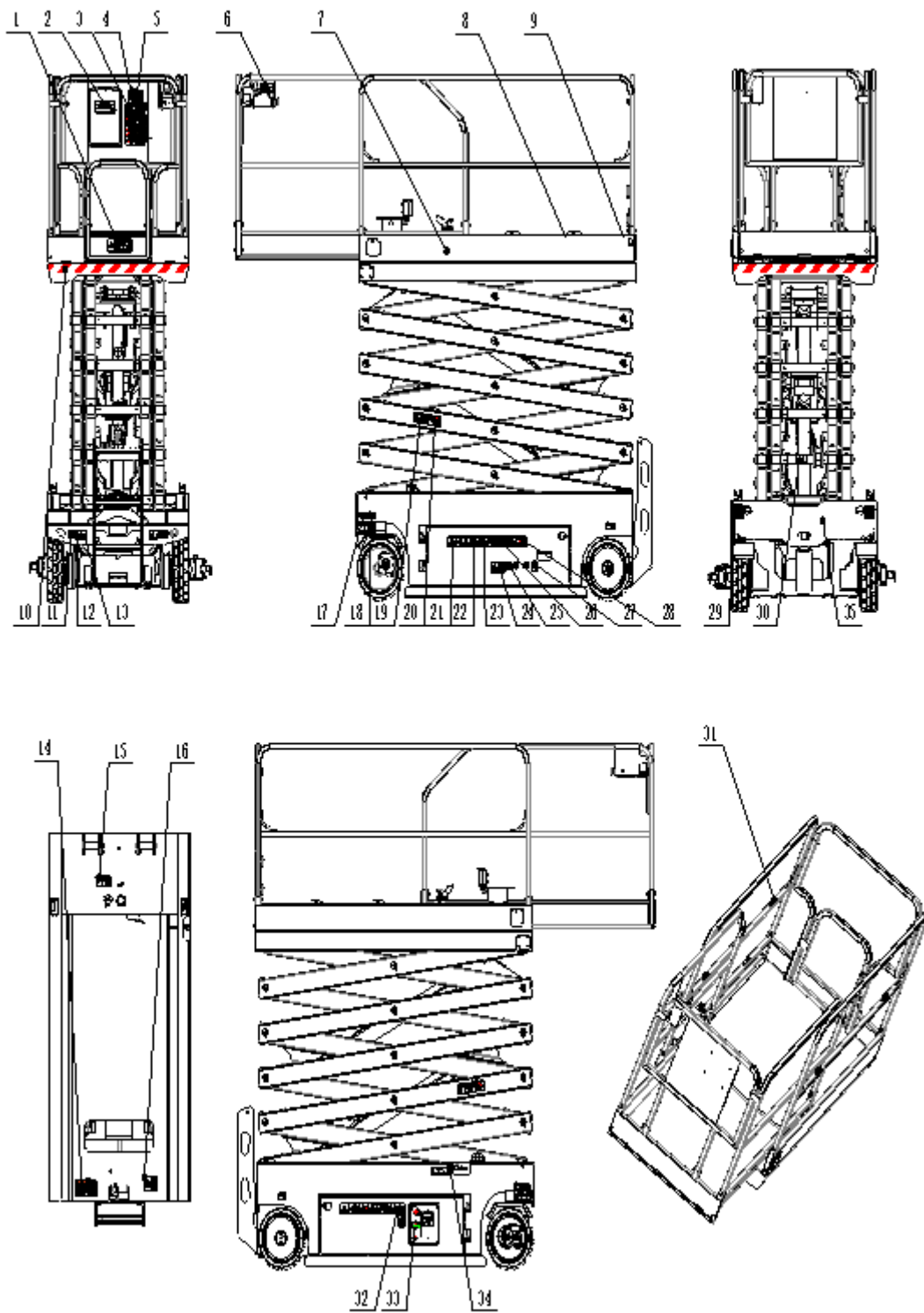
4	A10600017	MC- B+ ->MOTOR A1	1
5	A10600009	MC->MOTOR D1	1
6	A10600006	CONTACTOR->MC B+	1
7	A10600003	QD->CONTACTOR	1
8	A10600151	Lithium LOC	1
9	A10600044	FUSE ->STOP	1
10	A10600004	BATTERY->FUSE	1

No.	Part no.	Designation	Qty.
11	A10600043	BATTERY-> MC B+	1
12	A10600005	BATTERY->BATTERY	3
13	WG0300002	ECU	1
14	WG0300028	Contactator	1
15	WG0300027	Charger	1
16	WG0300021	Plug	1
17	A10600015	TO FB	2
18	WG0300004	Tilt sensor	1
19	WG0300014	Angle Sensor	1
20	A10600014	Limit Switch	1
21	A10600051	Plug	1
	A10600050	Limit Switch	1
22	WG0200074	Lowering valve	1
23	WG0300013	Load sensor	1
24	A10600018	PotholesLimit Switch	1
25			1
26	WG0300001	PCU	1
27	A10700026	Main valve	1
28	WG0300009	Key switch	1
29	WG0300029	Circuit breaker	1
30	WG0300005	E-stop switch	1
31	WG0300019	Relay	1
32	WG0300015	Alarm	1
33	WG0300017	Horn	1
34	WG0300003	Motor	1
35	WG0300025	Motor controller	1
36	WG0300008	QD	1

37	WG0300010	FUSE	1
38	WG0300026	Battery T105 (ES0812, ES1012)	4
	WG0300088	Battery 3-DF-180 (ES0812, ES1012)	4
	WG0300007	Battery T1275 (ES1212)	4
	WG0300087	Battery 3-DF-240 (ES1212)	4
	WG0300083	Lithium Battery TFL24-220-JL1	1

Chapter 6 Labels

6.1 Labels



6.1 Labels

No.	Part no.	Description	Qty.
1	A11000058	Maximum Capacity(ES0812)	1
	A11000006	Maximum Capacity(ES1012)	1
	A11000042	Maximum Capacity(ES1212)	1
2	A11000001	File Box	1
3	A11000002	Brief Instructions	1
4	A11000080	Manual Force, 400N (ES0812)	1
	A11000013	Manual Force,Indoor400N,Outdoor200N(ES1012)	1
	A11000038	Manual Force,Only Indoor400N (ES1212)	1
5	A11000003	Tip-over Hazard	2
6	A11000004	Refer to Operator's Manual	1
7	A11000007	LOGO - platform,	2
8	A11000047	Model, ES0812	2
	A11000008	Model, ES1012	2
	A11000048	Model, ES1212	2

6.1 Labels

No.	Part no.	Description	Qty.
9	A11000010	CE	1
10	A11000009	Warning Reflective Band, ES12	2
11	A11000020	Transport Tie-down	4
12	A11000021	Lifting Point	4
13	A11000032	Forklift Pocket	2
14	A11000012	Data Plate	1
15	A11000031	Tip-over Hazard, Tilting Switch	1
16	A11000028	Brake release safety and operating instructions	1
17	A11000017	Directional Arrows	2
18	A11000067	Wheel Load(ES0812)	4
	A11000014	Wheel Load(ES1012)	4
	A11000043	Wheel Load(ES1212)	4
19	A11000015	Crushing Hazard	2
20	A11000016	Crushing Hazard	2
21	A11000027	Tip-over Hazard, Open Trays	2
22	A11000024	Use Safety Arm	2
23	A11000025	Electrocution Hazard	2
24	A11000030	Electrocution Hazard, Plug	1
25	A11000018	Power to Charger	1
26	A11000034	Tip-over Hazard, Batteries (ES0812, ES1012)	1
	A11000044	Tip-over Hazard, Batteries (ES1212)	1
27	A11000011	Power to Platform, 230V(optional)	2
28	A11000026	Battery/Charger Safety	1
29	A11000033	Transport Diagram	2
30	A11000029	Safety Arm	1
31	A11000005	Lanyard Anchorage Point	4
32	A11000023	Compartment Access	1
33	A11000019	Lower control panel	1
34	A11000022	Emergency Lowering	1
35	A11000090	LOGO- Chassis	1

