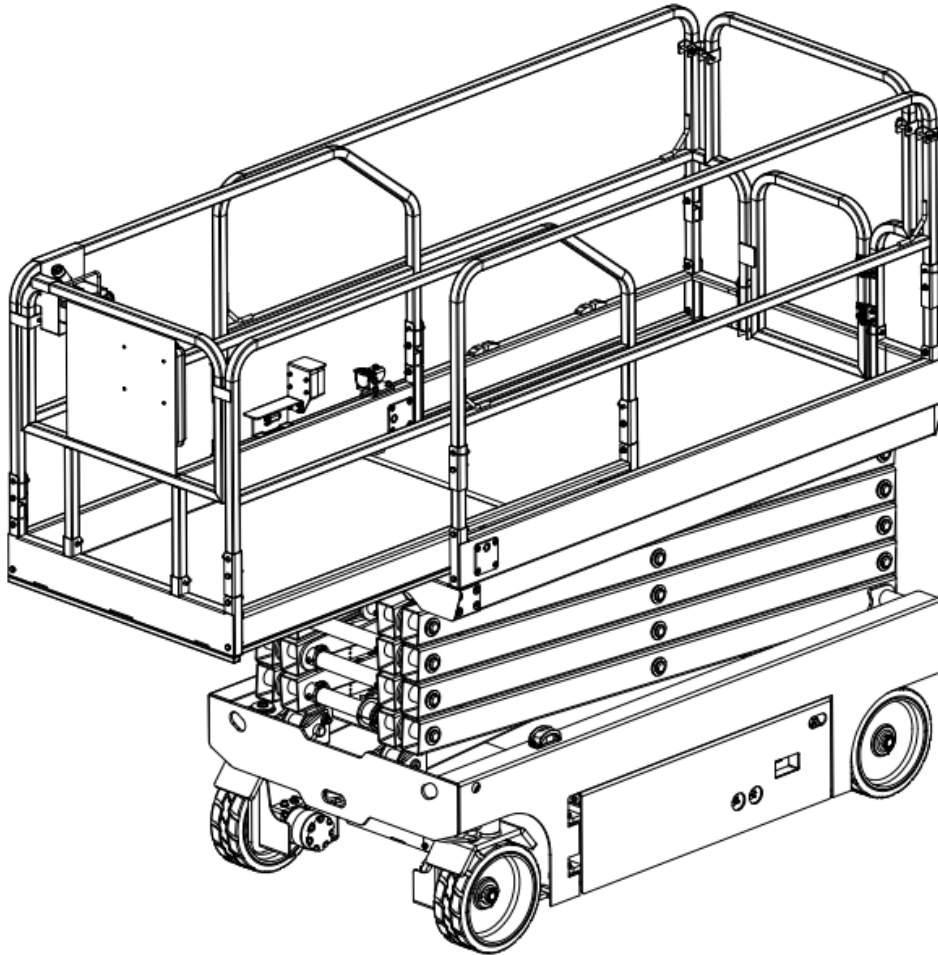




Electric Scissor Lift Work Platform

Parts Manual

ES40E / 60E



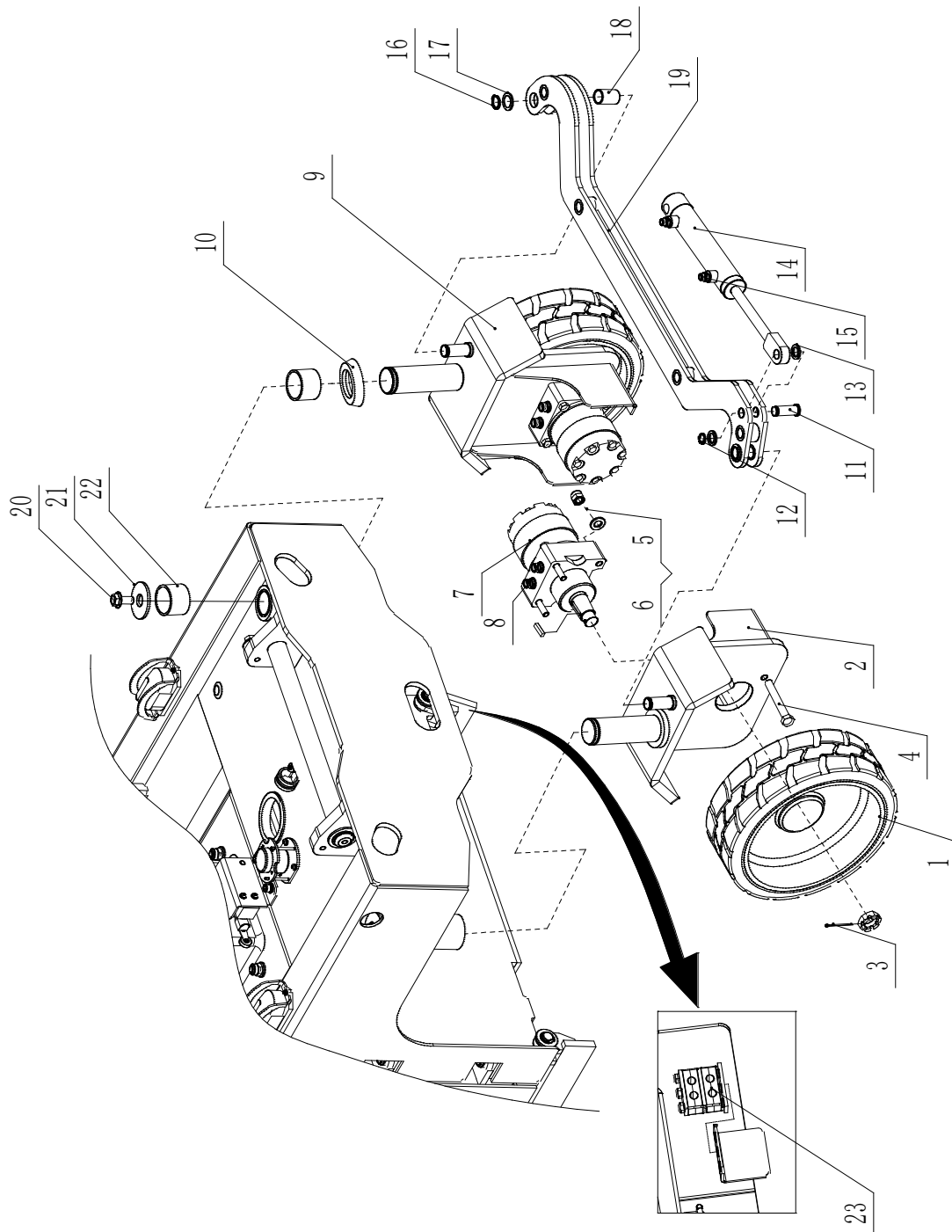
Frist Edition January 2022

Catalogue

Chapter 1 Chassis.....	1
1.1 Steering Assembly.....	2
1.2 Pothol Assembly	4
1.3 Battery Box Assembly	6
1.4 Tank Side Assembly	8
1.5 Rear axle assembly.....	10
1.6. Ladder assemble.....	11
1.7 Middle weight.....	12
1.8 Behind weight	13
Chapter 2 Scissors	14
2.1.Scissors Assembly.....	15
2.2 Oil cylinder Assembly	17
Chapter 3 Platform.....	18
3.1. Main Platform Assembly.....	19
3.2. Extension Platform Assembly.....	21
3.3Main Platform Assembly (Fixed)	23
3.4 Extension Platform Assembly(Fixed)	25
Chapter 4	27
4.1 Hydraulic Pipeline.....	28
Chapter 5	30
5.1 Electrical Harness.....	31
Chapter 6 Label	34
6.1Labels	35

Chapter 1 Chassis

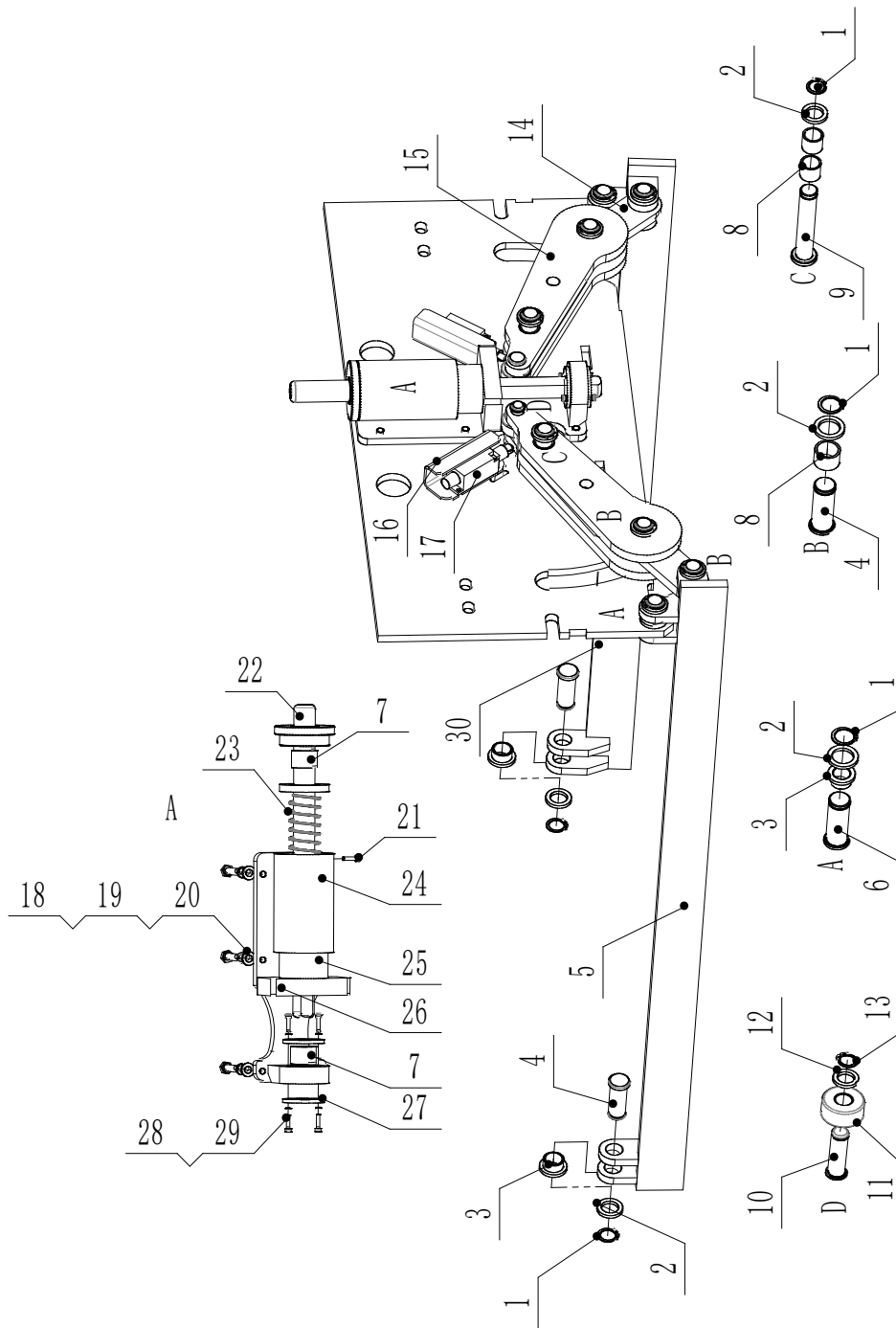
1.1 Steering Assembly



1.1 Steering Assembly

No.	Part no.	Designation	Qty.
1	WG0200072	Tire	2
2	A10200546	Left Bogie	1
3	WG0200071	GB / T91 Split Pins 4*63	2
4	GB1100007	GB/T5782 Bolt M12*90-12.9	8
5	GB1400020	GB/T97.1 Washers 12	8
6	GB1300008	GB/T889.1 Nuts M12	8
7	WG0200071	Motor	2
8	WG0200031	Hydraulic Fitting	4
9	A10200547	Right Bogie	1
10	A10200631	Copper washer 2	2
11	A10200615	Clevis Pins	1
12	GB1600005	JB/ZQ4342 Rings for Shafts(Heavy Duty) 25	1
13	GB1400027	GB/T97.1 Washers 20	2
14	WG0200011	Steering Cylinder Assembly	1
15	WG0200027	Hydraulic Fitting	2
16	GB1600020	JB/ZQ4342 Rings for Shafts(Heavy Duty) 25	2
17	GB1400028	GB/T97.3 Washers 25	4
18	A10200617	Sleeves 30*25*40	2
19	A10200543	Steering Connecting Rod	1
20	GB1100038	GB/T5789 Bolt M12*25	2
21	GB1400023	GB/T96.1 Washers-Large 24	2
22	A10300079	Sleeves	4
23	WG0200047	Tubing Clip	1

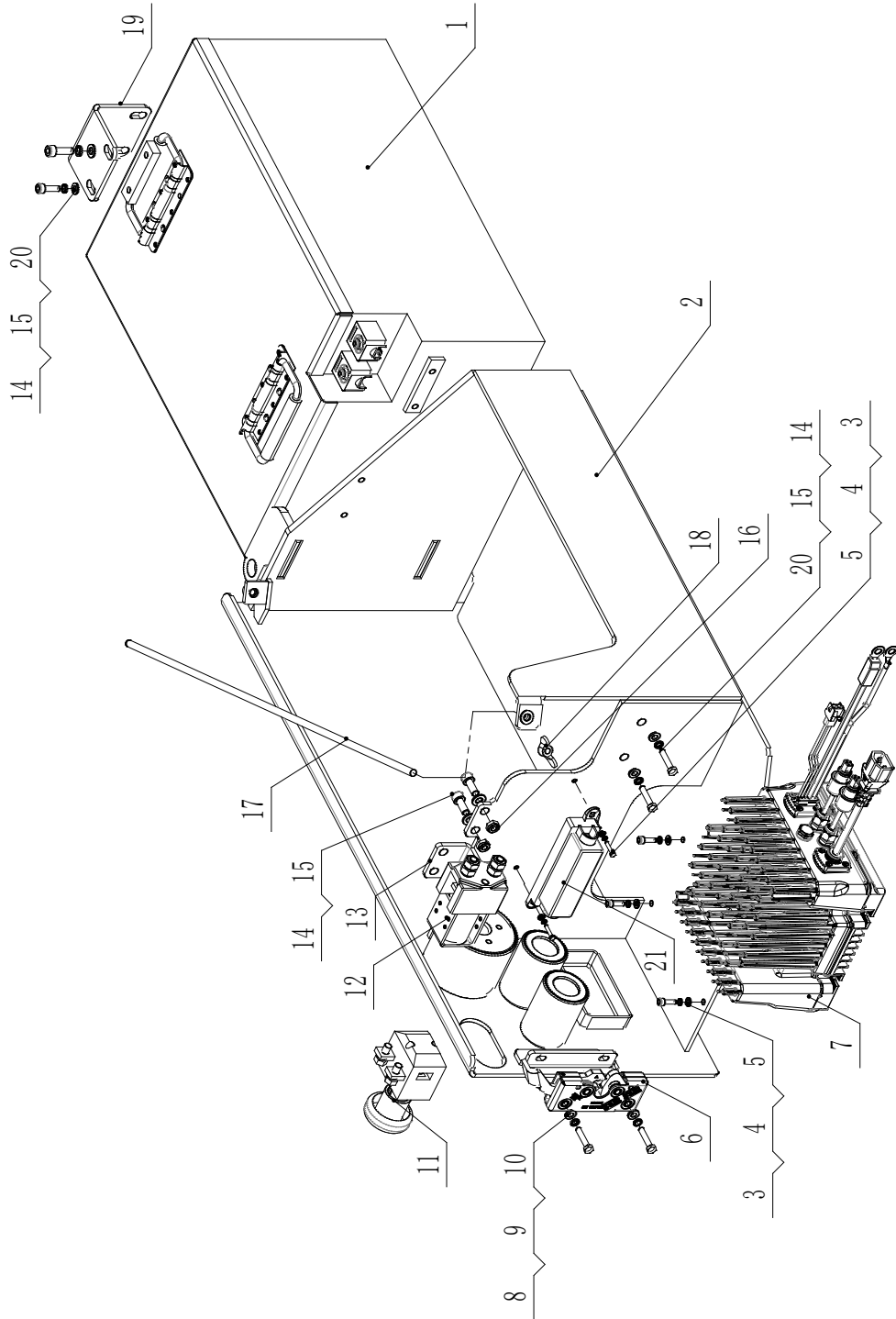
1.2 Pothol Assembly



1.2 Pothol Assembly

No.	Part No.	Designation	QTY
1	GB160000	JB/ZQ4342 Rings for Shafts (Heavy Duty) 20	10
2	GB140000	GB/T 97.1 Washer 20	10
3	A1020020	Flange copper sleeve 32 * 4-24 * 20 * 15	4
4	A1020055	Clevis Pins	6
5	A1020077	Pothole weldment left	1
6	A1020052	Clevis Pins	2
7	A1030055	Shaft sleeve 30 * 25 * 20	2
8	A1020061	Shaft sleeve 24 * 20 * 12	8
9	A1020054	Clevis Pins	2
10	A1020052	Roller pin	2
11	A1020083	Roller	2
12	GB140000	GB / T 97.1 Washer 14	2
13	GB160000	JB/ZQ4342 Rings for Shafts (Heavy Duty) 15	2
14	A1020054	Pothole connecting rod	2
15	A1020029	Eccentric block	2
16	A1020033	Travel switch guard	2
17	WG03000	Travel switch	2
18	GB110003	GB / T5783 Bolt M8 * 30	6
19	GB150000	GB/T93. 1 Elastic Washers 8	6
20	GB140001	GB/T97. 1 Washer 8	6
21	GB120002	GB/T70. 2 Screws M4 * 30	1
22	A1030056	Pressure bar welding	1
23	A1030060	Spring (40 * 20 * 85)	1
24	A1030055	Welding of compression mechanism	1
25	A1030055	304 stainless steel seamless pipe	1
26	A1030055	Pressing block	1
27	A1030056	GB/T97. 3 non standard Washers 25	2
28	GB150000	GB/T93. 1 Elastic Washers 4	4
29	GB120002	GB/T70. 2 Screws M4 * 30	4
30	A1020076	Pothole weldment right	1

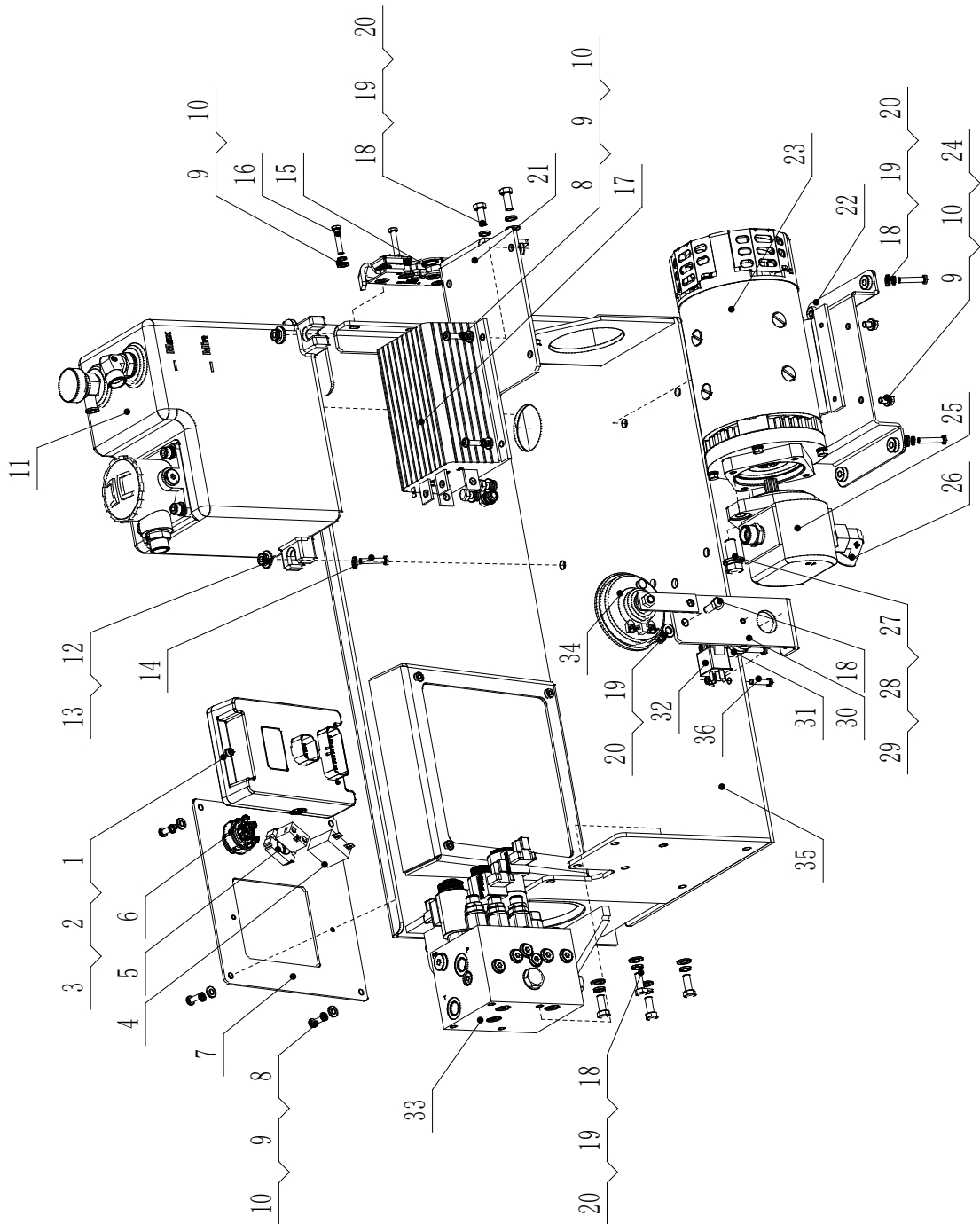
1.3 Battery Box Assembly



1.3 Battery Box Assembly

No.	Part No.	Designation	QTY
1	WG0300094	Lithium battery	1
	WG0300088	Lead-acid batteries	1
2	A10200535	Battery box weldment	1
3	GB1400003	GB/T 97.1 Washers 5	6
4	GB150005	GB/T 93.1 Spring washers 5	6
5	GB1200002	GB/T70.1 Screw M5*16	6
6	WG0100003	Lock	1
7	WG0300027	Charger	1
8	GB1400002	GB/T97.1 Washers 6	2
9	GB1500007	GB/T93.1 Spring washers 6	2
10	GB1100042	GB/T 5783 Bolt M6*30	2
11	WG0300130	Power switch	1
12	WG0300028	Anderson Connector	1
13	A10200423	Contact support	1
14	GB1200021	GB/T70.1 Screw M8*20	8
15	GB1400018	GB/T97.1 Washers 8	8
16	GB1300009	GB/T6172.2 Nut M8	2
17	A10200576	M8 screw	1
18	GB1800022	GB/T62 Nut M8	1
19	A10200430	Battery mount	1
20	GB1500003	GB/T93.1 Spring washers 8	6
21	WG0300013	Fuse base	1

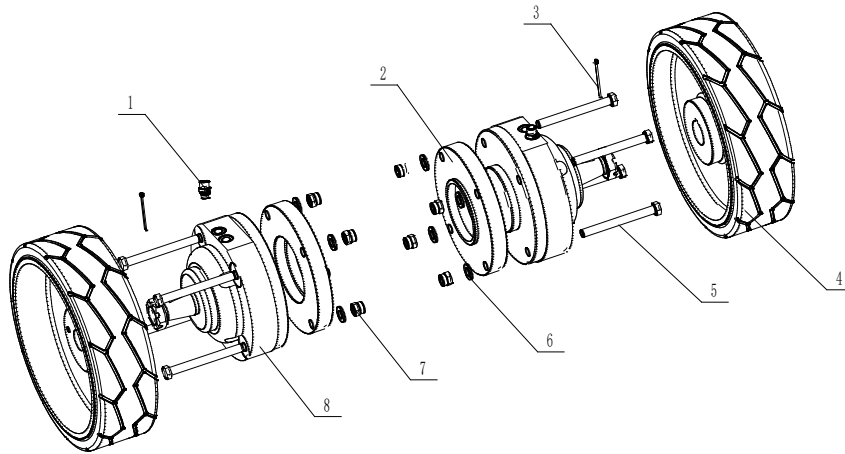
1.4 Tank Side Assembly



1.4 Tank Side Assembly

No.	Part No.	Designation	Qty
1	WG0300002	ECU E500	1
2	GB1200018	GB/T70.2 Bolt M4*16	2
3	GB1500004	GB/T93.1 washer 4	2
4	WG0300029	Circuit breaker	1
5	WB0300009	Key switch	1
6	WB0300005	E-stop switch	1
7	A10200091	Control panel	1
8	GB1200003	GB/T 70.2 Bolt M6*20	8
9	GB1500007	GB/T93.1 Spring Washer 6	14
10	GB1400002	GB/T97.1 washer 6	14
11	WG0200126	Hydraulic tank	1
12	GB1300009	GB/T6172.2 Nut M8	2
13	GB1400001	GB/T97.1 Washer 10	2
14	GB1100056	GB/T 5783 Bolt M8*40	2
15	WG0100002	Lock	1
16	GB1100042	GB/T 5783 Bolt M6*30	2
17	WG0300025	Motor controller	1
18	GB1100032	GB/T 5783 Bolt M8*20	7
19	GB1500003	GB/T93.1 Spring Washer 8	7
20	GB1400018	GB/T97.1 Washer 8	7
21	A10200650	Motor controller bracket	1
22	A10200636	Motor bracket	1
23	WG0300089	Motor	1
24	GB1100039	Bolt 1/4-20UNC*0.5	4
25	WG0200002	Gear pump	1
26	WG0200023	Hydraulic Fitting	1
27	GB1100010	BS-1768 Bolt 3/8- 24UNF1	2
28	GB1500009	GB/T93.1 Spring Washer 12	2
29	GB1400020	GB/T97.1 Washer 12	2
30	A10200596	Mounting plate	1
31	WG0300015	Alarm	1
32	WG0300019	Relay	1
33	A10700035	Main valve	1
34	WG0300017	Horn	1
35	A10200536	Tank Side Weldment	1
36	GB1100009	GB/T5783 Bolt M6*25	2

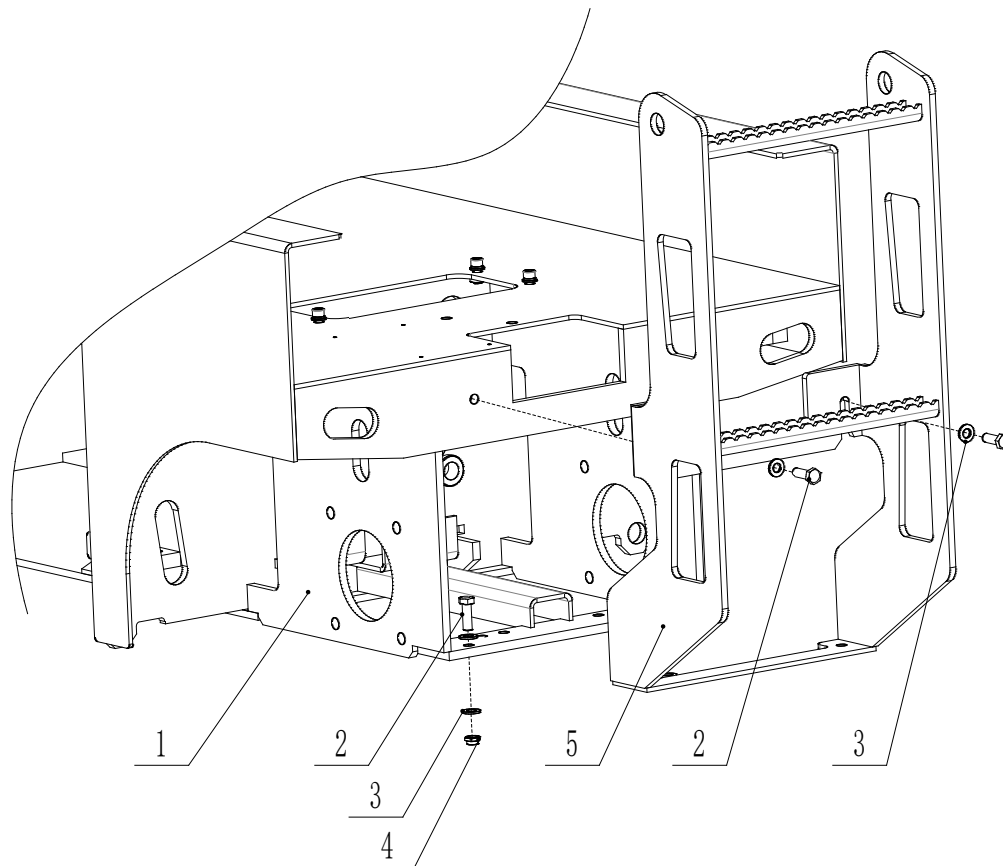
1.5 Rear axle assembly



1.5 Rear axle assembly

No.	Part No.	Designation	Qty
1	WG0200029	Hydraulic Fitting	2
2	A10200634	Rear Washer	2
3	GB1800006	GB/T91 Split Pins 4*63	2
4	WG0200072	Tire	2
5	GB1100052	GB/T5782 Bolt M12*120-12.9	8
6	GB1400020	GB/T97.1 Flat washer 12	8
7	GB1300008	GB/T 889.1 Nut M12-10	8
8	910200006	Brake	2

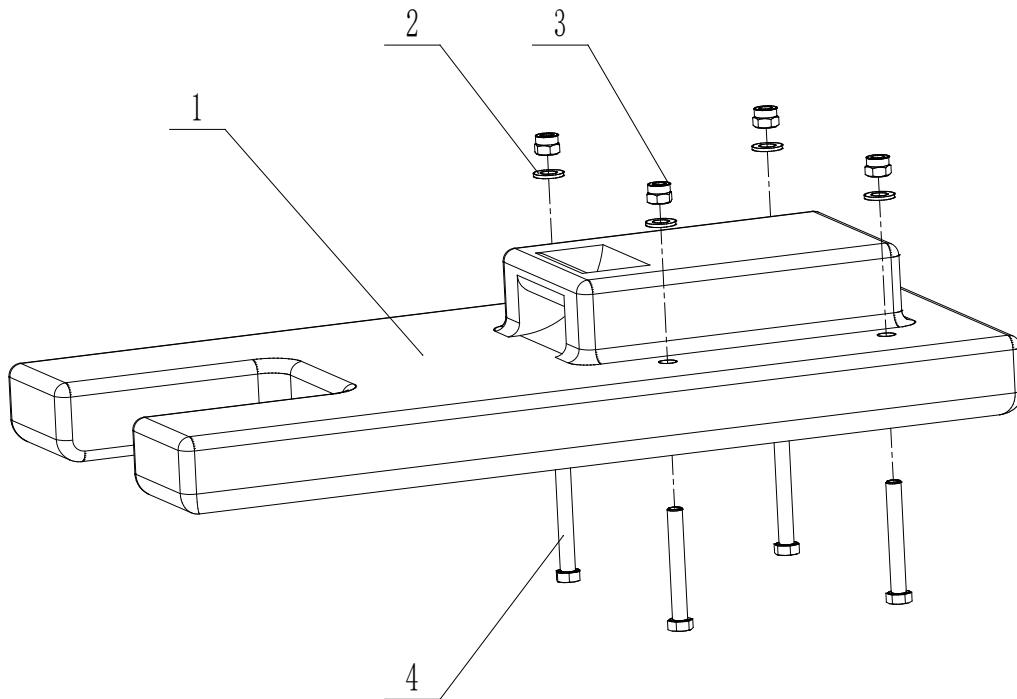
1.6. Ladder assemble



1.6. Ladder assemble

No.	Part No.	Designation	Qyt
1	A10200532	Chassis assemble	1
2	GB1100006	GB/T 5783 Bolt M10*30	4
3	GB1400001	GB/T97.1 Flat washer 10	8
4	GB1300010	GB/T6172.2 Nut M10	4
5	A1020537	Ladder assemble	1

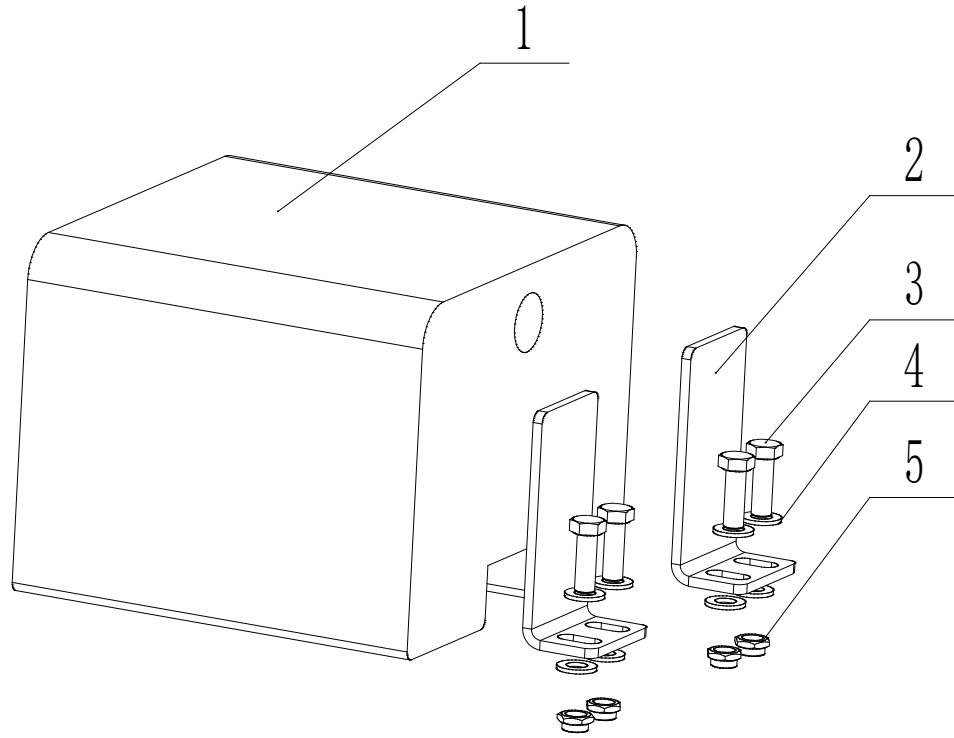
1.7 Middle weight



1.7 Middle weight

No.	Part No.	Designation	Qty
1	A10200486	Weight 130Kg	1
2	GB1400020	GB/T97.1 Flat washer 12	4
3	GB1100007	GB/T 5782 Bolt M12*90-10.9	4
4	GB1300008	GB/T 889.1 Nut M12	4

1.8 Behind weight

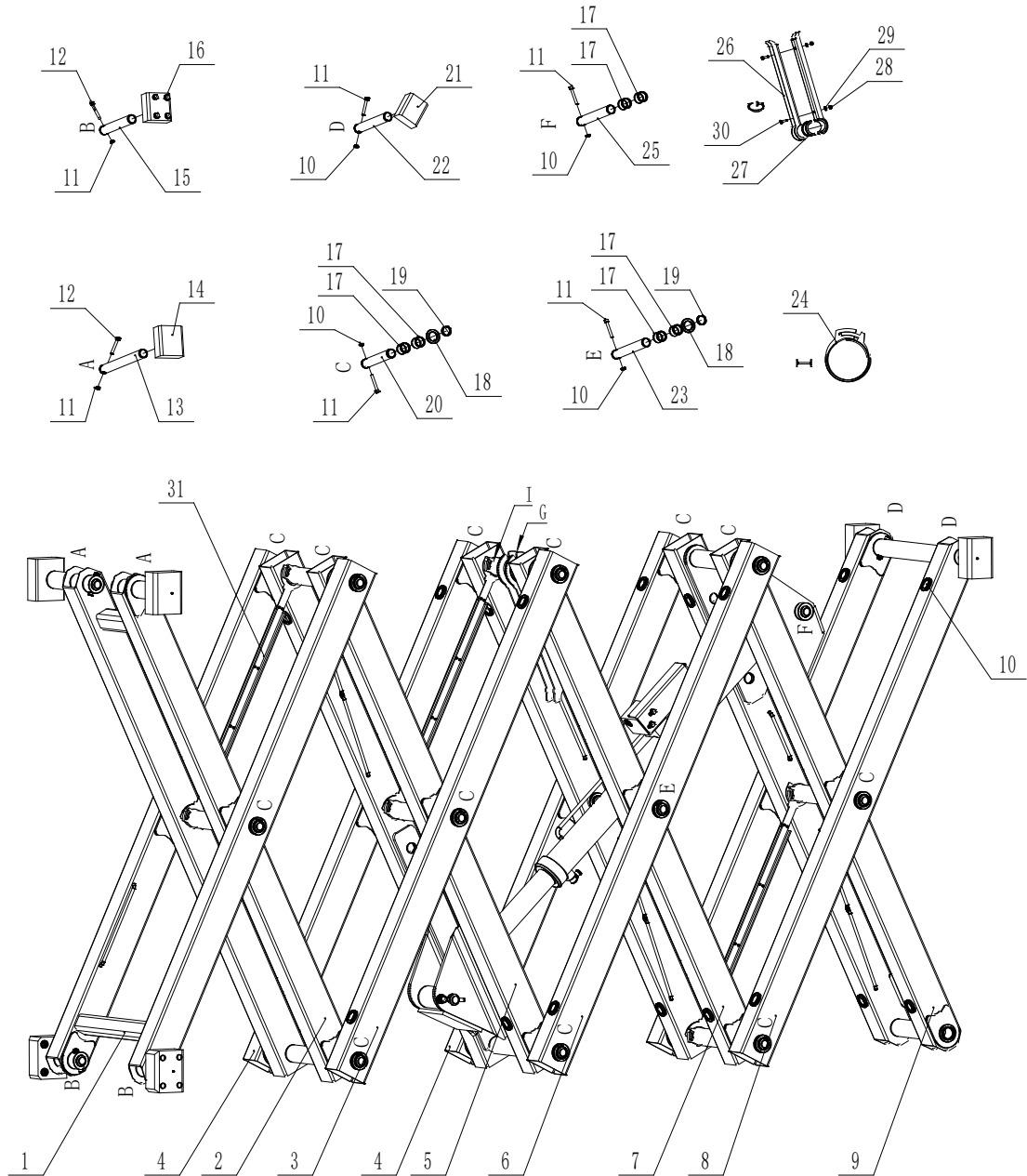


1.8 Behind weight

No.	Part No.	Designation	Qty
1	A10200020	Weight assembly	1
2	A10200646	Baffle 2	2
3	GB1100006	GB/T 5783 Bolt M10*30	4
4	GB1400001	GB/T97.1 Washer 10	8
5	GB1300010	GB/T6172.2 Nut M10	4

Chapter 2 Scissors

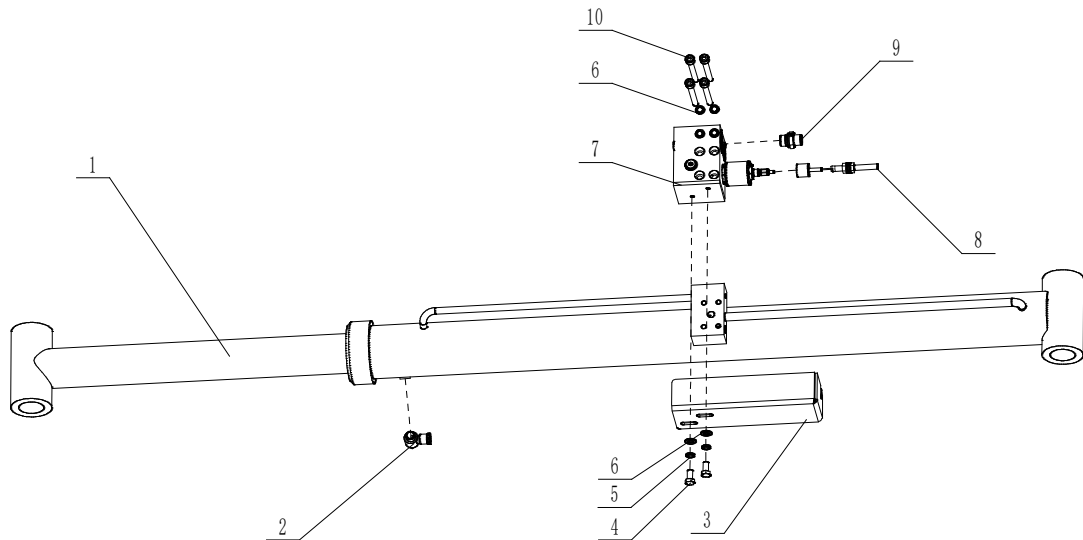
2.1.Scissors Assembly



2.1. Scissors Assembly

No.	Part no.	Designation	Qty.
1	A10300461	Weldment, Link, Outer 6	1
2	A10300466	Weldment, Link, Inner 4	1
3	A10300467	Weldment, Link, Outer 2	1
4	A10300458	Weldment, Link, Outer 2A	2
5	A10300464	Weldment, Link, Inner 3	1
6	A10300462	Weldment, Link, Outer 2B	1
7	A10300457	Weldment, Link, Inner 2	1
8	A10300455	Weldment, Link, Outer 1	1
9	A10300454	Weldment, Link, Inner 1	1
10	A10300200	Cushion	22
11	GB1300009	GB/T6172.2 Nut M8	22
12	GB1200029	GB/T 70.1 Bolt M8*60	22
13	A10300511	Clevis Pins 5	2
14	A10300515	Slider 3	2
15	A10300513	Clevis Pins 4	2
16	A10300526	Slider 4	2
17	A10300488	Sleeves Φ 38.1 \times 32L	30
18	A10300751	Shaft with washer 32	16
19	GB1600023	JB/ZQ4342 Elastic Washers 32	16
20	A10300509	Clevis Pins 6	9
21	A10300514	Slider 1	2
22	A10300510	Clevis Pins 1	2
23	A10300570	Clevis Pins 7	2
24	WG0100019	Hoop V	4
25	A10300512	Clevis Pins 2	1
26	A10300504	Safety arm plate	2
27	A10300505	Bracket sheath	2
28	GB1100006	GB/T 5783 Bolt M10*30	2
29	GB1400001	GB/T97.1 Flat washer 10	4
30	GB1300010	GB/T6172.2 Nut M10	2
31	A10300516	Wiring board	2

2.2 Oil cylinder Assembly

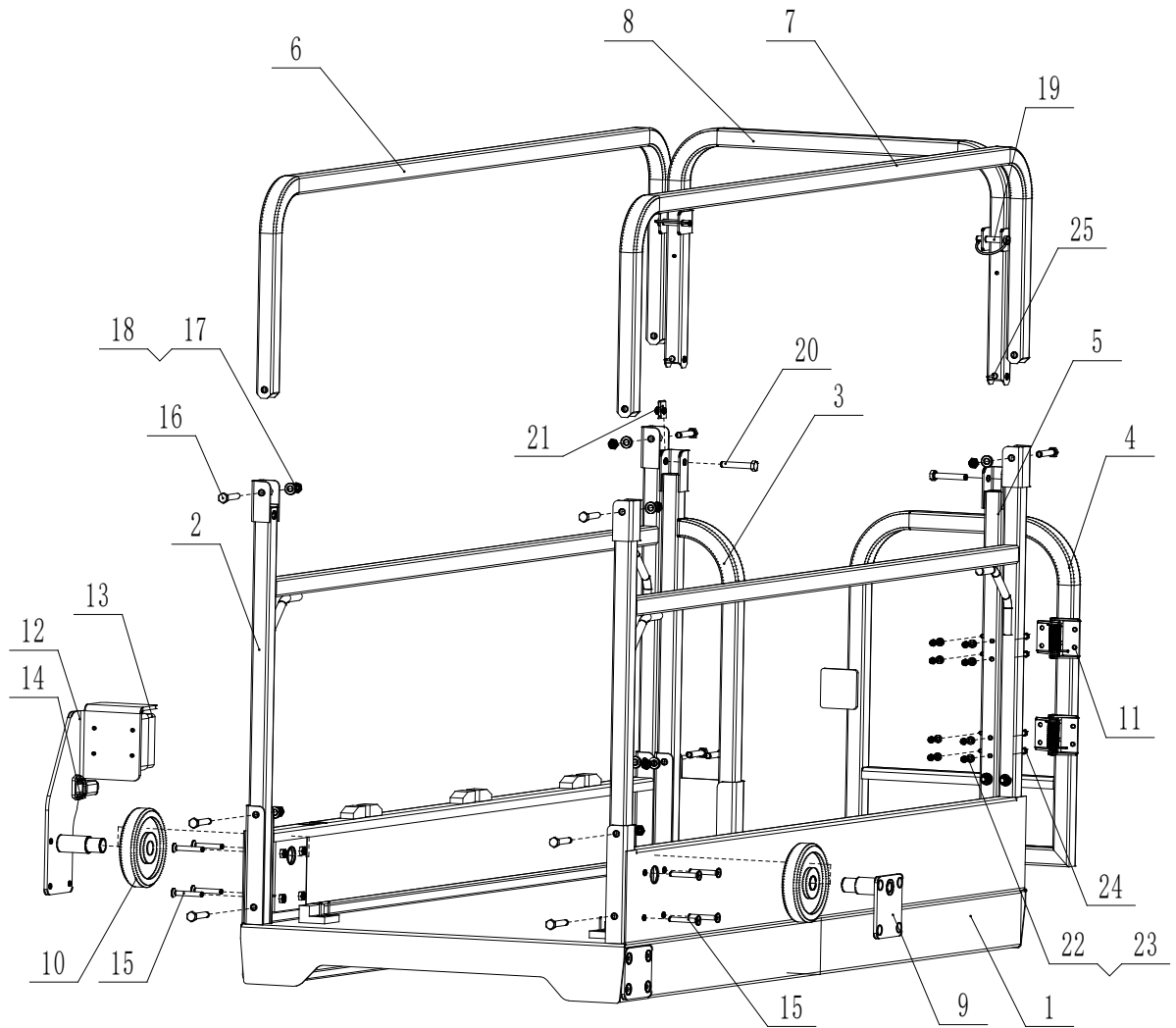


2.2. Oil cylinder Assembly

No.	Part No.	Designation	Qty
1	WG0200075	Oil cylinder	1
2	WG0200048	Hinge joint	1
3	A10300527	Fixed plate	1
4	GB1100012	GB/T5783 Bolt M8*16	2
5	GB1500003	GB/T 93 Spring washer 8	6
6	GB1400018	GB/T97.1 Flat washer 8	2
7	WG0200134	Lift control valve	1
8	WG0200076	Emergency pull	1
9	WG0200026	Hydraulic Fitting	1
10	GB1200025	GB/T70.1 Bolt M8*65	4

Chapter 3 Platform

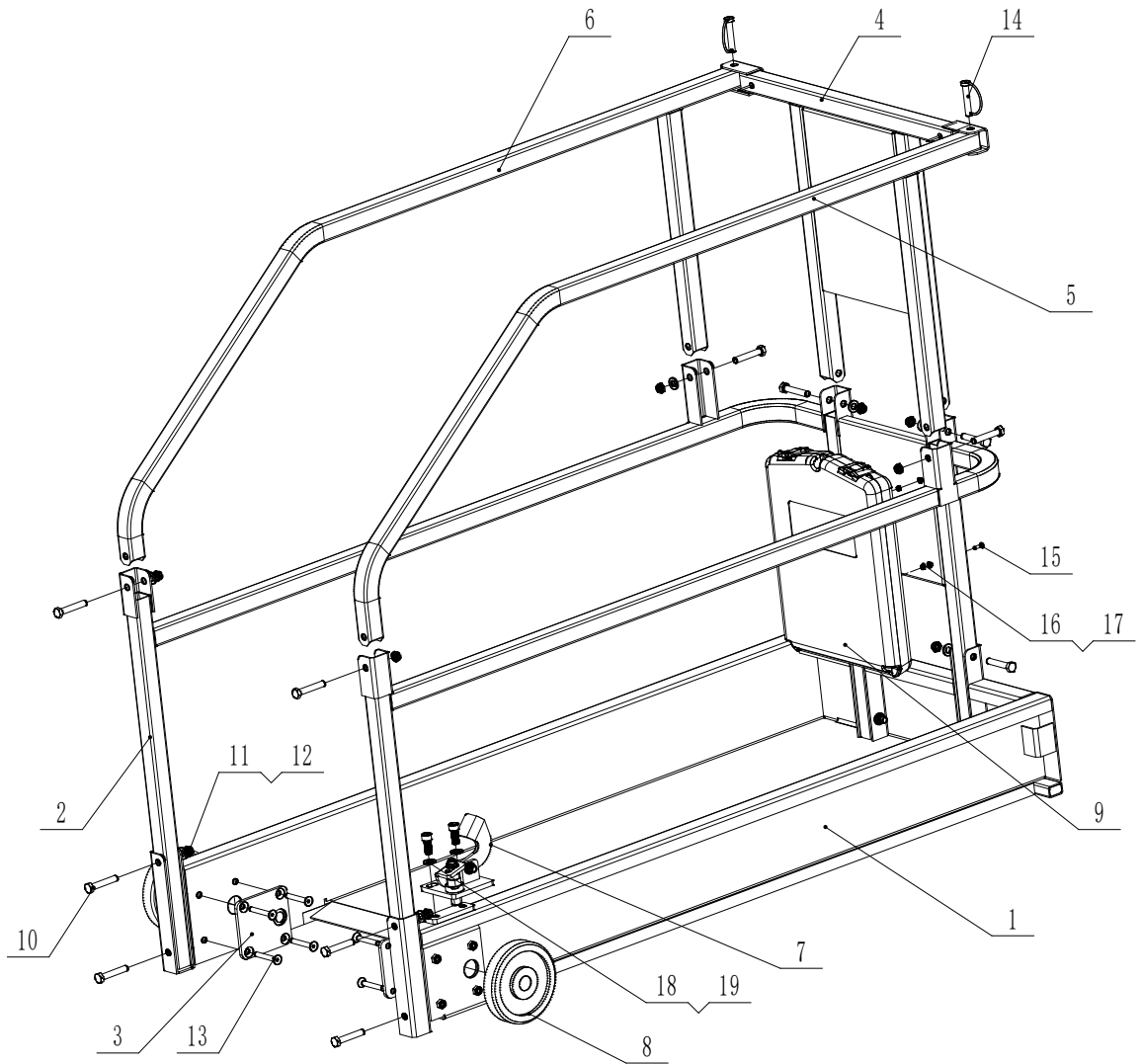
3.1. Main Platform Assembly



3.1. Main Platform Assembly

No.	Part No.	Designation	Qty
1	A10500215	Main platform base	1
2	A10500264	Main Platform Guard Bar 11	2
3	A10500265	Main Platform Guard Bar 12	1
4	A10500219	Door	1
5	A10500266	Main Platform Guard Bar 13	1
6	A10500267	Main Platform Guard Bar 14	1
7	A10500268	Main Platform Guard Bar 15	1
8	A10500296	Main Platform Guard Bar 16	1
9	A10500223	Roller Frame 2	1
10	A10500078	Roller	2
11	WG0100010	Hinge	2
12	A10500353	Roller Install seat	1
13	WG0300020	Waterproof socket (Optional)	1
14	WG0300059	Joint	1
15	GB1200041	GB/T70.3 Bolt M8*55	8
16	GB110033	GB/T 5782 Bolt M10*55	17
17	GB1300010	GB/T6172.2 Nut M10	17
18	GB1400001	GB/T97.1 Washer 10	17
19	GB1800007	Safety pin	2
20	GB1100001	GB/T 5782 Bolt M10*60	2
21	GB1800012	Nut M10	2
22	GB1400002	GB/T97.1 Washer 6	8
23	GB1300002	GB/T6172.2 Nut M6	8
24	GB1100036	GB/T 5782 Bolt M6*45	8
25	GB1800013	GB/T12618.1-2006 Rivet 5*8	2

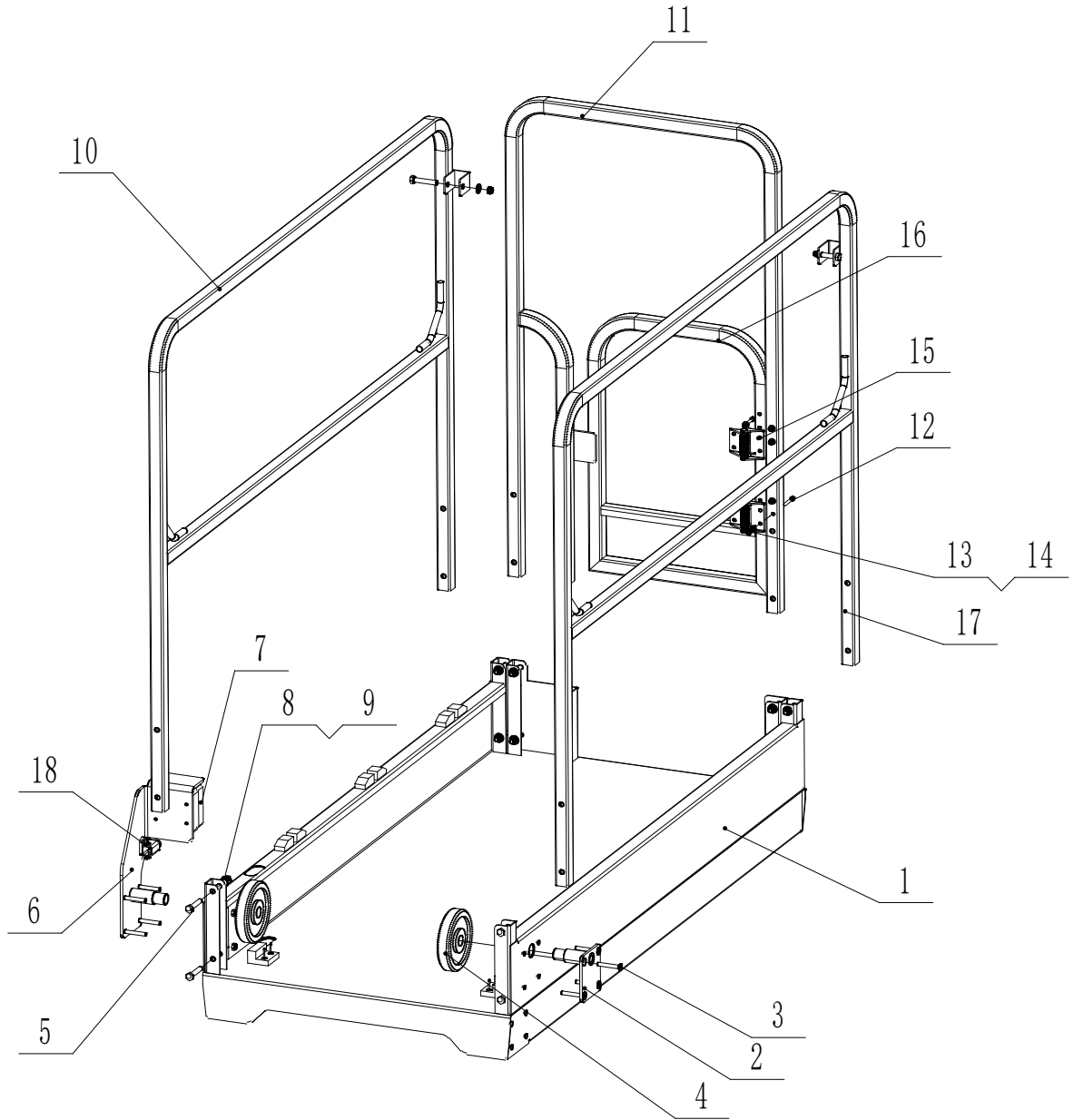
3.2. Extension Platform Assembly



3.2. Extension Platform Assembly

No.	Part No.	Designation	Qty
1	A10500220	Extend Platform base	1
2	A10500269	Extend Platform Guard Bar 11	1
3	A10500233	Roller Frame 2	2
4	A10500270	Extend Platform Guard Bar 12	1
5	A10500271	Extend Platform Guard Bar 13	1
6	A10500272	Extend Platform Guard Bar 14	1
7	A10500263	Pedal Assembly	1
8	A10500078	Roller	2
9	WG0100009	File box	1
10	GB1100033	GB/T 5782 Bolt M10*55	12
11	GB1300010	GB/T6172.2 Nut M10	10
12	GB1400001	GB/T97.1 flat washer 10	10
13	GB1200041	GB/T70.3 Bolt M8*55	8
14	GB1800007	Safety pin	2
15	GB1200017	GB/T 70.2 Bolt M5*16	4
16	GB1300006	GB/T6172.2 Nut M5	4
17	GB1400003	GB/T 97.1 flat washer 5	4
18	GB1200008	GB/T 70.1 Bolt M10*25	2
19	GB1400001	GB/T97.1 flat washer 10	2

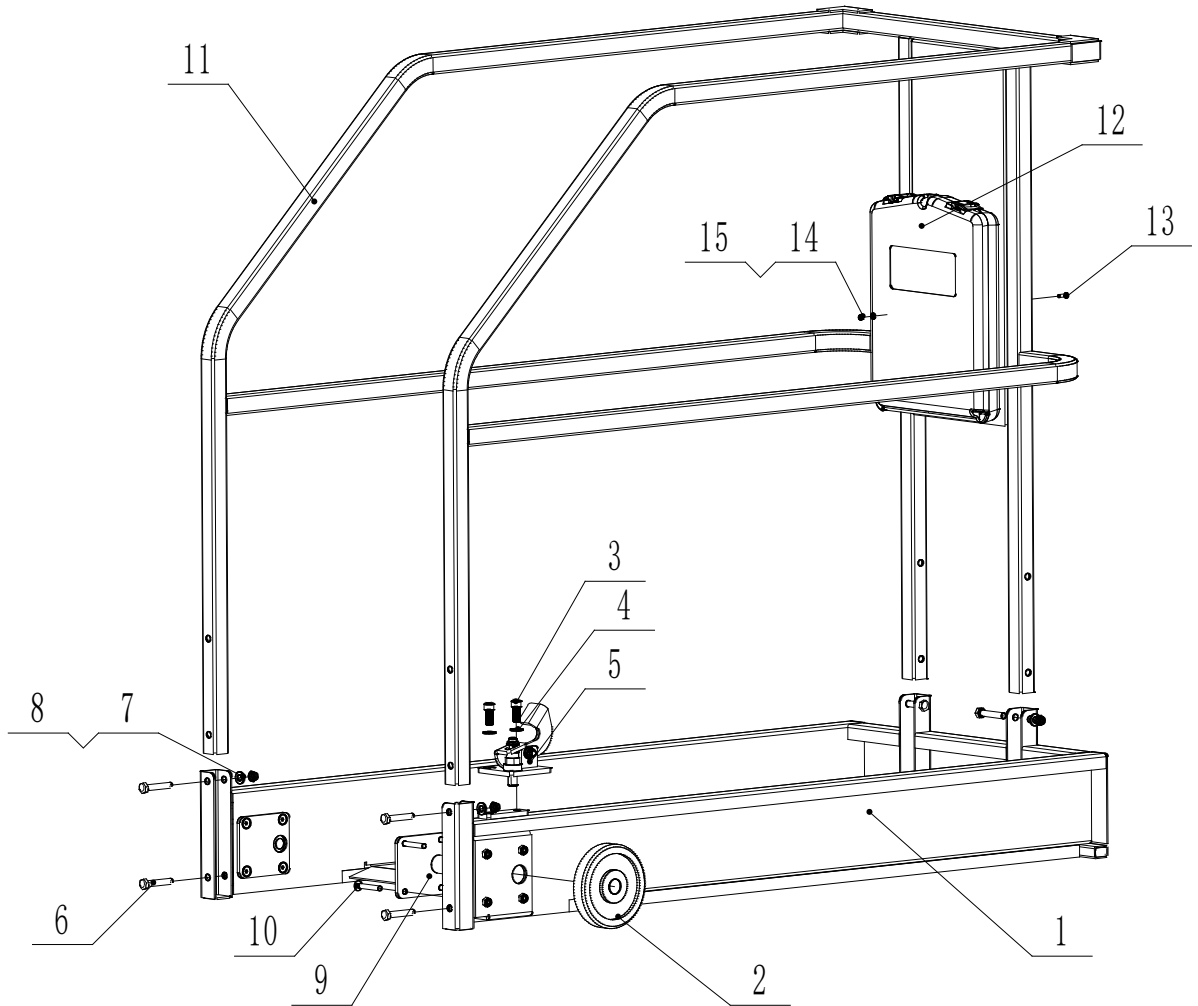
3.3 Main Platform Assembly (Fixed)



3.3 Main Platform Assembly (Fixed)

No.	Part No.	Designation	Qty
1	A10500215	Main platform base	1
2	A10500223	Roller Frame 2	1
3	GB1200041	GB/T70.3 Screw M8*55	8
4	A10500078	Roller	2
5	GB1100033	GB/T 5782 Bolt M10*55	16
6	A10500352	Roller Install seat	1
7	WG0300020	Waterproof socket (Optional)	1
8	GB1400001	GB/T97.1 Washer 10	14
9	GB1300010	GB/T6172.2 Nut M10	14
10	A10500216	Main Platform Guard Bar 2	1
11	A10500218	Main Platform Guard Bar 3	1
12	GB1100036	GB/T 5782 Bolt M6*45	8
13	GB1300002	GB/T6172.2 Nut M6	8
14	GB1400002	GB/T97.1 Washer 6	8
15	WG0100010	Hinge	2
16	A10500219	Door	1
17	A10500217	Main Platform Guard Bar 1	1
18	WG0300059	Joint	1

3.4 Extension Platform Assembly(Fixed)



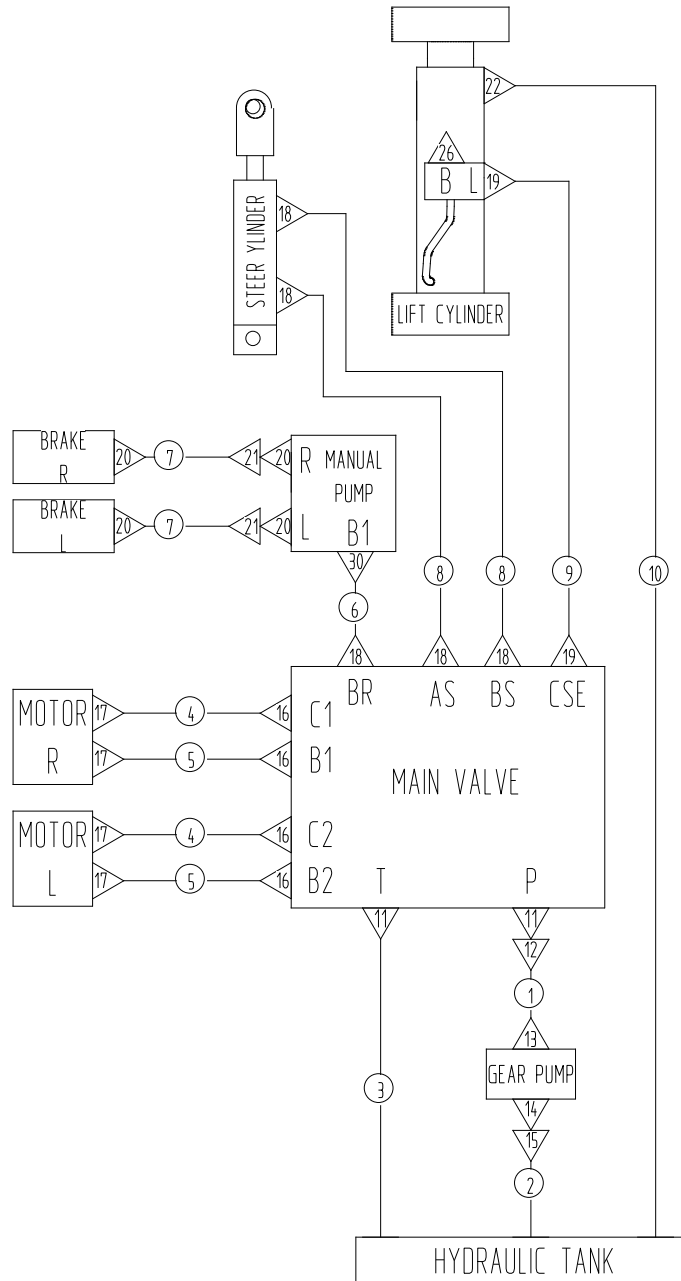
3.4 Extension Platform Assembly(Fixed)

No.	Part No.	Designation	QTY
1	A10500220	Extend platform base	1
2	A10500078	Roller	2
3	GB1200008	GB/T 70.1 Bolt M10*25	2
4	GB1400001	GB/T97.1 Washers 10	2
5	A10500033	Platform locking mechanism	1
6	GB1100033	GB/T 5782 Bolt M10*55	8
7	GB1400001	GB/T97.1 Washers 10	6
8	GB1300010	GB/T6172.2 Nut M10	6
9	A10500223	Roller support 2	2
10	GB1200041	GB/T70.3 Screw M8*55	8
11	A10500300	Extend Platform Guard Bar	1
12	WG0100009	File box	1
13	GB1200017	GB/T 70.2 Screw M5*16	4
14	GB1400003	GB/T 97.1 Washers 5	4
15	GB1300006	GB/T6172.2 Nut M5	4

Chapter 4

Hydraulic System

4.1 Hydraulic Pipeline



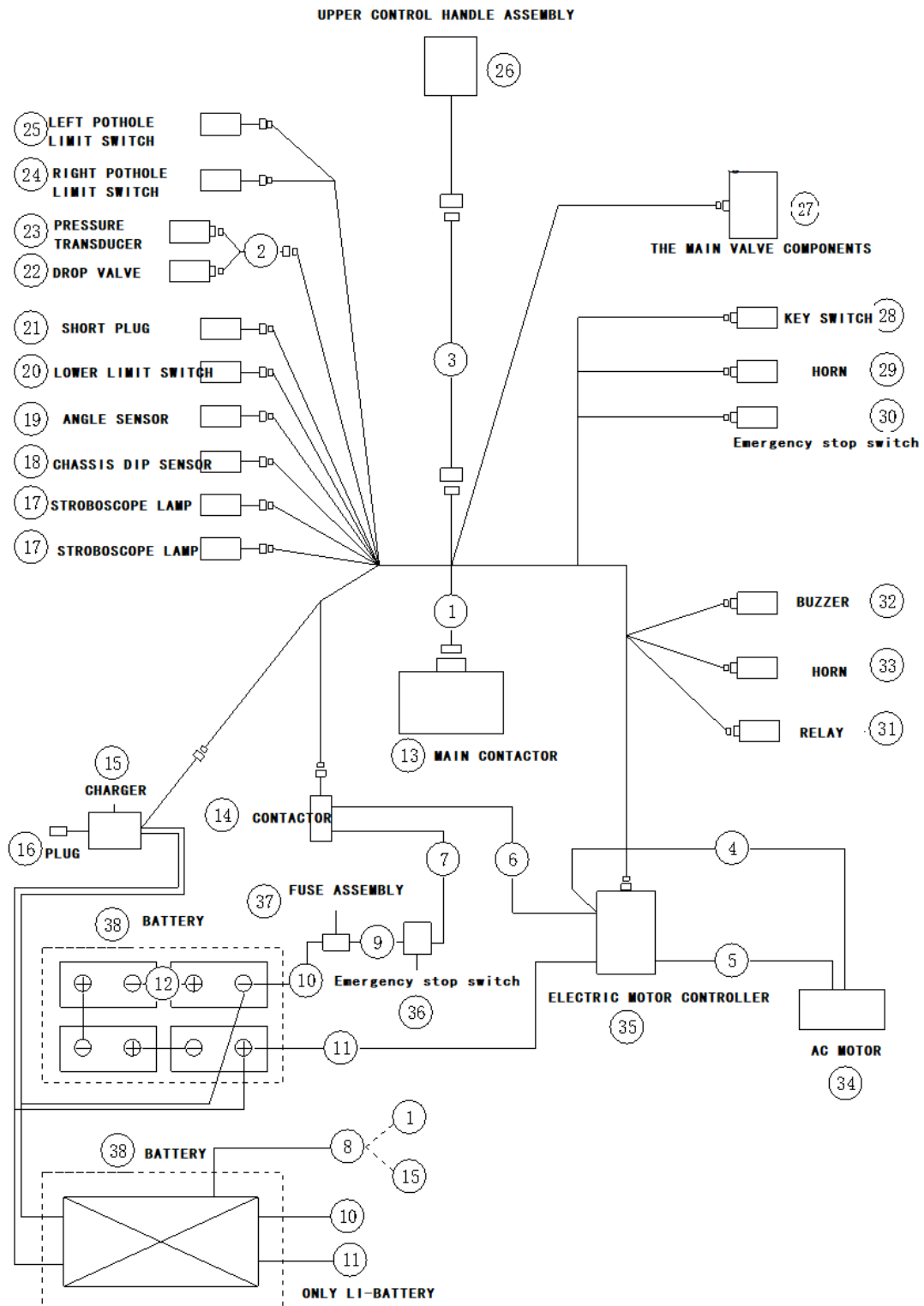
4.1 Hydraulic Pipeline

No.	Part No.	Designation	Qty
1	WG0200156	Hydraulic hose	1
2	WG0200164	Hydraulic hose	1
3	WG0200163	Hydraulic hose	1
4	WG0200073	Hydraulic hose	2
5	WG0200179	Hydraulic hose	2
6	WG0200155	Hydraulic hose	1
7	WG0200154	Hydraulic hose	2
8	WG0200162	Hydraulic hose	2
9	WG0200157	Hydraulic hose	1
10	WG0200050-4	PU Windpipe	1
11	WG0200032	Straight union	1
12	WG0200025	Right angle union	1
13	WG0200149	Straight union	1
14	WG0200148	Straight union	1
15	WG0200025	Right angle union	1
16	WG0200030	Straight union	2
17	WG0200031	Straight union	2
18	WG0200027	Right angle union	4
19	WG0200026	Straight union	2
20	WG0200029	Straight union	4
21	WG0200033	Right angle union	1
22	WG0200048	Pneumatic articulated union	1

Chapter 5

Electrical System

5.1 Electrical Harness



5.1 Electrical Harness

No.	Part no.	Designation	Qty.
1	A10600002	Main cable	1
2	A10600012	TO Y2/PT15	1
3	A10600011	TO PCU	1
4	A10600017	MC- B+ ->MOTOR A1	1
5	A10600009	MC->MOTOR D1	1
6	A10600006	CONTACTOR->MC B+	1
7	A10600003	QD->CONTACTOR	1
8	A10600007	QD ->MC B-	1
9	A10600013	FUSE->QD	1
10	A10600004	BATTERY->FUSE	1
11	A10600010	BATTERY->QD1	1
12	A10600005	BATTERY->BATTERY	3
13	WG0300002	ECU	1
14	WG0300028	Contactora	1
15	WG0300027	Charger	1
16	WG0300021	Plug	1
17	A10600015	TO FB	2
18	WG0300004	Tilt sensor	1
19	WG0300014	Angle Sensor	1
20	A10600014	Limit Switch	1
21	A10600051	Plug	1
	A10600050	Limit Switch	1
22	WG0200074	Lowering valve	1
23	WG0300013	Load sensor	1
24	A10600018	PotholesLimit Switch	1
25			1
26	WG0300001	PCU	1
27	A10700026	Main valve	1
28	WG0300009	Key switch	1

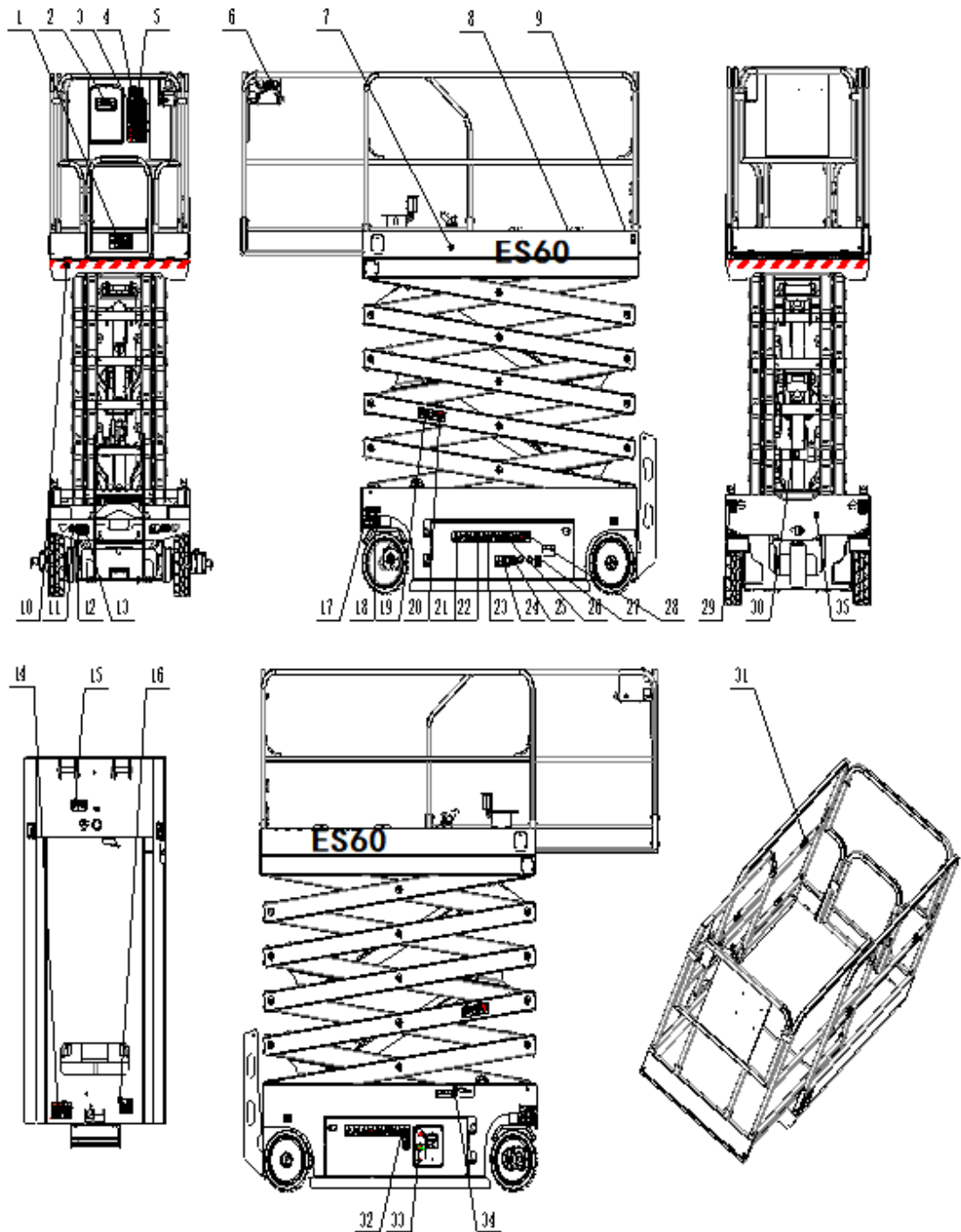
5.1 Electrical Harness

No.	Part no.	Designation	Qty.
29	WG0300029	Circuit breaker	1
30	WG0300005	E-stop switch	1
31	WG0300019	Relay	1
32	WG0300015	Alarm	1
33	WG0300017	Horn	1
34	WG0300003	Motor	1
35	WG0300025	Motor controller	1
36	WG0300008	QD	1
37	WG0300010	FUSE	1
38	WG0300026	Battery Trojan	4
	WG0300088	Battery TianNeng	4
	WG0300094	Lithium battery	1

Chapter 6 Label

6.1 Labels

6.1 Labels



No.	Drawing number	Description	Total
1	A11000062	Maximum Capacity, ES60	1
2	A11000140	File Box	1
3	A11000141	Brief Instructions	1
4	A11000143	Manual	1
5	A11000003	Tip-over Hazard	2
6	A11000142	Refer to Operator's Manual	1
7	A11000133	platform LOGO,	2
8	A11000053	Model, ES60	2
9	A11000010	CE	1
10	A11000078	Warning Reflective Band, ES60	2
11	A11000020	Transport Tie-down	4
12	A11000021	Lifting Point	4
13	A11000032	Forklift Pocket	2
14	A11000029	Safety Arm	1
15	A11000031	Tip-over Hazard, Tilting Switch	1
16	A11000028	Brake Release Safety and Operating	1
17	A11000012	Data Plate	1
18	A11000017	Directional Arrows	2
19	A11000072	Wheel load, ES60	4
20	A11000015	Crushing hazard	2
21	A11000016	Crushing hazard	2
22	A11000025	Electrocution Hazard	2
23	A11000027	Tip-over Hazard,Open Trays	2
24	A11000076	Tip-over Hazard, Batteries,ES60	1
25	A11000024	Use Safety Arm	2
26	A11000026	Batteries/Charger Safety	1
27	A11000018	Power to Charger	1
28	A11000030	Electrocution Hazard,Plug	1
29	A11000011	Power to Platform,230V	2
30	A11000033	Transport Diagram	2
31	A11000005	Lanyard Anchorage Point	4
32	A11000023	Compartment Access	1

33	A11000019	Ground Control Panel	1
34	A11000022	Emergency Lowering	1
35	A11000134	Chassis logo,	1