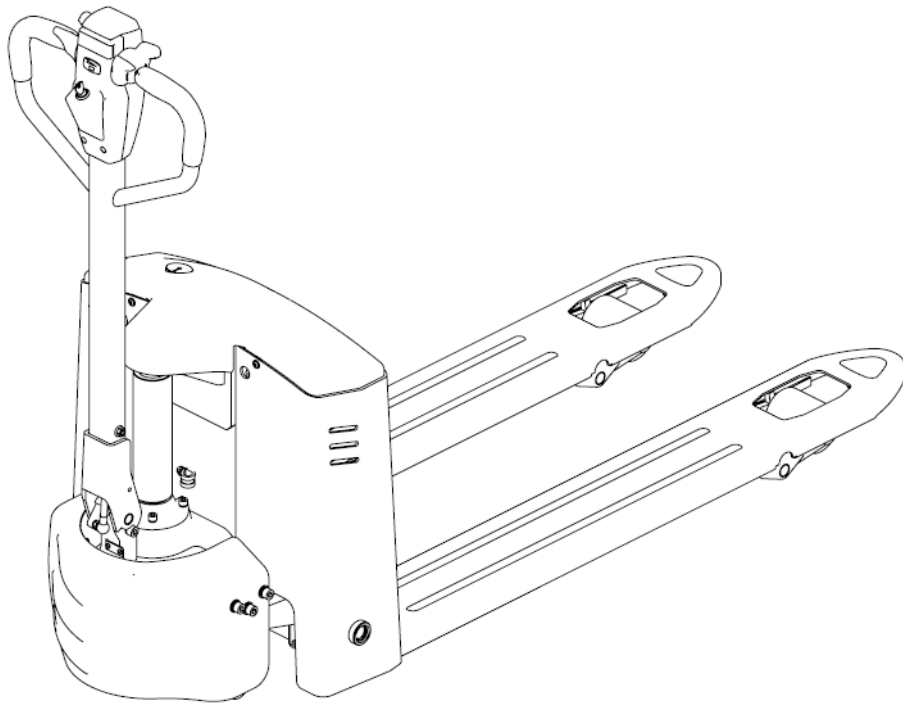




# EP15JLi, EP18JLi Electric Pallet Jack

Parts Manual



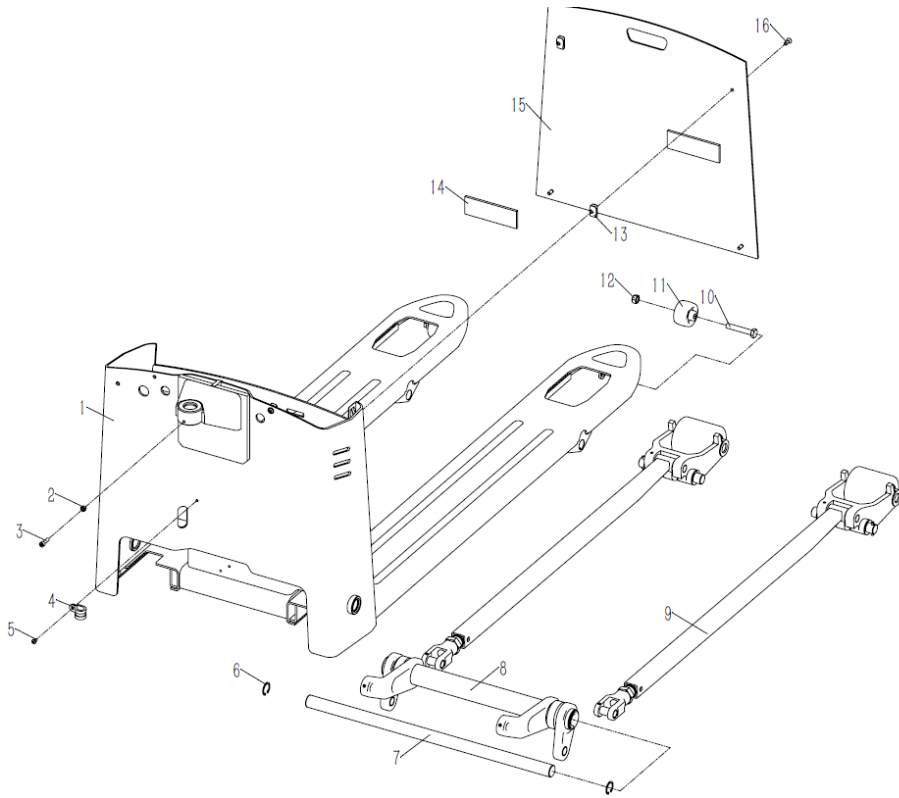
20201107 V01

# Table of Content

<b>1.Body System</b>	
1.1 Frame System .....	1
1.2 Connecting Rod Assembly .....	2
1.3 Cover Assembly .....	3
<b>2.Driving System</b>	
2.1 01Driving System.....	4
2.2 01Driving System (Balance Wheel) .....	5
2.3 Driving Assembly .....	6
2.4 01Balance Wheel Assembly .....	8
<b>3.Operating System</b>	
3.1 Handle Components .....	9
3.2 Handle Head Assembly.....	10
<b>4.Hydraulic System</b>	
4.1 Hydraulic System .....	11
4.2 Oil Cylinder Assembly .....	12
4.3 Power Unit .....	13
<b>5.Electric System</b>	
5.1 Electric Assembly.....	14
5.2 Cable Assembly .....	15
5.3 Cable Assembly (Lithium Battery) .....	16
5.4 Wiring Harness Assembly .....	17

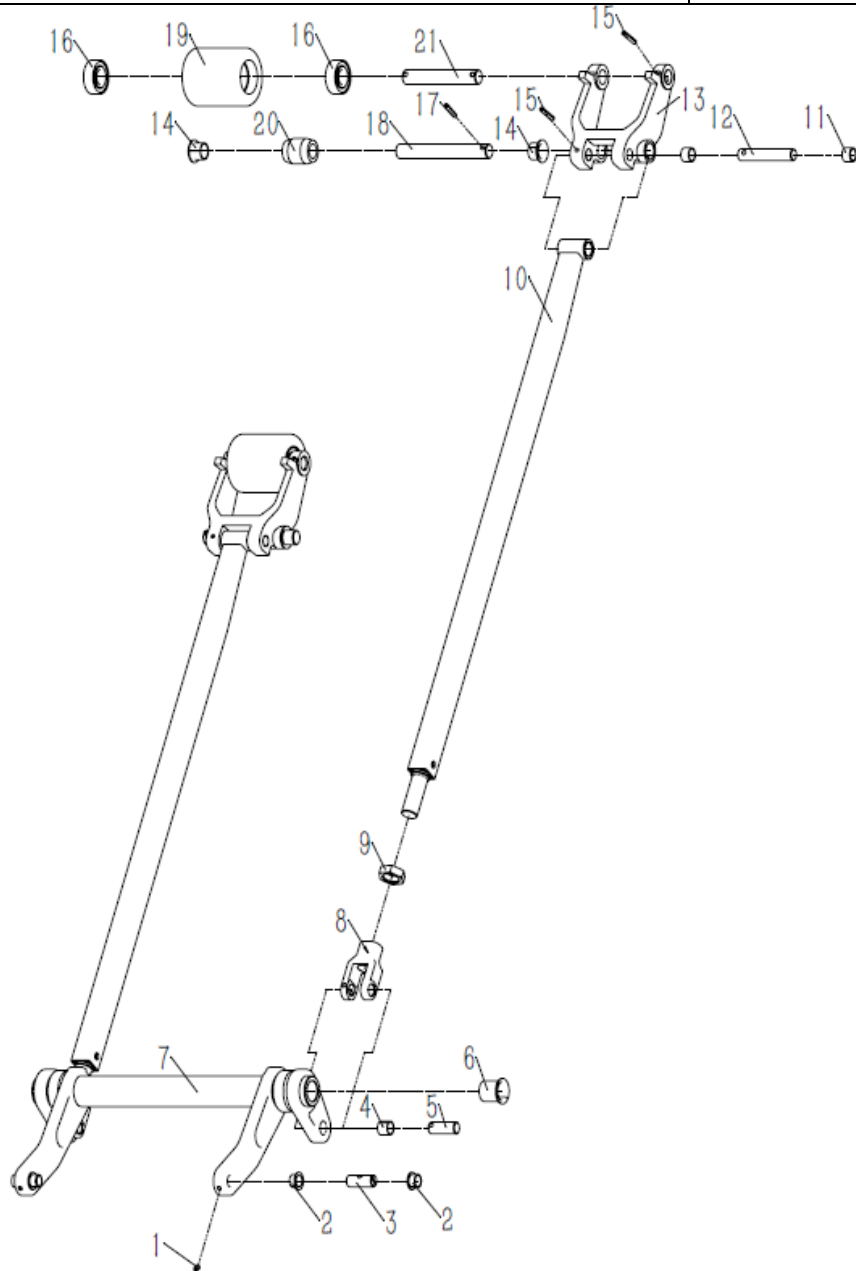
# 1. Body System

## 1.1 Frame System



Item	Part No	Description	Qty	Applied Date	Remark
1	33.053.0001	550 Frame	1		
1	33.053.0002	685 Frame	1		
2	03.0257	M6 Nut	1		
3	03.0149	M6x20 Screw	1		
4	03.04617	Φ16 R Hoop	1		
5	03.02260	M5x8 Screw	1		
6	03.0024	Φ25 Circle For Hole	2		
7	30.66.0002	550 Back Shaft	1		
7	40.11.035	685 Back Shaft	1		
8	82.451.0001	550 Ring Rod Assembly	1		
8	82.451.0002	685 Ring Rod Assembly	1		
9	82.14.001	Push Rod Assembly	1		
10	03.1088	M10x60 Bolt	2		
11	40.11.040	Roller	2		
12	03.0243	M10 Nut	2		
13	03.0587	M6 Nut	2		
14	30.46.0056	cushioning	2		
15	30.66.0003	Front Plate	1		
16	03.0227	M6x12 Screw	4		

## 1.2 Connecting Rod Assembly

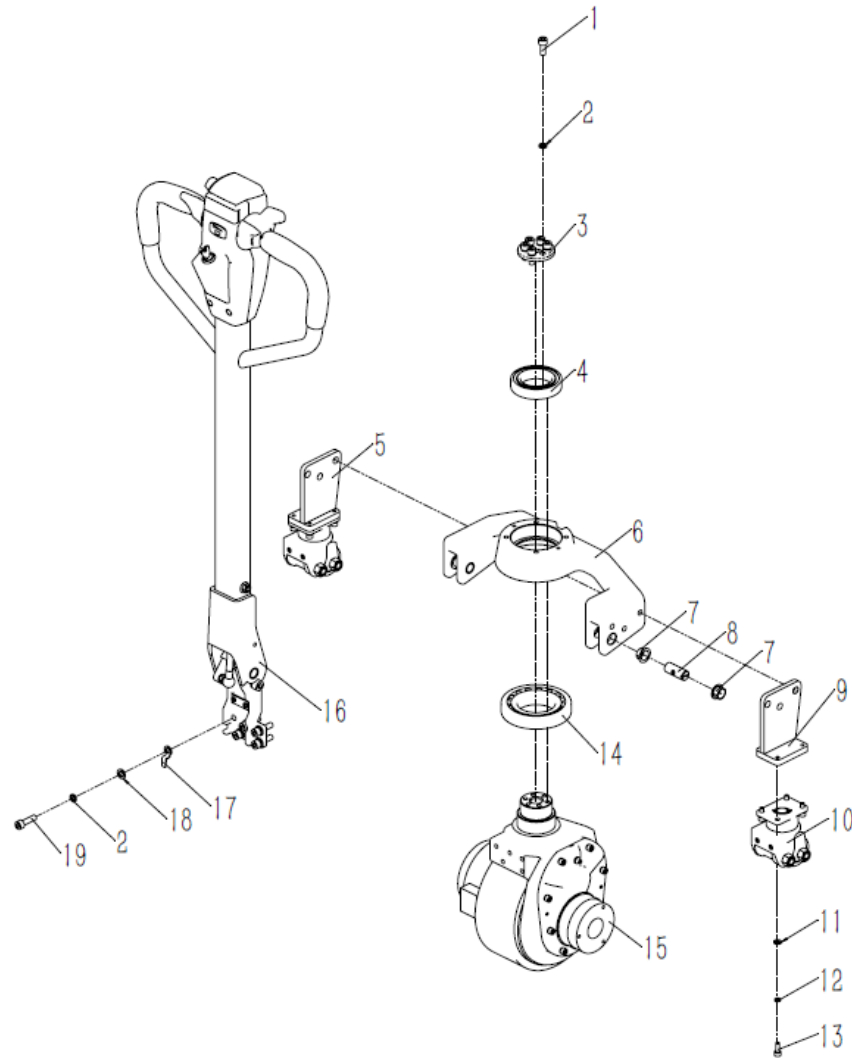


Item	Part No	Description	Qty	Applied Date	Remark
1	03.0270	M6×8 Screw	4		
2	03.0452	Φ24× Φ18×Φ16×10 Composite Set With Shoulder	4		
3	40.15.011	Pin	2		
4	03.0691	Φ16×Φ19×15 Composite Set	2		
5	40.14.052	Shaft	2		
6	03.04422	Φ35× Φ28×Φ25×27 Composite Set With Shoulder	2		
7	33.048.0005	550 Ring Rod	1		
7	33.048.0007	685 Ring Rod	1		
8	40.14.048	Push Rod Bracket	2		
9	03.0943	M22×1.5 Nut	2		
10	33.053.0003	Push Rod Welding	2		
11	03.0451	Φ16×Φ19×12 Composite Set	4		
12	40.11.038	Push Rod Shaft	2		
13	40.11.037	Wheel Bracket	2		
14	03.0453	Φ31× Φ23×Φ20×16.5 Composite Set With Shoulder	4		
15	03.0303	Φ5×35 Cylindrical Pin	4		
16	03.90.057	6204 Bearing	8		
17	03.0305	Φ5×30 Cylindrical Pin	4		
18	40.11.036	Wheel frame mounting shaft	2		
19	02.LZ.0143	Φ80×85 Small wheel	2		
20	40.11.041	Drop Out Roller	2		
21	30.01.3629	Wheel frame mounting shaft	2		



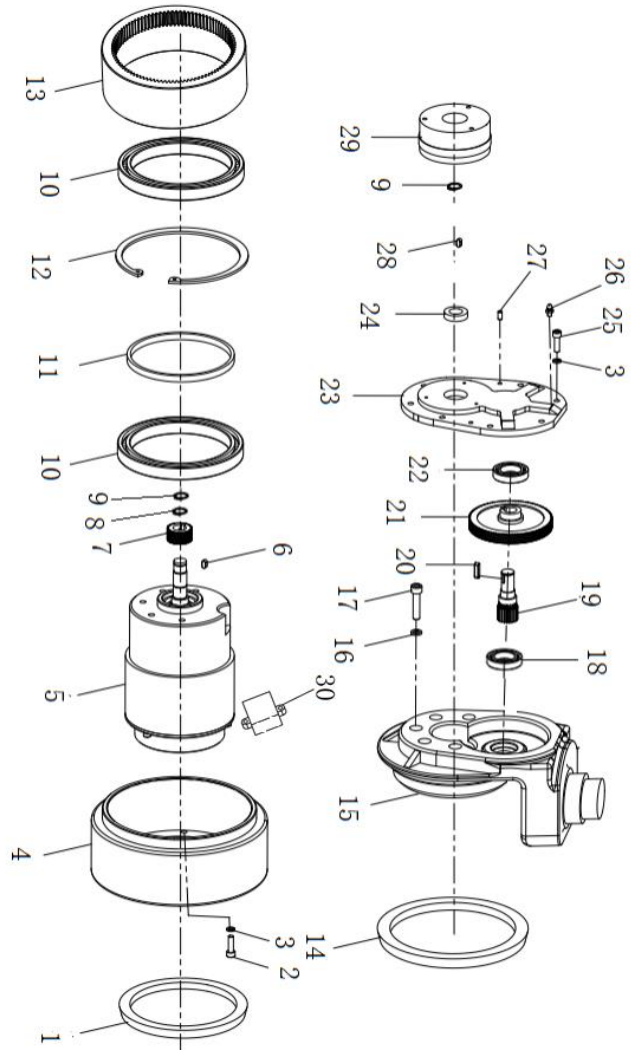


## 2.2 01Driving System (Balance Wheel)



Item	Part No	Description	Qty	Applied Date	Remark
1	03.0154	M8x20 Screw	6		
2	03.0013	Φ8 Spring Washer	11		
3	30.46.0013	Drive Clamping Plate	1		
4	03.90.018	6010 Bearing	1		
5	33.048.0021	Balance Frame Left	1		
6	03.0452	Φ24×Φ18×Φ16×10 Composite Set With Shoulder	4		
7	40.15.011	Pin	2		
8	40.15.001	Bearing Bridge	1		
9	33.048.0022	Balance Frame Right	1		
10	81.005.002	Balance Wheel	2		
11	03.0049	Φ6 Flat Washer	4		
12	03.0011	Φ6 Spring Washer	4		
13	03.0147	M6x16 Screw	4		
14	03.90.023	30212 Bearing	1		
15	02.QD.00833	24V/0.75KW Driving Assembly	1		
16	82.14.002	Handle Components	1		
17	40.15.052	Plate	1		
18	03.0050	Φ8 Flat Washer	5		
19	03.0157	M8x30 Screw	5		

## 2.3 Driving Assembly



Item	Part No	Description	Qty	Applied Date	Remark
1	02.01.3703	Oil Seal	1		
2	03.0147	M6x16 Screw	8		
3	03.0011	Φ6 Spring Washer	16		
4	02.QDL.0272	Driving Wheel	1		
5	02.DJ.00852	Motor	1		
6	03.0716	Flat Key Pin	1		
7	02.01.00702	Driving Helical Gear	1		
8	03.0062	Φ16 Circlip For Shaft	1		
9	03.0061	Φ15 Circlip For Shaft	2		
10	02.01.006810	61824 Bearing	2		
11	02.01.9294	Spacer	1		
12	03.0709	Φ150 Circlip For Hole	1		
13	02.01.00687	Internal Gear	1		
14	02.01.3681	Big Oil Seal	1		
15	02.01.9267	Gearbox	1		
16	03.0012	Φ8 Spring Washer	5		
17	03.0157	M8x30 Screw	5		
18	03.90.074	16003 Bearing	1		
19	02.01.00701	Transmission Gear	1		
20	03.0717	Flat Key Pin	1		
21	02.01.00703	Passive Helical Gear	1		
22	03.90.075	61905 Bearing	1		
23	02.01.210707	Gearbox Cover	1		
24	03.0719	Oil Seal	1		
25	03.0149	M6x20 Screw	8		
26	03.0506	Grease Fitting	1		

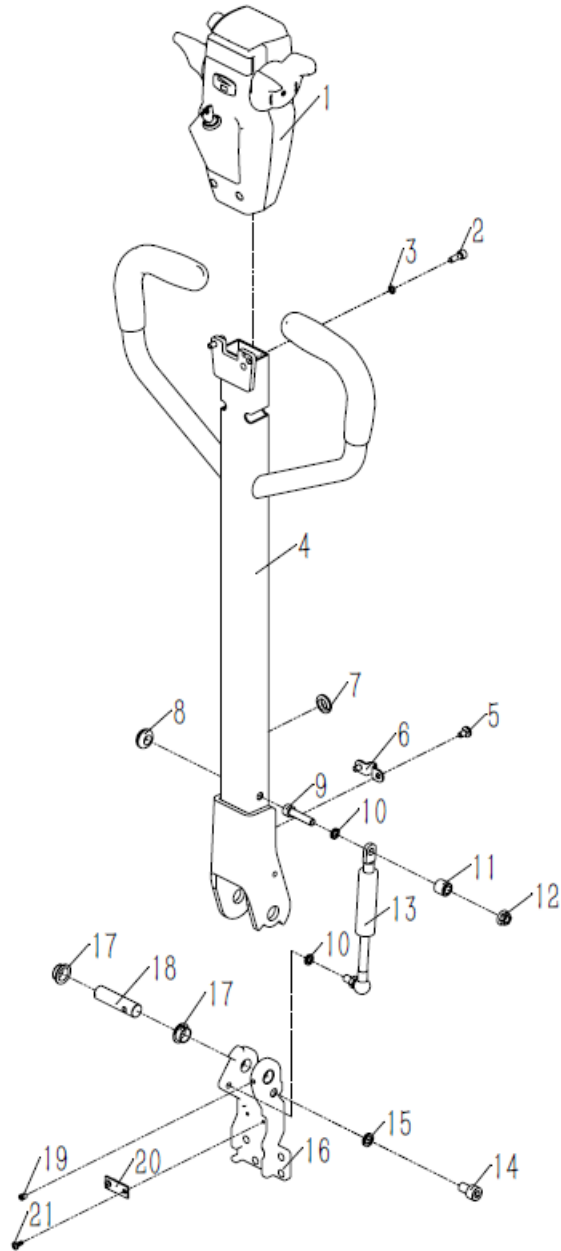






### 3. Operating System

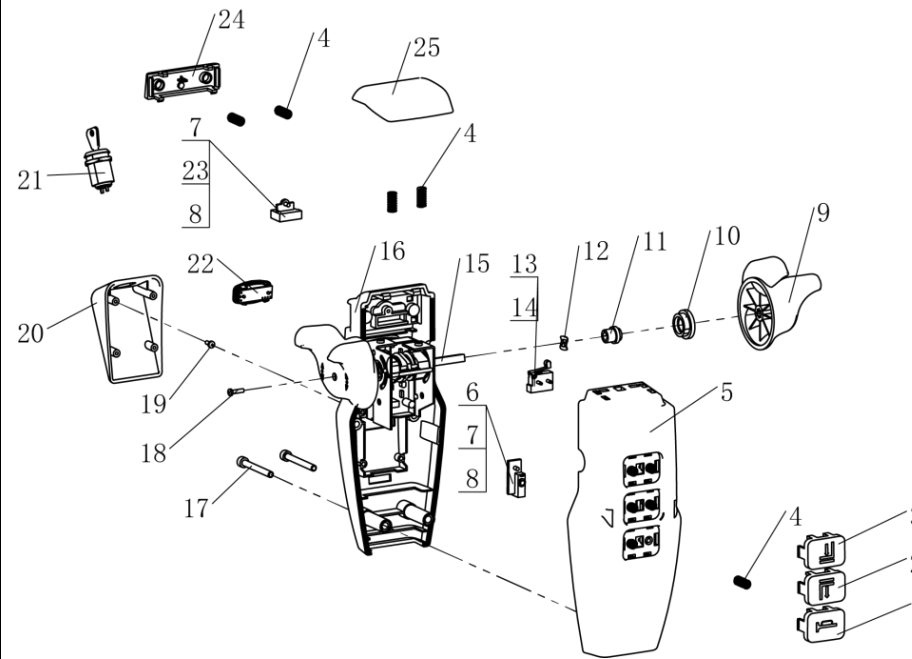
#### 3.1 Handle Assembly



Item	Part No	Description	Qty	Applied Date	Remark
1	02.SB.3199	(24V) Handle Components	1		
2	03.0147	M6×16 Screw	2		
3	03.0011	Φ6 Spring Washer	2		
4	33.028.0014	Handlebar	1		
5	03.0621	M6×10 Screw	2		
6	03.04610	Φ8 Clamp	1		
7	02.01.9302	Double-sided coil	1		
8	02.01.2133	crash pad	1		
9	03.0158	M8×35 Screw	1		
10	03.0012	Φ8 Spring Washer	2		
11	40.15.006	Sleeve	1		
12	03.0425	M8 Nut	1		
13	02.QTH.3634	700N spring assembly	1		
14	03.0162	M10×16 Screw	1		
15	03.0014	Φ10 Spring Washer	1		
16	40.15.004	Joint seat	1		
17	03.0452	Φ24× Φ18×Φ16×10 Composite Set With Shoulder	2		
18	40.15.005	Shaft	1		
19	03.0270	M6×8 Screw	2		
20	40.11.064	Plate	1		
21	03.0230	M4×10 Screw	2		

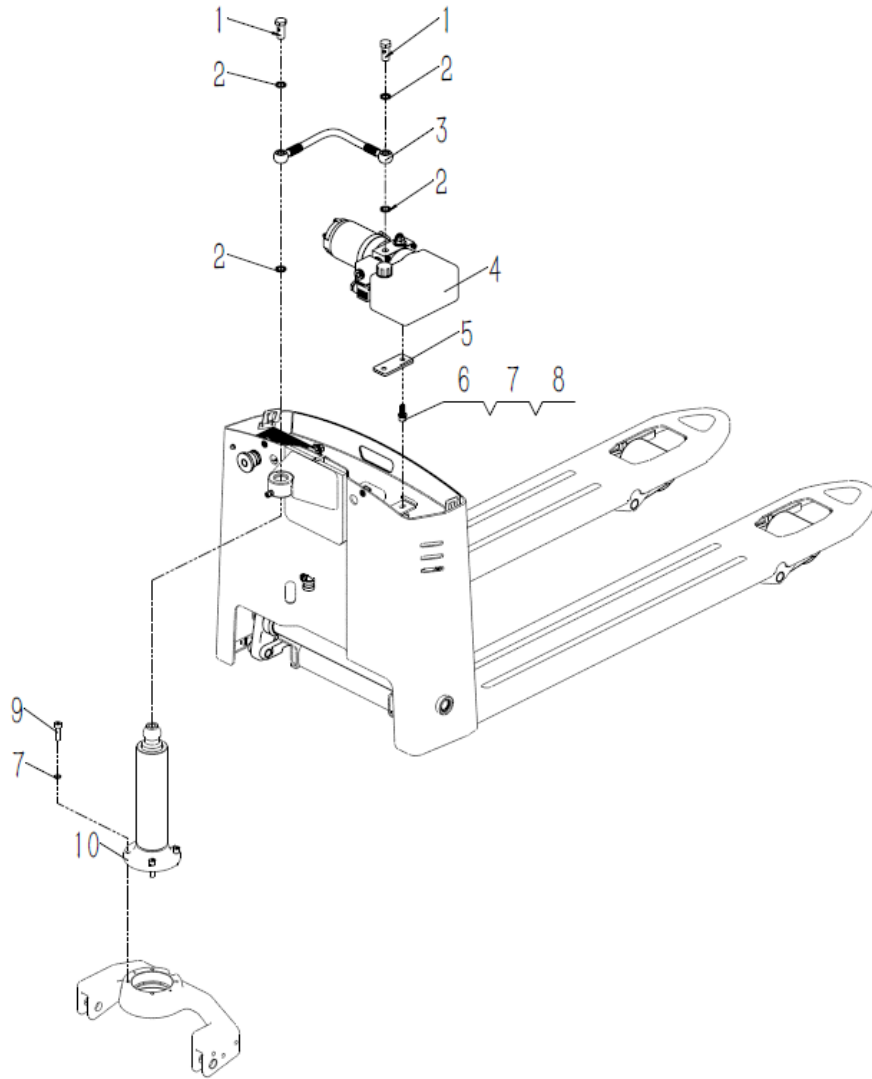


### 3.2 Handle Head Assembly



Item	Part No	Description	Qty	Applied Date	Remark
1	02.SB.PJ.0004	Horn Button	1		
2	02.SB.PJ.0005	Rising Button	1		
3	02.SB.PJ.0009	Decline Button	1		
4	02.SB.PJ.0010	7x16 Spring	10		
5	02.SB.PJ.0002	Upper Cover	1		
6	02.SB.PJ.0006	Micro Switch Card	3		
7	02.SB.PJ.0007	Micro Switch	4		
8	02.SB.PJ.0012	ST2.9x9.5 Screw	4		
9	02.SB.PJ.0027	Accelerator Knob	2		
10	02.SB.PJ.0025	Shaft Jacket	2		
11	02.SB.PJ.0024	Shaft Sleeve	2		
12	03.0735	Spring Washer	2		
13	02.SB.PJ.0008	Switch	1		
14	02.SB.PJ.0011	ST2.2x13 Screw	2		
15	02.SB.PJ.0023	Accelerator	1		
16	02.SB.PJ.0014	Lower Cover	1		
17	03.0134	M5x45 Screw	2		
18	03.05364	M3x12 Screw	2		
19	02.SB.PJ.0021	ST2.9x13 Screw	2		
20	02.SB.PJ.0017	Key Box	1		
21	02.SB.PJ.0018	Key Switch	1		
22	02.SB.PJ.0019	Electricity Meter	1		
23	02.SB.PJ.0016	Mode Button Card	1		
24	02.SB.PJ.0015	Mode Button	1		
25	02.SB.PJ.0003	Belly Switch	1		

**4. Hydraulic System**  
**4.1 Hydraulic System**

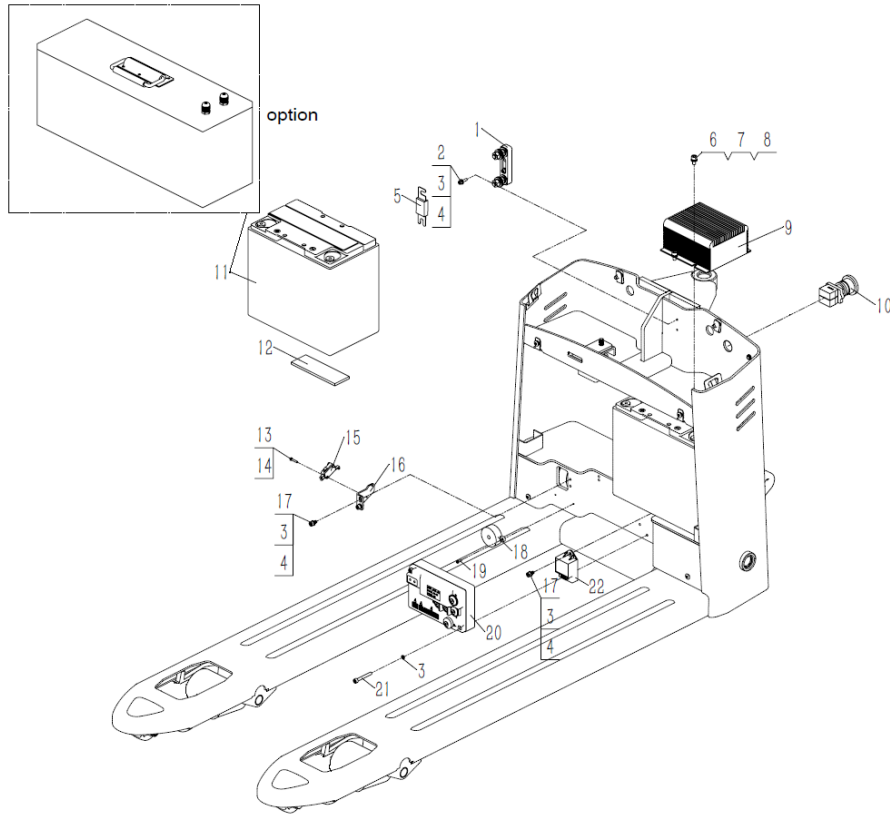


Item	Part No	Description	Qty	Applied Date	Remark
1	02.01.30810	Bolt	2		
2	03.0482	Φ14 Gasket	4		
3	02.YYL.20352	Oil Hose	1		
4	02.DLDY.3473	24V/0.75KW Power Unit	1		
5	30.09.0003	cushioning	1		
6	03.0156	M8×25 Screw	2		
7	03.0013	Φ8 Spring Washer	6		
8	03.0050	Φ8 Flat Washer	2		
9	03.0157	M8×30 Screw	4		
10	02.YG.2129	Cylinder	1		
11					
12					
13					
14					
15					
16					
17					
18					
19					
20					
21					
22					
23					
24					
25					
26					
27					
28					





**5. Electric System**  
**5.1 Electric Assembly**



Item	Part No	Description	Qty	Applied Date	Remark
1	02.01.3057	Fuse Base	1		
2	03.0133	M5×16 Screw	2		
3	03.0007	Φ5 Spring Washer	6		
4	03.0055	Φ5 Flat Washer	4		
5	19.03450	CNP-100A Fuse	1		
6	03.0145	M6×12 Screw	5		
7	03.0011	Φ6 Spring Washer	5		
8	03.0049	Φ6 Flat Washer	5		
9	02.CDQ.3465	24V/8A Charger	1		
9	02.CDQ.3392	24V/10A Charger	1		
10	02.01.9397	Emergency Stop	1		
11	02.XDC.3460	24V/60Ah Battery	2		
11		24V/20Ah Lithium Battery	1		
11		24V/30Ah Lithium Battery	1		
11		24V/40Ah Lithium Battery	1		
11		24V/60Ah Lithium Battery	1		
12	30.46.0056	cushioning	2		
13	03.05360	M3×16 Screw	2		
14	03.00091	Φ3 Spring Washer	2		
15	02.01.2178	Micro Switch	1		
16	30.66.0018	Plate	1		
17	03.0139	M5×10 Screw	2		
18	19.03620	Buzzer	1		
19	03.02151	M3×8 Screw	2		
20	02.KZQ.2377	Controller	1		
21	03.01340	M5×35 Screw	2		
22	02.01.2216		1		









