



LITHIUM-ION Semi-Electric Pallet Jack
EP15SLI/EP18SLI
PARTS LIST



CONTENTS

1.Bodywork system

1.1BODYWORK SYSTEM.....	1
1.2CONNECTING ROD ROCKER ASSEMBLY.....	3

2.Driving system

2.1DRIVING SYSTEM(MANUAL LOWERING)	5
2.2Driving system(Electric lowering)	7
2.3DRIVING ASSEMBLY	9

3.Operating system

3.1OPERATING HANDLE ASSEMBLY(MANUAL LOWERING).....	11
3.2OPERATING HANDLE ASSEMBLY(REMA ELECTRIC LOWERING).....	13

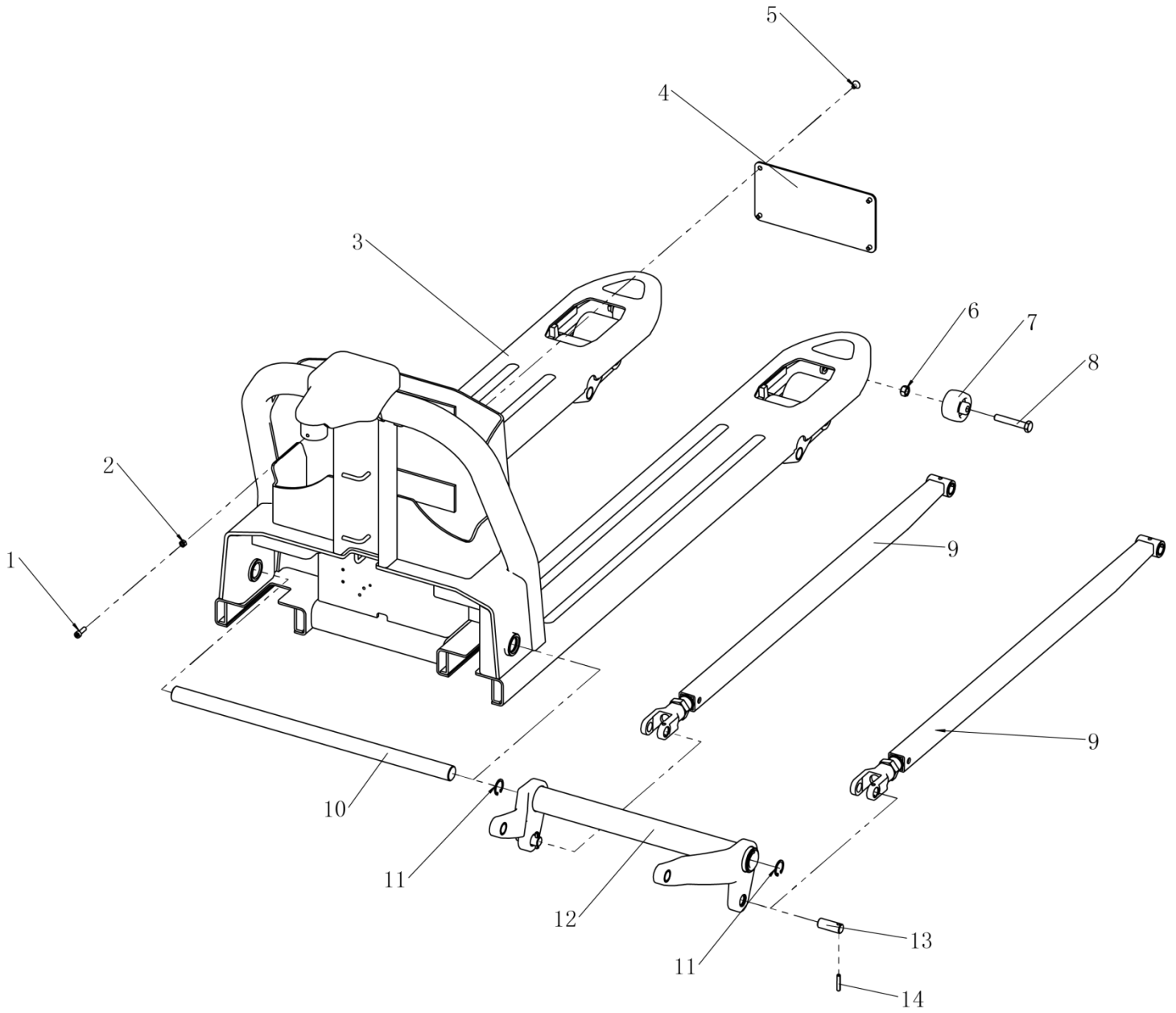
4.Hydraulic system

4.1ELECTRIC CYLINDER ((MANUAL LOWERING).....	15
4.2Power unit.....	17

5.Electrical system

5.1ELECTRICAL ASSEMBLY	19
------------------------------	----

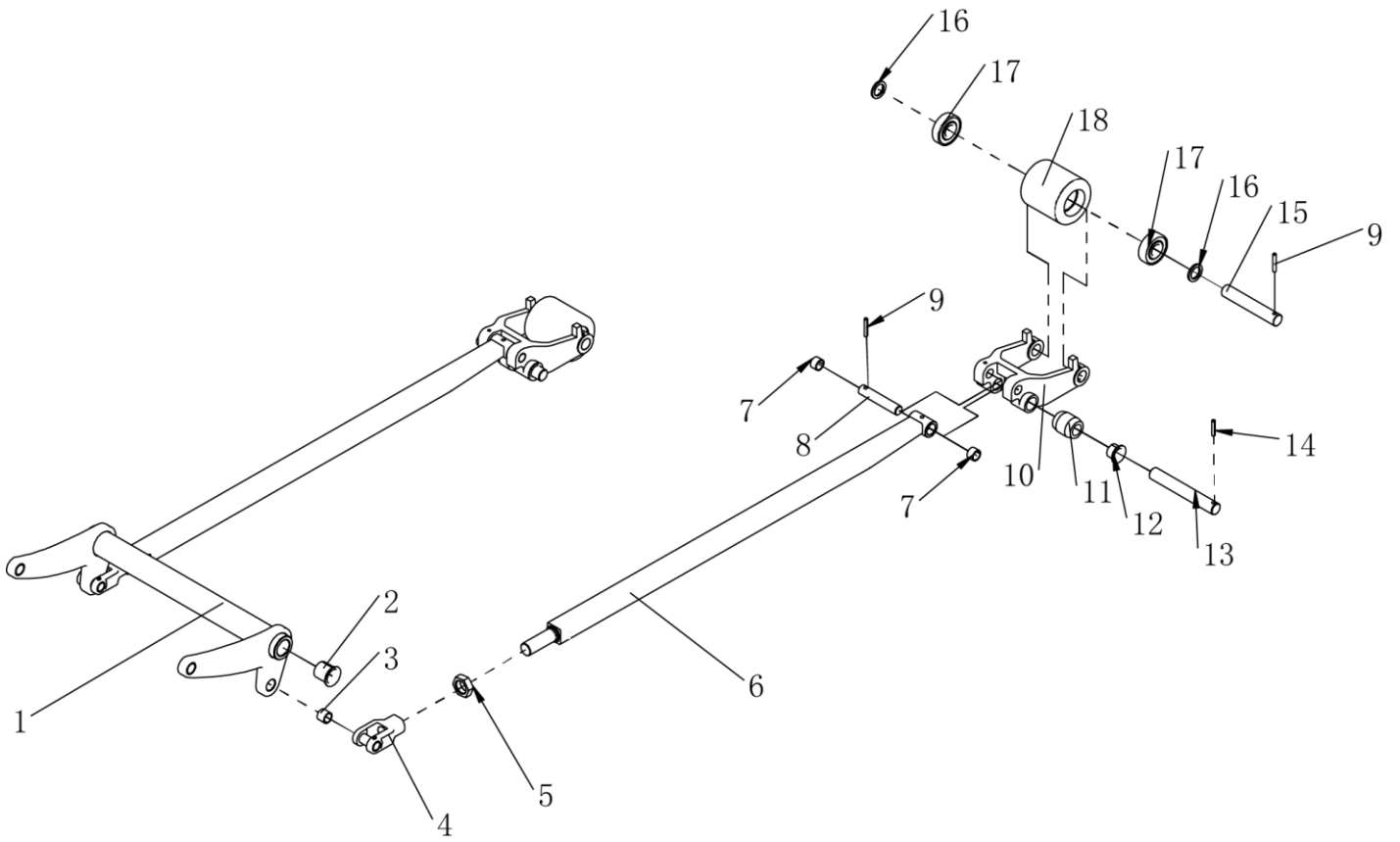
1.1 Bodywork system



1.1 Bodywork system

No.	Code No.	Description	Specification	Qty.	Remark
1	03.01049	Hexagon socket head cap screws	M6×20	1	GB/T 70.1-2000
2	03.0257	Hexagon nut	M6	1	GB/T 6170-2000
3	33.050.0004	Main frame welding (685Type)			
4	30.44.037	Front sealing plate		1	
5	03.0087	Hexagon socket head screw	M6×10	4	GB/T 70.3-2000
6	03.0243	Hexagon lock nut	M10	2	GB/T 6184-2000
7	30.28.0137	Roller		2	
8	03.03820	Hexagon Head bolt full thread	M10×60	2	GB/T 5783-2000
9	82.45.0012	Push rod assembly		2	
10	30.28.0089	Back shaft (685 Type)			
11	03.0024	Hole Circlip	Φ25	2	GB 893.1-86
12	82.451.0008	Ring rod assembly (685 Type)			
13	30.01.6569	Axle		2	
14	03.0305	Elastic cylindrical pin	Φ5×30	2	GB/T879.2-2000

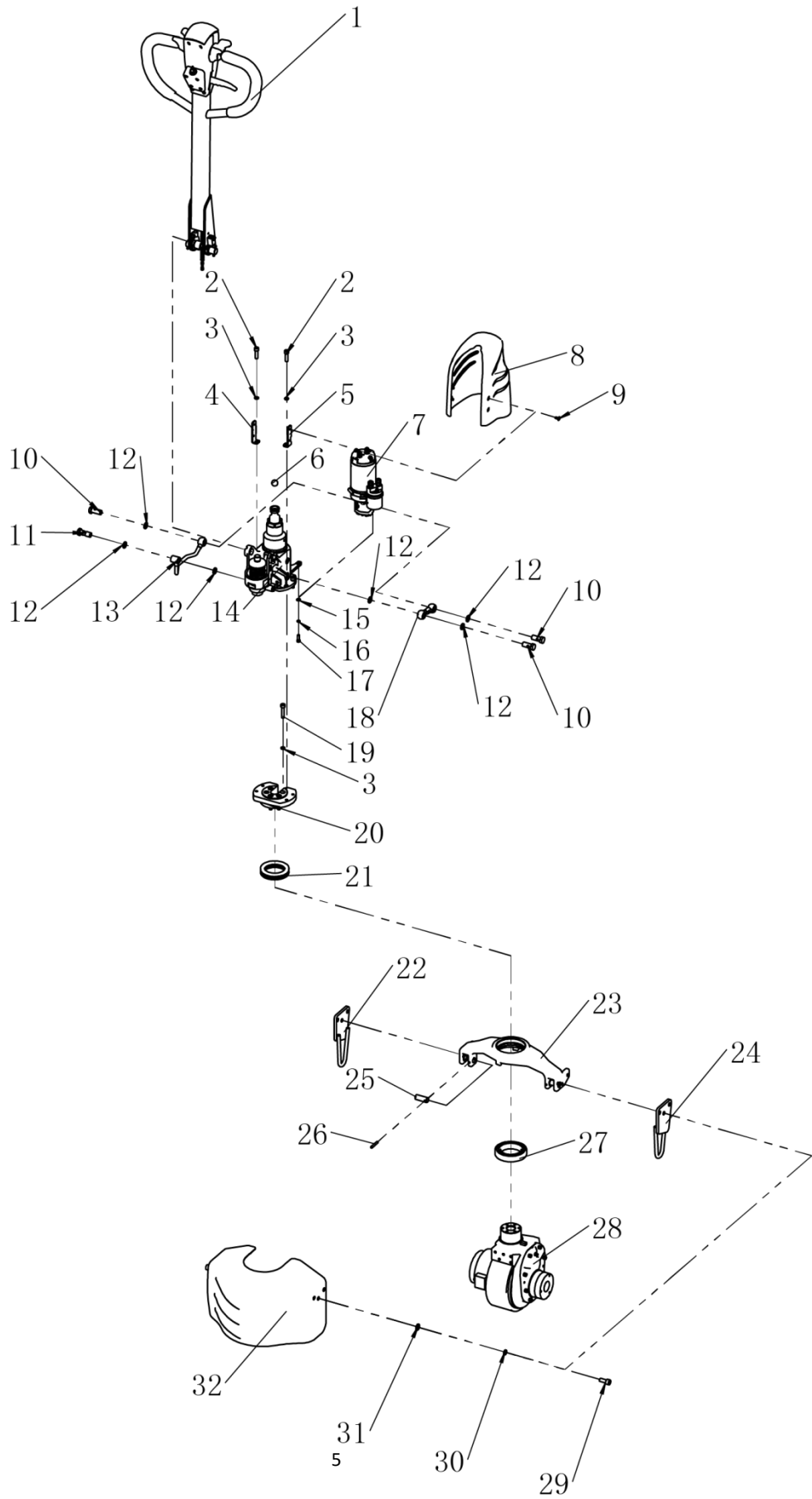
1.2 Connecting rod rocker assembly



1.2 Connecting rod rocker assembly

No.	Code No.	Description	Specification	Qty.	Remark
1	33.050.0008	Ring rod assembly (685 Type)			
2	03.04422	Composite set with shoulder	$\Phi 35 \times \Phi 28 \times \Phi 25 \times 27$	2	
3	03.0691	Composite set	$\Phi 16 \times \Phi 19 \times 15$	4	
4	30.01.6601	Push-rod bracket		2	
5	03.0943	Hexagon thin nut Fin thread	M22×1.5	2	GB/T 6173-2000
6	33.030.0025	Push -rod welding		2	
7	03.0451	Composite set	$\Phi 16 \times \Phi 19 \times 12$	4	
8	30.28.0093	Pushrod mounting Shaft		2	
9	03.0303	Elastic cylindrical pin	$\Phi 5 \times 35$	4	GB/T879.2-2000
10	30.28.0082	Wheel bracket		2	
11	30.01.2845	Drop out Roller		2	
12	03.0453	Composite set with shoulder	$\Phi 31 \times \Phi 23 \times \Phi 20 \times 16.5$	4	
13	30.28.0164	Wheel bracket Mounting shaft		2	
14	03.0305	Elastic cylindrical pin	$\Phi 5 \times 30$	2	GB/T879.2-2000
15	30.01.3629	Pin shaft		2	
16	30.09.0057	Wheel bracket check ring		4	
17	03.90.057	Deep groove ball bearing	6204	4	GB/T 276-94
18	02.LZ.0137	Small roller	$\Phi 70 \times 80$	2	

2.1 Driving system (Manual Lowering)

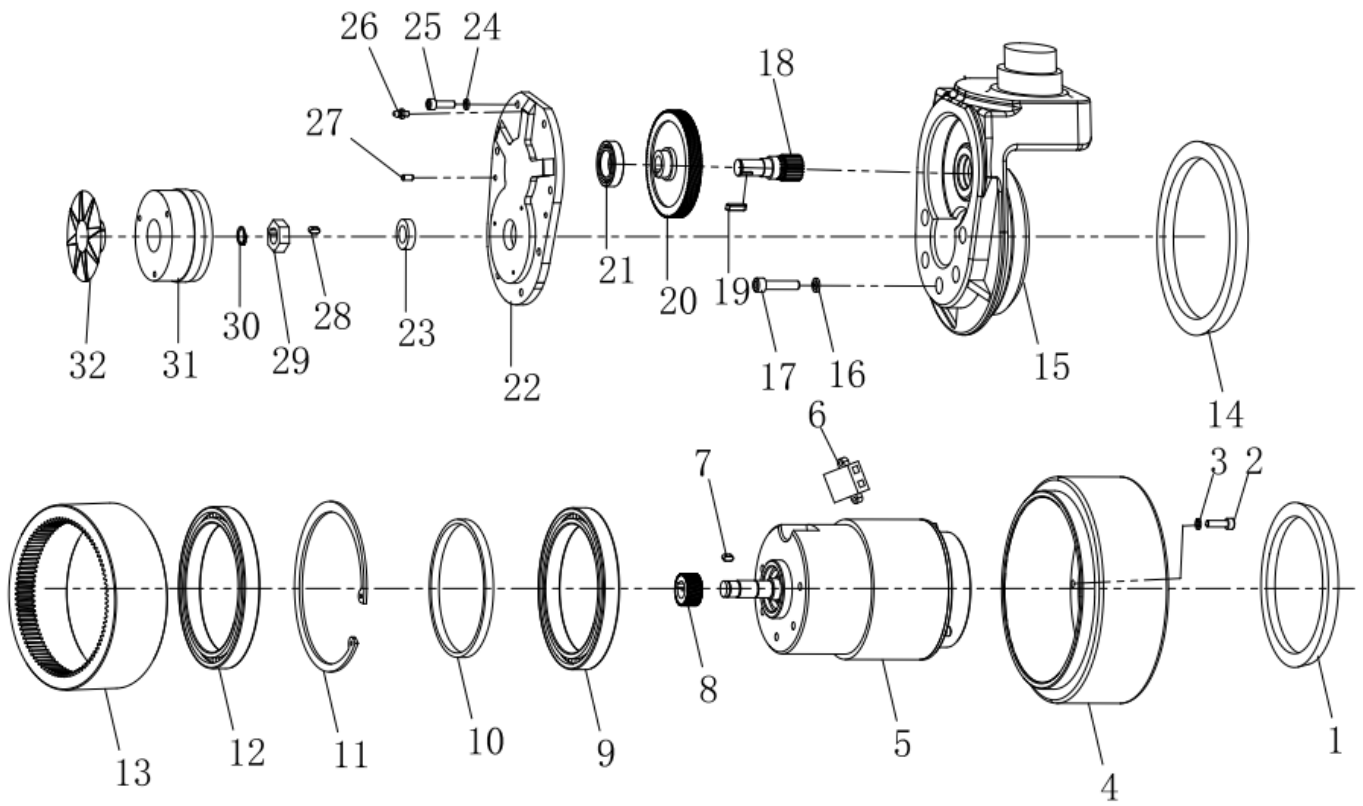


2. 1Driving assembly (manual Lowering)

No.	Code No.	Description	Specification	Qty.	Remark
1	30.20.0003	Operating handle assembly		1	
2	30.01570	Hexagon socket head cap screws	M8×30	4	GB/T 70.1-2000
3	03.0013	Spring Washer	Φ8	9	GB/T 93-1987
4	30.20.0004	Motor Mounting plate left		1	
5	30.20.0005	Motor Mounting plate right		1	
6	03.0739	Steel ball	Φ19.05	1	GB / T308-77
7	02.DLDY.3454	Power unit	24V / 0.8Kw	1	
8	02.FGJ.3447	Motor cover		1	
9	03.0632	Cross screw with large flat head	M5×12	4	GB 973-1976
10	02.01.30810	Hollow bolt		3	
11	02.YYL.2383	Hollow bolt		1	
12	03.0482	Combination gasket	Φ14	6	GB892-77
13	02.YYL.3868	Lifting tube		1	
14	02.YG.3603	Electric cylinder		1	
15	03.0049	Flat washer	Φ6	2	GB/T 95-2002
16	03.0011	Spring Washer	Φ6	2	GB/T 93-1987
17	03.0410	Hexagon Head bolt full thread	M6×20	2	GB/T 5783-2000
18	02.YYL.2331	Oil inlet		1	
19	03.0159	Hexagon socket head cap screws	M8×40	5	GB/T 70.1-2000
20	30.20.0001	Drive clamping plate		1	

21	03.90.0121	Thrust ball bearing	51113	1	GB/T 301-1995
22	33.048.0001	Balance frame welding L		1	
23	30.20.0006	Bearing bridge		1	
24	33.048.0002	Balance frame welding R		1	
25	30.20.0002	Drive connection shaft		2	
26	03.0306	Elastic cylindrical pin	5×40	2	GB/T 879.1-2000
27	03.90.091	Deep groove ball bearing	6013-2Z	1	GB/T 276-94
28	02.QD.00830	Driving assembly	24v/0.75kw	1	
29	03.0165	Hexagon socket head cap screws	M10×25	6	GB/T 70.1-2000
30	03.0014	Spring Washer	Φ10	6	GB/T 93-1987
31	03.0043	Flat washer	Φ10	6	GB/T 95-2002
32	30.20.0007	Driving cover		1	

2.3 Driving assembly

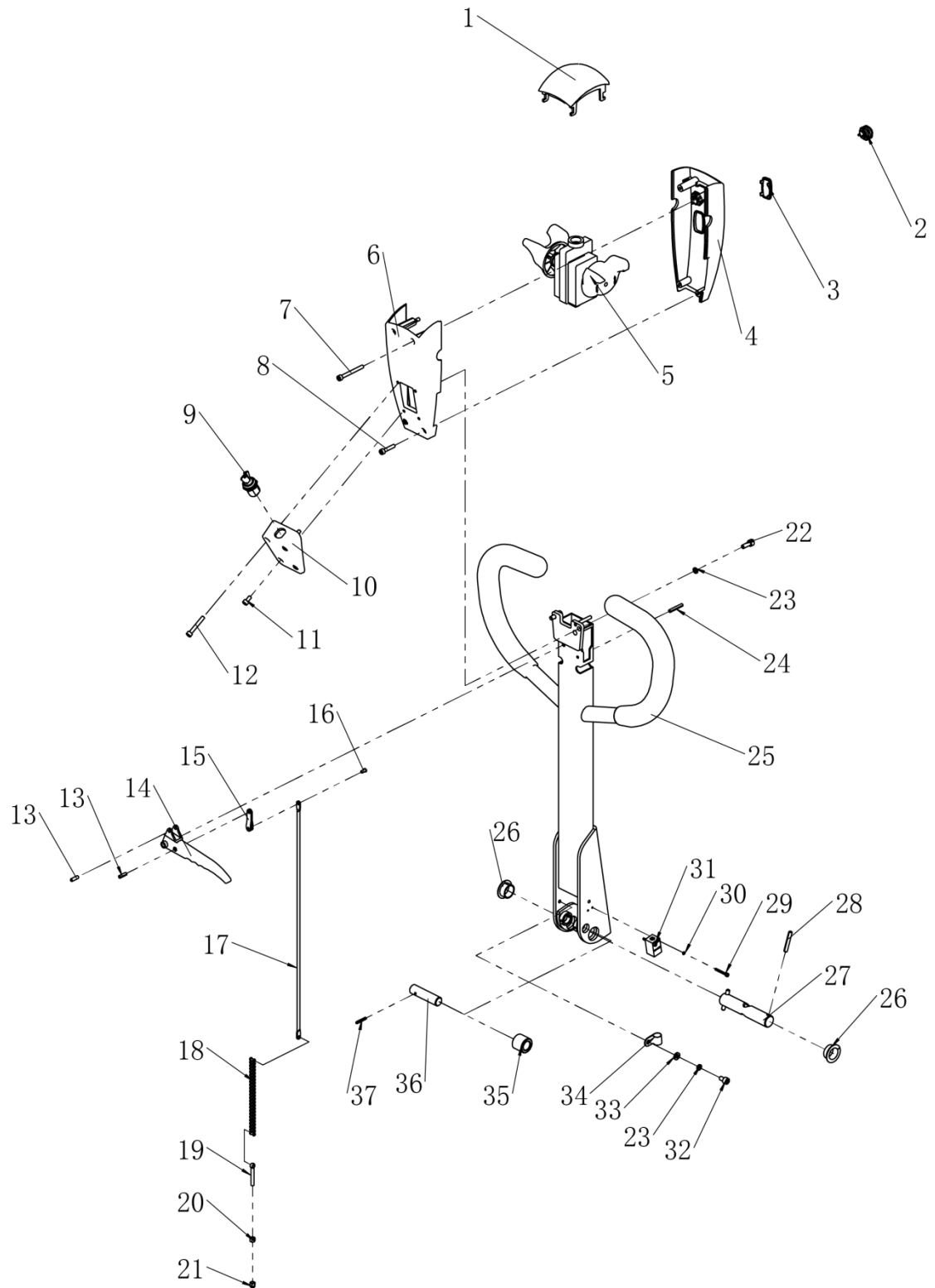


2.3 Driving assembly

No.	Code No.	Description	Specification	Qty.	Remark
1	GB/T13871-92	Framework oil seal	VC 130*145-10	8	
2	03.01049	Hexagon socket head cap screws	M6×20	8	GB/T 70.1-2000
3	03.0011	Spring Washer	Φ6	8	GB/T79-1987
4	1115-220000-0B	Driving wheel		1	
5	Z130D750-24A1-26.5S	Driving motor		1	
6	JX6-2	Connecting box		1	
7	GB/T1096-2003	Key 5*5*14 double round head	A type Key	1	
8	1115-200005-0B	Small helical		1	
9	GB/T276-94	Anti-friction bearing61824-2RS	Φ120*Φ150*16	1	
10	ZD-NL-571-001	Adjust Washer	40CR	1	
11	GB/T 893.1-86	Circlip for hole	Φ150	1	
12	GB/T276-94	Anti-friction bearing61824-2RS	Φ120*Φ150*16	1	
13	1115-200002-0B-X	Straight ring	20CrMnTi	1	
14	GB/T13871-92	Framework oil seal	TCΦ155*Φ172*10	1	
15	ZD-SJ-504-001	BOX	QT450	1	
16	03.0013	Spring Washer	Φ8	5	GB/T79-1987
17	03.0158	Hexagon socket head cap screws	M8×35	5	GB/T 70.1-2000
18	1115-200003-0B	Small straight tooth		1	
19	GB/T1096-2003	Key 5*5*20double round head	A type Key	1	

20	1115-200004-0B	Large tooth		1	
21	GB/T276-94	Anti-friction bearing	61905-ZZ	1	
22	ZD-RY-505-001	Box cover	ADC12	1	
23	GB/T13871-92	Framework oil seal	TCΦ16*Φ28*7	1	
24	03.0011	Spring Washer	Φ6	8	GB/T79-1987
25	03.01049	Hexagon socket head cap screws	M6×20	8	GB/T 70.1-2000
26	JB/T7940.1-1995	Straight-through injection oil cup		1	
27	GB/T119.1-2000	Locating pin	5*15	1	
28	GB/T1096-2003	Key 5*5*8double round head	A type Key	1	
29	ZD-NL-571-002	Brake hex		1	
30	GB/T894.1-86	Circle for shaft	Φ15	1	
31	ZD-HZDC-362-001	6N.M Brake		1	
32	ZD-ZJNL-076-001	Brake plug		1	

3.1 Operating handle assembly (Manual lowering)

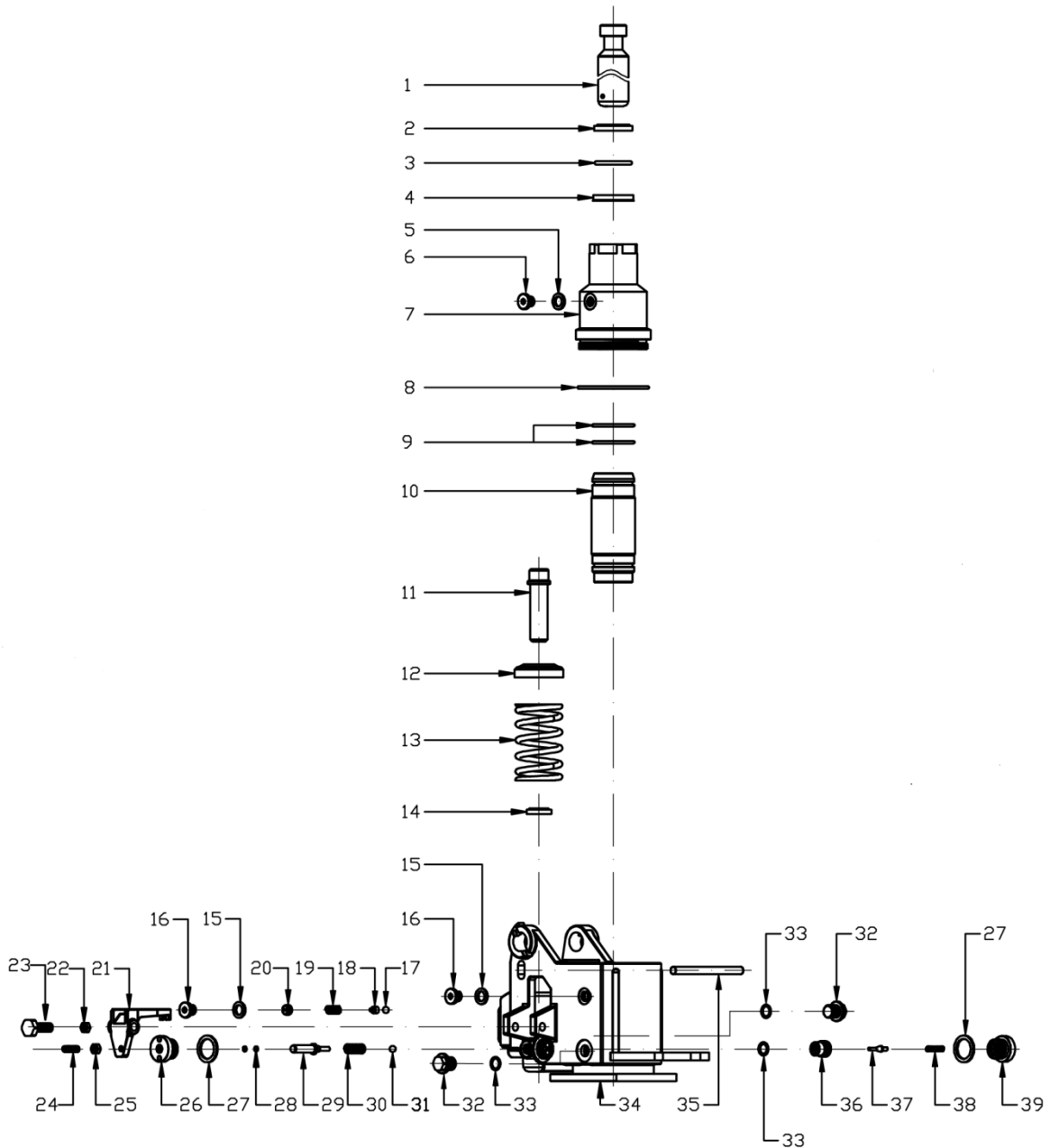


3.1 Operating handle assembly(Manual lowering)

No.	Code No.	Description	Specification	Qty.	Remark
1	16.0038	Emergency revise switch		1	
2	16.0246	Metal button	GQ19SH-10	2	
3	02.DLB.317703	Electricity meter	24V	1	
4	02.FGJ.32834	Handle upper cover		1	
5	02.01.9048	Accelerator	24V	1	
6	02.FGJ.32835	Handle lower cover		1	
7	03.03644	Hexagon socket head cap screws	M5×50	2	GB/T 70.1-2000
8	03.01410	Hexagon socket head cap screws	M5×25	2	GB/T 70.1-2000
9	02.01.2193	Key switch	2801	1	
10	02.FGJ.0219	Handle key box		1	
11	03.0139	Hexagon socket head cap screws	M5×10	2	GB/T 70.1-2000
12	03.01340	Hexagon socket head cap screws	M5×35	2	GB/T 70.1-2000
13	03.0312	Elastic cylindrical pin	Φ4×16	2	GB/T 879.2-2000
14	30.01.3270	Knob		1	
15	30.01.3268	Connecting board		1	
16	03.0703	Axis pin	Φ4×8	1	GB 882-88
17	30.20.0009	Pull rod		1	
18	02.01.3161	T40Roller chain	98 节	1	
19	30.01.3272	Eye bolt		1	
20	03.0255	Hexagon nut	M5	1	GB/T 41-2000
21	03.02441	Hexagon lock nut	M5	1	GB/T 889.1-2000
22	03.0147	Hexagon socket head cap screws	M6×16	2	GB/T 70.1-2000

23	03.0011	Spring Washer	Φ6	3	GB/T 93-1987
24	03.03101	Elastic cylindrical pin	Φ4×30	1	GB/T 879.2-2000
25	30.20.0008	Handle welded		1	
26	03.0692	Composite set with shoulder	Φ31×Φ23×Φ20 ×10	2	
27	30.02.046	Shaft		1	
28	03.0303	Elastic cylindrical pin	Φ5×35	2	GB/T 879.2-2000
29	03.01301	Hexagon socket head cap screws	M3×25	2	GB/T 70.1-2000
30	03.00091	Spring Washer	Φ3	2	GB/T 93-1987
31	02.01.9274	Proximity switch	24V	1	
32	03.0175	Hexagon socket head cap screws	M6×10	1	GB/T 70.1-2000
33	03.0049	Flat washer	Φ6	1	GB/T 95-2002
34	03.0601	R type hoop (with rubber protection)	Φ12	1	
35	30.01.3293	Pressing Roller		1	
36	30.02.047	Shaft		1	
37	03.0702	Elastic cylindrical pin	Φ3×22	1	GB/T 879.1-2000

4.1 Electric cylinder (Manual Lowering)

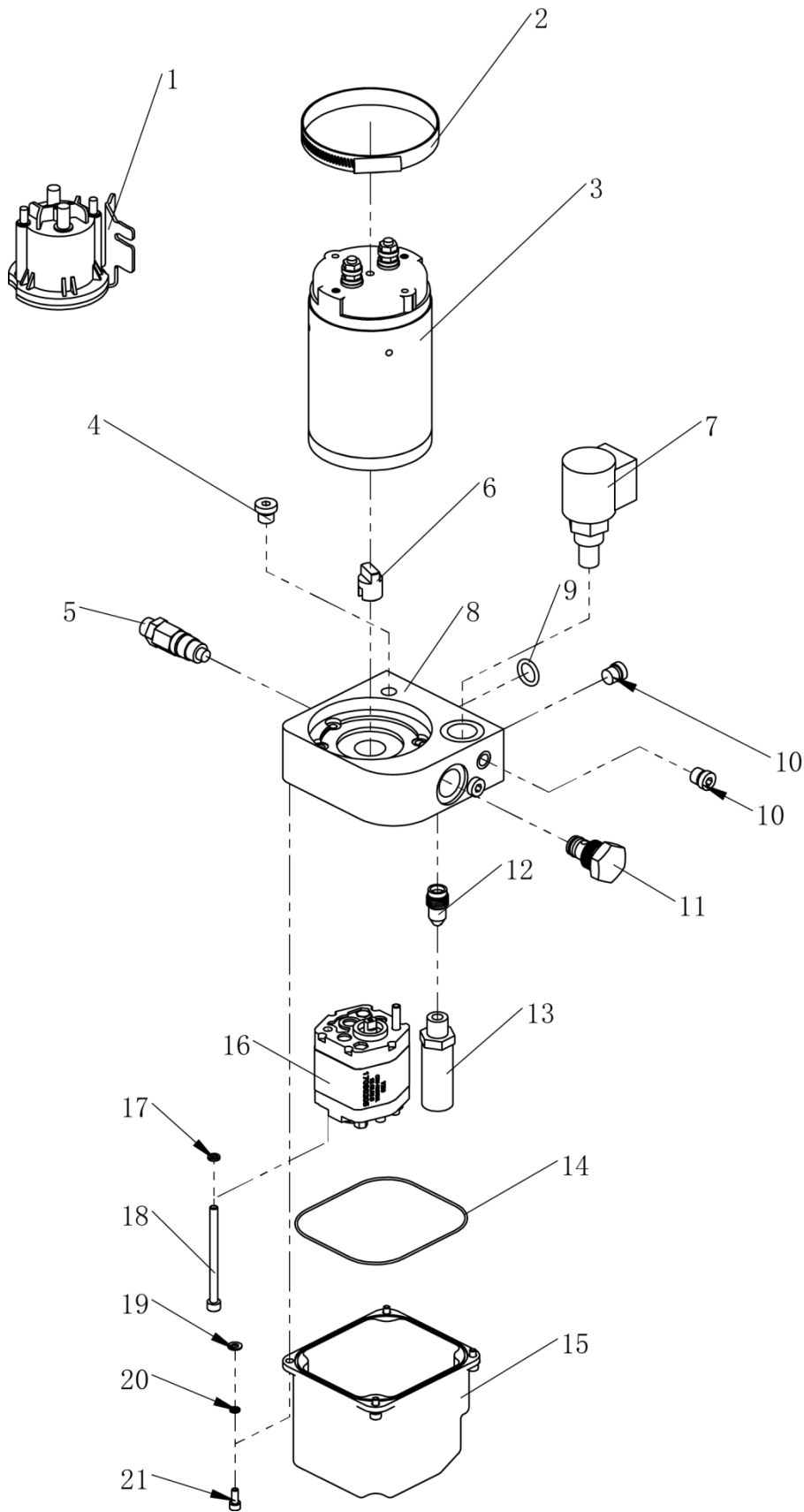


4.1 Electric cylinder (Manual Lowering)

No.	Code No.	Description	Specification	Qty.	Remark
1	CDD-ME2T-685-35-0001	Plunger lever		1	
2	DHS35	Dust band		1	
3	GB/T3452.1-1992	O ring	Φ41×3.5	1	
4	UHS35	Seal ring		1	
5	CDB-MA2T-685-0050	Compound gasket	Φ10	3	
6	CDB-MA2T-685-0060	The little screw		3	
7	CDD-ME2T-685-35-0002	Outer cylinder		1	
8	GB/T3452.1-1992	O ring	Φ69×2.5	1	
9	GB/T3452.1-1992	O ring	Φ42×2	2	
10	CDB-MA2T-685-35-0003	Inner cylinder		1	
11	CDD-ME2T-685-0020	Small pump core		1	
12	CDB-MA2T-685-0100	Spring gland		1	
13	CDD-ME2T-685-0030	The pump core spring		1	
14	CDB-MA2T-685-0120	Dust band		1	
15	CDB-MA2T-685-0050	Compound gasket	Φ10	3	
16	CDB-MA2T-685-0060	Small pump core		3	
17	CDB-MA2T-685-0180	Steel ball	Φ4.75	1	
18	C-8	Safety seat		1	
19	C-17	Relief valve spring		1	
20	C-9	Safety valve adjusting screw		1	
21	CDD-ME2T-685-0040	Switch plate		1	
22		Nut	M8	1	
23		Screw	M8×65	1	
24	GB/T73-1985	Slotted set screws with cone point	M6×25	1	
25	GB/T41-2000	Hex nut	M6	1	
26	C-11	Copper nut		1	
27	CDB-MA2T-685-0240	Compound gasket	Φ20	2	
28	GB/T3452.1-1992	O ring	Φ11×1.9	2	
29	CDD-ME2T-685-0050	Plunger		1	
30	C-15	Plunger spring		1	
31	CDB-MA2T-685-0270	Steel ball	Φ6.35	1	
32		PLUG 1/4		2	
33	GB/T3452.1-1992	O ring	Φ14×1.9	2	
34	CDD-ME2T-685-35-0060	Oil cylinder welded		1	
35	CDB-MA2T-685-35-0170	Stop lever	Φ8×100	1	
36	H-3290	Valve body		1	
37	H-3310	Valve element		1	

38	H-3320	Valve element spring		1	
39	C-7	Plug screw		1	

4.2 Power unit

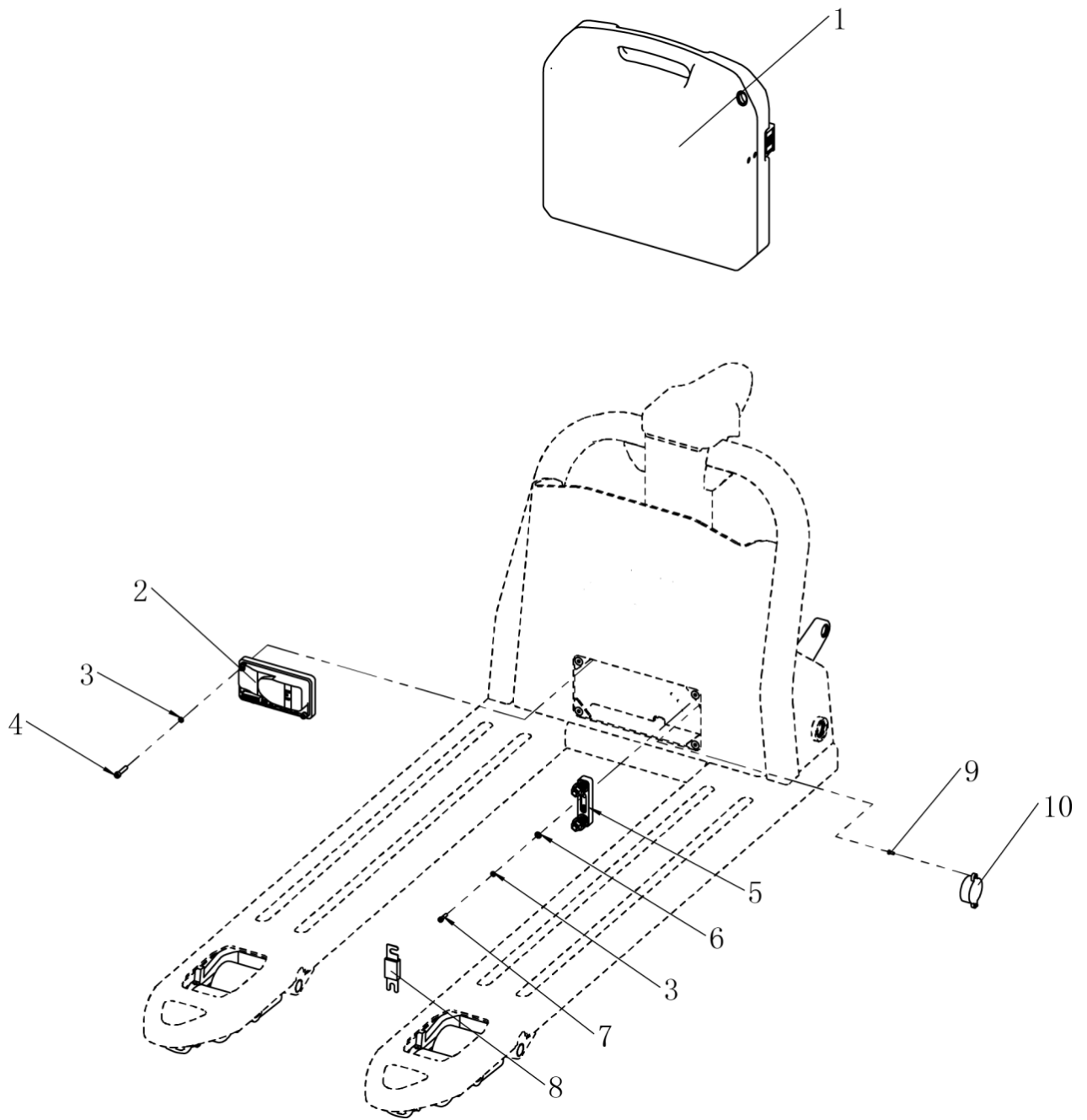


4.2 Power unit

No.	Code No.	Description	Specification	Qty.	Remark
1	02.01.9264	DC contactor	100A	1	
2	03.1045	Hoop		1	
3	02.DJ.33628	DC Motor	24V/0.5Kw	1	
4	19.1385	Silencer	BSLM-01 (R1/8)	1	
5	02.01.90291	Overflow Valve	YF08-01	1	
6	02.01.9332	Coupling		1	
7	02.01.9334	Solenoid valve	24V	1	
8	02.01.9336	Valve body		1	
9	03.05162	O sharp rubber sealing ring	13×2.65	1	
10	02.01.9153	Plug(with O ring)	5/16	3	
11	02.01.9028	Check valve	DF08-01	1	
12	02.01.9338	Pressure filling valveG1/4	1.2mm/3L	1	
13	02.YYL.3980	Oil return pipeG1/4		1	
14	03.05163	O sharp rubber sealing ring	105×1. 5	1	L=323.5
15	02.01.9339	fuel tank		1	
16	02.01.9337	Gear pump	HDK0.5S0.50B3L2B-B	1	
17	03.0007	Spring washer	Φ5	2	GB/T 93-1987
18	03.03646	Hexagon socket head cap screws	M5×60	2	GB/T 70.1-2000
19	03.00491	Flat Washer	Φ4	4	GB/T 95-2002
20	03.0008	Spring washer	Φ4	4	GB/T 93-1987

21	03.0123	Hexagon socket head cap screws	M4×10	4	GB/T 70.1-2000
----	---------	--------------------------------	-------	---	----------------

5.1 Electrical assembly



5.1Electrical assembly

No.	Code No.	Description	Specification	Qty.	Remark
1	02.XDC.3423	Lithium battery	24V/30AH	1	Standard configuration
			24V/40AH	1	Optional configuration
2	02.KZQ.2377	Controller	1212P-2501	1	Standard configuration
			1212C-2506	1	Optional configuration
3	03.01410	Hexagon socket head cap screws	M5×25	2	GB/T 70.1-2000
4	03.0007	Spring washer	Φ5	4	GB/T 93-1987
5	02.01.3057	Fuse base	SY Y	1	
6	03.0055	Flat Washer	Φ5	2	GB/T 95-2002
7	03.0133	Hexagon socket head cap screws	M5×16	2	GB/T 70.1-2000
8	19.03450	Fuse	CNP-100A	1	
9	03.02151	Cross recess pan head screw	M3×8	2	GB/T 818-2000
10	19.03620	Buzzer	24V	1	

The power of interpretation of this part catalogue will be preserved by the manufacturer eventually.