

EKKO[®]

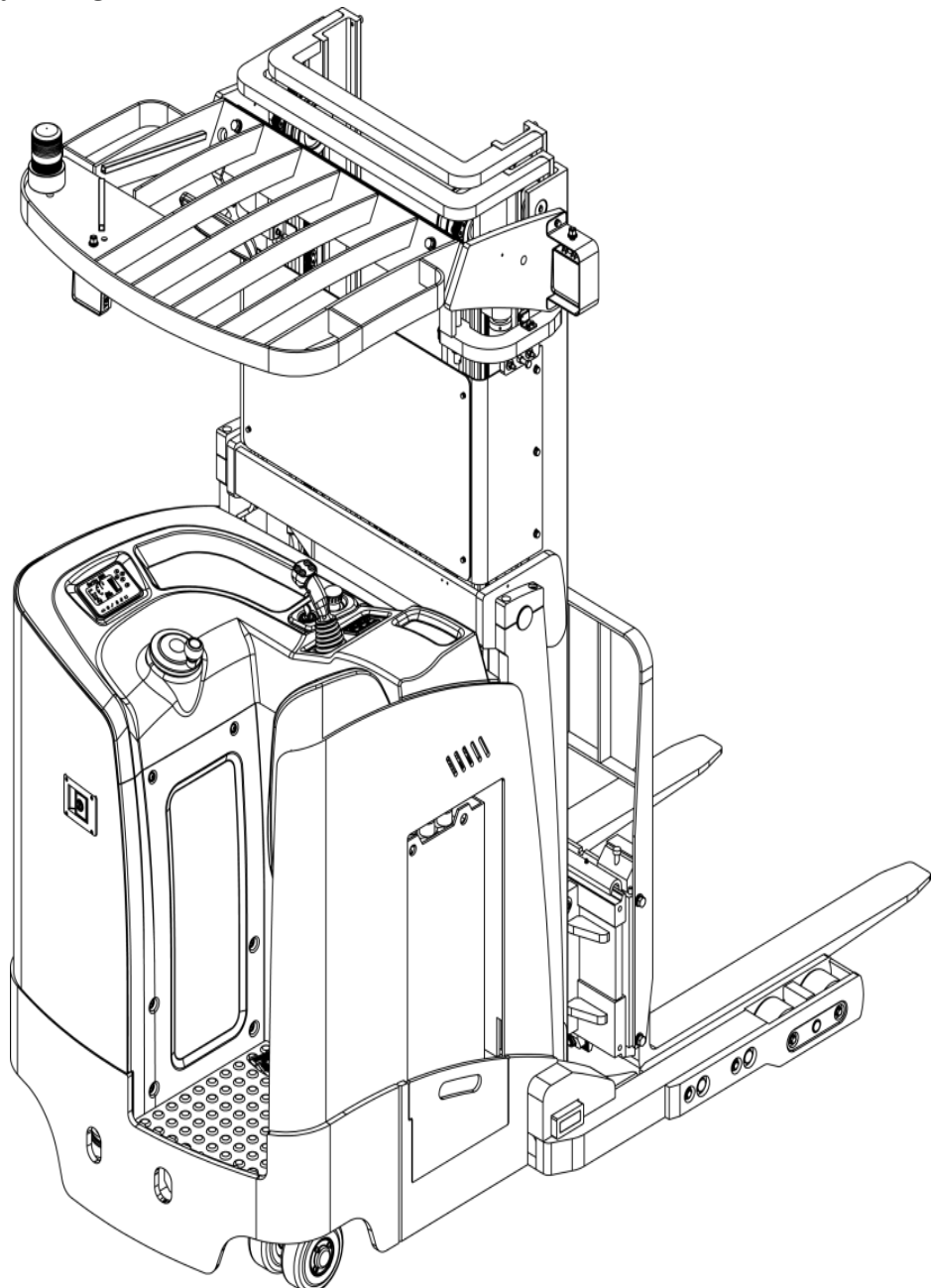
MATERIAL HANDLING EQUIPMENT

MOVING AHEAD

Part list

Scissor Reach Electric Truck

EK18RR & EK18RRL

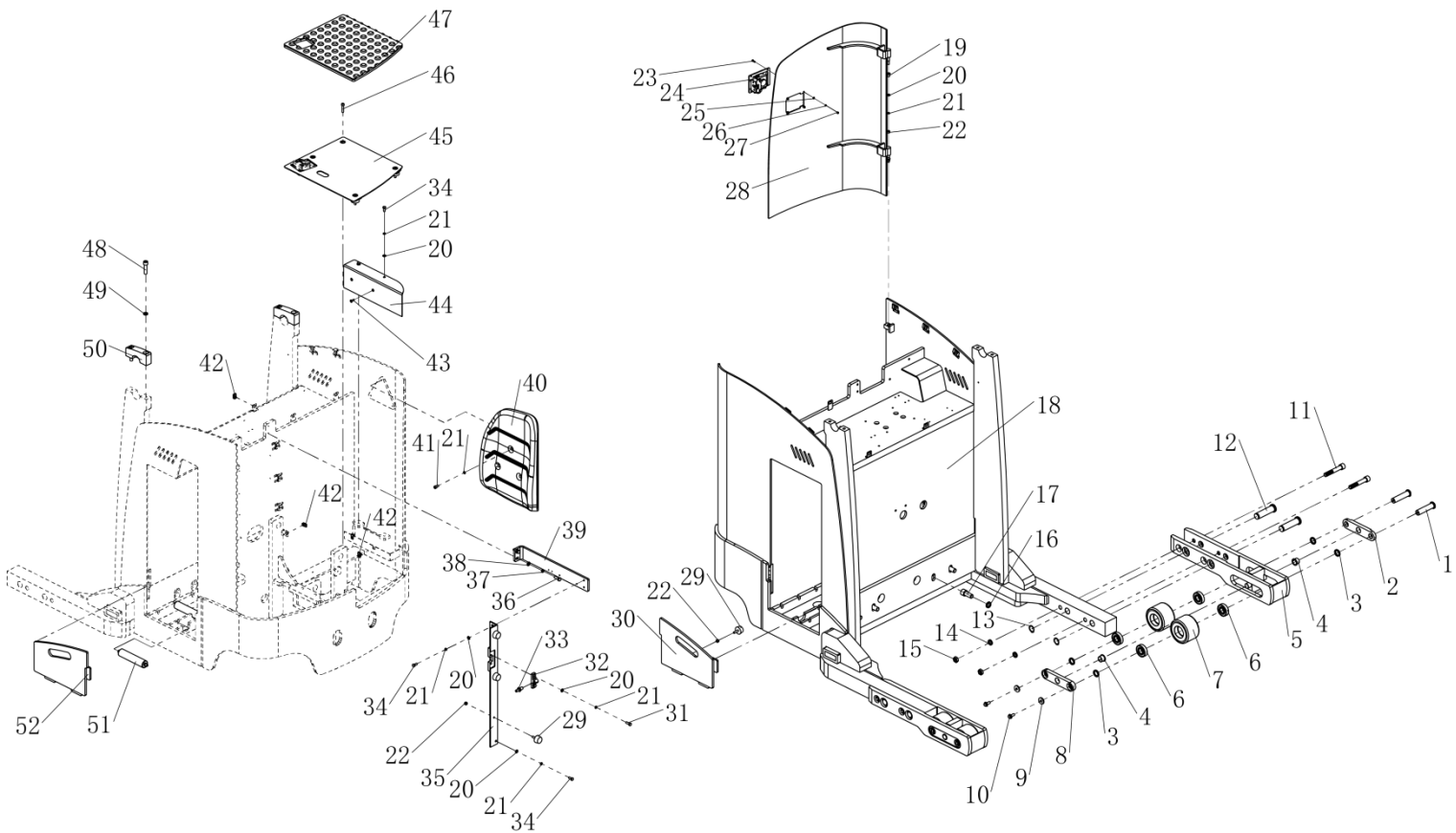


Content

1.Bodywork system	1
1.1Frame assembly.....	1
1.1.1Driving system	4
1.1.2Steering wheel assembly	8
2.Hydraulic system	10
2.1Hydraulic system	10
2.2Door frame hydraulic lifting system	13
3.Electrical System	16
3.1Electrical assembly	16
4.Door frame system	19
4.1Door frame system.....	19
4.1.1Outer mast welding.....	21
4.1.2Middle mast welding	24
4.1.3Inner mast assembly	26
4.1.4Fork Carriage assembly.....	28
4.1.5Sprocket bracket assembly	40
4.2Chain assembly.....	42
5.Cover system	44
5.1Cover assembly.....	44

1.Bodywork system

1.1Frame assembly

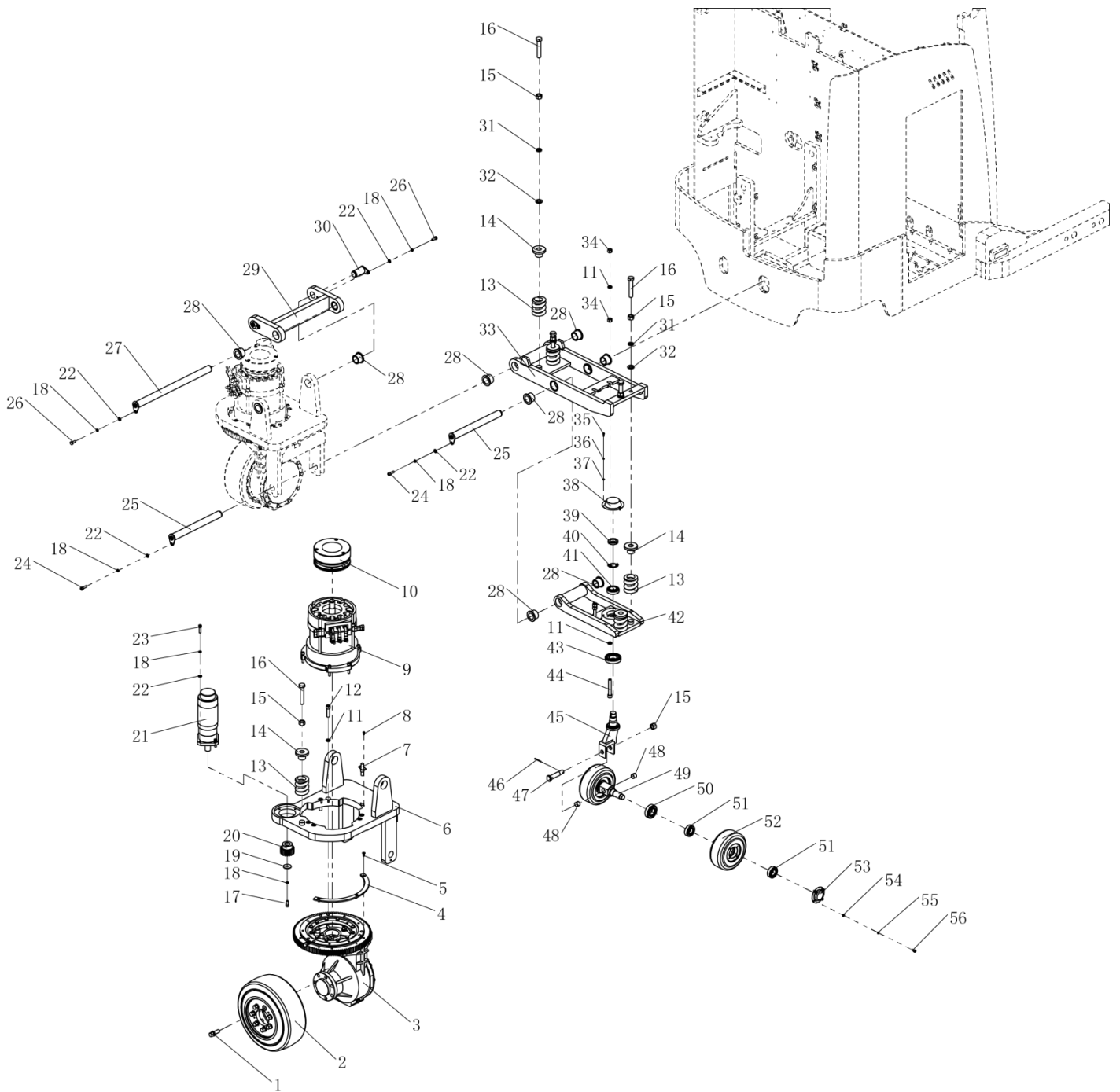


1.1 Frame assembly

No.	Code	Description	Specification	QTY	Remark
1	QGB18X-01.2.3	Axle		4	
2	QGB18X-01.2.7	The joint board Left		2	
3	QGB18X-01.2.5	Spacer		8	
4	03.0983	Composite set with shoulder	$\Phi 35 \times \Phi 28 \times \Phi 25 \times 20$	4	
5	QGB18X-01.2.1	Wheel bracket welding		2	
6	03.90.019	Deep groove ball bearing	6305-2Z	8	GB/T 276-94
7	QGB18X-01.2.10	Front wheel	$\Phi 125 \times 82$	4	800KG
8	QGB18X-01.2.8	The joint board Right		2	
9	QGB18X-01.2.9	Washer		4	
10	03.1068	Hexagon head flange bolts	M10×25	4	GB/T 5789
11	03.0988	Hexagon socket head screw with fine teeth	M18×1.5×110	4	GB70-85
12	QGB18X-01.2.2	Wheel bracket shaft		4	
13	03.0068	Circlip for shaft	30	4	GB 894.1-86
14	03.0971	Spring Washer	$\phi 18$	4	GB/T 93-1987
15	03.09431	Hexagon thin nut with fine teeth	M18×1.5	4	GB/T 6173-2000
16	03.0018	Spring Washer	$\Phi 20$	4	GB/T 93-1987
17	03.0718	Hexagon socket head cap screws	M20×40	4	GB/T 70.1-2000
18	QGB18X-01.1	Main frame welding		1	
19	Q15GB-01.2.3	Composite set with shoulder	$\Phi 17 \times \Phi 12 \times \Phi 10 \times 8$	2	
20	03.0050	Flat Washer	$\Phi 8$	9	GB/T 95-2002
21	03.0012	Spring Washer	$\Phi 8$	15	GB/T 93-1987
22	03.0258	Hexagon nut	M8	7	GB/T 6170-2000
23	03.0232	Cross recessed pan head screw	M5×16	4	GB/T 818-2000
24	19.0479	Hood lock	NBS508	1	
25	03.0055	Flat Washer	$\Phi 5$	4	GB/T 95-2002
26	03.0007	Spring Washer	$\Phi 5$	4	GB/T 93-1987
27	03.0255	Hexagon nut	M5	4	GB/T 6170-2000
28	QGB18X-01.7.1	Rear cover welding		1	
29	02.01.2315	Damping pad (with screw M8×30)	with screw M8×30	5	
30	QGB18X-01.10.1	Battery side plate welding Right		1	

31	03.0375	Hexagon bolts full thread	M8×25	2	GB/T 5783-2000
32	Q15GB-01.23	Bump		1	
33	Q15GB-01.24	Bolt		1	
34	03.0357	Hexagon bolts	M8×20	5	GB/T 5783-2000
35	QGB18X-01.6.1	Mounting bracket welding		1	
36	03.0778	Hexagon bolts	M10×30	2	GB/T 5783-2000
37	03.0014	Spring Washer	Φ10	2	GB/T 93-1987
38	03.0043	Flat Washer	Φ10	2	GB/T 97.2-1985
39	QGB18X-01.16.1	Connect bracket		1	
40	EGS18L-01.10	Backrest		1	
41	03.0153	Hexagon socket head cap screws	M8×16	6	GB/T 70.1-2000
42	03.0587	Spring clip nut	M6	8	
43	03.0088	Hexagon socket countersunk head screws	M6×20	2	GB/T 70.3-2000
44	QGB18X-01.15	Cover plate		1	
45	QGB18X-01.8.1	Foot pedal welding		1	
46	03.0159	Hexagon socket head cap screws	M8×40	4	GB/T 70.1-2000
47	QGB18X-01.8.2.1	Foot pad		1	
48	03.0196	Hexagon socket head cap screws	(M14)×45	4	GB/T 70.1-2000
49	03.0016	Spring Washer	φ14	4	GB/T 93-1987
50	QGB18X-01.14	Bearing bush		2	
51	02.01.9179	T40 Roller	G1800-3815-12- W169-L200	9	
52	QGB18X-01.9	Battery side plate welding left		1	

1.1.1 Driving system

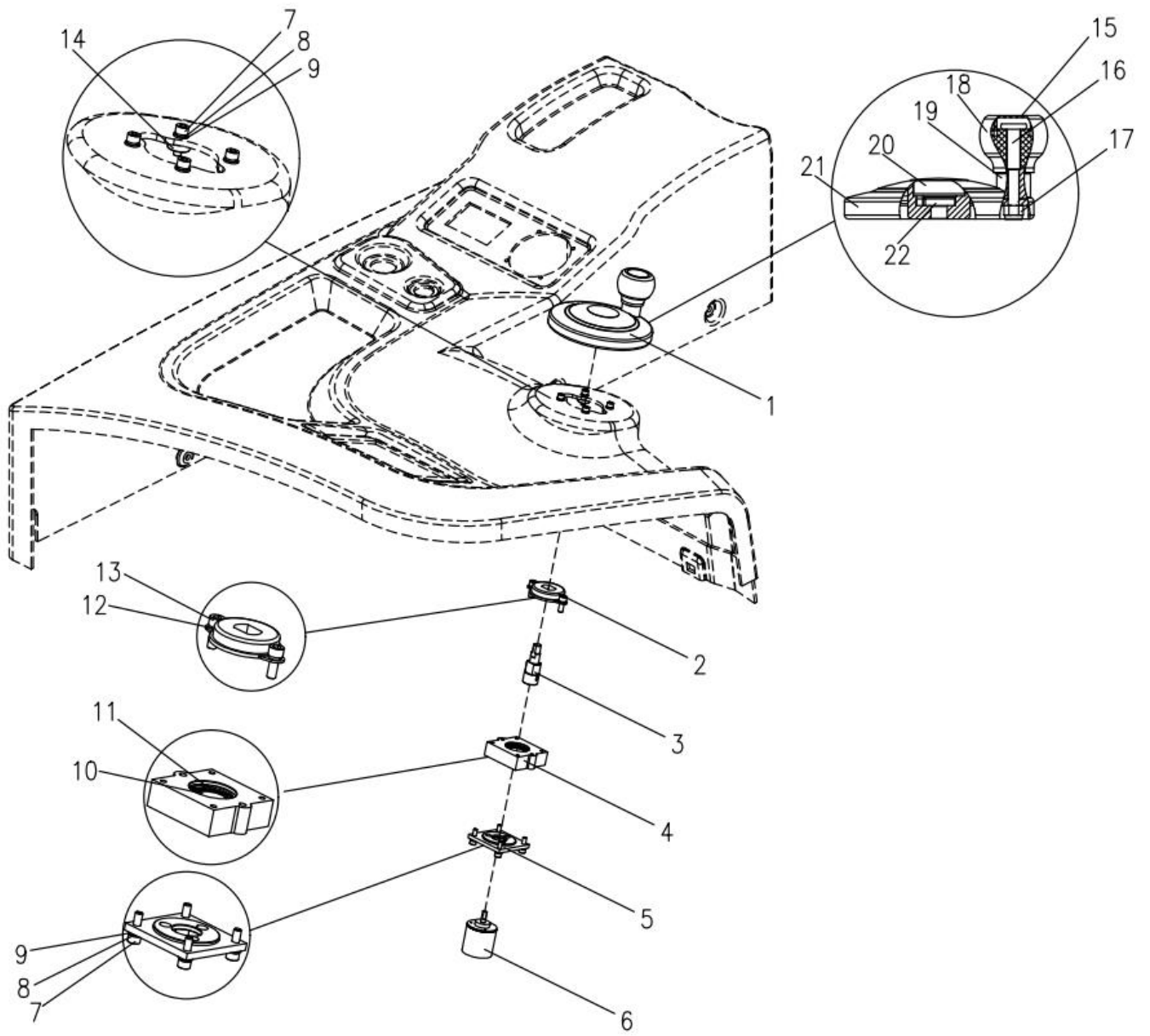


1.1.1 Driving system

No.	Code	Description	Specification	QTY	Remark
1	03.0980	Outer hexagonal spherical hub bolts	M14×30×1.5	7	
2	QGB20S-01.8.2	Driving wheel assembly	Φ343×132	1	
3	02.01.9166	Gearbox assembly	DDS35	1	
4	QGB20S-01.8.3	Sensor strip		1	
5	03.0418	Cross recessed countersunk head screws	M6×16	3	GB/T819.2-1986
6	QGB18X-01.4.1.1	Floating frame welding		1	
7	19.034653	Inductive proximity switch	CJY12S-04PA	1	
8	03.0215	Cross recessed pan head screw	M4×12	2	GB/T 818-2000
9	02.DJ.00834	Driving motor	48V/6.0KW	1	1R343365
10	02.01.00532	Electromagnetic brake	CDC-C14(45V)90C25	1	
11	03.0015	Spring Washer	Φ12	10	GB/T 93-1987
12	03.0190	Hexagon socket head cap screws	M12×45	6	GB/T 70.1-2000
13	QGB18X-01.4.7	Damping spring		6	
14	QGB18X-01.4.1.2	Spring base		5	
15	03.0260	Hexagon nut	M16	6	GB/T 6170-2000
16	03.0391	Hexagon bolts full thread	M16×90	5	GB/T 5783-2000
17	03.0154	Hexagon socket head cap screws	M8×20	1	GB/T 70.1-2000
18	03.0012	Spring Washer	Φ8	22	GB/T 93-1987
19	QGB20S-01.8.4	Big washer		1	
20	02.01.9085	Steering pinion gear		1	
21	02.DJ.2109	Steering motor	Z90DPN48600	1	
22	03.0050	Flat Washer	Φ8	9	GB/T 95-2002
23	03.0157	Hexagon socket head cap screws	M8×30	4	GB/T 70.1-2000
24	03.0156	Hexagon socket head cap screws	M8×25	2	GB/T 70.1-2000
25	QGB18X-01.4.5	Balance wheel shaft welding		2	
26	03.0357	Hexagon bolts	M8×20	3	GB/T 5783-2000

27	QGB18X-01.4.4	Driving long shaft welding		1	
28	Q15GB-01.9.1.2	Driving bushing	$\Phi 30 * \Phi 40 * \Phi 50 * 25$	10	
29	QGB18X-01.4.3.1	I-beam welding		1	
30	Q15GB-01.9.4	Driving short shaft welding		2	
31	03.0017	Spring Washer	$\Phi 16$	4	GB/T 93-1987
32	03.0047	Flat Washer	$\Phi 16$	4	GB/T 95-2002
33	QGB18X-01.4.2.1	Lower hinged frame welded		1	
34	03.0262	Hexagon nut	M12	4	GB/T 6170-2000
35	03.0123	Hexagon socket head cap screws	$M4 \times 10$	3	GB/T 70.1-2000
36	03.0008	Spring Washer	$\Phi 4$	3	GB/T 93-1987
37	03.0054	Flat Washer	$\Phi 4$	3	GB/T 95-2002
38	Q15GB-01.10.9	Wheel bracket upper end cover		1	
39	03.0290	Round nut	$M27 \times 1.5$	1	GB/T 812-1988
40	03.0528	Round nut lock washer	27	1	GB 858-1988
41	03.90.043	Tapered Roller Bearings	32006	1	GB/T 297-94
42	QGB18X-01.4.6.1	Balance frame welding		1	
43	03.90.044	Tapered Roller Bearings	30207	1	GB/T 297-94
44	03.0195	Hexagon socket head cap screws	$M12 \times 70$	2	GB/T 70.1-2000
45	Q15GB-01.10.3	Axle seat welding		1	
46	03.03300	Cottor pin	3.0×30	1	GB/T 91-2000
47	Q15GB-01.10.6	bolt		1	
48	Q15GB-01.10.7	Composite sleeve	$\Phi 20 \times \Phi 18 \times 15$	2	
49	Q15GB-01.10.4	Axle		1	
50	03.90.017	Deep groove ball bearing	6206-2Z	2	GB/T 276-94
51	03.90.016	Deep groove ball bearing	6205-2Z	4	GB/T 276-94
52	02.LZ.01240	Balance wheel	$\Phi 178 \times 73$	2	
53	Q15GB-01.10.2.1	Balance wheel end cap		2	
54	03.0049	Flat Washer	$\Phi 6$	8	GB/T 97.2-1985
55	03.0011	Spring Washer	$\Phi 6$	8	GB/T 93-1987
56	03.0145	Hexagon socket head cap screws	$M6 \times 12$	8	GB/T 70.1-2000

1.1.2 Steering wheel assembly

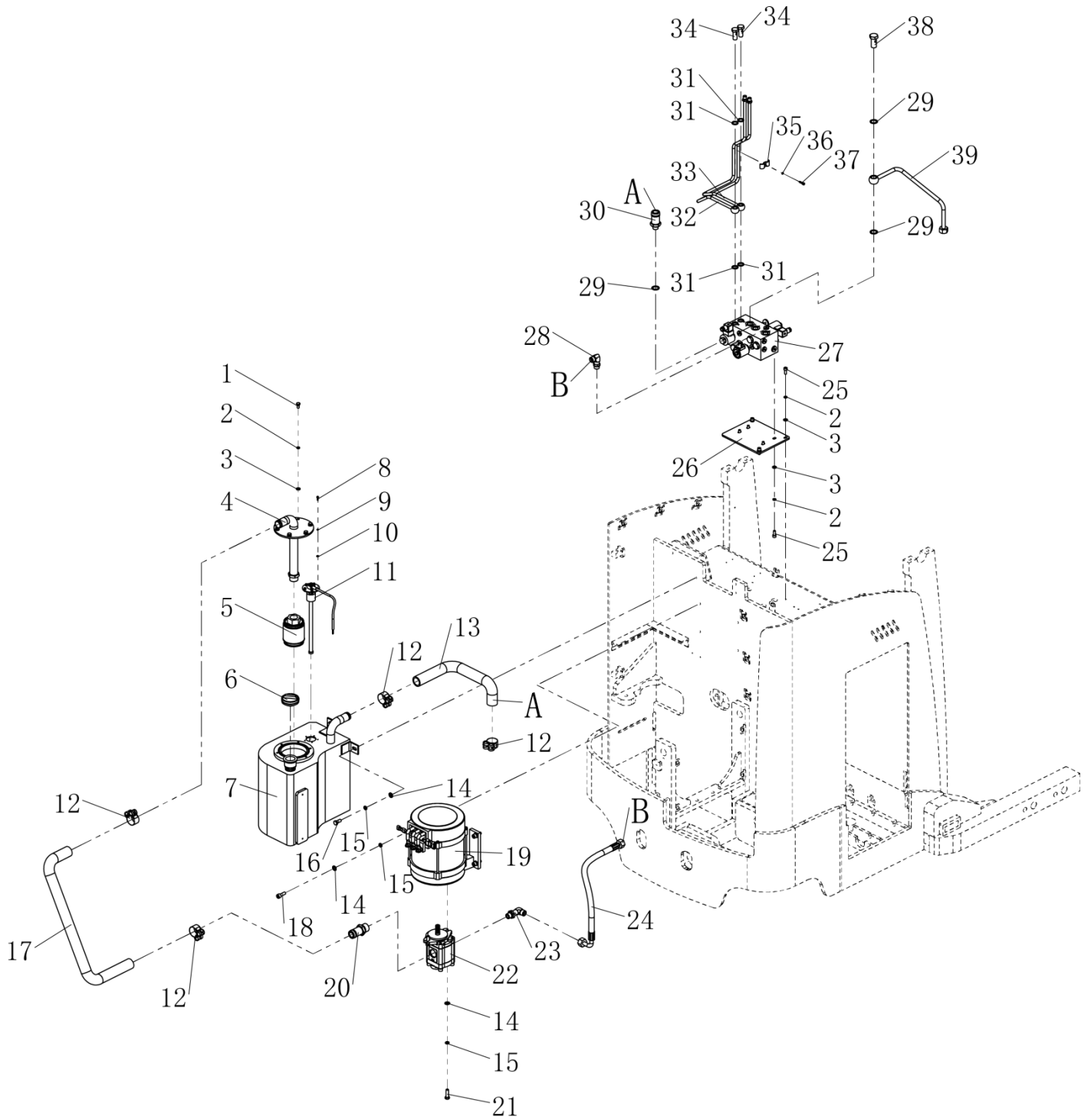


1.1.2 Steering wheel assembly

No.	Code	Description	Specification	QTY	Remark
1	Q15GB-01.7.4	Steering wheel assembly		1	
2	19.1295	Rotating damper	ZB-48c19	1	
3	JXG10-02.4.4.1.2	Rotating shaft		1	
4	JXG10-02.4.4.1.1	Encoder seat		1	
5	QGB15E-01.6.2.1	Flange		1	
6	02.BMQ.2200	Steering encoder	E6B2-CWZ6C	1	
7	03.0133	Hexagon socket head cap screws	M5×16	8	GB/T 70.1-2000
8	03.0007	Spring Washer	φ 5	8	GB/T 93-1987
9	03.0055	Flat Washer	φ 5	8	GB/T 97.1-2002
10	03.90.099	Deep groove ball bearing	6804-2Z	1	GB/T 276-94
11		Circlip for hole	32	1	GB 893.1-86
12	03.0011	Spring Washer	φ 6	2	GB/T 93-1987
13	03.0147	Hexagon socket head cap screws	M6×16	2	GB/T 70.1-2000
14	JXG10-02.4.4.9	Washer	Φ 15×Φ 7×5	4	
15	02.01.9017	Q15GB Direction handle cover		1	
16	02.01.9019	Q15GB Direction handle screw		1	
17	03.0244	Hexagon lock nut	M8	1	GB/T 6182-2000
18	02.01.9018	Q15GB Direction handle bar		1	
19	Q15GB-01.7.4.2	Handle post		1	
20	19.0795	Cover	SKT-38	1	
21	Q15GB-01.7.4.1	Steering wheel cover		1	
22	Q15GB-01.7.4.3	Anti-rotation pad		1	

2.Hydraulic system

2.1Hydraulic system

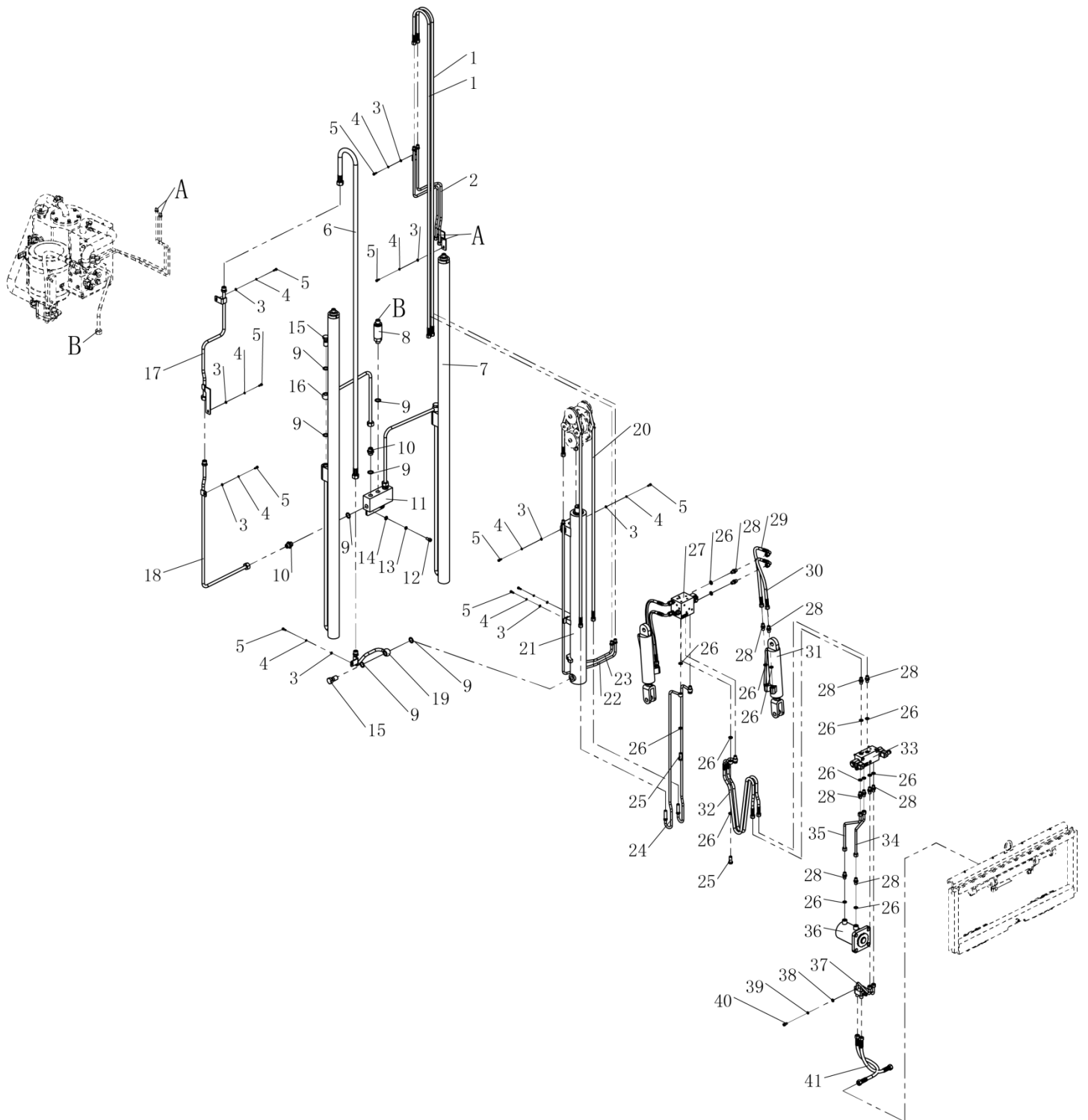


2.1 Hydraulic system

No.	Code	Description	Specification	QTY	Remark
1	03.0373	Hexagon bolts	M8×16	6	GB/T 5783-2000
2	03.0012	Spring Washer	Φ8	13	GB/T 93-1987
3	03.0050	Flat Washer	Φ8	13	GB/T 95-2002
4	QGB18X-01.5.1.2.1	Fuel tank cover plate welded		1	
5	02.01.32985	Oil filter	H24C7-50302-OEM	1	
6	02.01.9175	E25A Fuel tank Cover		1	
7	QGB18X-01.5.1.1	Fuel tank		1	
8	03.0123	Hexagon socket head cap screws	M4×10	5	GB/T 70.1-2000
9	03.0008	Spring Washer	Φ4	17	GB/T 93-1987
10	03.0054	Flat Washer	Φ4	5	GB/T 95-2002
11	19.1421	Oil level sensor	A5-V300CLA500510-5V19W04	1	
12	03.05384	Hoop	Φ40-43	4	
13	QGB18X-01.5.9	Oil return pipe		1	
14	03.0043	Flat Washer	Φ10	8	GB/T 97.2-1985
15	03.0014	Spring Washer	Φ10	8	GB/T 93-1987
16	03.0779	Hexagon bolts full thread	M10×25	2	GB/T 5783-2000
17	QGB18X-01.5.8	Oil suction pipe		1	
18	03.0166	Hexagon socket head cap screws	M10×30	4	GB/T 70.1-2000
19	02.DJ.0093	Pump motor	1U346320	1	(48V11KW AC)
20	QGB20S-01.10.8	Pump straight connector		1	
21	03.0777	Hexagon bolts	M10×35	2	GB/T 5783-2000
22	02.01.9168	Gear pump	DSG05C16F9H1-R016C	1	
23	QGB20S-01.10.7	Right angle adjustable joint		1	
24	QGB18X-01.5.7B	Hose		1	

25	03.0154	Hexagon socket head cap screws	M8×20	7	GB/T 70.1-2000
26	QGB18X-01.5.12	Mounting plate		1	
27	02.DLDY.3466	Main valve group	800602501	1	
28	E10GS-01.7.1	Right angle adjustable joint		1	
29	03.0486	Combination gasket	Φ22	3	GB892-77
30	QGB18X-01.5.4	Oil return joint(2)		1	
31	03.0484	Combination gasket	Φ18	5	GB982-77
32	QGB18X-01.5.14	Steel Pipe		1	
33	QGB18X-01.5.13	Steel Pipe		1	
34	CL20GA-12.12 (FB55)	Hinge bolt (British system)		2	
35	Q15GC-02.3.3.3	Pipe clamp		1	
36	03.0007	Spring Washer	Φ5	3	GB/T 93-1987
37	03.0141	Hexagon socket head cap screws	M5×20	1	GB/T 70.1-2000
38	CL20GA-12.13 (FB55)	Hinge bolt (British system)		1	
39	QGB18X-01.5.6	Steel Pipe		1	

2.2 Door frame hydraulic lifting system



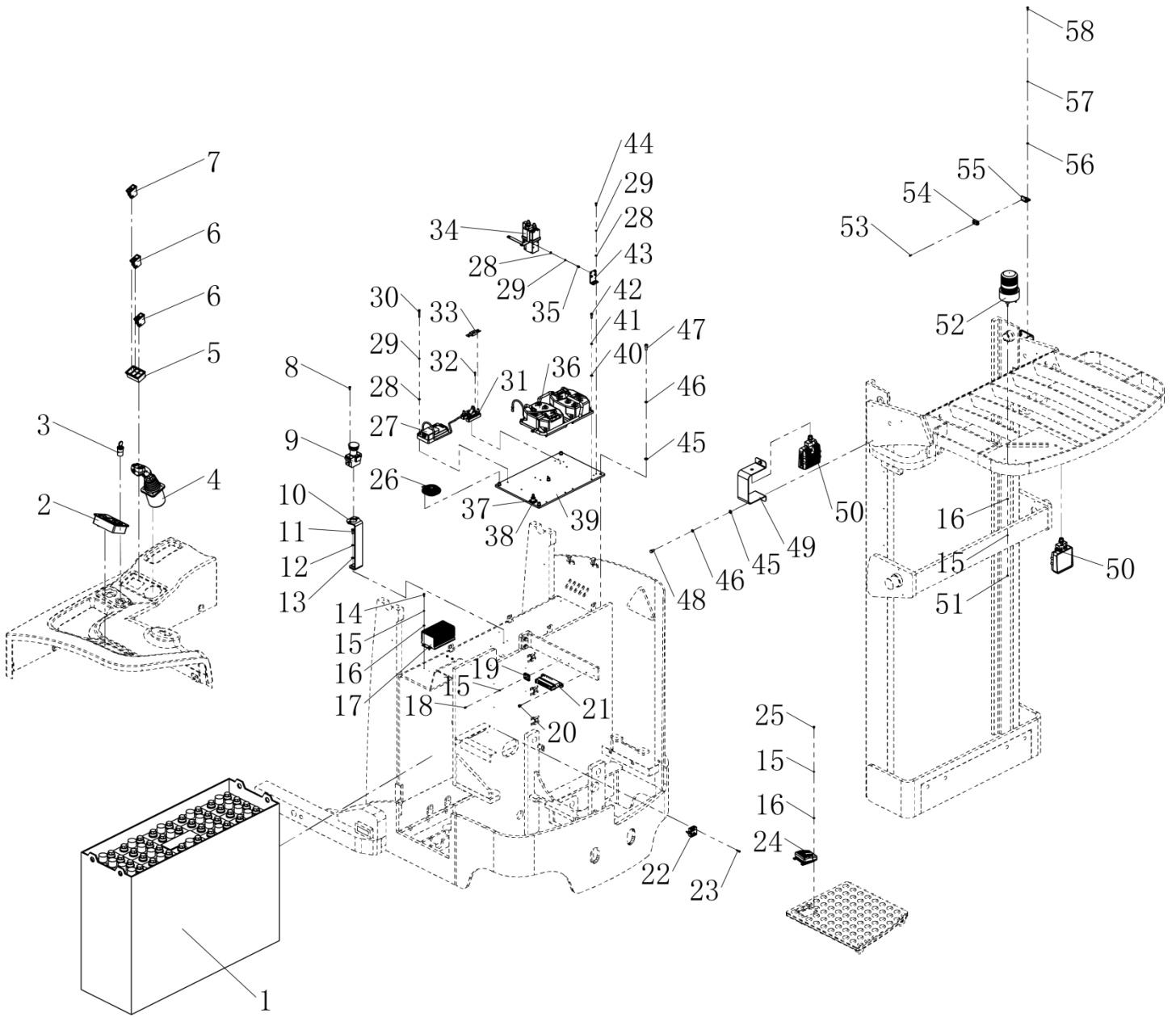
2.2 Door frame hydraulic lifting system

No.	Code	Description	Specification	QTY	Remark
1	QGB18X-02.7.14	Tilt Hose(1)		2	
2	QGB18X-02.7.2	Tilt Steel Pipe welded(1)		1	
3	03.0049	Flat Washer	Φ 6	10	GB/T 97.2-1985
4	03.0011	Spring Washer	Φ 6	10	GB/T 93-1987
5	03.0147	Hexagon socket head cap screws	M6×16	10	GB/T 70.1-2000
6	QGB18X-02.7.13	Lifting Hose		1	
7	QGB18X-02.5	Outer lifting oil cylinder assembly (5M)		2	
8	02.01.01005	Speed limit valve	XSF-F16L-1.5T-1	1	
9	03.0486	Combination gasket	Φ 22	10	GB892-77
10	Q15GB-02.5.17	Connector (4)		3	
11	QGB18X-02.7.11	Tubing seat		1	
12	03.0163	Hexagon socket head cap screws	M10×20	2	GB/T 70.1-2000
13	03.0014	Spring Washer	Φ 10	2	GB/T 93-1987
14	03.0043	Flat Washer	Φ 10	2	GB/T 97.2-1985
15	Q15GB-04.7.16	Hollow bolt		3	
16	QGB18X-02.7.8	Steel Pipe		2	
17	QGB18X-02.7.5	Lifting Steel Pipe welded(1)		1	
18	QGB18X-02.7.7	Lifting Steel Pipe welded(3)		1	
19	QGB18X-02.7.6	Lifting Steel Pipe welded(2)		1	
20	QGB18X-02.7.15	Tilt Hose(2)		2	
21	QGB18X-02.6	Inner lifting oil cylinder assembly (5M)		1	
22	QGB18X-02.7.4	Tilt Steel Pipe welded(3)		1	
23	QGB18X-02.7.3	Tilt Steel Pipe welded(2)		1	
24	QGB18X-02.7.12	Steel Pipe(1)		2	
25	Q1545.08-5	Hollow bolt		4	
26	GB892-77	Φ 14Combination gasket		24	

27	02.DLDY.3468	Stacked assembly	800602515	1	
28	Q15GC-05.5.12	Straight Connector		16	
29	QGB18X-02.7.19	Reach Hose		2	
30	QGB18X-02.7.18	Reach Hose		2	
31	QGB18X-02.4.6	Reach Oil cylinder		2	One for each side
32	QGB18X-02.7.17	Hose		2	
33	02.DLDY.3467	Stacked assembly	800602514	1	
34	QGB18X-02.7.10	Tilt Steel Pipe(2)		1	
35	QGB18X-02.7.9	Tilt Steel Pipe(1)		1	
36	QGB18X-02.4.2.2	Tilt Oil cylinder assembly		1	
37	QGB18X-02.7.1	Side shifter Steel Pipe welded		1	
38	03.0050	Flat Washer	Φ8	2	GB/T 95-2002
39	03.0012	Spring Washer	Φ8	2	GB/T 93-1987
40	03.0153	Hexagon socket head cap screws	M8×16	1	GB/T 70.1-2000
41	E25A-05.7.7	Side shifter short tubing (connect to pallet rack)		2	

3. Electrical System

3.1 Electrical assembly



3.1 Electrical assembly

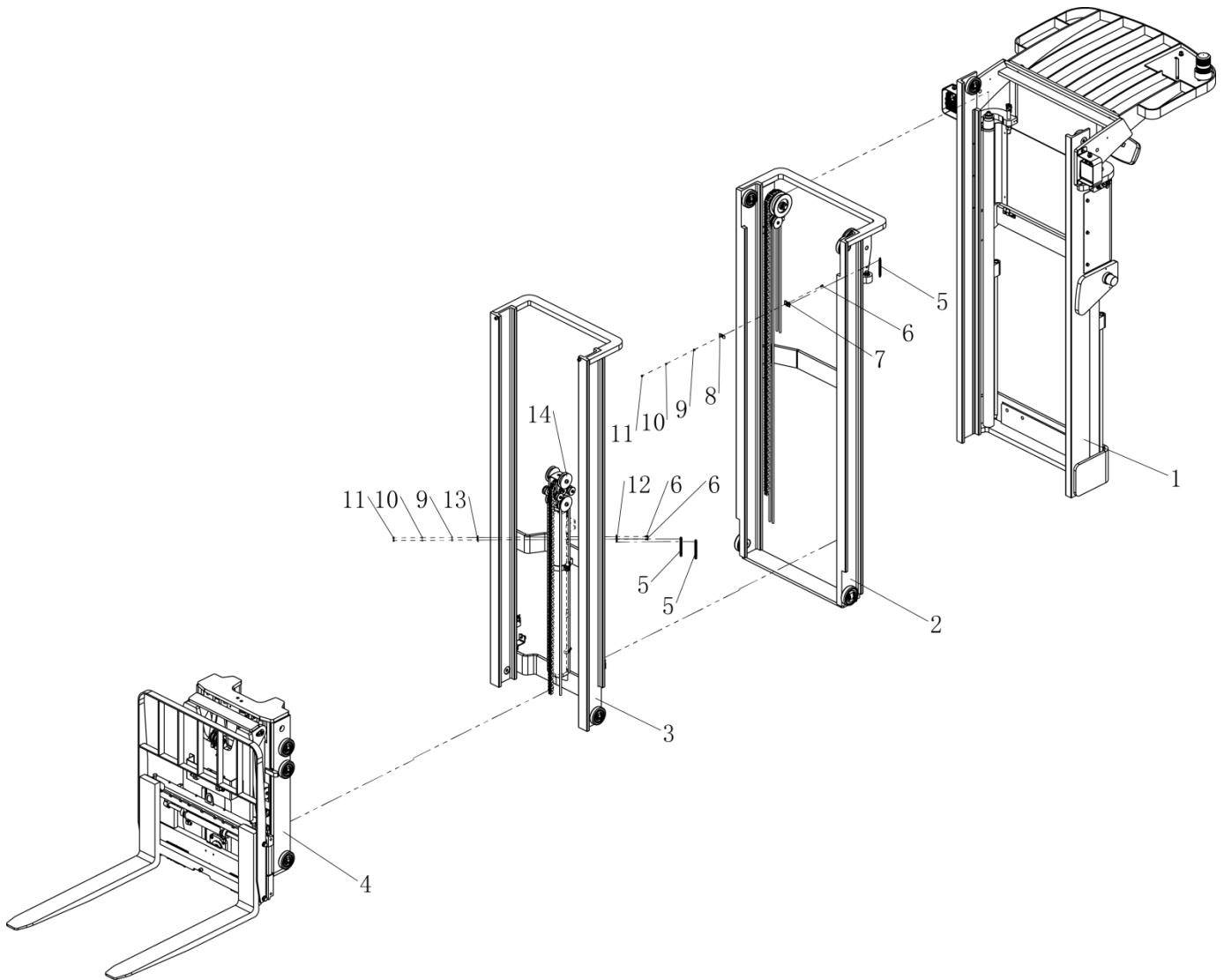
No.	Code	Description	Specification	QTY	Remark
1	QGB18X-01.13	Battery	48V/420Ah	1	
2	02.DLB.21544	Curtis instrument	3501TB-5004	1	
3	02.01.9160	Electric lockXF125		1	
4	02.SB.3191	CZ XQ Industrial joystick		1	
5	16.0440	Warping switch frame	Triptych	1	
6	16.0319	One gear two plug headlight switch		2	
7	16.0541	Warping switch (alarm)		1	
8	03.04141	Cross recessed countersunk head screws	M5×12	2	GB/T 819.1-2000
9	02.01.2248	Emergency stop switch	ZDK32-350	1	
10	QGB18X-01.12.1	Switch fixing plate		1	
11	03.0410	Hexagon bolts	M6×20	2	GB/T 5783-2000
12	03.0011	Spring Washer	Φ6	2	GB/T 93-1987
13	03.0049	Flat Washer	Φ6	2	GB/T 97.2-1985
14	03.0552	Cross recessed pan head screw	M4×14	4	GB/T 818-2000
15	03.0008	Spring Washer	Φ4	12	GB/T 93-1987
16	03.0054	Flat Washer	Φ4	10	GB/T 95-2002
17	02.01.21480	Q15GB2T Full AC DC converter	48-24V 300W 37B2327	1	
18	03.0127	Hexagon socket head cap screws	M4×6	2	GB/T 70.1-2000
19	SL30GB-01.4.7	Wire base		1	
20	03.0227	Cross recessed pan head screw	M6×12	2	GB/T 818-2000
21	19.0773	Fuse box assembly	BX2081*4-WZ	1	
22	02.01.0284	SL13 Driving motor junction box		1	
23	03.0221	Cross recessed pan head screw	M4×20	2	GB/T 818-2000
24	02.01.2236	Foot switch	HRF-M2Y	1	
25	03.0230	Cross recessed pan head screw	M4×10	3	GB/T 818-2000

26	02.01.9181	Single cone electric horn	DL125G	1	
27	02.KZQ.2163	Steering controller	1220E-5401	1	
28	03.0055	Flat Washer	Φ5	8	GB/T 95-2002
29	03.0007	Spring Washer	Φ5	8	GB/T 93-1987
30	03.01340	Hexagon socket head cap screws	M5×35	2	GB/T 70.1-2000
31	02.01.3057	Fuse base		2	
32	03.0215	Cross recessed small pan head screws	M4×12	4	GB 823-88
33	02.01.20001	Fuse	300A	2	
34	02.01.21620	Main Connector	48V/400A	1	
35	03.02260	Cross recessed pan head screw	M5×8	4	GB/T 818-2000
36	02.KZQ.2306	AC Controller	1232SE-5321	2	
37	03.0123	Hexagon socket head cap screws	M4×10	2	GB/T 70.1-2000
38	16.0543	Negative terminal		1	
39	QGB18X-DK.01.1	Electric control aluminum plate	450*300*8	1	
40	03.0049	Flat Washer	Φ6	19	GB/T 95-2002
41	03.0011	Spring Washer	Φ6	19	GB/T 93-1987
42	03.0149	Hexagon socket head cap screws	M6×20	18	GB/T 70.1-2000
43	QGB18X-DK.01.10	Main Connector bracket		1	
44	03.0226	Cross recessed small pan head screws	M5×12	2	GB 823-88
45	03.0050	Flat Washer	Φ8	10	GB/T 95-2002
46	03.0012	Spring Washer	Φ8	12	GB/T 93-1987
47	03.0154	Hexagon socket head cap screws	M8×20	5	GB/T 70.1-2000
48	03.0373	Hexagon bolts	M8×16	4	GB/T 5783-2000
49	QGB18X-02.1.3.1	Headlight cover		2	
50	19.0334	Headlight assembly	PDL-AS27-01	3	
51	03.0254	Hexagon nut	M4	3	GB/T 6170-2000
52	02.01.9176	Rotating warning light	LTD153	1	
53	03.05364	Cross recessed pan head screw	M3×12	2	GB/T 818-2000

54	19.0524	Proximity switch	CLJF10-05NA	1	
55	QGB18X-02.1.12	Switch board		1	
56	03.0055	Flat Washer	$\Phi 5$	2	GB/T 95-2002
57	03.0007	Spring Washer	$\Phi 5$	2	GB/T 93-1987
58	03.04090	Hexagon bolts	M5×12	2	GB/T 5783-2000

4. Door frame system

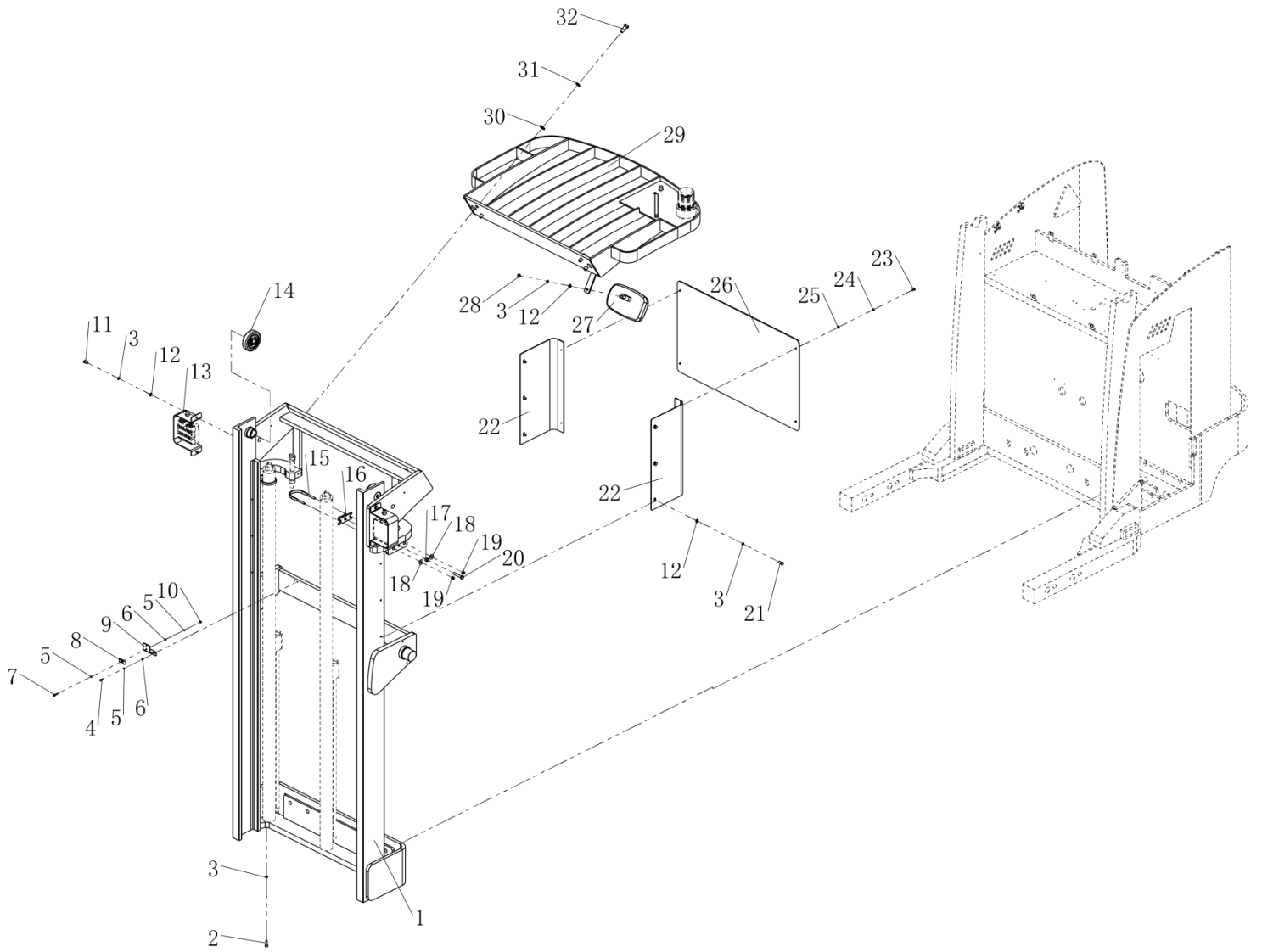
4.1 Door frame system



4.1 Door frame system

No.	Code	Description	Specification	QTY	Remark
1	QGB18X-02.1	Outer mast welding		1	
2	QGB18X-02.2	Middle mast welding		1	
3	QGB18X-02.3	Inner mast welding		1	
4	QGB18X-02.4	Fork Carriage assembly		1	
5	03.0946	Stainless steel tension spring	1*10*100	5	
6	03.04090	Hexagon bolts	M5×12	9	GB/T 5783-2000
7	QGB18X-02.1.10	Splint(2)		1	
8	QGB18X-02.1.9	Splint(1)		1	
9	03.0055	Flat Washer	Φ5	9	GB/T 95-2002
10	03.0007	Spring Washer	Φ5	9	GB/T 93-1987
11	03.0255	Hexagon nut	M5	5	GB/T 6170-2000
12	Q15GC-05.8	Splint(1)		2	
13	Q15GC-05.9	Splint(2)		4	
14	Q20GA-07.8	Sprocket bracket assembly		1	

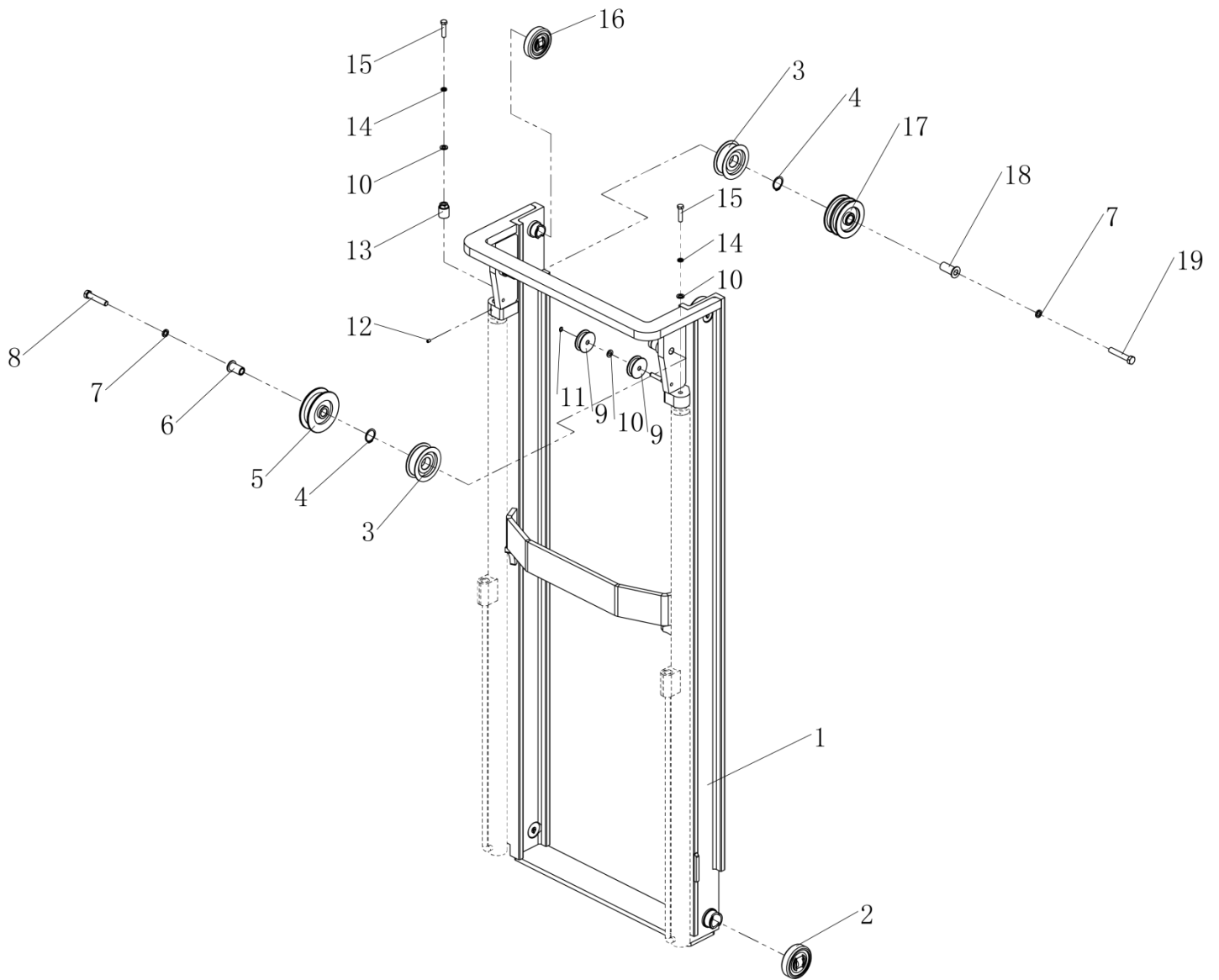
4.1.1 Outer mast assembly



4.1.1 Outer mast assembly

No.	Code	Description	Specification	QTY	Remark
1	QGB18X-02.1.1	Outer mast welding		1	
2	03.0156	Hexagon socket head cap screws	M8×25	2	GB/T 70.1-2000
3	03.0012	Spring Washer	Φ8	13	GB/T 93-1987
4	03.04090	Hexagon bolts	M5×12	4	GB/T 5783-2000
5	03.0007	Spring Washer	Φ5	6	GB/T 93-1987
6	03.0055	Flat Washer	Φ5	5	GB/T 95-2002
7	03.0141	Hexagon socket head cap screws	M5×20	1	GB/T 70.1-2000
8	QGB18X-02.1.9	Splint(1)		1	
9	QGB18X-02.1.11	Tension spring plate		1	
10	03.0255	Hexagon nut	M5	1	GB/T 6170-2000
11	03.0373	Hexagon bolts	M8×16	4	GB/T 5783-2000
12	03.0050	Flat Washer	Φ8	11	GB/T 95-2002
13	QGB18X-02.1.3.1	Headlight cover		2	
14	CBA102.6-1TSG1	Combination roller		2	
15	02.01.3514	U sharp bolt		2	
16	19.0595	Cylinder support block (70-78)	70-78	2	70-78
17	03.0259	Hexagon nut	M10	2	GB/T 6170-2000
18	03.0005	Big washer	Φ8	4	GB/T 96.1-2002
19	03.0244	Hexagon lock nut	M8	4	GB/T 889.1-2000
20	03.0635	Hexagon bolts full thread	M10×55	2	GB/T 5783-2000
21	03.0357	Hexagon bolts	M8×20	6	GB/T 5783-2000
22	QGB18X-02.1.4	protection cover		2	
23	03.0857	Hexagon bolts	M6×12	4	GB/T 5783-2000
24	03.0011	Spring Washer	Φ6	4	GB/T 93-1987
25	03.0049	Flat Washer	Φ6	4	GB/T 97.2-1985
26	QGB18X-02.1.6	protection plate	840*510*4	1	
27	02.01.9177	Rearview mirror	HS200×110	1	
28	03.0258	Hexagon nut	M8	1	GB/T 6170-2000
29	QGB18X-02.1.2.1	Overhead guard welded		1	
30	03.00515	Flat Washer	φ 14	4	GB/T 95-2002
31	03.0016	Spring Washer	φ 14	4	GB/T 93-1987
32	03.0921	Hexagon bolts full thread	(M14)×35	4	GB/T 5783-2000

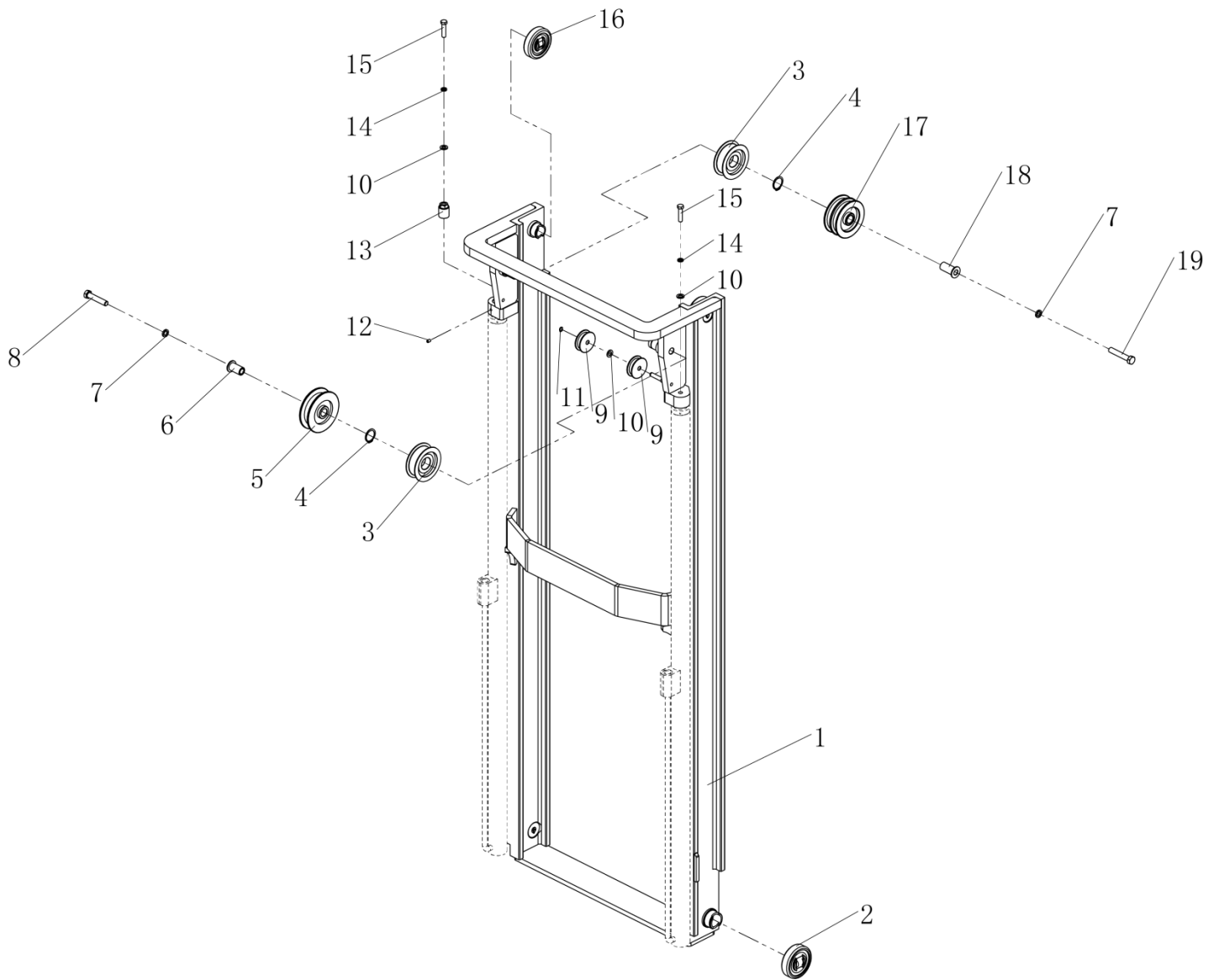
4.1.2 Middle mast assembly



4.1.2 Middle mast assembly

No.	Code	Description	Specification	QTY	Remark
1	QGB18X-02.2.1	Middle mast welding		1	
2	02.01.91720	Combination roller(Q20GA)	CBA109.5-JL	2	
3	30.01.2980	Door frame sprocket	CG40A1-20	2	
4	03.0070	Circlip for shaft	40	2	GB 894.1-86
5	Q15GB-04.2.4	Tubing sprocket (3)		1	
6	Q15GB-04.2.5	Shaft sleeve (3)		1	
7	03.0017	Spring Washer	Φ 16	2	GB/T 93-1987
8	03.0390	Hexagon bolts full thread	M16×80	1	GB/T 5783-2000
9	QGB18X-02.2.2	Cable pulley		2	
10	03.0044	Flat Washer	Φ 12	3	GB/T 95-2002
11	03.0059	Circlip for shaft	12	1	GB 894.1-86
12	03.0278	Hexagon socket set screws with flat end	M8×12	1	GB/T 77-2000
13	Q15GC-02.2.2	Oil cylinder adjustment bolt		1	
14	03.0015	Spring Washer	Φ 12	2	GB/T 93-1987
15	03.0387	Hexagon bolts full thread	M12×50	2	GB/T 5783-2000
16	02.01.30743	Combination roller	CBA102.8-1TSG1	2	
17	Q15GB-02.2.2	Tubing sprocket		1	
18	Q15GB-02.2.3	Shaft sleeve		1	
19	03.0391	Hexagon bolts full thread	M16×90	1	GB/T 5783-2000

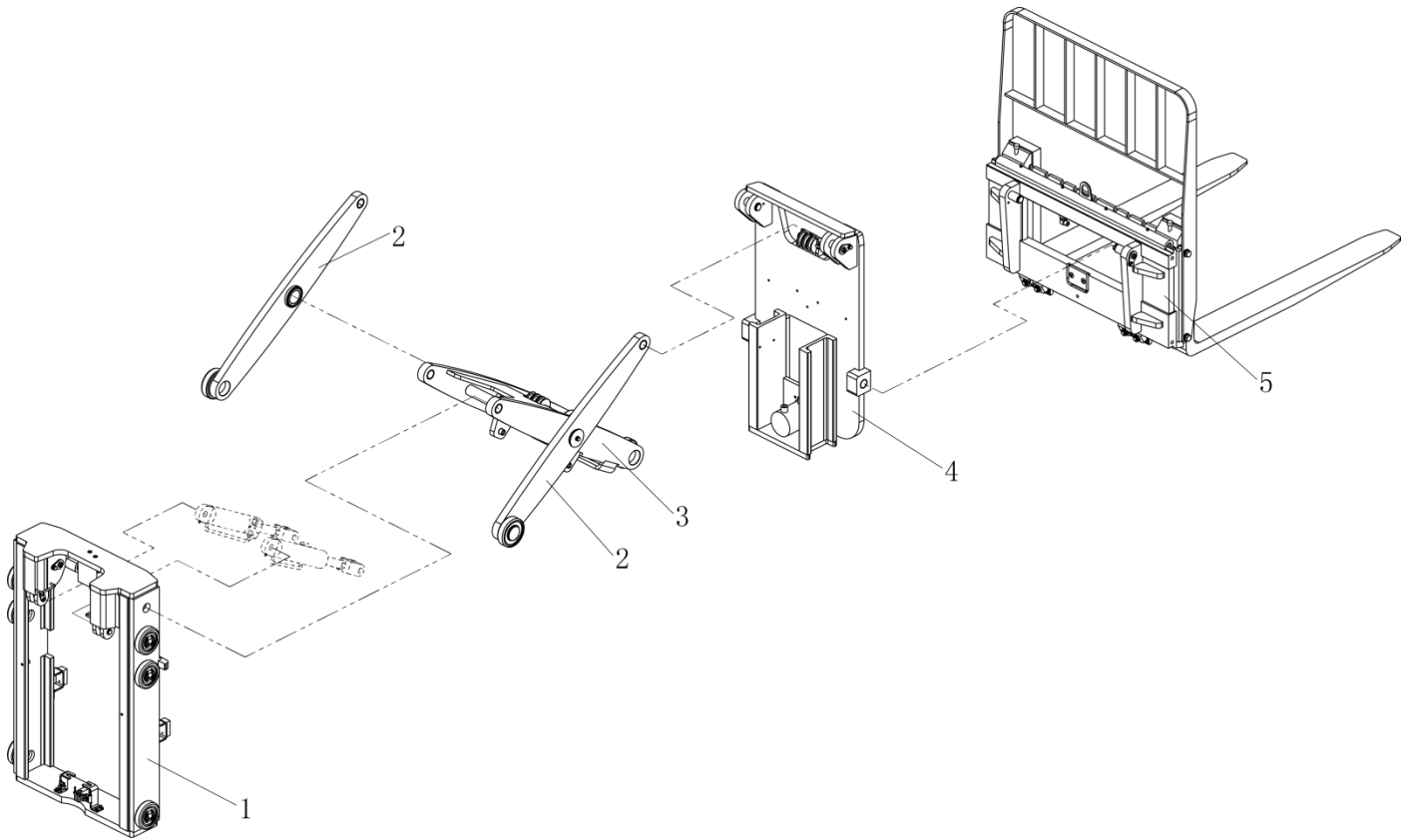
4.1.3 Inner mast assembly



4.1.3 Inner mast assembly

No.	Code	Description	Specification	QTY	Remark
1	QGB18X-02.3.1	Inner mast welding		1	
2	Q15GC-05.8	Splint(1)		2	
3	03.0055	Flat Washer	Φ5	7	GB/T 95-2002
4	03.0007	Spring Washer	Φ5	9	GB/T 93-1987
5	03.04090	Hexagon bolts	M5×12	4	GB/T 5783-2000
6	03.0141	Hexagon socket head cap screws	M5×20	1	GB/T 70.1-2000
7	QGB18X-02.1.9	Splint(1)		1	
8	03.0255	Hexagon nut	M5	1	GB/T 6170-2000
9	03.0133	Hexagon socket head cap screws	M5×16	3	GB/T 70.1-2000
10	QGB18X-02.3.3	Cable bracket		1	
11	02.01.30743	Combination roller	CBA102.8-1TSG1	2	
12	03.0158	Hexagon socket head cap screws	M8×35	1	GB/T 70.1-2000
13	03.0012	Spring Washer	Φ8	5	GB/T 93-1987
14	03.0050	Flat Washer	Φ8	5	GB/T 95-2002
15	03.0375	Hexagon bolts full thread	M8×25	4	GB/T 5783-2000
16	QGB18X-02.3.2	Fixed bracket		1	
17	Q15GC-02.3.3.3	Pipe clamp		1	
18	QGB18X-02.3.4	Cylinder hoop		1	
19	03.0163	Hexagon socket head cap screws	M10×20	2	GB/T 70.1-2000
20	03.0014	Spring Washer	Φ10	2	GB/T 93-1987

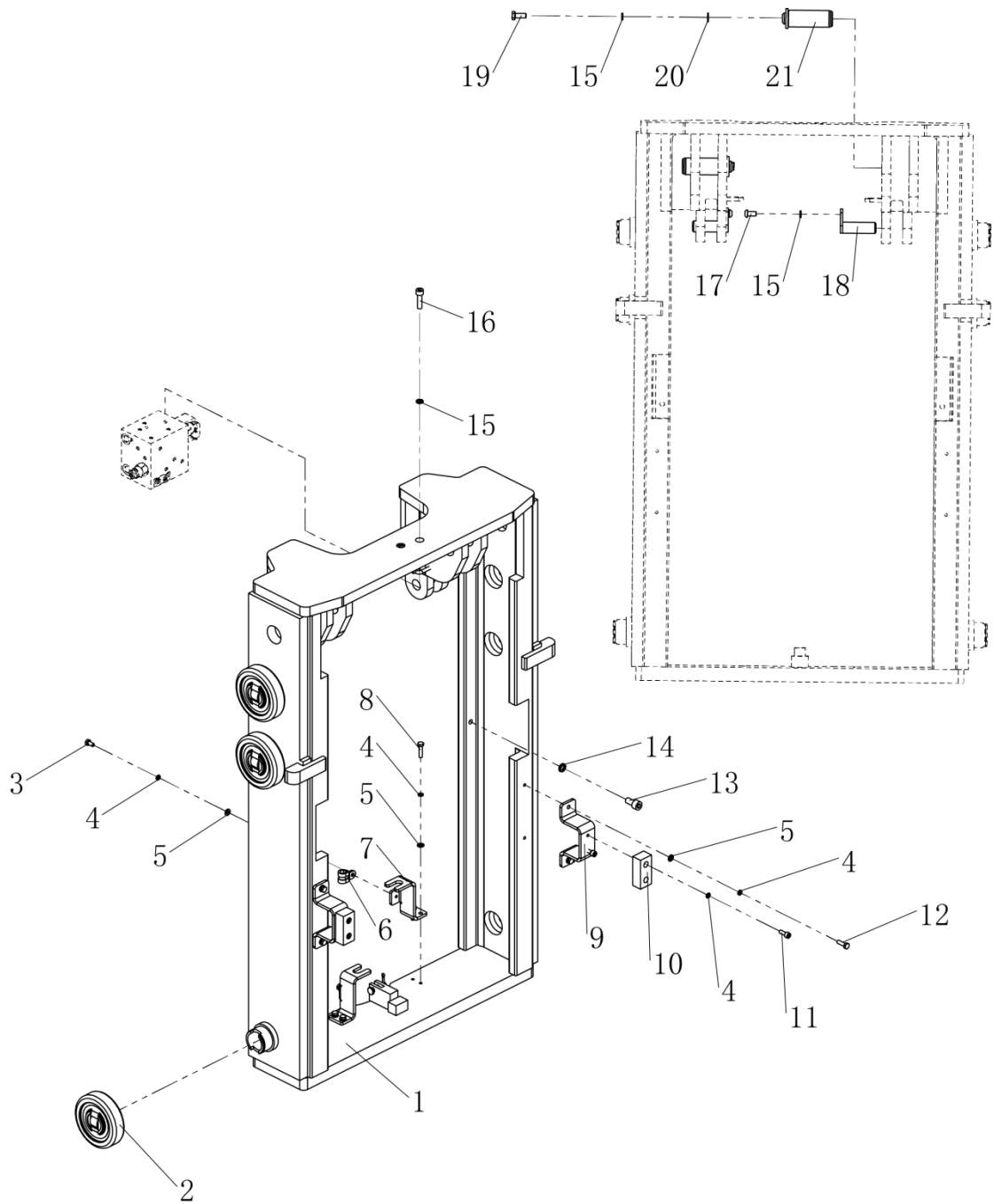
4.1.4 Fork Carriage assembly



4.1.4 Fork Carriage assembly

No.	Code	Description	Specification	QTY	Remark
1	QGB18X-02.4.1	Rear bracket assembly		1	
2	QGB18X-02.4.4	Outer fork plate assembly		2	
3	QGB18X-02.4.3	Inner fork plate assembly		1	
4	QGB18X-02.4.2	Front bracket assembly		1	
5	QGB18X-02.4.5	Fork carriage assembly		1	

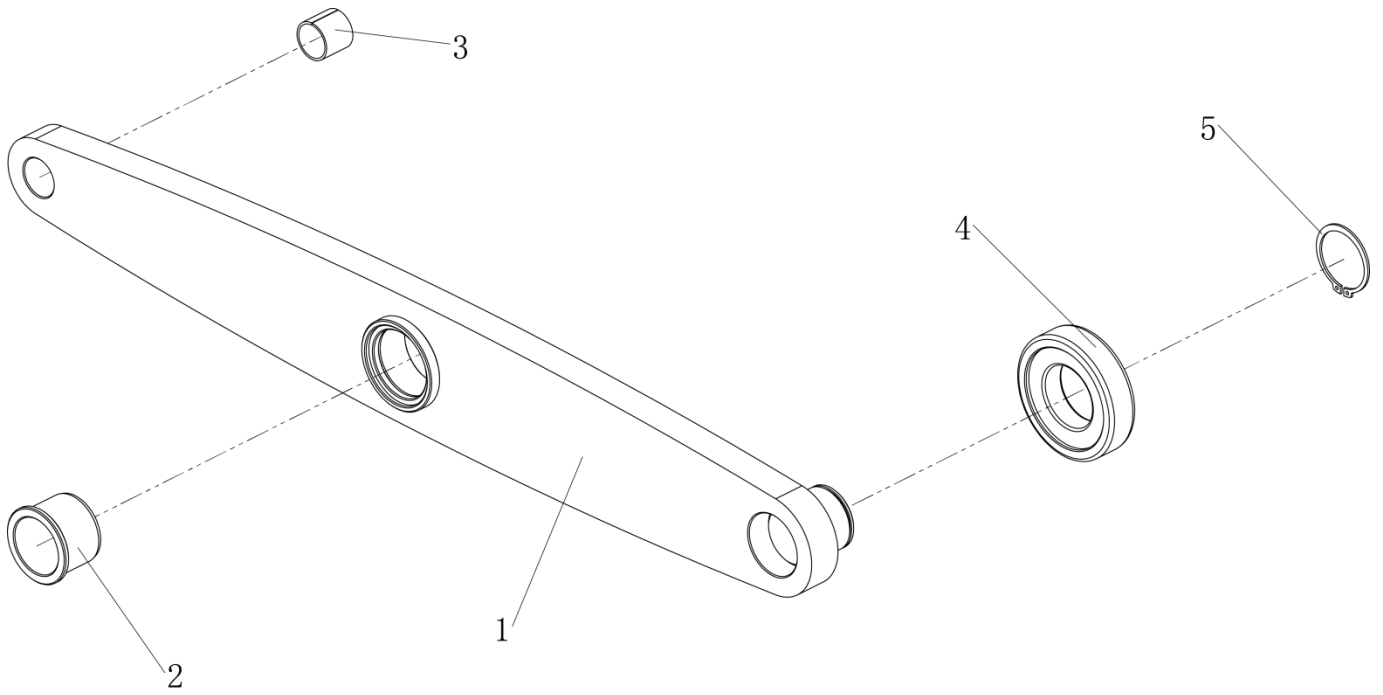
4.1.4.1 Rear bracket assembly



4.1.4.1Rear bracket assembly

No.	Code	Description	Specification	QTY	Remark
1	QGB18X-02.4.1.1	Rear bracket welding		1	
2	02.01.30743	Combination roller	CBA102.8-1TSG1	6	
3	03.0857	Hexagon bolts	M6×12	2	GB/T 5783-2000
4	03.0011	Spring Washer	Φ6	14	GB/T 93-1987
5	03.0049	Flat Washer	Φ6	10	GB/T 97.2-1985
6	03.04615	R sharp hoop	φ10	2	
7	QGB18X-02.4.1.4	Steel Pipe Fixed bracket left		1	
8	03.0376	Hexagon bolts full thread	M6×25	4	GB/T 5783-2000
9	QGB18X-02.4.1.3	Mounting bracket		2	
10	QGB15E-01.13	Shock pad		2	
11	03.0147	Hexagon socket head cap screws	M6×16	4	GB/T 70.1-2000
12	03.0410	Hexagon bolts	M6×20	4	GB/T 5783-2000
13	03.0163	Hexagon socket head cap screws	M10×20	2	GB/T 70.1-2000
14	03.0014	Spring Washer	Φ10	2	GB/T 93-1987
15	03.0012	Spring Washer	Φ8	6	GB/T 93-1987
16	03.0157	Hexagon socket head cap screws	M8×30	2	GB/T 70.1-2000
17	03.0153	Hexagon socket flat head screws	M8×16	2	GB/T 70.2-2000
18	SL30GB-02.6	Arm frame short axis welding		2	
19	03.0357	Hexagon bolts	M8×20	2	GB/T 5783-2000
20	03.0050	Flat Washer	Φ8	2	GB/T 95-2002
21	QGB18X-02.4.5.3	Hinge shaft welding		2	

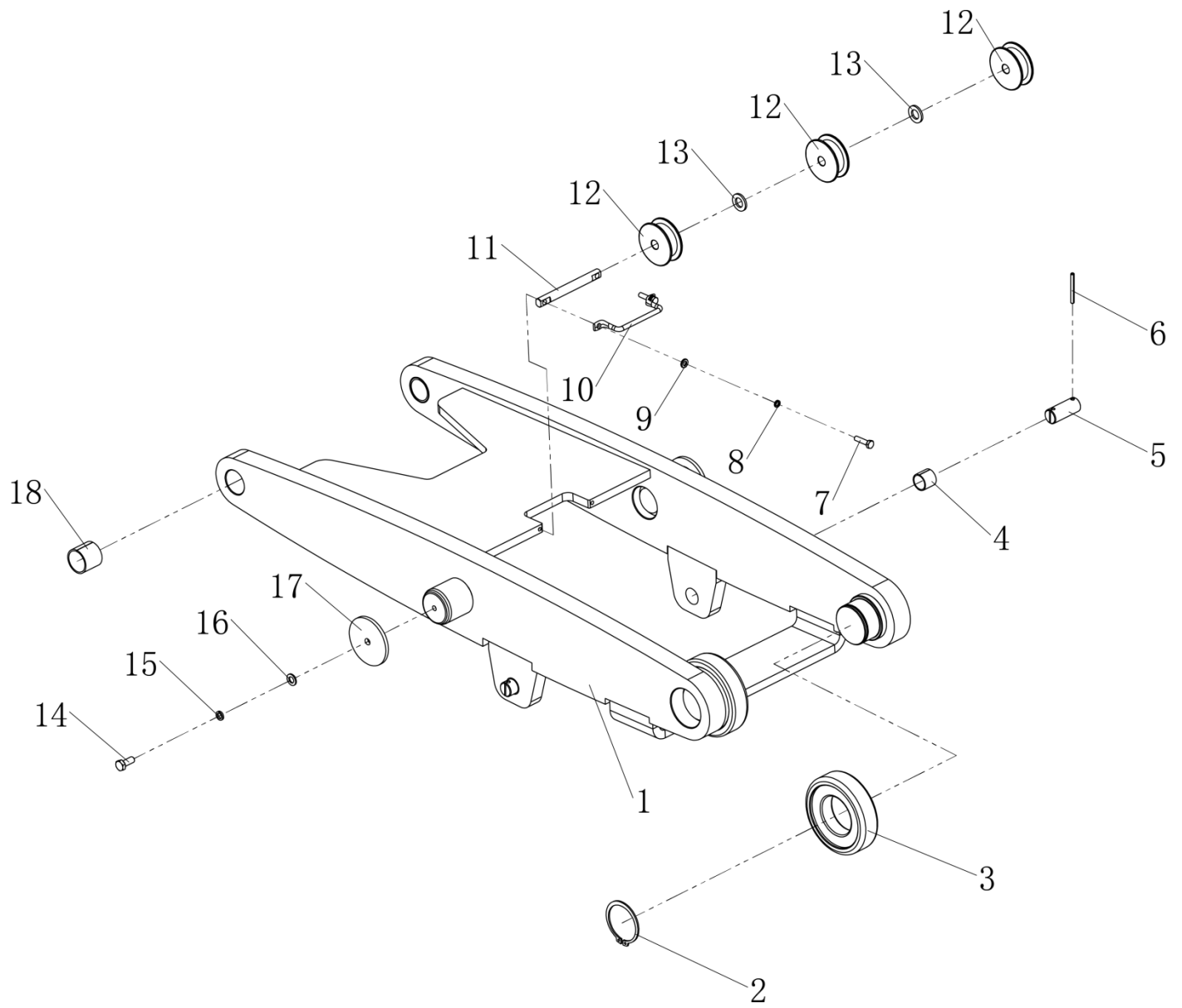
4.1.4.2 Outer fork plate assembly



4.1.4.2 Outer fork plate assembly

No.	Code	Description	Specification	QTY	Remark
1	QGB18X-02.4.4.1	Outer fork plate welding		1	
2	Q15GC-02.3.3.2	Bushing	$\Phi 67^* \Phi 60^* \Phi 50^* 45$	1	
3	03.0444	Composite sleeve	$\Phi 34 \times \Phi 30 \times 30$	1	
4	02.01.9172	Main roller	CBA109.5	1	
5	03.0679	Circlip for shaft	55	1	GB 894.1-86

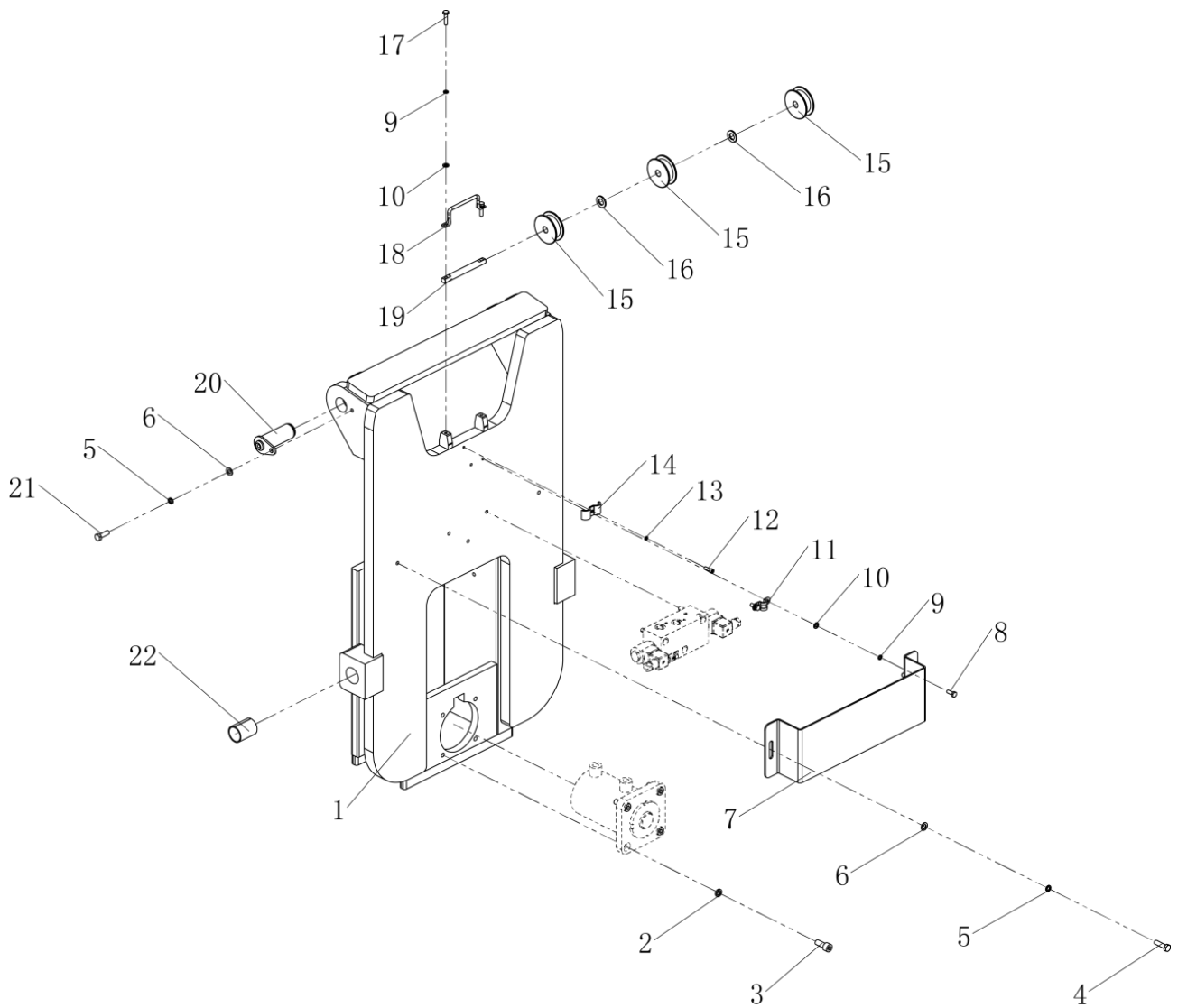
4.1.4.3 Inner fork frame assembly



4.1.4.3 Inner fork frame assembly

No.	Code	Description	Specification	QTY	Remark
1	QGB18X-02.4.3.1	Inner fork frame welding		1	
2	03.0679	Circlip for shaft	55	2	GB 894.1-86
3	02.01.9172	Main roller	CBA109.5	2	
4	03.0450	Composite sleeve	$\Phi 23 \times \Phi 20 \times 20$	2	
5	QGB18X-02.4.3.2	Reach pin roll		2	
6	03.0311	Elastic cylindrical pin	4×45	2	GB/T 879.2-2000
7	03.0376	Hexagon bolts full thread	M6 \times 25	2	GB/T 5783-2000
8	03.0011	Spring Washer	$\Phi 6$	2	GB/T 93-1987
9	03.0049	Flat Washer	$\Phi 6$	2	GB/T 97.2-1985
10	QGB18X-02.4.2.5	Retaining ring		1	
11	QGB18X-02.4.2.3.1	Pulley shaft		1	
12	Q15GC-02.3.1.5	Tubing sprocket		3	
13	03.0044	Flat Washer	$\Phi 12$	2	GB/T 95-2002
14	03.0357	Hexagon bolts	M8 \times 20	2	GB/T 5783-2000
15	03.0012	Spring Washer	$\Phi 8$	2	GB/T 93-1987
16	03.0050	Flat Washer	$\Phi 8$	2	GB/T 95-2002
17	Q15GC-02.3.4.2	Stop dog		2	
18	03.0444	Composite sleeve	$\Phi 34 \times \Phi 30 \times 30$	2	

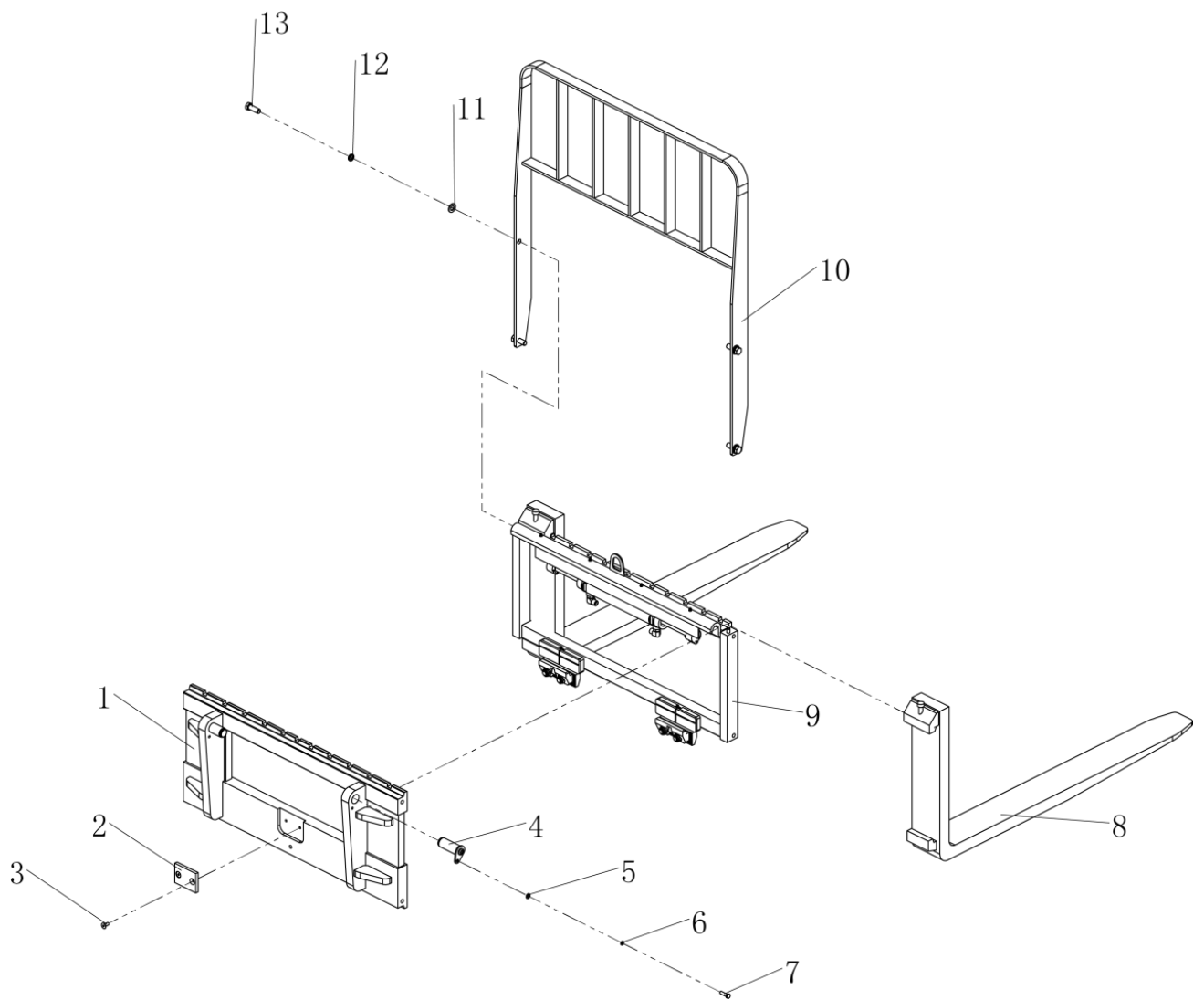
4.1.4.4 Front bracket assembly



4.1.4.4 Front bracket assembly

No.	Code	Description	Specification	QTY	Remark
1	QGB18X-02.4.2.1	Front bracket welding		1	
2	03.0014	Spring Washer	Φ 10	4	GB/T 93-1987
3	03.0165	Hexagon socket head cap screws	M10×25	4	GB/T 70.1-2000
4	03.0379	Hexagon bolts	M8×30	2	GB/T 5783-2000
5	03.0012	Spring Washer	Φ 8	4	GB/T 93-1987
6	03.0050	Flat Washer	Φ 8	4	GB/T 95-2002
7	QGB18X-02.4.2.4	Valve block cover		1	
8	03.0411	Hexagon bolts	M6×16	2	GB/T 5783-2000
9	03.0011	Spring Washer	Φ 6	4	GB/T 93-1987
10	03.0049	Flat Washer	Φ 6	4	GB/T 97.2-1985
11	03.04611	Riding hoop	Φ 10	1	
12	03.0133	Hexagon socket head cap screws	M5×16	1	GB/T 70.1-2000
13	03.0007	Spring Washer	Φ 5	1	GB/T 93-1987
14	Q15GC-02.3.3.3	Pipe clamp		1	
15	Q15GC-02.3.1.5	Tubing sprocket		3	
16	03.0044	Flat Washer	Φ 12	2	GB/T 95-2002
17	03.0376	Hexagon bolts full thread	M6×25	2	GB/T 5783-2000
18	QGB18X-02.4.2.5	Retaining ring		1	
19	QGB18X-02.4.2.3.1	Pulley shaft		1	
20	QGB18X-02.4.5.3	Hinge shaft welding		2	
21	03.0375	Hexagon bolts full thread	M8×25	2	GB/T 5783-2000
22	03.04513	Composite sleeve	Φ 34× Φ 30× 45	2	

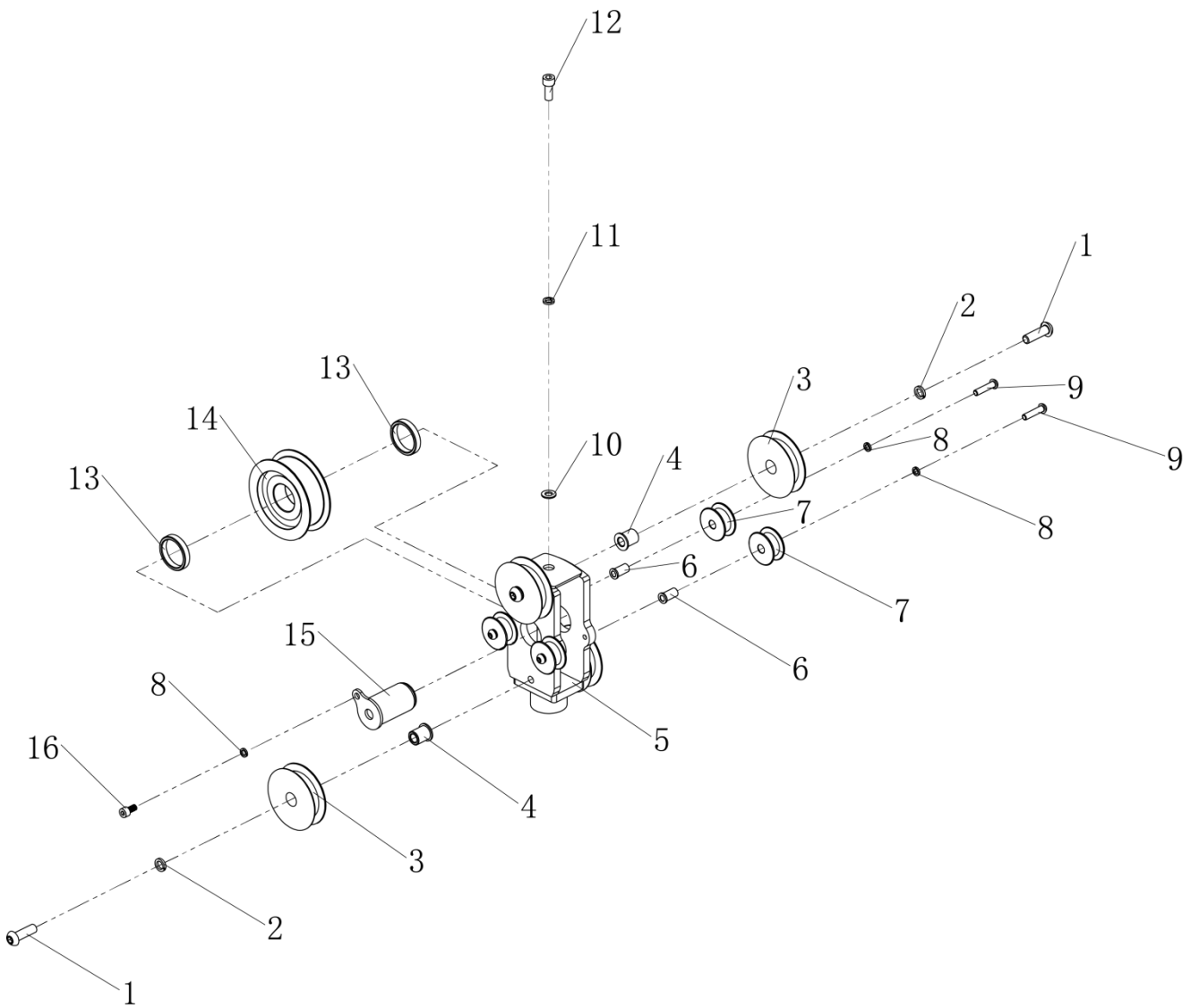
4.1.4.5 Fork carriage assembly



4.1.4.5 Fork carriage assembly

No.	Code	Description	Specification	QTY	Remark
1	QGB18X-02.4.5.1	Fork carriage welding		1	
2	Q15GB-02.3.9	Sliding block		1	
3	03.0092	Hexagon socket countersunk head screws	M8×20	2	GB/T 70.3-2000
4	QGB18X-02.4.5.3	Hinge shaft welding		2	
5	03.0050	Flat Washer	Φ8	2	GB/T 95-2002
6	03.0012	Spring Washer	Φ8	2	GB/T 93-1987
7	03.0379	Hexagon bolts	M8×30	2	GB/T 5783-2000
8	Q20GA-02.3.4	Fork (2-2.5T)	1070	2	
9	02.01.2303	LC15NL Side shifter		1	LC15NL
10	QGB18X-02.4.5.2	Guardrail welding		1	
11	03.00515	Flat Washer	φ 14	4	GB/T 95-2002
12	03.0016	Spring Washer	φ 14	4	GB/T 93-1987
13	03.0548	Hexagon bolts	(M14)×40	4	GB/T 5783-2000

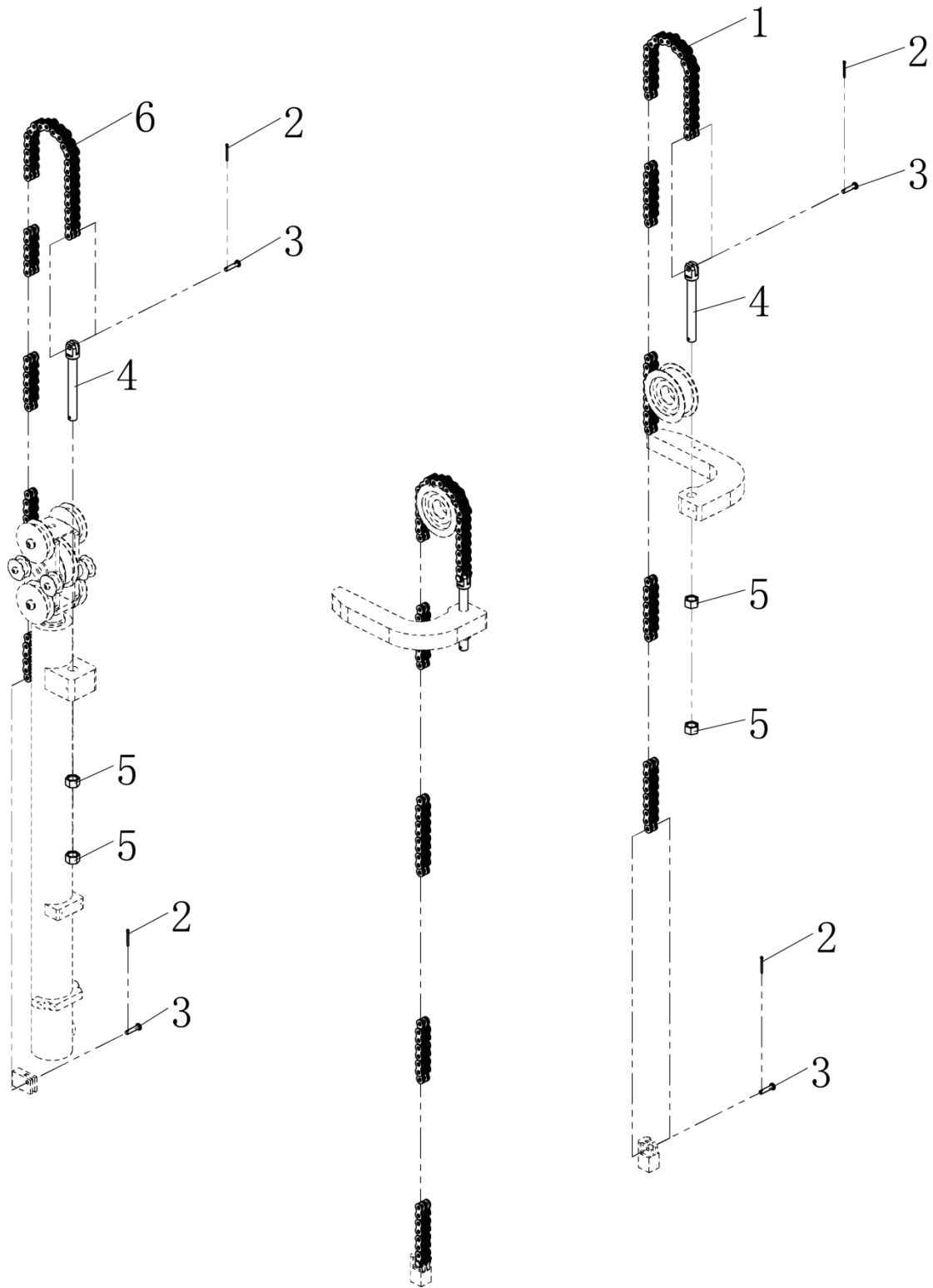
4.1.5 Sprocket bracket assembly



4.1.5 Sprocket bracket assembly

No.	Code	Description	Specification	QTY	Remark
1	03.0173	Hexagon socket head cap screws	M12×40	4	GB/T 70.1-2000
2	03.0015	Spring Washer	Φ12	4	GB/T 93-1987
3	CL1032C.02-10	pulley		4	
4	Q20GA-07.8.4	Spacer		4	
5	Q20GA-07.8.1	Sprocket bracket welding		1	
6	Q20GA-07.8.5	Small Spacer		4	
7	Q20GA-07.8.3	Small pulley		4	
8	03.0012	Spring Washer	Φ8	5	GB/T 93-1987
9	03.01102	Hexagon socket flat head screws	M8×35	4	GB/T 70.2-2000
10	03.0043	Flat Washer	Φ10	1	GB/T 97.2-1985
11	03.0014	Spring Washer	Φ10	1	GB/T 93-1987
12	03.0165	Hexagon socket head cap screws	M10×25	1	GB/T 70.1-2000
13	Q20GA-07.8.6	Ring gasket		2	
14	30.01.2980	Door frame sprocket	CG40A1-20	1	
15	Q20GA-07.8.2	Sprocket shaft welded		1	
16	03.0153	Hexagon socket head cap screws	M8×16	1	GB/T 70.1-2000

4.2 Chain assembly



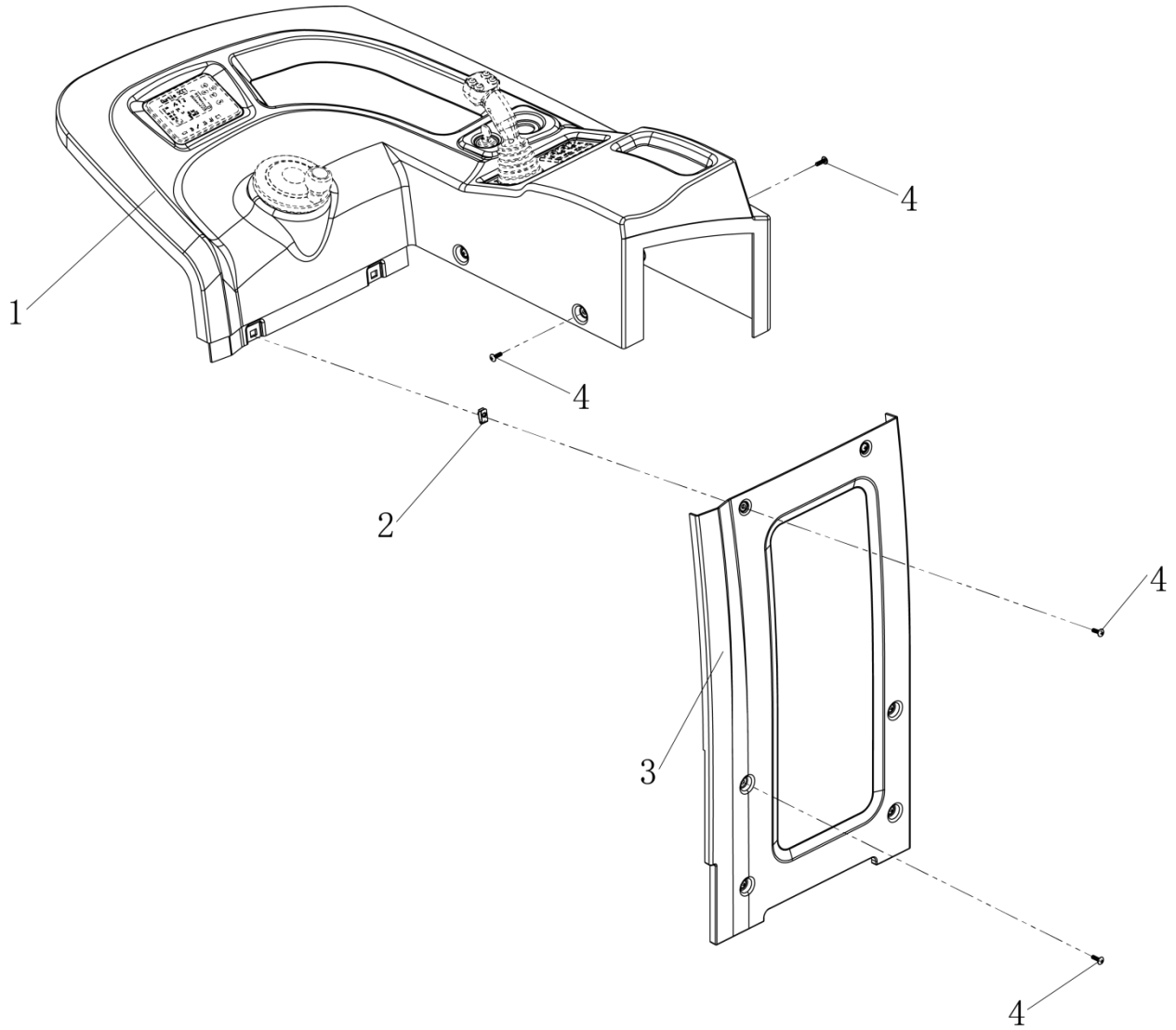
4.2Chain assembly

No.	Code	Description	Specification	QTY	Remark
1	LH1244(BL644)	Leaf chain A		2	
2	03.03300	Cottor pin	3.0×30	6	GB/T 91-2000
3	Q25GA-05.2.4	pull rod pin roll		6	
4	Q25GA-05.1.3	Chain pull rod		3	
5	03.0261	Hexagon nut	M18	6	GB/T 6170-2000
6	LH1244(BL644)	Leaf chain B		1	

Lifting height	Chain Specification	Chain Model	QTY
5000	112 Piece	LH1244	2
	87Piece	LH1244	1

5. Cover system

5.1 Cover assembly



5.1Cover assembly

No.	Code	Description	Specification	QTY	Remark
1	QGB18X-03.1B	Upper cover		1	
2	03.0587	Spring clip nut	M6	2	
3	QGB18X-03.2	Side cover		1	
4	03.02393	Large flat head cross screw	M6×16	10	GB 973-1976

Note: the manufacturer reserves the right of interpretation.

If have change not notice additionally!!