

# Part List

## EG30 Tow Tractor



## **1.BODYWORK SYSTEM**

1.1FRAME ASSEMBLY .....	1
1.2TRACTOR PLUG ASSEMBLY.....	3
1.3EXTERNAL COVER ASSEMBLY .....	5
1.4BATTERY CARRIAGE .....	7

## **2.DRIVING SYSTEM**

2.1DRIVING SYSTEM.....	9
------------------------	---

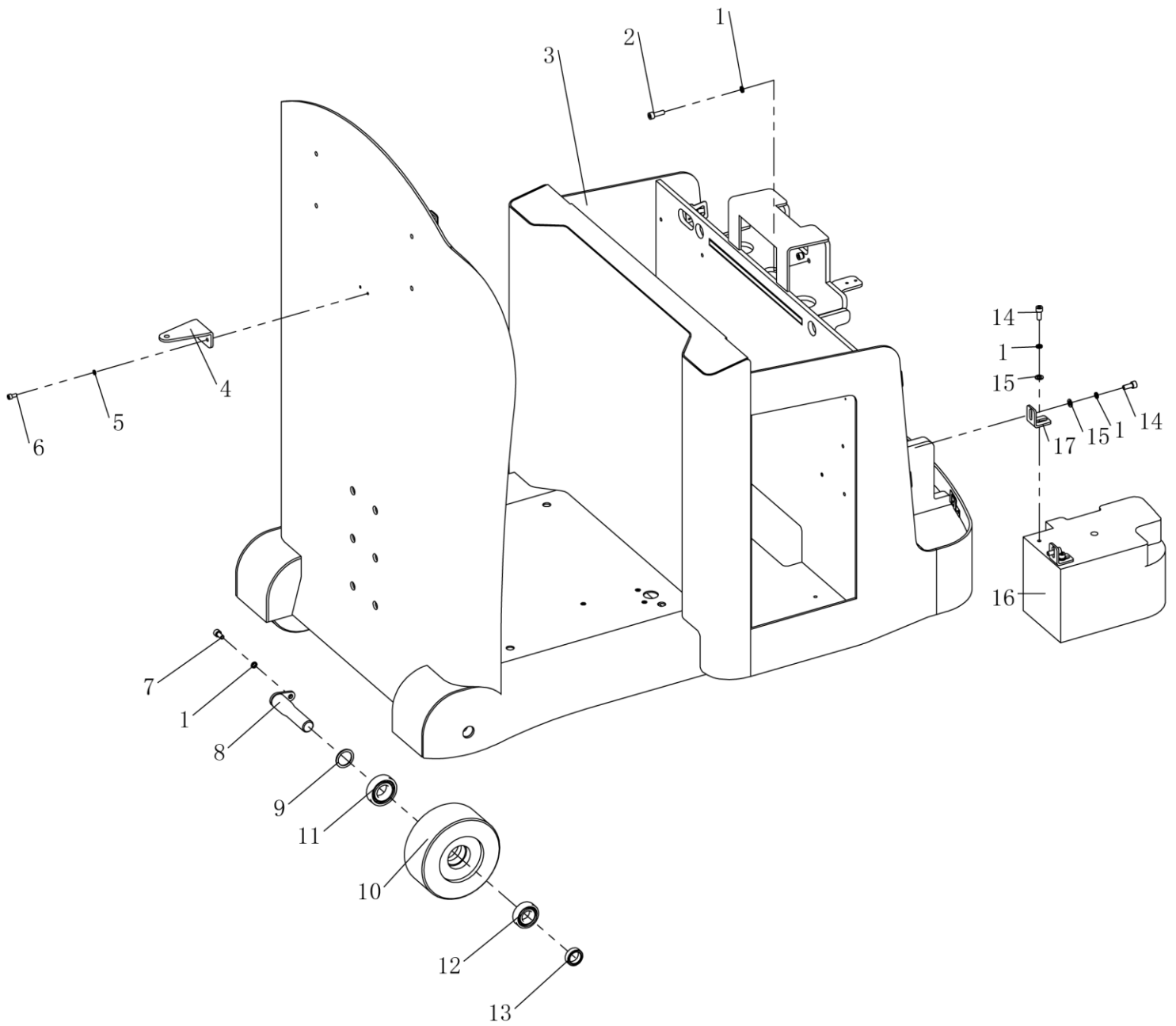
## **3.Operating system**

3.1 HANDLEBAR ASSEMBLY .....	11
------------------------------	----

## **4.Electrical system**

4.1ELECTRICAL ASSEMBLY.....	13
4.2 DK1232-02ELECTRICAL CONTROL COMPONENTS.....	15

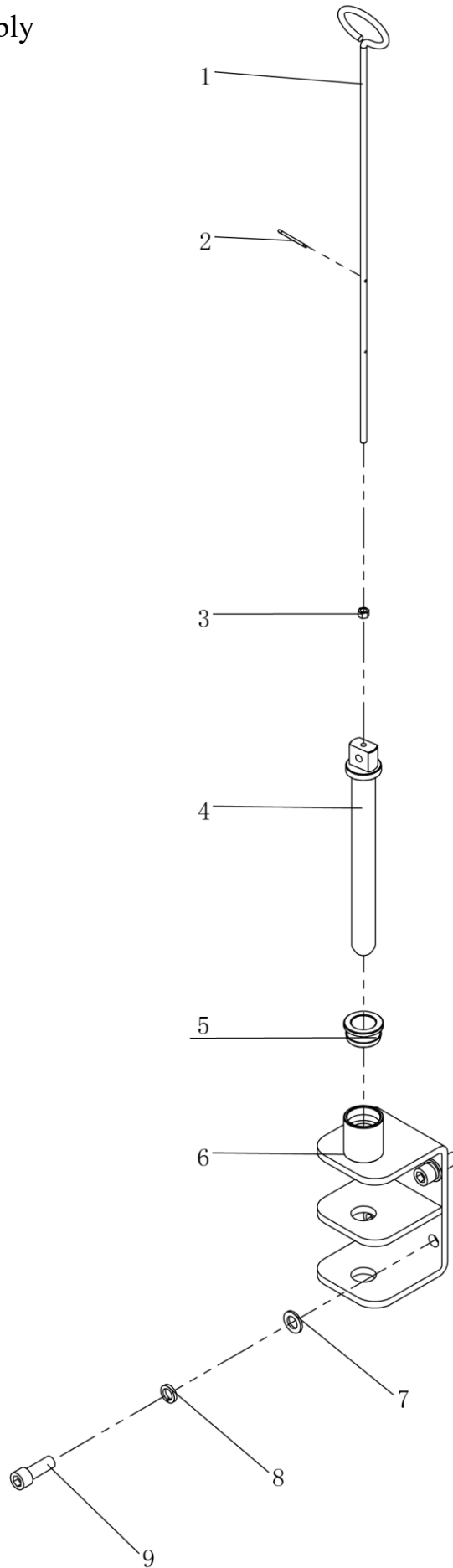
# 1.1 Frame Assembly



## 1.1Frame Assembly

No	Code	Description	Specification	Quantity	Remark
1	GB/T 93-1987	Spring washer	Φ8	14	
2	GB/T 70.1-2000	Hexagon socket head cap screws	M8×25	4	
3	EG30-01.1	Frame assembly		1	
4	EG30-01.10	Fixed Plate		1	
5	GB/T 93-1987	Spring washer	Φ6	2	
6	GB/T 70.1-2000	Hexagon socket head cap screws	M6×12	2	
7	GB/T 70.1-2000	Hexagon socket head cap screws	M8×16	2	
8	EG30-01.3	Front Axle Welding		2	
9	EG30-01.6	washer2		2	
10	EG30-01.8	Front wheel		2	
11	GB/T 276-94	Deep groove ball bearing	6206	2	
12	GB/T 276-94	Deep groove ball bearing	6205	2	
13	EG30-01.5	Washer		2	
14	GB/T 70.1-2000	Hexagon socket head cap screws	M8×20	8	
15	GB/T 95-2002	Flat Washer	Φ8	8	
16	EG30-01.12	Side Weight		2	
17	EG30-01.14	Side weight fixed plate		4	

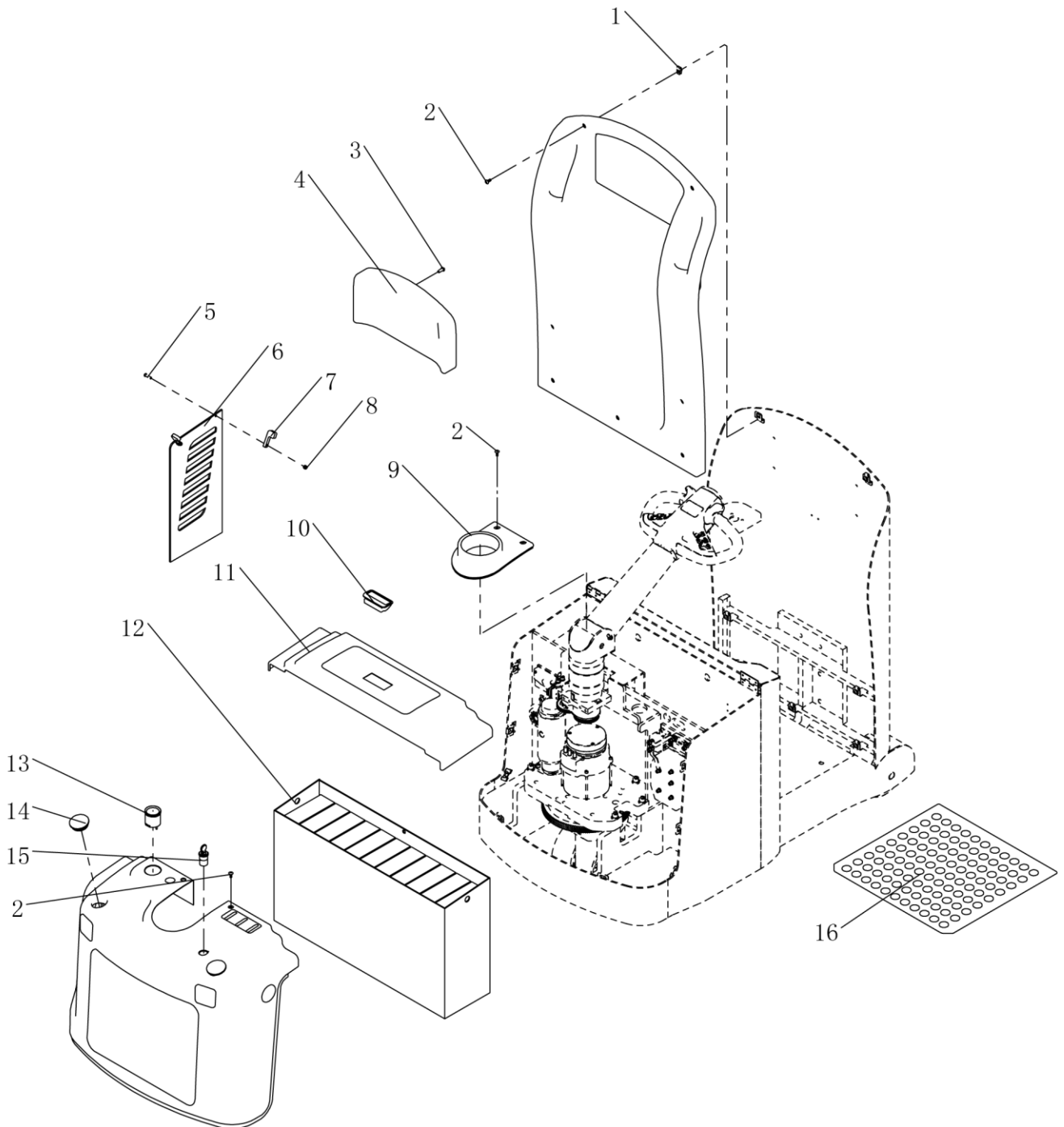
## 1.2 Traction plug assembly



## 1.2 Traction plug assembly

No	Code	Description	Specification	Quantity	Remark
1	EG30-01.2.3	Hand lever		1	
2	GB/T 91-2000	Split pin	Φ3×40	1	
3	GB/T 41-2000	Hexagon nut	M8	1	
4	EG30-01.2.2	Traction pin		1	
5	EG30-01.2.4	Polyurethane sleeve		1	
6	EG30-01.2.1	Traction seat		1	
7	GB/T 95-2002	Flat Washer	Φ16	4	
8	GB/T 93-1987	Spring washer	Φ16	4	
9	GB/T 70.1-2000	Hexagon socket head cap screws	M16×45	4	

### 1.3 External cover assembly

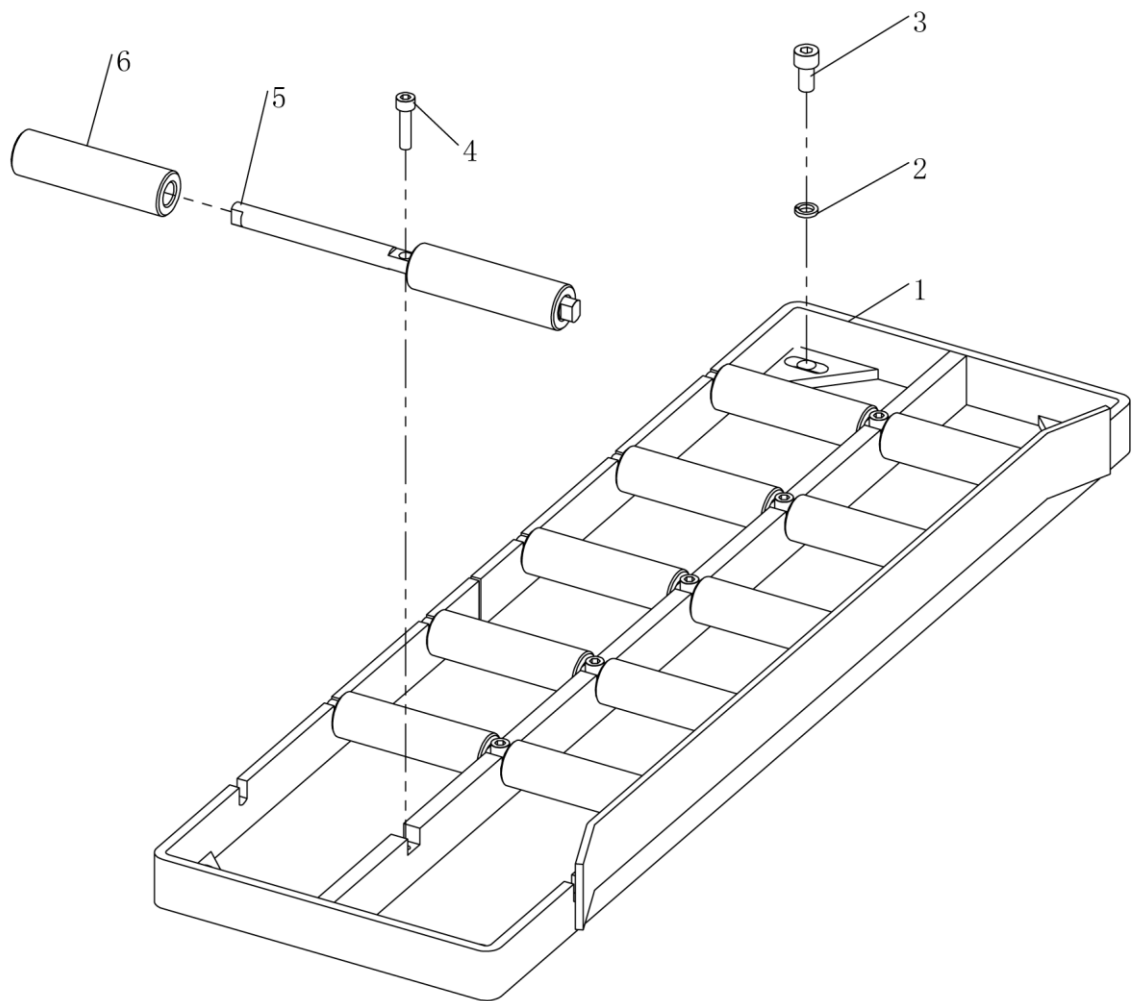


### 1.3 External cover assembly

No	Code	Description	Specification	Quantity	Remark
1		Spring clip net	M6	8	
2	GB 973-1976	Large flat head cross screw	M6×16	12	黑色
3	GB/T 70.2-2000	Hexagon round head screws	M8×20	4	
4	EG30-01.7	Rear Cowl		1	
5	GB/T 70.2-2000	Hexagon round head screws	M6×25	2	
6	E10GL-01.3.1	Side sliding door		1	
7	E10GL-01.31	Battery baffle		2	
8	GB/T 889.1-2000	Hexagon lock nut	M6	2	
9	E10GL-05.7	Rubber sleeve		1	
10	TY-02.8	Embedded handle		1	
11	E10GL-05.4	The cover for battery		1	
12	E10GL-05.6	Battery Component		1	
13	DC24V	Coulombmeter		1	
14	TY-02.61	Rubber plug	Φ56.3	2	
15	XF125	Electric lock		1	
16	E10GL-01.7.3	Pedal		1	



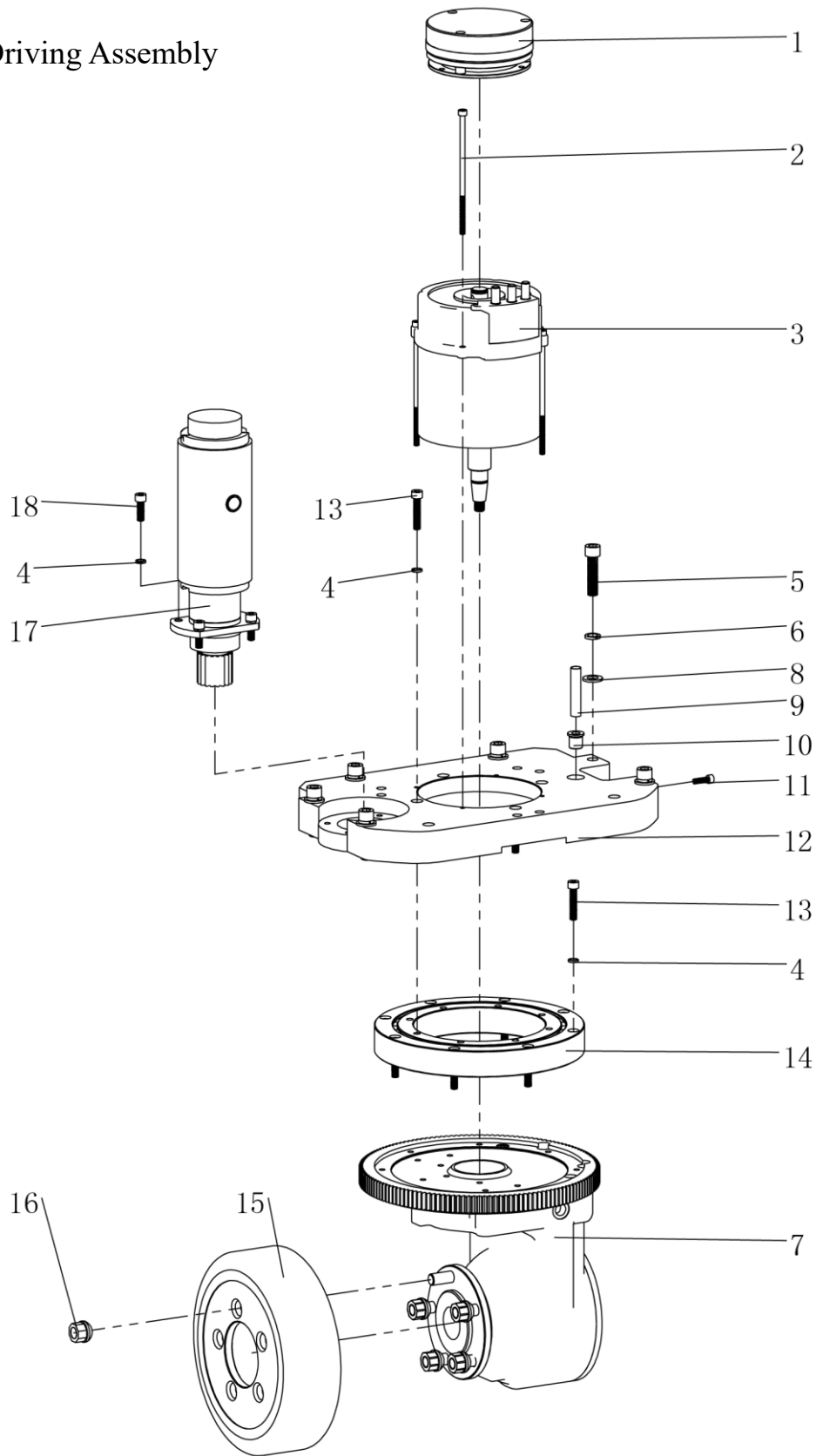
## 1.4 Battery Carriage



### 1.4 Battery Carriage

No	Code	Description	Specification	Quantity	Remark
1	E10GL-01.5.1	Pulley frame welded		1	
2	GB/T 93-1987	Spring washer	Φ8	4	
3	GB/T 70.1-2000	Hexagon socket head cap screws	M8×16	4	
4	GB/T 70.1-2000	Hexagon socket head cap screws	M6×25	6	
5	E10GL-01.5.2	Eel shaft		6	
6	E10GL-01.5.3	Roller		12	

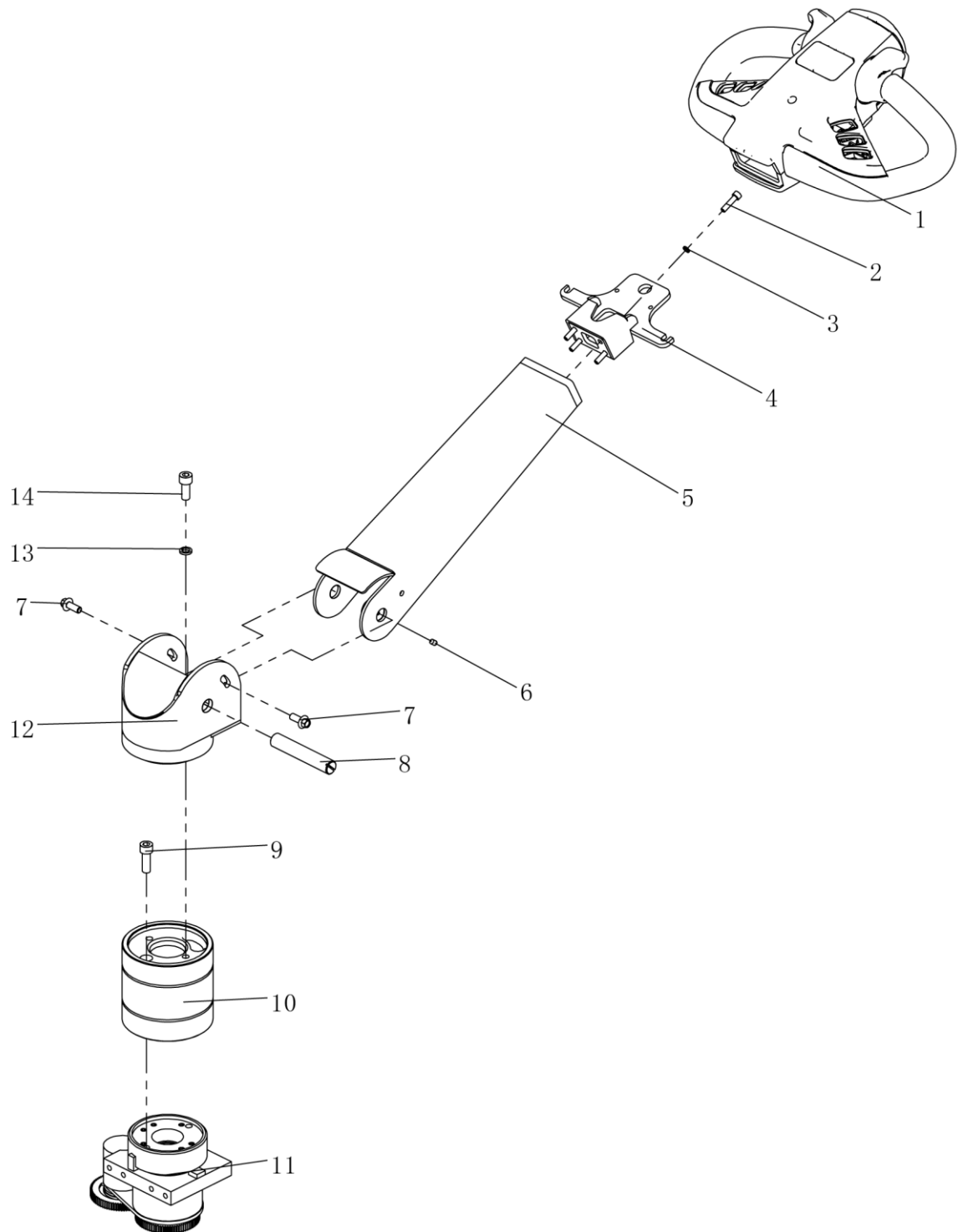
## 2.1 Driving Assembly



## 2.1 Driving Assembly

No	Code	Description	Specification	Quantity	Remark
1	SL20GA-01.6.3	Electromagnetic brake magnetic sensor assembly.		1	
2	GB/T 70.1-2000	Hexagon socket head cap screws	M6×150	4	
3	SL20GA-01.6.7	AC Motor		1	
4	GB/T 93-1987	Spring washer	Φ8	16	
5	GB/T 70.1-2000	Hexagon socket head cap screws	M12×50	6	
6	GB/T 93-1987	Spring washer	Φ12	6	
7	ZD-ZV21-500-001	reduction gearbox		1	
8	GB/T 95-2002	Flat washer	Φ12	6	
9	TY-01.40	Proximity switch	PM12-04N	1	
10	SL20GA-01.6.6	Mounting sleeve		1	
11	GB/T 70.1-2000	Hexagon socket head cap screws	M6×20	1	
12	E10GL-01.9.1	Drive backplane (1)		1	
13	GB/T 70.1-2000	Hexagon socket head cap screws	M8×40	12	
14	SL20GA-01.6.4	Large slewing bearing		1	
15	ZD-ZV21-BJL-001	Driving wheel	Φ248	1	
16		Big wheel nut		5	
17	TY-01.8	Steering motor		1	
18	GB/T 70.1-2000	Hexagon socket head cap screws	M8×25	4	

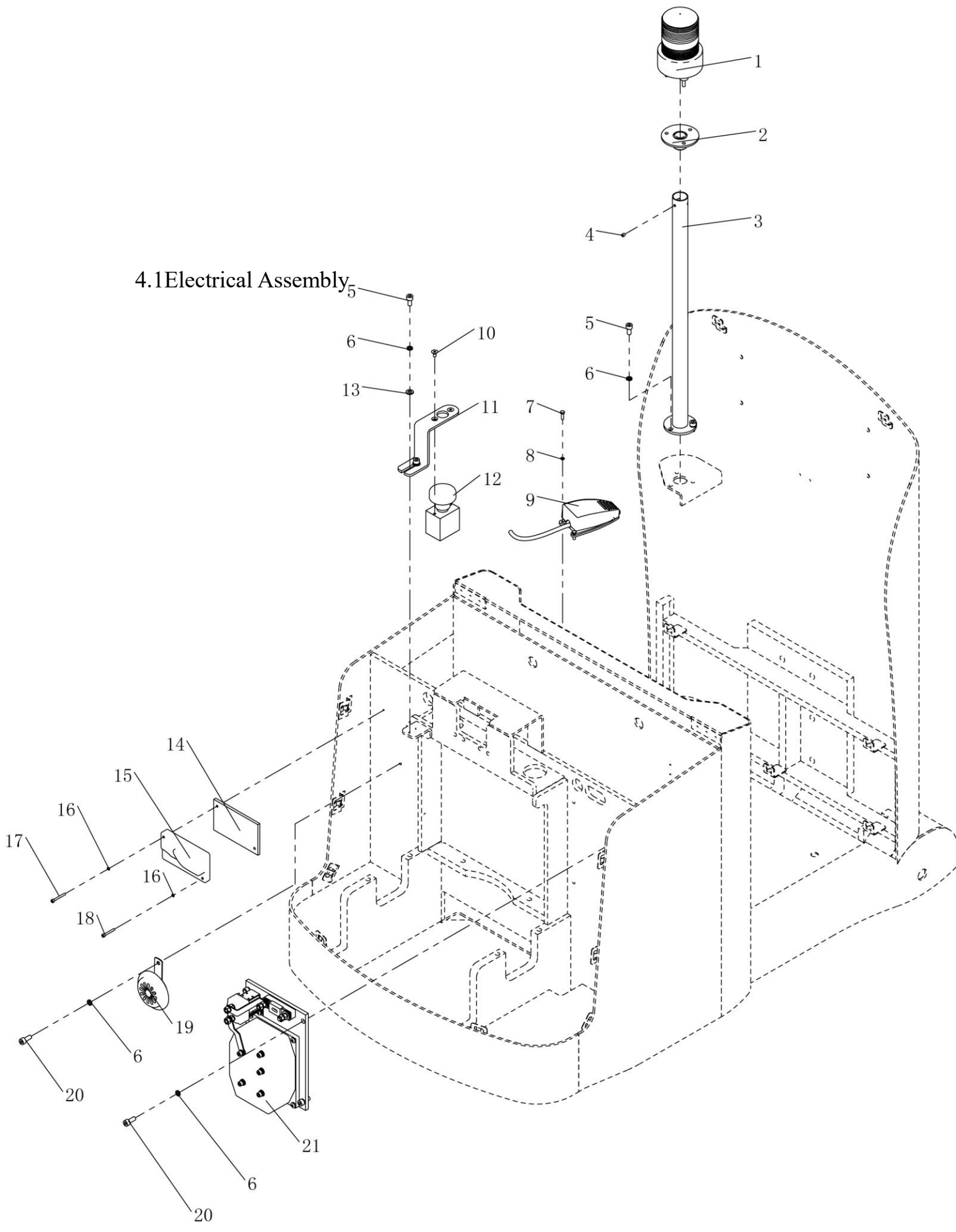
### 3.1 Handle assembly



### 3.1 Handle assembly

No	Code	Description	Specification	Quantity	Remark
1	T606-1	DT handle		1	
2	GB/T 70.1-2000	Hexagon socket head cap screws	M6×25	4	
3	GB/T 93-1987	Spring washer	Φ6	4	
4	SL20GA-01.10.04	Mounting plate welded		1	
5	EG30-01.4.1	Handle connecting rod		1	
6	GB/T 78-2000	Hexagon socket end set screw	M6×10	1	
7	GB/T 16674-1996	Hexagon head flange bolt	M8×20	2	
8	EG30-01.4.3	Pin roll		1	
9	GB/T 70.1-2000	Hexagon socket head cap screws	M10×30	2	
10	SL20GA-01.10.10	Spigot shaft		1	
11	SL20GA-01.10.03	Steering sensor component		1	
12	EG30-01.4.2	Mounting plate		1	
13	GB/T 93-1987	Spring washer	Φ10	2	
14	GB/T 70.1-2000	Hexagon socket head cap screws	M10×25	2	

### 4.1 Electrical Assembly

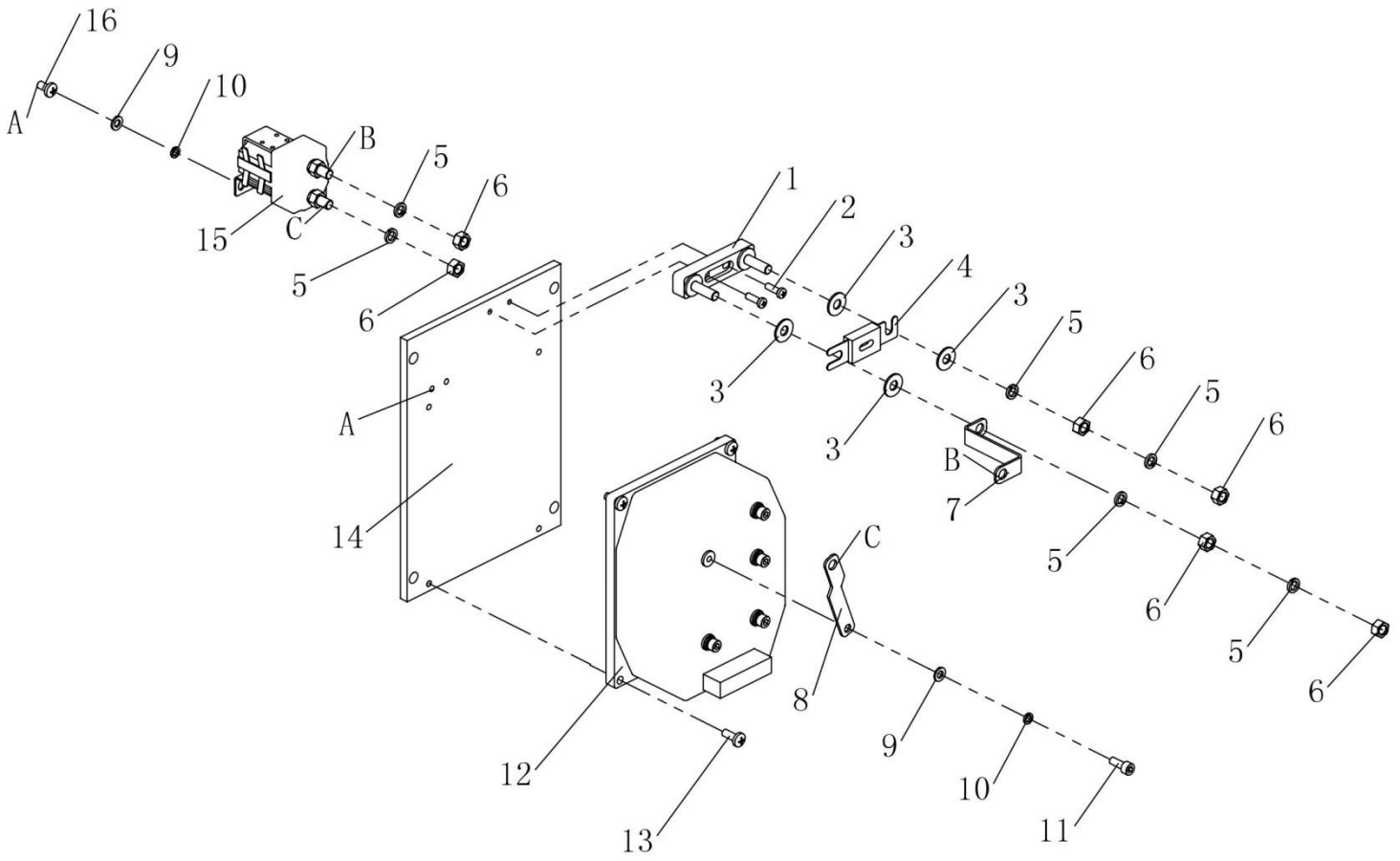


#### 4.1 Electrical Assembly

No	Code	Description	Specification	Quantity	Remark
1	LTD153	Revolving light		1	
2	EG30-01.12.2	Revolving light seat		1	
3	EG30-01.12.1	Revolving light holder		1	
4	GB/T 78-2000	Hexagon socket end set screw	M6×8	3	
5	GB/T 70.1-2000	Hexagon socket head cap screws	M8×16	5	
6	GB/T 93-1987	Spring washer	Φ8	14	
7	GB/T 5781-2000	Hexagon head full tread bolt	M5×16	3	
8	GB/T 93-1987	Spring washer	Φ5	3	
9	EKW5A-B	Foot switch		1	
10	GB/T 70.3-2000	Hexagon socket countersunk head screws	M6×12	2	
11	E10GL-01.15	Emergency stop switch bracket		1	
12	ZDK31-250	Emergency stop switch		1	
13	GB/T 95-2002	Flat washer	Φ8	2	
14	DK1220.01-1	Electrically controlled mounting plate		1	
15	1212P-2502	Electrically controlled		1	
16	GB/T 93-1987	Spring washer	Φ4	2	
17	GB/T 70.1-2000	Hexagon socket head cap screws	M4×35	1	
18	GB/T 70.1-2000	Hexagon socket head cap screws	M4×30	1	
19	DC24-Φ125	horn		1	
20	GB/T 70.1-2000	Hexagon socket head cap screws	M8×20	5	
21	DK1232-01	AC Electric control components		1	



### 4.3DK1232-01AC Electronic control components.



### 4.3DK1232-01AC Electronic control components.

No	Code	Description	Specification	Quantity	Remark
1	TY-02.32	Fuse base		1	
2	GB/T 818-2000	Cross recessed pan head screw	M5×16	2	
3		Copper gasket		4	
4	TY-01.1	Fuse	200A	1	
5	GB/T 93-1987	Spring washer	Φ8	6	
6	GB/T 6170-2000	Hexagon nut	M8	6	
7	DK1230-01.2	Copper sheet (1)		1	
8	DK1232-01.2	Copper sheet (3)		1	
9	GB/T 95-2002	Flat washer	Φ6	7	
10	GB/T 93-1987	Spring washer	Φ6	7	
11	GB/T 70.1-2000	Hexagon socket head cap screws	M6×16	5	
12	1232E	AC electric controller		1	
13	GB/T 818-2000	Cross recessed pan head screw	M6×16	4	
14	DK1232-02.1	Electric controller mounting plate		1	
15	TY-01.41	Relay	SW80	1	
16	GB/T 818-2000	Cross recessed pan head screw	M6×12	2	

**The power of interpretation of this part catalogue will be preserved by the manufacturer eventually.**