

ILLUSTRATED PARTS LIST

图解零件表

KUBOTA

MODEL 型号 WG2503-GL-E3-AHFT-1

GASOLINE/LPG ENGINE

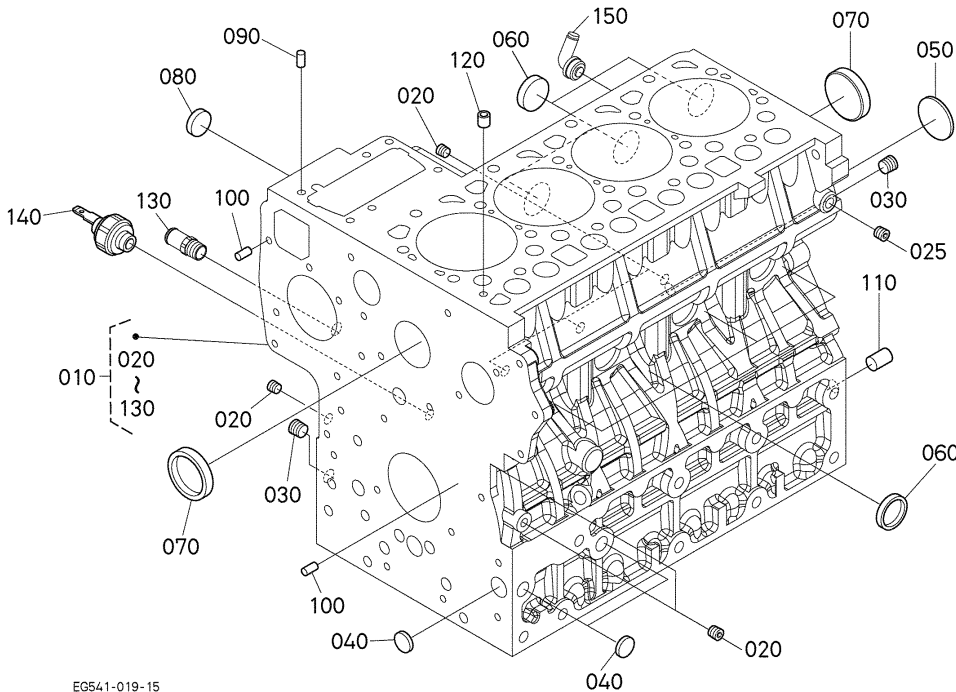
汽油/液化石油气发动机



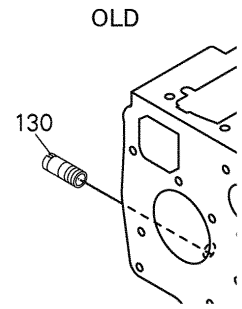
97898-95350
MAY
5月 2019

000100 CRANKCASE ## WG2503-GL-E3-AHFT-1
WG2503-GL-E3-AHFT-1 ENGINE

Update Date: 2022/09/16
Printing Date: 2023/09/16



EG541-019-15



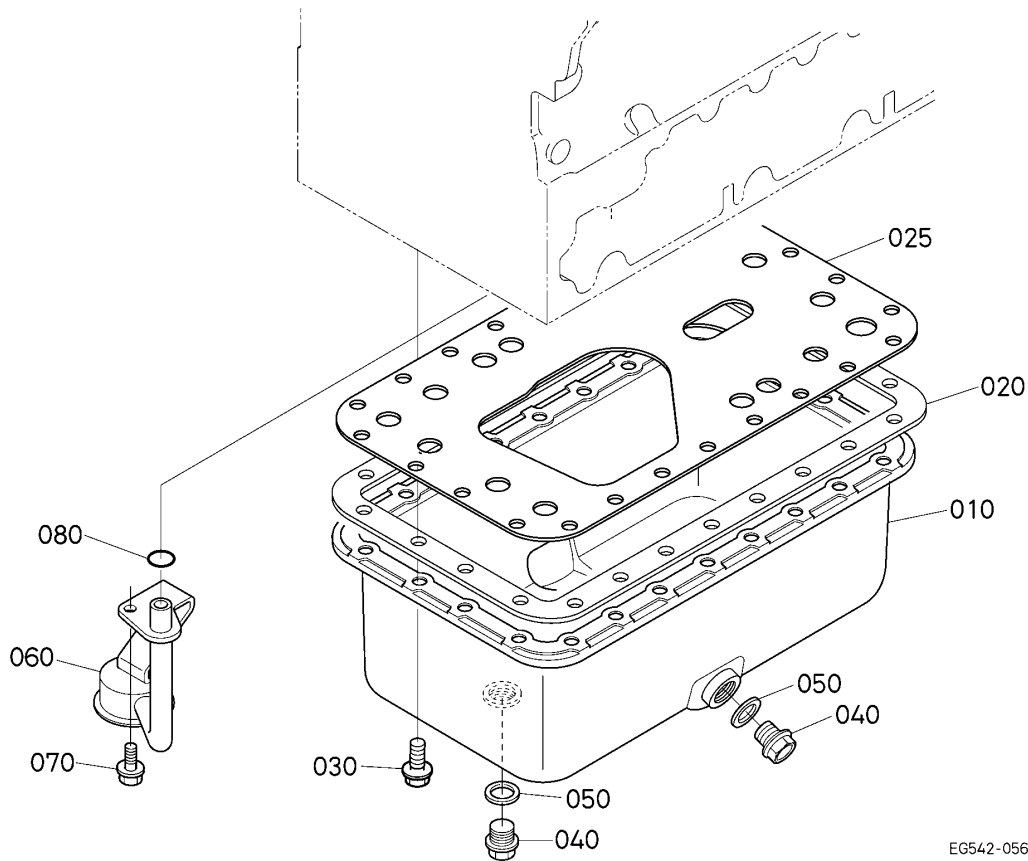
EG542-821-10

≡ Interchangeable NI Not Interchangeable >> New for Old << Old for New

No.	Part No.	Part Name	Qty	IC	Serial No./PIN	Remarks	Kg
010	EG549-01012	CRANKCASE,COMP	1		<=7NRZ999		0.0
010	EG549-01013	CRANKCASE,COMP	1	>>	>=7NS0001		0.0
020	15521-96020	PLUG	6				0.003
025	16691-96022	PLUG	2				0.002
030	15521-96030	PLUG	2				0.007
040	17391-96160	PLUG,EXPANSION	3				0.003
050	16271-96160	PLUG,EXPANSION	1				0.025
060	15221-03380	CAP,SEALING	5				0.017
070	15221-03390	CAP,SEALING	2				0.03
080	16851-96270	CAP,SEALING	1				0.005
090	05012-00609	PIN,STRAIGHT	1				0.003
100	05012-00612	PIN, STRAIGHT	2				0.003
110	05012-01018	PIN,STRAIGHT	1				0.012
120	15221-33650	PIN,PIPE	1				0.004
130	15321-73340	PIPE(WATER RETURN)	1		<=7MTZ999		0.016

= Interchangeable NI Not Interchangeable >> New for Old << Old for New

No.	Part No.	Part Name	Qty	IC	Serial No./PIN	Remarks	Kg
130	1G814-73340	PIPE	1	=	>=7MU0001		0.01
140	1A024-39010	SWITCH(OIL)	1				0.035
150	1J550-71352	JOINT,PIPE	1				0.1



EG542-056-11

≡ Interchangeable

NI Not Interchangeable

>> New for Old

<< Old for New

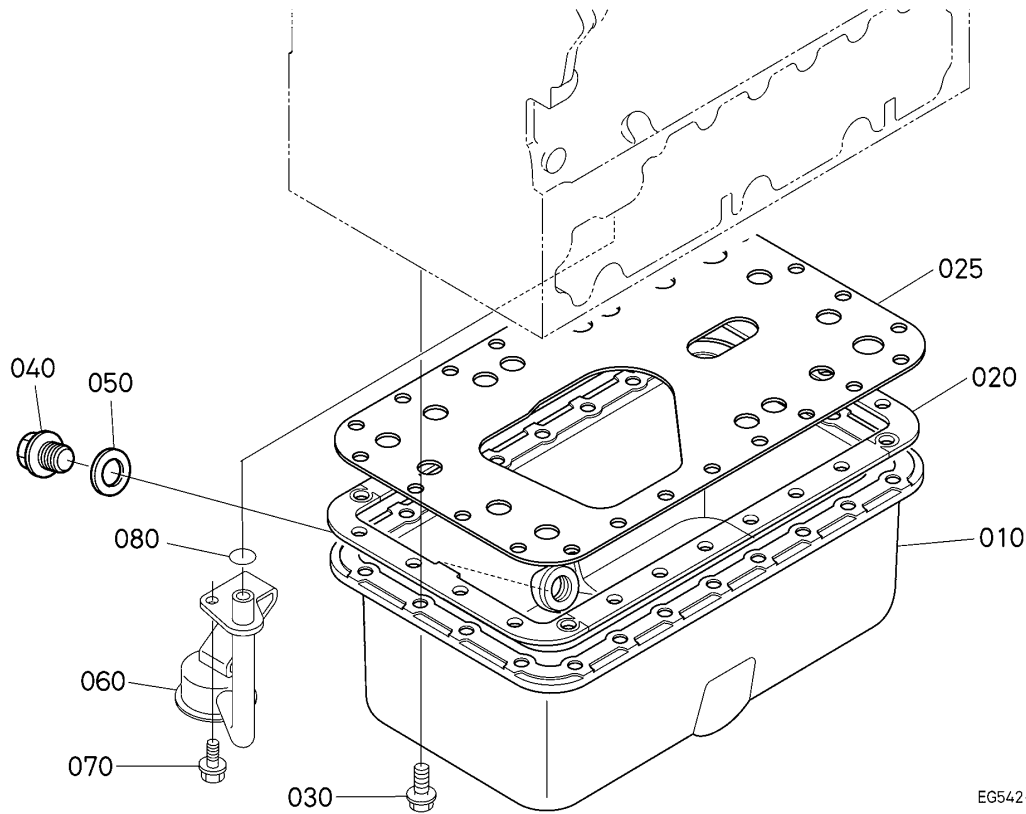
No.	Part No.	Part Name	Qty	IC	Serial No./PIN	Remarks	Kg
010	19077-01504	COMP.OIL PAN	1		<=7LPZ999		2.65
010	1K945-01502	COMP.OIL PAN	1	>>	>=7LQ0001	SEE FigNo.000201 RefNo.010	2.5
020	1E446-01620	GASKET(OIL PAN)	1				0.045
025	EG544-01670	PLATE(BAFFLE)	1				0.65
030	1G861-91010	BOLT,FLANGE	24				0.025
040	15707-33750	DRAIN PLUG	2				0.095
050	15451-96670	PACKING	2				0.003
060	EG543-32110	FILTER,OIL	1				0.3
070	01754-50812	BOLT,FLANGE	1				0.008
080	04817-00160	O RING	1				0.001

000201 OIL PAN ## WG2503-GL-E3-AHFT-1

S.No.>=7LQ0001 S.No.;>=7LQ0001
 WG2503-GL-E3-AHFT-1 ENGINE

Update Date: 2022/09/16

Printing Date: 2023/09/16



EG542-081-10

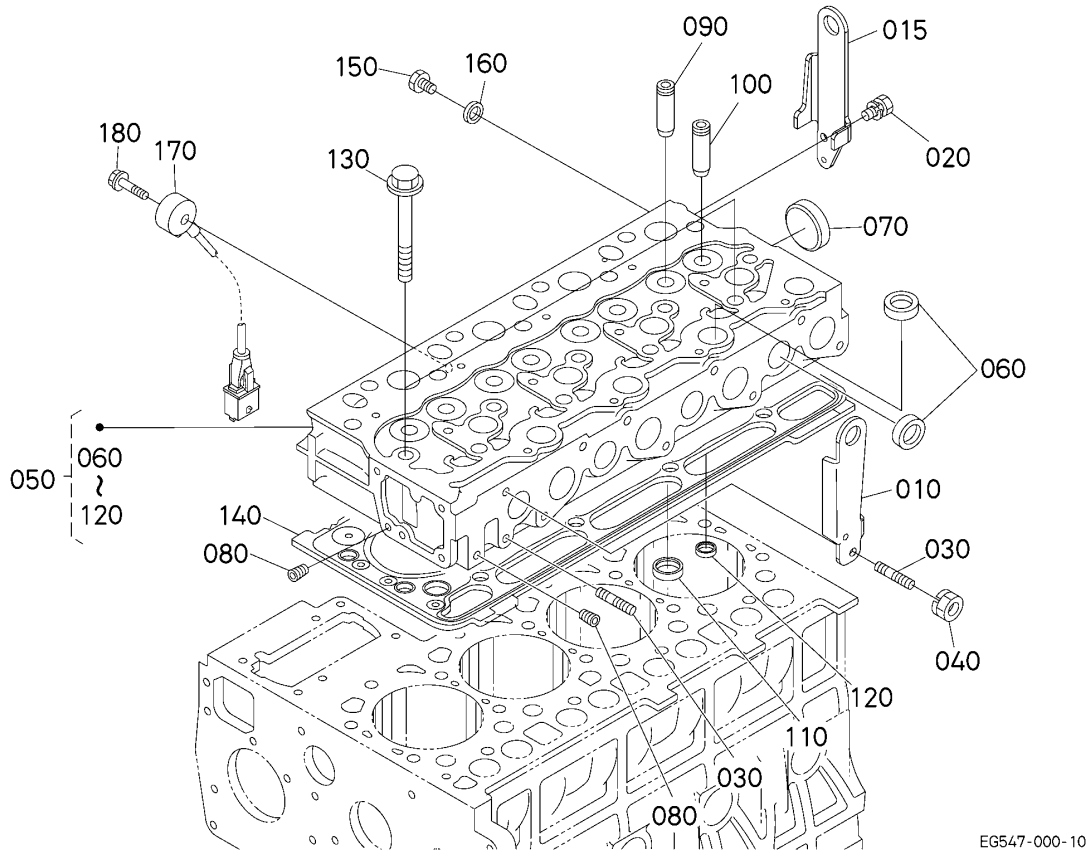
≡ Interchangeable

NI Not Interchangeable

>> New for Old

<< Old for New

No.	Part No.	Part Name	Qty	IC	Serial No./PIN	Remarks	Kg
010	1K945-01502	COMP.OIL PAN	1				2.5
020	1E446-01620	GASKET(OIL PAN)	1				0.045
025	EG544-01670	PLATE(BAFFLE)	1				0.65
030	1G861-91010	BOLT,FLANGE	24				0.025
040	15707-33750	DRAIN PLUG	1				0.095
050	15451-96670	PACKING	1				0.003
060	EG543-32110	FILTER,OIL	1				0.3
070	01754-50812	BOLT,FLANGE	1				0.008
080	04817-00160	O RING	1				0.001



≡ Interchangeable NI Not Interchangeable >> New for Old << Old for New

No.	Part No.	Part Name	Qty	IC	Serial No./PIN	Remarks	Kg
010	EG594-01740	HOOK(ENGINE,1)	1				0.23
015	EG543-01752	HOOK(ENGINE,2)	1				0.25
020	01123-50816	BOLT	1				0.011
030	15471-91530	BOLT,STUD	2				0.01
040	16429-92010	NUT	1				0.007
050	EG543-03044	HEAD,CYLINDER,COMP	1				19.1
060	15221-03370	PLUG,CUP TYPE	12				0.01
070	15221-03490	CAP,SEALING	1				0.02
080	15261-96010	PLUG	2				0.002
090	1J829-13580	GUIDE,VALVE(INLET)	4				0.02
100	1J829-13560	GUIDE,VALVE(EXHAUST)	4				0.02
110	EG543-13620	VALVE SEAT,INLET	4				0.01

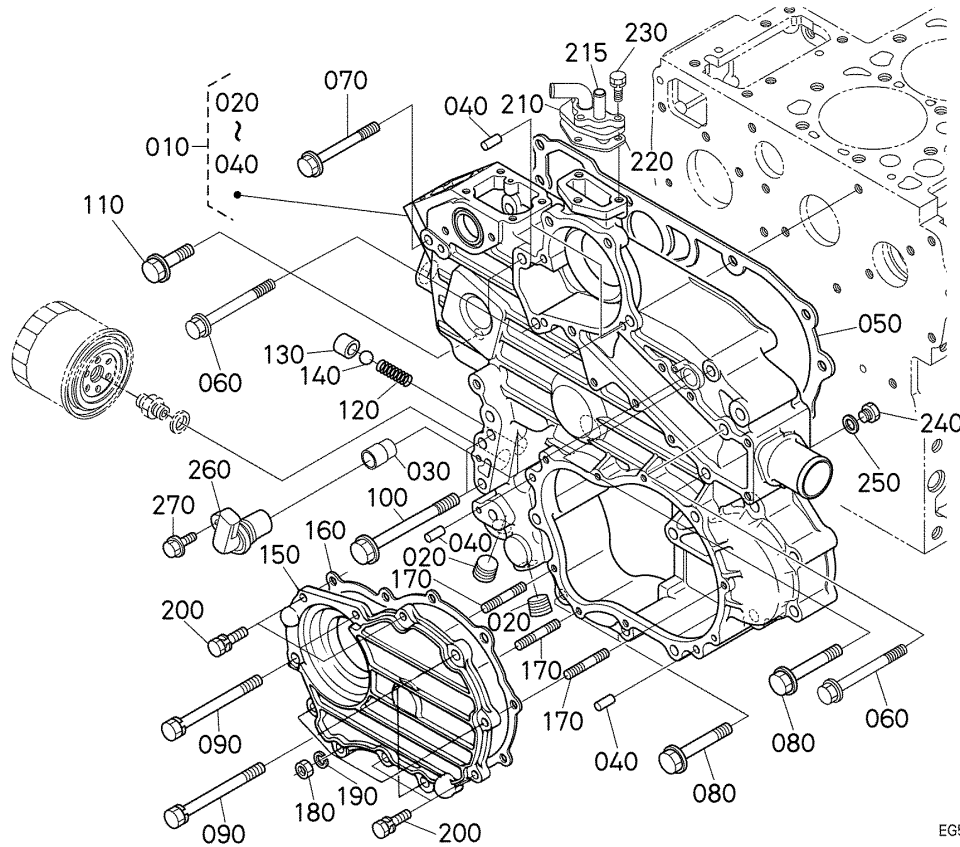
≡ Interchangeable

NI Not Interchangeable

>> New for Old

<< Old for New

No.	Part No.	Part Name	Qty	IC	Serial No./PIN	Remarks	Kg
120	EG543-13612	SEAT,VALVE(EXHAUST)	4				0.01
130	19013-03450	BOLT,HEAD(CYLINDER)	9				0.077
140	1G790-03632	GASKET,CYL.HEAD	1			1.35mm	0.33
150	06311-55010	PLUG	1				0.015
160	04717-01000	WASHER,SEAL	1				0.001
170	EG523-03800	SENSOR(KNOCK)	1				0.087
180	EG523-91050	BOLT(SENSOR,KNOCK)	1				0.013



EG542-048-10

≡ Interchangeable

NI Not Interchangeable

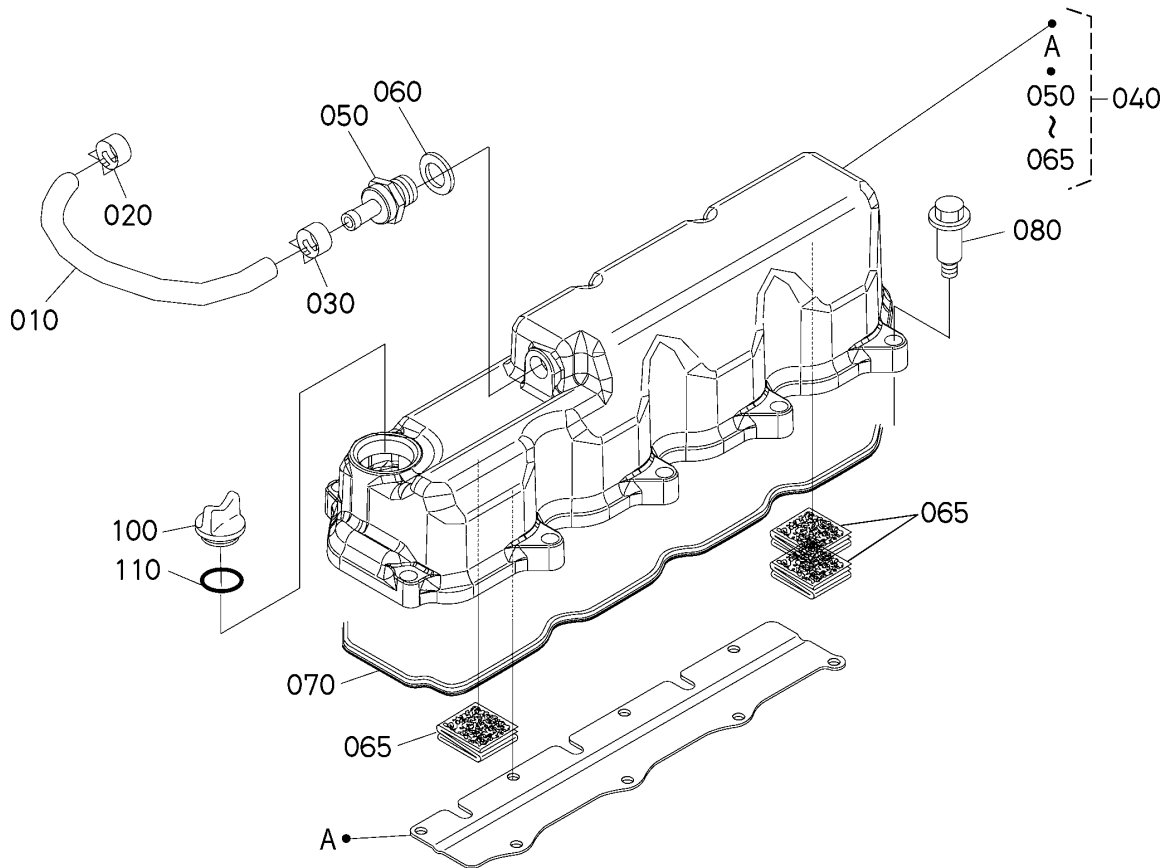
>> New for Old

<< Old for New

No.	Part No.	Part Name	Qty	IC	Serial No./PIN	Remarks	Kg
010	EG541-04010	CASE,GEAR,ASSY	1				4.75
020	16241-96020	PLUG	2				0.015
030	EG541-04160	PIPE(CAMSENSOR)	1				0.03
040	05012-00612	PIN, STRAIGHT	4				0.003
050	1J465-04130	GASKET,GEAR CASE	1				0.025
060	01754-50885	BOLT,FLANGE	5				0.032
070	01754-50875	BOLT,FLANGE	1				0.03
080	1A021-91030	BOLT,FLANGE	3				0.03
090	01123-50800	BOLT	3				0.04
100	1G841-91010	BOLT,FLANGE	2				0.04
110	01754-50830	BOLT,FLANGE	1				0.016
120	15241-36950	SPRING	1				0.004

≡ Interchangeable NI Not Interchangeable >> New for Old << Old for New

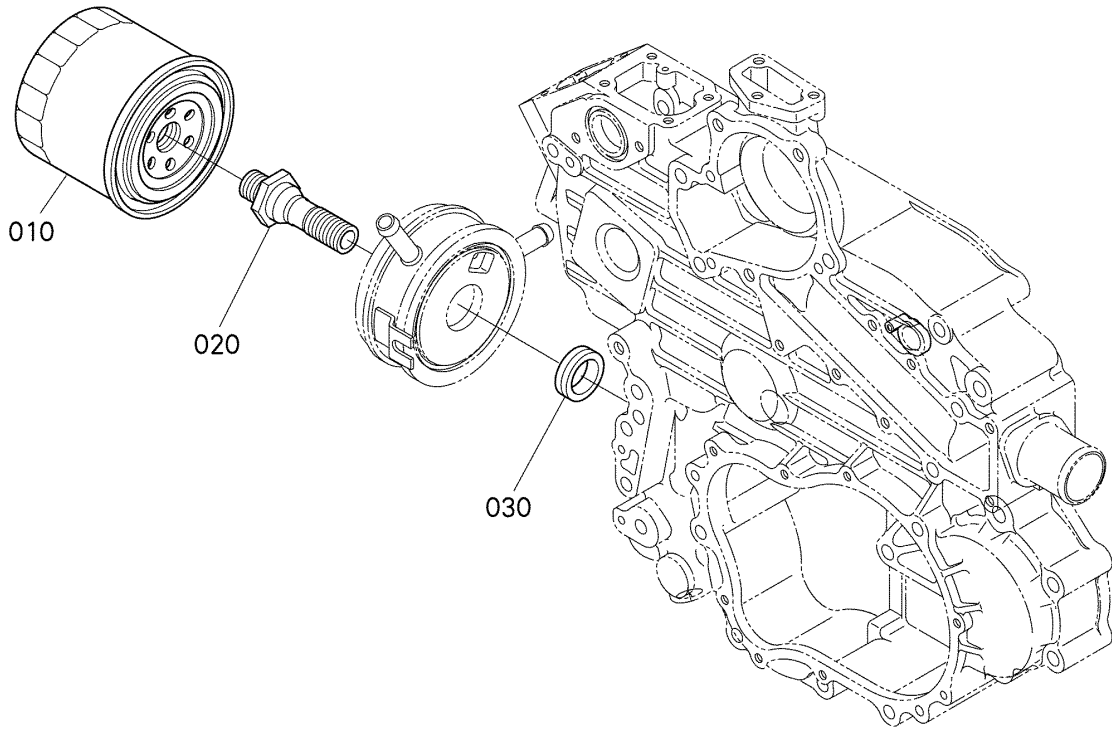
No.	Part No.	Part Name	Qty	IC	Serial No./PIN	Remarks	Kg
130	15521-36930	SEAT,VALVE	1				0.015
140	07715-03213	BALL	1				0.004
150	15469-04150	COVER,GEAR CASE	1				0.45
160	17154-04170	GASKET,GEAR CASE	1				0.006
170	15221-88210	BOLT,STUD	3				0.005
180	02056-50060	NUT	3				0.002
190	04512-50060	WASHER,SPRING LOCK	3				0.001
200	01023-50622	BOLT	5				0.005
210	EG543-73440	FLANGE,ASSY(WATER RETURN)	1				0.21
215	17331-73342	PIPE,WATER RETURN	1				0.01
220	1A021-73332	GASKET(RETURN FLANGE)	1				0.001
230	01023-50630	BOLT	3				0.008
240	15109-33630	PLUG,DRAIN	1				0.025
250	15109-33660	GASKET	1				0.001
260	EG543-68330	SENSOR	1				0.045
270	01754-50616	BOLT,FLANGE	1				0.006



EG542-014-19

≡ Interchangeable NI Not Interchangeable >> New for Old << Old for New

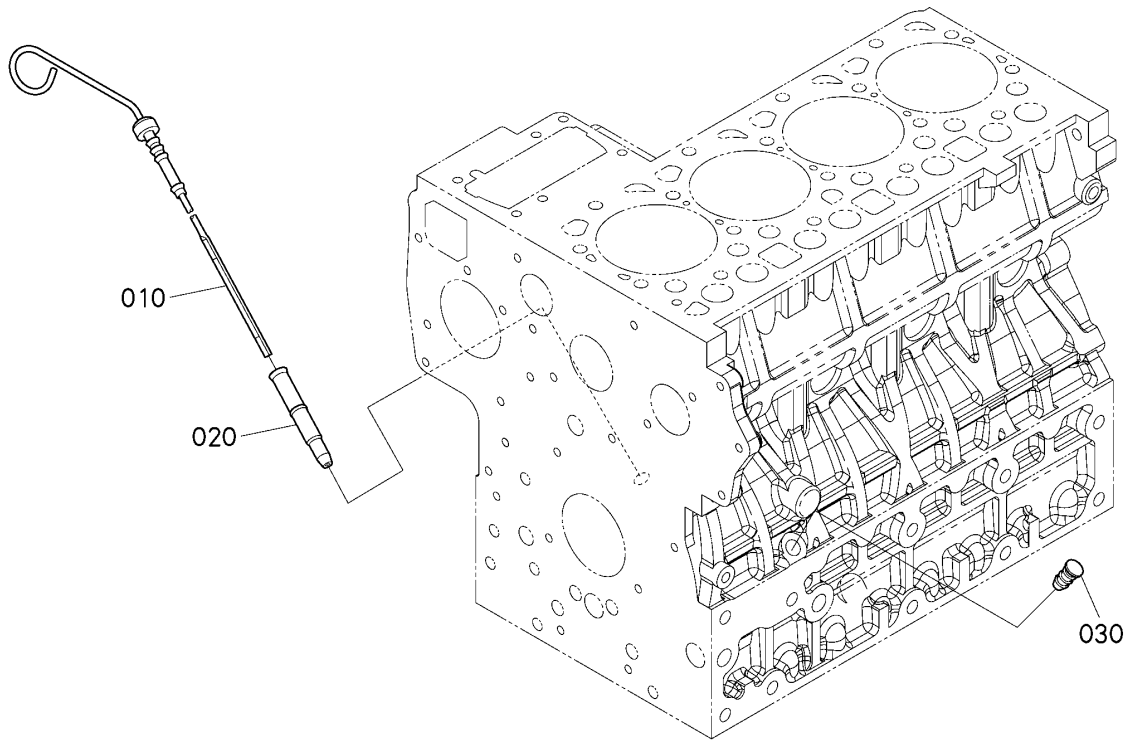
No.	Part No.	Part Name	Qty	IC	Serial No./PIN	Remarks	Kg
010	EG543-05512	TUBE(BREATHER)	1				0.03
020	09318-88125	CLAMP,HOSE	1				0.001
030	09318-88140	CLAMP,HOSE	1				0.003
040	EG542-14660	COVER,HEAD,FULL-ASSY	1				1.59
050	EG543-05450	VALVE,COMP(PCV)	1				0.045
060	04724-00160	PACKING	1				0.003
065	16241-05670	ELEMENT,(BREATHER)	3				0.01
070	1G911-14523	GASKET,HEAD COVER	1				0.025
080	1G911-91022	BOLT	10				0.015
100	15852-33140	PLUG,OIL FILLER	1				0.038
110	04817-50300	O RING	1				0.001



EG543-020-11

≡ Interchangeable NI Not Interchangeable >> New for Old << Old for New

No.	Part No.	Part Name	Qty	IC	Serial No./PIN	Remarks	Kg
010	HH164-32430	FILTER(CARTRIDGE,OIL)	1				0.5
020	1G622-37084	CONNECTOR	1				0.145
030	1G897-37090	COLLAR	1				0.035



EG543-005-13

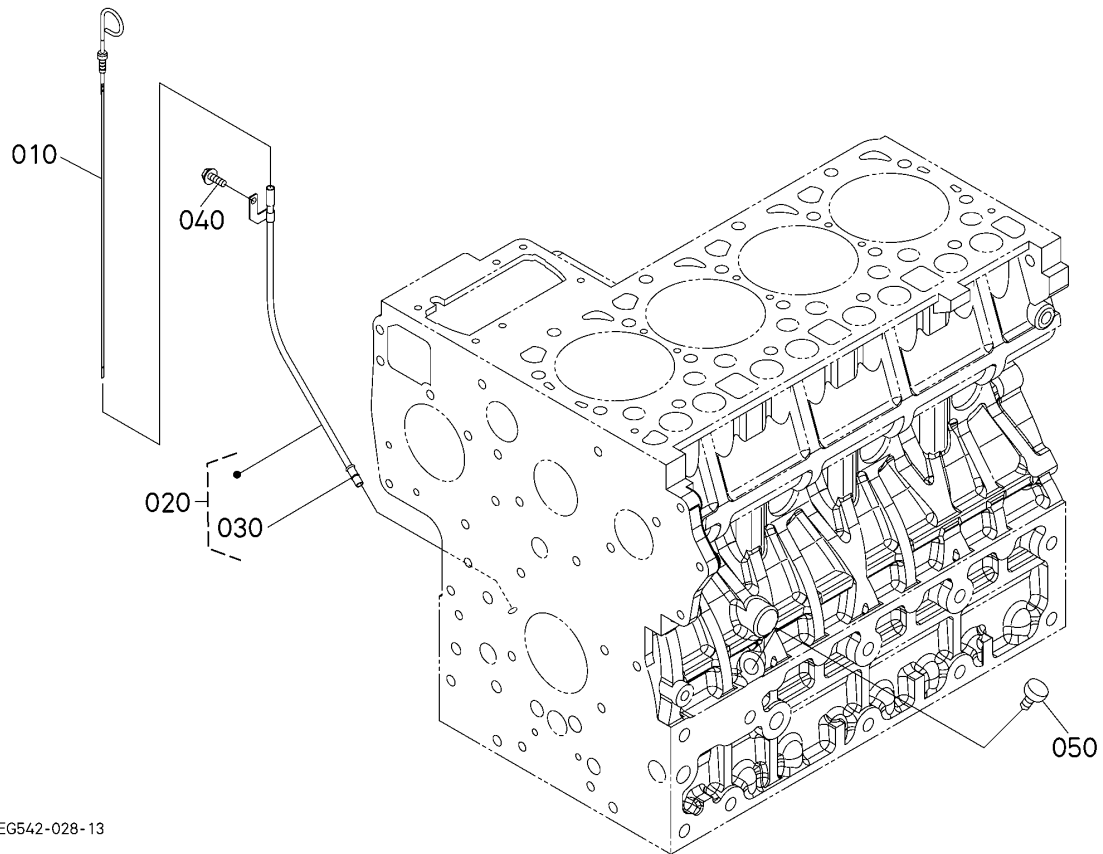
≡ Interchangeable

NI Not Interchangeable

>> New for Old

<< Old for New

No.	Part No.	Part Name	Qty	IC	Serial No./PIN	Remarks	Kg
010	EG542-36410	GAUGE,ENG OIL	1				0.03
020	17456-36420	GUIDE(GAUGE,OIL)	1				0.03
030	1G513-36550	PLUG,OIL GAUGE	1				0.004



EG542-028-13

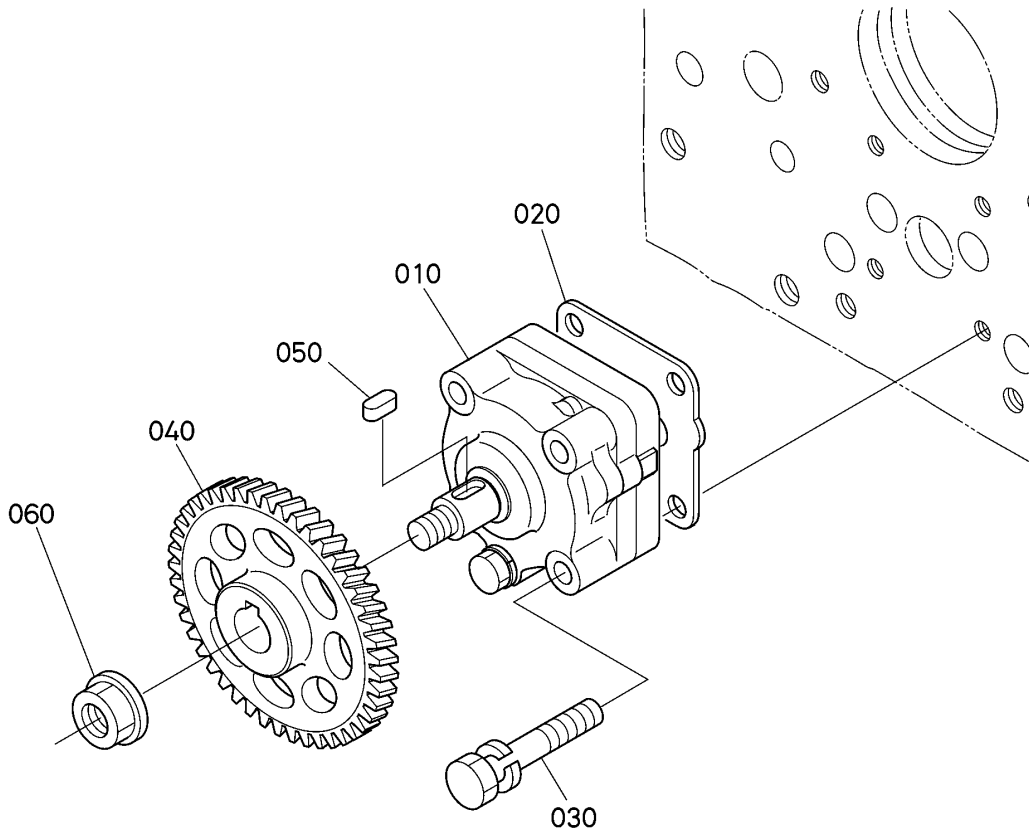
≡ Interchangeable

NI Not Interchangeable

>> New for Old

<< Old for New

No.	Part No.	Part Name	Qty	IC	Serial No./PIN	Remarks	Kg
010	EG544-36412	GAUGE,ENG. OIL	1				0.035
020	EG542-36502	GUIDE,ASSY(OIL GAUGE)	1				0.16
030	1J451-35460	O-RING	1				0.002
040	01754-50612	BOLT,FLANGE	1				0.005
050	1G513-36550	PLUG,OIL GAUGE	1				0.004



EG541-025-10

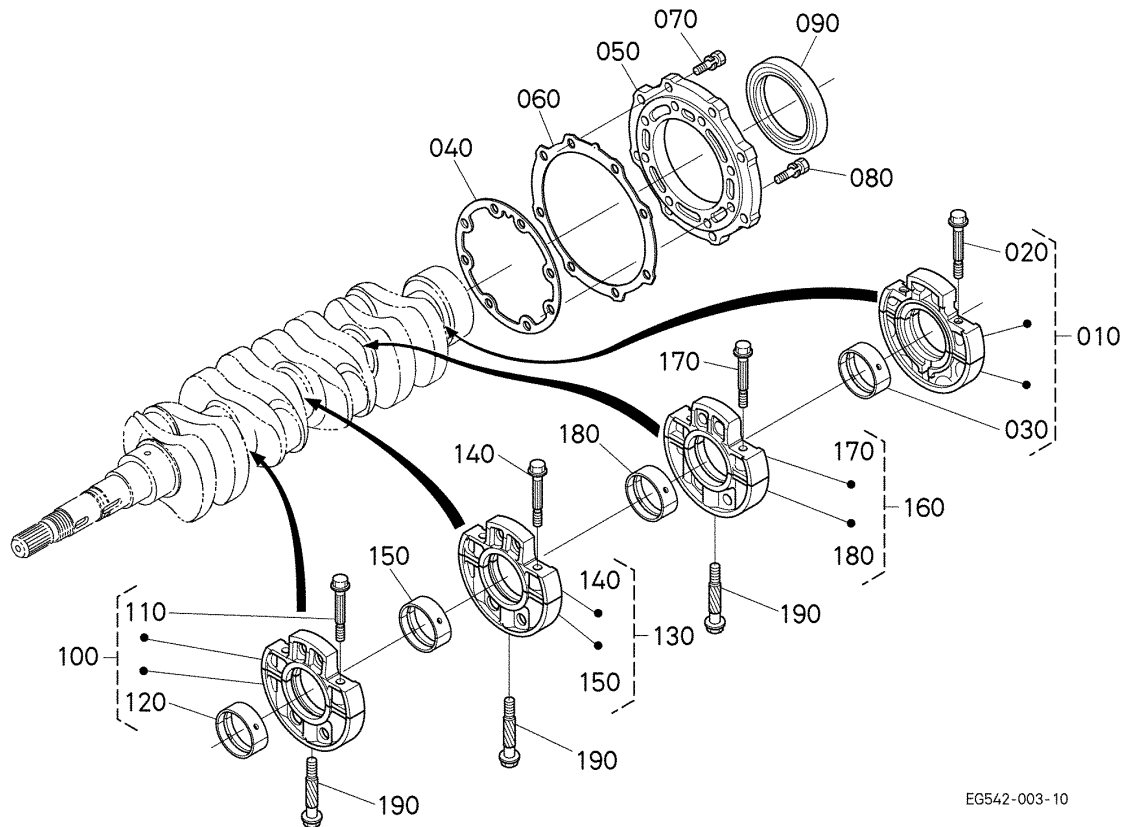
≡ Interchangeable

NI Not Interchangeable

>> New for Old

<< Old for New

No.	Part No.	Part Name	Qty	IC	Serial No./PIN	Remarks	Kg
010	1E013-35013	ASSY PUMP,OIL	1				0.57
020	1A021-35150	GASKET,OIL PUMP	1				0.001
030	01023-50650	BOLT	4				0.012
040	1G896-35660	GEAR,OIL PUMP DRIVE	1				0.135
050	05712-00410	KEY,FEATHER	1				0.001
060	15221-35682	NUT,FLANGE	1				0.014



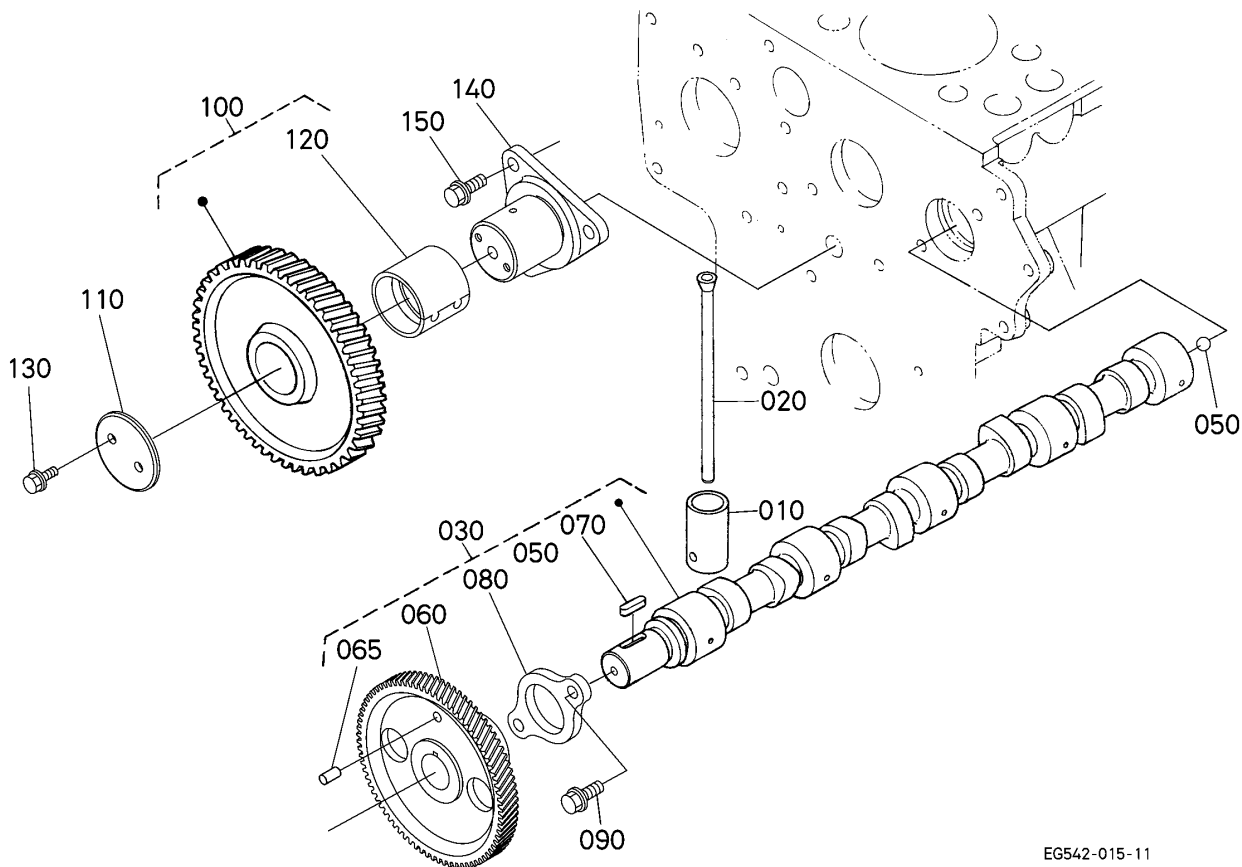
EG542-003-10

≡ Interchangeable NI Not Interchangeable >> New for Old << Old for New

No.	Part No.	Part Name	Qty	IC	Serial No./PIN	Remarks	Kg
010	1G928-07093	ASSY BRG.CASE,WHEEL	1				1.575
020	1A091-04540	BOLT	2				0.035
030	1A091-23482	METAL,CRANKSHAFT	2			STD/SET	0.05
040	1A091-04362	GASKET,BEARING CASE	1				0.029
050	1G851-04813	COVER,BEARING CASE	1				0.495
060	1A091-04820	GASKET,CASE COVER	1				0.009
070	01123-50825	BOLT	8				0.013
080	01123-50828	BOLT	8				0.014
090	16433-04460	SEAL,OIL	1				0.063
100	1A071-07044	ASSY BRG.CASE,MAIN	1				1.4
110	1A091-04540	BOLT	2				0.035
120	1A091-23482	METAL,CRANKSHAFT	2			STD/SET	0.05

≡ Interchangeable NI Not Interchangeable >> New for Old << Old for New

No.	Part No.	Part Name	Qty	IC	Serial No./PIN	Remarks	Kg
130	1A071-07054	ASSY BRG.CASE,MAIN	1				1.4
140	1A091-04540	BOLT	2				0.035
150	1A091-23482	METAL,CRANKSHAFT	2			STD/SET	0.05
160	EG543-07060	CASE,BEARING,ASSY(3,	1				1.5
170	1A091-04540	BOLT	2				0.035
180	1A091-23482	METAL,CRANKSHAFT	2			STD/SET	0.05
190	15601-04560	BOLT	3				0.06



EG542-015-11

≡ Interchangeable

NI Not Interchangeable

>> New for Old

<< Old for New

No.	Part No.	Part Name	Qty	IC	Serial No./PIN	Remarks	Kg
010	15601-15553	TAPPET	8				0.08
020	1A091-15110	ROD,PUSH	8				0.042
030	EG541-16010	CAMSHAFT,ASSY	1				3.26
050	07715-00401	BALL 1/4	1				0.001
060	EG541-16500	GEAR,COMP(CAM)	1				0.83
065	EG541-16930	PIN(CAM GEAR)	1				0.005
070	05712-00720	KEY, FEATHER	1				0.008
080	15221-16270	STOPPER(CAMSHAFT)	1				0.073
090	01754-50816	BOLT,FLANGE	2				0.011
100	1G791-24013	COMP.GEAR,IDLE	1				1.195
110	1J854-24370	COLLAR,IDLE GEAR	1				0.06
120	1J860-24982	BUSHING(IDLE GEAR)	1				0.07

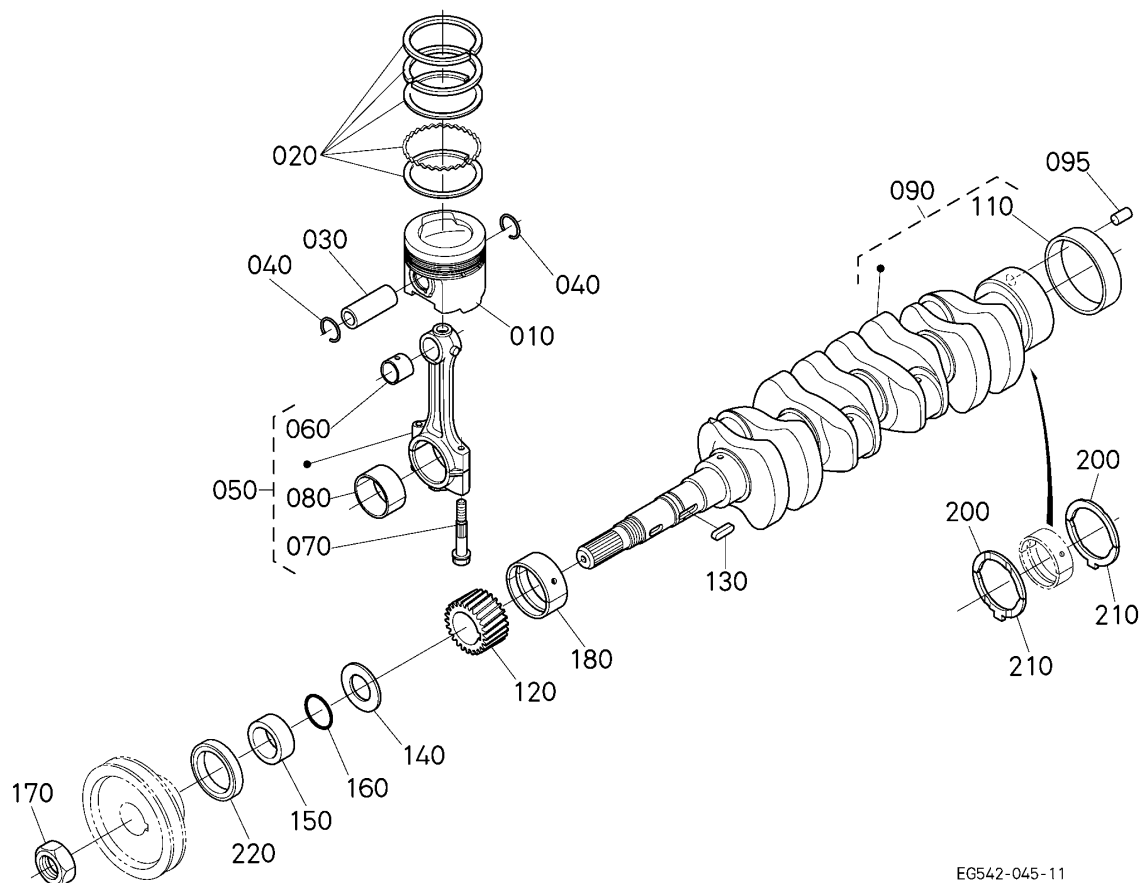
≡ Interchangeable

NI Not Interchangeable

>> New for Old

<< Old for New

No.	Part No.	Part Name	Qty	IC	Serial No./PIN	Remarks	Kg
130	01754-50610	BOLT,FLANGE	2				0.006
140	1A021-24254	SHAFT,IDLE GEAR	1				0.685
150	01754-50816	BOLT,FLANGE	3				0.011



EG542-045-11

≡ Interchangeable

NI Not Interchangeable

>> New for Old

<< Old for New

No.	Part No.	Part Name	Qty	IC	Serial No./PIN	Remarks	Kg
010	EG547-21110	PISTON	4				0.39
010	EG547-21900	PISTON(025)	4				0.42
020	EG543-21052	RING,PISTON,ASSY	4				0.05
020	EG543-21092	RING,PISTON,ASSY(025)	4				0.045
030	1A021-21310	PISTON PIN	4				0.165
040	1G279-21330	CIR CLIP,INTERNAL	8				0.004
050	17311-22014	ROD,CONNECTING,ASSY	4				0.8
060	17331-21982	BUSH,PISTON PIN	4				0.025
070	1J700-22140	BOLT,CNCT ROD	8				0.025
080	17311-22312	METAL,CRANKPIN	8			STD/SET	0.045
080	17311-22970	METAL(CRANKPIN,02)	8			-0.20mm/SET	0.05
080	17311-22980	METAL(CRANKPIN,04)	8			-0.40mm/SET	0.045

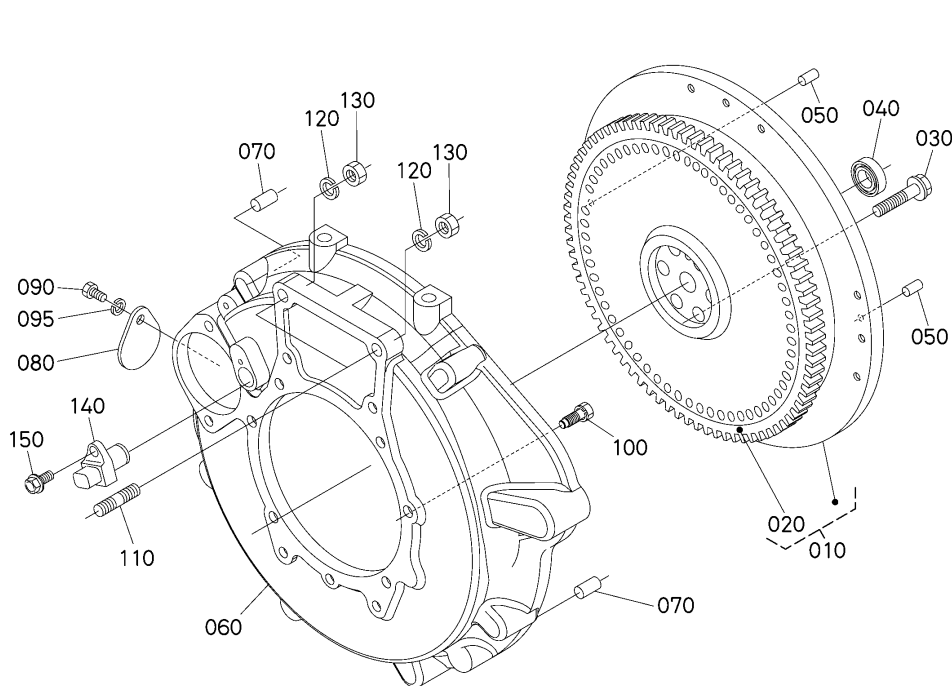
≡ Interchangeable

NI Not Interchangeable

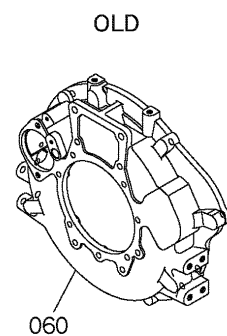
>> New for Old

<< Old for New

No.	Part No.	Part Name	Qty	IC	Serial No./PIN	Remarks	Kg
090	1J810-23020	CRANKSHAFT,COMP	1				17.0
095	1A021-23192	PIN,STRAIGHT	1				0.005
110	19202-23280	BUSH,CRANKSHAFT	1				0.09
120	1K321-24110	GEAR,CRANKSHAFT	1				0.45
130	05712-00730	FEATHER KEY	1				0.011
140	15471-23312	OIL SLINGER	1				0.008
150	19202-23250	COLLAR,CRANKSHAFT	1				0.065
160	04811-10300	O RING	1				0.001
170	15221-23360	NUT,CRANKSHAFT	1				0.11
180	1A091-23472	METAL,CRANKSHAFT	1			STD	0.062
180	1A091-23910	METAL,CRANKSHAFT	1			-0.20mm	0.065
180	1A091-23920	METAL,CRANKSHAFT	1			-0.40mm	0.065
200	1A091-23532	METAL,SIDE	2			STD	0.009
200	1A091-23950	METAL,SIDE	2			+0.20mm	0.005
200	1A091-23960	METAL,SIDE	2			+0.40mm	0.005
210	1A091-23542	METAL,SIDE	2			STD	0.009
210	1A091-23970	METAL,SIDE	2			+0.20mm	0.005
210	1A091-23980	METAL,SIDE	2			+0.40mm	0.005
220	1G896-04140	SEAL,OIL	1				0.025



EG542-066-13



EG542-826-10

≡ Interchangeable

NI Not Interchangeable

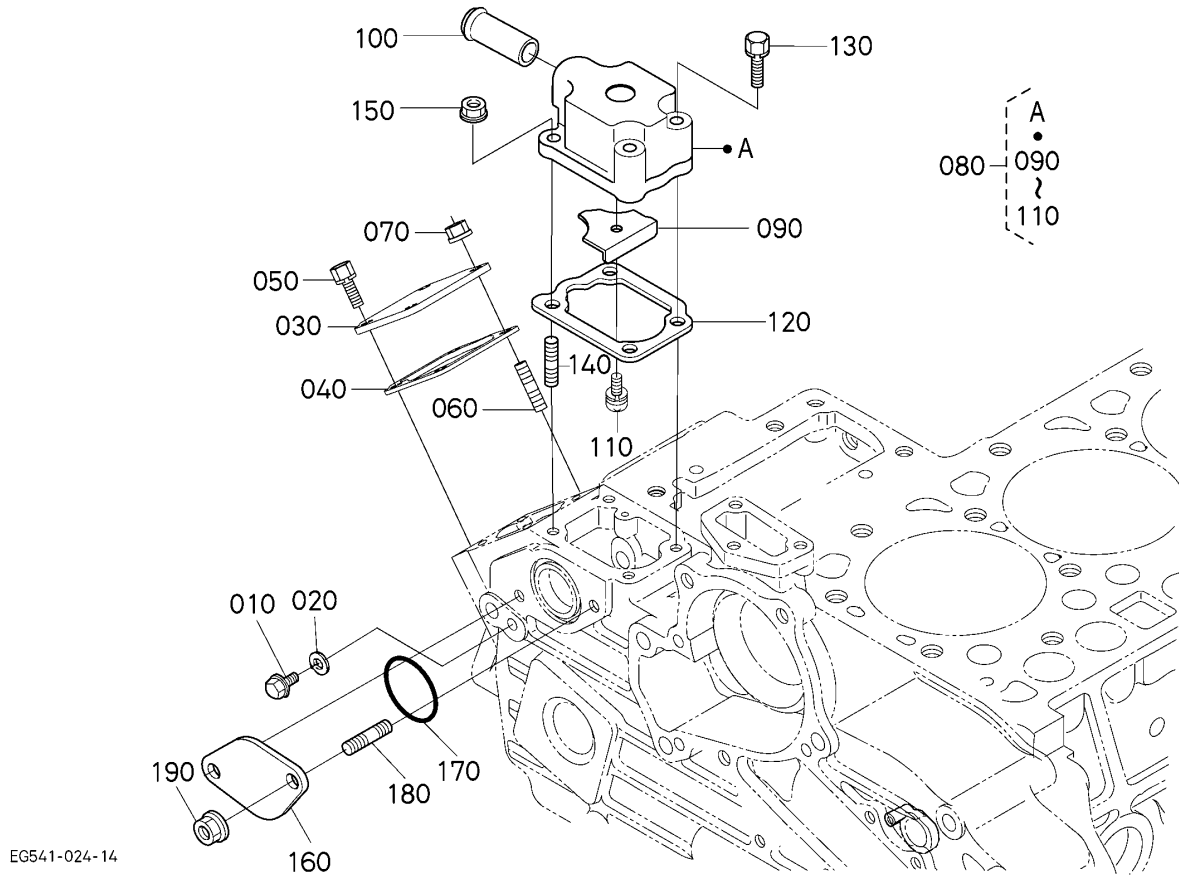
>> New for Old

<< Old for New

No.	Part No.	Part Name	Qty	IC	Serial No./PIN	Remarks	Kg
010	1K853-25012	FLYWHEEL,COMP	1		<=7NPZ999		28.0
010	EG543-25010	FLYWHEEL,COMP	1	>>	>=7NQ0001		0.0
020	1A021-63820	GEAR(RING)	1				1.5
030	1G493-25160	BOLT	6				0.055
040	08121-06002	BEARING,BALL	1				0.03
050	1G496-94510	PIN,STRAIGHT	2				0.003
060	EG542-04610	HOUSING,FW	1		<=7NMZ999		18.0
060	EG543-04610	HOUSING,FW	1	>>	>=7NN0001		14.0
070	1G496-94520	PIN,STRAIGHT	2				0.023
080	31220-14170	COVER	1				0.014
090	01153-50812	BOLT	1				0.008
095	04512-50080	WASHER,SPRING LOCK	1				0.002
100	16427-91010	BOLT	11				0.03
110	01574-51230	STUD	2				0.037
120	04512-50120	WASHER SPRING	2				0.003

≡ Interchangeable
 NI Not Interchangeable
 >> New for Old
 << Old for New

No.	Part No.	Part Name	Qty	IC	Serial No./PIN	Remarks	Kg
130	02176-50120	NUT	2				0.01
140	E9121-68332	ASSY SENSOR,STICK	1				0.038
150	01754-50612	BOLT,FLANGE	1				0.005



≡ Interchangeable NI Not Interchangeable >> New for Old << Old for New

No.	Part No.	Part Name	Qty	IC	Serial No./PIN	Remarks	Kg
010	01053-50612	BOLT	1				0.004
020	15601-96650	PACKING	1				0.001
030	1G730-54540	COVER,BOOST COM.HOUS	1				0.08
040	1J866-57210	GASKET	1				0.002
050	01023-50616	BOLT	2				0.006
060	15841-91510	STUD	2				0.007
070	02751-50060	NUT,FLANGE	2				0.005
080	EG543-57600	FLANGE,COMP(BREATHER)	1				0.135
090	EG543-57620	PLATE	1				0.01
100	17331-73342	PIPE,WATER RETURN	1				0.01
110	03024-50512	SCREW,SEMS(PAN HEAD)	1				0.003
120	1J866-57210	GASKET	1				0.002

≡ Interchangeable NI Not Interchangeable >> New for Old << Old for New

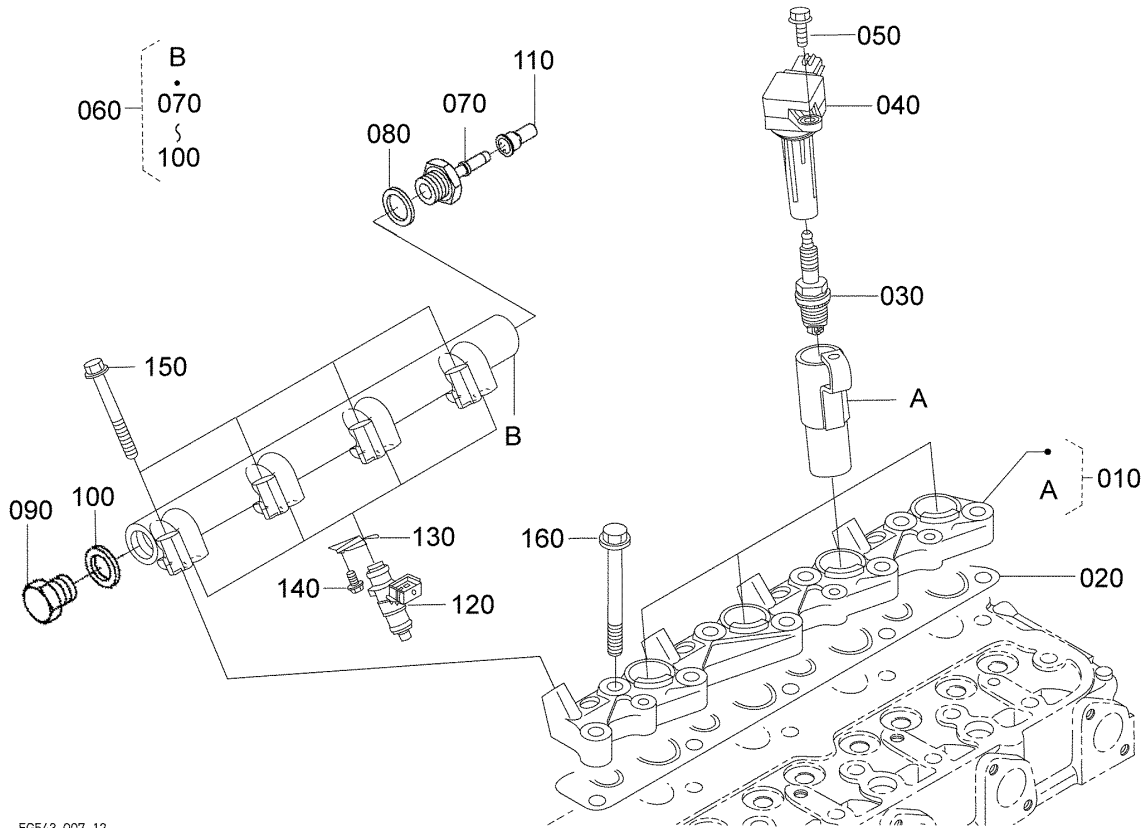
No.	Part No.	Part Name	Qty	IC	Serial No./PIN	Remarks	Kg
130	01023-50640	BOLT	2				0.01
140	15221-88210	BOLT,STUD	2				0.005
150	02751-50060	NUT,FLANGE	2				0.005
160	1G856-60120	COVER,SOLENOID	1				0.335
170	04814-06310	O RING	1				0.002
180	15221-88210	BOLT,STUD	2				0.005
190	02751-50060	NUT,FLANGE	2				0.005

030200 IGNITION COIL ## WG2503-GL-E3-AHFT-1

S.No.<=7MVZ999 S.No.;<=7MVZ999
WG2503-GL-E3-AHFT-1 ENGINE

Update Date: 2022/09/16

Printing Date: 2023/09/16



EG543-007-12

≡ Interchangeable

NI Not Interchangeable

>> New for Old

<< Old for New

No.	Part No.	Part Name	Qty	IC	Serial No./PIN	Remarks	Kg
010	EG543-45000	FLANGE,COMP INJECTOR	1		<=7MVZ999		2.8
010	EG541-45000	FLANGE,COMPINJECTOR	1	NI	>=7MW0001	SEE FigNo030201 RefNo.060	3.0
020	EG543-45050	GASKET(FLANGE)	1				0.027
030	EG523-67710	SPARK PLUG	4				0.046
040	EG523-67090	COIL(IGNITION)	4				0.151
050	01754-50616	BOLT,FLANGE	4				0.006
060	EG543-44032	PIPE,ASSY(DELIVERY)	1				0.57
070	EG522-42630	JOINT(FUEL)	1				0.029
080	04724-00120	GASKET	1				0.002
090	06331-35020	PLUG	1				0.068
100	04724-00200	PACKING	1				0.003
110	EG522-42640	CAP(FUEL)	1				0.001

This content is the information at the time of publication on this site, information such as the part name and part number may be different from the present. Illustrations of products and parts that are posted are image diagrams.

a526292b-5483-4acf-8ca8-d85adbd66011 guo feng

030200 IGNITION COIL ## WG2503-GL-E3-AHFT-1

S.No.<=7MVZ999 S.No.;<=7MVZ999
WG2503-GL-E3-AHFT-1 ENGINE

Update Date: 2022/09/16

Printing Date: 2023/09/16

= Interchangeable

NI Not Interchangeable

>> New for Old

<< Old for New

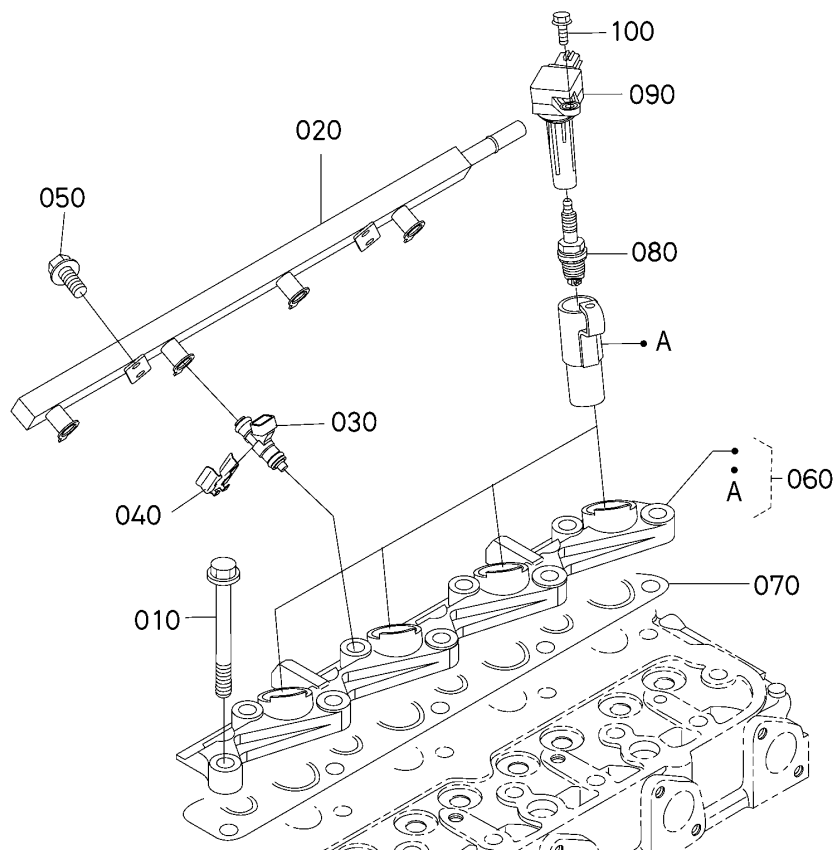
No.	Part No.	Part Name	Qty	IC	Serial No./PIN	Remarks	Kg
120	EG522-44020	INJECTOR	4				0.023
130	EG522-44120	STOPPER(INJECTOR)	4				0.003
140	01754-50612	BOLT,FLANGE	4				0.005
150	01754-50645	BOLT,FLANGE	4				0.01
160	EG543-03450	BOLT,HEAD	9				0.085

030201 IGNITION COIL ## WG2503-GL-E3-AHFT-1

S.No.>=7MW0001 S.No.;>=7MW0001
WG2503-GL-E3-AHFT-1 ENGINE

Update Date: 2022/09/16

Printing Date: 2023/09/16



EG543-099-10

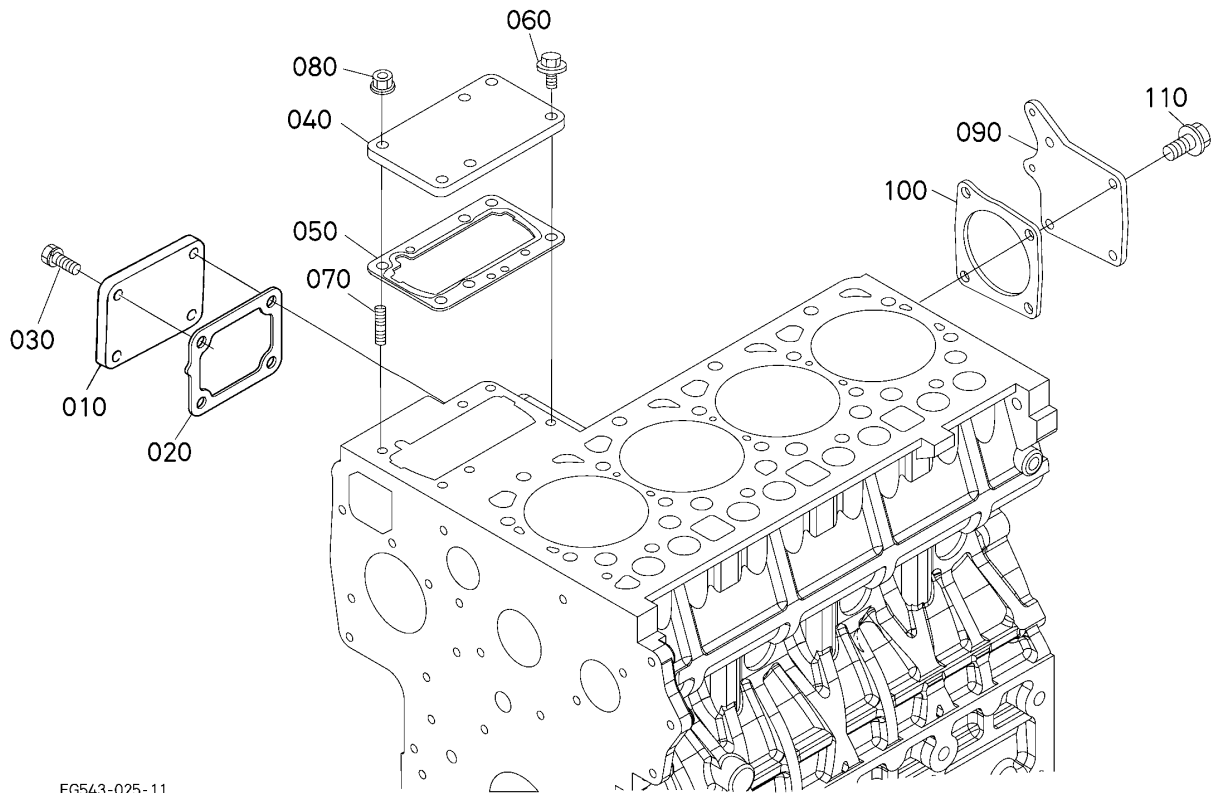
≡ Interchangeable

NI Not Interchangeable

>> New for Old

<< Old for New

No.	Part No.	Part Name	Qty	IC	Serial No./PIN	Remarks	Kg
010	EG543-03450	BOLT,HEAD	9				0.085
020	EG543-44040	RAIL	1				0.29
030	EG522-44020	INJECTOR	4				0.023
040	EG815-44050	STOPPER(INJECTOR)	4				0.003
050	01023-50616	BOLT	4				0.006
060	EG541-45000	FLANGE,COMPINJECTOR	1				3.0
070	EG543-45050	GASKET(FLANGE)	1				0.027
080	EG523-67710	SPARK PLUG	4				0.046
090	EG523-67090	COIL(IGNITION)	4				0.151
100	01754-50616	BOLT,FLANGE	4				0.006



EG543-025-11

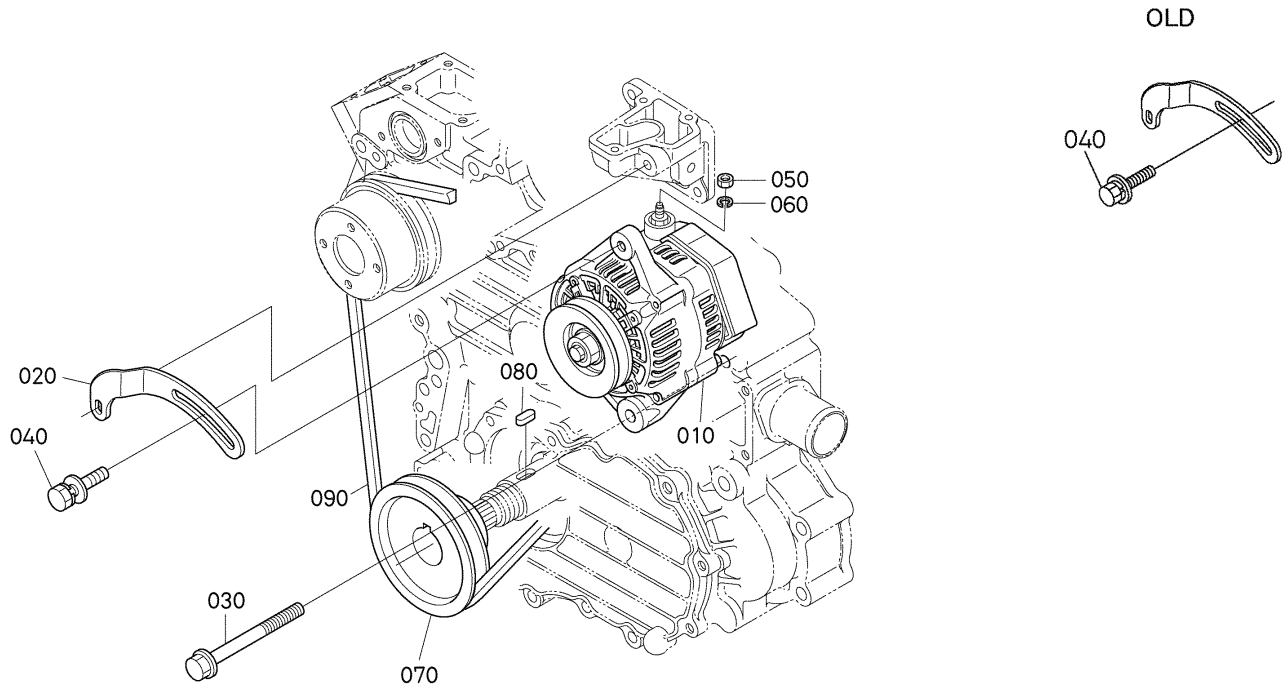
≡ Interchangeable

NI Not Interchangeable

>> New for Old

<< Old for New

No.	Part No.	Part Name	Qty	IC	Serial No./PIN	Remarks	Kg
010	1A053-51650	COVER,INJ.PUMP	1				0.173
020	1A021-51663	GASKET, PUMP COVER	1				0.003
030	01023-50616	BOLT	4				0.006
040	EG543-01930	COVER(INJ.PUMP)	1				0.33
050	19077-52092	SHIM,INJECTION	1			0.200mm	0.006
060	01123-50816	BOLT	5				0.011
070	15471-91530	BOLT,STUD	1				0.01
080	02751-50080	NUT,FLANGE	1				0.006
090	EG543-16212	COVER(FUEL CAMSHAFT)	1				0.405
100	1G492-16220	GASKET	1				0.004
110	01754-50816	BOLT,FLANGE	4				0.011



EG542-067-13

EG542-820-11

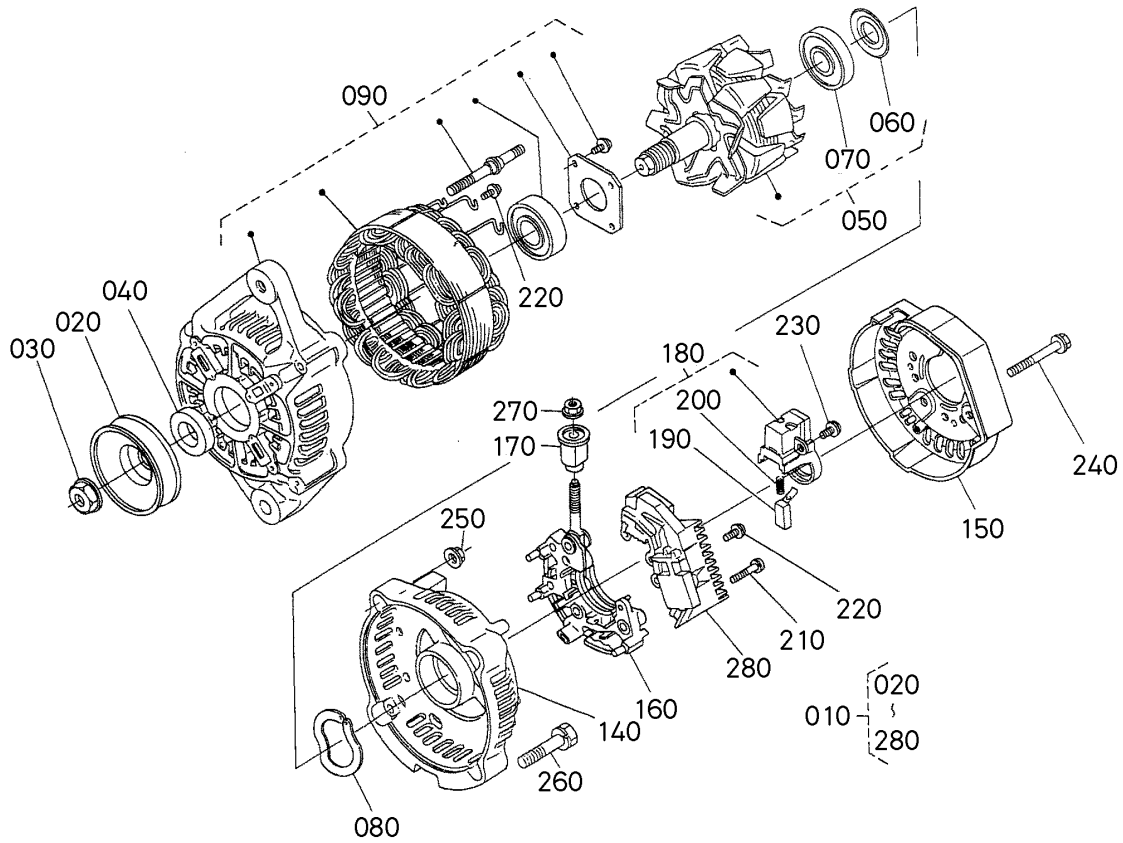
≡ Interchangeable

NI Not Interchangeable

>> New for Old

<< Old for New

No.	Part No.	Part Name	Qty	IC	Serial No./PIN	Remarks	Kg
010	1K411-64013	ASSY ALTERNATOR	1			12V 60A	3.1
020	1E090-64420	STAY,DYNAMO	1				0.18
030	01774-51070	BOLT,FLANGE	1				0.05
040	01127-50830	BOLT	1		<=7KPZ999		0.023
040	1J866-64380	BOLT	1	>>	>=7KQ0001		0.03
050	02056-50060	NUT	1				0.002
060	04512-50060	WASHER,SPRING LOCK	1				0.001
070	1A085-74280	PULLEY,FAN DRIVE	1				1.175
080	05712-00720	KEY, FEATHER	1				0.008
090	17112-97012	V BELT	1			40.0IN	0.12



EG543-056-10

≡ Interchangeable NI Not Interchangeable >> New for Old << Old for New

No.	Part No.	Part Name	Qty	IC	Serial No./PIN	Remarks	Kg
010	1K411-64013	ASSY ALTERNATOR	1			12V 60A	3.1
020	16427-64110	PULLEY, ALTERNATOR	1				0.2
030	15881-92010	NUT	1				0.02
040	15881-64150	COLLAR	1				0.004
050	TA043-64040	ROTOR	1				1.465
060	15881-64800	COVER, BEARING	1				0.001
070	16652-64770	BEARING BALL	1				0.045
080	15881-64810	WASHER, THRUST	1				0.002
090	1K411-64022	ASSY FRAME, DRIVE END	1				1.14
140	17369-64060	FRAME, END	1				0.235
150	16652-64230	COVER, END	1				0.035
160	TA043-64850	HOLDER	1				0.155

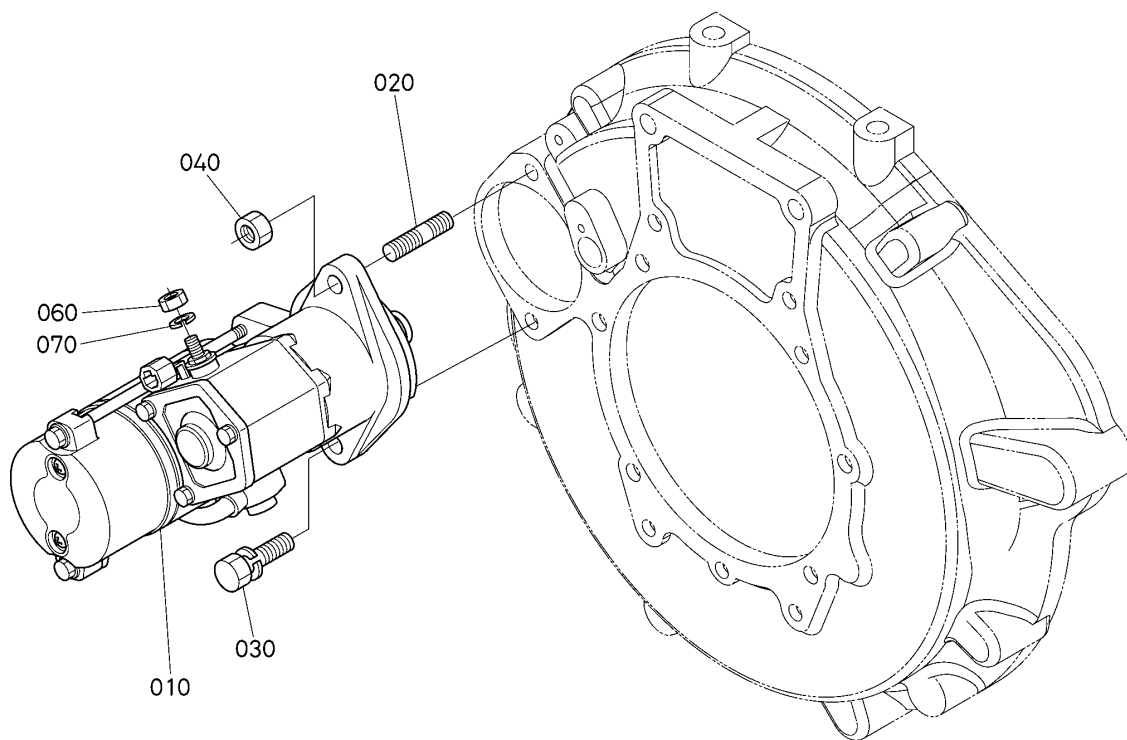
≡ Interchangeable

NI Not Interchangeable

>> New for Old

<< Old for New

No.	Part No.	Part Name	Qty	IC	Serial No./PIN	Remarks	Kg
170	15881-64900	BUSH,INSULATION	1				0.006
180	16652-64310	HOLDER BRUSH	1				0.025
190	15881-64090	BRUSH	2				0.002
200	15881-64330	SPRING, BRUSH	2				0.002
210	15881-93020	SCREW, ROUND HEAD	2				0.005
220	15881-93030	SCREW, ROUND HEAD	6				0.003
230	15881-93040	SCREW, ROUND HEAD	1				0.003
240	15881-91040	BOLT	3				0.005
250	15881-92020	NUT	2				0.02
260	15881-91050	BOLT	2				0.01
270	14182-92030	NUT	1				0.003
280	1K574-64605	ASSY REGULATOR	1				0.09



EG542-068-11

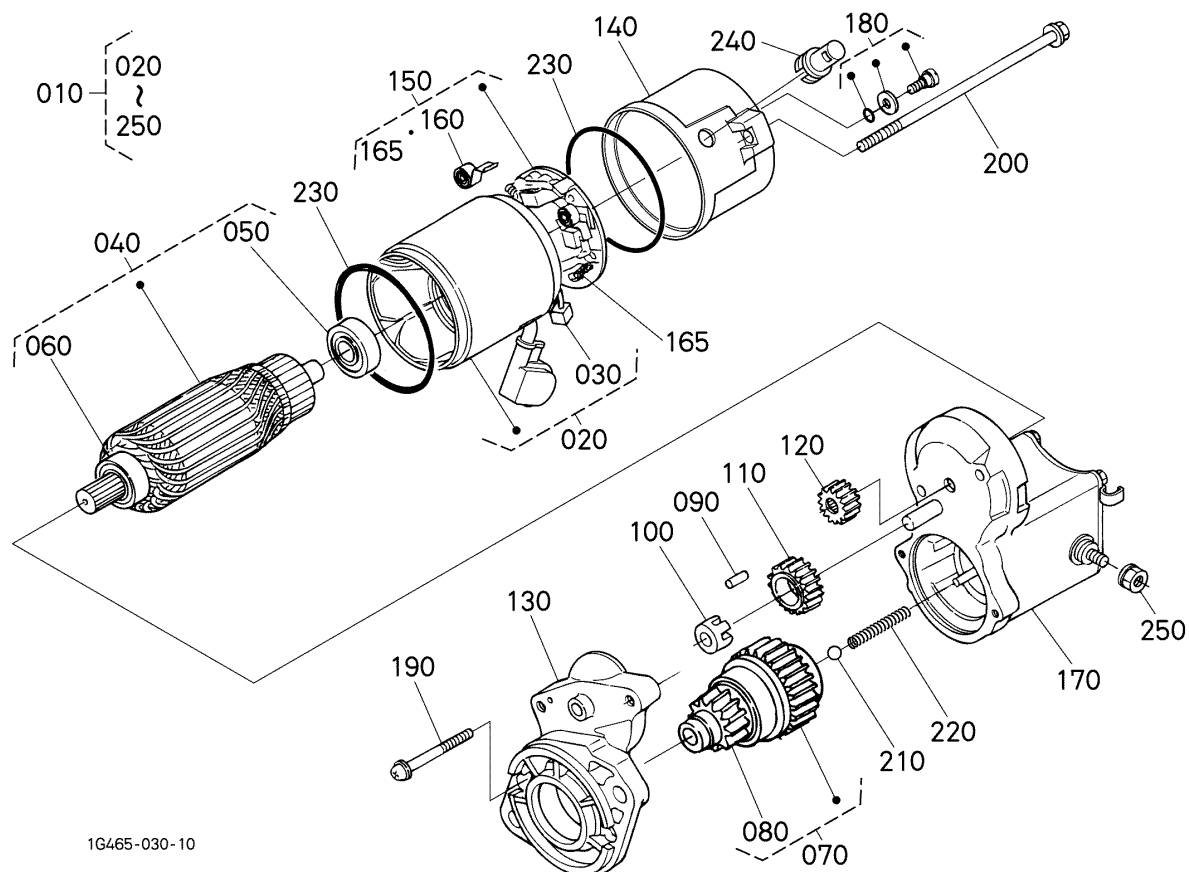
≡ Interchangeable

NI Not Interchangeable

>> New for Old

<< Old for New

No.	Part No.	Part Name	Qty	IC	Serial No./PIN	Remarks	Kg
010	1K371-63010	ASSY STARTER	1			12V 2.0kW	4.8
020	01517-51030	STUD	1				0.024
030	01133-51030	BOLT	1				0.025
040	02771-50100	NUT,FLANGE	1				0.005
060	02114-50080	NUT	1				0.005
070	04512-50080	WASHER,SPRING LOCK	1				0.002



≡ Interchangeable

NI Not Interchangeable

>> New for Old

<< Old for New

No.	Part No.	Part Name	Qty	IC	Serial No./PIN	Remarks	Kg
010	1K371-63010	ASSY STARTER	1			12V 2.0kW	4.8
020	17123-63080	YOKE	1				1.46
030	15425-63400	KIT BRUSH	2				0.02
040	17123-63070	ARMATURE	1				1.16
050	17123-63500	BEARING	1				0.03
060	11460-63500	BEARING	1				0.03
070	17123-63040	CLUTCH(OVER RUNNING)	1				0.56
080	17311-63280	GEAR,PINION	1				0.08
090	19212-63100	ROLLER	5				0.002
100	11460-63110	RETAINER	1				0.01
110	11460-63270	GEAR	1				0.04
120	17123-63260	GEAR	1				0.02

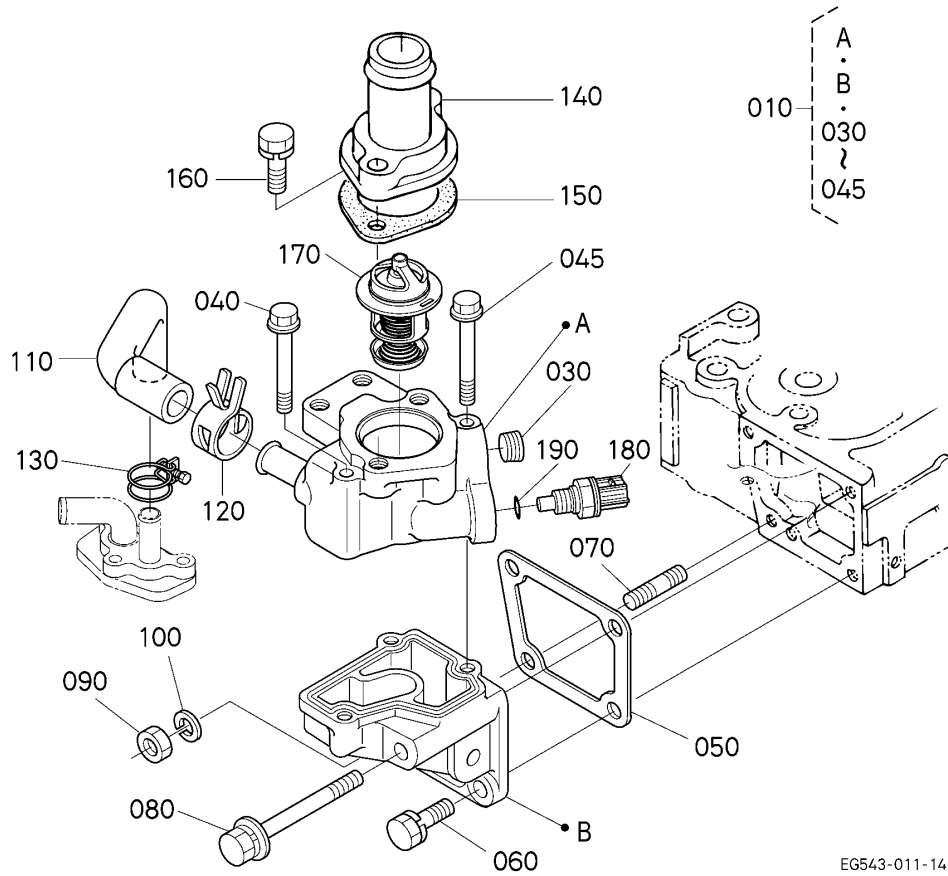
≡ Interchangeable

NI Not Interchangeable

>> New for Old

<< Old for New

No.	Part No.	Part Name	Qty	IC	Serial No./PIN	Remarks	Kg
130	17123-63030	FRAME,DRIVE END	1				0.43
140	17123-63200	FRAME,END	1				0.145
150	17123-63380	HOLDER,BRUSH	1				0.12
160	17123-63140	SPRING	4				0.005
165	15425-63390	SPRING,BRUSH	4				0.04
170	16830-63020	ASSY SWITCH,MAGNETIC	1				0.975
180	17123-93310	SCREW	2				0.003
190	17123-93320	SCREW	2				0.01
200	17123-63320	BOLT	2				0.03
210	19212-97130	BALL	1				0.003
220	11460-63120	SPRING	1				0.01
230	15511-96660	O RING	2				0.005
240	15833-63570	PIPE,DRAIN	2				0.002
250	13963-92010	NUT	2				0.005



≡ Interchangeable

NI Not Interchangeable

>> New for Old

<< Old for New

No.	Part No.	Part Name	Qty	IC	Serial No./PIN	Remarks	Kg
010	1A085-72704	COMP.FLANGE,WATER	1				0.665
030	1A021-96020	PLUG	1				0.019
040	01754-50660	BOLT,FLANGE	2				0.02
045	01754-50665	BOLT,FLANGE	1				0.01
050	1A021-72920	GASKET(FLANGE,WATER)	1				0.002
060	01123-50820	BOLT	2				0.011
070	15221-91530	BOLT,STUD	1				0.011
080	1A021-91020	BOLT	1				0.032
090	02156-50080	NUT	1				0.004
100	04512-50080	WASHER,SPRING LOCK	1				0.002
110	1A093-73340	HOSE,WATER RETURN	1				0.03
120	1A021-11720	CLAMP,HOSE	1				0.01

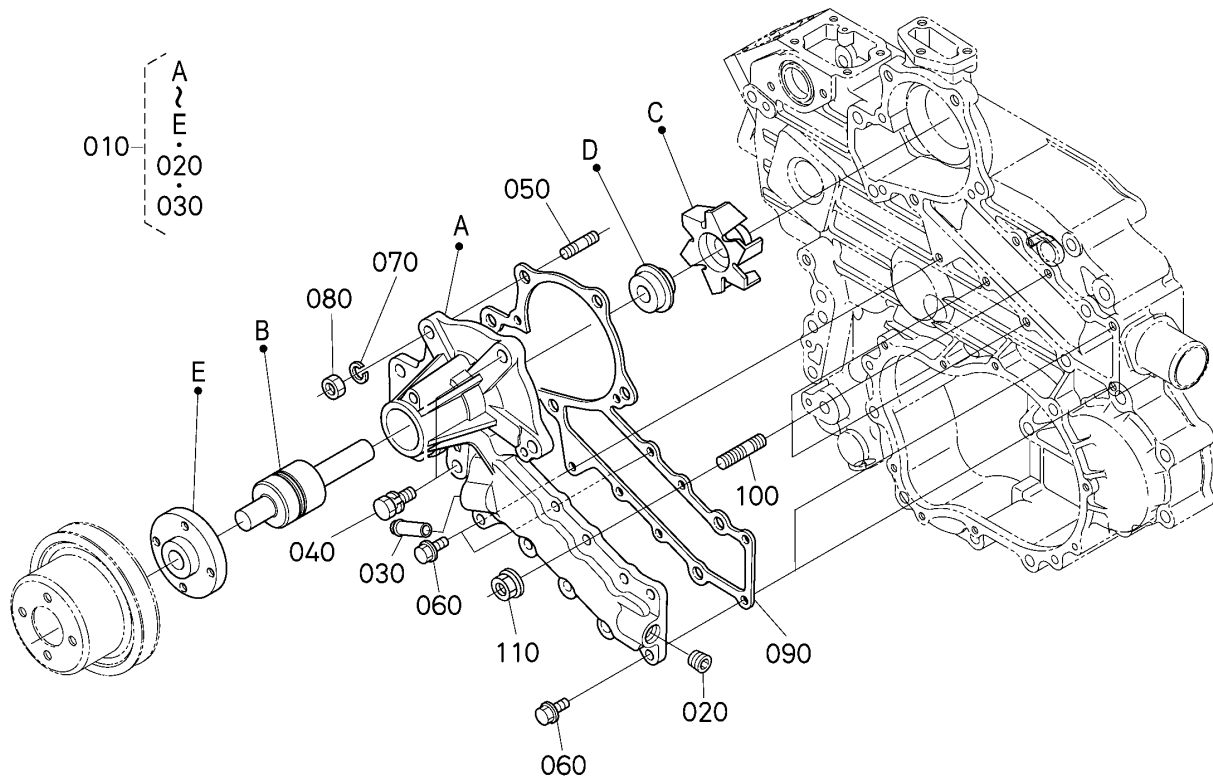
≡ Interchangeable

NI Not Interchangeable

>> New for Old

<< Old for New

No.	Part No.	Part Name	Qty	IC	Serial No./PIN	Remarks	Kg
130	15109-73360	BAND,PIPE	1				0.01
140	15321-73260	COVER(THERMOSTAT)	1				0.107
150	16221-73270	GASKET,THEMOSTAT	1				0.001
160	01123-50835	BOLT	2				0.02
170	1A021-73013	ASSY THERMOSTAT	1				0.079
180	5H601-41940	SENSOR,WATER TEMP.	1				0.03
190	04817-00100	O RING	1				0.001



EG542-080-11

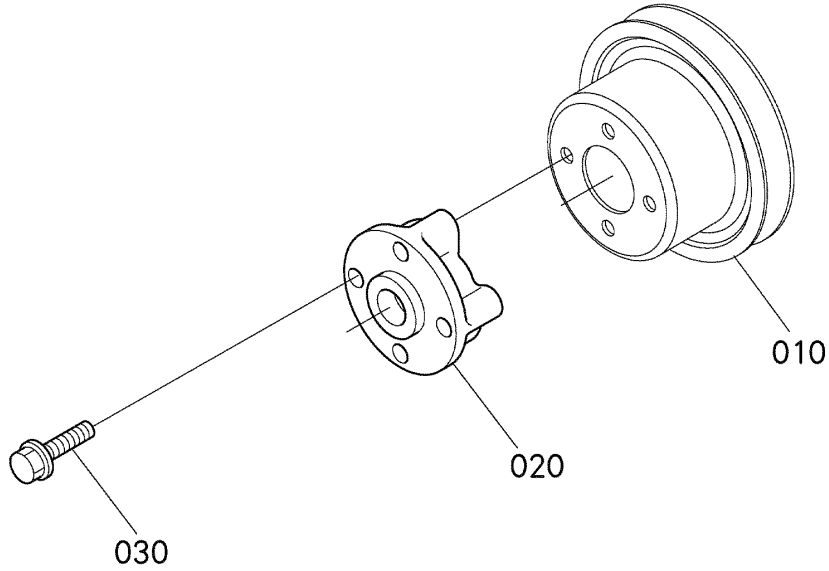
≡ Interchangeable

NI Not Interchangeable

>> New for Old

<< Old for New

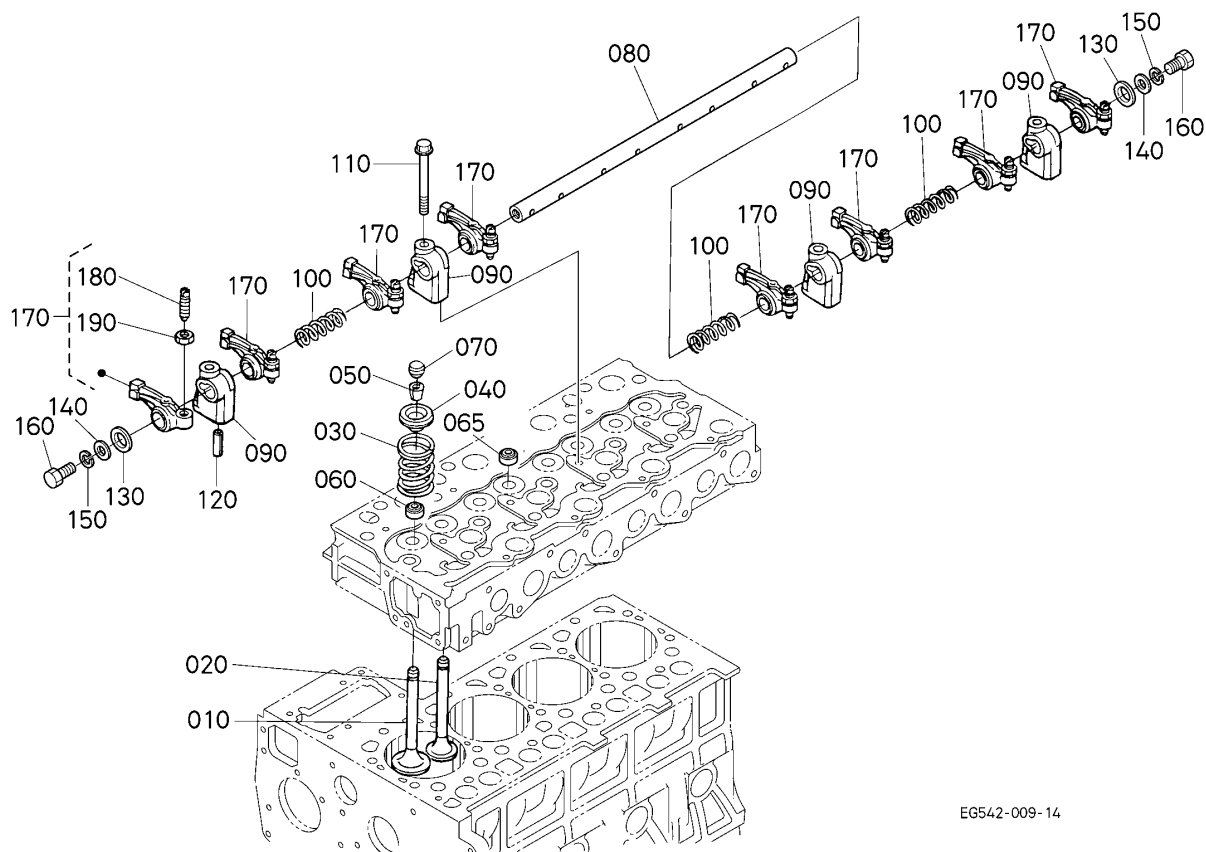
No.	Part No.	Part Name	Qty	IC	Serial No./PIN	Remarks	Kg
010	1E141-73035	ASSY PUMP,WATER	1				0.98
020	16241-96020	PLUG	1				0.015
030	16241-73370	PIPE,WATER RETURN	1				0.007
040	01123-50828	BOLT	2				0.014
050	01518-50822	STUD	1				0.012
060	01754-50616	BOLT,FLANGE	4				0.006
070	04512-50080	WASHER,SPRING LOCK	1				0.002
080	02156-50080	NUT	1				0.004
090	1K321-73430	GASKET,WATER PUMP	1				0.006
100	15221-88210	BOLT,STUD	3				0.005
110	02751-50060	NUT,FLANGE	3				0.005



EG542-069-11

≡ Interchangeable NI Not Interchangeable >> New for Old << Old for New

No.	Part No.	Part Name	Qty	IC	Serial No./PIN	Remarks	Kg
010	17351-74250	PULLEY,FAN	1		<=7NKZ999		0.26
010	TC403-74250	PULLEY,FAN	1	>>	>=7NL0001		0.26
020	1J416-74150	COLLAR,FAN	1				0.09
030	01754-50640	BOLT,FLANGE	4				0.009



EG542-009-14

≡ Interchangeable

NI Not Interchangeable

>> New for Old

<< Old for New

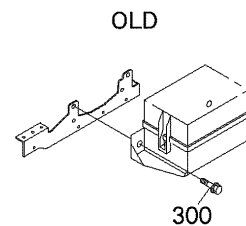
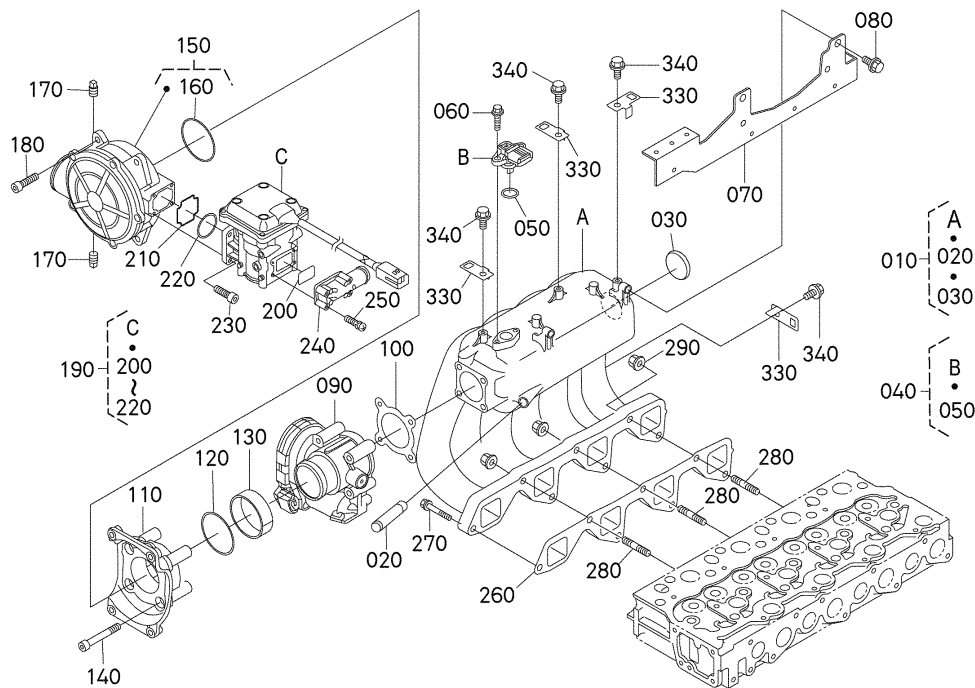
No.	Part No.	Part Name	Qty	IC	Serial No./PIN	Remarks	Kg
010	EG543-13110	VALVE,INLET	4				0.065
020	EG594-13120	VALVE(EXHAUST)	4				0.065
030	1G896-13240	SPRING,VALVE	8				0.04
040	15221-13330	RETAINER,VALVE SP.	8				0.028
050	15221-13980	COLLET,VALVE SPRING	8			SET	0.005
060	EG543-13150	SEAL(VALVE STEM,IN)	4				0.002
065	15221-13153	SEAL(VALVE STEM)	4				0.002
070	1G896-13280	CAP(VALVE)	8				0.005
080	1A091-14260	SHAFT(ROCKER ARM)	1				0.313
090	15221-14353	BRACKET,ROCKER ARM	4				0.044
100	15221-14310	SPRING(ARM,ROCKER)	3				0.005
110	01754-50855	BOLT,FLANGE	4				0.02

≡ Interchangeable NI Not Interchangeable >> New for Old << Old for New

No.	Part No.	Part Name	Qty	IC	Serial No./PIN	Remarks	Kg
120	05411-00528	SPRING PIN	1				0.003
130	15221-14430	WASHER,R.ARM SHAFT	2				0.002
140	04013-50080	WASHER,PLAIN	2				0.003
150	04512-50080	WASHER,SPRING LOCK	2				0.002
160	01153-50812	BOLT	2				0.008
170	15621-14030	ARM,ROCKER,ASSY	8				0.1
180	1G896-14230	SCREW	8				0.01
190	15021-14240	NUT	8				0.003

060100 INLET MANIFOLD ## WG2503-GL-E3-AHFT-1
WG2503-GL-E3-AHFT-1 ENGINE

Update Date: 2022/09/16
Printing Date: 2023/09/16



EG542-071-11

EG542-827-10

≡ Interchangeable

NI Not Interchangeable

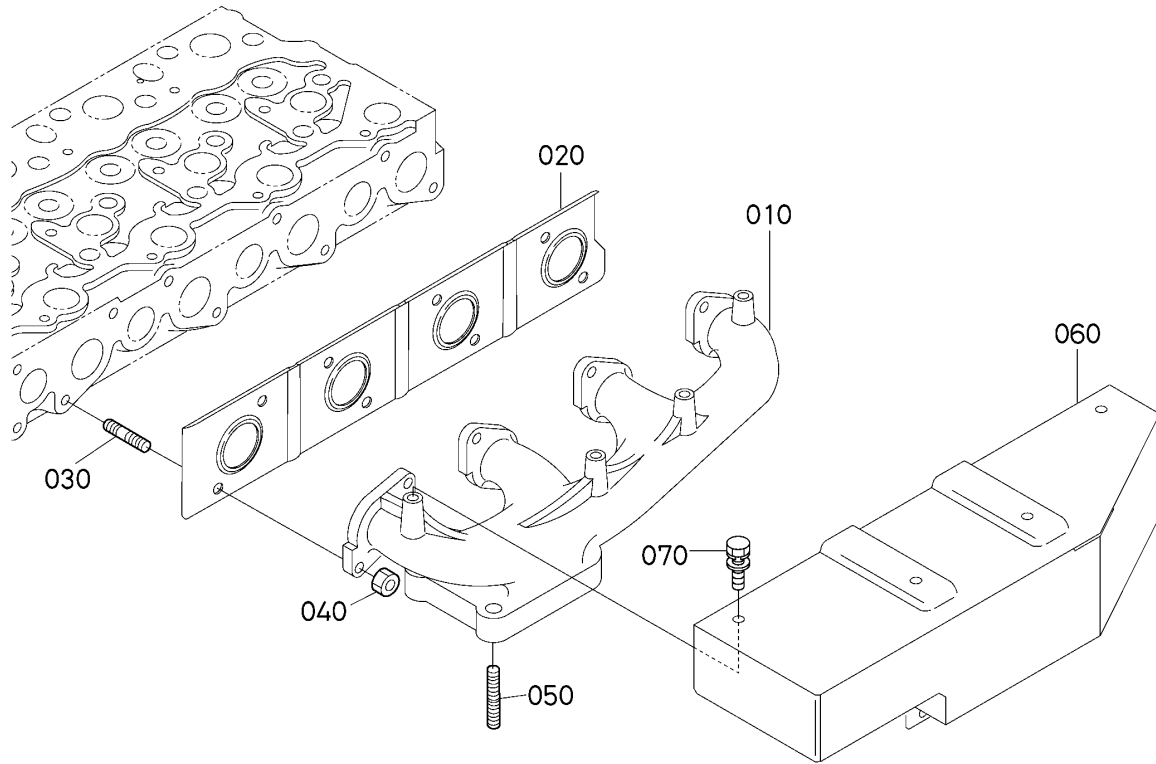
>> New for Old

<< Old for New

No.	Part No.	Part Name	Qty	IC	Serial No./PIN	Remarks	Kg
010	EG543-11813	MANIFOLD,COMP(INLET)	1				3.45
020	EG523-05550	JOINT(BREATHER TUBE)	1				0.017
030	15221-03490	CAP,SEALING	1				0.02
040	EG523-44800	SENSOR(TMAP)	1				0.019
050	EG523-96770	O-RING	1				0.001
060	EG523-91060	BOLT,FLANGE(M5-16)	2				0.004
070	EG541-65200	BRACKET(HARNESS)	1				0.325
080	01754-50816	BOLT,FLANGE	2				0.011
090	EG523-44000	BODY,THROTTLE,COMP	1				0.835
100	EG523-46110	GASKET(THROTTLE)	1				0.001
110	EG523-44910	ADAPTER	1				0.235
120	EG543-44920	O-RING	1				0.002
130	EG523-44930	SPACER	1				0.005
140	16394-91042	SCREW,HEX SOC CAP	4				0.02
150	EG543-44010	MIXER,ASSY	1				0.6

≡ Interchangeable NI Not Interchangeable >> New for Old << Old for New

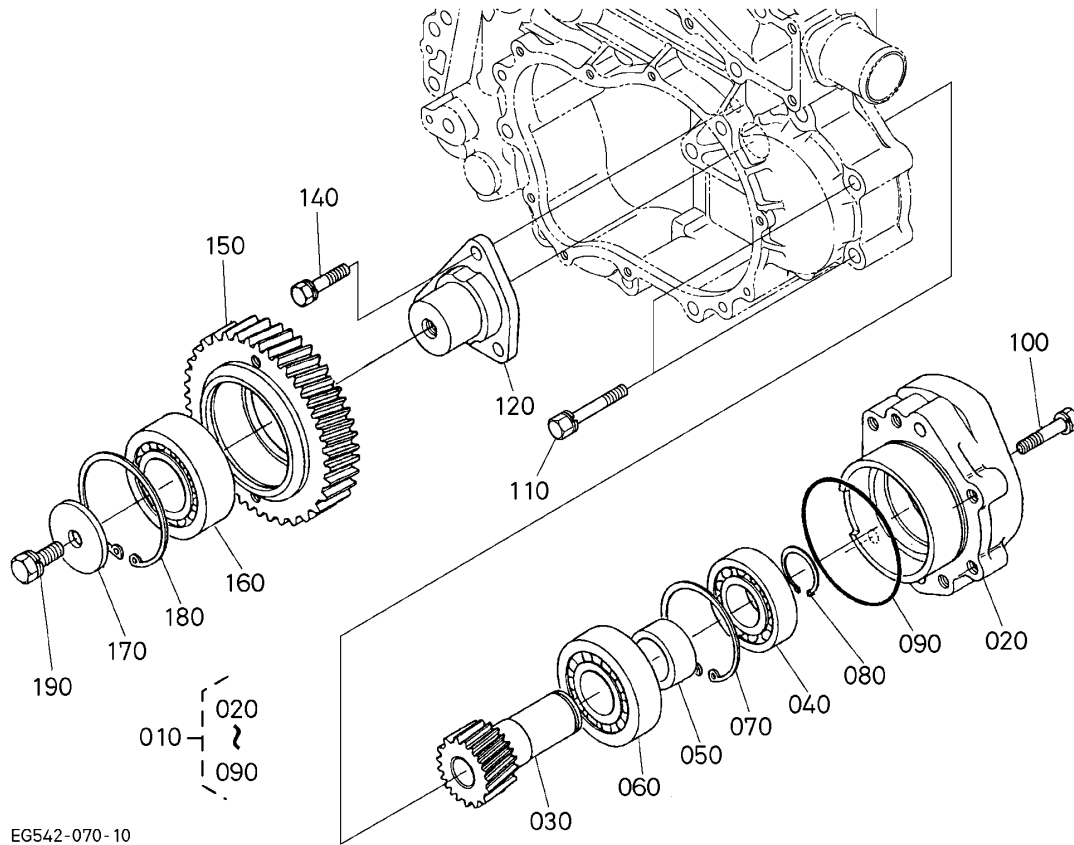
No.	Part No.	Part Name	Qty	IC	Serial No./PIN	Remarks	Kg
160	EG523-46990	RUBBER,SEALING(MIXER)	1				0.002
170	EG505-96040	PLUG	2				0.007
180	01311-10625	SCREW,HEX SOC CAP	4				0.006
190	EG523-46940	REGULATOR,ASSY(DEPR)	1		<=7LXZ999		0.815
190	EG523-46943	REGULATOR,ASSY(DEPR)	1	>>	>=7LY0001		0.815
200	EG523-46960	RUBBER,SEALING(D-EPR,1)	1				0.001
210	EG523-46970	RUBBER,SEALING(D-EPR,2)	1				0.001
220	EG523-46980	RUBBER,SEALING(D-EPR,3)	1				0.001
230	01350-10516	SCREW,HEX SOC CAP	4				0.005
240	EG523-44940	FLANGE(INLET)	1				0.031
250	03024-50425	SCREW,SEMS(PAN HEAD)	4				0.003
260	EG543-11820	GASKET(IN-MANIFOLD)	1				0.015
270	01754-50825	BOLT,FLANGE	4				0.01
280	01513-50830	STUD	3				0.014
290	02751-50080	NUT,FLANGE	3				0.006
300	01025-50625	BOLT	2		<=7MVZ999		0.01
330	EG523-65170	BRACKET(HARNESS 1)	4				0.008
340	01754-50612	BOLT,FLANGE	4				0.005



EG542-013-11

≡ Interchangeable NI Not Interchangeable >> New for Old << Old for New

No.	Part No.	Part Name	Qty	IC	Serial No./PIN	Remarks	Kg
010	EG543-12312	MANIFOLD(EXHAUST)	1				3.4
020	EG543-12350	GASKET(EX-MANIFOLD)	1				0.045
030	EG543-91490	STUD(M8X23)	8				0.01
040	02756-50080	NUT,UBS	8				0.01
050	1J500-91550	STUD	4				0.012
060	EG543-17340	COVER(EXHAUST)	1				0.68
070	01125-50816	BOLT	6				0.013

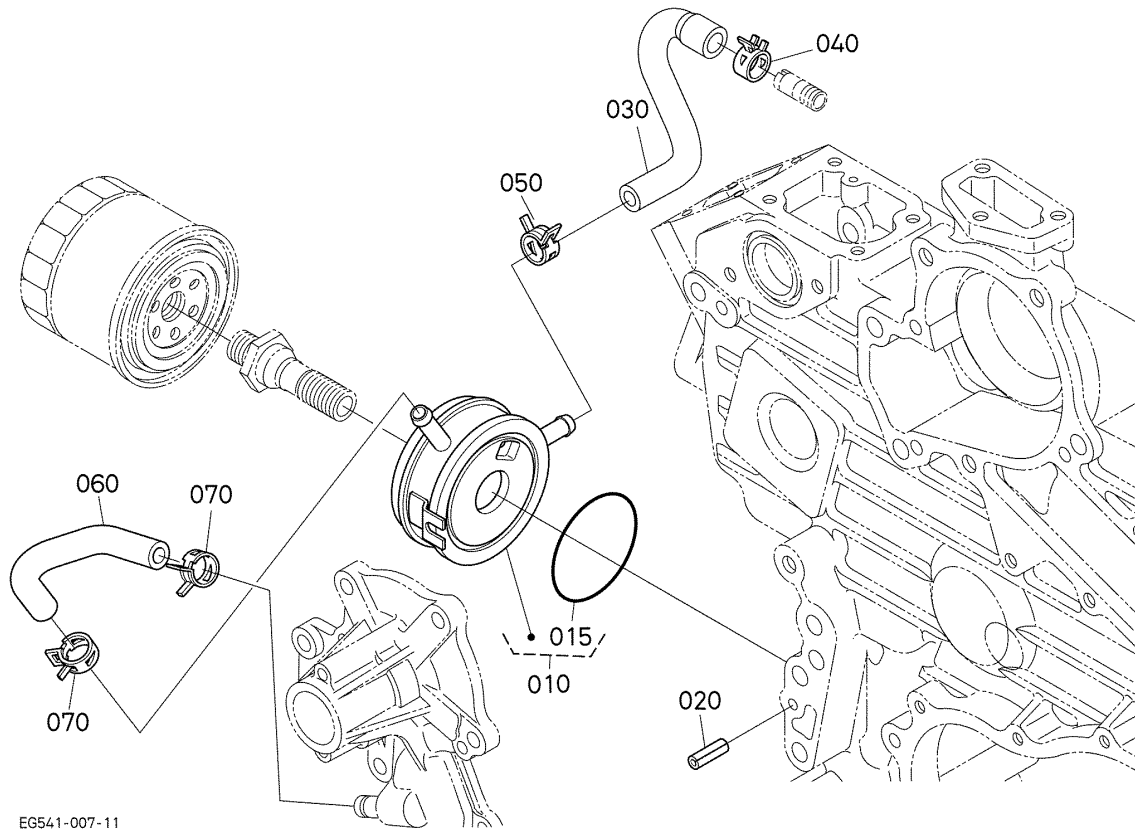


≡ Interchangeable NI Not Interchangeable >> New for Old << Old for New

No.	Part No.	Part Name	Qty	IC	Serial No./PIN	Remarks	Kg
010	1K371-83060	COMP BASE,O/P PUMP	1				3.2
020	15469-83130	BASE,HYD.PUMP	1				2.06
030	1E117-83180	SHAFT,PUMP DRIVE	1				0.49
040	36920-40030	BEARING,BALL	1				0.19
050	15469-83160	COLLAR	1				0.095
060	15469-26720	BEARING,ROLLER	1				0.37
070	04611-00620	CIR-CLIP,INTERNAL	1				0.011
080	04612-00300	CIR-CLIP,EXTERNAL	1				0.003
090	15469-96750	O RING	1				0.01
100	01123-50840	BOLT	1				0.018
110	01123-50850	BOLT	2				0.02
120	15469-83520	SHAFT,IDLE GEAR	1				0.61

≡ Interchangeable
 NI Not Interchangeable
 >> New for Old
 << Old for New

No.	Part No.	Part Name	Qty	IC	Serial No./PIN	Remarks	Kg
140	01123-50830	BOLT	3				0.015
150	1G607-83510	GEAR,IDLE	1				1.73
160	15478-26730	BEARING,BALL	1				0.485
170	15469-83540	COLLAR	1				0.04
180	15469-95470	CIR-CLIP,INTERNAL	1				0.025
190	01133-51025	BOLT	1				0.023



≡ Interchangeable

NI Not Interchangeable

>> New for Old

<< Old for New

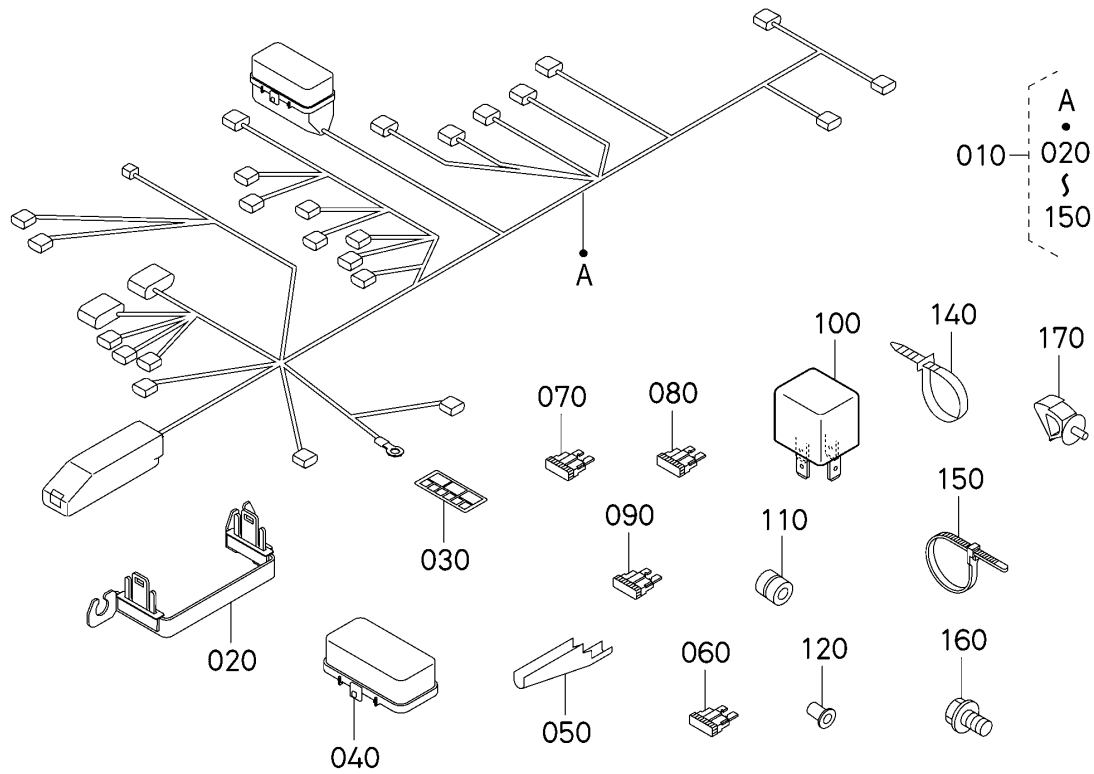
No.	Part No.	Part Name	Qty	IC	Serial No./PIN	Remarks	Kg
010	1G896-37012	COOLER,OIL,ASSY	1				0.55
015	1G896-37072	PACKING	1				0.005
020	05411-00620	ROLLER PIN	1				0.002
030	EG543-37150	HOSE(OIL COOLER)	1				0.03
040	09318-88180	BAND,HOSE	1				0.01
050	16241-73360	BAND,PIPE	1				0.003
060	1G730-37162	HOSE,OIL COOLER	1				0.03
070	09318-88150	CLAMPHOSE	2				0.004

080600 WIRE HARNESS ## WG2503-GL-E3-AHFT-1

S.No.<=7MVZ999 S.No.;<=7MVZ999
WG2503-GL-E3-AHFT-1 ENGINE

Update Date: 2022/09/16

Printing Date: 2023/09/16



EG543-078-11

≡ Interchangeable

NI Not Interchangeable

>> New for Old

<< Old for New

No.	Part No.	Part Name	Qty	IC	Serial No./PIN	Remarks	Kg
010	EG543-65540	HARNESS,WIRE,UNIT	1		<=7MVZ999		2.3
010	EG543-65542	HARNESS,WIRE,UNIT	1	NI	>=7MW0001	SEE FigNo.080601 RefNo.010	2.3
020	EG526-65220	BRACKET,COMP(FBOX)	1				0.07
030	EG526-87680	LABEL(FUSE,GL)	1				0.002
040	EG526-65420	COVER,COMP(FBOX,TOP)	1				0.05
050	EG526-65252	COVER(FUSE BOX,BOTTOM)	1				0.01
060	T1060-30430	FUSE,MINI(5A)	1			5A	0.005
070	T1060-30440	FUSE,MINI(10A)	2			10A	0.005
080	T1060-30450	FUSE,MINI(15A)	2			15A	0.005
090	T1060-30470	FUSE,MINI(30A)	1			30A	0.005
100	1J423-60233	RELAY	3				0.03
110	EG526-72190	RUBBER(CUSHION)	2				0.003

This content is the information at the time of publication on this site, information such as the part name and part number may be different from the present. Illustrations of products and parts that are posted are image diagrams.

a526292b-5483-4acf-8ca8-d85adbd66011 guo feng

080600 WIRE HARNESS ## WG2503-GL-E3-AHFT-1

S.No.<=7MVZ999 S.No.;<=7MVZ999
WG2503-GL-E3-AHFT-1 ENGINE

Update Date: 2022/09/16

Printing Date: 2023/09/16

≡ Interchangeable

NI Not Interchangeable

>> New for Old

<< Old for New

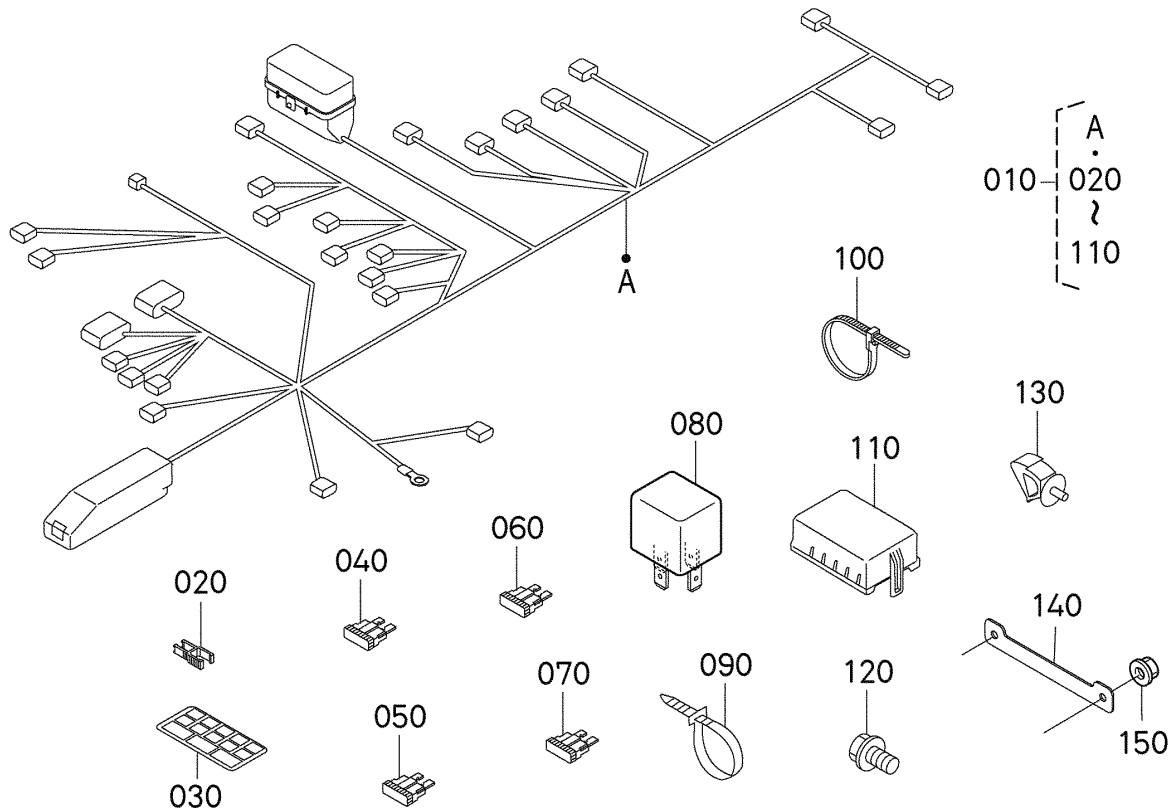
No.	Part No.	Part Name	Qty	IC	Serial No./PIN	Remarks	Kg
120	EG526-65320	SLEEVE	2				0.003
140	55311-41260	BAND,CORD	3				0.007
150	EG543-65340	BAND,CORD	2				0.001
160	01754-50610	BOLT,FLANGE	1				0.006
170	1J508-65390	CLAMP(WIRE)	1				0.003

080601 WIRE HARNESS ## WG2503-GL-E3-AHFT-1

S.No.>=7MW0001 S.No.;>=7MW0001
WG2503-GL-E3-AHFT-1 ENGINE

Update Date: 2022/09/16

Printing Date: 2023/09/16



EG543-104-10

≡ Interchangeable

NI Not Interchangeable

>> New for Old

<< Old for New

No.	Part No.	Part Name	Qty	IC	Serial No./PIN	Remarks	Kg
010	EG543-65542	HARNESS,WIRE,UNIT	1				2.3
020	EG554-61290	TOOL	1				0.001
030	EG543-87680	LABEL(FUSE,GL)	1				0.01
040	T1060-30430	FUSE,MINI(5A)	1		5A		0.005
050	T1060-30440	FUSE,MINI(10A)	2		10A		0.005
060	T1060-30450	FUSE,MINI(15A)	2		15A		0.005
070	T1060-30470	FUSE,MINI(30A)	1		30A		0.005
080	EG554-60230	RELAY	3				0.033
090	55311-41260	BAND,CORD	3				0.007
100	EG543-65340	BAND,CORD	2				0.001
110	EG554-65420	COVER,COMP(FBOX, TOP)	1				0.035
120	01754-50610	BOLT,FLANGE	1				0.006

080601 WIRE HARNESS ## WG2503-GL-E3-AHFT-1

S.No.>=7MW0001 S.No.;>=7MW0001
 WG2503-GL-E3-AHFT-1 ENGINE

Update Date: 2022/09/16

Printing Date: 2023/09/16

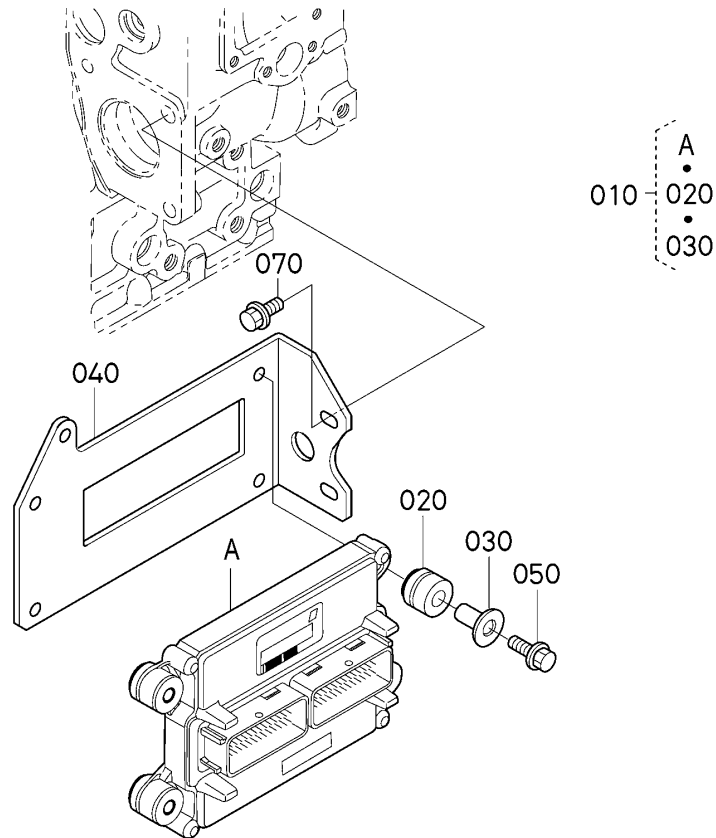
≡ Interchangeable

NI Not Interchangeable

>> New for Old

<< Old for New

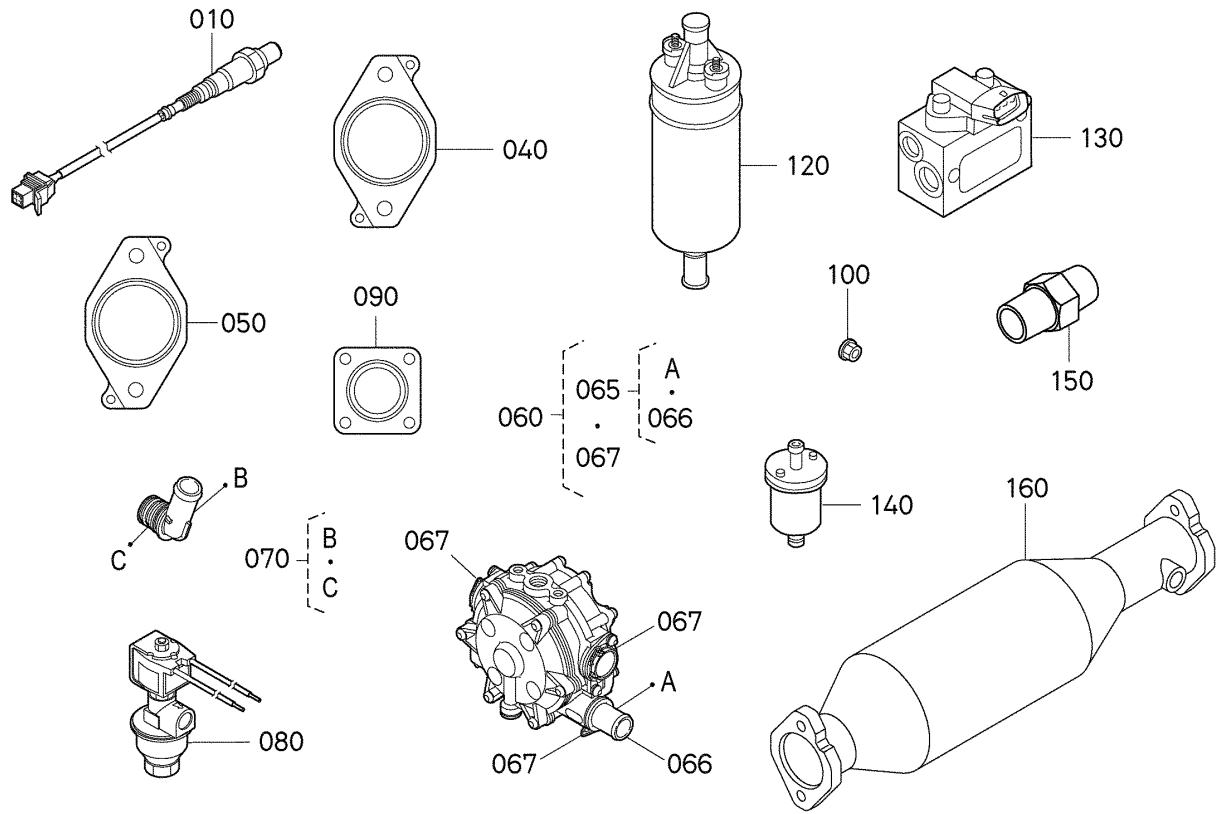
No.	Part No.	Part Name	Qty	IC	Serial No./PIN	Remarks	Kg
130	1J508-65390	CLAMP(WIRE)	1				0.003
140	EG554-65220	PLATE	1				0.027
150	02751-50060	NUT,FLANGE	2				0.005



EG543-076-10

≡ Interchangeable NI Not Interchangeable >> New for Old << Old for New

No.	Part No.	Part Name	Qty	IC	Serial No./PIN	Remarks	Kg
010	EH321-60202	ECU,ASSY(25AHFT-GL)	1		<=7LVZ999	ORDER BY REF.No.010 NEW PART.	0.0
010	EH321-60203	ECU,ASSY(25AHFT-GL)	1	>>	>=7LW0001		0.0
020	EG523-68160	RUBBER(CUSHION)	4				0.006
030	EG523-68150	SPACER(ECU)	4				0.014
040	EG543-68200	STAY(ECU)	1				0.445
050	01754-50635	BOLT,FLANGE	4				0.01
070	01754-50610	BOLT,FLANGE	3				0.006



EG543-077-12

≡ Interchangeable

NI Not Interchangeable

>> New for Old

<< Old for New

No.	Part No.	Part Name	Qty	IC	Serial No./PIN	Remarks	Kg
010	EG523-12240	SENSOR(O2)	2				0.1
040	EG523-12370	GASKET(MUFFLER,1)	1				0.016
050	EG523-12380	GASKET(MUFFLER,2)	1				0.02
060	EG523-46923	REGULATOR,ASSY	1				1.06
065	EG525-46990	CONNECTOR,ASSY(VAPORIZER,2)	1				0.009
066	EG525-96780	O-RING	2				0.001
067	EG525-46950	CLIP	3				0.001
070	EG525-46960	CONNECTOR,ASSY(VAPORIZER)	2				0.01
080	EG523-46950	VALVE(LOCKOFF)	1				0.42
090	EG543-12230	GASKET(MUFFLER)	1				0.015
100	02756-50080	NUT,UBS	4				0.01
120	EG522-52020	PUMP(FUEL)	1				0.718

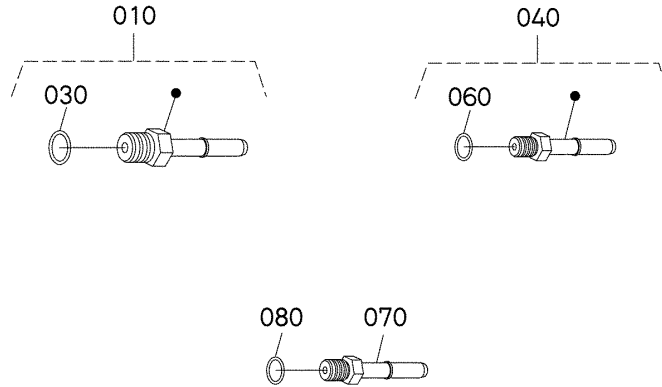
≡ Interchangeable

NI Not Interchangeable

>> New for Old

<< Old for New

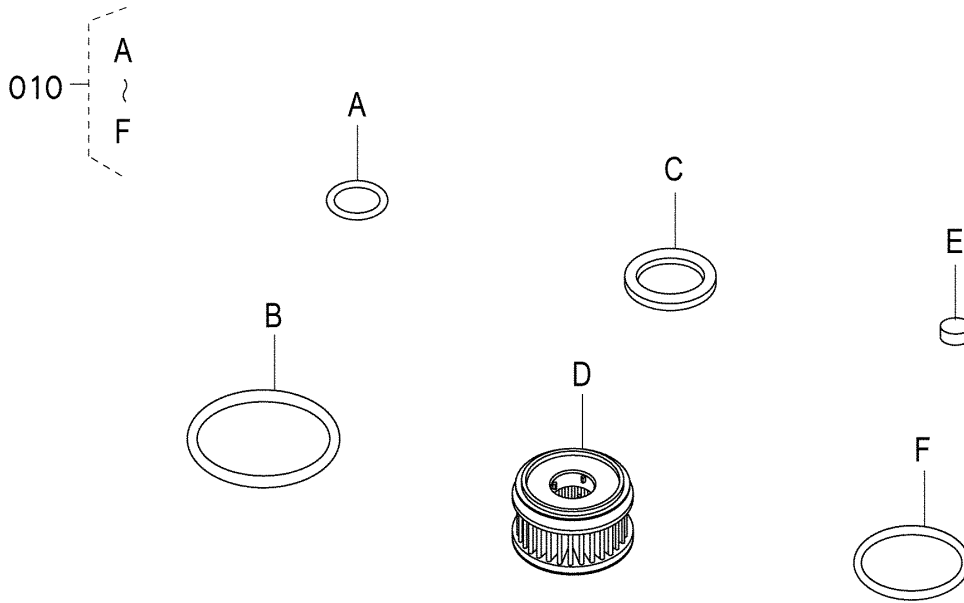
No.	Part No.	Part Name	Qty	IC	Serial No./PIN	Remarks	Kg
130	EG522-52070	MANIFOLD(FPM)	1				0.39
140	12581-43012	ASSY FILTER,FUEL	1				0.034
150	EG543-91010	JOINT,STR PIPE	2				0.033
160	EG543-12120	CONVERTER,COMP	1				3.5



EG522-085-10

≡ Interchangeable NI Not Interchangeable >> New for Old << Old for New

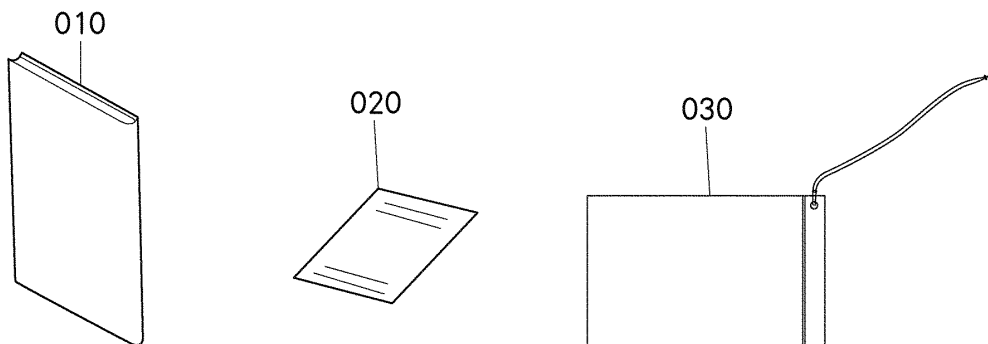
No.	Part No.	Part Name	Qty	IC	Serial No./PIN	Remarks	Kg
010	EG526-42600	JOINT	2				0.035
030	EG526-52240	O-RING	2				0.001
040	EG526-42610	JOINT	1				0.02
060	EG526-52250	O-RING	1				0.001
070	EG526-42822	JOINT	1				0.018
080	04724-00100	GASKET	1				0.001



EG505-067-11

= Interchangeable
NI Not Interchangeable
>> New for Old
<< Old for New

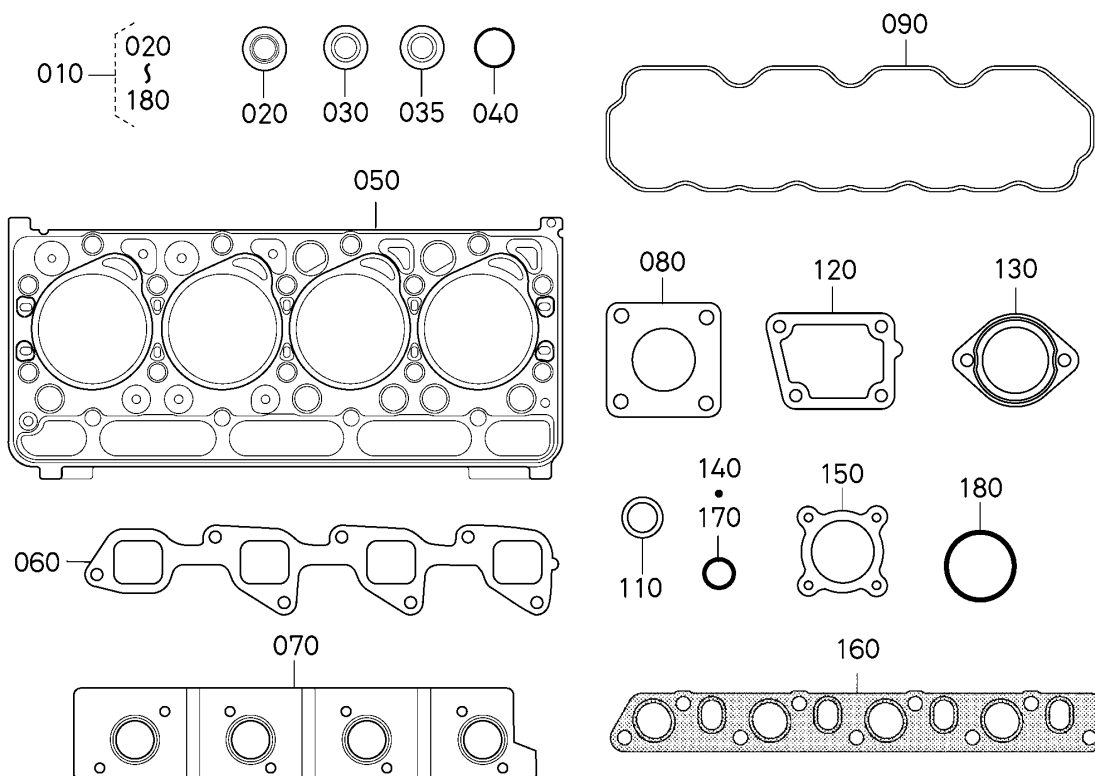
No.	Part No.	Part Name	Qty	IC	Serial No./PIN	Remarks	Kg
010	EG542-99760	VALVE(LOCKOFF),KIT	1				0.011



EG508-019-16

≡ Interchangeable NI Not Interchangeable >> New for Old << Old for New

No.	Part No.	Part Name	Qty	IC	Serial No./PIN	Remarks	Kg
010	EG523-89173	MANUAL,OP	1		<=7KKZ999		0.338
010	EG523-89174	MANUAL,OP	1	>>	>=7KL0001		0.338
010	EG523-89175	MANUAL,OP	1	>>	>=7KY0001		0.338
010	EG523-89176	MANUAL,OP	1	>>	>=7LU0001		0.338
020	EG019-89820	MANUAL,INST	1		<=7KZZ999		0.006
020	EG020-89820	MANUAL,INST	1	NI	>=7LA0001		0.0
020	EG021-89820	MANUAL,INST	1	NI	>=7MA0001		0.0
020	EG022-89820	MANUAL,INST	1	NI	>=7NA0001		0.004
030	1J500-08180	BAG,PLASTIC	1				0.005



EG543-053-13

≡ Interchangeable

NI Not Interchangeable

>> New for Old

<< Old for New

No.	Part No.	Part Name	Qty	IC	Serial No./PIN	Remarks	Kg
010	EG543-99353	GASKET,KIT(UPPER)	1				0.59
020	04717-01000	WASHER,SEAL	1				0.001
030	15221-13153	SEAL(VALVE STEM)	4				0.002
035	EG543-13150	SEAL(VALVE STEM,IN)	4				0.002
040	04817-50300	O RING	1				0.001
050	1G790-03632	GASKET,CYL.HEAD	1			1.35mm	0.33
060	EG543-11820	GASKET(IN-MANIFOLD)	1				0.015
070	EG543-12350	GASKET(EX-MANIFOLD)	1				0.045
080	EG543-12230	GASKET(MUFFLER)	1				0.015
090	1G911-14523	GASKET,HEAD COVER	1				0.025
110	04724-00160	PACKING	1				0.003
120	1A021-72920	GASKET(FLANGE,WATER)	1				0.002

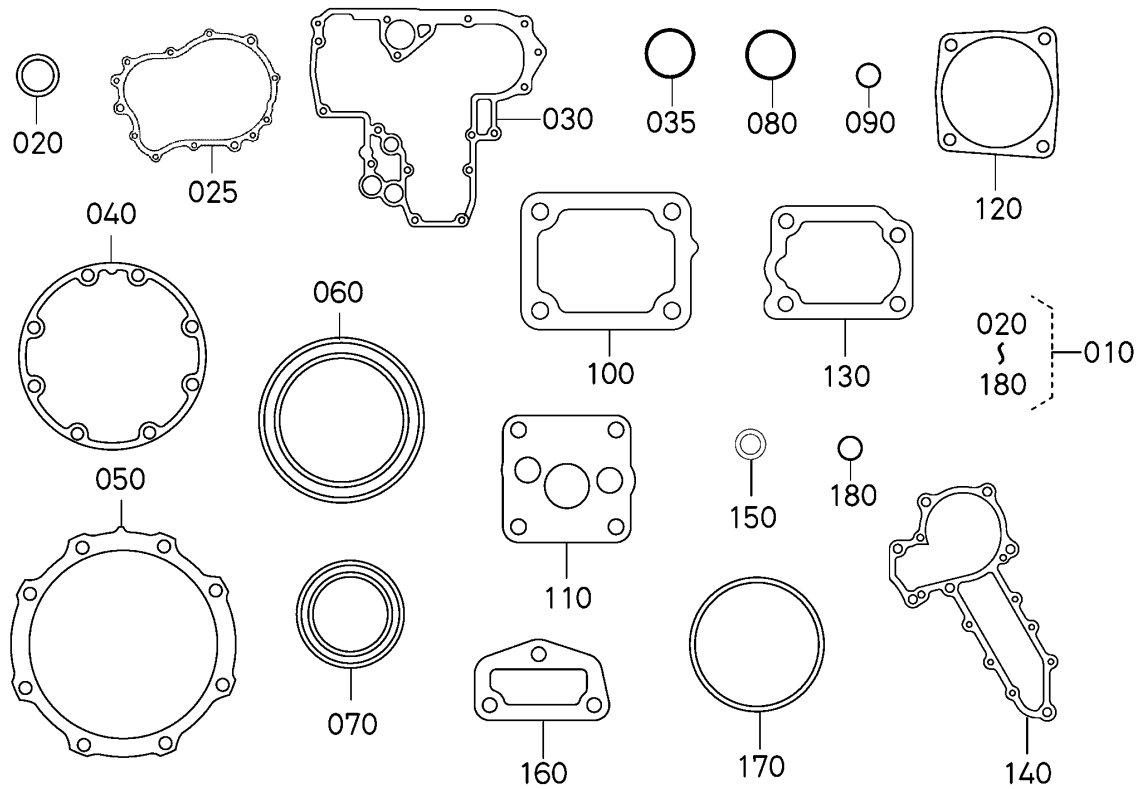
≡ Interchangeable

NI Not Interchangeable

>> New for Old

<< Old for New

No.	Part No.	Part Name	Qty	IC	Serial No./PIN	Remarks	Kg
130	16221-73270	GASKET,THEMOSTAT	1				0.001
140	04817-00100	O RING	1				0.001
150	EG523-46110	GASKET(THROTTLE)	1				0.001
160	EG543-45050	GASKET(FLANGE)	1				0.027
170	EG523-96770	O-RING	1				0.001
180	EG543-44920	O-RING	1				0.002



EG542-053-11

≡ Interchangeable

NI Not Interchangeable

>> New for Old

<< Old for New

No.	Part No.	Part Name	Qty	IC	Serial No./PIN	Remarks	Kg
010	EG541-99363	GASKET,KIT(LOWER)	1				0.3
020	15451-96670	PACKING	2				0.003
025	1J465-04130	GASKET,GEAR CASE	1				0.025
030	17154-04170	GASKET,GEAR CASE	1				0.006
035	04814-06310	O RING	1				0.002
040	1A091-04362	GASKET,BEARING CASE	1				0.029
050	1A091-04820	GASKET,CASE COVER	1				0.009
060	16433-04460	SEAL,OIL	1				0.063
070	1G896-04140	SEAL,OIL	1				0.025
080	04811-10300	O RING	1				0.001
090	04817-00160	O RING	1				0.001
100	1A021-51663	GASKET, PUMP COVER	1				0.003

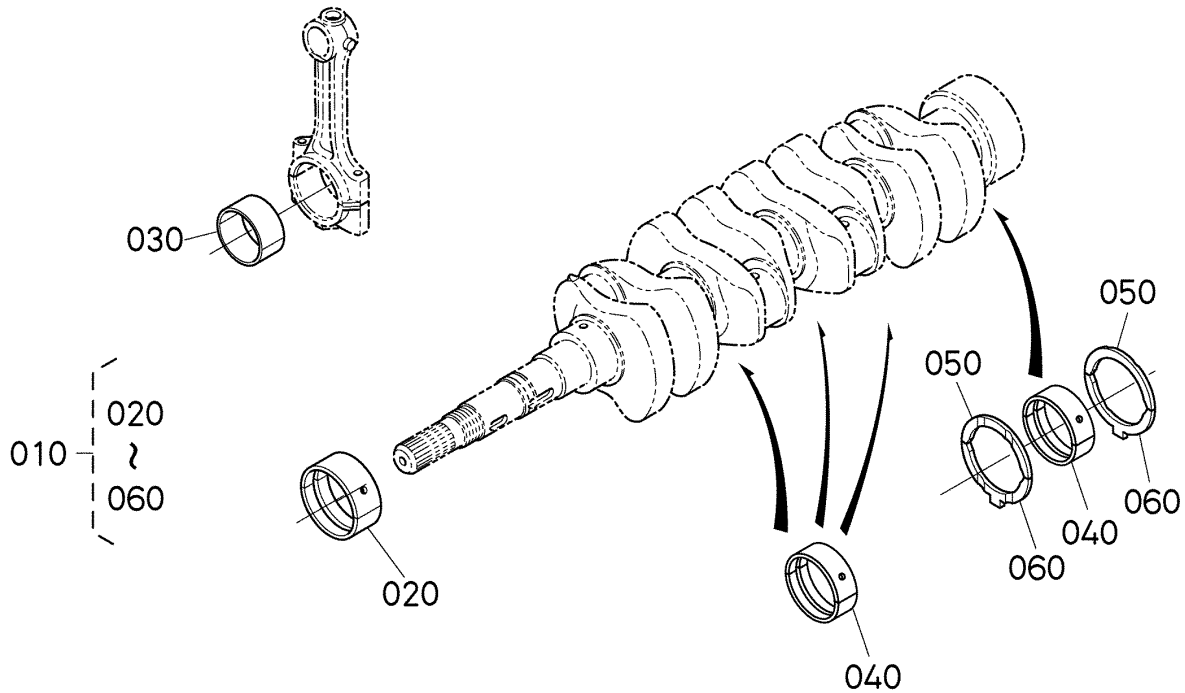
≡ Interchangeable

NI Not Interchangeable

>> New for Old

<< Old for New

No.	Part No.	Part Name	Qty	IC	Serial No./PIN	Remarks	Kg
110	1A021-35150	GASKET,OIL PUMP	1				0.001
120	1G492-16220	GASKET	1				0.004
130	1J866-57210	GASKET	2				0.002
140	1K321-73430	GASKET,WATER PUMP	1				0.006
150	15601-96650	PACKING	1				0.001
160	1A021-73332	GASKET(RETURN FLANGE)	1				0.001
170	1G896-37072	PACKING	1				0.005
180	04814-00090	O RING	1				0.001



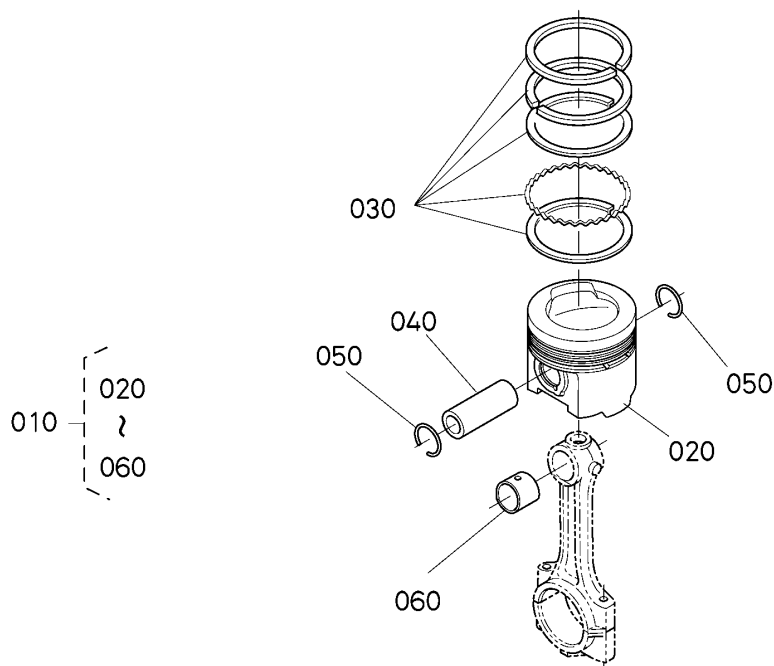
EG542-021-10

≡ Interchangeable NI Not Interchangeable >> New for Old << Old for New

No.	Part No.	Part Name	Qty	IC	Serial No./PIN	Remarks	Kg
010	1G856-23752	KIT METAL,ENGINE	1			STD	0.71
010	1G856-23760	KIT METAL,ENGINE	1			-0.20mm/+0.20mm	0.83
010	1G856-23770	KIT METAL,ENGINE	1			-0.40mm/+0.40mm	0.8
020	1A091-23472	METAL,CRANKSHAFT	1			STD	0.062
020	1A091-23910	METAL,CRANKSHAFT	1			-0.20mm	0.065
020	1A091-23920	METAL,CRANKSHAFT	1			-0.40mm	0.065
030	17311-22312	METAL,CRANKPIN	8			STD/SET	0.045
030	17311-22970	METAL(CRANKPIN,02)	8			-0.20mm/SET	0.05
030	17311-22980	METAL(CRANKPIN,04)	8			-0.40mm/SET	0.045
040	1A091-23482	METAL,CRANKSHAFT	8			STD/SET	0.05
040	1A091-23930	METAL,CRANKSHAFT	8			-0.20mm/SET	0.06
040	1A091-23940	METAL,CRANKSHAFT	8			-0.40mm/SET	0.065

≡ Interchangeable NI Not Interchangeable >> New for Old << Old for New

No.	Part No.	Part Name	Qty	IC	Serial No./PIN	Remarks	Kg
050	1A091-23532	METAL,SIDE	2			STD	0.009
050	1A091-23950	METAL,SIDE	2			+0.20mm	0.005
050	1A091-23960	METAL,SIDE	2			+0.40mm	0.005
060	1A091-23542	METAL,SIDE	2			STD	0.009
060	1A091-23970	METAL,SIDE	2			+0.20mm	0.005
060	1A091-23980	METAL,SIDE	2			+0.40mm	0.005



EG542-020-12

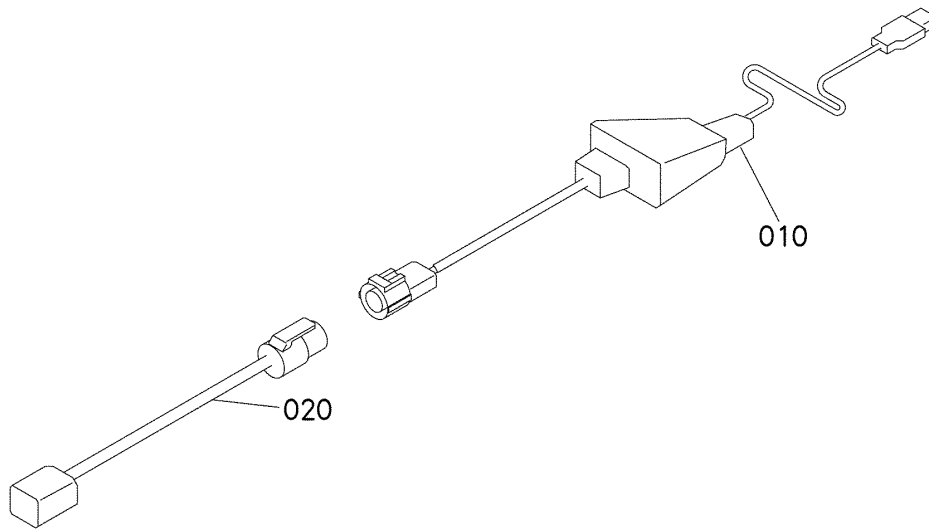
≡ Interchangeable

NI Not Interchangeable

>> New for Old

<< Old for New

No.	Part No.	Part Name	Qty	IC	Serial No./PIN	Remarks	Kg
010	EG547-21770	PISTON,KIT(STD)	4			STD	0.7
010	EG547-21780	PISTON,KIT(025)	4			+0.25mm	0.7
020	EG547-21110	PISTON	4			STD	0.39
020	EG547-21900	PISTON(025)	4			+0.25mm	0.42
030	EG543-21052	RING,PISTON,ASSY	4			STD	0.05
030	EG543-21092	RING,PISTON,ASSY(025)	4			+0.25mm	0.045
040	1A021-21310	PISTON PIN	4				0.165
050	1G279-21330	CIR CLIP,INTERNAL	8				0.004
060	17331-21982	BUSH,PISTON PIN	4				0.025



EG823-011-10

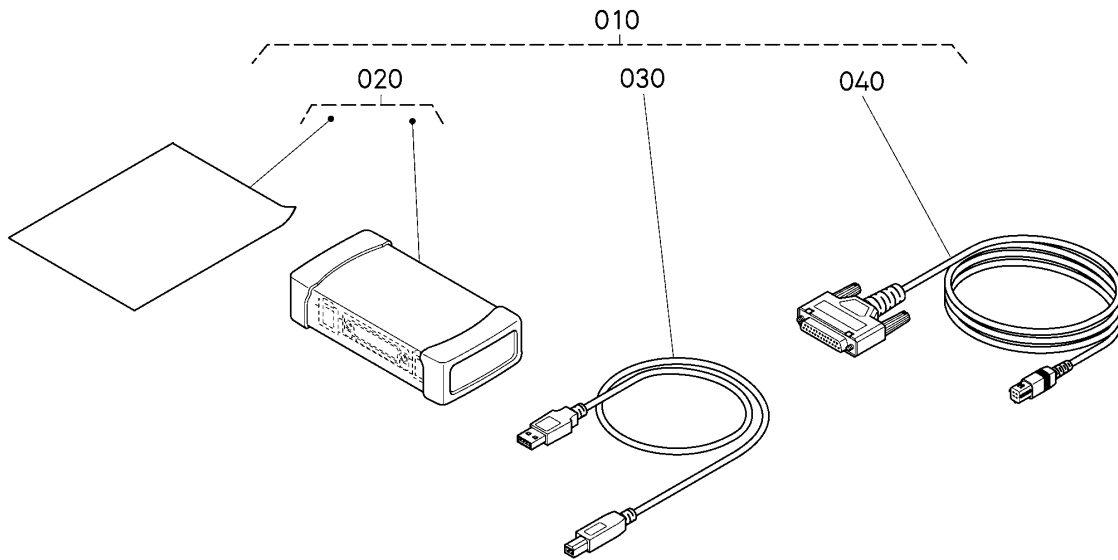
≡ Interchangeable

NI Not Interchangeable

>> New for Old

<< Old for New

No.	Part No.	Part Name	Qty	IC	Serial No./PIN	Remarks	Kg
010	EG523-90062	CABLE,ASSY	1				0.4
020	EG526-90320	ADAPTER(ECOM)	1				0.04



EG522-156-14

≡ Interchangeable NI Not Interchangeable >> New for Old << Old for New

No.	Part No.	Part Name	Qty	IC	Serial No./PIN	Remarks	Kg
010	----	TOOL,DIAGNOSIS,KIT	1				0.0
020	1J423-90202	INTERFACE,ASSY	1		<=7LMZ999		0.37
020	1J423-90203	INTERFACE,ASSY	1	>>	>=7LN0001		0.37
030	1J423-90310	CABLE,UBS	1				0.125
040	1J423-90320	CABLE,VEH	1				0.55