
EKKO[®]
MATERIAL HANDLING EQUIPMENT
MOVING AHEAD



Liquefied Gas Single Fuel Hydraulic Forklift 6000LB
EK30LP Parts Manual

Contents

前 言.....	1
FOREWORD.....	2
零件图册说明.....	3
INSTRUCTION FOR PARTS MANUAL.....	4

FOREWORD

The manual is an integral part of the truck. Please keep it and other technical documents well during the life cycle of the truck and operate the truck according to instruction.

We reserve the right to modify the catalogue for improvement without notice.

INSTRUCTION FOR PARTS MANUAL

Abbreviations in the CATALOGUE:

ASS'Y	Assembly
R.H.	Right
L.H.	Left
H.P.	High pressure
L.P.	Low pressure
M	Basic type
ZM	Two-stage free lifting
ZSM	Three-stage free lifting
ZFM	Four-stage free lifting
AR	As required

Terms instructions:

Metric: Parts made for common forklift trucks markets

SAE: Special parts made for the forklift trucks exported to US and Canada

Signs instructions:

☆	It means when you purchasing this part, please consult local dealer/agent.
Figure number with "DB"	It is for the package sold as a unit, It is for selling as a unit.
Steering axle assembly with "-X"	It refers to steering axle without cushions and support bracket.
Figure number of filter with "X"	It refers to the filter core of the filter.
Figure number with "XLB"	It refers to the repair kits for the part.

EK30LP series 6000LB liquefied gas single fuel hydraulic forklift

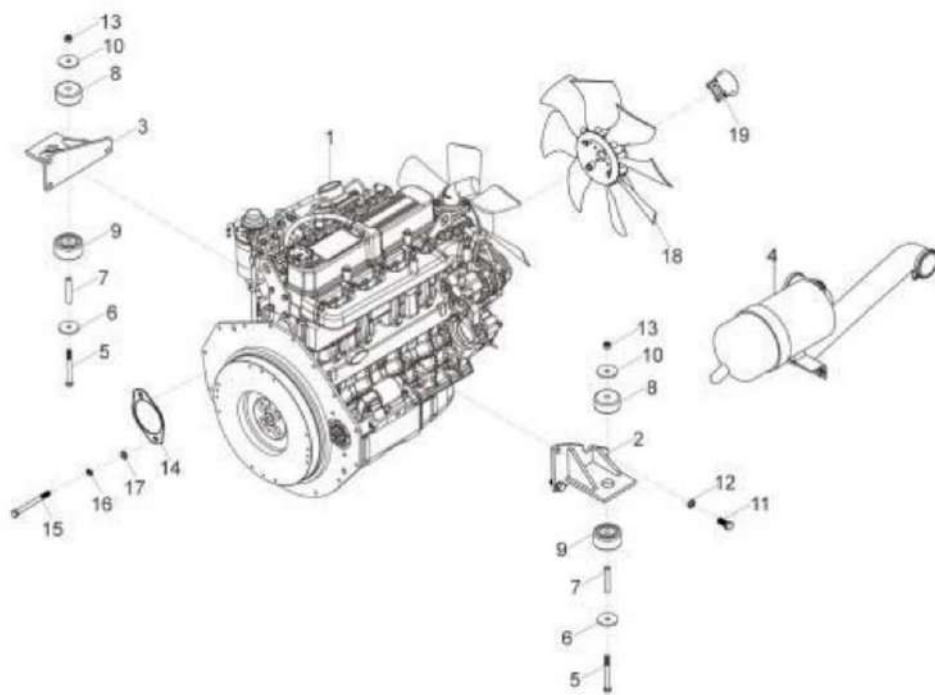
系列 液化气单燃料液力叉车						
No.	Part No.	Edition	Part name	Q'ty	Remark	
1	HRK0JW1001	00	Engine setting	发动机安装	1	
2	K0JW2-10001	00	Cooling system	冷却系统	1	
3	HRK0JW2301	00	Exhaust system	排气系统	1	
4	H2MS2-20021	07	LPG system	液化气系统	1	
5	HRK0JW2401	00	Electrical system	电气系统	1	
6	H25S3-80501	08	Transmission unit(electric-hydraulic)	传动装置(电液换向)	1	
7	H2MD3-80011	02	Elastic plate assembly	弹性板组件	1	
8	H9FL3-00001	04	3T integral hub drive axle assembly	3T 整体式轮毂驱动桥总成	1	
9	HRK9FL4401	00	Wheel	车轮	1	Single tyre 单胎
10	HRK9FL4402	00	Drive wheel (double tires)	双胎前轮	1	Double tyre 双胎
11	GY2Y4-30001	02	Rear wheel	后轮总成	1	
12	K2TJ4-10001	03	Steering system	转向系统	1	
13	K2TJ4-30011	01	Steering axle	转向桥总成	1	
14	K9TK5-20001	01	Electronic throttle control system	电子油门操纵系统	1	
15	REF104804G	05	Inching pedal	行车制动与微动操纵装置	1	
16	HRK2TJ5501	00	Brake lever	停车制动装置	1	
17	K2TJ6-10021	00	Frame	车架(二)	1	
18	HRKM226301	01	Counter weight mount	平衡重安装	1	
19	H2LD6-10201	03	Counter weight shield assembly	平衡重防护网总成	1	Optional 选配
20	K2TJ6-40001	13	Hood	机罩类	1	
21	HRK9FL6501	01	Floor class	底板类	1	
22	H2KE6-80133TD	00	Hean half surround,whole suspension seat	和安半包围全悬浮座椅	1	
23	K2TJ7-60011	11	Hydraulic pipeline system	液压管路系统	1	
24	HRKM917401-1	05	Valve control linkage((two piece valve))	阀操纵总成(二片阀)	1	Two piece valve 二片阀
25	HRKM917401-2	05	Valve control linkage((three piece valve))	阀操纵总成(三片阀)	1	Three piece valve 三片阀
26	HRKM917401-3	05	Valve control linkage((four piece valve))	阀操纵总成(四片阀)	1	Four piece valve 四片阀
27	HRKM917401-4	05	Valve control linkage	阀操纵总成(五片阀)	1	Five piece valve 五片阀
28	K0JW5-10001	00	Roof guard assembly	护顶架总成	1	
29	H2MD5-11001	03	Backup,mirror	后视镜安装总成	1	

EK30LP series 6000LB liquefied gas single fuel hydraulic forklift

系列 液化气单燃料液力叉车							
No.	Part No.	Edition	Part name		Q'ty	Remark	
30	H2MD5-10011	02	Fire extinguisher setting	灭火器安装	1	Optional	选配
31	HRK9EL5701	09	K2 series 2-3.5T cab	K2 系列 2-3.5t 驾驶室	1	Optional	选配
32	HRK9EL5901	03	Wind-shield equipments	K2 系列 2-3.5t 挡风类	1	Optional	选配
33	HRD9FL8001	03	3T Lifting system	3T 起重系统(M)	1	Normal mast	基本型
34	HRDK3H8001	03	3T Lifting system	起重系统 3T (ZM)	1	Full free 2-stage mast	二级全自由
35	HRDK3P8001	07	3T Lifting system	起重系统 3T (ZSM)	1	Full free 3-stage mast	三级全自由
36	HRD9FL8501	04	Tilt cylinder	倾斜油缸	1		
37	HRD28B8101	05	3T Fork	3T 货叉总成	2		
38	K2TJ9-10001	06	Decal	标牌油漆布置图	1		
39	A2YQ0-01001	02	Plate	标牌说明图(出口)	1		
40	HRD9FL8701	05	Hose pulley block	胶管滑轮组(起重 M 公制)	1	Normal mast, Metric	基本型, 公制
41	HRDK3H8701	07	Hose pulley block (ZM, Metric)	胶管滑轮组 公制 (ZM)	1	Full free 2-stage mast, Metric	二级全自由, 公制
42	HRDK3P8701	12	Hose pulley block	胶管滑轮组(起重 ZSM 公制)	1	Full free 3-stage mast, Metric	三级全自由, 公制

HRK0JW1001 00 Engine setting

HRK0JW1001 00 发动机安装



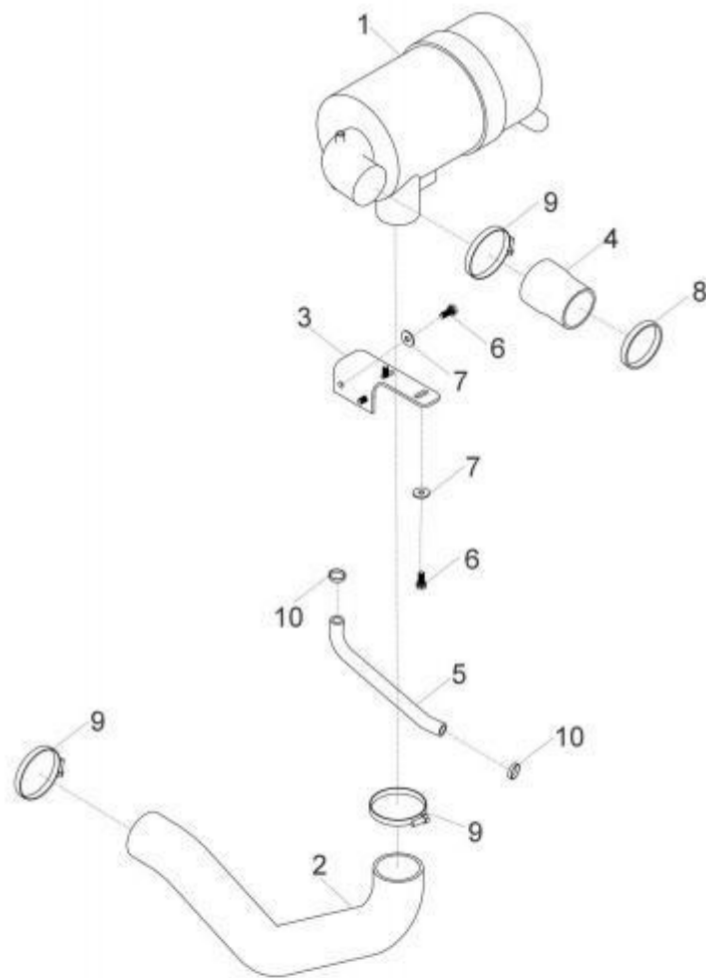
HRK0JW1001 00 Engine setting

HRK0JW1001 00 发动机安装

序号 No.	零部件代号 Part No.	版本 Edition	名称 Part name		数量 Q'ty	备注 Remark	
1	H2MS1-00101	00	Kubota wg2503 dual fuel engine	久保田 WG2503 双燃料发动机(认证型)	1		
1	HYK21-00101	01	Kubota wg2503 single fuel engine	久保田 WG2503 单燃料发动机(认证型)	1		
2	GM261-00301	00	Bracket	右发动机支脚	1		
3	GM261-00201	00	Bracket	左发动机支脚	1		
4	K0JW1-00401	00	Air cleaner setting	空滤器安装	1		
5	B0230-10100	00	Bolt M10x100	螺栓 M10x100	2	GB5782-86	GB5782-86
6	23651-02001	01	Washer	垫片	2		
7	22671-02001	00	Spacer	套管	2		
8	HN231-02021	02	Rubber	橡胶垫	2		
9	HN231-02011	02	Rubber	橡胶垫	2		
10	A22A1-02041	02	Washer	垫圈	2		
11	B0530-12025	00	Bolt M12x1.25x25	螺栓 M12x1.25x25	6	GB5786-86	GB5786-86
12	B5050-00012	00	Washer	垫圈 12	6	GB93-87	GB93-87
13	B4023-00010	00	Nut	防松螺母 M10	2	GB6184-86	GB6184-86
14	23657-12001	04	Gear pump pad	齿轮泵垫	1		
15	B0430-10110	00	Bolt M10x1.25x110	螺栓 M10x1.25x110	2	GB5785-86	GB5785-86
16	B5050-00010	00	Washer	垫圈 10	2	GB93-87	GB93-87
17	B5310-00010	00	Washer	垫圈 10	2	GB97.1-85	GB97.1-85
18	H2MS1-00401	00	Fan	温帆风扇 400	1		
19	15449-74152	00	Fan shaft ring	风扇轴环(厚度 40mm)	1		

K0JW1-00401 00 Air cleaner setting

K0JW1-00401 00 空滤器安装



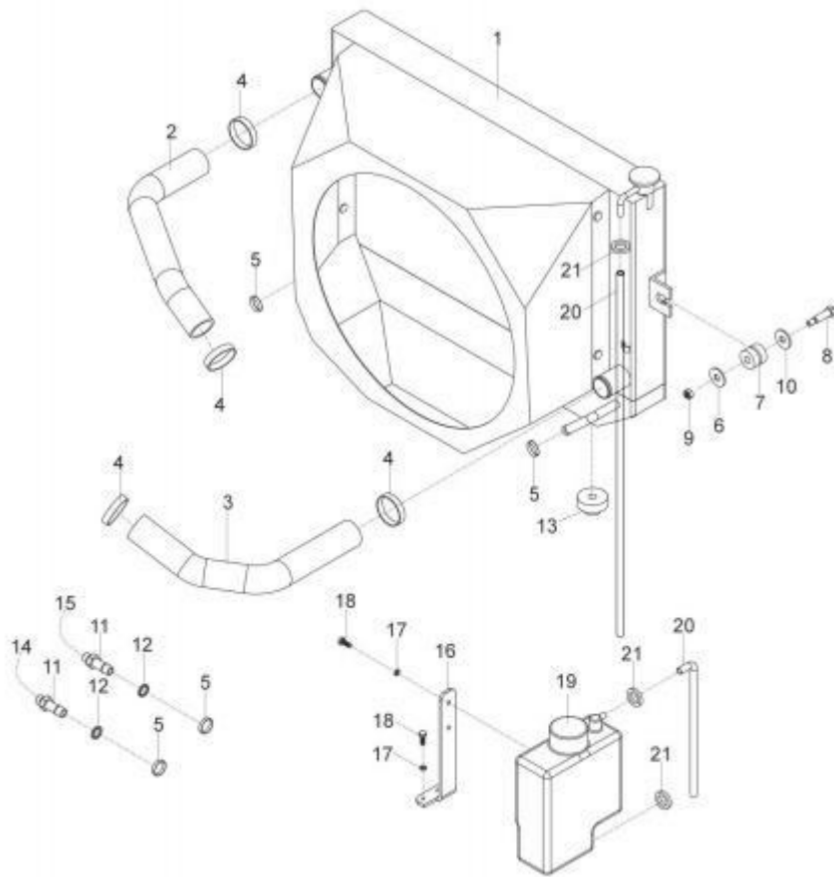
K0JW1-00401 00 Air cleaner setting

K0JW1-00401 00 空滤器安装

序号 No.	零部件代号 Part No.	版本 Edition	名称 Part name		数量 Q'ty	备注 Remark	
1	HE221-00311	01	Air cleaner	空气滤清器	1		
2	K0JW1-02011	00	Intake pipe	进气管	1		
3	HE221-02021	01	Air filter bracket	空滤器支架-激光下料	1		
4	HE221-02001	01	Hose	空滤器管	1		
5	HE221-02031	01	Crankshaft vent pipe	曲轴通风管	1		
6	B0330-08020-X1	00	Combined bolt	组合螺栓 M8x20	4	GB/T 9074. 15-88	GB/T 9074. 15-88
7	B5210-00008	00	Washer	垫圈 8	4	GB96-85	GB96-85
8	Z4592-50070	00	Clamp 50~70	德式喉箍 50~70	1		
9	Z4592-60080	00	Clamp 60~80	德式喉箍 60~80	3		
10	Z4503-12022	00	Clip	喉箍 12~22	2		

K0JW2-10001 00 Cooling system

K0JW2-10001 00 冷却系统



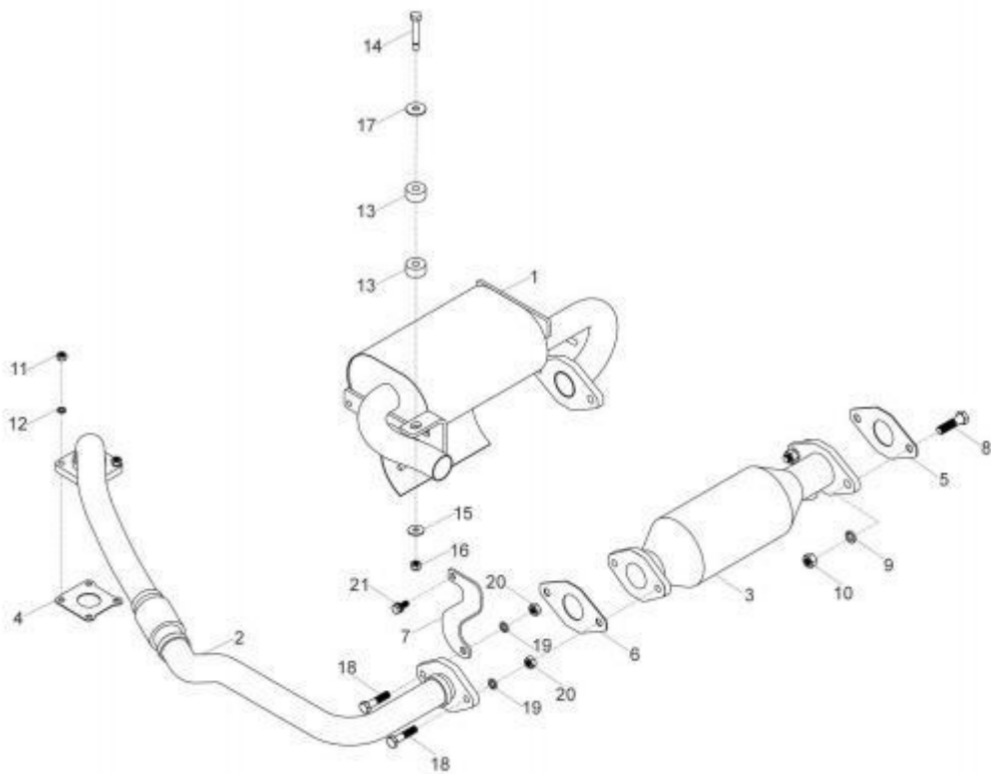
K0JW2-10001 00 Cooling system

K0JW2-10001 00 冷却系统

序号 No.	零部件代号 Part No.	版本 Edition	名称 Part name		数量 Q'ty	备注 Remark	
1	K0JW2-10101	00	Radiator	水箱总成 (液力)	1		
2	HE222-12011	01	Upper hose	上水管	1		
3	HE222-12021	01	Downcomer	下水管	1		
4	Z4592-32050	00	German type hose hoops	德式喉箍 32-50	4		
5	Z4503-12022	00	Clip	喉箍 12-22	4		
6	22252-32251	01	Washer	垫片	2		
7	A22A2-12031	01	Rubber	橡胶垫	2		
8	A22A2-12041	04	Bolt	螺栓	2		
9	B4023-00008	00	Nut	螺母 M8	2	GB6184-86	GB6184-86
10	B5210-00010	00	Washer	垫圈 10	2	GB96-85	GB96-85
11	H99Z7-82001	02	Straight joint	直通接头	2		
12	Z6700-01427	00	Washer 14	组合垫圈 14	2	JB982-77	JB982-77
13	A22A2-12001	01	Rubber	橡胶垫	2		
14	HY217-82001	06	Hose	油冷却胶管	1	HRHY21780 1	HRHY21780 1
15	HY217-82031	00	Hose	油冷却胶管	1		
16	K2TJ2-12041	01	Auxiliary tank support	副水箱支架	1		
17	B5050-00006	00	Washer,lock	垫圈 6	4	GB93-87	GB93-87
18	B1210-06016	00	Screw	螺钉 M6x16	4	GB818-85	GB818-85
19	H2MD2-10301	01	Tank	副水箱	1		
20	Z7500-08070	00	Rubber tube	橡胶管	1		
21	Z4592-08012	00	Clamp 8~12	德式喉箍 8-12	2		

HRK0JW2301 00 Exhaust system

HRK0JW2301 00 排气系统



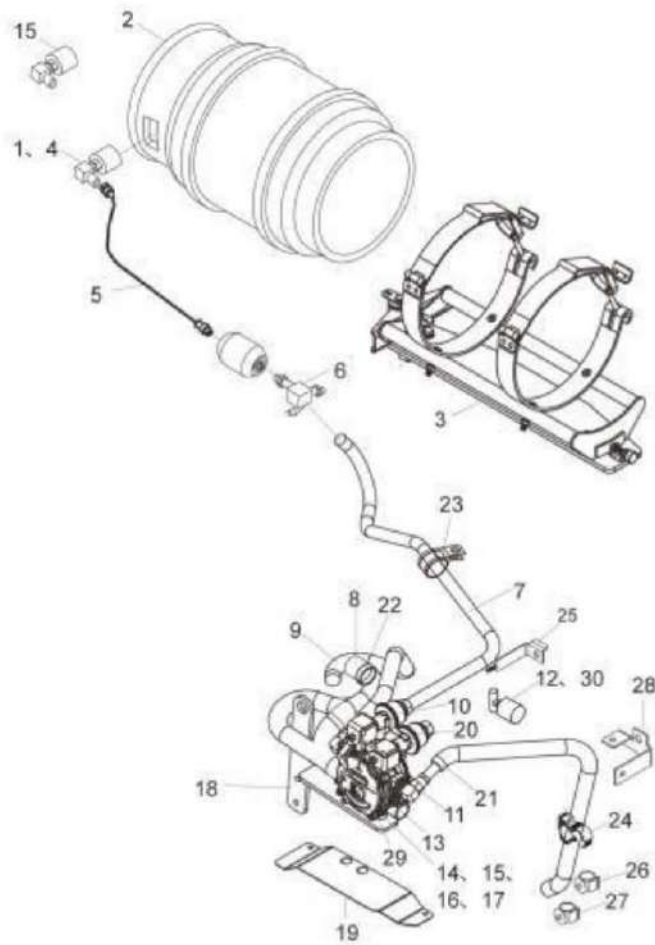
HRK0JW2301 00 Exhaust system

HRK0JW2301 00 排气系统

序号 No.	零部件代号 Part No.	版本 Edition	名称 Part name		数量 Q'ty	备注 Remark	
1	HE222-30221	01	Muffler	消声器总成	1		
2	K0JW2-30201	00	Front vent assembly	前排气管总成	1		
3	H2MS2-32091	01	Three way catalytic converter	三元催化器	1		
4	H2MS2-32101	00	Washer 1	垫片 1	1		
5	H2MS2-32121	00	Washer 3	垫片 3	1		
6	H2MS2-32111	01	Washer	垫片 2	1		
7	HE222-32091	01	Support	支架	1		
8	B0230-12045	00	Bolt M12x45	螺栓 M12x45	2	GB5782-86	GB5782-86
9	B5050-00012	00	Washer	垫圈 12	2	GB93-87	GB93-87
10	B4123-00012	00	Nut	螺母 M12	2	GB6170-86	GB6170-86
11	B4123-00008	00	Nut	螺母 M8	4	GB6170-86	GB6170-86
12	B5050-00008	00	Washer	垫圈 8	4	GB93-87	GB93-87
13	22252-32241	01	Rubber	橡胶垫	4		
14	G2L32-32051	01	Bolt	螺栓	2		
15	B5210-00008	00	Washer	垫圈 8	2	GB96-85	GB96-85
16	B7720-00008	00	Nut	螺母 M8	2	GB889-86	GB889-86
17	B5210-00010	00	Washer	垫圈 10	2	GB96-85	GB96-85
18	B0230-10045	00	Bolt	螺栓 M10x45	2	GB5782-86	GB5782-86
19	B5050-00010	00	Washer	垫圈 10	2	GB93-87	GB93-87
20	B4123-00010	00	Nut	螺母 M10	2	GB6170-86	GB6170-86
21	B0330-08020-X	00	Combined bolt	组合螺栓 M8x20	1	GB/T 9074. 17-88	GB/T 9074. 17-88

H2MS2-20021 07 LPG system

H2MS2-20021 07 液化气系统



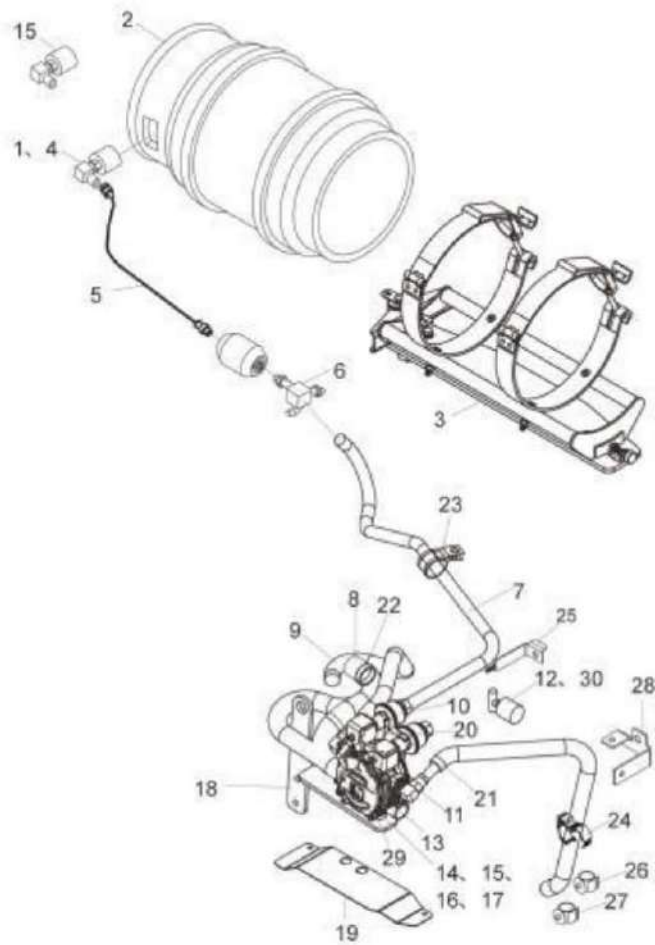
H2MS2-20021 07 LPG system

H2MS2-20021 07 液化气系统

序号 No.	零部件代号 Part No.	版本 Edition	名称 Part name		数量 Q'ty	备注 Remark	
1	A2YQ2-20511	03	Cylinder assemblies and joints(Standard configuration of export vehicles)	钢瓶总成及接头(出口车标配)	1	Include 2,4	包含 2,4
2	Y-5580	01	Cylinder assembly	钢瓶总成	1		
3	A2YA0-00121	06	LPG cylinder bracket	液化气钢瓶支架	1		
3	GY392-20201	03	Rolling & tilt LPG cylinder bracket(with imported LPG cylinder)	旋转侧翻式钢瓶支架(配进口钢瓶)	1	Optional ,HR GY392201	选配,HRGY392201
4	A2YA0-00301	00	Connector	LPG 充气接头	1		
5	A2YQ2-25001	00	Gas pipe	瓦斯气管 HA100-31.5	1		
6	HY252-20201	00	Three way	三通接头	1		
7	HY252-20211	00	Hose H.P.	高压胶管	1		
8	H2MS2-22031	00	Low pressure fuel pipe	低压燃料管	1		
9	H2MS2-22041	01	Support	支架	2		
10	EG52346951	00	Globe valve	截止阀	1	With engine	随发动机附来
11	EG52546931	00	Connector	水路接头	2	With engine	随发动机附来
12	HK2S2-20101A	00	LPG low level alarm device	液化气低液位报警装置	1		
13	EG52346924	00	Carburetor	汽化器	1		
14	B0230-06035	00	Bolt	螺栓 M6x35	2	GB5782-86	GB5782-86
15	A22A4-12121	01	Bowl shape washer	碗形垫圈	2		
16	A22A4-12111	00	Spacer	套管	2		
17	A22A4-12101	00	Rubber	橡胶套	2		
18	H2MS2-22021	02	Bracket	汽化器支架	1	With engine	随发动机附来
19	H2MS2-20201	01	Heat shield assembly	隔热板总成	1		
20	21409	00	Connector	90 度连接接头	1		
21	Z4592-19029	00	Clamp 19~29	德式喉箍 19~29	4		
22	Z4592-20032	00	Clamp	德式喉箍 20-32	2		
23	D1252-1112	00	Clip	线卡	3		
24	D03XK3133	00	Clip	线束固定卡(Φ31- Φ33)	1		
25	H2MS2-20301	00	Bracket ass'y	支架总成	1		
26	D03XK0195	00	Support	线束固定卡	1		
27	D03XK0367	00	Support	线束固定卡	1		
28	GM266-42061	00	Bracket	管卡支架	1		

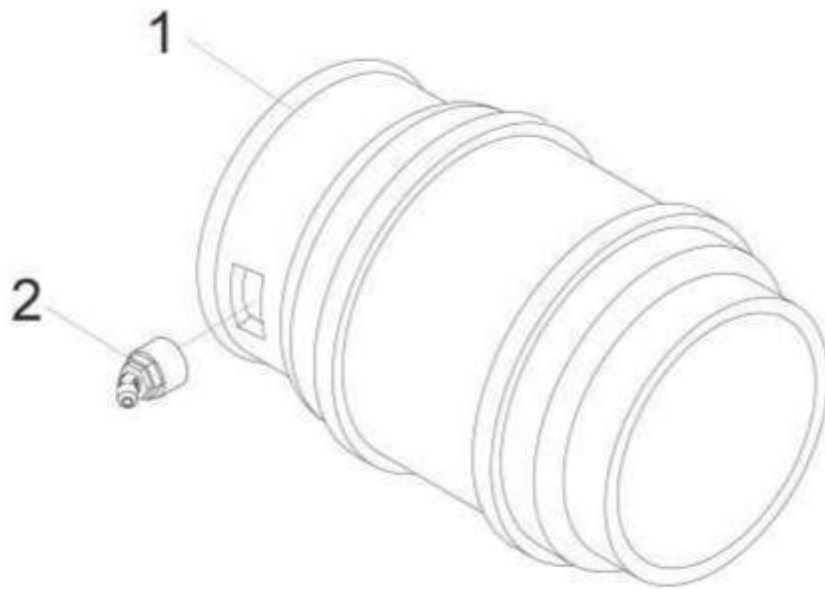
H2MS2-20021 07 LPG system

H2MS2-20021 07 液化气系统



A2YQ2-20511 03 Cylinder assemblies and joints(Standard configuration of export vehicles)

A2YQ2-20511 03 钢瓶总成及接头(出口车标配)



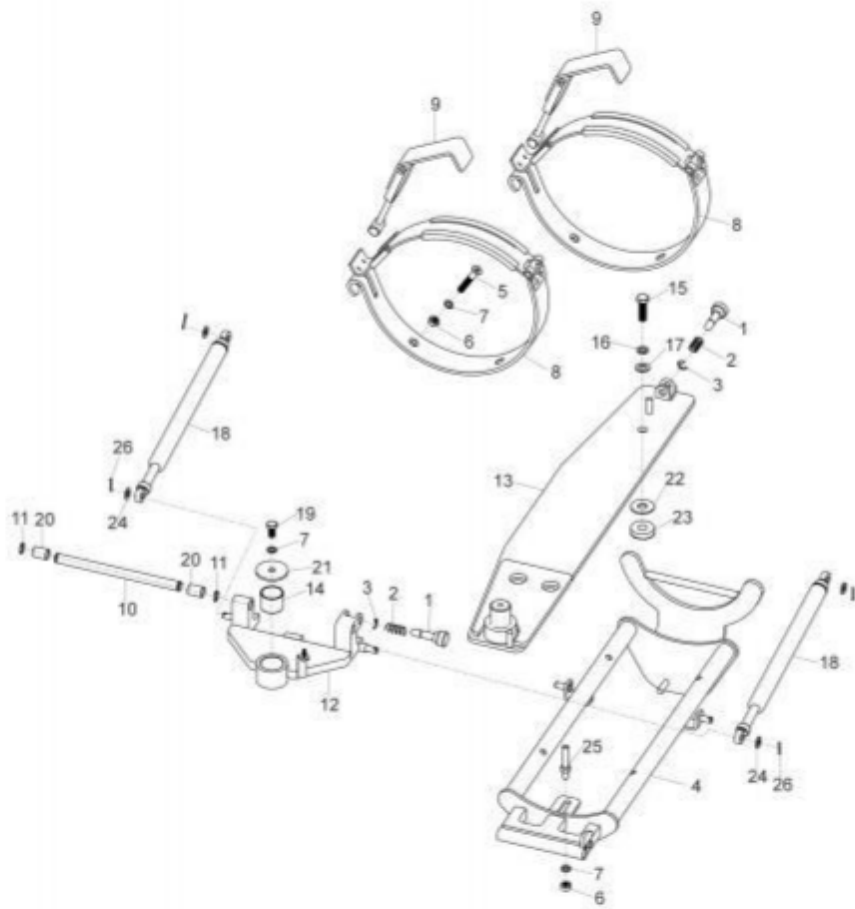
A2YQ2-20511 03 Cylinder assemblies and joints(Standard configuration of export vehicles)

A2YQ2-20511 03 钢瓶总成及接头(出口车标配)

序号 No.	零部件代号 Part No.	版本 Edition	名称 Part name		数量 Q'ty	备注 Remark
1	Y-5580	01	Cylinder assembly	钢瓶总成	1	
2	A2YA0-00301	00	Connector	LPG 充气接头	1	

GY392-20201 03 Rolling & tilt LPG cylinder bracket(with imported LPG cylinder)

GY392-20201 03 旋转侧翻式钢瓶支架(配进口钢瓶)



GY392-20201 03 Rolling & tilt LPG cylinder bracket(with imported LPG cylinder)

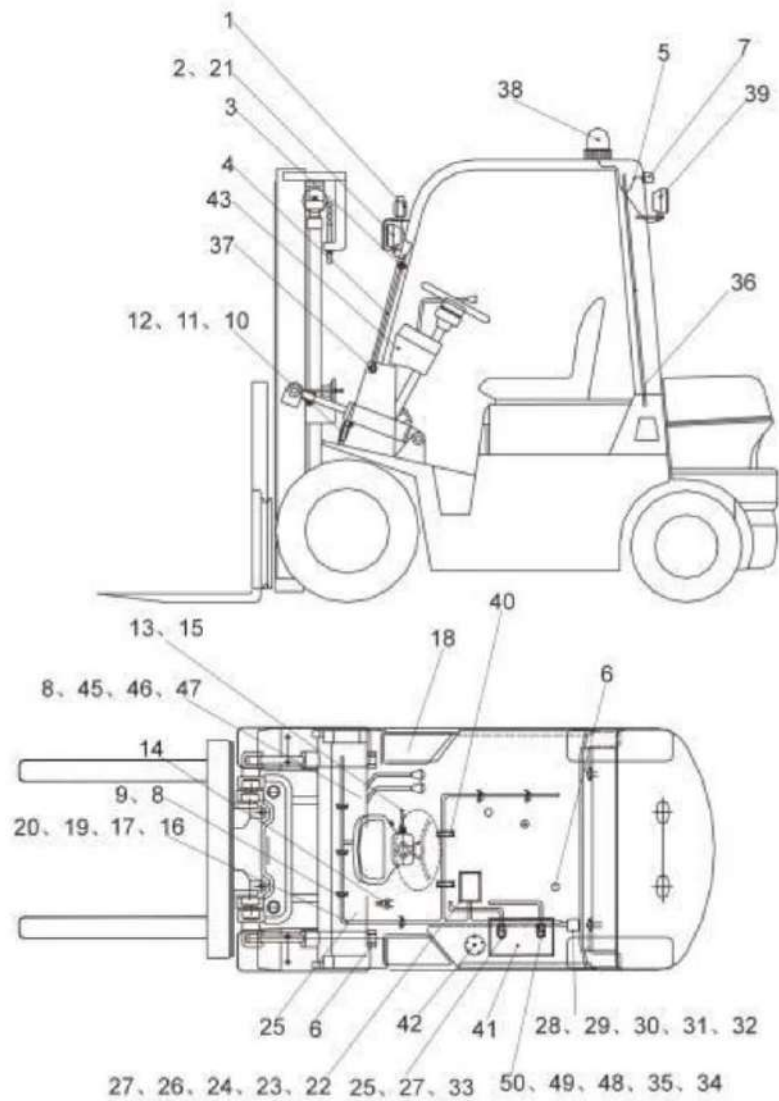
GY392-20201 03

()

序号 No.	零部件代号 Part No.	版本 Edition	名称 Part name		数量 Q'ty	备注 Remark	
1	GY392-22131	00	Knob,lever	手柄	2		
2	GY392-22191	01	Spring	弹簧	2		
3	B6250-00009	00	Snap ring 9	挡圈 9	2	GB896-86	GB896-86
4	GY392-20241	03	Reverse rack	翻转架	1		
5	B1310-10060	00	Screw M10x60GB819-85	螺钉 M10x60GB819-85	4	GB819-85	GB819-85
6	B4123-00010	00	Nut	螺母 M10	5	GB6170-86	GB6170-86
7	B5050-00010	00	Washer	垫圈 10	6	GB93-87	GB93-87
8	GY392-20501	04	Band assembly	箍体总成	2	with imported cylinders	配进口钢瓶
9	GY392-20401	03	Rotary buckler	翻转扣	2		
10	GY392-22161	01	Shaft	转轴	1		
11	B6150-00016	00	Snap ring 16	挡圈 16	2	GB894.1-86	GB894.1-86
12	GY392-20221	04	Swivel mount	旋转架	1		
13	GY392-20231	04	Seat, valve	底座	1		
14	Z2133-03530	00	Bushing 3530	钢背轴承 3530	1	Q/AC40001- 2002	Q/AC40001- 2002
15	B0330-12040	00	Bolt	螺栓 M12x40	3	GB5783-86	GB5783-86
16	B5050-00012	00	Washer	垫圈 12	3	GB93-87	GB93-87
17	B5310-00012	00	Washer	垫圈 12	3	GB97.1-85	GB97.1-85
18	GY392-22201	01	Gas spring	气弹簧	2		
19	B0330-10020	00	Bolt	螺栓 M10x20	1	GB5783-86	GB5783-86
20	Z2131-01625	00	Bushing	钢背轴承 16x25	2	Q/AC40001- 2002	Q/AC40001- 2002
21	GY392-22241	00	Flat pad	平垫	1		
22	A2YK0-23131	03	Shim	垫	3		
23	A2YK0-23141	02	Plastic adjusting pad	塑料调整垫	3		
24	B5310-00010	00	Washer	垫圈 10	4	GB97.1-85	GB97.1-85
25	GY392-22391	00	Pin	定位销	1		
26	B3010-02020	00	Pin	销 2x20	4	GB91-86	GB91-86

HRK0JW2401 00 Electrical system

HRK0JW2401 00 电气系统



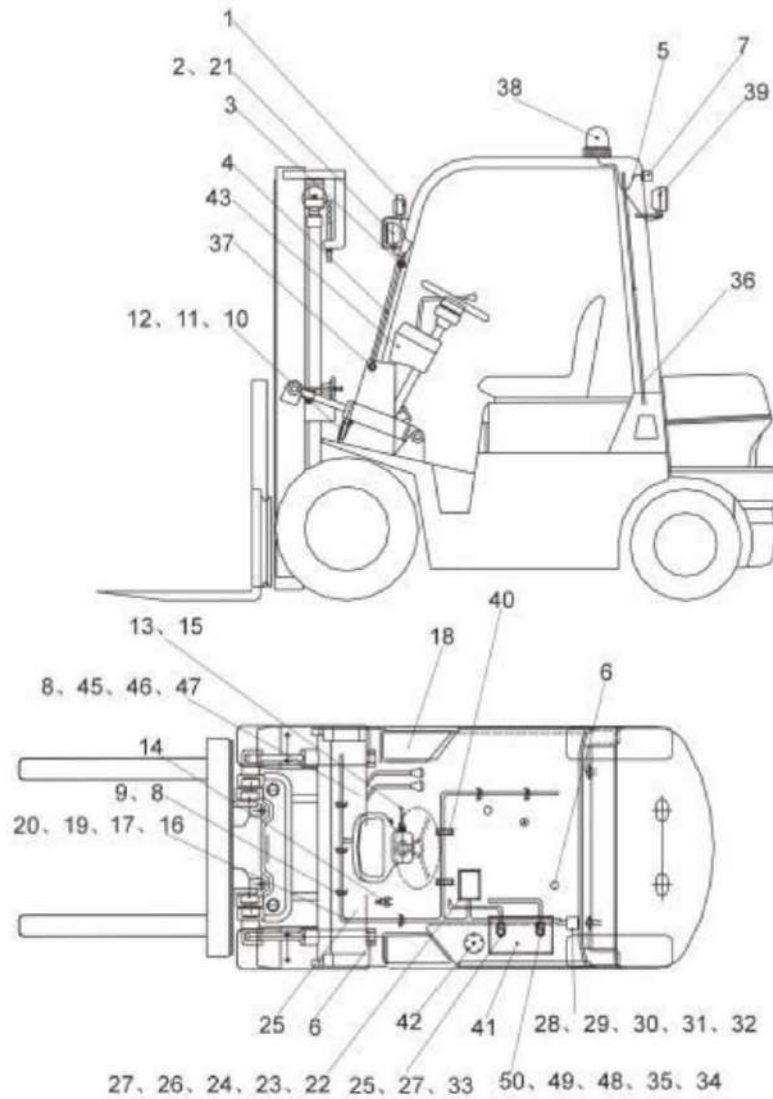
HRK0JW2401 00 Electrical system

HRK0JW2401 00 电气系统

序号 No.	零部件代号 Part No.	版本 Edition	名称 Part name		数量 Q'ty	备注 Remark	
1	Z8610-12000	02	Front signal light	前小灯	2		
2	D08HLQZD	01	LED resultant headlights	LED 合力前照灯	2		
3	A22A2-40260-2	06	Rubber ring	出线胶圈	2	HRH24C240 4	HRH24C240 4
4	23652-42071X	00	Wire harness	前灯线束	2		
5	K9FL2-43701	01	Overhead guard harness , rear	后护顶架线束	1		
6	A61Q2-40201	03	Control valve switch	多路阀控制开关	2	Two piece valve	两片阀
6	A61Q2-40201	03	Control valve switch	多路阀控制开关	3	Three piece valve	三片阀
6	A61Q2-40201	03	Control valve switch	多路阀控制开关	4	Four piece valve	四片阀
7	D08HLHWD	01	Rear combination lamp	LED 后组合灯	2		
8	H24C2-42131	01	Belt	捆扎带	8		
9	Z9260-30100	00	Belt 3X100	捆扎带 3X100	2		
10	Z8500-1D124	01	Trumpet	喇叭	1		
11	B0330-08016	00	Bolt	螺栓 M8x16	1	GB5783-86	GB5783-86
12	B5050-00008	00	Washer	垫圈 8	1	GB93-87	GB93-87
13	D06BX308	01	Fuse	熔断器总成	1		
14	D09JK205B	01	Brake switch	脚制动开关	1		
15	H2YY2-40801	02	Combination switch	组合开关	1	Electric-hydraulic	电液换向
16	K0JW2-40311	00	Wire harness,body	车身线束	1		
16	K0JW2-40321	00	Wire harness,body	车身线束	1		
17	G42N2-40101	01	Trumpet	倒车语音喇叭	1	Optional parts	选用件
18	HS2B2-40402	00	Skipping switch single box	翘班开关单框	1	Optional parts	选用件
19	D03XK3133	00	Clip	线束固定卡(Φ31- Φ33)	1		
20	K3P62-40211	00	Principle diagram	电气原理图	1		
21	HRK9FQ2425	00	Battery main switch	电源总开关	1	Option	选用
22	B1210-06016	00	Screw	螺钉 M6x16	4	GB818-85	GB818-85
23	B5050-00006	00	Washer,lock	垫圈 6	4	GB93-87	GB93-87
24	B5310-00006	00	Washer,lock	垫圈 6	4	GB97.1-85	GB97.1-85
25	D03XK0367	00	Support	线束固定卡	1		
26	D03HCKJ012G	03	Central control box	中央控制盒	1	Electric-hydraulic	电液换向用
27	D06BX304	00	Fuse	熔断器总成	1		
28	A61S2-41301	06	Back buzzer	倒车蜂鸣器	1		

HRK0JW2401 00 Electrical system

HRK0JW2401 00 电气系统



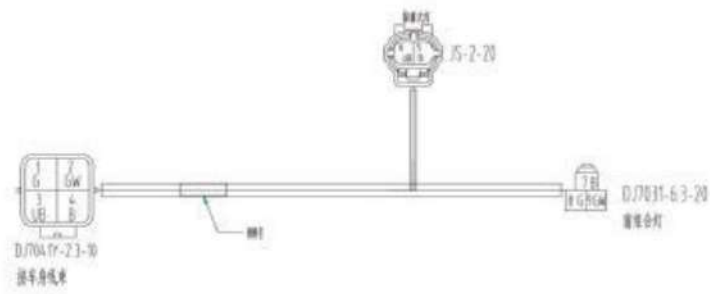
HRK0JW2401 00 Electrical system

HRK0JW2401 00 电气系统

序号 No.	零部件代号 Part No.	版本 Edition	名称 Part name		数量 Q'ty	备注 Remark	
29	B1210-06016	00	Screw	螺钉 M6x16	1	GB818-85	GB818-85
30	B5050-00006	00	Washer,lock	垫圈 6	1	GB93-87	GB93-87
31	B4123-00006	00	Nut	螺母 M6	1	GB617-86	GB617-86
32	B5310-00006	00	Washer,lock	垫圈 6	1	GB97.1-85	GB97.1-85
33	K0JW2-40241	00	Cable	电瓶引线(+)	1		
34	K0JW2-40231	00	Cable	电瓶引线(-)	1	HRK9GA24 02	HRK9GA24 02
35	K9GA2-40100	00	Car body negative	车体负极	1	HRK9GA24 02	HRK9GA24 02
36	G2KE2-43801	00	Dusty ring	防尘胶圈	1		
37	H2MD2-42801	00	Rubber ring	出线胶圈	2	For lower hole of front leg	用于前腿下 孔
38	HRK9GA2414	00	Install alarm lamp	警示灯安装	1	Optional parts	选用件
39	HRK9FQ2415	03	Rear work light mounting	后工作灯安装	1	Optional parts	选用件
40	22492-42092G	01	Clip	电瓶正极引线卡	2	For mechanical transmission vehicles	机械传动车 用
41	D016-QW-60B	00	Battery	蓄电池	1		
42	D04RG4208	01	Oil measurement sensor	油量传感器	1		
43	D04ZB908XKWZ- X	00	Combination M/T	组合仪表	1	Particular key	不通用钥匙
43	D04ZB908XKWZ- X1	00	Combination M/T	组合仪表	1	Current key	通用钥匙
43	D04ZB908XKWZ- X1-4	00	Combination M/T	组合仪表	1	With four universal key	配四把通用 钥匙用
44	H2MS2-43801	02	Fuel pressure valve transition line	燃料压力阀过渡线	1		
45	D03XK2628	00	Clip	线束固定卡(Φ26- Φ28)	4		
46	D03XK0612	00	Support	线束固定卡	2		
47	D03XK2123	00	Clip	线束固定卡(Φ21- Φ23)	9		
48	B0330-08016	00	Bolt	螺栓 M8x16	2	GB5783-86	GB5783-86
49	B5050-00008	00	Washer	垫圈 8	2	GB93-87	GB93-87
50	B5310-00008	00	Washer	垫圈 8	2	GB97.1-85	GB97.1-85
51	HS2B2-40401	02	Fuel selector switch	燃料选择开关	1	Option	选用
52	HRK9FQ2422	01	Fan mounting	电风扇安装	1	Option	选用

23652-42071X 00 Wire harness

23652-42071X 00 前灯线束



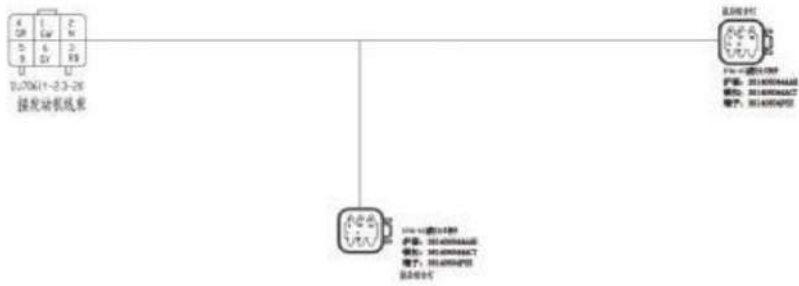
23652-42071X 00 Wire harness

23652-42071X 00 前灯线束

序号 No.	零部件代号 Part No.	版本 Edition	名称 Part name	数量 Q'ty	备注 Remark

K9FL2-43701 01 Overhead guard harness , rear

K9FL2-43701 01 后护顶架线束



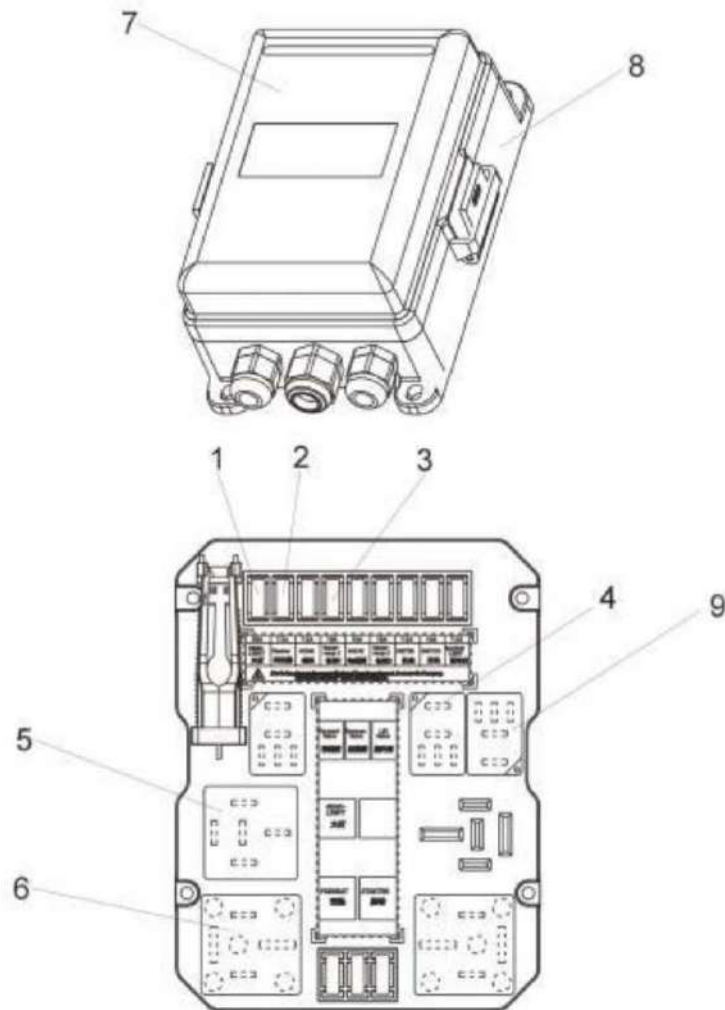
K9FL2-43701 01 Overhead guard harness , rear

K9FL2-43701 01 后护顶架线束

序号 No.	零部件代号 Part No.	版本 Edition	名称 Part name	数量 Q'ty	备注 Remark

D03HCKJ012G 03 Central control box

D03HCKJ012G 03 中央控制盒



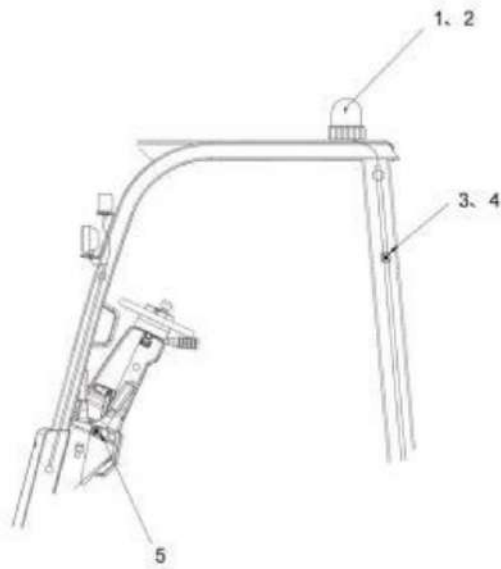
D03HCKJ012G 03 Central control box

D03HCKJ012G 03 中央控制盒

序号 No.	零部件代号 Part No.	版本 Edition	名称 Part name		数量 Q'ty	备注 Remark	
1	D06MINI30A	00	Fuse piece	30A 保险片	1		
2	D06MINI7.5A	00	Fuse	7.5A 熔断器	4		
3	D06MINI10A	00	Fuse	10A 熔断器	4		
4	D07JD191-20A	00	Relay	继电器	3	Advance/Ret reat	前进、后退
5	D07JD191-40A	00	Relay	40A 继电器	1	With light	灯光用
6	D07JD191-70/80A	00	80A Relay	80A 继电器	2	Start/Prehea t	启动 预热 /
7	D03KTZC-JH	00	Case	壳体总成	1		
8	D03DZZC-JH	00	Seat	底座总成	1		
9	D07JD191-20A-Z	00	Relay	常闭继电器	1	Lifting	起升

HRK9GA2414 00 Install alarm lamp

HRK9GA2414 00 警示灯安装



HRK9GA2414 00 Install alarm lamp

HRK9GA2414 00 警示灯安装

序号 No.	零部件代号 Part No.	版本 Edition	名称 Part name		数量 Q'ty	备注 Remark	
1	H2MD2-44301	00	Caution light	警示灯	1		
2	H2MD2-44401	00	Rotating warning light with buzzer	LED 旋转蜂鸣警示灯	1		
3	H24C2-40431	01	Install alarm harness	警示灯线束	1	For installing rotary warning light	装旋转警示 灯用
4	H24C2-40432	00	Install alarm harness	警示灯线束	1	For installing rotary buzzer warning light	装旋转蜂鸣 警示灯用
5	D09JK211J	00	Switch	警示灯开关	1	Used as warning light switch	作为警示灯 开关用

H24C2-40431 01 Install alarm harness

H24C2-40431 01 警示灯线束



H24C2-40431 01 Install alarm harness

H24C2-40431 01 警示灯线束

序号 No.	零部件代号 Part No.	版本 Edition	名称 Part name	数量 Q'ty	备注 Remark

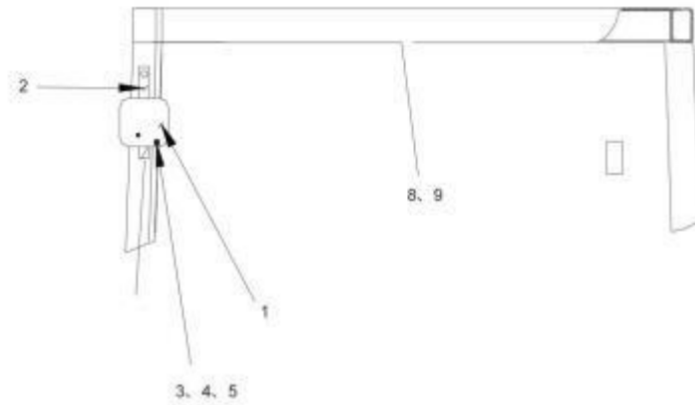
H24C2-40432 00 Install alarm harness

H24C2-40432 00 警示灯线束



HRK9FQ2415 03 Rear work light mounting

HRK9FQ2415 03 后工作灯安装

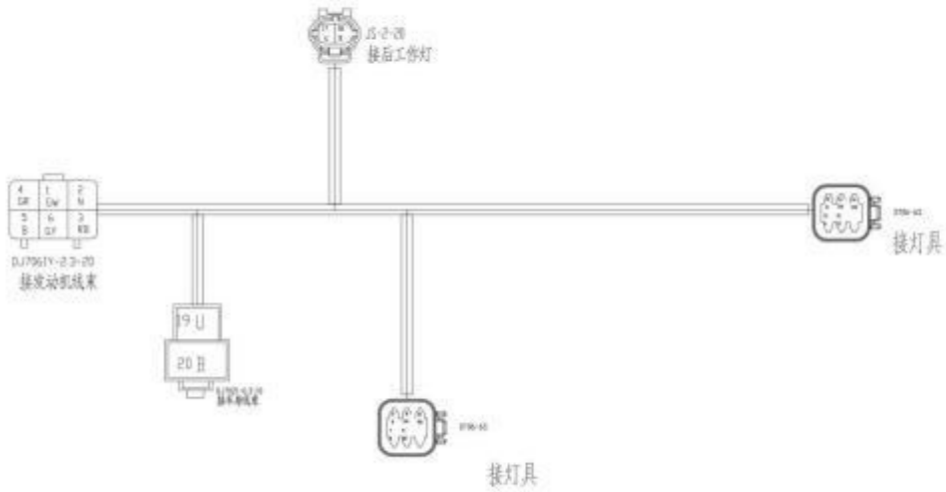


HRK9FQ2415 03 Rear work light mounting**HRK9FQ2415 03 后工作灯安装**

序号 No.	零部件代号 Part No.	版本 Edition	名称 Part name	数量 Q'ty	备注 Remark
1	D08HLQZD	01	LED resultant headlights LED 合力前照灯	1	Normal 标配
2	H25S2-40281	02	Rear light bracket 后工作灯支架	1	Install cab or without rear windshield 装驾驶室或后挡风不用
3	B0330-08016	00	Bolt 螺栓 M8x16	1	GB5783-86 GB5783-86
4	B5050-00008	00	Washer 垫圈 8	1	GB93-87 GB93-87
5	B5310-00008	00	Washer 垫圈 8	1	GB97.1-85 GB97.1-85
6	D09JK211	02	Switch 灯开关	1	
7	K9FL2-43701HD	01	Overhead guard harness , rear 后护顶架线束	1	
8	A22A2-40260*3	00	Rubber ring 出线胶圈	1	
9	H25S2-40403	00	Rear working lamp transition line 后工作灯过渡线	1	Install cab or rear windshield 装驾驶室或后挡风用

K9FL2-43701HD 01 Overhead guard harness, rear

K9FL2-43701HD 01 后护顶架线束



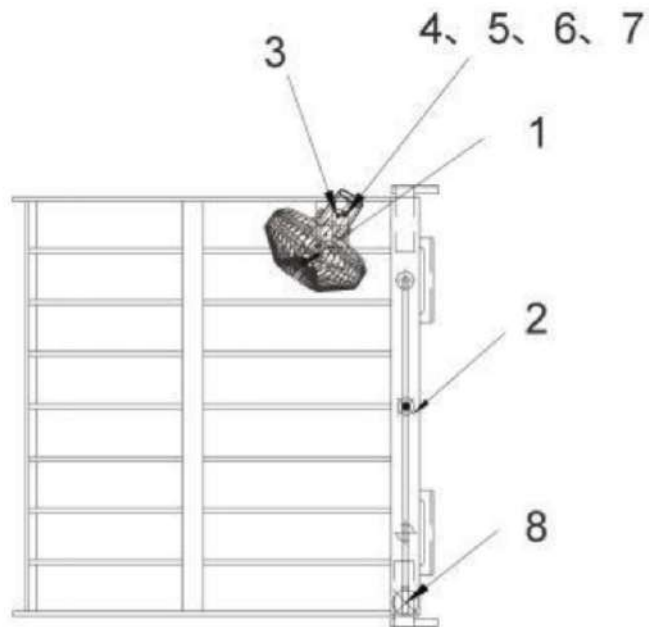
K9FL2-43701HD 01 Overhead guard harness , rear

K9FL2-43701HD 01 后护顶架线束

序号 No.	零部件代号 Part No.	版本 Edition	名称 Part name	数量 Q'ty	备注 Remark

HRK9FQ2422 01 Fan mounting

HRK9FQ2422 01 电风扇安装



K9FQ2-40212 01 Electric fan wiring harness

K9FQ2-40212 01 电风扇线束



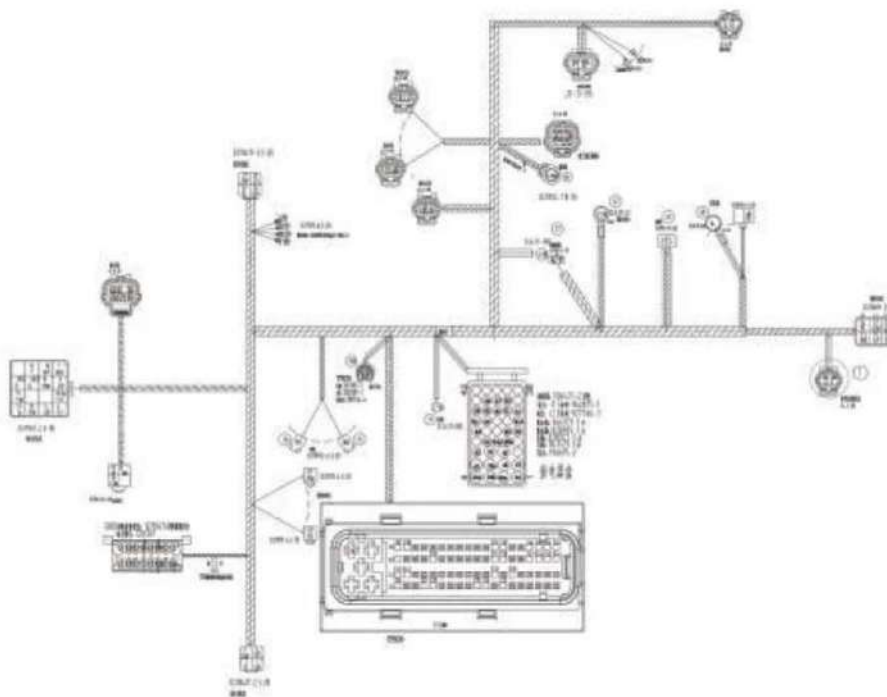
K9FQ2-40212 01 Electric fan wiring harness

K9FQ2-40212 01 电风扇线束

序号 No.	零部件代号 Part No.	版本 Edition	名称 Part name	数量 Q'ty	备注 Remark

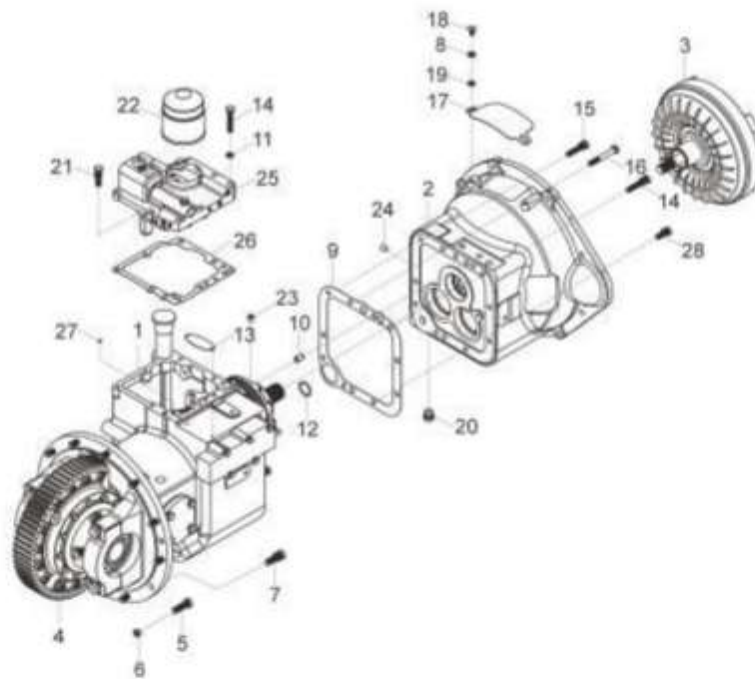
HRK9FQ2418 07 Electric fan body harness assembly

HRK9FQ2418 07 电风扇车身线束总成



H25S3-80501 08 Transmission unit(electric-hydraulic)

H25S3-80501 08 传动装置(电液换向)

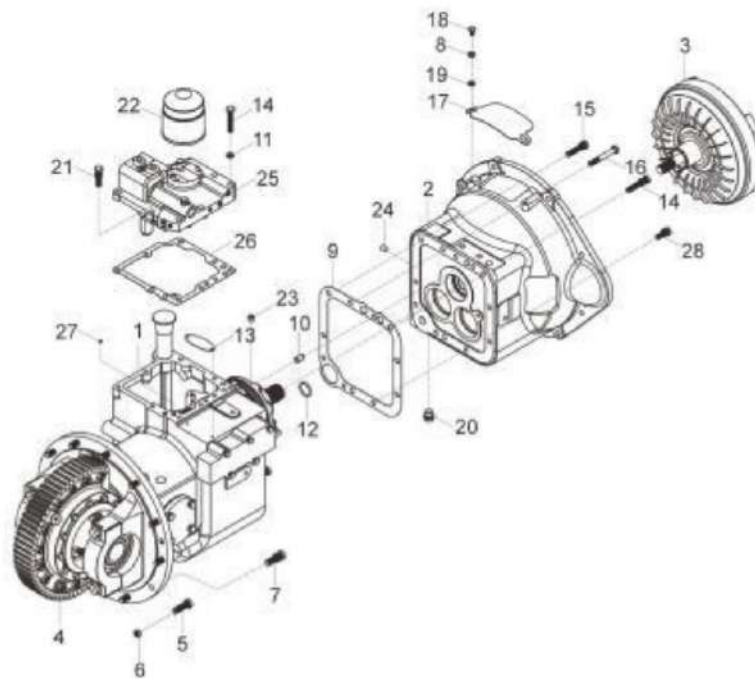


H25S3-80501 08 Transmission unit(electric-hydraulic)

H25S3-80501 08 ()							
序号 No.	零部件代号 Part No.	版本 Edition	名称 Part name		数量 Q'ty	备注 Remark	
1	H25S3-80311	06	Hydraulic transmission	液力变速箱	1		
2	H25S3-82001	07	Torque-converter case	变矩器壳体	1		
3	H25S3-20001	04	Torque-converter	液力变矩器/YJH265H	1		
4	H24C3-50201	08	Reducer and differential	减速器与差速器	1		
5	B0530-10035	00	Bolt	螺栓 M10x1.25x35	2	GM、GCT engine	GM、GCT engine
5	B0530-10035	00	Bolt	螺栓 M10x1.25x35	7	GB5786-86	GB5786-86
6	B4123-00010	00	Nut	螺母 M10	6	GM、GCT engine	GM、GCT engine
6	B4123-00010	00	Nut	螺母 M10	1	GB6170-86	GB6170-86
7	B0530-12040-X1	00	Combined bolt M12x1.25x40	组合螺栓 M12x1.25x40	12	GB5786,GB93	GB5786,GB93
8	B5050-00008	00	Washer	垫圈 8	2	GB93-87	GB93-87
9	11243-82501	04	Washer	垫片	1		
10	H2MD3-82021	00	Pin 12X20	销 12X20	2		
11	B5050-00010	00	Washer	垫圈 10	6	GB93-87	GB93-87
12	Z6003-01502	00	O-ring 15*2.4	O 形密封圈 15*2.4	2	GB1235-76	GB1235-76
13	6TY10-06-05	03	Decal	变速箱铭牌	1		
14	B0230-10055-X1	00	Combined bolt M10x55	组合螺栓 M10x55	7	GB5782, GB93	GB5782, GB93
14	B0230-10055-X1	00	Combined bolt M10x55	组合螺栓 M10x55	6	GM、GCT engine	GM、GCT engine
15	B0330-10050-X1	00	Combined bolt M10x50	组合螺栓 M10x50	2	GB/T9074.1 5-88	GB/T9074.1 5-88
15	B0330-10050-X1	00	Combined bolt M10x50	组合螺栓 M10x50	7	GM、GCT engine	GM、GCT engine
16	B0230-10075-X1	00	Combined bolt M10x75	组合螺栓 M10x75	1	GB5782,GB93	GB5782,GB93
17	15583-83611	03	Torque-converter cover	变矩器盖	1		
18	B0330-08020	00	Bolt	螺栓 M8x20	2	GB5783-86	GB5783-86
19	B5310-00008	00	Washer	垫圈 8	2	GB97.1-85	GB97.1-85
20	H25S3-84001A	00	Plug	螺塞总成	1		
21	B0330-10040-X1	00	Combined bolt M10x40	组合螺栓 M10x40	5	GB/T9074.1 5-88	GB/T9074.1 5-88
22	12163-82301	02	Oil filter	滤油器(II)	1		
23	22518-40151C	00	Plug	堵头总成	2		
24	22193-03001	02	Plug	堵塞	2		
25	H25S3-80601	02	Control valve assembly	电磁控制阀总成	1		
26	11243-82531	02	Washer	垫片	1		
27	Z6003-00901	00	O-ring	O 形圈 9*1.9	2	GB1235.1-76	GB1235.1-76

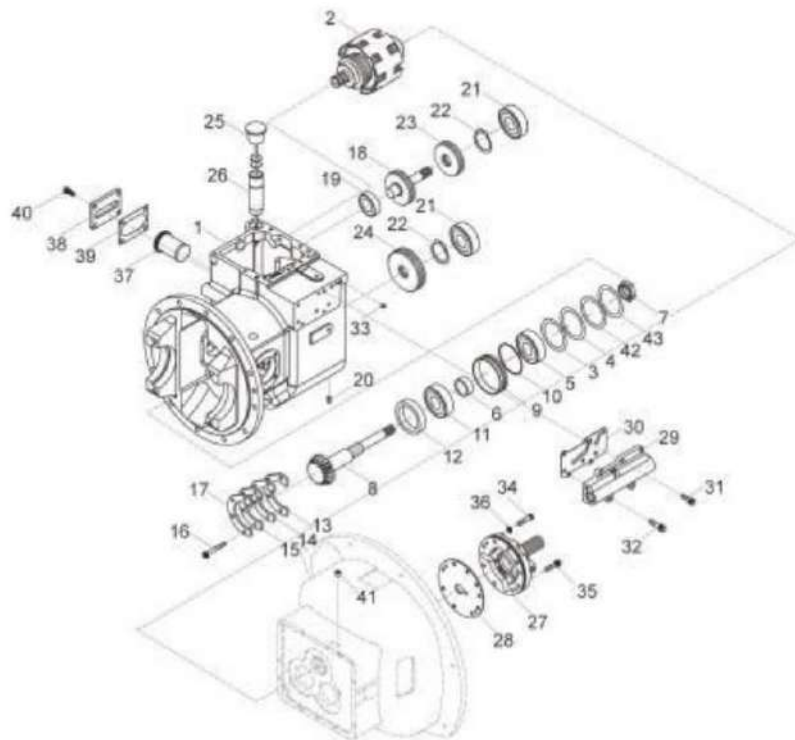
H25S3-80501 08 Transmission unit(electric-hydraulic)

H25S3-80501 08 传动装置(电液换向)



H25S3-80311 06 Hydraulic transmission

H25S3-80311 06 液力变速箱



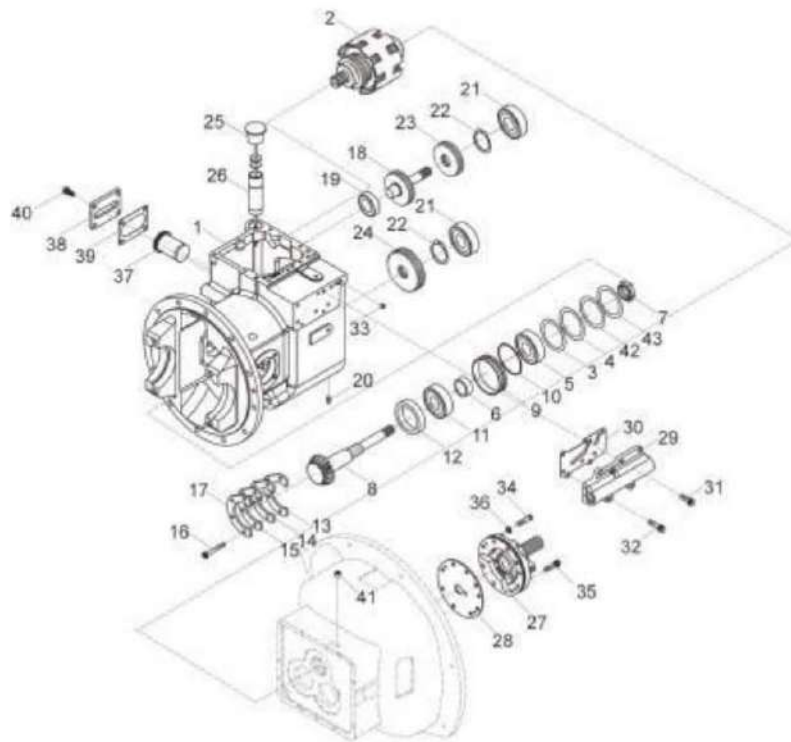
H25S3-80311 06 Hydraulic transmission

H25S3-80311 06 液力变速箱

序号 No.	零部件代号 Part No.	版本 Edition	名称 Part name		数量 Q'ty	备注 Remark	
1	120M3-82011	13	Transmission case	液力变速箱箱体	1		
2	14883-80201	04	Clutch,hydraulic	液力离合器总成	1		
3	12163-82501	02	Shim	垫	2		
4	12163-82551	00	Washer	垫片	2		
5	Z-30208	00	Bearing 30208	轴承 30208	1	GB/T297-94	GB/T297-94
6	12163-82131	01	Skeleton oil seal DCY/40*62*8/ 10	骨架油封 DCY/40*62*8/ 10	1		
7	11243-82621	01	Nut	开花螺母	1		
8	14463-42001	07	Shaft,output	液力伞齿轮轴	1		
9	12163-82121	01	Bracket	油封保持架	1		
10	Z6003-08003	00	O-ring 80*3. 1	O 形密封圈 80*3. 1	1	GB1235-76	GB1235-76
11	Z-32208	00	Bushing	圆锥滚子轴承 32208	1	GB/T297-94	GB/T297-94
12	12163-82191	01	Collar	轴环	1		
13	12163-82571	01	Washer	垫片	1		
14	12163-82581	01	Washer	垫片	1		
15	12163-82591	01	Washer	垫片	1		
16	B0330-08020-X1	00	Combined bolt	组合螺栓 M8x20	4	GB/T9074. 1 5-88	GB/T9074.1 5-88
17	12163-82151	02	Plate,bearing support	支承片	1		
18	12163-42201	02	Shaft,idler	惰轮轴	1		
19	Z-6206E	00	Bearing 6206E	轴承 6206E	1	GB/T276-94	GB/T276-94
20	22193-03001	02	Plug	堵塞	1		
21	Z-6207	00	Bearing	轴承	2		
22	B6050-00024	00	Snap ring 24	挡圈 24	2	GB893.1-86	GB893.1-86
23	12163-42211	02	Cear,reverse idler	惰轮	1		
24	12163-42231	02	Gear,output	输出齿轮	1		
25	12163-82232	03	Cap	变速箱加油口盖	1		
26	12163-82221	03	Pipe	加油管	1		
27	15583-80221	02	Oil supply pump assembly	供油泵总成	1		
28	15583-82201	02	Washer	垫片	1		
29	15583-80202	06	Inching valve assembly	微动阀总成	1		
30	15583-82081	02	Gasket	衬垫	1		
31	B0330-08025-X1	00	Combined bolt	组合螺栓 M8x25	3	GB/T9074. 1 5-88	GB/T9074.1 5-88

H25S3-80311 06 Hydraulic transmission

H25S3-80311 06 液力变速箱



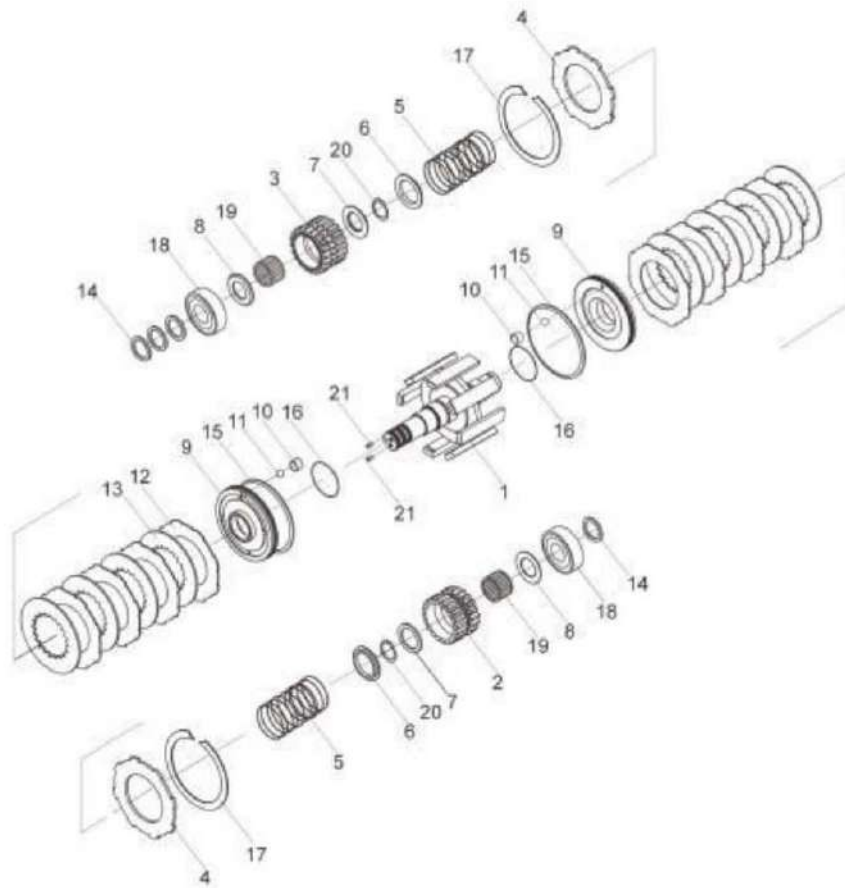
H25S3-80311 06 Hydraulic transmission

H25S3-80311 06 液力变速箱

序号 No.	零部件代号 Part No.	版本 Edition	名称 Part name		数量 Q'ty	备注 Remark	
32	B0330-08050-X1	00	Combined bolt M8x50	组合螺栓 M8x50	2	GB/T9074.1 5-88	GB/T9074.1 5-88
33	22518-40151	02	Plug	螺塞	1		
34	B0330-08035	00	Bolt	螺栓 M8x35	2	GB5783-86	GB5783-86
35	B0330-08045	00	Bolt	螺栓 M8x45	4	GB5783-86	GB5783-86
36	12163-82561	03	Washer	垫片	6		
37	124U3-82521	03	Oil filter	滤油器	1		
38	H2FH3-82031	00	Cover	密封端盖	1		
39	12163-82811	00	Gasket	滤油器纸垫	1		
40	B0330-10025-X1	00	Combined bolt	组合螺栓 M10x25	4	GB/T9074.1 5-88	GB/T9074.1 5-88
41	22518-40151C	00	Plug	堵头总成	2		
42	12163-82511	01	Washer	垫片	2		
43	12163-82521	01	Washer	垫片	1		

14883-80201 04 Clutch,hydraulic

14883-80201 04 液力离合器总成



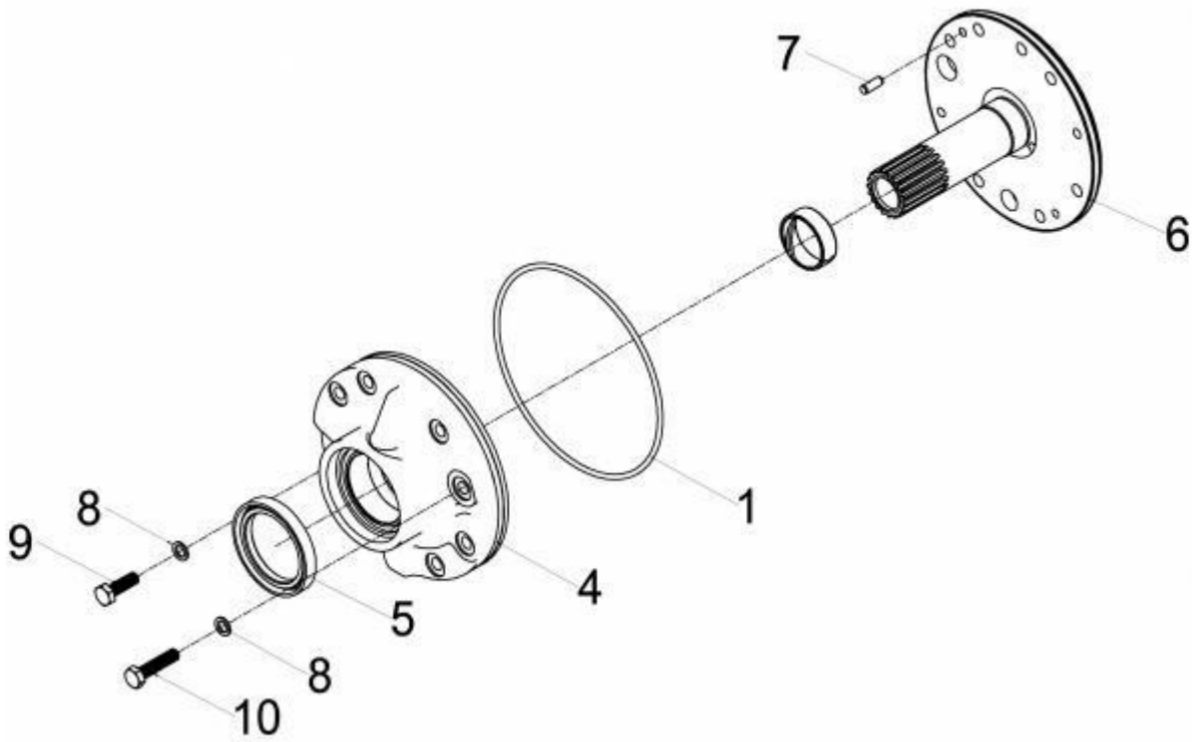
14883-80201 04 Clutch,hydraulic

14883-80201 04 液力离合器总成

序号 No.	零部件代号 Part No.	版本 Edition	名称 Part name		数量 Q'ty	备注 Remark	
1	11243-80211	05	Shift,input	输入轴总成	1		
2	11243-82061	02	Gear,release	后退齿	1		
3	11243-82051	02	Gear,forward	前进齿	1		
4	11243-82221	01	Plate,end	端板	2		
5	11243-82081	03	Spring,return	回位弹簧	2		
6	11243-82091	02	Seat,spring	弹簧座	2		
7	11243-82101	01	Ring,thrust	止推环 A	2		
8	11243-82111	01	Ring,thrust	止推环 B	2		
9	11243-82041	05	Piston	活塞	1		
10	11243-82121	02	Plug	塞	1		
11	Z1505-G0030	00	Steel ball 3	钢球 3	1	GB308-89	GB308-89
12	11243-82141	01	Plate,friction	摩擦片	8		
13	11243-82151	01	Plate,separator	隔片(韩国)	8		
14	11243-82161	02	Seal ring	密封环 A	4		
15	11243-82171	01	Seal ring	密封环 B	2		
16	11243-82211	00	O-ring	O 型圈	2		
17	11243-82181	00	Snap ring	卡环	2		
18	Z-6206-2RS	00	Bearing 6206-2RS	轴承 6206-2RS	2	GB/T276-94	GB/T276-94
19	11243-82201	02	Bearing,needle K354220	滚针轴承 K354220	2		
20	B6150-00040	00	Snap ring	挡圈 40	2	GB894.1-86	GB894.1-86
21	B1830-08008	00	Screw M8x8	螺钉 M8x8	2	GB80-85	GB80-85

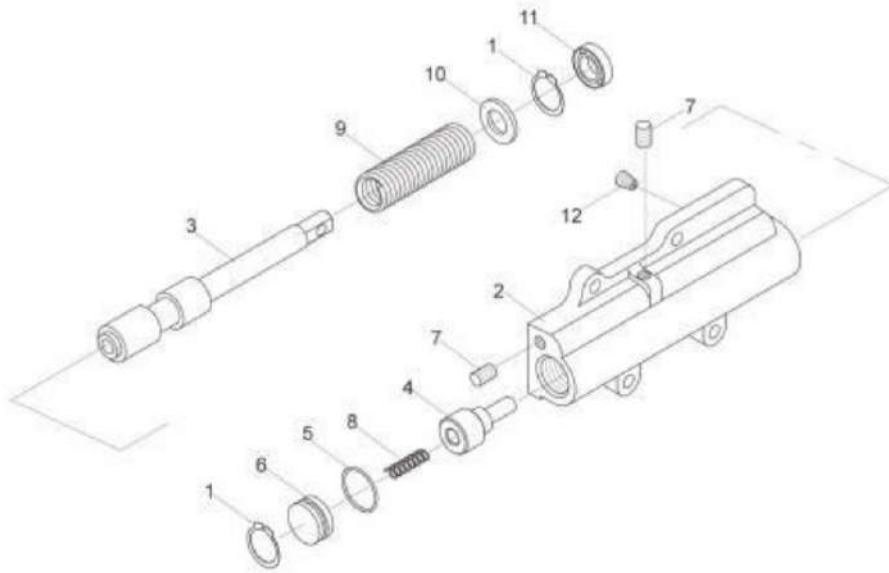
15583-80221 02 Charging pump assembly

15583-80221 02 供油泵总成



15583-80202 05 Inching valve assembly

15583-80202 05 微动阀总成



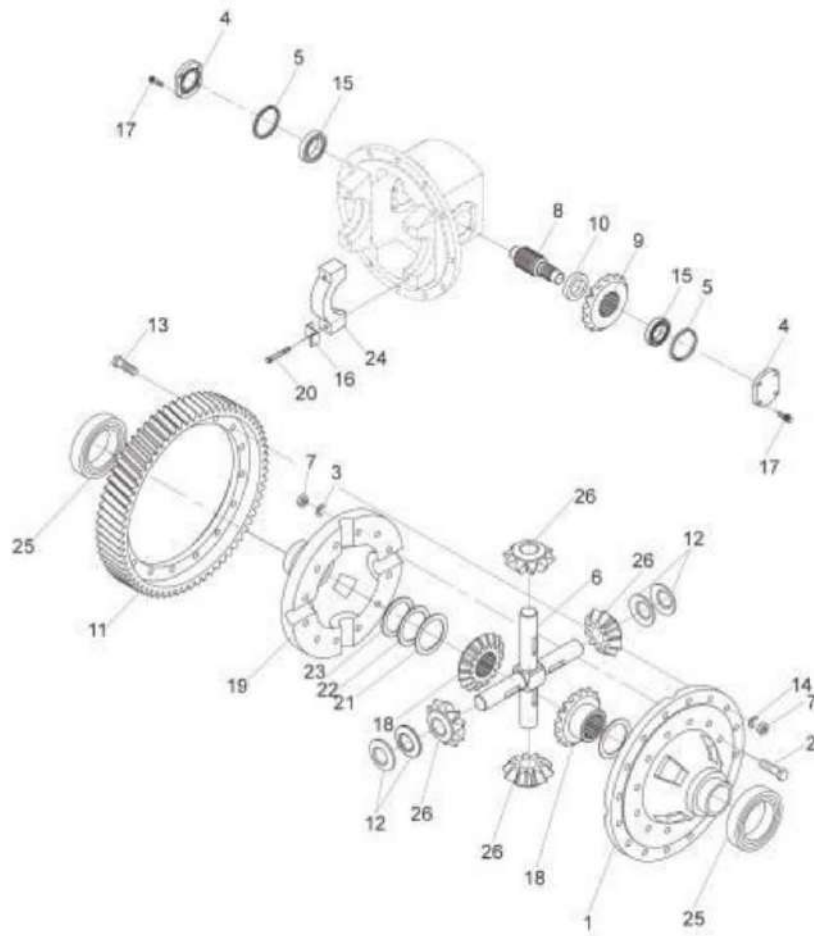
15583-80202 05 Inching valve assembly

15583-80202 05 微动阀总成

序号 No.	零部件代号 Part No.	版本 Edition	名称 Part name		数量 Q'ty	备注 Remark	
1	B6050-00028	00	Snap ring 28	挡圈 28	2	GB893.1-86	GB893.1-86
2	15583-82002	00	Body, valve	阀体	1		
3	15583-82012	00	Roll bar	卷杆	1		
4	15583-82022	00	Slide valve	滑阀	1		
5	Z6054-02362	00	O-ring 23.6X2.65	O 形圈 23.6X2.65	1	GB/T3452.1-92	GB/T3452.1-92
6	15583-82032	00	Oil plug	油堵	1		
7	CDB-F15-1.22	00	Plug	螺塞	2		
8	15583-82051	00	Spring	弹簧	1		
9	15583-82041	00	Spring	弹簧	1		
10	15583-82062	00	Washer	垫片	1		
11	15583-82071	00	Micro valve oil seal	微动阀油封	1		
12	15583-82092	00	Oil plug	油塞	1		

H24C3-50201 08 Reducer and differential

H24C3-50201 08 减速器与差速器



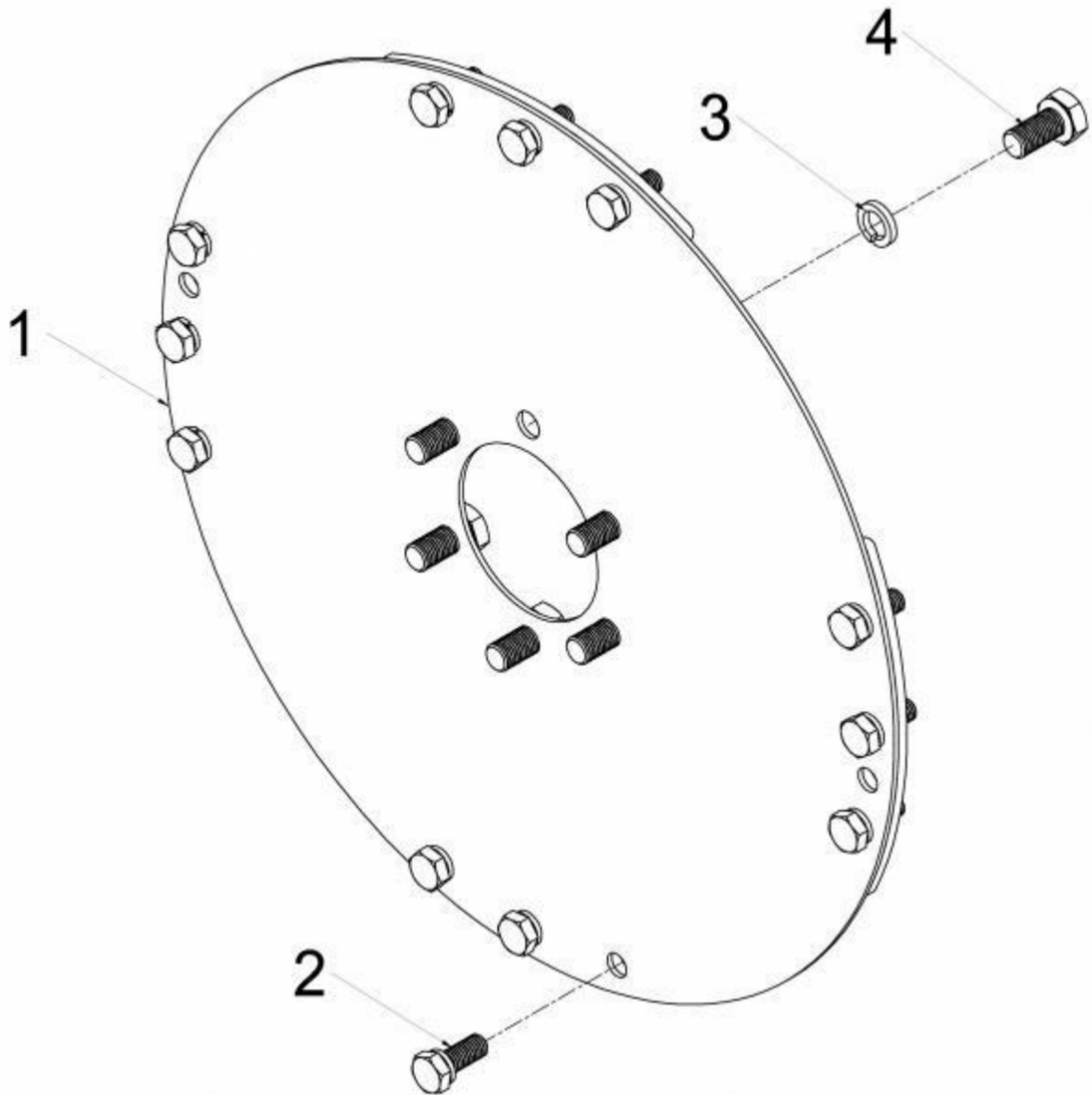
H24C3-50201 08 Reducer and differential

H24C3-50201 08 减速器与差速器

序号 No.	零部件代号 Part No.	版本 Edition	名称 Part name		数量 Q'ty	备注 Remark	
1	14453-52032	07	Case,cross(left)	左差速器壳	1		
2	14453-52041	01	Bolt	螺栓	12		
3	14453-52061	02	Lock-plate	锁片	6		
4	12003-22051	05	Bearing cover	轴承盖	2		
5	15413-22081	02	Washer	垫片	2		
6	14453-52101A	05	Cross axle	十字轴	1		
7	B4223-00010	00	Nut	螺母 M10x1.25	28	GB6171-86	GB6171-86
8	14453-22011	03	Terminal helical gear axis	终端斜齿轮轴	1		
9	14453-22021	07	Spiral bevel gear	螺旋伞齿轮	1		
10	12003-22041	03	Bushing	衬套	1		
11	14453-52011	06	Gear ring	齿圈	1		
12	16113-52121	02	Washer,thrust	止推垫圈	4		
13	14453-52051	03	Bolt	螺栓	16		
14	10113-50141	02	Lock-plate	锁片	8		
15	Z-32207	00	Bushing	轴承 32207	2	GB/T297-94	GB/T297-94
16	14453-52111	03	Lock-plate	锁片	4		
17	B0330-10025-X1	00	Combined bolt	组合螺栓 M10x25	8	GB/T9074. 1 5-88	GB/T9074. 1 5-88
18	H24C3-52001	03	Gear,side	半轴齿轮	2		
19	14453-52022	11	Case,cross(right)	右差速器壳	1		
20	15413-22021	01	Bolt	螺栓	4		
21	16113-52141	02	Mat	半轴齿轮垫	2		
22	14453-52071	02	Mat	半轴齿轮垫	2		
23	14453-52081	02	Mat	半轴齿轮垫	2		
24	14453-22031	02	Cap,bushing	轴承座	2		
25	Z-6213	00	Bearing 6213	轴承 6213	2	GB/T276-94	GB/T276-94
26	16113-52112	03	Planet gear	行星齿轮	4		

H2MD3-80011 02 Elastic plate assembly

H2MD3-80011 02 弹性板组件



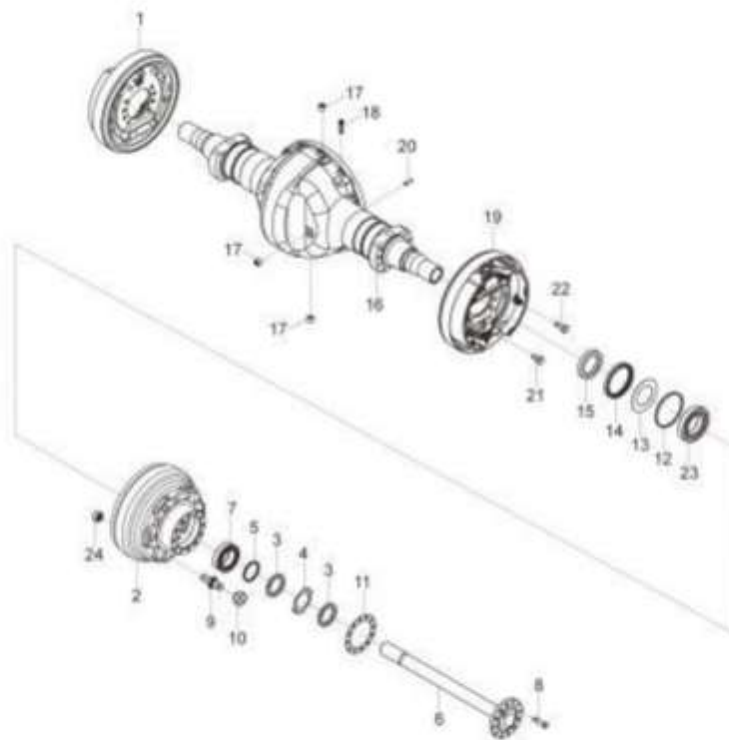
H2MD3-80011 02 Elastic plate assembly

H2MD3-80011 02 弹性板组件

序号 No.	零部件代号 Part No.	版本 Edition	名称 Part name		数量 Q'ty	备注 Remark	
1	13683-82021	02	Elastic plate	弹性板(C240)	1		
2	B0330-08020-X1	00	Composite bolt	组合螺栓 M8x20	12	GB/T9074.1 5-88	GB/T9074.1 5-88
3	B5050-00010	00	Washer	垫圈 10	6	GB93-87	GB93-87
4	12163-82801	00	Bolt M10x1.25x16	螺栓 M10x1.25x16	6	GB5786-86	GB5786-86

H9FL3-00001 04 3T integral hub drive axle assembly

H9FL3-00001 04 3T 整体式轮毂驱动桥总成



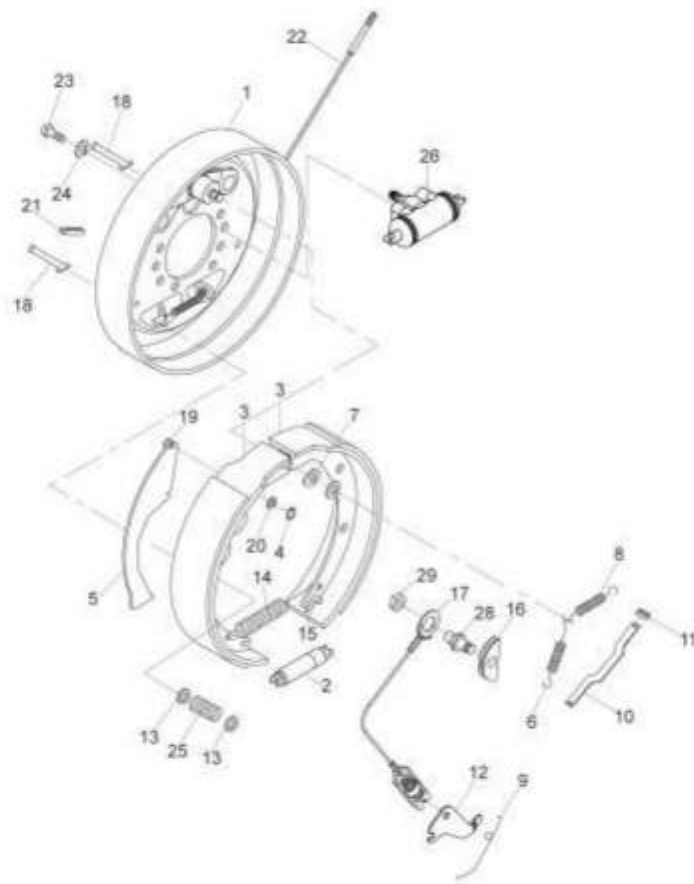
H9FL3-00001 04 3T integral hub drive axle assembly

H9FL3-00001 04 3T 整体式轮毂驱动桥总成

序号 No.	零部件代号 Part No.	版本 Edition	名称 Part name		数量 Q'ty	备注 Remark	
1	24453-70401	02	Wheel brake assembly(right)	制动器总成(右)	1		
2	H9FL3-02011	03	Integral brake drum hub (3-3.5T)	整体式制动鼓轮毂 (3-3.5t)	2		
3	A7S33-02331	01	Nut	圆螺母 M75X2	4		
4	B5512-00075	00	Washer 75	垫圈 75	2	GB858-88	GB858-88
5	HK2S3-02031	03	U-shaped seal 48x62x10	U 型密封圈 48x62x10	2		
6	H24N3-02011A	01	Half,shaft	半轴	2		
7	Z-32015	00	Bearing 32015	轴承 32015	2	GB/T297-94	GB/T297-94
8	24453-02061	03	Bolt	螺栓	24		
9	25303-02102	04	Bolt	螺栓	12		
10	23913-02041	01	Nut	螺母	12		
11	H24N3-02081	01	Packing	半轴垫 (双胎)	2		
12	H24N3-02061	01	Snap ring	挡环	2		
13	H24N3-02071	02	Ring	挡油环	2	GB119-86	GB119-86
14	H24N3-02131	01	U-shaped seal 110x140x12	U 型密封圈 110x140x12	2		
15	H24N3-02051	02	Snap ring	油封挡圈	2	GB/T297-94	GB/T297-94
16	H24N3-02161C	01	Housing,axle	桥壳(3-3.5t 单胎)	1		
17	22193-03001	02	Plug	堵塞	3		
18	22253-02063C	01	Breather plug	透气塞	1		
19	24453-70411	02	Wheel brake assembly(left)	制动器总成(左)	1		
20	B3120-10030	00	Pin B10x30	销 B10x30	1	GB119-86	GB119-86
21	A22A3-02051	03	Bolt	螺栓	12		
22	25953-72001	03	Bolt	螺栓	4		
23	Z-32216	00	Bearing	轴承	2	GB/T297-94	GB/T297-94
24	B4223-00020	00	Nut	螺母 M20x1.5	12	GB6171-86	GB6171-86

24453-70401 02 Wheel brake assembly(right)

24453-70401 02 制动器总成(右)

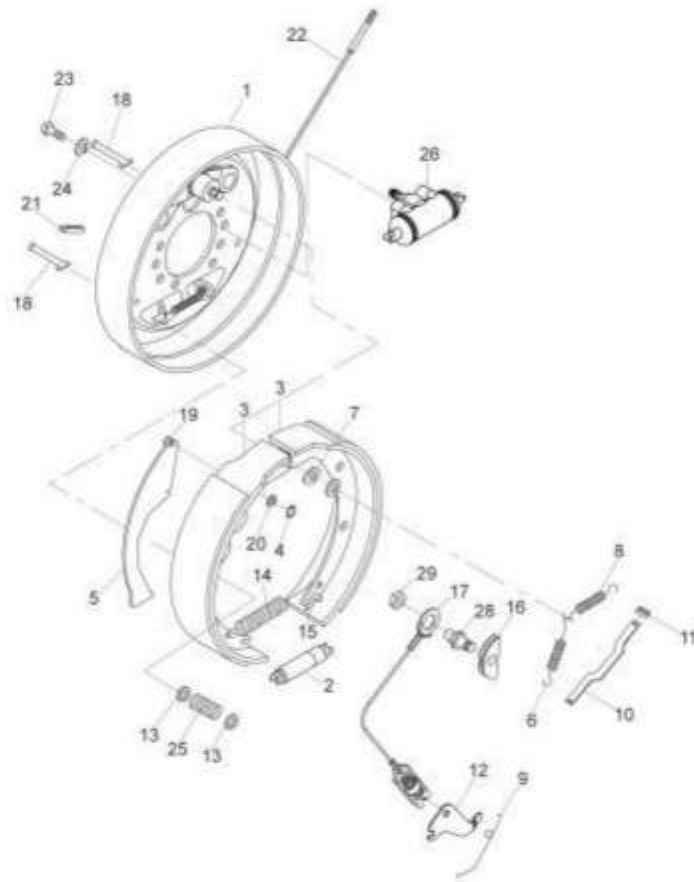


24453-70401 02 Wheel brake assembly(right)

24453-70401 02 ()							
序号 No.	零部件代号 Part No.	版本 Edition	名称 Part name		数量 Q'ty	备注 Remark	
1	24433-72000GR	00	Back plate assembly	制动器底板总成 右 ()	1		
2	24433-74000GR	00	Adjuster R.H.	间隙调整器总成(右)	1		
3	24433-71000GA	00	Brake shoe & friction plate assembly	制动蹄带摩擦片总成	2		
4	A01C3-72621	00	Snap ring,pin axle	杆销挡圈	1		
5	24433-70140GR	00	Rod	手制动拉杆(右)	1		
6	24433-70061GL	00	Return spring	制动蹄回位弹簧 左) (1		
7	24433-70070G	00	Plate	导向板	1		
8	24433-70061GR	00	Return spring	制动蹄回位弹簧 右) (1		
9	24433-70090GR	00	Spring	弹簧(右)	1		
10	24433-70120GR	00	Push rod	手制动推杆(右)	1		
11	24433-70130G	00	Spring	弹簧	1		
12	24433-70100GR	00	Pawl	棘爪(右)	1		
13	A01C3-72111	00	Spring seat	压簧座	4		
14	24433-70050G	00	Spring,return	回位弹簧	1		
15	A01C3-72601	00	Pin	销轴	1		
16	24433-70080GA	00	Guide	导向块	1		
17	24433-73000G	00	Wire unit,spring	弹簧拉线装置	1		
18	A01C3-72091	00	Pull rod	压簧拉杆	2		
19	24433-70150G	00	Screw	销钉	1		
20	A01C3-72611	00	Spring shim	弹性垫片	1		
21	24433-70040G	00	Plug	胶塞	1		
22	OC11246-24603	00	Cable	制动钢索总成(右)	1		
23	B0330-08020	00	Bolt	螺栓 M8x20	2	GB5783-86	GB5783-86
24	B5050-00008	00	Washer	垫圈 8	2	GB93-87	GB93-87
25	24433-70030G	00	Spring	压簧	2		
26	24433-76000GR	00	Wheel cylinder(right)	制动分泵(右)	1		
27	24433-76000GXLB	00	Wheel cylinder repair kits	制动分泵修理包	1	Package	打包件
28	24433-00062	00	Pin	导向块销轴	1		
29	B4313-00012	00	Nut	螺母 M12	1	GB6172-86	GB6172-86

24453-70411 02 Wheel brake assembly(left)

24453-70411 02 制动器总成(左)

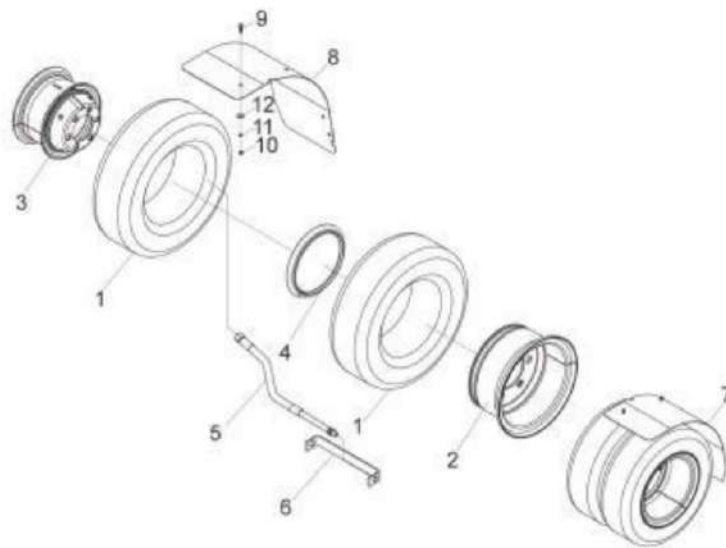


24453-70411 02 Wheel brake assembly(left)

24453-70411 02 ()							
序号 No.	零部件代号 Part No.	版本 Edition	名称 Part name		数量 Q'ty	备注 Remark	
1	24433-72000GL	00	Back plate assembly	制动器底板总成 左 ()	1		
2	24433-74000GL	00	Adjuster L.H.	间隙调整器总成(左)	1		
3	24433-71000GA	00	Brake shoe & friction plate assembly	制动蹄带摩擦片总成	2		
4	A01C3-72621	00	Snap ring,pin axle	杆销挡圈	1		
5	24433-70140GL	00	Rod	手制动拉杆(左)	1		
6	24433-70060GL	00	Return spring	制动蹄回位弹簧 左) (1		
7	24433-70070G	00	Plate	导向板	1		
8	24433-70060GR	00	Return spring	制动蹄回位弹簧 右) (1		
9	24433-70090GL	00	Spring	弹簧(左)	1		
10	24433-70120GL	00	Push rod	手制动推杆(左)	1		
11	24433-70130G	00	Spring	弹簧	1		
12	24433-70100GL	00	Pawl	棘爪(左)	1		
13	A01C3-72111	00	Spring seat	压簧座	4		
14	24433-70050G	00	Spring,return	回位弹簧	1		
15	A01C3-72601	00	Pin	销轴	1		
16	24433-70080GA	00	Guide	导向块	1		
17	24433-73000G	00	Wire unit,spring	弹簧拉线装置	1		
18	A01C3-72091	00	Pull rod	压簧拉杆	2		
19	24433-70150G	00	Screw	销钉	1		
20	A01C3-72611	00	Spring shim	弹性垫片	1		
21	24433-70040G	00	Plug	胶塞	1		
22	OC11246-14603	00	Cable	制动钢索总成 (左)	1		
23	B0330-08020	00	Bolt	螺栓 M8x20	2	GB5783-86	GB5783-86
24	B5050-00008	00	Washer	垫圈 8	2	GB93-87	GB93-87
25	24433-70030G	00	Spring	压簧	2		
26	24433-76000GL	00	Wheel cylinder(left)	制动分泵(左)	1		
27	24433-76000GXLB	00	Wheel cylinder repair kits	制动分泵修理包	1	Package	打包件
28	24433-00062	00	Pin	导向块销轴	1		
29	B4313-00012	00	Nut	螺母 M12	1	GB6172-86	GB6172-86

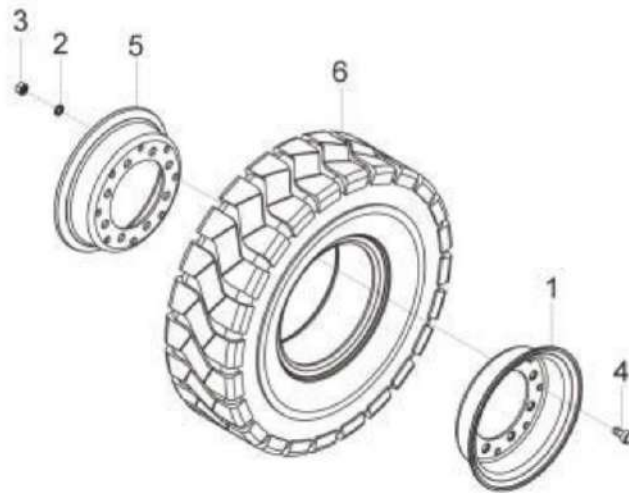
HRK9FL4402 00 Drive wheel (double tires)

HRK9FL4402 00 双胎前轮



GY2Y4-30001 02 Rear wheel assembly

GY2Y4-30001 02 后轮总成



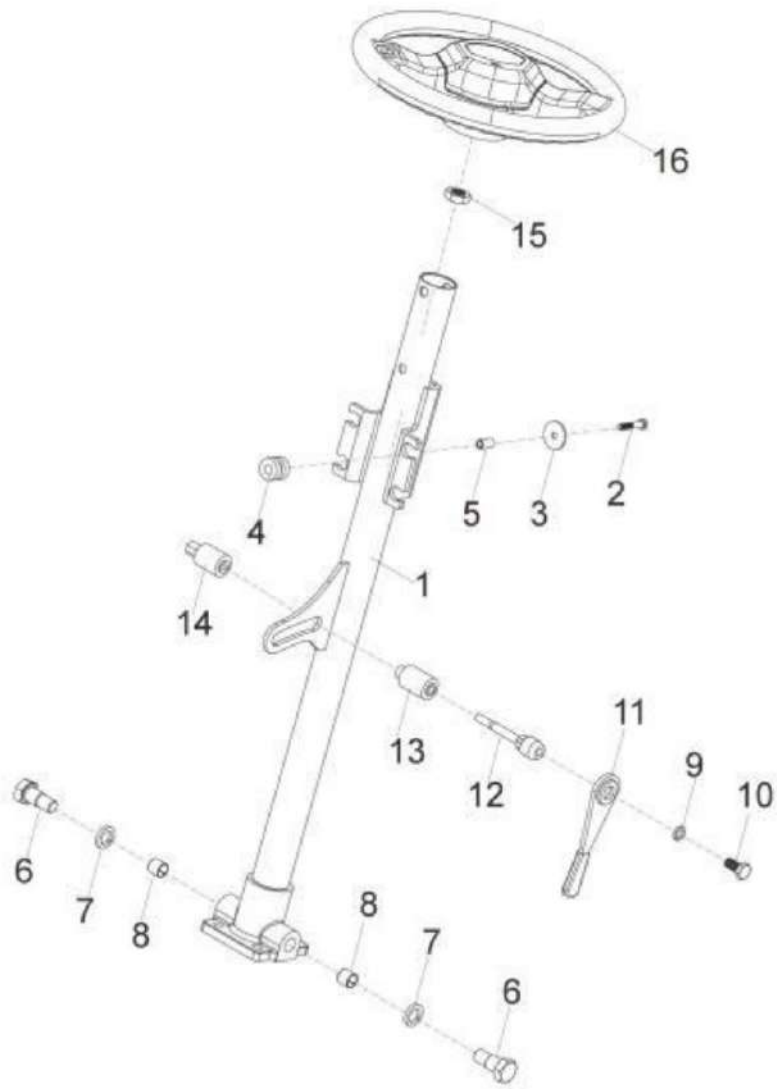
GY2Y4-30001 02 Rear wheel assembly

GY2Y4-30001 02 后轮总成

序号 No.	零部件代号 Part No.	版本 Edition	名称 Part name		数量 Q'ty	备注 Remark	
1	H24N4-32011	04	Rim,outside	外轮辋	2		
2	B5050-00012	00	Washer	垫圈 12	16	GB93-87	GB93-87
3	B4223-00012	00	Nut M12x1.25	螺母 M12x1.25	16	GB6171-86	GB6171-86
4	H24N4-32021	02	Bolt	轮辋螺栓	16		
5	H24N4-32001	04	Rim,inside	内轮辋	2		
6	Z3003-65010	00	Tire	充气轮胎 6.5-10-10PR	2	GB/T2982-2001	GB/T2982-2001
6	Z3300-65010	00	Tire	前进实心胎(3-3.5t 后轮)	2		
6	Z3300-65010B	00	No-marking tire	白色无痕实心胎 (后轮)	2		

K2TJ4-10001 03 Steering system

K2TJ4-10001 03 转向系统



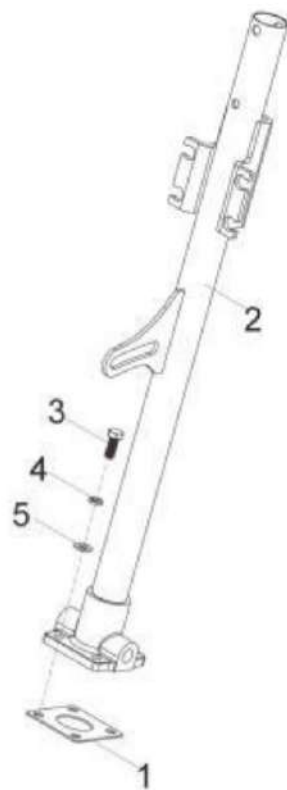
K2TJ4-10001 03 Steering system

K2TJ4-10001 03 转向系统

序号 No.	零部件代号 Part No.	版本 Edition	名称 Part name		数量 Q'ty	备注 Remark	
1	K2TJ4-10201	01	Column	转向管柱总成	1		
2	B0230-06035	00	Bolt	螺栓 M6x35	4	GB5782-86	GB5782-86
3	B5210-00008	00	Washer	垫圈 8	4	GB96-85	GB96-85
4	A22A4-12101	00	Rubber	橡胶套	4		
5	A22A4-12111	00	Spacer	套管	4		
6	24624-12001G	00	Bolt	螺栓	2		
7	B5050-00016	00	Washer	垫圈 16	2	GB93-87	GB93-87
8	Z2111-01415	00	Bushing	钢背轴承	2	Q/AC40001-2002	Q/AC40001-2002
9	B5050-00010	00	Washer	垫圈 10	1	GB93-87	GB93-87
10	B0330-10020	00	Bolt	螺栓 M10x20	1	GB5783-86	GB5783-86
11	KM914-10501	01	Lever	手柄总成	1		
12	KM914-12021	02	Bolt	螺栓	1		
13	KM914-12031	02	Spacer	套管	1		
14	KM914-12011	04	Nut	螺母	1		
15	B4413-00016	00	Nut	螺母 M16x1.5	1	GB6173-86	GB6173-86
16	K9FL4-14011	00	Steering wheel assembly	方向盘总成 Φ330(带“HELI”字样、带球形把手)	1	With HELI, with knob	带 HELI 字样,带球形把手
16	K9FL4-14031	00	Steering wheel assembly	方向盘总成 Φ330(带“HELI”字样、无球形把手)	1	With HELI, no knob	带 HELI 字样,无球形把手
16	K2TJ4-14021	00	Steering wheel assembly	方向盘总成 Φ330(带“CHL”字样、无球形把手)	1	With CHL, no knob	带 CHL 字样,无球形把手
16	K2TJ4-14011	00	Steering wheel assembly	方向盘总成 Φ330(带“CHL”字样、带球形把手)	1	With CHL, with knob	带 CHL 字样,带球形把手
16	K9FL4-14021	00	Steering wheel assembly	方向盘总成 Φ330(无“HELI”字样、带球形把手)	1	Neutral packing, with knob	中性包装,带球形把手
16	K9FL4-14041	00	Steering wheel assembly	方向盘总成 Φ330(中性包装、无球形把手)	1	Neutral Packing, No knob	中性包装,无球形把手

K2TJ4-10201 00 Column

K2TJ4-10201 00 转向管柱总成



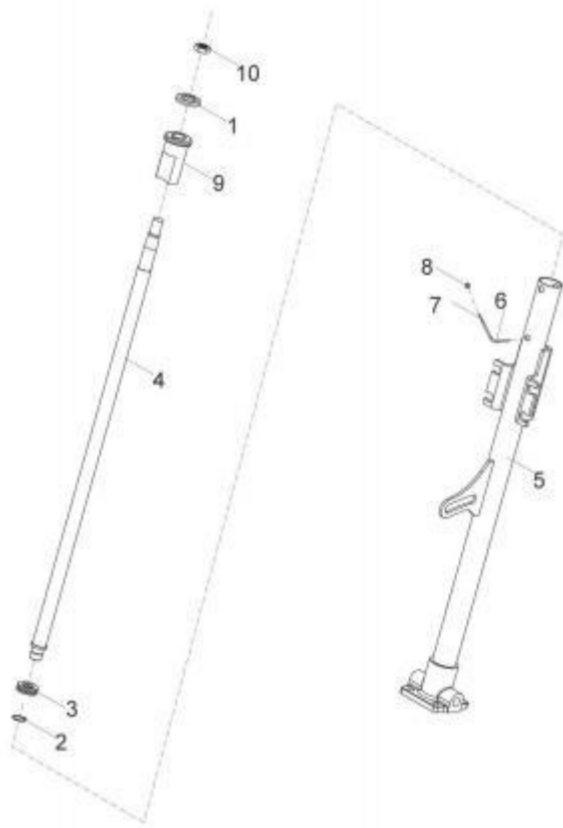
K2TJ4-10201 00 Column

K2TJ4-10201 00 转向管柱总成

序号 No.	零部件代号 Part No.	版本 Edition	名称 Part name		数量 Q'ty	备注 Remark	
1	K2TJ4-12031	00	Shim	调整垫	1		
2	K2TJ4-10301	02	Column	转向管柱总成	1		
3	B0330-10025	00	Bolt	螺栓 M10x25	4	GB5783-86	GB5783-86
4	B5050-00010	00	Washer	垫圈 10	4	GB93-87	GB93-87
5	B5310-00010	00	Washer	垫圈 10	4	GB97.1-85	GB97.1-85

K2TJ4-10301 02 Column

K2TJ4-10301 02 转向管柱总成



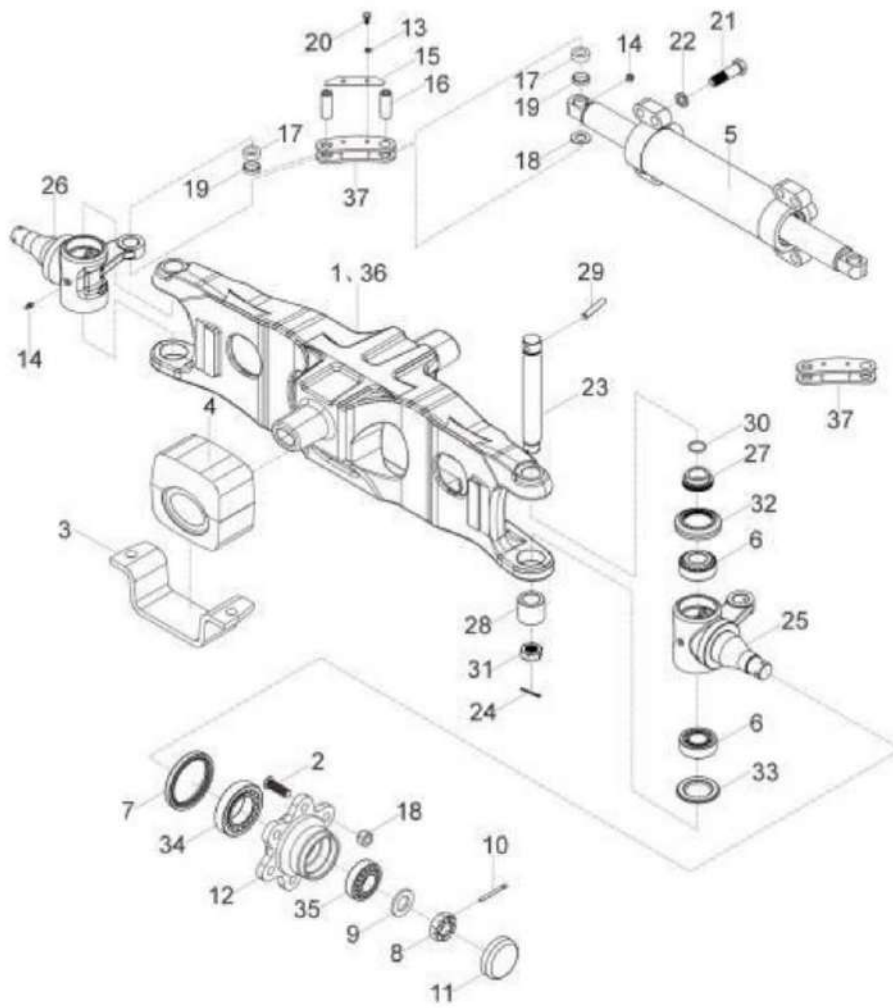
K2TJ4-30011 01 Steering axle

K2TJ4-30011 01 转向桥总成

序号 No.	零部件代号 Part No.	版本 Edition	名称 Part name		数量 Q'ty	备注 Remark	
1	K2TJ4-30021	01	Steering axle	转向桥	1	Include 5-37	包含 5-37
1	K2TJ4-30021-HT	00	Steering axle	转向桥	1		带转向缸防护套
2	23654-34051	05	Nut	轮毂螺母	16		
3	K2TJ4-32071	00	Support	支架	2		
4	K2TJ4-32061	01	Cushion	减震块	2		
5	K2TJ4-30101	00	Steering cylinder	转向油缸	2		
6	Z-33206	00	Bearing 33206	轴承 33206	4	GB/T297-94	GB/T297-94
7	Z6301-08524	00	Skeleton oil seal TC/85x110x12D	骨架油封 TC/85x110x12D	2	GB/T9877.1-88	GB/T9877.1-88
8	A21B4-32311	00	Nut M30x2	螺母 M30x2	2		
9	B5310-00030	00	Washer 30	垫圈 30	2	GB97.1-85	GB97.1-85
10	B3010-6P360	00	Pin 6.3x60	销 6.3x60	2	GB91-86	GB91-86
11	A21B4-32231	01	Hub cover	轮毂盖	2		
12	A21B4-32241	02	Hub,wheel	轮毂	2		
13	B5050-00008	00	Washer	垫圈 8	4		
14	Q700B06	01	Fitting	直通式滑油嘴	6	ZBT33001.2-88	ZBT33001.2-88
15	A21B4-32300	00	Baffle	挡板	2		
16	A21B4-32261A	00	Link pin	连杆销	4		
17	H24C4-32061	02	Bearing	关节轴承	4		
18	H24N4-32031	01	Bolt	轮毂螺栓	16		
19	H24C4-12003	02	Dushing	衬套	4		
20	B0330-08020	00	Bolt	螺栓 M8x20	4	GB5783-86	GB5783-86
21	B0330-16060	00	Bolt M16X65	螺栓 M16X65	8	GB5783-86	GB5783-86
22	B5050-00016	00	Washer	垫圈 16	8	GB93-87	GB93-87
23	G27Z4-33041	00	King Pin,steering knuckle	转向节主销	2		
24	B3010-3P230	00	Pin	开口销 3.2x30	2	GB91-86	GB91-86
25	K2TJ4-32011	00	Left steering kunckle	左转向节总成	1		
26	K2TJ4-32021	00	Steering knuckle	转向节(右)	1		
27	G27Z4-33051	00	Spacer	隔套	2		
28	G27Z4-33071	00	Dushing	衬套	2		
29	G27Z4-33061	01	Pin	槽销	2		
30	Z6053-02502	00	O-ring 25x2.65	O 形密封圈 25x2.65	2	GB3452.1-92	GB3452.1-92

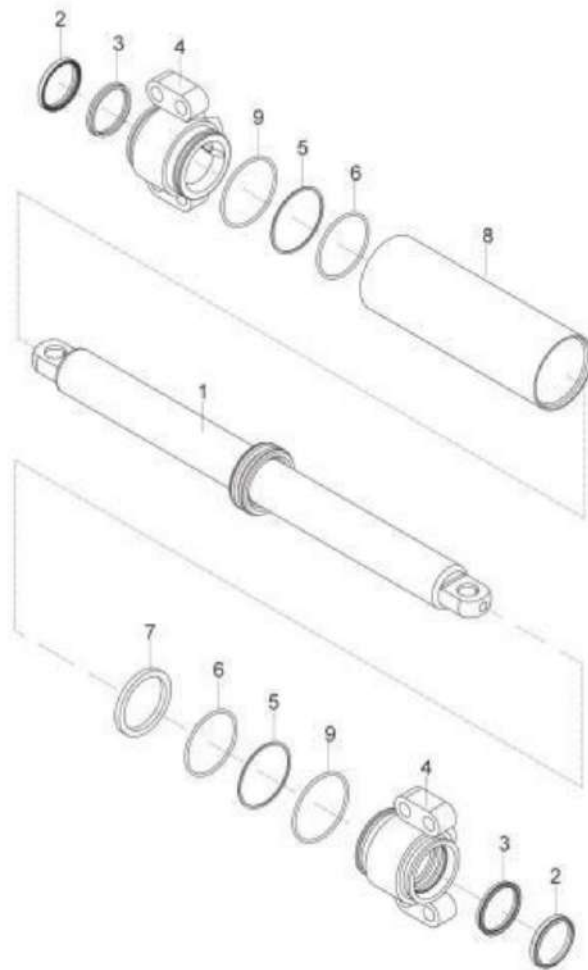
K2TJ4-30011 01 Steering axle

K2TJ4-30011 01 转向桥总成



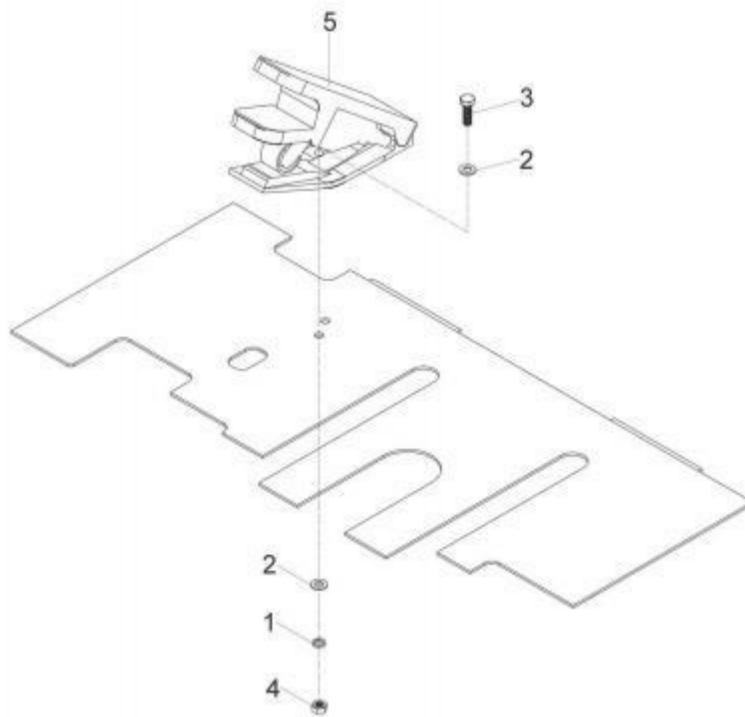
K2TJ4-30101 00 Steering cylinder

K2TJ4-30101 00 转向油缸



K9TK5-20001 01 Electronic throttle control system

K9TK5-20001 01 电子油门操纵系统



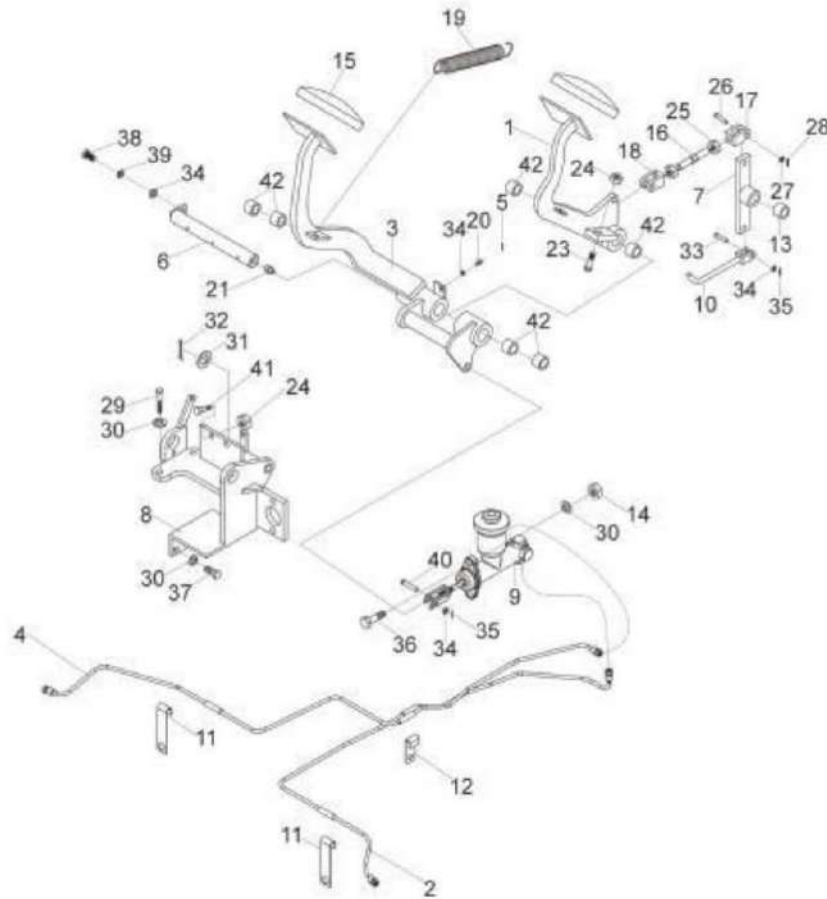
K9TK5-20001 01 Electronic throttle control system

K9TK5-20001 01 电子油门操纵系统

序号 No.	零部件代号 Part No.	版本 Edition	名称 Part name		数量 Q'ty	备注 Remark	
1	B5050-00008	00	Washer	垫圈 8	2	GB93-87	GB93-87
2	B5310-00008	00	Washer	垫圈 8	4	GB97.1-85	GB97.1-85
3	B0330-08025	00	Bolt	螺栓 M8x25	2	GB5783-86	GB5783-86
4	B4123-00008	00	Nut	螺母 M8	2	GB6170-86	GB6170-86
5	K0W55-60301	02	Bracket assembly	电子油门踏板总成	1		

REF104804G 05 Inching pedal

REF104804G 05 行车制动与微动操纵装置



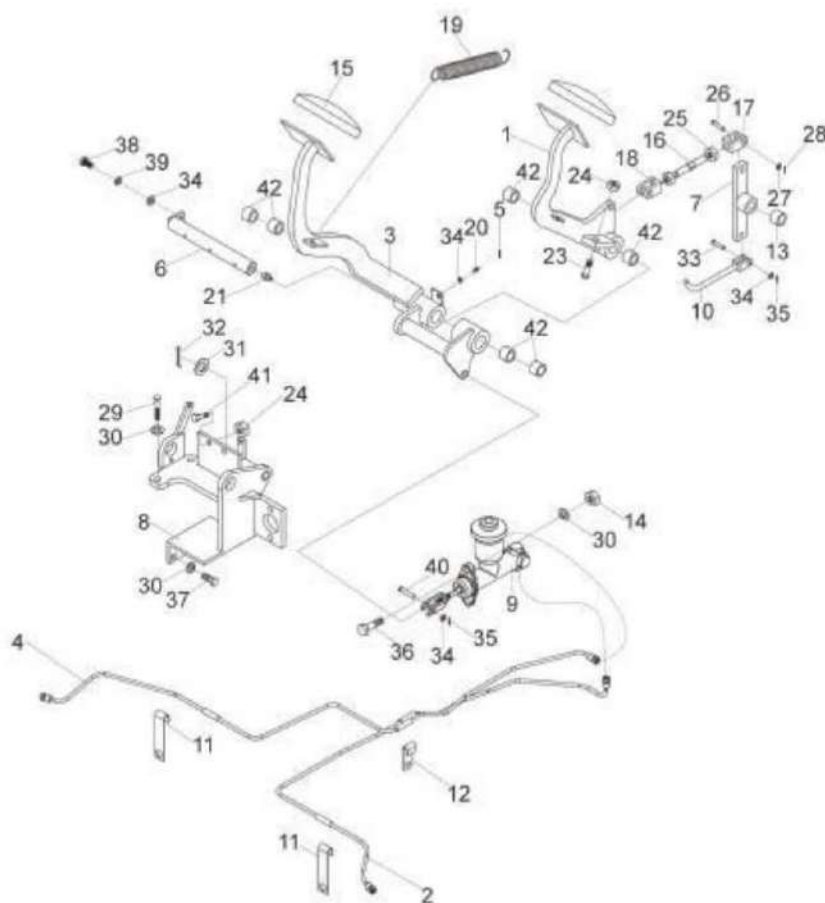
REF104804G 05 Inching pedal

REF104804G 05 行车制动与微动操纵装置

序号 No.	零部件代号 Part No.	版本 Edition	名称 Part name		数量 Q'ty	备注 Remark	
1	24465-40312	01	Service brake & inching control	微动踏板	1	Include 42	包含 42
2	24455-42191G	02	Oil pipe	油管总成	1		
3	24465-40212	01	Pedal,brake	制动踏板	1	Include 42	包含 42
4	24455-42171G	02	Oil pipe	制动油管	1		
5	B3010-02020	00	Pin	销 2x20	1	GB91-86	GB91-86
6	25595-42182	00	Shaft,oil	油轴	1		
7	24465-42181	01	Link	摇臂	1	Include 43	包含 43
8	24465-42131	01	Support	支架	1		
9	25595-40302A	00	Brake pump	制动总泵	1	Include 22	包含 22
10	22505-42001	01	Joint	连接杆	1		
11	24455-42211G	01	Pipe clamp	管夹	2		
12	24245-42201	01	Pipe clamp	管夹	2		
13	Z2131-01625	00	Bushing	钢背轴承 16x25	1		
14	B4123-00010	00	Nut	螺母 M10	3	GB6170-86	GB6170-86
15	25595-42071	03	Head cover	脚制动垫	2		
16	23745-42031	00	Rod	螺杆 REF105264 制动	1		
17	23745-42052	01	Clevis	支耳(左)	1	REF339703	REF339703
18	23745-42042	01	Clevis	支耳(右)	1	REF339703	REF339703
19	20155-30061	03	Spring	弹簧	2		
20	23235-40091	04	Stopper,rubber	橡胶顶轴	1		
21	Z2500-01010	00	Oil cup	油杯 \times M10 1	1	ZBT7940. 1-1995	ZBT7940. 1-1995
22	25595-40302AXLB	00	Repair kit,brake pump	制动总泵修理包	1		
23	B0530-10045	00	Bolt	螺栓 M10x1.25x45	1	GB5786-86	GB5786-86
24	B4223-00010	00	Nut	螺母 M10x1.25	2	GB6171-86	GB6171-86
25	B4123-10010	00	Nut	螺母 M10(左)	1	GB6170-86	GB6170-86
26	B3220-10032	00	Pin B10x32	销 B10x32	2	GB882-86	GB882-86
27	B5310-00010	00	Washer	垫圈 10	2	GB97.1-85	GB97. 1-85
28	B3010-3P220	00	Pin 3.2x20	销 3.2x20	2	GB91-86	GB91-86
29	B0330-10025-X1	00	Combined bolt	组合螺栓 M10x25	2	GB/T9074. 1 5-88	GB/T9074.1 5-88
30	B5050-00010	00	Washer	垫圈 10	2	GB93-87	GB93-87
31	B5310-00016	00	Washer	垫圈 16	1	GB97.1-85	GB97. 1-85

REF104804G 05 Inching pedal

REF104804G 05 行车制动与微动操纵装置



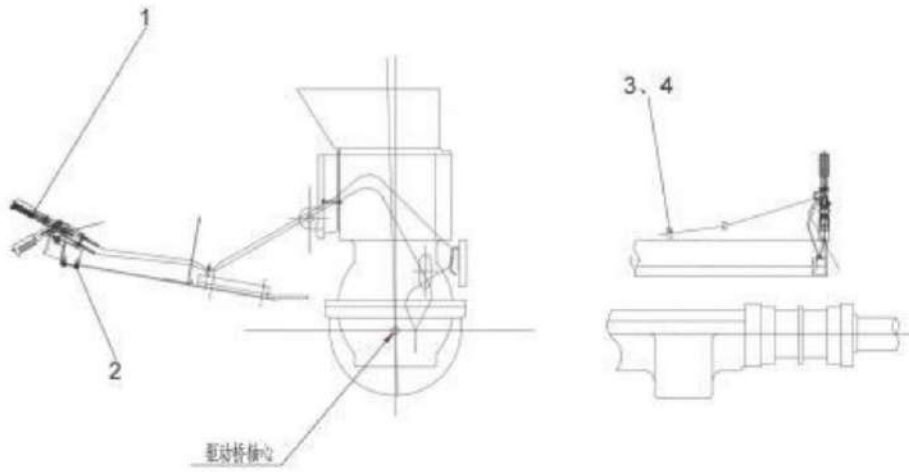
REF104804G 05 Inching pedal

REF104804G 05 行车制动与微动操纵装置

序号 No.	零部件代号 Part No.	版本 Edition	名称 Part name		数量 Q'ty	备注 Remark	
32	B3010-04026	00	Pin 4x26	销 4x26	1	GB91-86	GB91-86
33	B3220-08030	00	Pin B8x30	销 B8x30	1	GB882-86	GB882-86
34	B5310-00008	00	Washer	垫圈 8	4	GB97.1-85	GB97.1-85
35	B3010-02016	00	Pin 2 x16	销 2x16	3	GB91-86	GB91-86
36	B0330-10030	00	Bolt	螺栓 M10x30	2	GB5783-86	GB5783-86
37	B0330-10020-X	00	Combined bolt	组合螺栓 M10x20	2	GB/T9074.1 7-88	GB/T9074.1 7-88
38	B0330-08016	00	Bolt	螺栓 M8x16	1	GB5783-86	GB5783-86
39	B5050-00008	00	Washer	垫圈 8	1	GB93-87	GB93-87
40	B3220-08026	00	Pin	销 B8x26	1	GB882-86	GB882-86
41	B0530-10030	00	Bolt	螺栓 M10x1.25x30	1	GB5785-85	GB5785-85
42	Z2132-02525	00	Bushing 2525	钢背轴承 2525	6		

HRK2TJ5501 00 Brake lever

HRK2TJ5501 00 停车制动装置



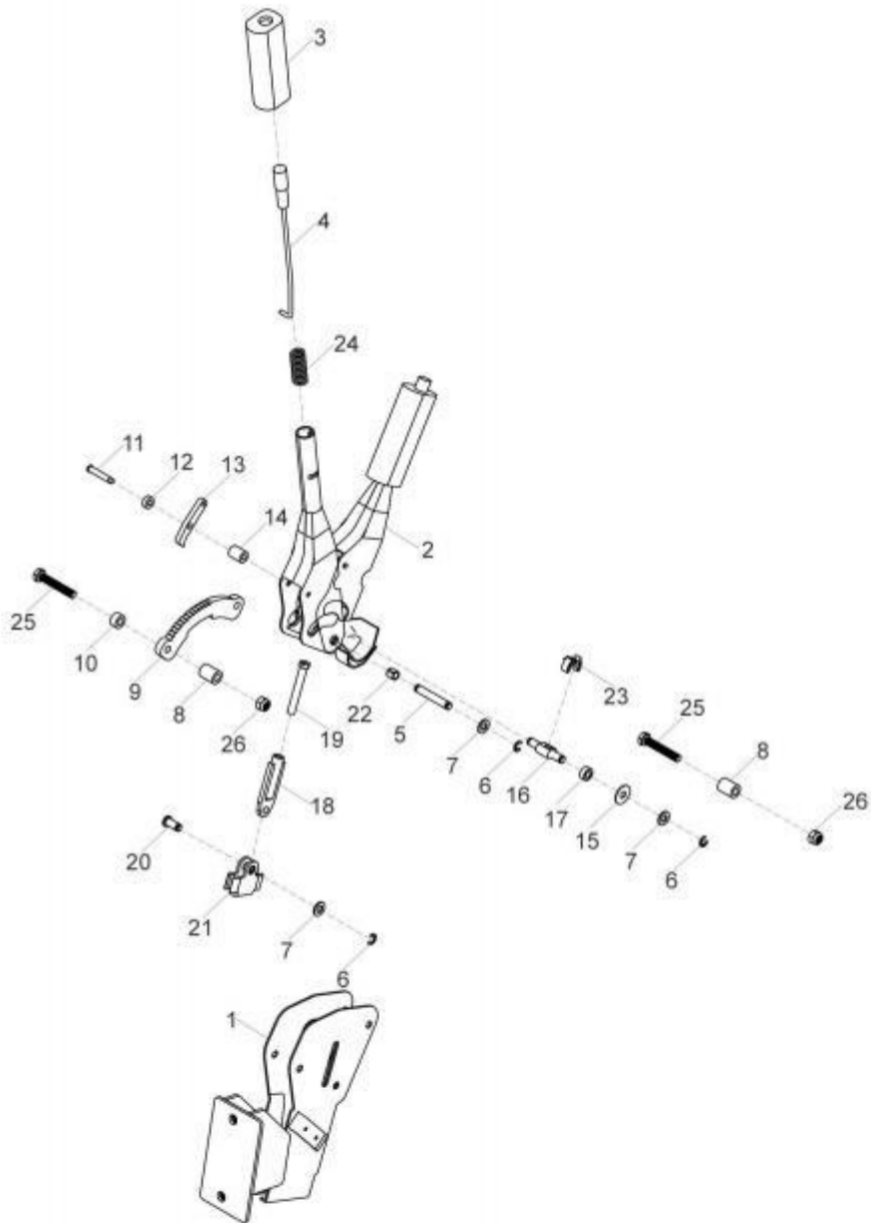
HRK2TJ5501 00 Brake lever

HRK2TJ5501 00 停车制动装置

序号 No.	零部件代号 Part No.	版本 Edition	名称 Part name		数量 Q'ty	备注 Remark	
1	K2TJ5-50101	00	Hand brake	手制动总成	1		
1	K2TJ5-50111	01	Hand brake	手制动总成	1		
2	B0330-10025-X	00	Combined bolt	组合螺栓 M10x25	2	GB/T9074. 1 5-88	GB/T9074. 1 5-88
3	22495-55611	03	Pothook	手制动管托	1		
4	22495-55621G	03	Pothook	机械车拉索吊钩	1		

K2TJ5-50111 01 Hand brake

K2TJ5-50111 01 手制动总成



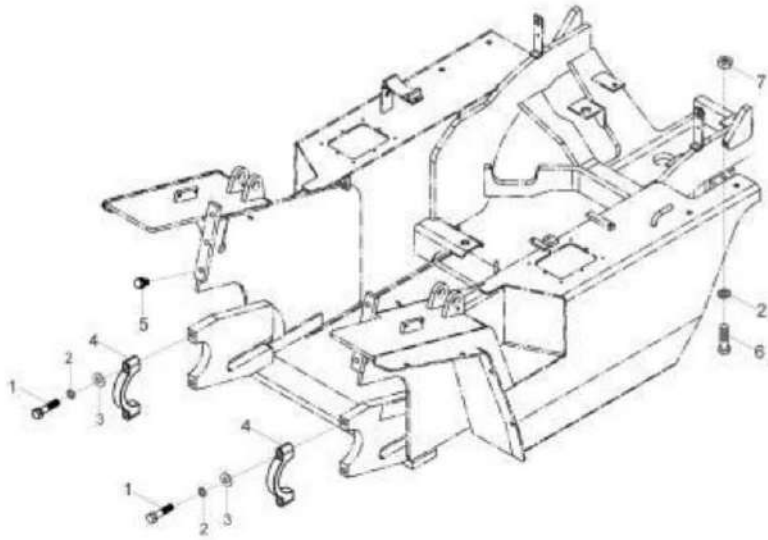
K2TJ5-50111 01 Hand brake

K2TJ5-50111 01 手制动总成

序号 No.	零部件代号 Part No.	版本 Edition	名称 Part name		数量 Q'ty	备注 Remark	
1	K2TJ5-50201	00	Bracket	手制动壳总成	1		
2	H9MF5-50301	00	Lever	手柄总成	1		
3	Q64H5-52001	02	Sheath	手柄套	1		
4	G2TA5-50401	01	Push rod	推杆总成	1		
5	G2TA5-52121	02	Pin	固定销	1		
6	B6250-00006	00	Snap ring	挡圈 6	5	GB896-86	GB896-86
7	B5310-00008	00	Washer	垫圈 8	6	GB97.1-85	GB97.1-85
8	G2TA5-52171	03	Sleeve	套筒 3	2		
9	G2TA5-52111	03	Ratch	棘齿	1		
10	G2TA5-52181	03	Sleeve	套筒 4	2		
11	G2TA5-52141	02	pin	销轴	1		
12	G2TA5-52161	03	Sleeve	套筒 2	1		
13	G2TA5-52101	02	Pawl	棘爪	1		
14	G2TA5-52151	03	Sleeve	套筒 1	1		
15	239A5-58101	00	Washer	垫圈	2		
16	G2TA5-52131	02	Pin	连接销	1		
17	239A5-54101	00	Sleeve	套	2		
18	239A5-50140	00	Rod	拉杆	1		
19	G2TA5-52201	01	Bolt	螺栓 M8×55	1	GB29.1-88	GB29.1-88
20	239A5-53101	00	Shaft	轴	1		
21	21235-52171G	01	Bracket	挂线架	1		
22	Z2111-00810	00	Bushing	钢背轴承 0810	2	Q/AC40001-2002	Q/AC40001-2002
23	G2TA5-52191	01	Catch	弹簧卡	1		
24	239A5-52101	00	Spring	弹簧	1		
25	B0330-08050	00	Bolt M8x50	螺栓 M8x50	2	GB5783-86	GB5783-86
26	B7720-00008	00	Nut	螺母 M8	2	GB889-86	GB889-86

K2TJ6-10021 00 Frame

K2TJ6-10021 00 车架 (二)



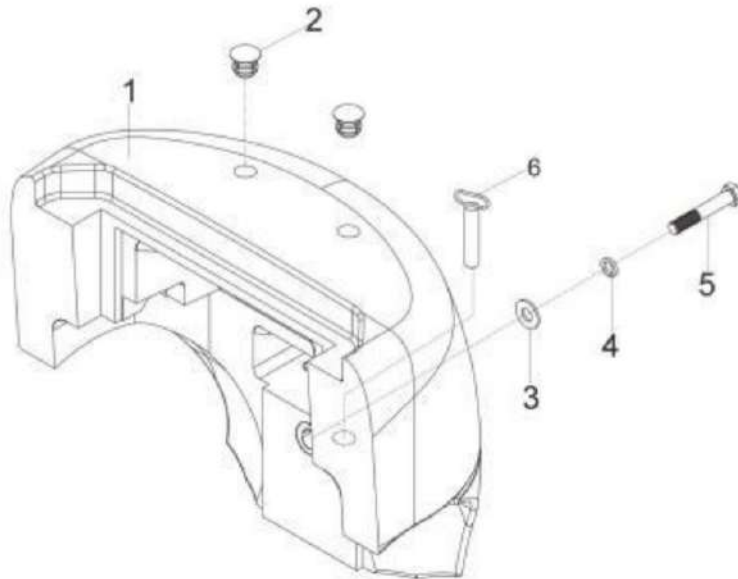
K2TJ6-10021 00 Frame

K2TJ6-10021 00 车架 (二)

序号 No.	零部件代号 Part No.	版本 Edition	名称 Part name		数量 Q'ty	备注 Remark	
1	B0430-16070	00	Bolt M16x1.5x70	螺栓 M16x1.5x70	4	GB5785-86	GB5785-86
2	B5050-00016	00	Washer	垫圈 16	14	GB93-87	GB93-87
3	B5310-00016	00	Washer	垫圈 16	10	GB97.1-85	GB97.1-85
4	22018-30064	02	Mast support cover	门架支座盖	2		
5	B0530-16035	00	Bolt M16x1.5x35	螺栓 M16x1.5x35	6	GB5786-86	GB5786-86
6	B0230-16055	00	Bolt M16x55	螺栓 M16x55	4	GB5782-86	GB5782-86
7	B4123-00016	00	Nut	螺母 M16	4	GB6170-86	GB6170-86

HRKM226301 01 Counter weight mount

HRKM226301 01 平衡重安装



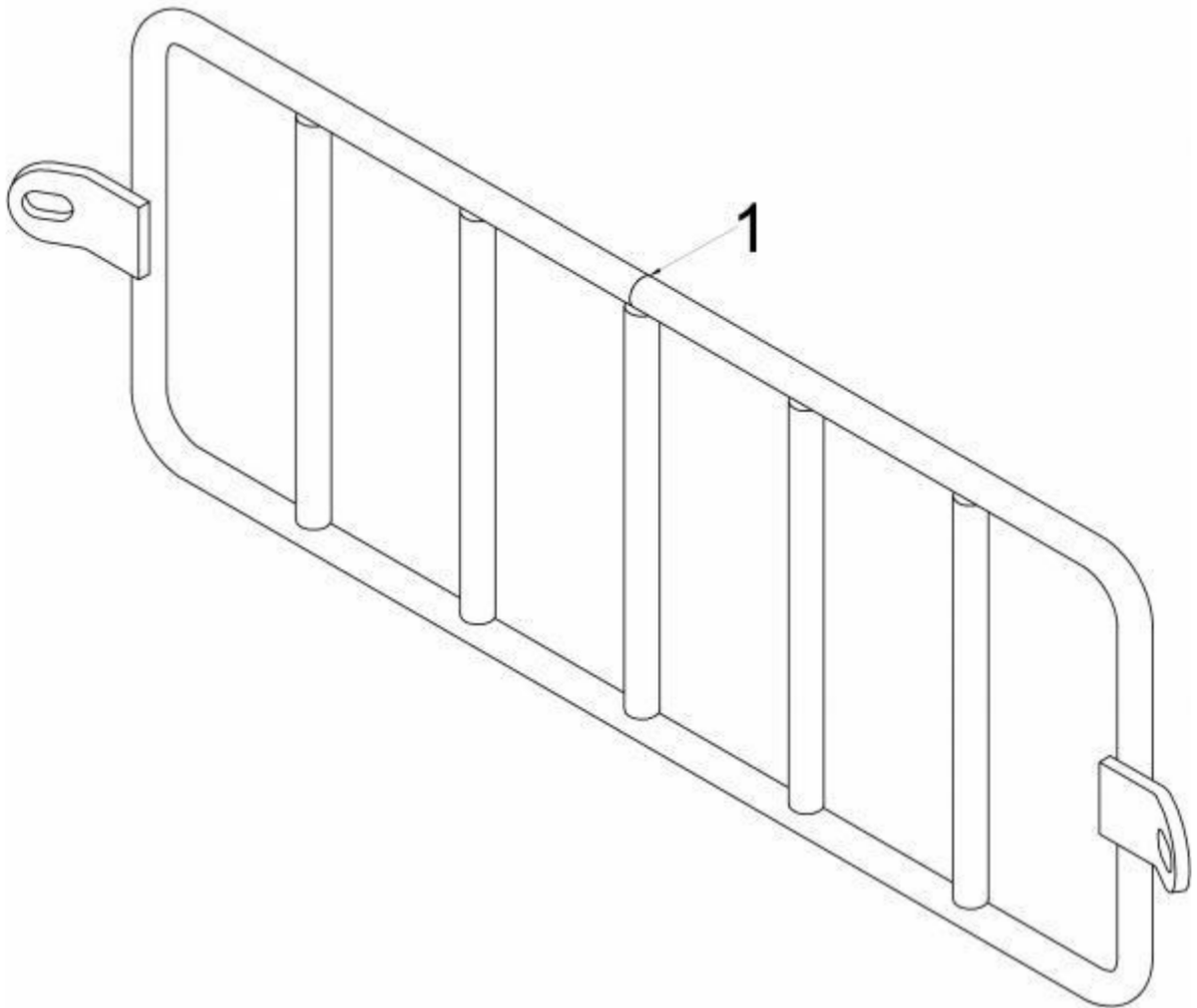
HRKM226301 01 Counter weight mount

HRKM226301 01 平衡重安装

序号 No.	零部件代号 Part No.	版本 Edition	名称 Part name		数量 Q'ty	备注 Remark	
1	KM226-32011	01	Counter weight	平衡重	1	3.0t High exhaust	3.0t 高排气
1	K3P46-32011	01	Counter weight	平衡重	1	3.5t High exhaust	3.5t 高排气
1	KM226-32001	00	Counter weight	平衡重	1	3.0t Median exhaust	3.0t 中位排气
1	K3P46-32001	00	Counter weight	平衡重	1	3.5t Median exhaust	3.5t 中位排气
1	K3P46-32021	00	Counter weight	平衡重	1	Neutral packaging,3.5t Middle exhaust	中性包装,3.5t 中位排气
1	K3P46-32031	00	Counter weight	平衡重	1	Neutral packaging,3.5t High exhaust	中性包装,3.5t 高排气
1	KM226-32031	00	Counter weight	平衡重	1	Neutral packaging,3.0t High exhaust	中性包装,3.0t 高排气
1	KM226-32021	00	Counter weight	平衡重	1	Neutral packaging,3.0t Middle exhaust	中性包装,3.0t 中位排气
2	K2TD6-32011	00	Cap	平衡重饰盖	1		
3	22216-30051	02	Washer	平垫圈	1		
4	B5050-00030	00	Washer 30	垫圈 30	2	GB93-87	GB93-87
5	B0230-30200	00	Bolt M30x200	螺栓 M30x200	1	GB5782-86	GB5782-86
6	25596-32051	03	Pin,drop	牵引销	1		

H2LD6-10201 03 Counter weight shield assembly

H2LD6-10201 03 平衡重防护网总成



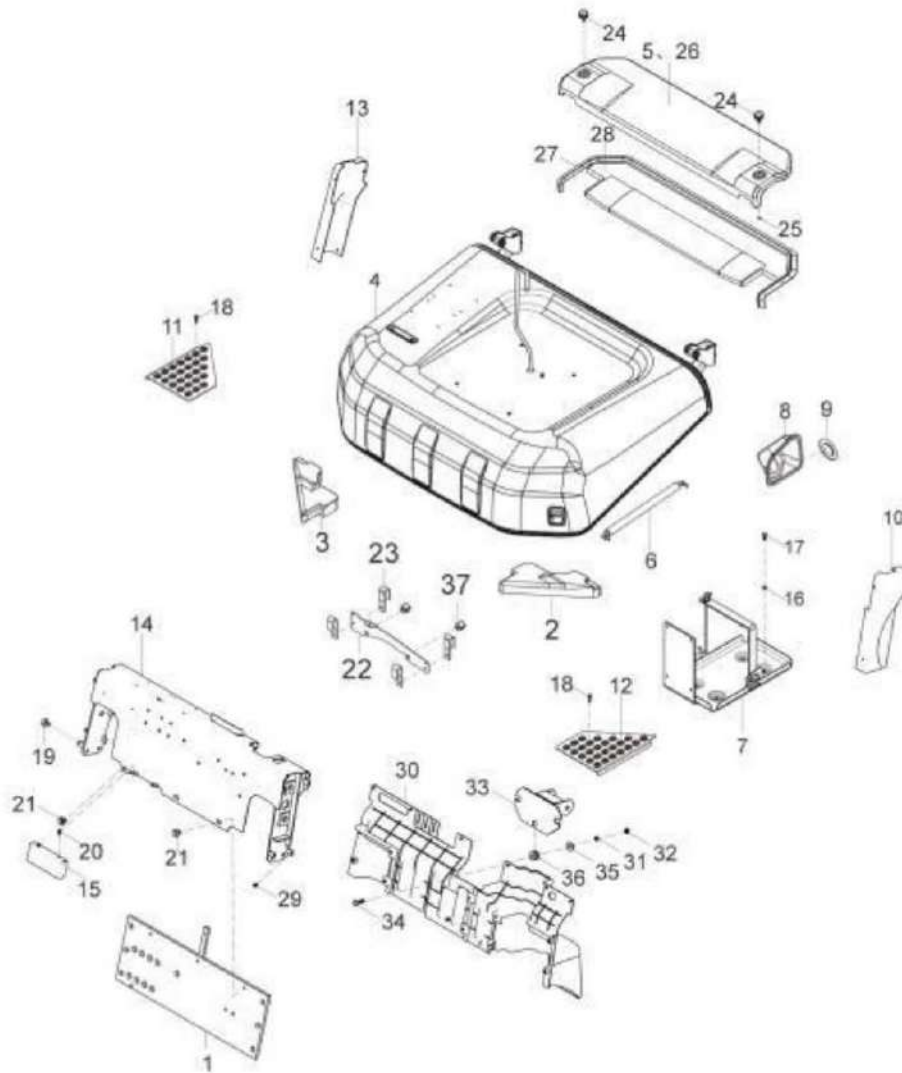
H2LD6-10201 03 Counter weight shield assembly

H2LD6-10201 03 平衡重防护网总成

序号 No.	零部件代号 Part No.	版本 Edition	名称 Part name		数量 Q'ty	备注 Remark	

K2TJ6-40001 13 Hood

K2TJ6-40001 13 机罩类



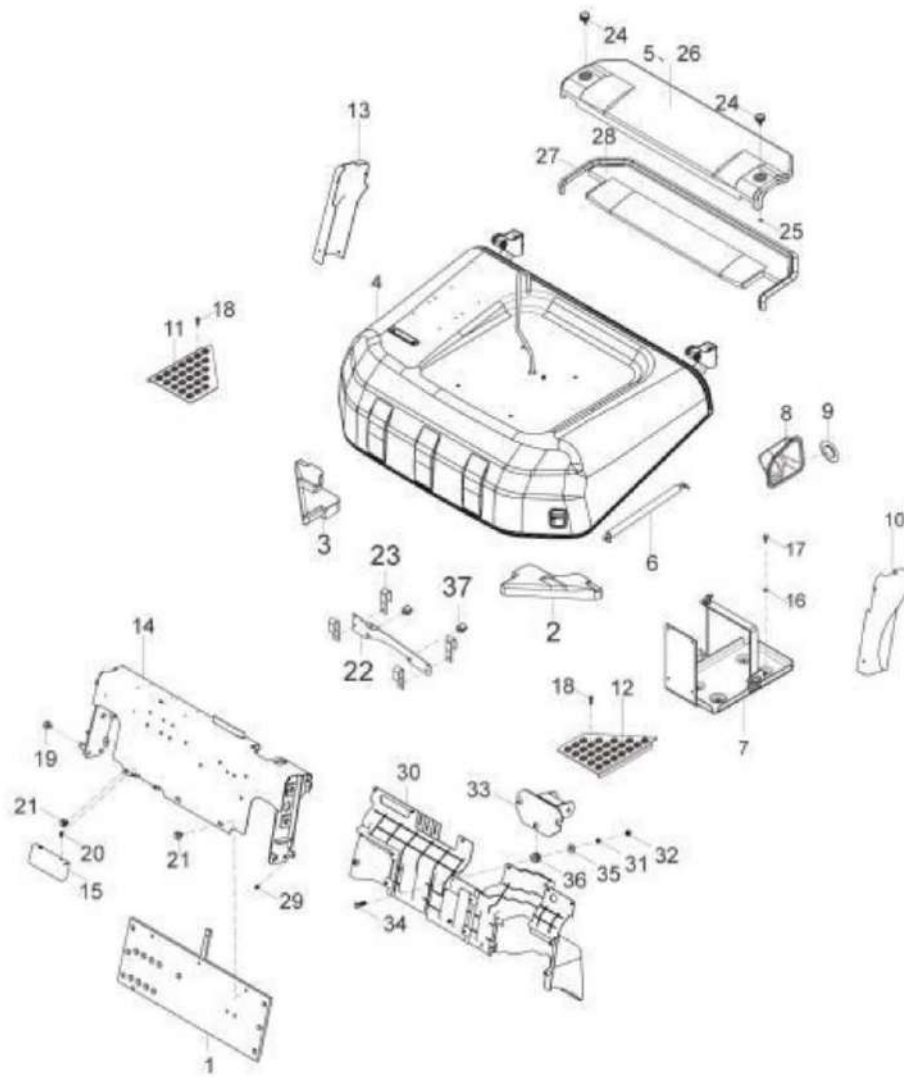
K2TJ6-40001 13 Hood

K2TJ6-40001 13 机罩类

序号 No.	零部件代号 Part No.	版本 Edition	名称 Part name		数量 Q'ty	备注 Remark	
1	KM916-40901GJ	00	Front plate ass'y	前板总成	1		
1	K0JW6-40501	00	Front plate ass'y	前板总成	1	For EU V models	欧五车型用
2	K9FL6-42351	02	Hood damping pad (left)	机罩减震垫(左)	1		
3	K9FL6-42341	01	Hood damping pad (right)	机罩减震垫(右)	1		
4	K9FL6-40631	00	Hood ass'y	机罩总成	1	with upgrade OPS	欧五车型、装升级版 OPS
4	HRK9FL6405	06	Hood ass'y	机罩总成	1		
5	K9FL6-40211	04	Radiator cover assembly	水箱盖板总成	1	包含 24-28, Gasoline engine & without cab	包含 24-28, 汽油机且不装驾驶室用
5	KM226-40211	01	Radiator cover assembly	水箱盖板总成	1	包含 24-28, Liquefied gas & without cab	包含 24-28, 液化气且不装驾驶室用
5	K9EL5-70541Y	00	Cab rear water tank cover	驾驶室后水箱盖板	1	包含 24,26,27, Cab LPG	包含 24,26,27, 驾驶室液化气用
5	K9EL5-70541XG	00	Cab rear water tank cover	驾驶室后水箱盖板	1	包含 24,26,27, Cab not for LPG us	包含 24,26,27, 驾驶室非液化气用
6	K9FL6-42281	00	Gas spring	气弹簧	1		
7	K9FL6-40101	01	Battery rack assembly	电瓶架总成	1		
7	K0JN6-40101	00	Battery rack assembly	电瓶架总成	1	Xinchang three cylinder machine EU V	新昌三缸机 欧五
7	GM266-40401	01	Battery bracket	电瓶架	1	WG2503 EU V models	WG2503 欧五车型
8	K9FL6-42291W	00	Boot	加油罩	1	For WG2503 EU V	WG2503 欧五车用
8	K9FL6-42291	01	Boot	加油罩	1	std	标准
9	H1M56-42511	00	Rubber mat	加油罩橡胶垫	1		
10	A73J6-42052	05	Shield	护罩(左)	1	HRA73J6402	HRA73J6402
10	K9FL6-40451L	01	Side seal plate left	侧封板焊接左	1	With cab	装驾驶室用
11	K9FL6-42261	03	Anti-skid board (right)	防滑板(右)	1		
12	K9FL6-42271	03	Anti-skid board(left)	防滑板(左)	1		
13	A73J6-42062	05	Shield	护罩(右)	1	HRA73J6402	HRA73J6402
13	K9FL6-40451R	01	Side seal plate right	侧封板焊接右	1	With cab	装驾驶室用
14	K0JW6-40601	00	Instrument stand	仪表架总成	1	EU V with cab	欧五车型装驾驶室用
14	K0JW6-40401	00	Instrument stand	仪表架总成	1	For EU V	欧五车用

K2TJ6-40001 13 Hood

K2TJ6-40001 13 机罩类



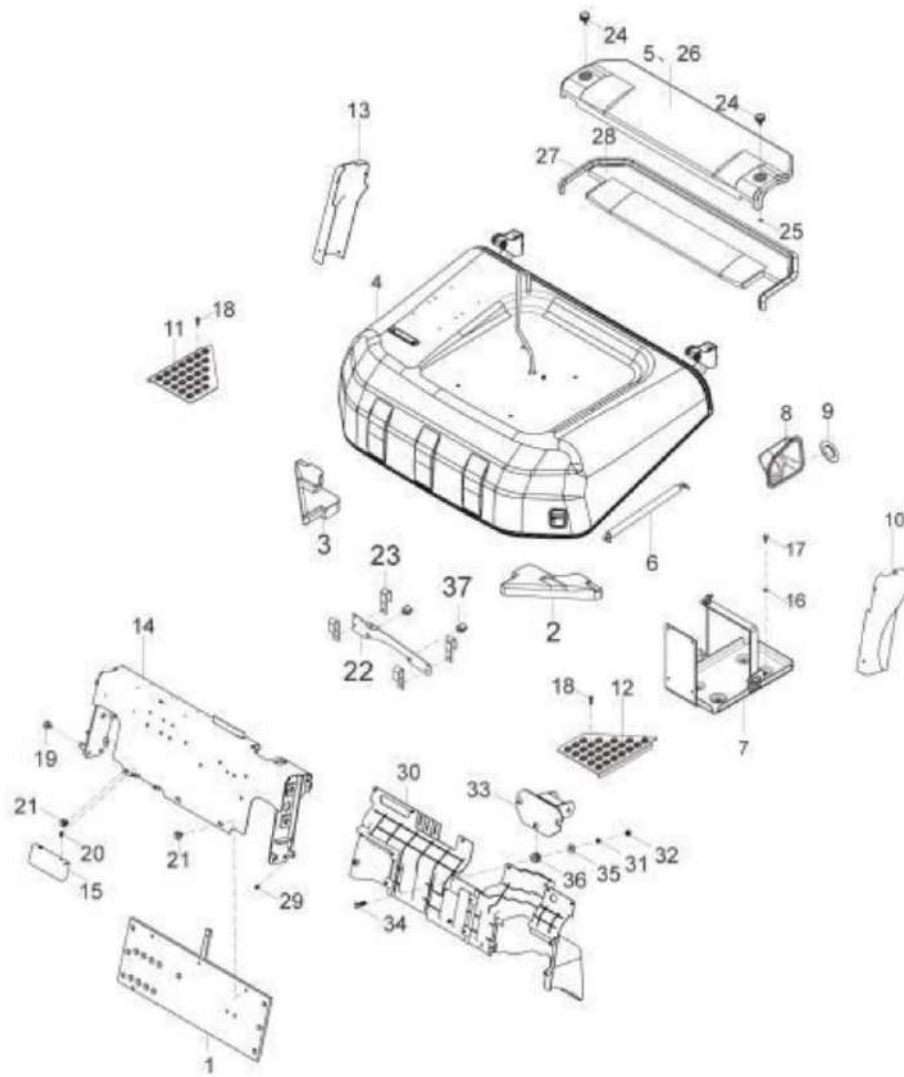
K2TJ6-40001 13 Hood

K2TJ6-40001 13 机罩类

序号 No.	零部件代号 Part No.	版本 Edition	名称 Part name		数量 Q'ty	备注 Remark	
14	K2TJ6-40401	01	Instrument stand	仪表架总成	1	Gasoline engine or Liquefied gas & without cab	液化气或汽油机且不装驾驶室
14	K2TJ6-40501	01	Instrument stand	仪表架总成	1	Gasoline engine or Liquefied gas & with cab	液化气或汽油机且装驾驶室
14	KM226-40501	01	Instrument stand	仪表架总成	1	Dual fuel & without cab	双燃料且不装驾驶室
14	KM226-40601	01	Instrument stand	仪表架总成	1	Dual fuel & with cab	双燃料且装驾驶室
15	K0JW6-42101	00	Multiway valve front housing	多路阀前罩壳	1	For EU V	欧五车用
16	B5050-00008	00	Washer	垫圈 8	2	GB93-87	GB93-87
17	B0330-08016	00	Bolt	螺栓 M8x16	2	GB5783-86	GB5783-86
18	B0330-06025-X2	00	Combined bolt M6x25	组合螺栓 M6x25	4	GB5786,GB93,GB96	GB5786,GB93,GB96
19	B0530-10025-X	00	Combined bolt M10x1.25x25	组合螺栓 M10x1.25x25	4	GB5783-86	GB5783-86
20	B0330-06016-X	00	Combined bolt	组合螺栓 M6×16	8	For EU V	欧五车用
21	B0530-10025-XD	00	Combined bolt M10x1.25x25	组合螺栓 M10x1.25x25	3	GB5786,GB93,GB96	GB5786,GB93,GB96
22	K9FL6-42311	00	Plate	线束固定板	1		
23	22492-42092G	01	Clip	电瓶正极引线卡	4	For mechanical	用于机械车
24	H1M56-43081	00	Screw	螺钉	2		
24	H1M56-43081M	00	Screw	螺钉	2		
25	B6250-00006	00	Snap ring	挡圈 6	2	GB896-86	GB896-86
26	K9FL6-42221	02	Cover	水箱盖板	1	Gasoline engine & without cab	汽油机且不装驾驶室用
26	KM226-42221	00	Cover	水箱盖板	1	Liquefied gas & without cab	液化气且不装驾驶室用
26	K9FL5-70531Y	00	Cab rear water tank cover	驾驶室后水箱盖板	1	Cab LPG	驾驶室液化气用
26	K9FL5-70531	01	Rear radiator cover assembly	后水箱盖板总成	1	Cab not for LPG us	驾驶室非液化气用
27	K9FL6-42231	01	Heat insulation pad for water tank cover plate	水箱盖板隔热垫	1	Gasoline engine & without cab	汽油机且不装驾驶室用
27	KM226-42231	00	Heat insulation pad for water tank cover plate	水箱盖板隔热垫	1	Liquefied gas & without cab	液化气且不装驾驶室用
27	K9EL5-72231G	00	Heat insulation pad for water tank cover plate	水箱盖板隔热垫	1	With cab	装驾驶室用
28	K9FL6-42251	01	Seal	密封条	1	GB5783-86	GB5783-86
29	B9130-06012	00	Bolt	十字槽法兰面螺栓 M6x12	8	GB/T 16674. 1-2004,GB/T29.2-2013	GB/T 16674. 1-2004,GB/T29.2-2013
30	HRK9FL6421	03	Instrument desk	仪表台总成	1	CHL	CHL

K2TJ6-40001 13 Hood

K2TJ6-40001 13 机罩类



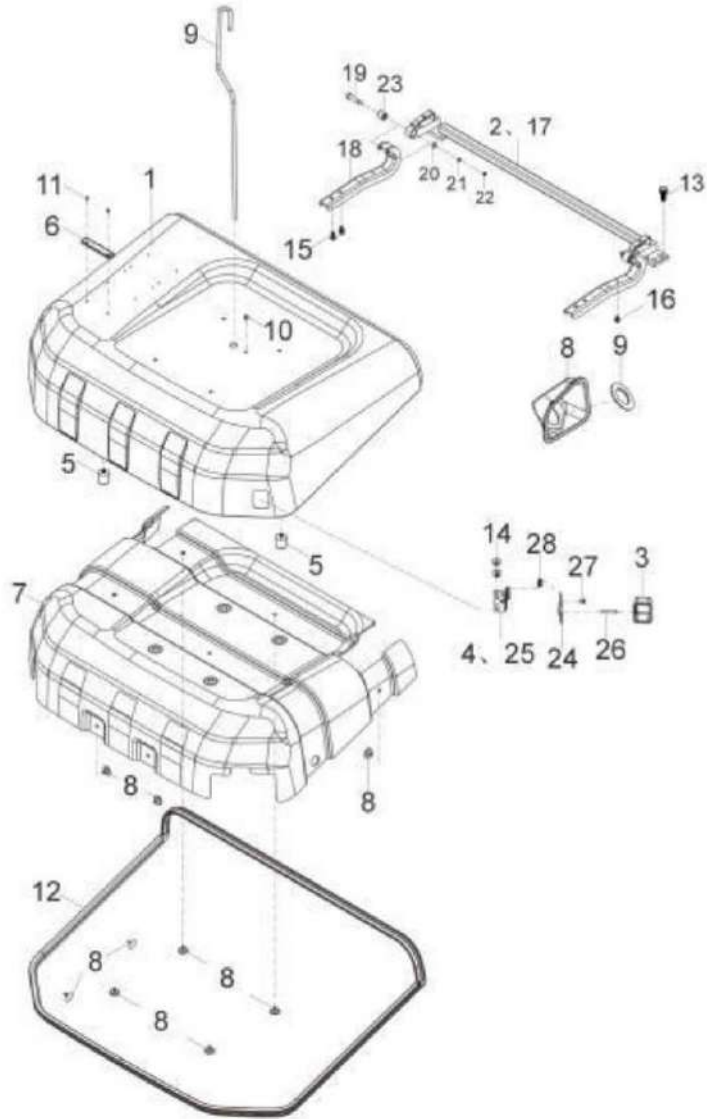
K2TJ6-40001 13 Hood

K2TJ6-40001 13 机罩类

序号 No.	零部件代号 Part No.	版本 Edition	名称 Part name		数量 Q'ty	备注 Remark	
31	B5050-00010	00	Washer	垫圈 10	3	GB93-87	GB93-87
32	B4123-00010	00	Nut	螺母 M10	3	GB6170-86	GB6170-86
33	K9FL4-10201	00	Steering bracket assembly	转向支架总成	1		
34	B0230-10040	00	Bolt	螺栓 M10x40	3	GB5782-86	GB5782-86
35	B5210-00010	00	Washer	垫圈 10	3	GB96-85	GB96-85
36	H24C6-42311	00	Rubber	橡胶套	3		
37	D03XK0195	00	Support	线束固定卡	2	Hydraulic truck	液力车用

HRK9FL6405 06 Hood ass'y

HRK9FL6405 06 机罩总成



HRK9FL6405 06 Hood ass'y

HRK9FL6405 06 机罩总成

序号 No.	零部件代号 Part No.	版本 Edition	名称 Part name		数量 Q'ty	备注 Remark	
1	K9FL6-40501	03	Hood ass'y	机罩总成	1		
2	K9FL6-40851	01	Hinge assembly	铰链总成	1	Include 17-23	包含 17-23
3	KM916-42161	02	Shield	护罩	1		
4	KM916-40811	03	Lock body assembly	锁体总成	1	Include 22-26	包含 22-26
5	K2TJ6-40911	00	Cushion pad assembly	缓冲胶垫总成	2		
6	A79S6-40151	02	Clip	资料夹	1		
7	K9FL6-42301	02	Insulator	隔热垫	1		
8	H24C6-42731	02	Clip	卡子	10		
9	H2YY2-40906	02	Wiring harness	安全带开关过渡线	1		
10	D12GZ15055	00	Ribbon	固定式扎带	1		
11	B2391-04008	00	Rivet	开口型铆钉 4x8	2	GB/T12618. 3-2006	GB/T12618. 3-2006
12	K9FL6-42331	00	Seal	机罩密封条	1		
13	B0330-08025-X	00	Combined bolt	组合螺栓 M8x25	4	GB/T 9074. 17-88	GB/T 9074. 17-88
14	B0330-08020-XD	00	Combined bolt	组合螺栓 M8x20	2	GB5783,GB 93,GB96	GB5783,GB 93,GB96
15	B0330-08020-X	00	Combined bolt	组合螺栓 M8x20	4	GB/T 9074. 17-88	GB/T 9074. 17-88
16	D03XKQ352	01	Support	线束固定卡	1		
17	K9FL6-40901	02	Hinge bracket	铰链支架	1		
18	K9FL6-43001	02	Hinge	铰链	2		
19	A24K6-42411	00	Bolt	螺栓	2		
20	B5210-00006	00	Washer,lock	垫圈 6	2	GB96-85	GB96-85
21	B5050-00006	00	Washer,lock	垫圈 6	2	GB93-87	GB93-87
22	B4313-00006	00	Nut	螺母 M6	2	GB6172-86	GB6172-86
23	A24K6-42421	00	Dushing	衬套	2		
24	KM916-42181	02	Hook	弹性锁钩	1		
25	KM916-42171	01	Support	支架	1		
26	KM916-42191	01	Knob,lever	手柄	1		
27	KM916-42201	01	pin	销轴	1		
28	KM916-42311	01	Spring	弹簧	1		

KM916-40811 03 Lock body assembly

KM916-40811 03 锁体总成

空白页
Blank Page

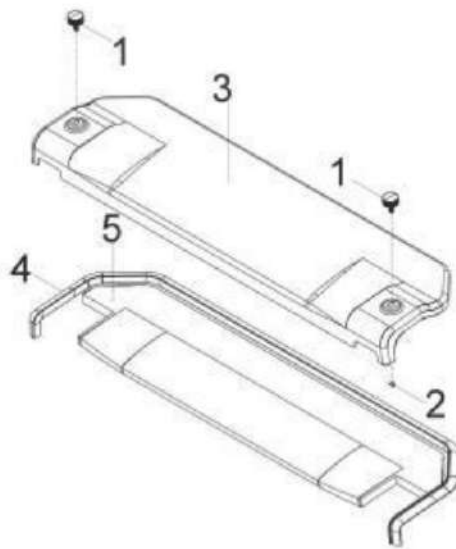
KM916-40811 03 Lock body assembly

KM916-40811 03 锁体总成

序号 No.	零部件代号 Part No.	版本 Edition	名称 Part name	数量 Q'ty	备注 Remark
1	KM916-42181	02	Hook 弹性锁钩	1	
2	KM916-42171	01	Support 支架	1	
3	KM916-42191	01	Knob,lever 手柄	1	
4	KM916-42201	01	pin 销轴	1	
5	KM916-42311	01	Spring 弹簧	1	

K9FL6-40211 04 Radiator cover assembly

K9FL6-40211 04 水箱盖板总成



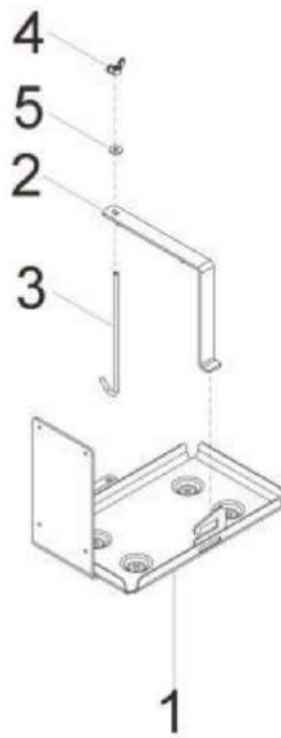
K9FL6-40211 04 Radiator cover assembly

K9FL6-40211 04 水箱盖板总成

序号 No.	零部件代号 Part No.	版本 Edition	名称 Part name		数量 Q'ty	备注 Remark	
1	H1M56-43081M	00	Screw	螺钉	2		
2	B6250-00006	00	Snap ring	挡圈 6	2	GB896-86	GB896-86
3	K9FL6-42221	02	Cover	水箱盖板	1		
4	K9FL6-42231	01	Heat insulation pad for water tank cover plate	水箱盖板隔热垫	1		
5	K9FL6-42251	01	Seal	密封条	1		

K9FL6-40101 01 Battery rack assembly

K9FL6-40101 01 电瓶架总成



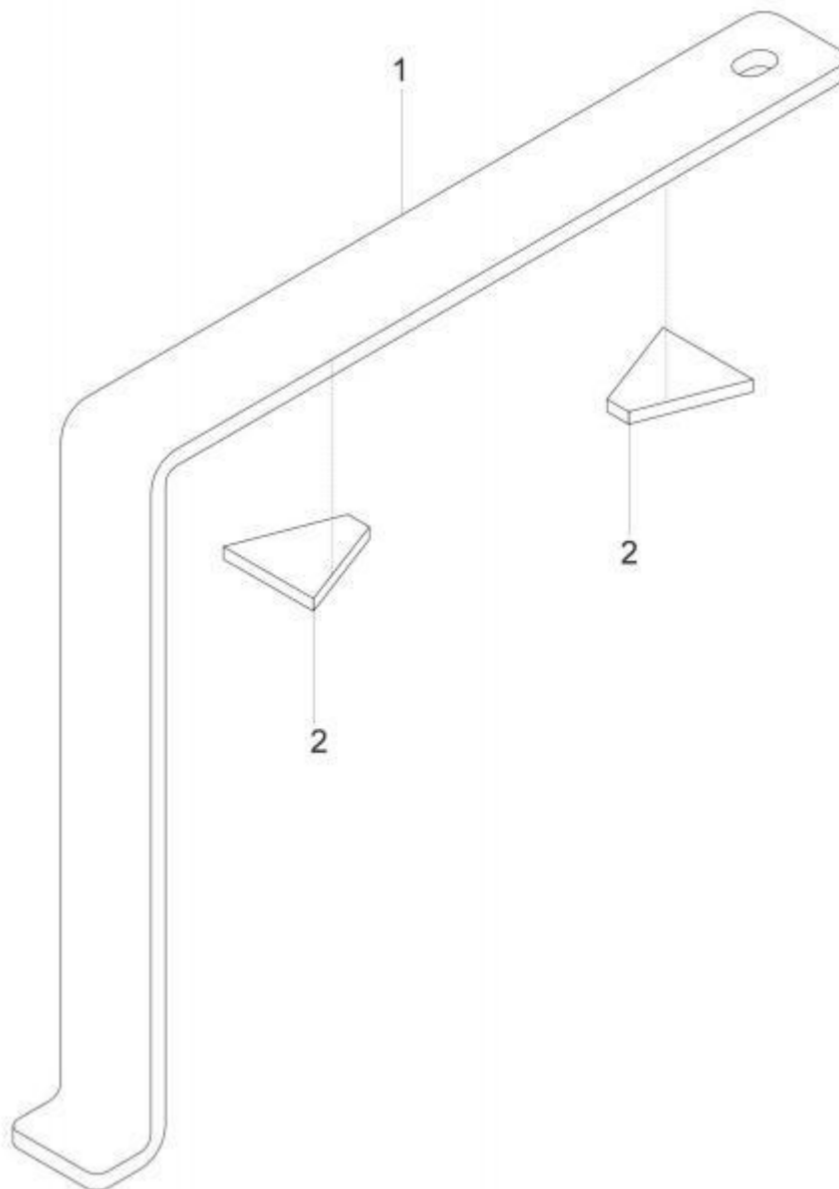
K9FL6-40101 01 Battery rack assembly

K9FL6-40101 01 电瓶架总成

序号 No.	零部件代号 Part No.	版本 Edition	名称 Part name		数量 Q'ty	备注 Remark	
1	K9FL6-40111	02	Bracket	电瓶支架	1		
2	H9DA6-40861	01	Bracket	电瓶固定支架	1		
3	23652-42041G	04	Rod	螺杆	1		
4	B4910-00006	00	Nut	螺母 M6	1	GB62-88	GB62-88
5	B5210-00006	00	Washer,lock	垫圈 6	1	GB96-85	GB96-85

H9DA6-40861 01 Bracket

H9DA6-40861 01 电瓶固定支架



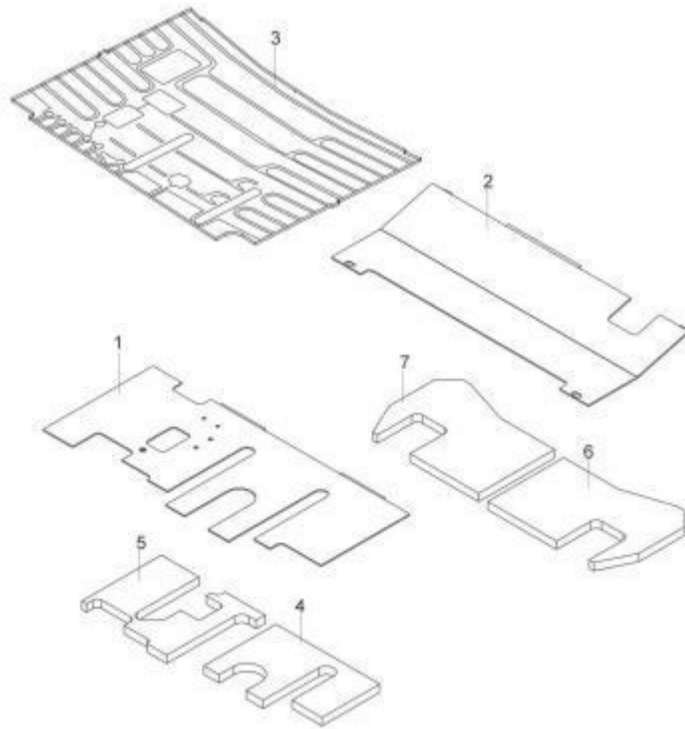
H9DA6-40861 01 Bracket

H9DA6-40861 01 电瓶固定支架

序号 No.	零部件代号 Part No.	版本 Edition	名称 Part name		数量 Q'ty	备注 Remark	
1	H9DA6-43611	01	Support	支架	1		
2	23652-40221	01	Rubber	橡胶垫	2		

HRK9FL6501 01 Floor class

HRK9FL6501 01 底板类



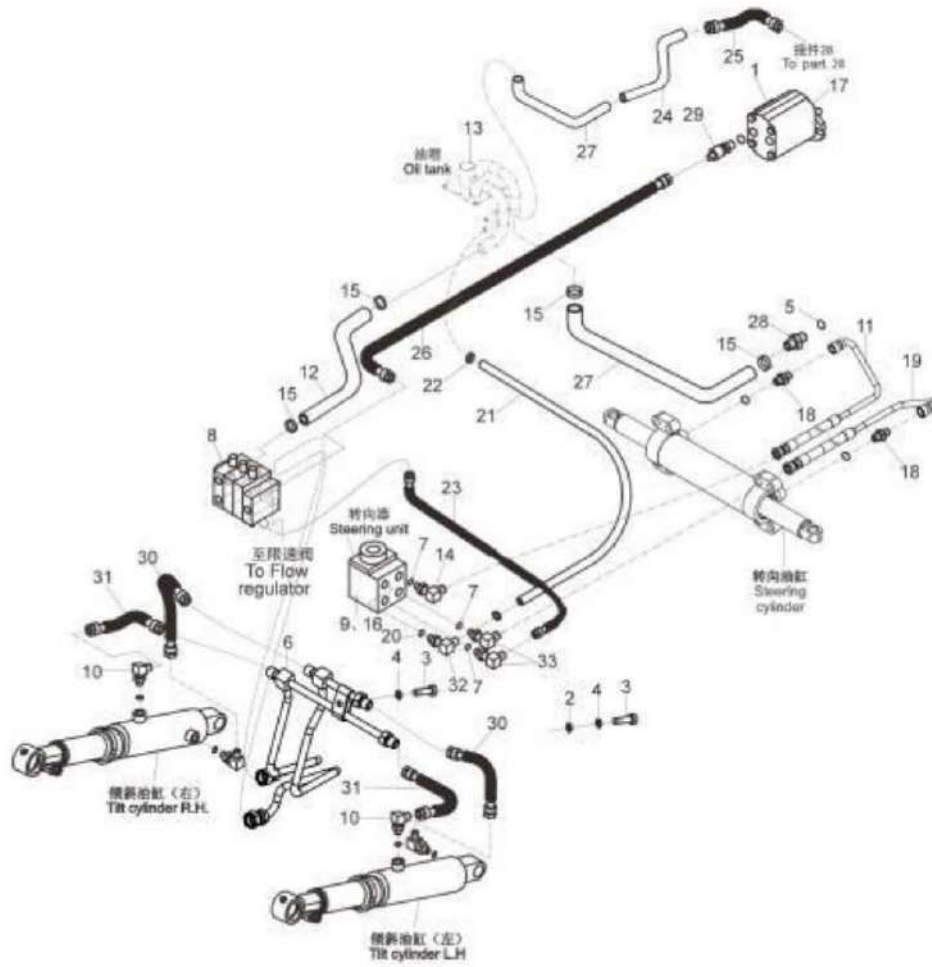
H2KE6-80133TD 00 Hean half surround,whole suspension seat

H2KE6-80133TD 00 和安半包围全悬浮座椅



K2TJ7-60011 11 Hydraulic pipeline system

K2TJ7-60011 11 液压管路系统



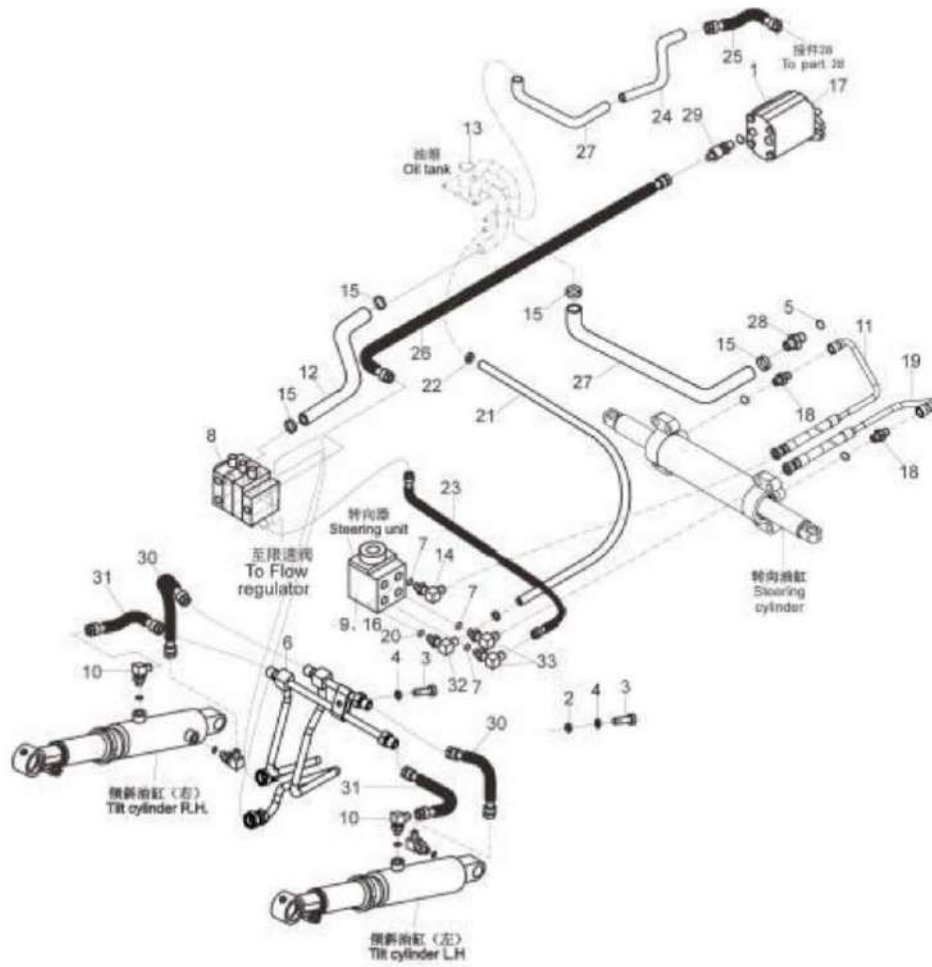
K2TJ7-60011 1 1 Hydraulic pipeline system

K2TJ7-60011 11 液压管路系统

序号 No.	零部件代号 Part No.	版本 Edition	名称 Part name		数量 Q'ty	备注 Remark	
1	HRH2MD7101	03	Gear pump	齿轮油泵	1		
2	B5310-00006	00	Washer,lock	垫圈 6	1		
3	B0330-06025	00	Bolt	螺栓 M6x25	2	GB5783-86	GB5783-86
4	B5050-00006	00	Washer,lock	垫圈 6	2	GB93-87	GB93-87
5	Z6005-02873	00	O-ring	O 型密封圈 P29:28.7x3.5	1	JIS B2401	JIS B2401
6	K2TJ7-60601	05	Tilt steel tube	倾斜钢管总成	1	Outsourcing	外购
7	Z6006-01782	00	O-ring	O 型密封圈 17.8x2.4	3		
8	HRK2TJ7301	05	Control valve	多路阀总成	1	Without OPS/travelling OPS	不装/行走 OPS
8	HRH2FP7321	01	Control valve	多路阀总成(OPS)	1	Whole set of OPS/Australia Ops	全套 OPS/澳 洲 OPS
8	HRH2FP7351	02	Control valve	多路阀总成(升级 OPS)	1	Enhance Ops	增强 OPS
9	K2TJ7-60111	03	Steering unit	转向器	1	Include 16,32-34	包含 16,32-34
10	JT6022-16001LOR	00	Right angle joint	直角接头	4		
11	K2TJ7-62261	02	Steering steel tube hose assembly	转向钢管胶管总成	1		
12	K2TJ7-62011K	00	Multi way valve return pipe	多路阀回油管	1	2,3,4-piece valve/other engines	2,3,4 片阀/其 余发动机
12	24457-62153G	00	Multi way valve return pipe	多路阀回油管	1	5-piece valve/other engines	5 片阀/其 余发动机
12	K0JN7-62011	00	Multi way valve return pipe	多路阀回油管	1	Xinchang 3E22YG51	新昌 3E22YG51
13	K2TJ7-50001	05	Oil tank cover plate and accessories	油箱盖板及附件	1	Xinchang 3E22YG51	新昌 3E22YG51
13	AE937-50001	05	Oil tank	液压油箱	1	Other engines	其余发动机
14	JT6022-20191	02	Right angle joint	直角接头	1	Include 7	包含 7
15	Z4592-32050	00	German type hose hoops	德式喉箍 32-50	4		
16	G0064-00051	02	Redirector ass'y	转向器总成	1		
17	HRK2TJ7601	07	Pump pipe	泵管路总成	1	Include 24-29	包含 24-29
18	JT6021-16001LOR	01	Straight joint	直通接头	2		
19	K2TJ7-62251	02	Steering steel tube hose assembly	转向钢管胶管总成	1		
20	Z6005-01782	00	O-ring	O 型密封圈 P18: 17.8x2.4	1	JIS B2401	JIS B2401
21	Z7300-13130	00	Hose L.P.	低压胶管 Φ13x1300	1		
22	Z4503-12022	00	Clip	喉箍 12-22	2		
23	Z9071-08033L13	00	Hose H.P.	高压胶管 Φ8x330	1		
24	K0HF7-60101	00	Fuel sucking pipe	吸油钢管总成	1	S4S	S4S

K2TJ7-60011 11 Hydraulic pipeline system

K2TJ7-60011 11 液压管路系统



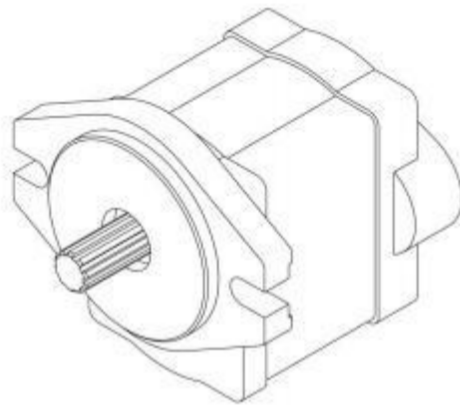
K2TJ7-60011 1 1 Hydraulic pipeline system

K2TJ7-60011 11 液压管路系统

序号 No.	零部件代号 Part No.	版本 Edition	名称 Part name		数量 Q'ty	备注 Remark	
25	K0HF7-62011	00	Oil suction hose	吸油胶管(油箱侧)	1	S4S	S4S
26	Z9702-16125	00	High pressure hose	高压胶管 Φ 16 II x1250	1	Rest	其余
26	Z9702-1614024V7	00	High pressure hose	高压胶管 Φ 16x1400	1	S4S	S4S
27	K2TJ7-62101A	02	Hose	吸油管	1	Yunnei, Quanchai, Xinchang, Xichai	云内、全柴、 新昌、锡柴
27	KE287-62001	00	Suction tubing	吸油管, 橡胶	1	K21,K25	K21,K25
27	K2FM7-62001	00	Hose	油泵吸油管	1	4JG2	4JG2
27	K0HF7-62021	02	Hose	油泵吸油管	1	S4S	S4S
27	K2TJ7-62201A	00	Hose	吸油管	1	C240	C240
28	JT7022-10031	02	Right angle joint	直角接头	1	S4S, Include 5	包含 S4S,5
28	JT7021-10011	02	Straight joint	直通接头	1	The rest, include 5	其余,包含 5
29	JT7023-34001LOR	00	Nipple	钝角接头	1		
30	Z9701-0803915L1 4	00	High pressure hose	高压胶管 Φ 8x390	2	Outsourcing	外购
31	Z9701-0803615	00	Hose H.P.	高压胶管 Φ8x360	2	Outsourcing	外购
32	JT6022-20041	06	Right angle joint	直角接头	1	Include 20	包含 20
33	JT6022-20181	02	Right angle joint	直角接头	2	Include 7	包含 7

HRH2MD7101 03 Gear pump

HRH2MD7101 03 齿轮油泵



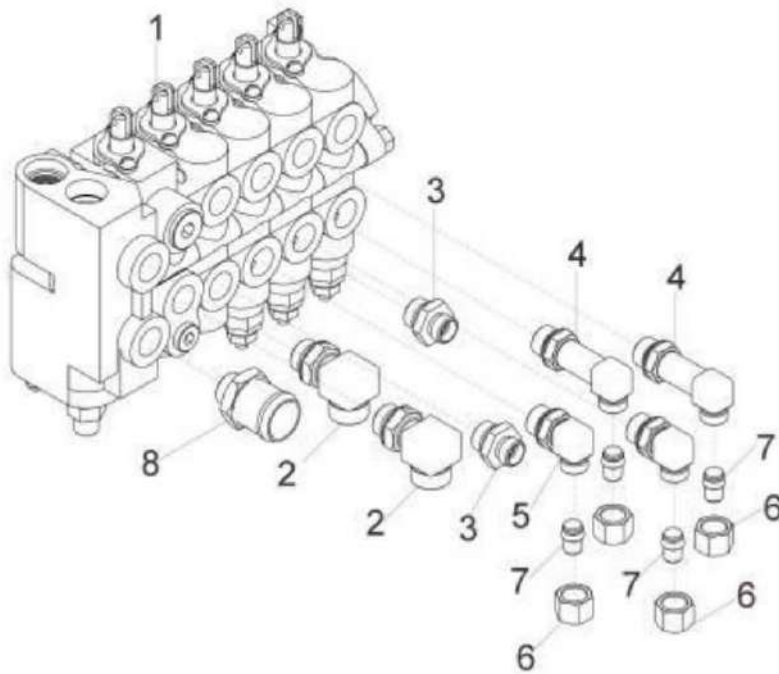
HRH2MD7101 03 Gear pump

HRH2MD7101 03 齿轮油泵

序号 No.	零部件代号 Part No.	版本 Edition	名称 Part name		数量 Q'ty	备注 Remark	

HRK2TJ7301 05 Control valve

HRK2TJ7301 05 多路阀总成



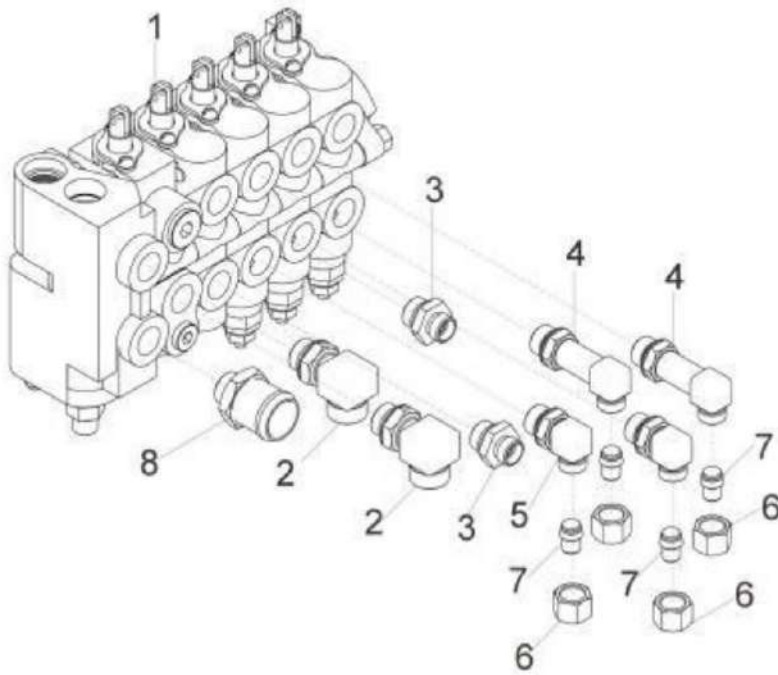
HRK2TJ7301 05 Control valve

HRK2TJ7301 05 多路阀总成

序号 No.	零部件代号 Part No.	版本 Edition	名称 Part name		数量 Q'ty	备注 Remark	
1	K2TJ7-30121	02	Control valve	多路阀	1	Two piece valve ,HRK2 TJ7312,2-3.5t	二片阀,HRK2TJ7 312,2-3.5t
1	K2TJ7-30321	02	Control valve	多路阀	1	Two piece valve ,HRK2 TJ7312,3.8t	二片阀,HRK2TJ7 312,3.8t
1	K2TJ7-30131	02	Control valve	多路阀	1	Three piece valve ,HRK2 TJ7312,2-3.5t	三片阀,HRK2TJ7 312,2-3.5t
1	K2TJ7-30131G	02	Control valve	多路阀	1	Three piece valve ,HRK2 TJ7312,2-3.5t	三片阀(带过载),HRK2TJ 7312,2-3.5t
1	K2TJ7-30331	02	Control valve	多路阀	1	Three piece valve ,HRK2 TJ7312,3.8t	三片阀,HRK2TJ7 312,3.8t
1	K2TJ7-30331G	02	Control valve	多路阀	1	Three piece valve ,HRK2 TJ7312,3.8t	三片阀(带过载),HRK2TJ 7312,3.8t
1	K2TJ7-30141	02	Control valve	多路阀	1	Four piece valve ,HRK2 TJ7312,2-3.5t	四片阀,HRK2TJ7 312,2-3.5t
1	K2TJ7-30141G	02	Control valve	多路阀	1	Four piece valve ,HRK2 TJ7312,2-3.5t	四片阀(带过载),HRK2TJ 7312,2-3.5t
1	K2TJ7-30341	02	Control valve	多路阀	1	Four piece valve ,HRK2 TJ7312,3.8t	四片阀,HRK2TJ7 312,3.8t
1	K2TJ7-30341G	02	Control valve	多路阀	1	Four piece valve ,HRK2 TJ7312,3.8t	四片阀(带过载),HRK2TJ 7312,3.8t
1	K2TJ7-30151	02	Control valve	多路阀	1	Five piece valve ,HRK2 TJ7312,2-3.5t	五片阀,HRK2TJ7 312,2-3.5t
1	K2TJ7-30151G	02	Control valve	多路阀	1	Five piece valve ,HRK2 TJ7312,2-3.5t	五片阀(带过载),HRK2TJ 7312,2-3.5t
1	K2TJ7-30351	02	Control valve	多路阀	1	Five piece valve ,HRK2 TJ7312,3.8t	五片阀,HRK2TJ7 312,3.8t
1	K2TJ7-30351G	02	Control valve	多路阀	1	Five piece valve ,HRK2 TJ7312,3.8t	五片阀(带过载),HRK2TJ 7312,3.8t
2	JT6022-26001LOR	00	Right angle joint	直角接头	2		
3	JT6021-20001LOR	00	Straight joint	直通接头	2		
4	JT6022-20211	00	Right angle joint	直角接头	1	Three piece valve	三片阀
4	JT6022-20211	00	Right angle joint	直角接头	2	Four piece valve	四片阀
4	JT6022-20211	00	Right angle joint	直角接头	3	Five piece valve	五片阀
5	JT6022-20201	00	Right angle joint	直角接头	1	Three piece valve	三片阀
5	JT6022-20201	00	Right angle joint	直角接头	2	Four piece valve	四片阀
5	JT6022-20201	00	Right angle joint	直角接头	3	Five piece valve	五片阀

HRK2TJ7301 05 Control valve

HRK2TJ7301 05 多路阀总成



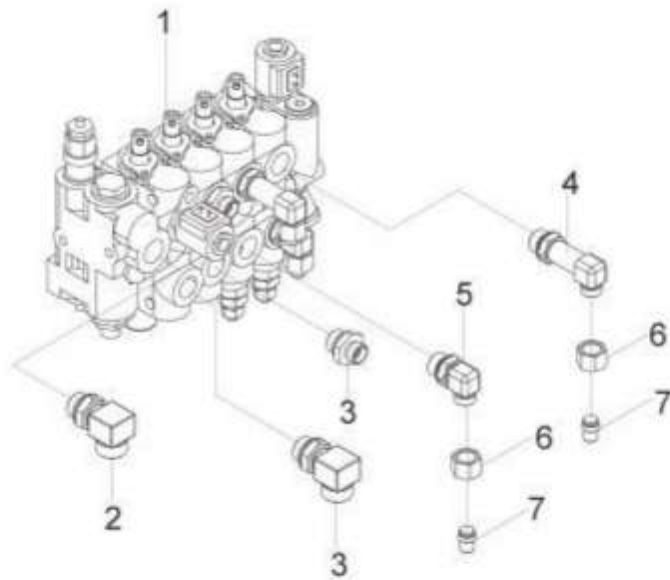
HRK2TJ7301 05 Control valve

HRK2TJ7301 05 多路阀总成

序号 No.	零部件代号 Part No.	版本 Edition	名称 Part name		数量 Q'ty	备注 Remark	
6	AA3G7-32001	00	Nut	M18 螺母	2	Three piece valve	三片阀
6	AA3G7-32001	00	Nut	M18 螺母	4	Four piece valve	四片阀
6	AA3G7-32001	00	Nut	M18 螺母	6	Five piece valve	五片阀
7	AA3G7-32011	00	Plug	24° 锥 M18 堵头	2	Three piece valve	三片阀
7	AA3G7-32011	00	Plug	24° 锥 M18 堵头	4	Four piece valve	四片阀
7	AA3G7-32011	00	Plug	24° 锥 M18 堵头	6	Five piece valve	五片阀
8	JT6021-22131	04	Straight joint	直通接头	1	Five piece valve	五片阀

HRH2FP7321 01 Control valve

HRH2FP7321 01 多路阀总成(OPS)

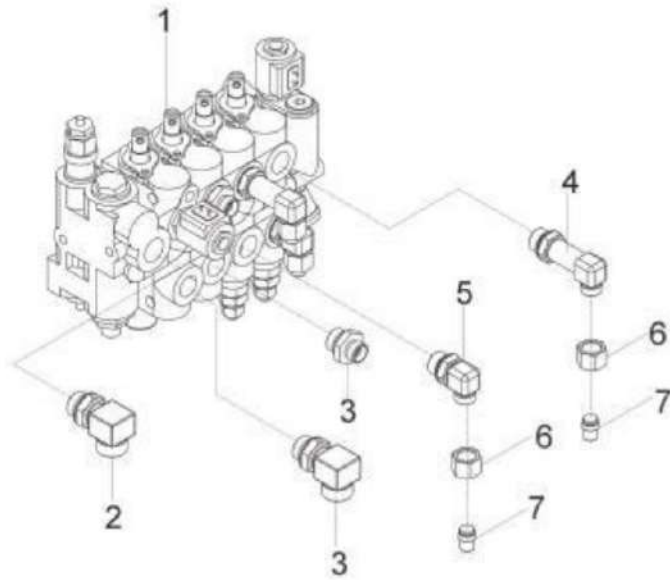


HRH2FP7321 01 Control valve

HRH2FP7321 01 (OPS)							
序号 No.	零部件代号 Part No.	版本 Edition	名称 Part name		数量 Q'ty	备注 Remark	
1	H2FP7-30221	02	Control valve	多路阀	1	HRH2FP730 2,2-3.5t, Two piece valve	HRH2FP730 2,2-3.5t,二片 阀
1	HOAS7-30221	03	Control valve	多路阀	1	HRH2FP730 2,3.8t, Two piece valve	HRH2FP730 2,3.8t,二片 阀
1	H2FP7-30231	02	Control valve	多路阀	1	HRH2FP730 2,2-3.5t, Three piece valve	HRH2FP730 2,2-3.5t,三片 阀
1	H2FP7-30231G	02	Control valve	多路阀	1	HRH2FP730 2,2-3.5t, Three piece valve	HRH2FP730 2,2-3.5t,三片 阀
1	HOAS7-30231	03	Control valve	多路阀	1	HRH2FP730 2,3.8t, Three piece valve	HRH2FP730 2,3.8t,三片 阀
1	HOAS7-30231G	03	Control valve	多路阀	1	HRH2FP730 2,3.8t, Three piece valve	HRH2FP730 2,3.8t,三片 阀
1	H2FP7-30241	02	Control valve	多路阀	1	HRH2FP730 2,2-3.5t, Four piece valve	HRH2FP730 2,2-3.5t,四片 阀
1	H2FP7-30241G	02	Control valve	多路阀	1	HRH2FP730 2,2-3.5t, Four piece valve	HRH2FP730 2,2-3.5t,四片 阀
1	H0AS7-30241	03	Control valve	多路阀	1	HRH2FP730 2,3.8t, Four piece valve	HRH2FP730 2,3.8t,四片 阀
1	H0AS7-30241G	03	Control valve	多路阀	1	HRH2FP730 2,3.8t, Four piece valve	HRH2FP730 2,3.8t,四片 阀
2	JT8022-16111	01	Right angle joint	直角接头	2	SAE	美制
2	JT6022-26001LOR	00	Right angle joint	直角接头	2	Metric	公制
3	JT6021-20001LOR	00	Straight joint	直通接头	2		
4	JT8022-96041	04	Right angle joint	直角接头	1	SAE, Three-t hrow	美制三片阀
4	JT8022-96041	04	Right angle joint	直角接头	2	SAE, Four-th row	美制,四片阀
4	JT6022-20211	00	Right angle joint	直角接头	1	Metric, Three -throw	公制 三片阀
4	JT6022-20211	00	Right angle joint	直角接头	2	Metric, Four-t hrow	公制,四片阀
5	JT8022-96031	04	Right angle joint	直角接头	1	SAE, Three-t hrow	美制三片阀
5	JT8022-96031	04	Right angle joint	直角接头	2	SAE, Four-th row	美制,四片阀
5	JT6022-20201	00	Right angle joint	直角接头	1	Metric, Three -throw	公制,三片阀
5	JT6022-20201	00	Right angle joint	直角接头	2	Metric, Four-t hrow	公制 四片阀
6	AA3G7-32001	00	Nut	M18 螺母	2	Metric, Three -throw	公制,三片阀
6	AA3G7-32001	00	Nut	M18 螺母	4	Metric, Four-t hrow	公制,四片阀
7	E12A7-60251	01	Plug	堵头	2	SAE, Three-t hrow	美制三片阀

HRH2FP7321 01 Control valve

HRH2FP7321 01 多路阀总成(OPS)



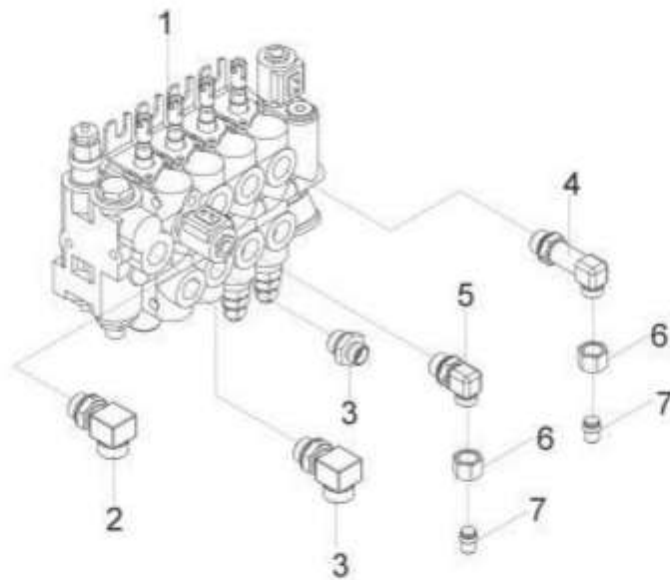
HRH2FP7321 01 Control valve

HRH2FP7321 01 多路阀总成(OPS)

序号 No.	零部件代号 Part No.	版本 Edition	名称 Part name		数量 Q'ty	备注 Remark	
7	E12A7-60251	01	Plug	堵头	4	SAE,Four-th row	美制,四片阀
7	AA3G7-32011	00	Plug	24° 锥 M18 堵头	2	Metric,Three -throw	公制 三片阀
7	AA3G7-32011	00	Plug	24° 锥 M18 堵头	4	Metric,Four-t hrow	公制,四片阀

HRH2FP7351 02 Control valve

HRH2FP7351 02 多路阀总成(升级 OPS)

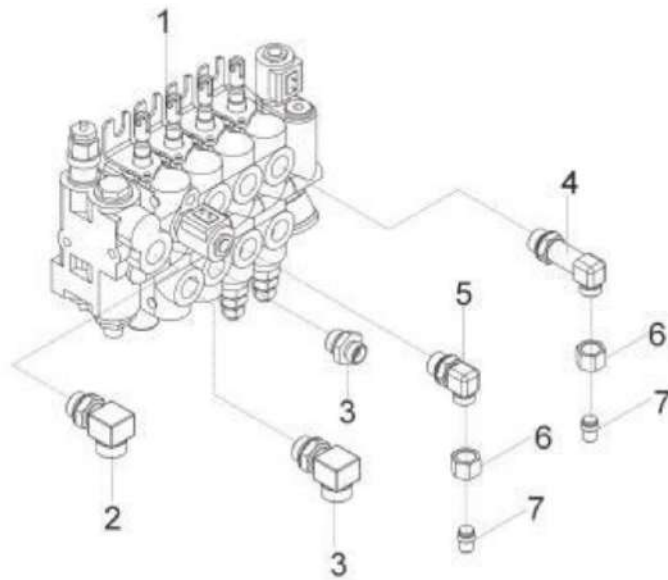


HRH2FP7351 02 Control valve

HRH2FP7351 02 (OPS)							
序号 No.	零部件代号 Part No.	版本 Edition	名称 Part name		数量 Q'ty	备注 Remark	
1	H2FP7-30421	02	Control valve	多路阀	1	HRH2FP730 5,2-3.5t, Two piece valve	HRH2FP730 5,2-3.5t,二片 阀
1	HOAS7-30421	02	Control valve	多路阀	1	HRH2FP730 5,3.8t, Two piece valve	HRH2FP730 5,3.8t,二片 阀
1	H2FP7-30431	02	Control valve	多路阀	1	HRH2FP730 5,2-3.5t, Three piece valve	HRH2FP730 5,2-3.5t,三片 阀
1	H2FP7-30431G	02	Control valve	多路阀	1	HRH2FP730 5,2-3.5t, Three piece valve	HRH2FP730 5,2-3.5t,三片 阀
1	HOAS7-30431	02	Control valve	多路阀	1	HRH2FP730 5,3.8t, Three piece valve	HRH2FP730 5,3.8t,三片 阀
1	HOAS7-30431G	02	Control valve	多路阀	1	HRH2FP730 5,3.8t, Three piece valve	HRH2FP730 5,3.8t,三片 阀
1	H2FP7-30441	02	Control valve	多路阀	1	HRH2FP730 5,2-3.5t, Four piece valve	HRH2FP730 5,2-3.5t,四片 阀
1	H2FP7-30441G	02	Control valve	多路阀	1	HRH2FP730 5,2-3.5t, Four piece valve	HRH2FP730 5,2-3.5t,四片 阀
1	H0AS7-30441	02	Control valve	多路阀	1	HRH2FP730 5,3.8t, Four piece valve	HRH2FP730 5,3.8t,四片 阀
1	H0AS7-30441G	02	Control valve	多路阀	1	HRH2FP730 5,3.8t, Four piece valve	HRH2FP730 5,3.8t,四片 阀
2	JT8022-16111	01	Right angle joint	直角接头	2	SAE	美制
2	JT6022-26001LOR	00	Right angle joint	直角接头	2	Metric	公制
3	JT6021-20001LOR	00	Straight joint	直通接头	2		
4	JT8022-96041	04	Right angle joint	直角接头	1	SAE, Three-t hrow	美制三片阀
4	JT8022-96041	04	Right angle joint	直角接头	2	SAE, Four-th row	美制,四片阀
4	JT6022-20211	00	Right angle joint	直角接头	1	Metric, Three -throw	公制 三片阀
4	JT6022-20211	00	Right angle joint	直角接头	2	Metric, Four-t hrow	公制,四片阀
5	JT8022-96031	04	Right angle joint	直角接头	1	SAE, Three-t hrow	美制三片阀
5	JT8022-96031	04	Right angle joint	直角接头	2	SAE, Four-th row	美制,四片阀
5	JT6022-20201	00	Right angle joint	直角接头	1	Metric, Three -throw	公制,三片阀
5	JT6022-20201	00	Right angle joint	直角接头	2	Metric, Four-t hrow	公制 四片阀
6	AA3G7-32001	00	Nut	M18 螺母	2	Metric, Three -throw	公制,三片阀
6	AA3G7-32001	00	Nut	M18 螺母	4	Metric, Four-t hrow	公制,四片阀
7	E12A7-60251	01	Plug	堵头	2	SAE, Three-t hrow	美制三片阀

HRH2FP7351 02 Control valve

HRH2FP7351 02 多路阀总成(升级 OPS)



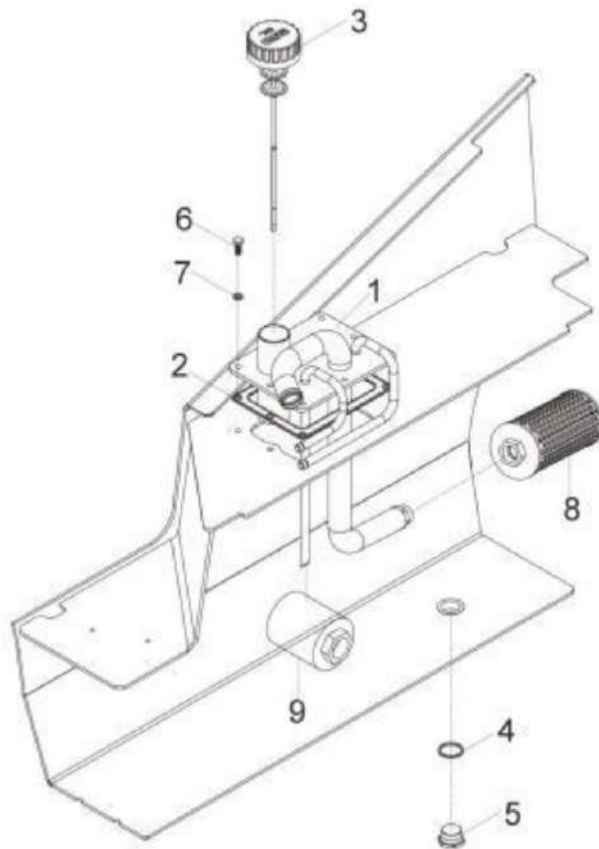
HRH2FP7351 02 Control valve

HRH2FP7351 02 多路阀总成(升级 OPS)

序号 No.	零部件代号 Part No.	版本 Edition	名称 Part name		数量 Q'ty	备注 Remark	
7	E12A7-60251	01	Plug	堵头	4	SAE,Four-th row	美制,四片阀
7	AA3G7-32011	00	Plug	24° 锥 M18 堵头	2	Metric,Three -throw	公制 三片阀
7	AA3G7-32011	00	Plug	24° 锥 M18 堵头	4	Metric,Four-t hrow	公制,四片阀

K2TJ7-50001 05 Oil tank cover plate and accessories

K2TJ7-50001 05 油箱盖板及附件



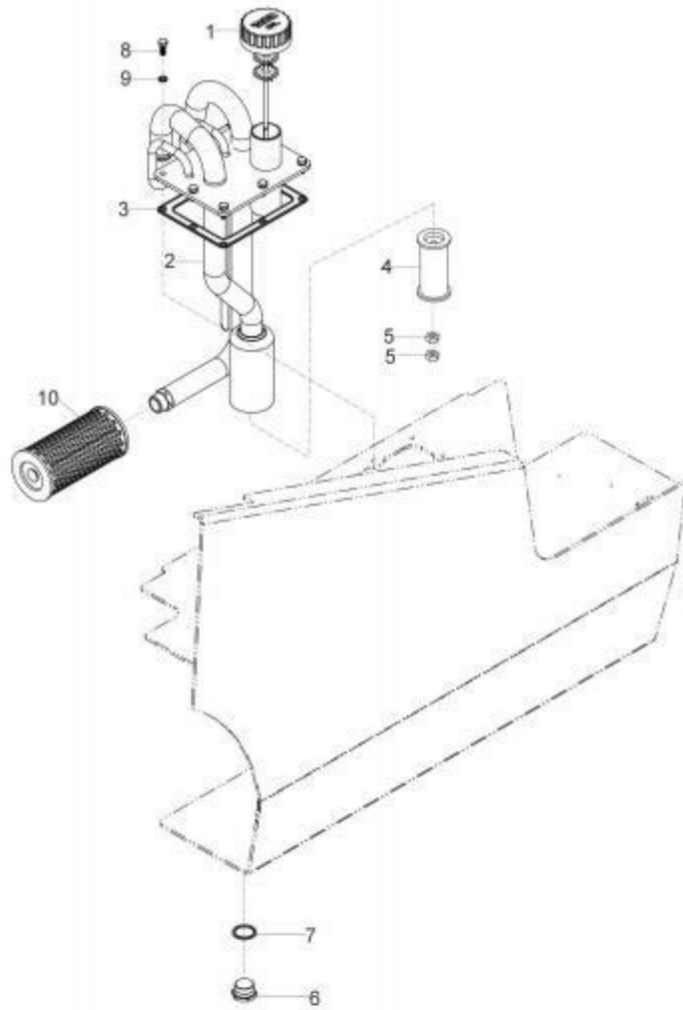
K2TJ7-50001 05 Oil tank cover plate and accessories

K2TJ7-50001 05 油箱盖板及配件

序号 No.	零部件代号 Part No.	版本 Edition	名称 Part name		数量 Q'ty	备注 Remark	
1	K0JN7-51011	01	Cover plate ass'y	油箱盖板总成	1		
2	52252-72071	09	Gasket	盖板垫	1		
3	23657-50401	03	Cap ass'y	加油盖总成	1		
4	Z6700-03027	00	Washer	组合垫圈 30	1	JB982-77	JB982-77
5	22197-52081	04	Plug	放油螺塞	1		
6	B0330-08020	00	Bolt	螺栓 M8x20	8	GB5783-86	GB5783-86
7	Z6701-00827	00	Washer	组合垫圈 8	8	JB982-77	JB982-77
8	H24C7-50201	06	Oil filter	滤油器(回油)	1		
9	H24C7-50302	01	Strainer	吸油滤清器	1		

AE937-50001 05 Oil tank

AE937-50001 05 液压油箱



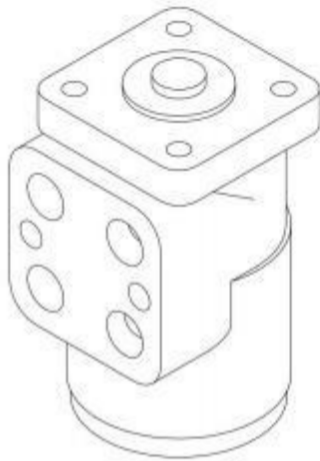
AE937-50001 05 Oil tank

AE937-50001 05 液压油箱

序号 No.	零部件代号 Part No.	版本 Edition	名称 Part name		数量 Q'ty	备注 Remark	
1	23657-50401	03	Cap ass'y	加油盖总成	1		
2	K2TJ7-51011G	00	Cover plate ass'y	油箱盖板总成	1		
3	52252-72071	09	Gasket	盖板垫	1		
4	23457-52221	03	Oil filter core	滤油芯	1		
5	B4123-00008	00	Nut	螺母 M8	2	GB6170-86	GB6170-86
6	22197-52081	04	Plug	放油螺塞	1		
7	Z6700-03027	00	Washer	组合垫圈 30	1	JB982-77	JB982-77
8	B0330-08020	00	Bolt	螺栓 M8x20	8	GB5783-86	GB5783-86
9	Z6701-00827	00	Washer	组合垫圈 8	8	JB982-77	JB982-77
10	H24C7-50201	06	Oil filter	滤油器(回油)	1		

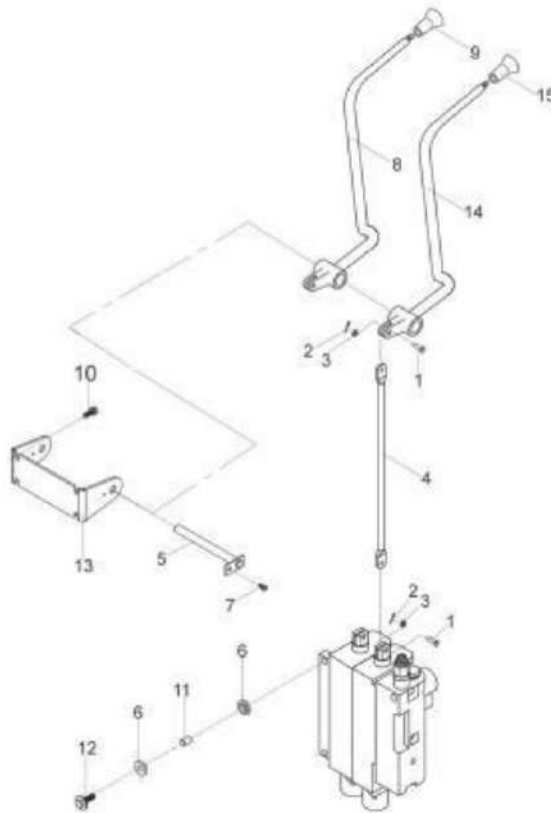
G0064-00051 02 Redirector ass'y

G0064-00051 02 转向器总成



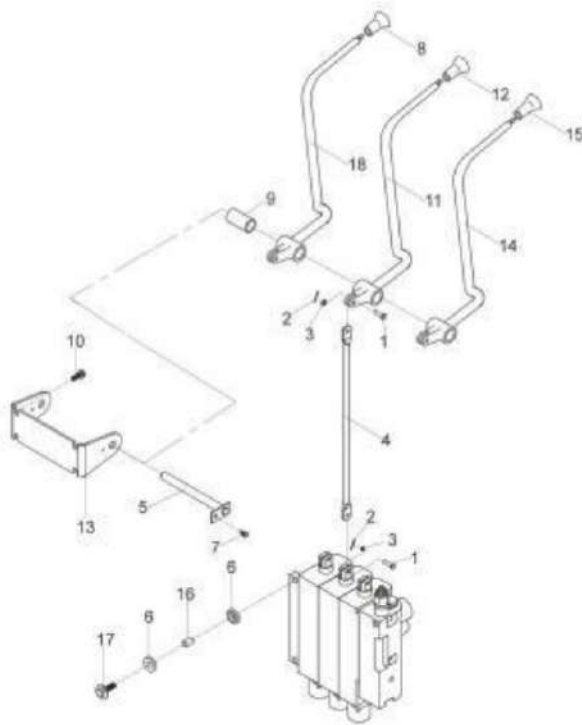
HRKM917401-1 05 Valve control linkage

HRKM917401-1 05 阀操纵总成



HRKM917401-2 05 Valve control linkage

HRKM917401-2 05 阀操纵总成



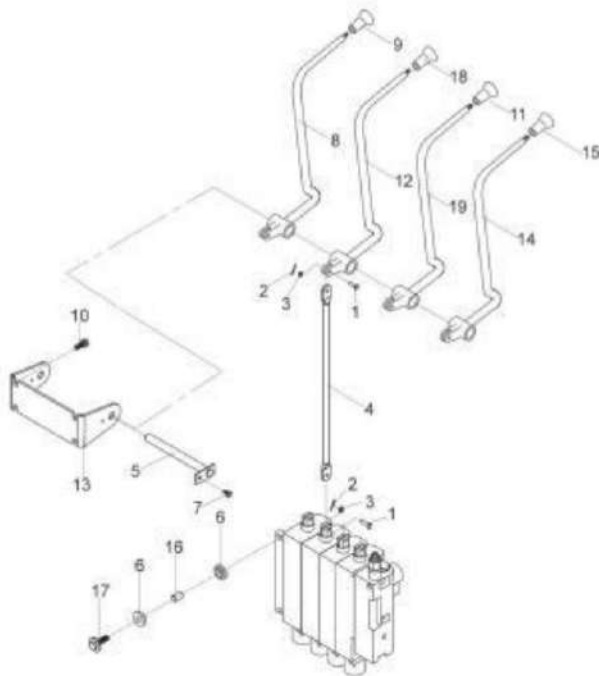
HRKM917401-2 05 Valve control linkage

HRKM917401-2 05 阀操纵总成

序号 No.	零部件代号 Part No.	版本 Edition	名称 Part name		数量 Q'ty	备注 Remark	
1	22717-40061	02	Screw	销钉	6		
2	B3010-02016	00	Pin 2 x16	销 2x16	6	GB91-86	GB91-86
3	B5050-00006	00	Washer,lock	垫圈 6	6	GB93-87	GB93-87
4	KM917-60601	02	Joint	连接杆	3	No/Walk/Full (Australian) OPS	不装/行走/全 套(澳 洲)OPS
4	K2TJ7-42001	00	Joint	连接杆	3	Enhance Ops	增强 OPS
5	23647-40041	01	Link	连接轴	1		
6	H24C7-42121	02	Cushion	减震块	6		
7	B1210-06012	00	Screw	螺钉 M6x12	1	GB818-85	GB818-85
8	63110-19601	00	Knob,lever	手柄(前移)	1	HRA22A740 6	HRA22A740 6
9	23657-42131	00	Sleeve	调节套	1		
10	B0330-08025-X	00	Combined bolt	组合螺栓 M8x25	4	GB/T9074. 1 7-88	GB/T9074.1 7-88
11	H24C7-40201	00	Tilt,lever	倾斜阀杆	1	HRH24C740 3	HRH24C740 3
12	214A7-42011	01	Knob,lever (tilt)	手柄(倾斜)	1	HRA22A740 6	HRA22A740 6
13	H24C7-42021	08	Bracket,valve lever	阀杆支架	1	HRH24C740 2	HRH24C740 2
14	H24C7-40101	03	Lift lever	升降阀杆	1	HRH24C740 3	HRH24C740 3
15	214A7-42001	01	Knob,lever (lift)	手柄(升降)	1	HRA22A740 6	HRA22A740 6
16	H24C6-42321	00	Bushing	衬管 Φ 13X1.2' L	3		
17	B0530-10035-X2D	00	Combined bolt M10x1.25x35	组合螺栓 M10x1.25x35	3	GB5786-86	GB5786-86
18	H24C7-40301	02	Third lever	第三片阀杆	1	HRH24C740 3	HRH24C740 3

HRKM917401-3 05 Valve control linkage

HRKM917401-3 05 阀操纵总成



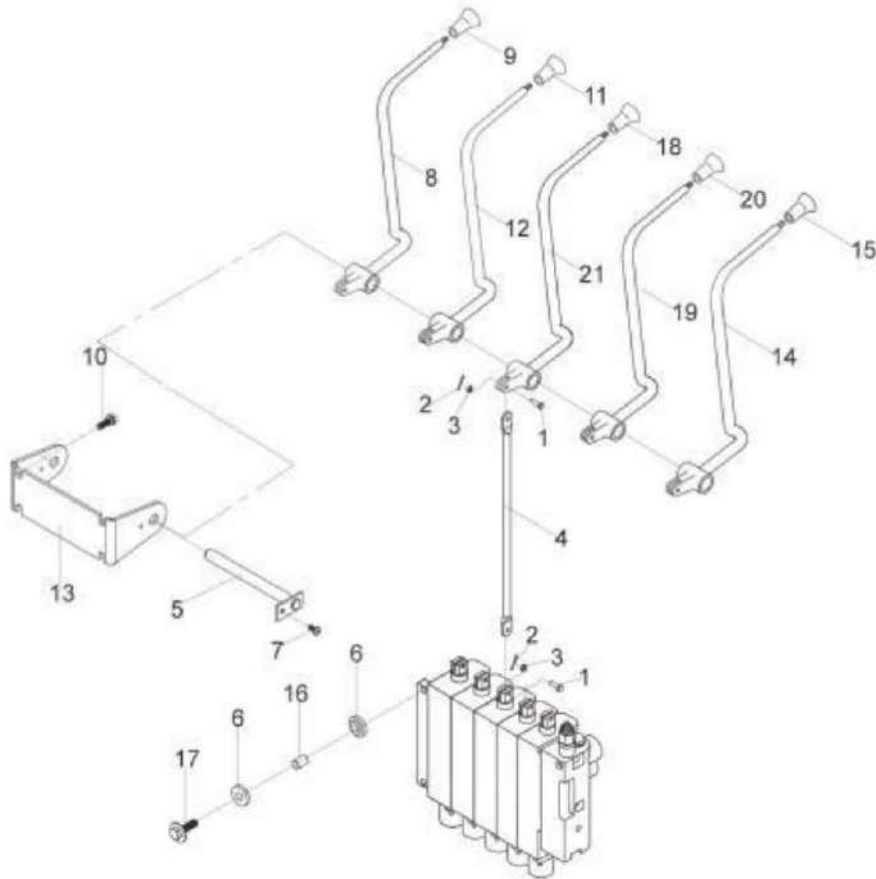
HRKM917401-3 05 Valve control linkage

HRKM917401-3 05 阀操纵总成

序号 No.	零部件代号 Part No.	版本 Edition	名称 Part name		数量 Q'ty	备注 Remark	
1	22717-40061	02	Screw	销钉	8		
2	B3010-02016	00	Pin 2 x16	销 2x16	8	GB91-86	GB91-86
3	B5050-00006	00	Washer,lock	垫圈 6	8	GB93-87	GB93-87
4	KM917-60601	02	Joint	连接杆	4	No/Walk/Full (Australian) OPS	不装/行走/全 套(澳 洲)OPS
4	K2TJ7-42001	00	Joint	连接杆	4	Enhance Ops	增强 OPS
5	23647-40041	01	Link	连接轴	1		
6	H24C7-42121	02	Cushion	减震块	6		
7	B1210-06012	00	Screw	螺钉 M6x12	1	GB818-85	GB818-85
8	H24C7-40401	02	Fourth lever	第四片阀杆	1	HRH24C740 3	HRH24C740 3
9	63110-19611	00	Knob,lever	手柄(侧移)	1	HRA22A740 6	HRA22A740 6
10	B0330-08025-X	00	Combined bolt	组合螺栓 M8x25	4	GB/T9074.1 7-88	GB/T9074.1 7-88
11	214A7-42011	01	Knob,lever (tilt)	手柄(倾斜)	1	HRA22A740 6	HRA22A740 6
12	H24C7-40301	02	Third lever	第三片阀杆	1	HRH24C740 3	HRH24C740 3
13	H24C7-42021	08	Bracket, valve lever	阀杆支架	1	HRH24C740 2	HRH24C740 2
14	H24C7-40101	03	Lift lever	升降阀杆	1	HRH24C740 3	HRH24C740 3
15	214A7-42001	01	Knob,lever (lift)	手柄(升降)	1	HRA22A740 6	HRA22A740 6
16	H24C6-42321	00	Bushing	衬管 Φ 13X1.2' L	3		
17	B0530-10035-X2D	00	Combined bolt M10x1.25x35	组合螺栓 M10x1.25x35	3	GB5786-86	GB5786-86
18	63110-19601	00	Knob,lever	手柄(前移)	1	HRA22A740 6	HRA22A740 6
19	H24C7-40201	00	Tilt,lever	倾斜阀杆	1	HRH24C740 3	HRH24C740 3

HRKM917401-4 05 Valve control linkage

HRKM917401-4 05 阀操纵总成



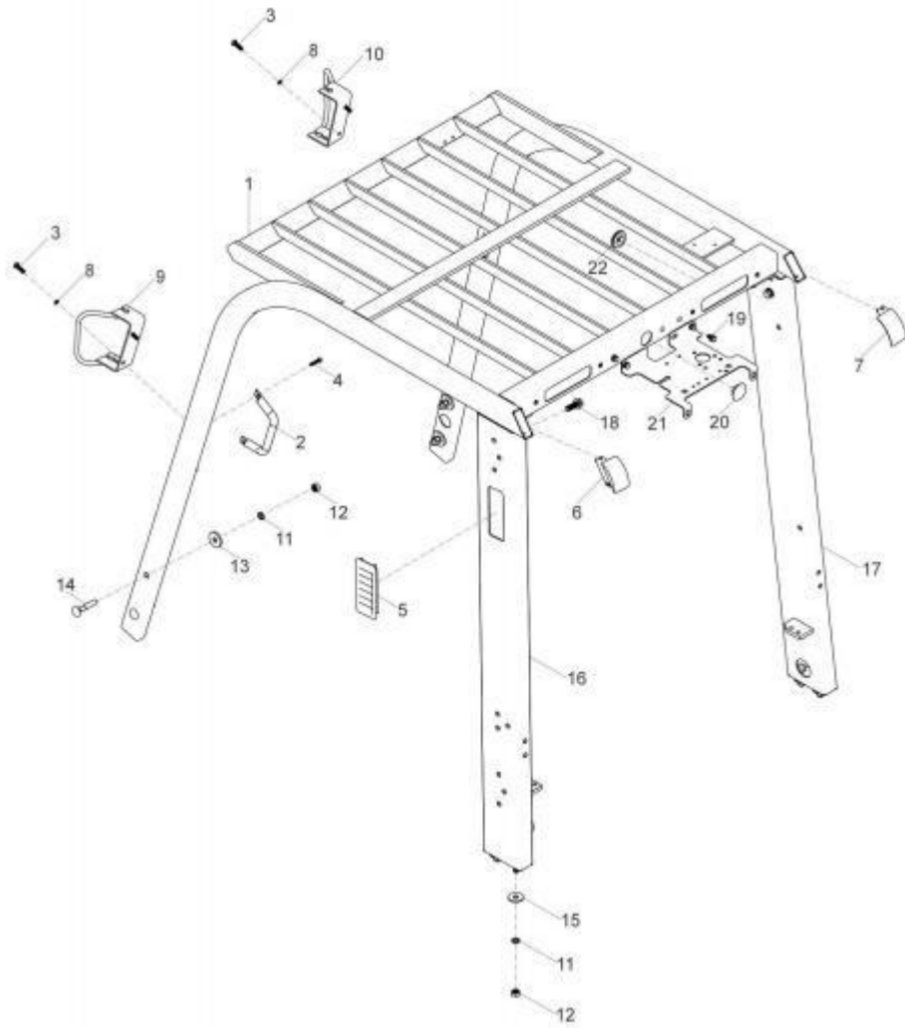
HRKM917401-4 05 Valve control linkage

HRKM917401-4 05 阀操纵总成

序号 No.	零部件代号 Part No.	版本 Edition	名称 Part name		数量 Q'ty	备注 Remark	
1	22717-40061	02	Screw	销钉	10		
2	B3010-02016	00	Pin 2 x16	销 2x16	10	GB91-86	GB91-86
3	B5050-00006	00	Washer,lock	垫圈 6	10	GB93-87	GB93-87
4	KM917-60601	02	Joint	连接杆	5	No/Walk/Full (Australian) OPS	不装/行走/全套(澳洲)OPS
4	K2TJ7-42001	00	Joint	连接杆	5	Enhance Ops	增强 OPS
5	A22A7-40701	00	Link	连接轴	1		
6	H24C7-42121	02	Cushion	减震块	6		
7	B1210-06012	00	Screw	螺钉 M6x12	1	GB818-85	GB818-85
8	H24C7-40501	00	Lever , fifth	第五片阀杆	1	HRH24C740 3	HRH24C740 3
9	63110-19621	00	Knob,lever	手柄 (货叉间距)	1	HRA22A740 6	HRA22A740 6
10	B0330-08025-X	00	Combined bolt	组合螺栓 M8x25	4	GB/T9074.1 7-88	GB/T9074.1 7-88
11	63110-19601	00	Knob,lever	手柄(前移)	1	HRA22A740 6	HRA22A740 6
12	H24C7-40401	02	Fourth lever	第四片阀杆	1	HRH24C740 3	HRH24C740 3
13	H24C7-42031	01	Bracket, valve lever	阀杆支架	1	HRH24C740 2	HRH24C740 2
14	H24C7-40101	03	Lift lever	升降阀杆	1	HRH24C740 3	HRH24C740 3
15	214A7-42001	01	Knob,lever (lift)	手柄(升降)	1	HRA22A740 6	HRA22A740 6
16	H24C6-42321	00	Bushing	衬管 Φ 13X1.2' L	3		
17	B0530-10035-X2D	00	Combined bolt M10x1.25x35	组合螺栓 M10x1.25x35	3	GB5786-86	GB5786-86
18	63110-19611	00	Knob,lever	手柄(侧移)	1	HRA22A740 6	HRA22A740 6
19	H24C7-40201	00	Tilt, lever	倾斜阀杆	1	HRH24C740 3	HRH24C740 3
20	214A7-42011	01	Knob,lever (tilt)	手柄(倾斜)	1	HRA22A740 6	HRA22A740 6
21	H24C7-40301	02	Third lever	第三片阀杆	1	HRH24C740 3	HRH24C740 3

K0JW5-10001 00 Roof guard assembly

K0JW5-10001 00 护顶架总成



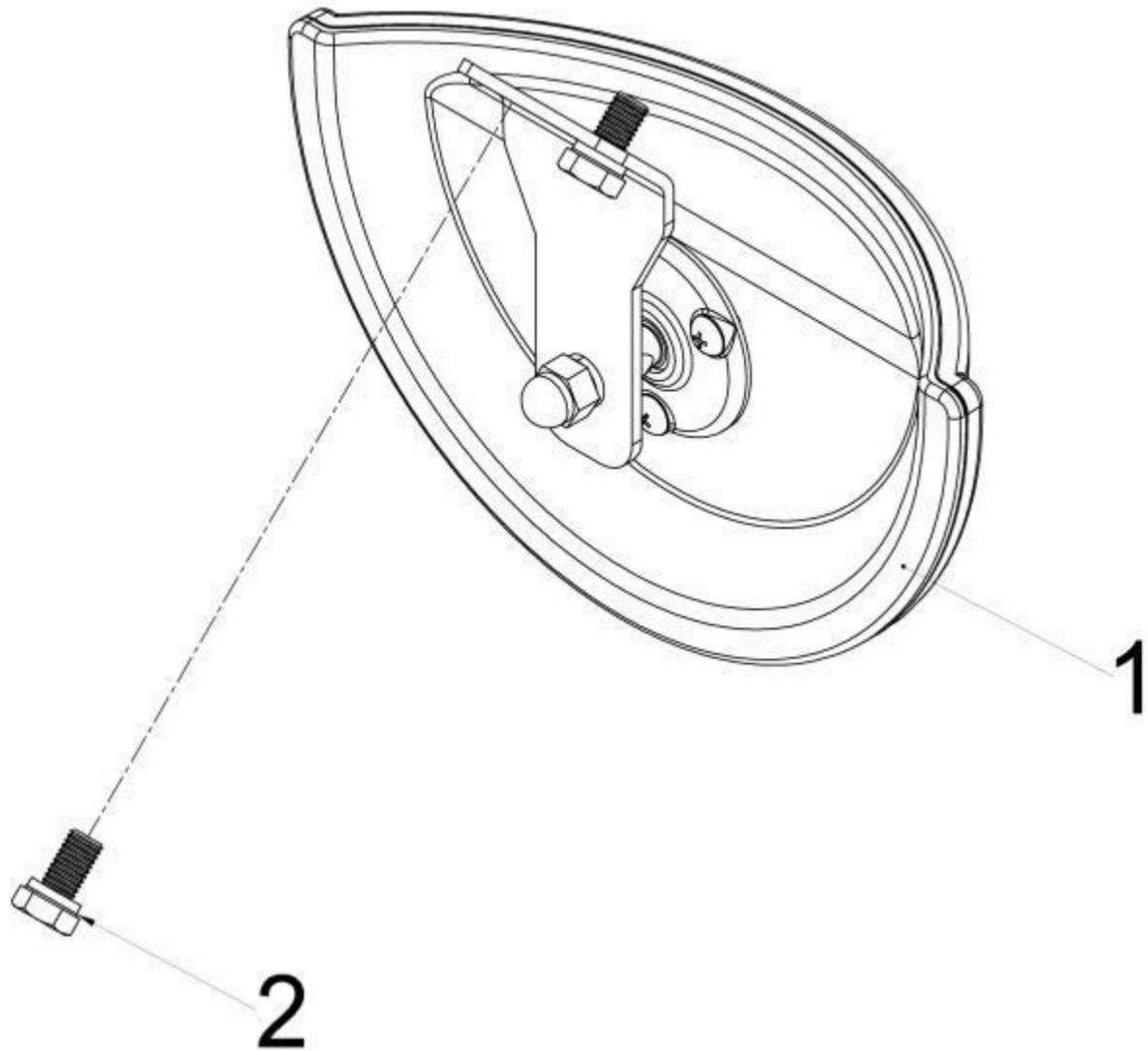
K0JW5-10001 00 Roof guard assembly

K0JW5-10001 00 护顶架总成

序号 No.	零部件代号 Part No.	版本 Edition	名称 Part name		数量 Q'ty	备注 Remark	
1	HRK9FL5101	16	Overhead guard	框架总成	1		
2	A22A5-10412G	03	Handle,grip	把手总成	1		
3	B0330-08025	00	Bolt	螺栓 M8x25	4	GB5783-86	GB5783-86
4	B8030-06030	00	Screw M6x30	螺钉 M6x30	2	GB70-85	GB70-85
5	HY255-12011	02	Intake hood	进气罩	1	For ordinary air filter	用于普通空 滤
6	A22A5-12201GXL	01	Cover	边管罩(左)	1		
7	A22A5-12201GXR	01	Cover	边管罩(右)	1		
8	B5050-00008	00	Washer	垫圈 8	4	GB93-87	GB93-87
9	AF935-10271	01	Bracket L.H.	前大灯支架总成(左)	1		
10	AF935-10261	02	Bracket R.H.	前大灯支架总成(右)	1		
11	B5050-00012	00	Washer	垫圈 12	8	GB93-87	GB93-87
12	B4123-00012	00	Nut	螺母 M12	8	GB6170-86	GB6170-86
13	27354-12341	00	Washer	垫片	4		
14	H24C5-12922	01	Bolt	螺栓	4		
15	B5210-00012	00	Washer	垫圈 12	4	GB96-85	GB96-85
16	K0JW5-10241	00	Rear Support Rod Assembly (Left)	后支撑杆总成 (左)	1	With cab	装驾驶室
16	K0JW5-10201	00	Rear Support Rod Assembly (Left)	后支撑杆总成 (左)	1	Normal	标配
17	K0JW5-10341	00	Rear support rod assembly (right)	后支撑杆总成 (右)	1	With fire extinguisher	装灭火器
17	K0JW5-10301	00	Rear support rod assembly (right)	后支撑杆总成 (右)	1	Normal	标配
17	K0JW5-10311	00	Rear support rod assembly (right)	后支撑杆总成 (右)	1	With cab	装驾驶室
18	B0530-12040-X	00	Combined bolt M12x1.25x40	组合螺栓 M12x1.25x40	4	GB5786,GB 93,GB97. 1	GB5786,GB 93,GB97. 1
19	B0330-08016-X	00	Combined bolt	组合螺栓 M8x16	2	GB/T 9074. 17-88	GB/T 9074. 17-88
20	AP615-12281	00	Decorative cap	装饰盖 φ37	1		
21	KM915-10181	01	License plate rear mounting assembly	后牌照架安装总成	1	Domestic, double air filter vehicle	内销、双空滤 车用
22	H24C2-40701	01	Dusty ring	防尘胶圈	1		

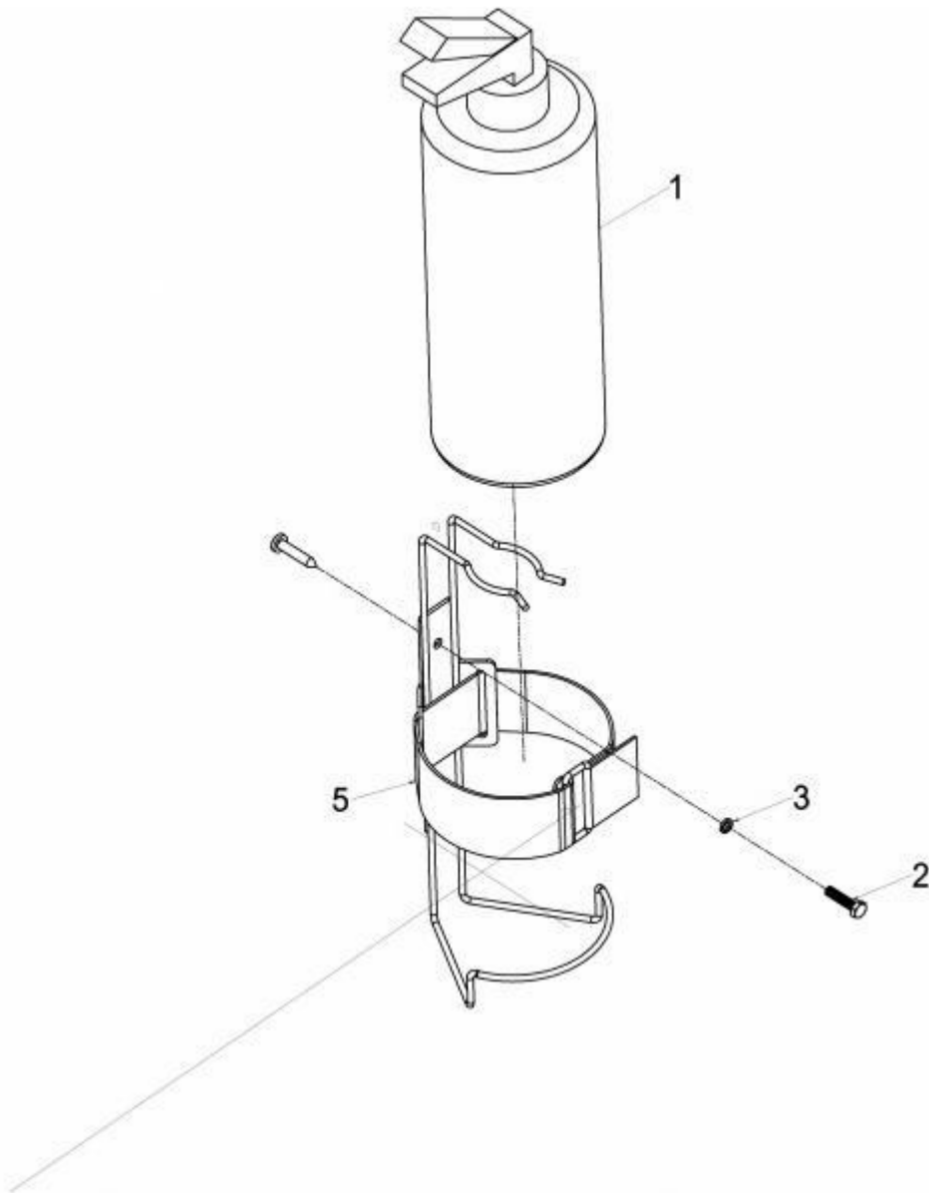
H2MD5-11001 03 Backup,mirror

H2MD5-11001 03 后视镜安装总成



H2MD5-10011 02 Fire extinguisher setting

H2MD5-10011 02 灭火器安装



H2MD5-10011 02 Fire extinguisher setting

H2MD5-10011 02 灭火器安装

序号 No.	零部件代号 Part No.	版本 Edition	名称 Part name		数量 Q'ty	备注 Remark	
1	MFZL2-ABC	00	Powder	灭火器 ABC 干粉,2 公斤	1	Without cab	不装驾驶室
1	MFJ450	00	Powder	干粉灭火器	1	With cab	装驾驶室
2	B0330-06025	00	Bolt	螺栓 M6x25	2	GB5783-86, Without cab	GB5783-86, 不装驾驶室
3	B5050-00006	00	Washer	垫圈 6	2	GB93-87	GB93-87
4	B1710-6P332	00	Screw	螺钉 ST6.3x32, GB845-85	1	GB845-85, With cab	GB845-85, 装驾驶室
5	E19S5-10021GJ	00	Bracket	灭火器支架总成	1		

MFZL2-ABC 00

MFZL2-ABC 00 灭火器 ABC 干粉



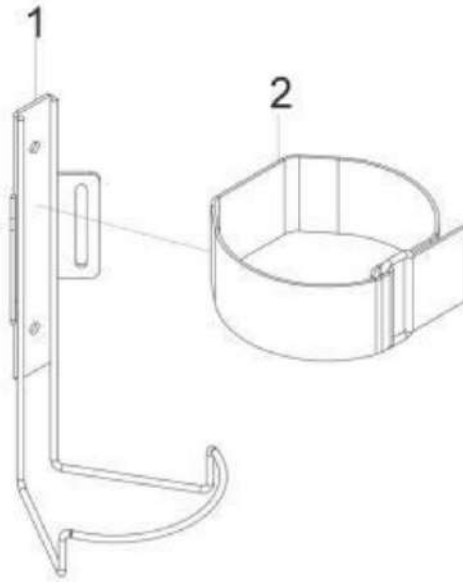
MFZL2-ABC 00

MFZL2-ABC 00 灭火器 ABC 干粉

序号 No.	零部件代号 Part No.	版本 Edition	名称 Part name		数量 Q'ty	备注 Remark	

E19S5-10021GJ 00 Bracket

E19S5-10021GJ 00 灭火器支架总成



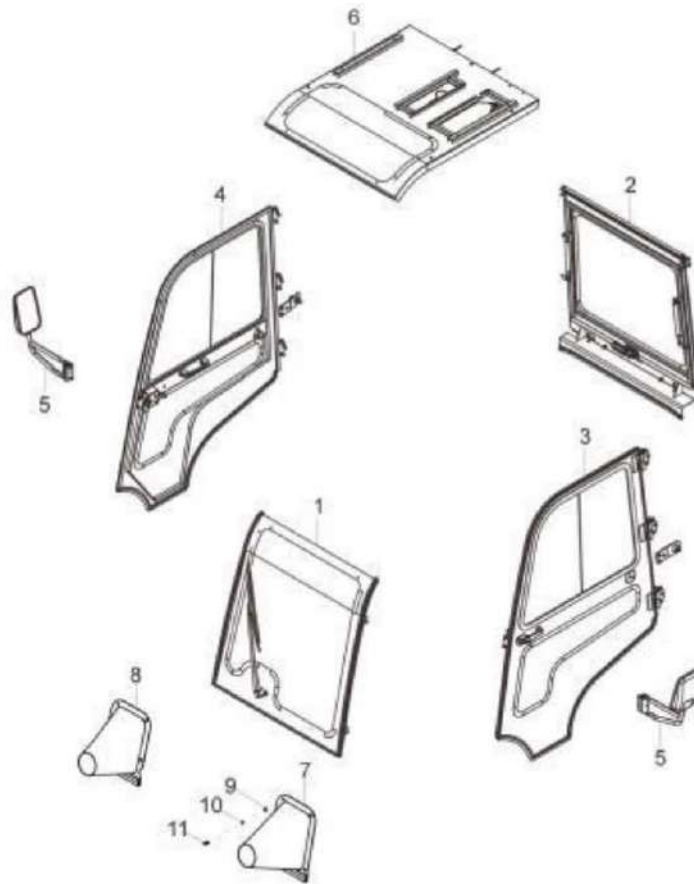
E19S5-10021GJ 00 Bracket

E19S5-10021GJ 00 灭火器支架总成

序号 No.	零部件代号 Part No.	版本 Edition	名称 Part name		数量 Q'ty	备注 Remark	
1	E19S5-10301GJ	01	Bracket	灭火器支架	1		
2	E19S5-12031	00	Velcro	魔术贴	1		

HRK9EL5701 09 K2 series 2-3.5T cab

HRK9EL5701 09 K2 系列 2-3.5t 驾驶室

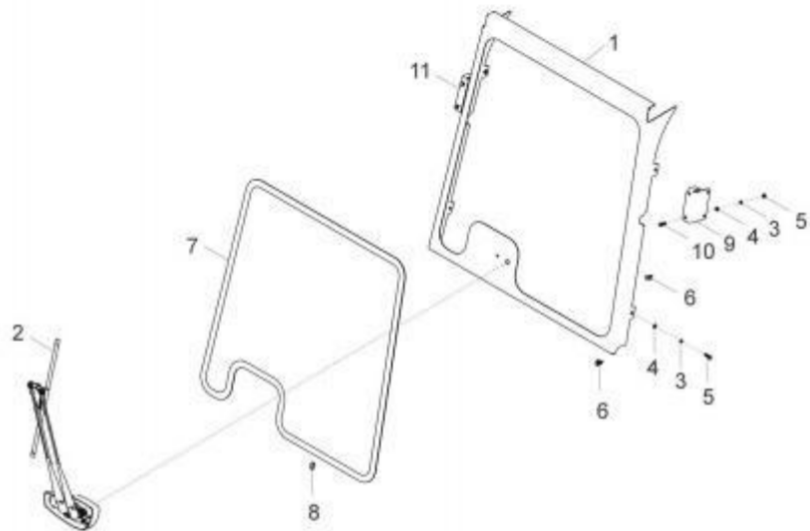


HRK9EL5701 09 K2 series 2-3.5T cab

HRK9EL5701 09 K2 2-3.5t							
HRK9EL5701 09 K2		2-3.5t					
序号 No.	零部件代号 Part No.	版本 Edition	名称 Part name		数量 Q'ty	备注 Remark	
0	K9EL5-70001A	08	Cab assembly	驾驶室总成	1		
0	K9EL5-70001HKW XD	00	K2 series rear air conditioning cab	K2 系列后置式空调驾 驶室	1	Rear air conditioner	后置式空调
1	K9EL5-70021GY	01	Front window ass'y	前窗总成	1		
2	K9EL5-70501XG	00	Rear window ass'y	后窗总成	1		
2	K9EL5-70051HYW XD	00	Rear window ass'y	后窗总成	1	For rear air conditioner	后置式空调 用
3	K9FL5-70041XL	01	Side door ass'y L.H.	左侧门总成	1		
4	K9FL5-70041XR	01	Side door ass'y R.H.	右侧门总成	1		
5	H43E5-71341	03	President of mirror installation	倒车镜安装总成	2		
6	K9FL5-70031A	05	Coping assembly	顶部总成	1		
6	K9FL5-70031AHZ S	00	Coping assembly	顶部总成 (后置式空调)	1	For rear air conditioner	后置式空调 用
7	K9FL5-74241L	00	Tilt cylinder jacket left	倾斜缸护套左	1		
8	K9FL5-74241R	00	Tilt cylinder jacket right	倾斜缸护套右	1		
9	B5310-00006	00	Washer,lock	垫圈 6	8	GB97.1-85	GB97. 1-85
10	B5050-00006	00	Washer,lock	垫圈 6	8	GB93-87	GB93-87
11	B1210-06016	00	Screw	螺钉 M6x16	8	GB818-85	GB818-85

K9EL5-70021GY 01 Front window ass'y

K9EL5-70021GY 01 前窗总成



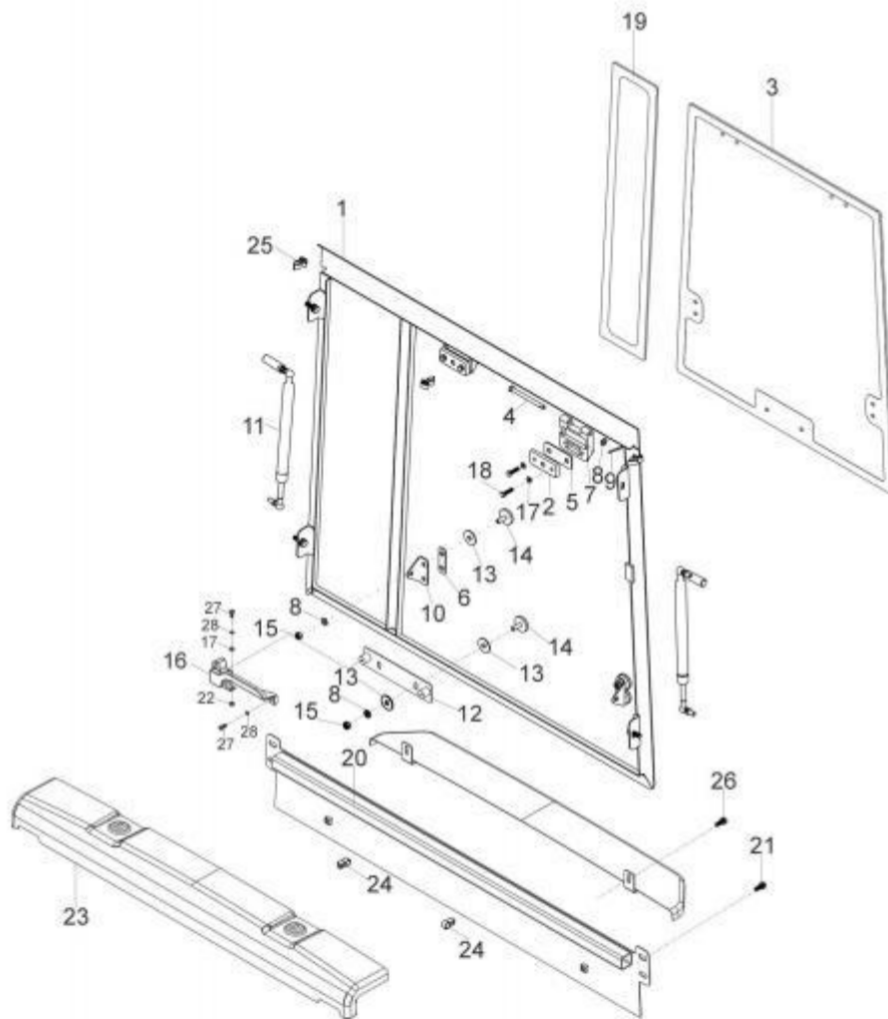
K9EL5-70021GY 01 Front window ass'y

K9EL5-70021GY 01 前窗总成

序号 No.	零部件代号 Part No.	版本 Edition	名称 Part name		数量 Q'ty	备注 Remark	
1	K9EL5-70211GY	01	Frame	前窗框架	1	X2587-302A	X2587-302A
2	K9EL5-72061	00	317 Blade,wiper	317 雨刮器 (带开关)	1		
3	B5050-00008	00	Washer	垫圈 8	8	GB93-87	GB93-87
4	B5310-00008	00	Washer	垫圈 8	8	GB97.1-85	GB97.1-85
5	B0330-08025	00	Bolt	螺栓 M8x25	8	GB5783-86	GB5783-86
6	G0U25-76051	00	Seal	密封条(侧气囊)	2	Outsourcing	外购
7	K9FL5-72141	00	Glass	前窗玻璃	1	X2587-307	X2587-307
8	JZX-70007	03	Sealing strip	玻璃密封条	1	Outsourcing	外购
9	K9FL5-72401L	00	Front lamp holder left	前灯支架左	1		
10	B4123-00008	00	Nut	螺母 M8	4	GB6170-86	GB6170-86
11	K9FL5-72401R	00	Front lamp holder right	前灯支架右	1		

K9EL5-70501XG 00 Rear window assembly

K9EL5-70501XG 00 后窗总成



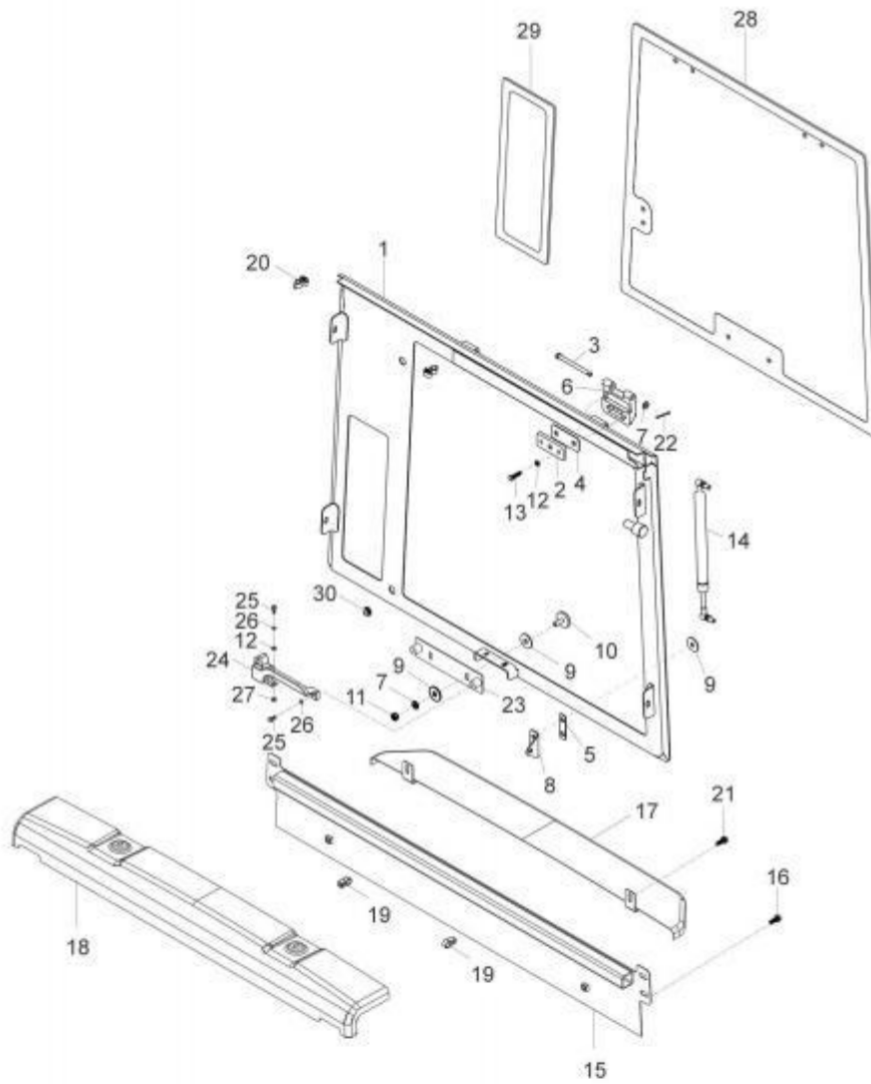
K9EL5-70501XG 00 Rear window assembly

K9EL5-70501XG 00 后窗总成

序号 No.	零部件代号 Part No.	版本 Edition	名称 Part name		数量 Q'ty	备注 Remark	
1	K9EL5-70511XG	00	Rear window jointing	后窗焊接	1		
2	G0U25-75261	00	Plate	塑料垫板	2		
3	H2MD5-75201XG	01	Rear window	后窗玻璃	1		
4	G0U25-75271	01	Shaft	轴	2		
5	G0U25-75281	00	Rubber I	橡胶垫 I	2		
6	G0U25-75291	00	Rubber II	橡胶垫 II	2		
7	G0U25-75001	00	Hinge joint	后窗铰链	2		
8	B5310-00008	00	Washer	垫圈 8	8	GB97.1-85	GB97.1-85
9	B3010-3P230	00	Pin	开口销 3.2x30	2	GB91-86	GB91-86
10	G0U25-75041	00	Bracket	气弹簧支座	2		
11	KM915-72921C	02	Gas spring	气弹簧	2		
12	G0U25-70531A	00	Jointing	衬板焊接	1		
13	G0U25-75301	00	Rubber III	橡胶垫 III	10		
14	G0U25-75051	00	Bolt	塑料嵌件螺栓 M8x23	6		
15	B4123-00008	00	Nut	螺母 M8	6	GB6170-86	GB6170-86
16	DS525-R	00	Handle	后窗把手锁 (右)	1		
17	B5310-00006	00	Washer,lock	垫圈 6	6	GB97.1-85	GB97.1-85
18	B0330-06025	00	Bolt	螺栓 M6x25	4	GB5783-86	GB5783-86
19	H2MD5-75211XG	01	Rear side window glass	后侧窗玻璃	1		
20	K9EL5-70521	00	Rear window jointing	后窗焊接	1		
21	B0330-08025-X	00	Combined bolt	组合螺栓 M8x25	11	GB/T9074.1 7-88	GB/T9074.1 7-88
22	B4123-00006	00	Nut	螺母 M6	2	GB6170-86	GB6170-86
23	K9FL6-42221Q	01	Front radiator cover	前水箱盖板	1		
24	P32F5-73411	01	Seal	密封竖条(直气囊)	2		
25	G0U25-76051	00	Seal	密封条(侧气囊)	3		
26	B0330-08020-X	00	Combined bolt	组合螺栓 M8x20	2	GB/T9074.1 7-88	GB/T9074.1 7-88
27	B1210-06016	00	Screw	螺钉 M6x16	4	GB818-85	GB818-85
28	B5050-00006	00	Washer,lock	垫圈 6	4	GB93-87	GB93-87

K9EL5-70051HYWXD 00 Rear window ass'y

K9EL5-70051HYWXD 00 后窗总成



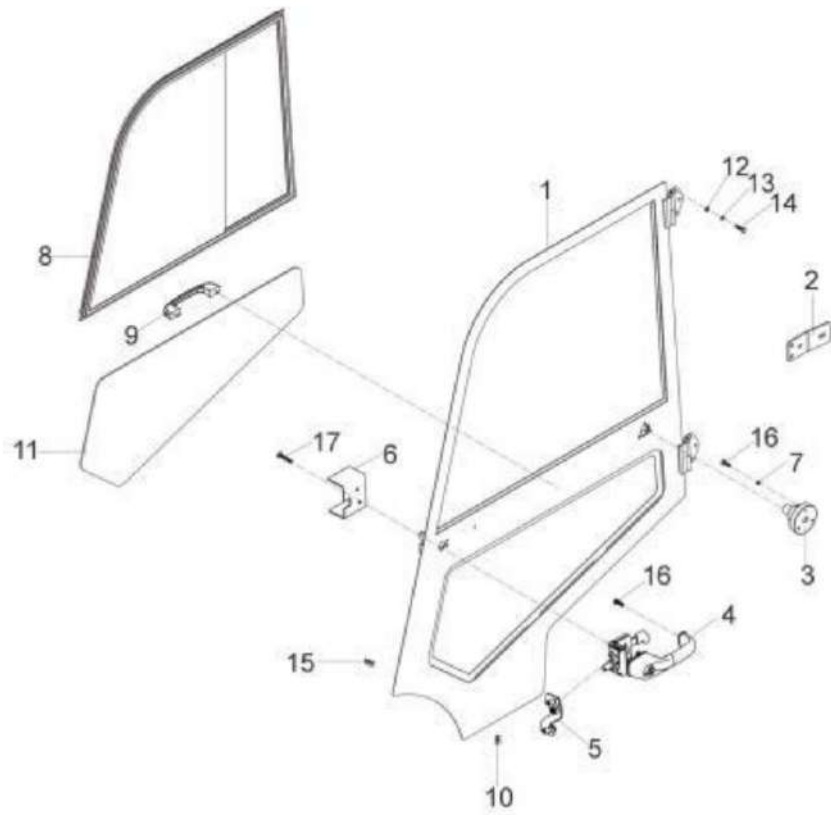
K9EL5-70051HYWXD 00 Rear window ass'y

K9EL5-70051HYWXD 00 后窗总成

序号 No.	零部件代号 Part No.	版本 Edition	名称 Part name		数量 Q'ty	备注 Remark	
1	K9EL5-70511HYW XD	00	Rear window jointing	后窗焊接	1		
2	G0U25-75261	00	Plate	塑料垫板	2	Outsourcing X1602-254	外购 X1602-254
3	G0U25-75271	01	Shaft	轴	2	X1602-255	X1602-255
4	G0U25-75281	00	Rubber I	橡胶垫 I	2	Outsourcing X1602-256	外购 X1602-256
5	G0U25-75291	00	Rubber II	橡胶垫 II	1	Outsourcing X1602-257	外购 X1602-257
6	G0U25-75001	00	Hinge joint	后窗铰链	2	Outsourcing X1602-232	外购 X1602-232
7	B5310-00008	00	Washer	垫圈 8	4	GB97.1-85	GB97.1-85
8	G0U25-75041	00	Bracket	气弹簧支座	1	X1602-236	X1602-236
9	G0U25-75301	00	Rubber III	橡胶垫 III	6	Outsourcing X1602-258	外购 X1602-258
10	G0U25-75051	00	Bolt	塑料嵌件螺栓 M8x23	2		
11	B4123-00008	00	Nut	螺母 M8	2	GB6170-86	GB6170-86
12	B5310-00006	00	Washer,lock	垫圈 6	6	GB97.1-85	GB97.1-85
13	B0330-06025	00	Bolt	螺栓 M6x25	4	GB5783-86	GB5783-86
14	KM915-72921C	02	Gas spring	气弹簧	1	Outsourcing	外购
15	K9EL5-70521	00	Rear window jointing	后窗焊接	1		
16	B0330-08025-X	00	Combined bolt	组合螺栓 M8x25	8	GB/T 9074.17-88	GB/T 9074.17-88
17	K9FL5-70531HZS	00	Rear radiator cover assembly	后水箱盖板总成	1		
18	K9FL6-42221Q	01	Front radiator cover	前水箱盖板	1		
19	P32F5-73411	01	Sealing vertical bar	密封竖条(直气囊)	2	Outsourcing	外购
20	G0U25-76051	00	Seal	密封条(侧气囊)	3	Outsourcing	外购
21	B0330-08020-X	00	Combined bolt	组合螺栓 M8x20	2	GB/T 9074.17-88	GB/T 9074.17-88
22	B3010-3P230	00	Pin	开口销 3.2x30	2	GB91-86	GB91-86
23	G0U25-70531A	00	Jointing	衬板焊接	1		
24	DS525-R	00	Handle	后窗把手锁(右)	1		
25	B1210-06016	00	Screw	螺钉 M6x16	4	GB818-85	GB818-85
26	B5050-00006	00	Washer,lock	垫圈 6	4	GB93-87	GB93-87
27	B4123-00006	00	Nut	螺母 M6	2	GB6170-86	GB6170-86
28	H2EF5-72131	01	Rear window	后窗玻璃	1		
29	H2MD5-75211H	01	Rear side window glass	后侧窗玻璃	1		
30	A65E5-10311	02	Rubber ring	出线胶圈	2		

K9FL5-70041XL 01 Side door ass'y L.H.

K9FL5-70041XL 01 左侧门总成



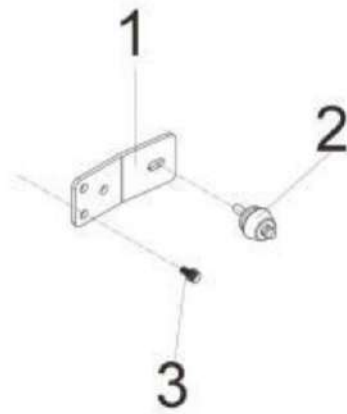
K9FL5-70041XL 01 Side door ass'y L.H.

K9FL5-70041XL 01 左侧门总成

序号 No.	零部件代号 Part No.	版本 Edition	名称 Part name		数量 Q'ty	备注 Remark	
1	K9FL5-70401XL	00	Door frame L.H.	左侧门框架	1		
2	K9FL5-70441X	00	Limit element	侧门限位机构	1		
3	G27Z5-70261	03	Lock	吸铁石定位锁	1		
4	DS502L	01	Side door lock assembly , L.H.	侧门锁总成(左)	1		
5	G0U25-70471NL	01	Pole,lock L.H.	锁柱总成(左)	1		
6	P62A5-72571L	03	Box L.H.	左锁盒	1		
7	B5310-00006	00	Washer,lock	垫圈 6	3	GB97.1-85	GB97.1-85
8	K9FL5-74461L	01	Window L.H.	左推拉窗	1		
9	Ja0308-0000B	02	Handle	小拉手	1		
10	P32F5-73411	01	Sealing vertical bar	密封竖条(直气囊)	1	L=1500mm	L=1500mm
11	K9FL5-74171L	01	Glass L.H.	左侧门玻璃	1		
12	B5310-00008	00	Washer	垫圈 8	8	GB97.1-85	GB97.1-85
13	B5050-00008	00	Washer	垫圈 8	8	GB93-87	GB93-87
14	B0330-08030	00	Bolt	螺栓 M8x30	8	GB5783-86	GB5783-86
15	G0U25-76051	00	Seal	密封条(侧气囊)	3		
16	B1210-06020	00	Screw	螺钉 M6x20	9	GB818-85	GB818-85
17	B1210-06035	00	Screw	螺钉 M6x35	1	GB818-85	GB818-85

K9FL5-70441X 00 Limit element

K9FL5-70441X 00 侧门限位机构



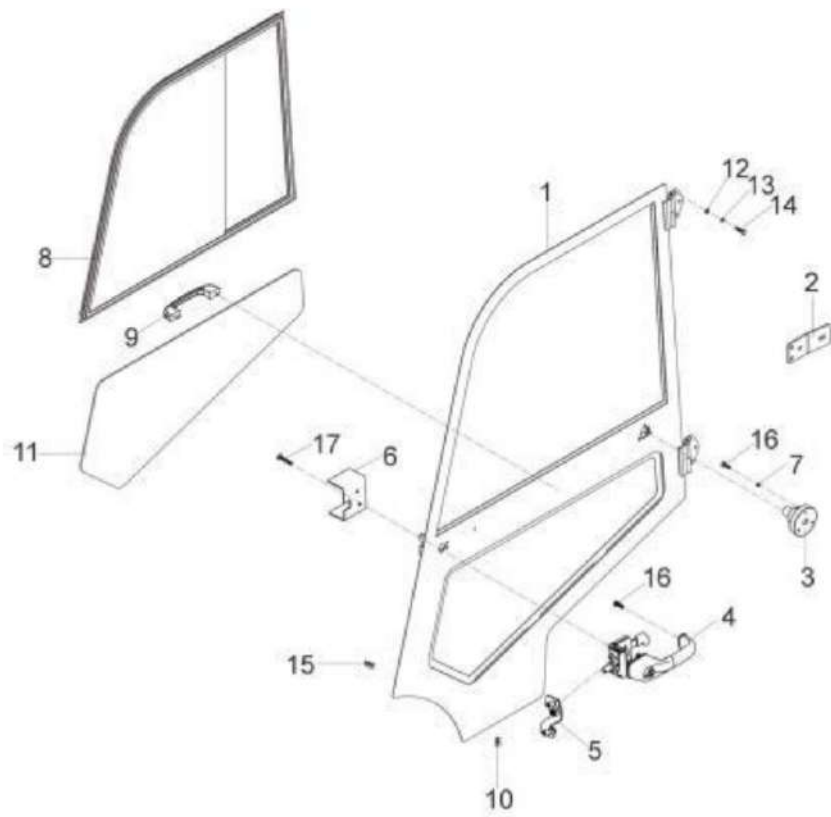
K9FL5-70441X 00 Limit element

K9FL5-70441X 00 侧门限位机构

序号 No.	零部件代号 Part No.	版本 Edition	名称 Part name		数量 Q'ty	备注 Remark	
1	K9FL5-75211X	00	Spring lock installment plate	碰锁安装板	1		
2	G27Z5-70371	00	Button	限位扣	1		
3	B0330-08025-X	00	Combined bolt	组合螺栓 M8x25	3	GB/T9074. 1 7-88	GB/T9074. 1 7-88

K9FL5-70041XR 01 Side door ass'y R.H.

K9FL5-70041XR 01 右侧门总成



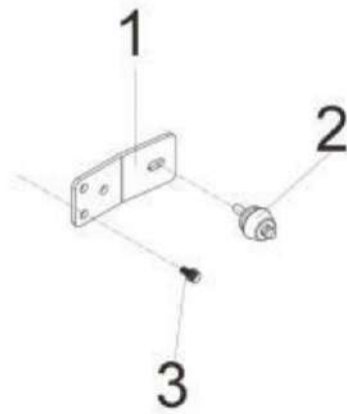
K9FL5-70041XR 01 Side door ass'y R.H.

K9FL5-70041XR 01 右侧门总成

序号 No.	零部件代号 Part No.	版本 Edition	名称 Part name		数量 Q'ty	备注 Remark	
1	K9FL5-70401XR	00	Door frame R.H.	右侧门框架	1		
2	K9FL5-70441X	00	Limit element	侧门限位机构	1		
3	G27Z5-70261	03	Lock	吸铁石定位锁	1		
4	DS502L	01	Side door lock assembly , L.H.	侧门锁总成(左)	1		
5	G0U25-70471NR	01	Pole,lock R.H.	锁柱总成（右）	1		
6	P62A5-72571R	02	Box R.H.	右锁盒	1		
7	B5310-00006	00	Washer,lock	垫圈 6	3	GB97.1-85	GB97. 1-85
8	K9FL5-74461R	01	Window R.H.	右推拉窗	1		
9	Ja0308-0000B	02	Handle	小拉手	1		
10	P32F5-73411	01	Sealing vertical bar	密封竖条(直气囊)	1	L=1500mm	L=1500mm
11	K9FL5-74171R	01	Glass R.H.	右侧门玻璃	1		
12	B5310-00008	00	Washer	垫圈 8	8	GB97.1-85	GB97. 1-85
13	B5050-00008	00	Washer	垫圈 8	8	GB93-87	GB93-87
14	B0330-08030	00	Bolt	螺栓 M8x30	8	GB5783-86	GB5783-86
15	G0U25-76051	00	Seal	密封条(侧气囊)	3		
16	B1210-06020	00	Screw	螺钉 M6x20	9	GB818-85	GB818-85
17	B1210-06035	00	Screw	螺钉 M6x35	1	GB818-85	GB818-85

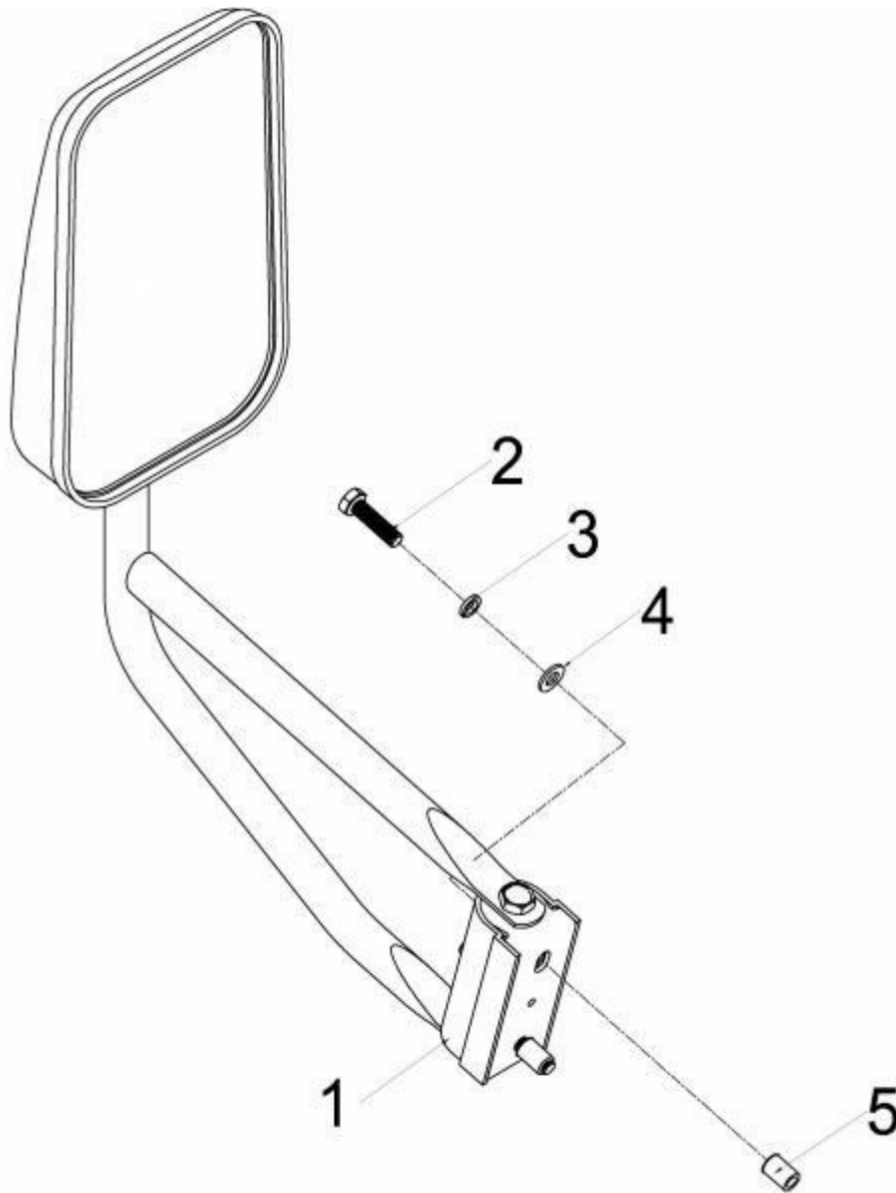
K9FL5-70441X 00 Limit element

K9FL5-70441X 00 侧门限位机构



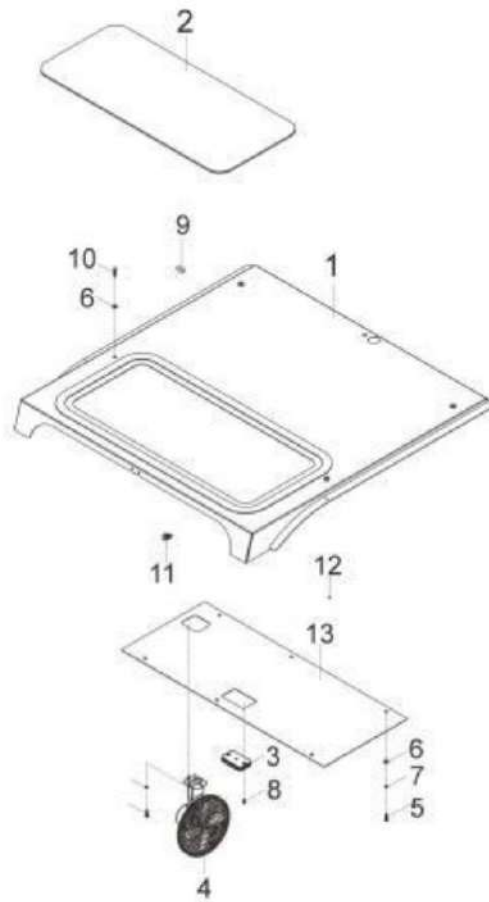
H43E5-71341 03 President of mirror installation

H43E5-71341 03 倒车镜安装总成



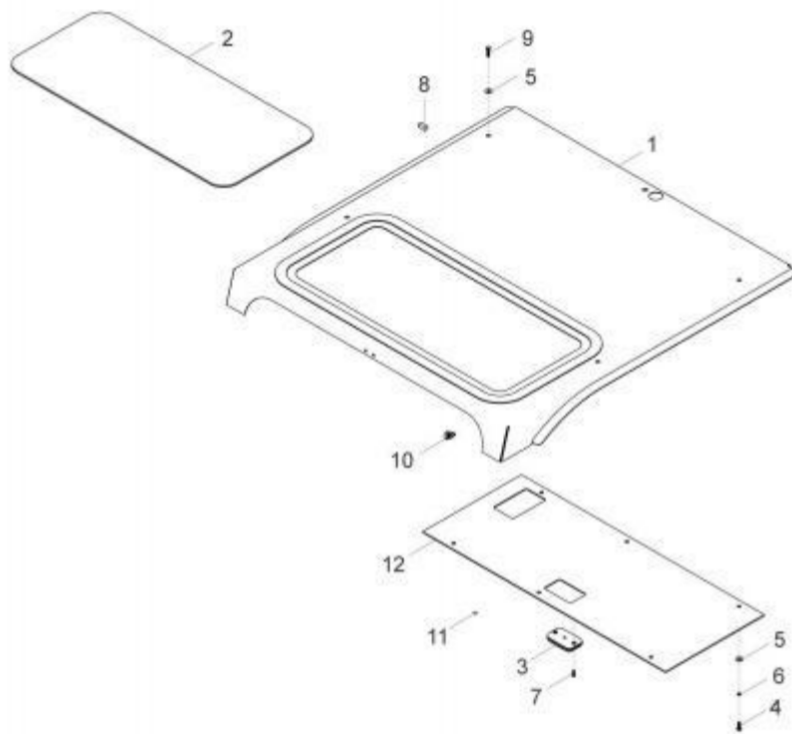
K9FL5-70031A 05 Coping assembly

K9FL5-70031A 05 顶部总成



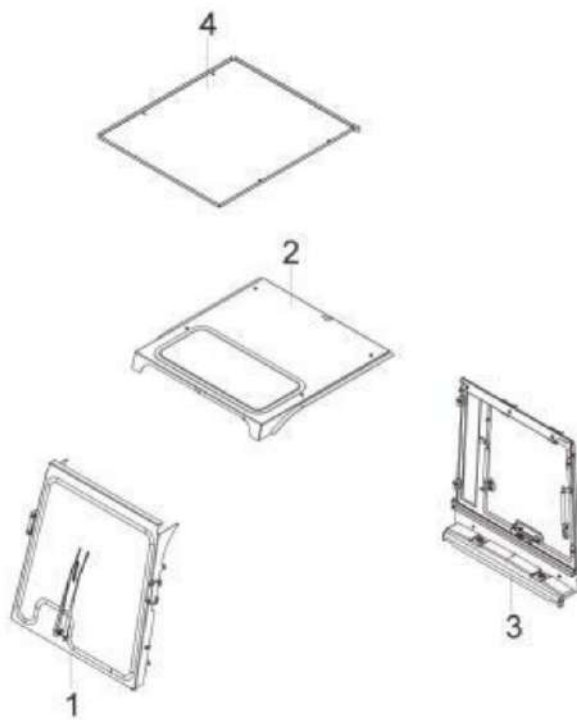
K9FL5-70031AHZS 00 Coping assembly

K9FL5-70031AHZS 00 顶部总成（后置式空调）



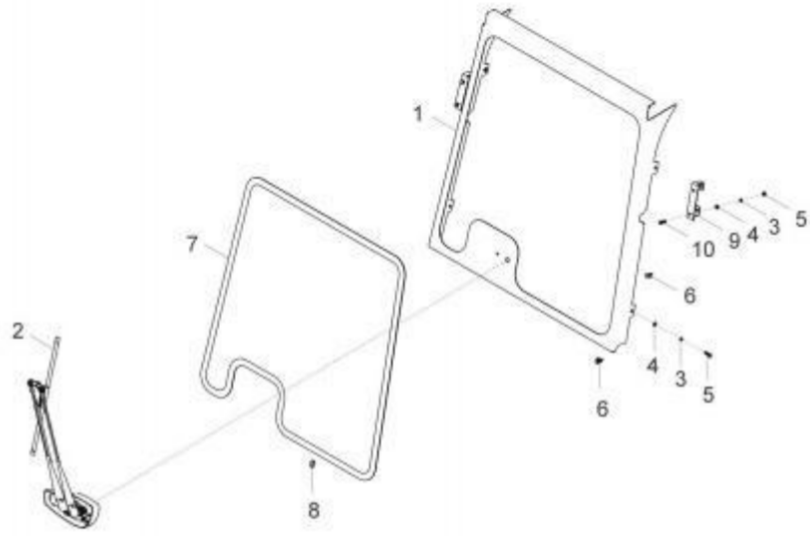
HRK9EL5901 03 Wind-shield equipments

HRK9EL5901 03 K2 系列 2-3.5t 挡风类



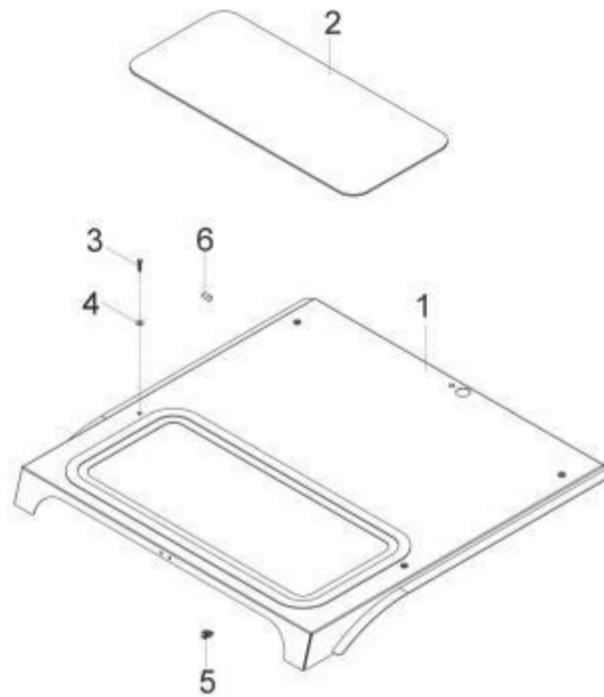
K9EL5-70021Q 00 Front window ass'y

K9EL5-70021Q 00 前窗总成



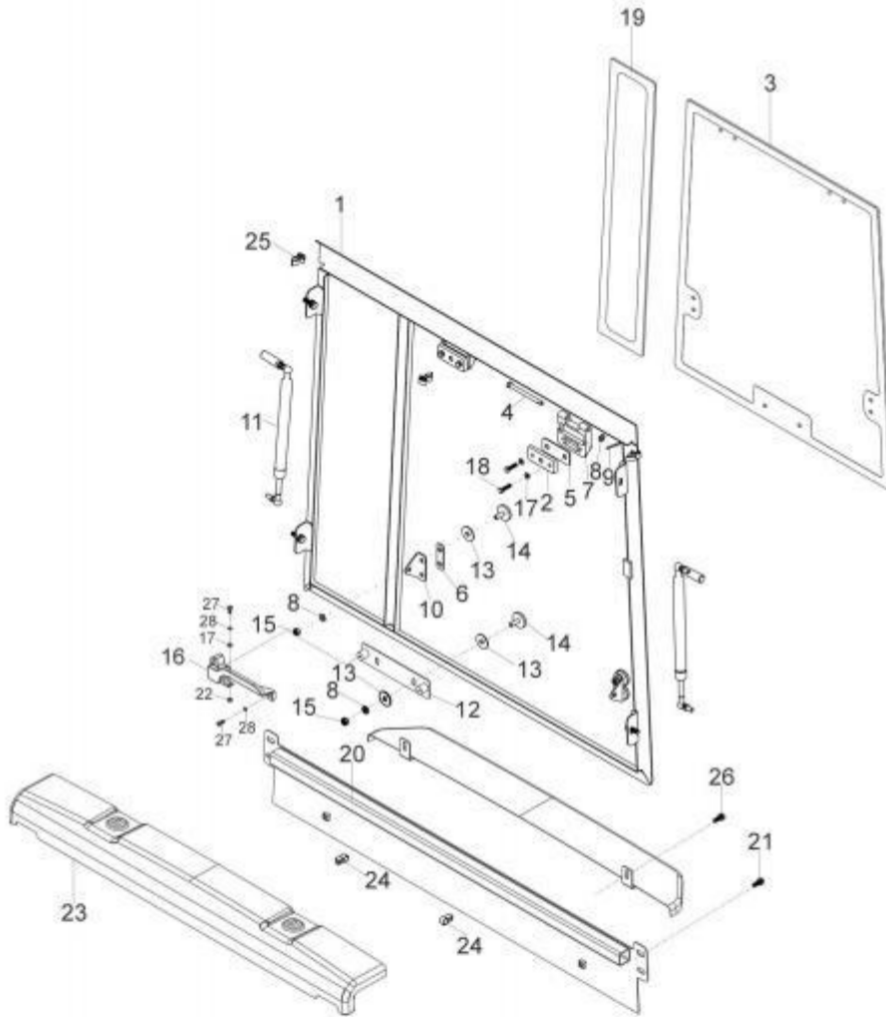
K9FL5-70031D 01 Coping assembly

K9FL5-70031D 01 顶部总成



K9EL5-70501XG 00 Rear window assembly

K9EL5-70501XG 00 后窗总成



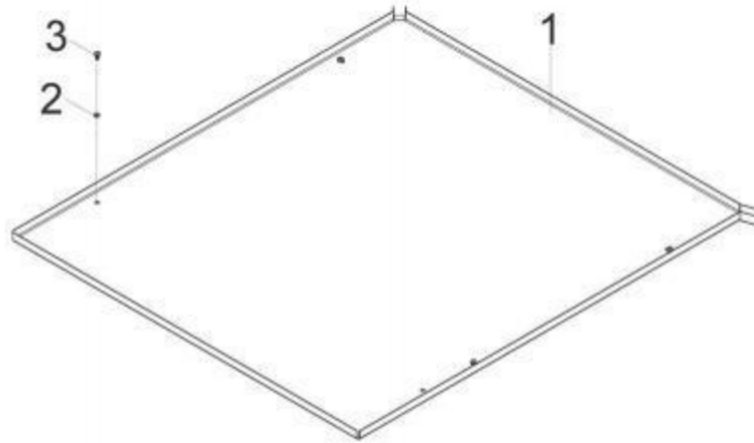
K9EL5-70501XG 00 Rear window assembly

K9EL5-70501XG 00 后窗总成

序号 No.	零部件代号 Part No.	版本 Edition	名称 Part name		数量 Q'ty	备注 Remark	
1	K9EL5-70511XG	00	Rear window jointing	后窗焊接	1		
2	G0U25-75261	00	Plate	塑料垫板	2		
3	H2MD5-75201XG	01	Rear window	后窗玻璃	1		
4	G0U25-75271	01	Shaft	轴	2		
5	G0U25-75281	00	Rubber I	橡胶垫 I	2		
6	G0U25-75291	00	Rubber II	橡胶垫 II	2		
7	G0U25-75001	00	Hinge joint	后窗铰链	2		
8	B5310-00008	00	Washer	垫圈 8	8	GB97.1-85	GB97.1-85
9	B3010-3P230	00	Pin	开口销 3.2x30	2	GB91-86	GB91-86
10	G0U25-75041	00	Bracket	气弹簧支座	2		
11	KM915-72921C	02	Gas spring	气弹簧	2		
12	G0U25-70531A	00	Jointing	衬板焊接	1		
13	G0U25-75301	00	Rubber III	橡胶垫 III	10		
14	G0U25-75051	00	Bolt	塑料嵌件螺栓 M8x23	6		
15	B4123-00008	00	Nut	螺母 M8	6	GB6170-86	GB6170-86
16	DS525-R	00	Handle	后窗把手锁 (右)	1		
17	B5310-00006	00	Washer,lock	垫圈 6	6	GB97.1-85	GB97.1-85
18	B0330-06025	00	Bolt	螺栓 M6x25	4	GB5783-86	GB5783-86
19	H2MD5-75211XG	01	Rear side window glass	后侧窗玻璃	1		
20	K9EL5-70521	00	Rear window jointing	后窗焊接	1		
21	B0330-08025-X	00	Combined bolt	组合螺栓 M8x25	11	GB/T9074.1 7-88	GB/T9074.1 7-88
22	B4123-00006	00	Nut	螺母 M6	2	GB6170-86	GB6170-86
23	K9FL6-42221Q	01	Front radiator cover	前水箱盖板	1		
24	P32F5-73411	01	Seal	密封竖条(直气囊)	2		
25	G0U25-76051	00	Seal	密封条(侧气囊)	3		
26	B0330-08020-X	00	Combined bolt	组合螺栓 M8x20	2	GB/T9074.1 7-88	GB/T9074.1 7-88
27	B1210-06016	00	Screw	螺钉 M6x16	4	GB818-85	GB818-85
28	B5050-00006	00	Washer,lock	垫圈 6	4	GB93-87	GB93-87

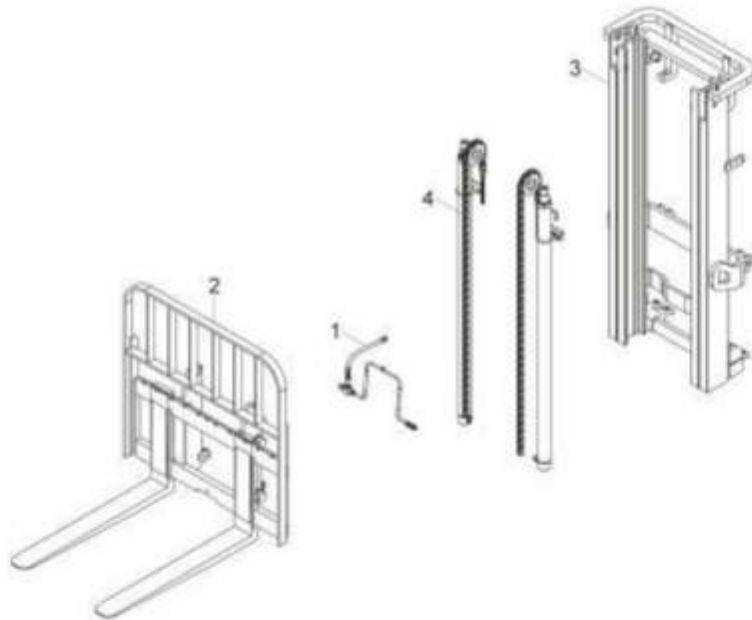
H2MD5-70101 00 Iron sheet ceiling assembly

H2MD5-70101 00 铁皮顶棚总成



HRD9FL8001 03 3T Lifting system

HRD9FL8001 03 3T 起重系统(M)



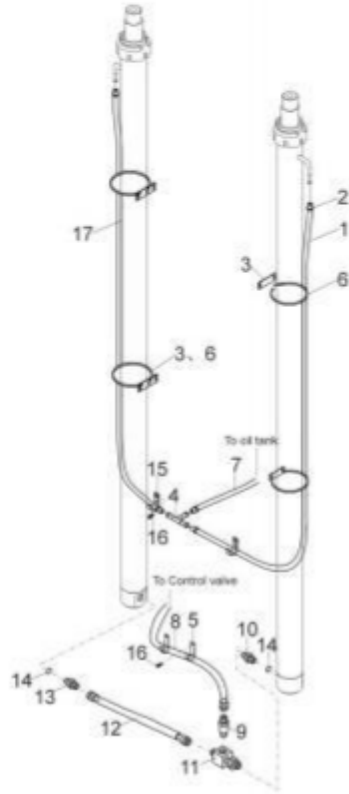
HRD9FL8001 03 3T Lifting system

HRD9FL8001 03 3T 起重系统(M)

序号 No.	零部件代号 Part No.	版本 Edition	名称 Part name		数量 Q'ty	备注 Remark
1	HRD9FL8601	11	Mast hydraulic system	门架管路系统 (公制 24° 锥)	1	
2	HRD9FL8001-1	03	Lift bracket & backrest	货叉架及挡货架	1	
3	HRD9FL8001-2	03	Mast	门架	1	
4	HRD9FL8401	02	Rear lift cylinder mounting	后起升油缸安装图	1	

HRD9FL8601 11 Mast hydraulic system

HRD9FL8601 11 门架管路系统 (公制 24. 锥)



门架管路系统选用件
Selection of Portal Piping System

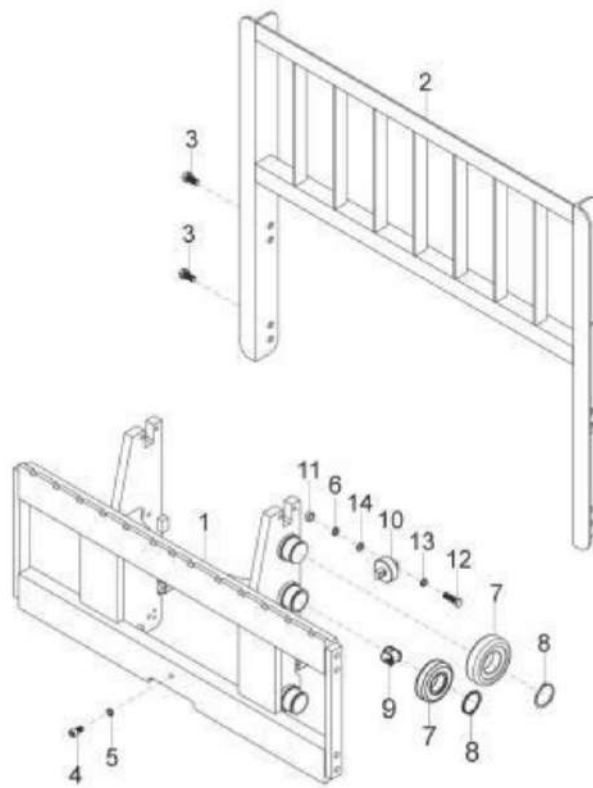
起升高度 Lifting Height	序号01塑料回油管 Serial number 01, plastic tubing		序号17塑料回油管 Serial number 17, plastic tubing	
	2t, 3.5t, 3.8t	3t	2t, 3.5t, 3.8t	3t
M200	Z7400-12130	Z7400-12125	Z7400-12065	Z7400-12060
225	Z7400-12145	Z7400-12140	Z7400-12075	Z7400-12070
250	Z7400-12155	Z7400-12150	Z7400-12090	Z7400-12085
270	Z7400-12165	Z7400-12160	Z7400-12100	Z7400-12095
300	Z7400-12180	Z7400-12175	Z7400-12115	Z7400-12110
330	Z7400-12195	Z7400-12190	Z7400-12130	Z7400-12125
350	Z7400-12205	Z7400-12200	Z7400-12140	Z7400-12135
370	Z7400-12215	Z7400-12210	Z7400-12150	Z7400-12145
400	Z7400-12235	Z7400-12230	Z7400-12170	Z7400-12165
425	Z7400-12250	Z7400-12245	Z7400-12185	Z7400-12180
450	Z7400-12260	Z7400-12255	Z7400-12195	Z7400-12190
475	Z7400-12275	Z7400-12270	Z7400-12210	Z7400-12205
500	Z7400-12285	Z7400-12280	Z7400-12220	Z7400-12215
550	Z7400-12315	Z7400-12310	Z7400-12250	Z7400-12245
600	Z7400-12340	Z7400-12335	Z7400-12275	Z7400-12270

HRD9FL8601 1 1 Mast hydraulic system

		HRD9FL8601 11		24			
序号 No.	零部件代号 Part No.	版本 Edition	名称 Part name		数量 Q'ty	备注 Remark	
1	Z7400-12000	00	Hose	塑料管	1	See table	见附表
2	Z4710-00014	00	Elastic hoop	钢带型弹性环箍 Φ 14	5		
3	54235-52701H	00	Band	回油管夹片	4		
4	JT6031-08001	00	Oil return joint	升降缸回油接头	1		
5	D9FL8-62041	03	Pipe clamp	管夹	2		
6	Z9260-80350	00	8 x350 strapping tape	捆扎带 8x350	4		
7	Z7400-12105	00	Plastic hose	塑料回油管 Φ 12x1050	1		
8	Z9702-1610024NL	00	Hose H.P.	高压胶管 16 II x1000	1		
9	D9FL8-60481	03	Flow regulator	限速阀	1	2-2.5T	2-2.5T
9	D9FL8-60901E	03	Flow regulator	限速阀	1	3T	3T
9	D9FL8-60901A	00	Flow regulator	限速阀	1	3.5T	3.5T
10	D9FL8-62031	01	Straight joint	直通接头	1		
11	D9FL8-62021	00	Three way	三通接头	1		
12	Z9702-1304122	00	Hose H.P.	高压胶管 13 II x410	1	3-3.8T	3-3.8T
12	Z9702-1304022	00	Hose H.P.	高压胶管 13 II x400	1	2-2.5T	2-2.5T
13	D9FL8-62011	01	Check valve	升降缸切断阀	1	2-3t	2-3t
13	D9FL8-62051	00	Check valve	切断阀	1	3.5,3.8t	3.5,3.8t
14	Z6006-01782	00	O-ring	O 型密封圈 17.8x2.4	2		
15	D2MD8-70001	00	Clip	管卡总成	2		
16	B0330-06012-X1	00	Combined bolt M6X12	组合螺栓 M6X12	4	GB5783,GB93	GB5783,GB93
17	Z7400-12000	00	Hose	塑料管	1	See table	见附表

HRD9FL8001-1 03 Lift bracket & backrest

HRD9FL8001-1 03 货叉架及挡货架



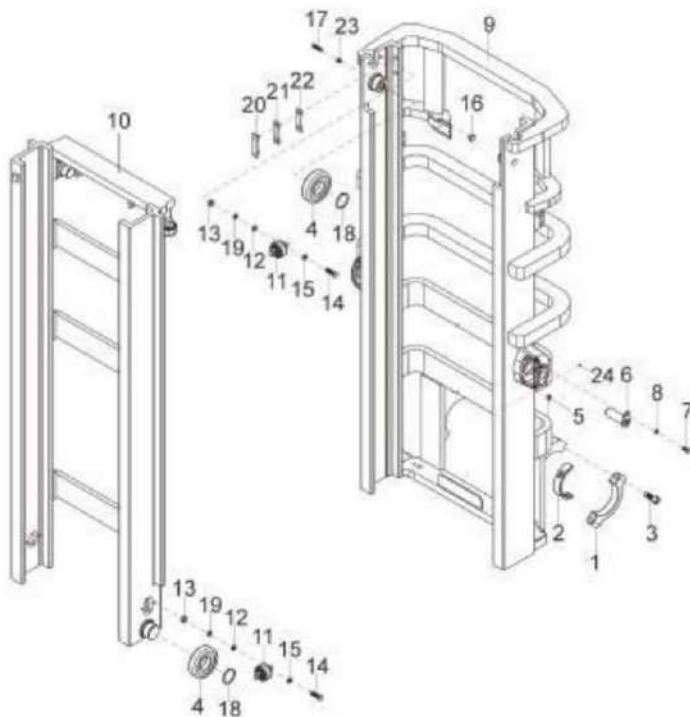
HRD9FL8001-1 03 Lift bracket & backrest

HRD9FL8001-1 03 货叉架及挡货架

序号 No.	零部件代号 Part No.	版本 Edition	名称 Part name		数量 Q'ty	备注 Remark	
1	HRD9FL8201	07	Lift bracket assembly	货叉架总成	1		
1	HRD9FL8201W	01	Lift bracket	货叉架	1	Optional	选配
2	D7W18-20001	02	Backrest	3-3.5t 标准挡货架	1		
2	HRD7W18201W	02	Backrest with non-standard width	3-3.5t 非标宽系列挡货架	1	Optional	选配
2	HRD7W18202H	01	Backrest with non-standard height	3-3.5t 非标高系列挡货架	1	Optional	选配
3	B0330-14030-X1	00	Combined bolt M14x30	组合螺栓 M14x30	6	GB5783,GB93	GB5783,GB93
4	B8030-12020	00	Screw M12x20	螺钉 M12x20	1	GB70-85	GB70-85
5	B5050-00012	00	Washer	垫圈 12	1	GB93-87	GB93-87
6	22548-34061	02	Shim	调整垫圈	8	REF404140	REF404140
7	980811N	03	Roller	滚轮	6		
8	B6150-00055	00	Snap ring	挡圈 55	6	GB894.1-86	GB894.1-86
9	DH2E8-70211	00	Recombination roller	复合滚轮	4		
10	D28R0-92031	01	Side roller	侧滚轮	2		
11	D28R0-92011	02	Spacer	调整垫块	4		
12	B0530-10045	00	Bolt	螺栓 M10x1.25x45	4	GB5786-86	GB5786-86
13	B5050-00010	00	Washer	垫圈 10	4	GB93-87	GB93-87
14	22548-34051	02	Shim	调整垫圈	10	REF404140	REF404140

HRD9FL8001-2 03 Mast

HRD9FL8001-2 03 门架



门架选用件表
MAST OPTIONAL PARTS

起升高度 LIFTING HEIGHT	外门架总成 OUTER MAST	内门架总成 INNER MAST	备注 REMARK
M200	HRD9FL8301 D9FLB-30011-SS	HRD9FL8302 D9FLB-31011-SS	
225	HRD9FL8301 D9FLB-30021-SS	HRD9FL8302 D9FLB-31021-SS	
250	HRD9FL8301 D9FLB-30031-SS	HRD9FL8302 D9FLB-31031-SS	
270	HRD9FL8301 D9FLB-30041-SS	HRD9FL8302 D9FLB-31041-SS	
300	HRD9FL8301 D9FLB-30001-SS	HRD9FL8302 D9FLB-31001-SS	标准STD
330	HRD9FL8301 D9FLB-30051-SS	HRD9FL8302 D9FLB-31051-SS	
350	HRD9FL8301 D9FLB-30061-SS	HRD9FL8302 D9FLB-31061-SS	
370	HRD9FL8301 D9FLB-30071-SS	HRD9FL8302 D9FLB-31071-SS	
400	HRD9FL8301 D9FLB-30081-SS	HRD9FL8302 D9FLB-31081-SS	
425	HRD9FL8301 D9FLB-30091-SS	HRD9FL8302 D9FLB-31091-SS	
450	HRD9FL8301 D9FLB-30101-SS	HRD9FL8302 D9FLB-31101-SS	
475	HRD9FL8301 D9FLB-30111-SS	HRD9FL8302 D9FLB-31111-SS	
500	HRD9FL8301 D9FLB-30121-SS	HRD9FL8302 D9FLB-31121-SS	
550	HRD9FL8301 D9FLB-30131-SS	HRD9FL8302 D9FLB-31131-SS	
600	HRD9FL8301 D9FLB-30141-SS	HRD9FL8302 D9FLB-31141-SS	

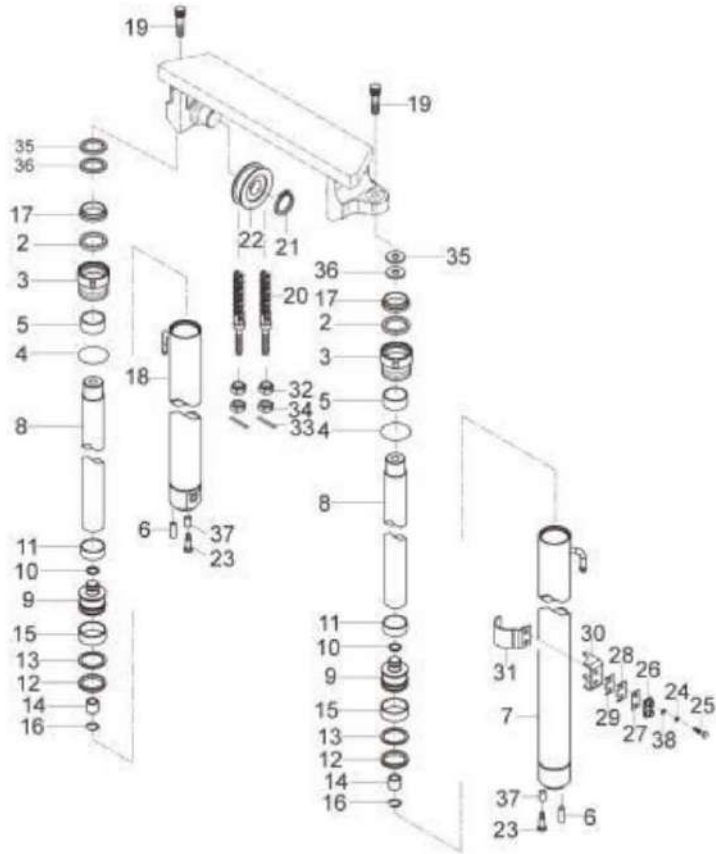
HRD9FL8001-2 03 Mast

HRD9FL8001-2 03 门架

序号 No.	零部件代号 Part No.	版本 Edition	名称 Part name		数量 Q'ty	备注 Remark	
1	22018-30064	02	Mast support cover	门架支座盖	2		
2	D20B8-02001	03	Bushing	轴衬	2		
3	B0430-16070-X1	00	Combined bolt M16x1.5x70	组合螺栓 M16x1.5x70	4	GB5783,GB 93	GB5783,GB 93
4	980811N	03	Roller	滚轮	4		
5	Q700B01M	00	Fitting	直通式滑脂嘴	2	ZBT33001. 1 -88	ZBT33001. 1 -88
6	D7G58-30061	06	Pin axle	倾斜油缸销轴总成	2		
7	B0530-10020	00	Bolt	螺栓 M10x1.25x20	2	GB5786-86	GB5786-86
8	B5050-00010	00	Washer	垫圈 10	2	GB93-87	GB93-87
9	HRD9FL8301	04	Outer mast	外门架总成	1	See table	见附表
10	HRD9FL8302	06	Inner mast	内门架总成	1	See table	见附表
11	23458-32051	02	Side roller	侧滚轮组 II	4		
12	22548-34051	02	Shim	调整垫圈	10	REF404140	REF404140
13	23818-30071A	00	Spacer	垫块	8		
14	B0530-12040	00	Bolt M12x1.25x40	螺栓 M12x1.25x40	8	GB5786-86	GB5786-86
15	B5050-00012	00	Washer	垫圈 12	8	GB93-87	GB93-87
16	DD938-62001	00	Stop shift	限位轴	2		
17	DD938-62011	00	Screw	螺钉	2	GB79-85	GB79-85
18	B6150-00055	00	Snap ring	挡圈 55	4	GB894.1-86	GB894.1-86
19	22548-34061	02	Shim	调整垫圈	8	REF404140	REF404140
20	D15X8-60501	02	Slipper	限位滑块	2	HRD15X860 1	HRD15X860 1
21	20029-43231- 1	00	Shim 0.5	调整垫片 0.5	2	20029-4323 1	20029-4323 1
22	20029-43231-2	00	Shim 1.0	调整垫片 1.0	2	20029-4323 1	20029-4323 1
23	B4123-00010	00	Nut	螺母 M10	2	GB6170-86	GB6170-86
24	DGLN8-70108	00	Plug	内螺纹橡胶堵头	4		

HRD9FL8401 02 Rear lift cylinder mounting

HRD9FL8401 02 后起升油缸安装图



起升油缸安装选用件 LIFT CYLINDER MOUNTING OPTION TABLE					
起升高度 LIFTING HEIGHT	起升油缸 (左) LIFT CYLINDER (LEFT)	起升油缸 (右) LIFT CYLINDER (RIGHT)	链条总成 CHAIN ASS'Y	调整垫 SPACER	备注 REMARK
200	D2M08-40311	D2M08-40161	HRLH1623011-05		
225	D2M08-42251L	D2M08-42251R	HRLH1623011-01		
250	D2M08-40321	D2M08-40171	HRLH1623011-05		
270	D2M08-40331	D2M08-40181	HRLH1623011-09		
300	D2M08-40341	D2M08-40191	HRLH1623011-20		标准 214
330	D2M08-40351	D2M08-40201	HRLH1623011-81		
350	D2M08-40361	D2M08-40211	HRLH1623011-05		
370	D2M08-40371	D2M08-40221	HRLH1623011-09		
400	D2M08-40381	D2M08-40231	HRLH1623011-97	50	
425	D2M08-40391	D2M08-40241	HRLH1623011-103	50	
450	D2M08-40401	D2M08-40251	HRLH1623011-107	50	
475	D2M08-40411	D2M08-40261	HRLH1623011-111	50	
500	D2M08-40421	D2M08-40271	HRLH1623011-117	50	
550	D2M08-40431	D2M08-40281	HRLH1623011-129	100	
600	D2M08-40441	D2M08-40291	HRLH1623011-139	100	

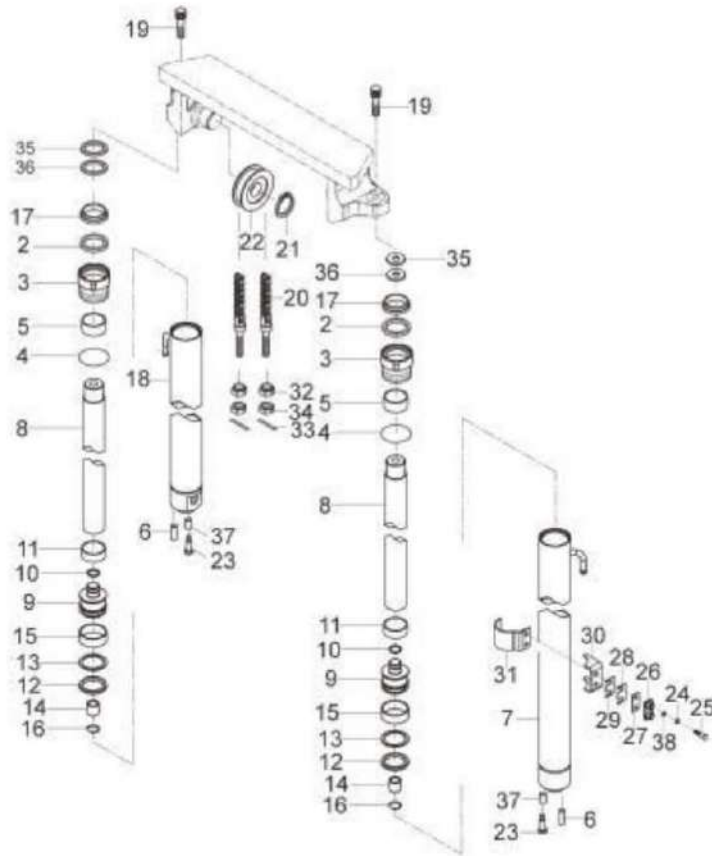
HRD9FL8401 02 Rear lift cylinder mounting

HRD9FL8401 02 后起升油缸安装图

序号 No.	零部件代号 Part No.	版本 Edition	名称 Part name		数量 Q'ty	备注 Remark	
1	HRD2MD8402	03	Lift cylinder	起升油缸	2	Include 2-18,see table	包含 2-18,见 附表
2	CF2130450	00	U-ring	轴用密封圈 45x55x6	2		
3	GCQ056YJ-01	00	Guide sleeve	导向套	2		
4	Q055HST-52001	00	O-ring 55.6x2.4	O 型密封圈 55.6x2.4	2		
5	Z2113-04530	00	Bushing	钢背轴承	2		
6	B3130-10026	00	Pin	销 B10x26	2		
7	HRD2MD8402. 1-0 0L	00	Cylinder body L.H	左缸体	1		
8	HRD2MD8402-01	00	Piston rod	活塞杆	2		
9	HRD2MD8402-02	00	Piston	活塞	2		
10	D20B8-42381	00	Snap ring	钢丝挡圈	2		
11	D28A8-43131	00	Spacer	调整套	2	See table	见附表
12	24468-42001	00	U-ring	U 型圈	2		
13	24459-42291	00	Catch	挡片	2		
14	GCQ055DL4-07	00	Sleeve	套	2		
15	27978-42421	00	Wearing	支承环	2		
16	GCQ055DL4-08	00	Snap ring	钢丝挡圈	2		
17	24459-42271	00	Dust ring	防尘圈 45x57x7/10	2		
18	HRD2MD8402. 1-0 0R	00	Cylinder body R.H	右缸体	1		
19	B0530-16040-X1	00	Combined bolt M16x1.5x40	组合螺栓 M16x1.5x40	2	GB5786,GB 93	GB5786,GB 93
20	HRLH1623011-N	03	Chain	链条	2	Include 32-33,see table	包含 32-34, 见附表
21	B6150-00045	00	Snap ring 45	挡圈 45	2	GB894.1-86	GB894.1-86
22	D9FL8-42001	01	Sheave	链轮	2	See table	见附表
23	B0530-12025	00	Bolt M12x1.25x25	螺栓 M12x1.25x25	2	GB5786-86	GB5786-86
24	B5050-00010	00	Washer	垫圈 10	4	GB93-87	GB93-87
25	B0230-10045	00	Bolt	螺栓 M10x45	4	GB5782-86	GB5782-86
26	DE778-42031	00	Cushion	减震块	2		
27	DE778-42071	00	Plate	垫板	4		
28	DE778-42051	00	Shim	调整垫片	2		
29	DE778-42061	00	Shim	调整垫片	2		
30	DS3Z8-42021	01	Lock plate	卡板	2		

HRD9FL8401 02 Rear lift cylinder mounting

HRD9FL8401 02 后起升油缸安装图

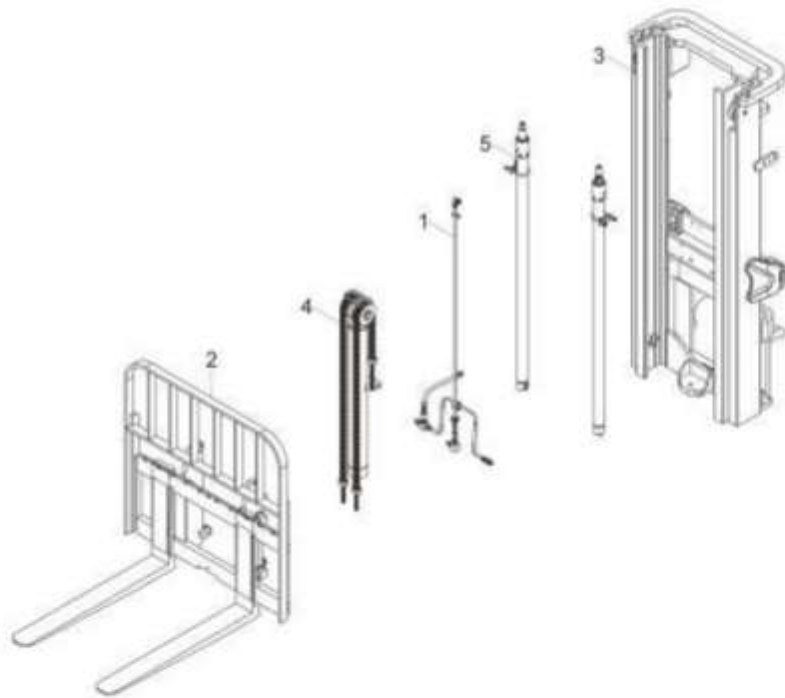


起升油缸安装选项件
LIFT CYLINDER MOUNTING OPTION TABLE

起升高度 LIFTING HEIGHT	起升油缸 (左) LIFT CYLINDER (LEFT)	起升油缸 (右) LIFT CYLINDER (RIGHT)	销轴总成 SHAFT ASS'Y	调整量 SPACER	备注 REMARK
200	D0MD0-4021L	D0MD0-4016R	HRLH1623011-05		
225	D0MD0-42251L	D0MD0-42251R	HRLH1623011-01		
250	D0MD0-4032L	D0MD0-4017R	HRLH1623011-05		
270	D0MD0-4033L	D0MD0-4018R	HRLH1623011-09		
300	D0MD0-4034L	D0MD0-4019R	HRLH1623011-05		标准 std
330	D0MD0-4035L	D0MD0-4020R	HRLH1623011-01		
350	D0MD0-4036L	D0MD0-4021R	HRLH1623011-05		
370	D0MD0-4037L	D0MD0-4022R	HRLH1623011-09		
400	D0MD0-4038L	D0MD0-4023R	HRLH1623011-09	50	
425	D0MD0-4039L	D0MD0-4024R	HRLH1623011-103	50	
450	D0MD0-4040L	D0MD0-4025R	HRLH1623011-107	50	
475	D0MD0-4041L	D0MD0-4026R	HRLH1623011-111	50	
500	D0MD0-4042L	D0MD0-4027R	HRLH1623011-117	50	
550	D0MD0-4043L	D0MD0-4028R	HRLH1623011-129	100	
600	D0MD0-4044L	D0MD0-4029R	HRLH1623011-139	100	

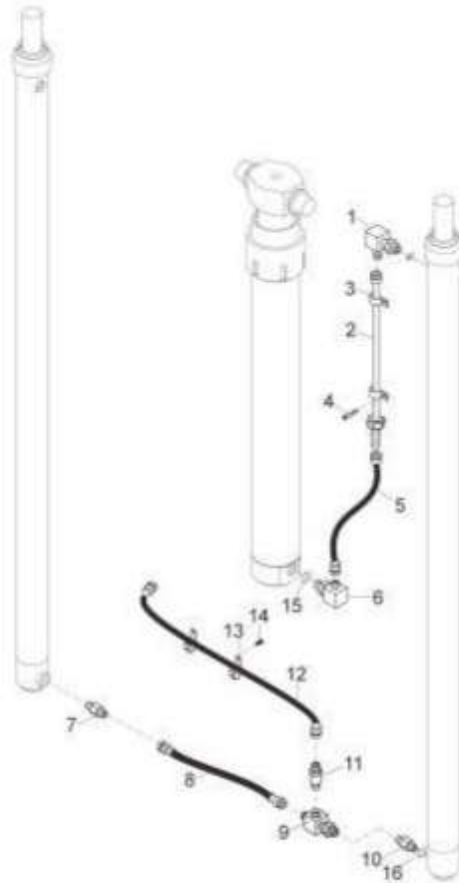
HRDK3H8001 03 3T Lifting system

HRDK3H8001 03 3T 起重系统(ZM)



HRDK3H8601 07 Mast hydraulic system

HRDK3H8601 07 门架管路系统(24. 锥)



门架管路系统选用件 MAST HYDRAULIC SYSTEM OPTION TABLE		
起升高度 LIFTING HEIGHT	序号/钢管总成 ITEM NO./STEEL PIPE ASS'Y	备注 REMARK
2000	DK3H-61011	
250	DK3H-61021	
270	DK3H-61031	
300	DK3H-61041	
320	DK3H-61051	
350	DK3H-61061	
370	DK3H-61071	
400	DK3H-61081	
425	DK3H-61091	
450	DK3H-61101	
475	DK3H-61111	
500	DK3H-61121	
550	DK3H-61131	
600	DK3H-61141	

HRDK3H8601 07 Mast hydraulic system

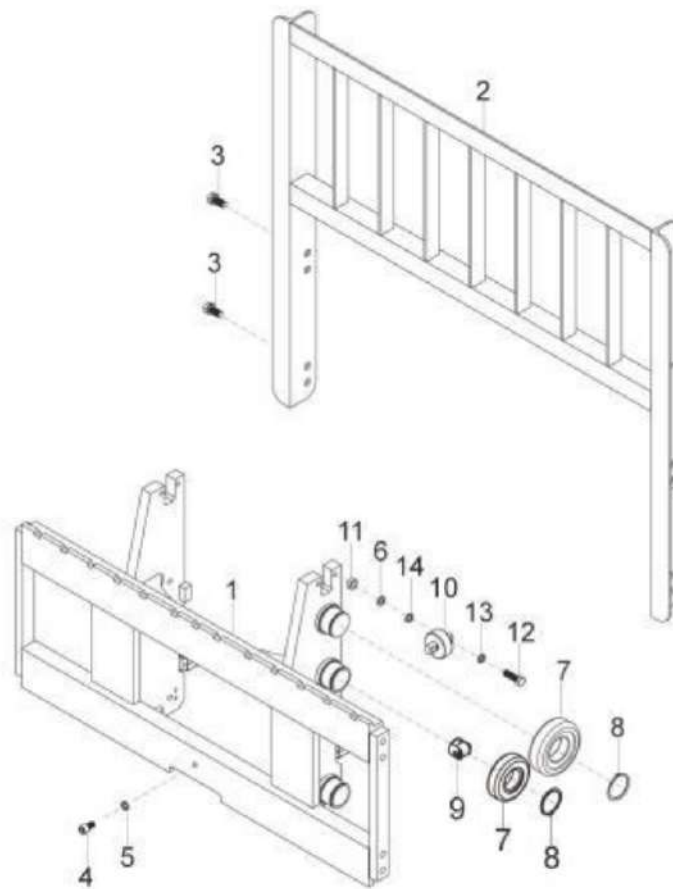
HRDK3H8601 07

(24)

序号 No.	零部件代号 Part No.	版本 Edition	名称 Part name		数量 Q'ty	备注 Remark	
1	JT6021-26011LOR	00	Straight joint	直通接头	1		
2	HRDK3H8611	00	Steel pipe	钢管总成	1	See table	见附表
3	DA2G8-60101	01	Lock plate	卡板	1		
4	B0330-08020-X	00	Combined bolt	组合螺栓 M8x20	1	GB/T9074.1 7-88	GB/T9074.1 7-88
5	Z9702-1604524X1 0	00	Hose H.P.	高压胶管	1	Lifting height ≥ 3000	起升高度 ≥ 3000 时用
5	Z9702-1604024X1 0	00	Hose H.P.	高压胶管	1	3000> Lifting height ≥2000	3000>起升 高度 ≥ 2000 时用
6	DG9N8-32351	01	Straight joint	直通接头	1	Include 15	包含 15
7	D9FL8-62011	01	Check valve	升降缸切断阀	1		
8	Z9702-1304122	00	Hose H.P.	高压胶管 13 II x410	1	3-3.8t	3-3.8t
8	Z9702-1303622	00	Hose	高压胶管 13 II x360	1	2-2.5t	2-2.5t
9	D9FL8-62021	00	Three way	三通接头	1		
10	D9FL8-62031	01	Straight joint	直通接头	1	3-3.8t, Include 16	3-3.8t,包含 16
10	D9FL8-62091	00	Straight joint	直通接头	1	2-2.5t	2-2.5t
11	D9FL8-60901E	03	Flow regulator	限速阀	1	3-3.5t	3-3.5t
11	D9FL8-60481	03	Flow regulator	限速阀	1	2-2.5t	2-2.5t
12	Z9702-1609524NL	00	Hose H.P.	高压胶管 16 II ×950	1		
13	D9FL8-62041	03	Pipe clamp	管夹	2		
14	B0330-06012-X1	00	Combined bolt M6X12	组合螺栓 M6X12	2	GB/T9074.1 7-88	GB/T9074.1 7-88
15	Z6006-02373	00	O-ring	O 型密封圈 23.7x3.5	1	JIS B2401	JIS B2401
16	Z6006-01782	00	O-ring	O 型密封圈 17.8x2.4	1	JIS B2401	JIS B2401

HRDK3H8001-1 03 Lift bracket & backrest

HRDK3H8001-1 03 货叉架及挡货架



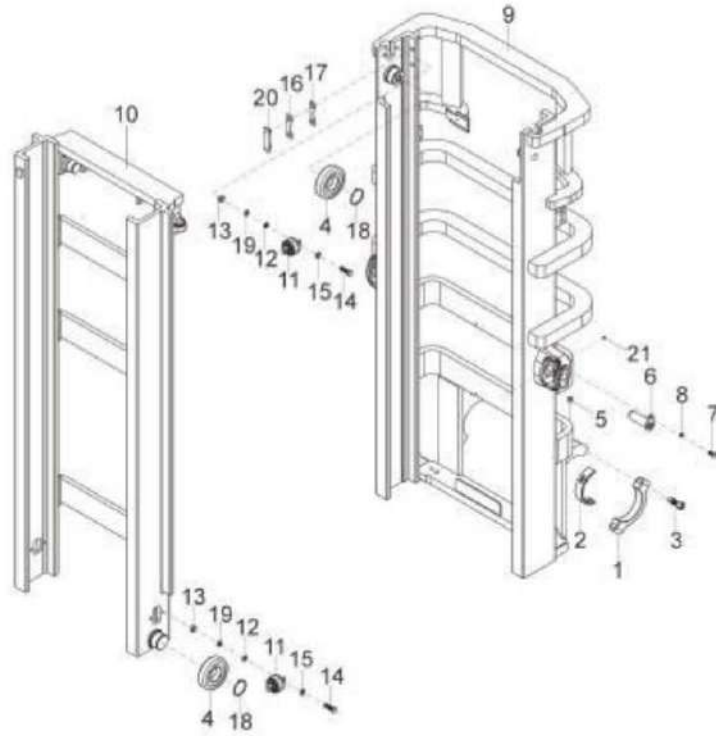
HRDK3H8001-1 03 Lift bracket & backrest

HRDK3H8001-1 03 货叉架及挡货架

序号 No.	零部件代号 Part No.	版本 Edition	名称 Part name		数量 Q'ty	备注 Remark	
1	HRDK3H8201	05	Lift bracket assembly	货叉架总成	1		
1	HRDK3H8201W	01	Widen lift bracket	加宽系列货叉架	1	Option	选用
2	D7W18-20001	02	Backrest	3-3.5t 标准挡货架	1		
2	HRD7W18201W	02	Backrest with non-standard width	3-3.5t 非标宽系列挡货架	1	Option	选用
2	HRD7W18202H	01	Backrest with non-standard height	3-3.5t 非标高系列挡货架	1	Option	选用
3	B0330-14030-X1	00	Combined bolt M14x30	组合螺栓 M14x30	6	GB5783,GB93	GB5783,GB93
4	B8030-12020	00	Screw M12x20	螺钉 M12x20	1	GB70-85	GB70-85
5	B5050-00012	00	Washer	垫圈 12	1	GB93-87	GB93-87
6	22548-34061	02	Shim	调整垫圈	8	REF404140	REF404140
7	980811N	03	Roller	滚轮	6		
8	B6150-00055	00	Snap ring	挡圈 55	6	GB894.1-86	GB894.1-86
9	DH2E8-70211	00	Recombination roller	复合滚轮	4		
10	D28R0-92031	01	Side roller	侧滚轮	2		
11	D28R0-92011	02	Spacer	调整垫块	4		
12	B0530-10045	00	Bolt	螺栓 M10x1.25x45	4	GB5786-86	GB5786-86
13	B5050-00010	00	Washer	垫圈 10	4	GB93-87	GB93-87
14	22548-34051	02	Shim	调整垫圈	10	REF404140	REF404140

HRDK3H8001-2 03 Mast

HRDK3H8001-2 03 门架



门架选用件
MAST OPTION TABLE

起升高度 LIFTING HEIGHT	外门架总成 OUTER MAST	内门架总成 INNER MAST	备注 REMARK
ZM200	HRDK3H8301 DK3HB-30011	HRDK3H8302 DK3HB-30211	
225	HRDK3H8301 DK3HB-30021	HRDK3H8302 DK3HB-30221	
250	HRDK3H8301 DK3HB-30031	HRDK3H8302 DK3HB-30231	
270	HRDK3H8301 DK3HB-30041	HRDK3H8302 DK3HB-30241	
300	HRDK3H8301 DK3HB-30001	HRDK3H8302 DK3HB-30201	标准 std
330	HRDK3H8301 DK3HB-30051	HRDK3H8302 DK3HB-30251	
350	HRDK3H8301 DK3HB-30061	HRDK3H8302 DK3HB-30261	
370	HRDK3H8301 DK3HB-30071	HRDK3H8302 DK3HB-30271	
400	HRDK3H8301 DK3HB-30081	HRDK3H8302 DK3HB-30281	
425	HRDK3H8301 DK3HB-30091	HRDK3H8302 DK3HB-30291	
450	HRDK3H8301 DK3HB-30101	HRDK3H8302 DK3HB-30301	
475	HRDK3H8301 DK3HB-30111	HRDK3H8302 DK3HB-30311	
500	HRDK3H8301 DK3HB-30121	HRDK3H8302 DK3HB-30321	
550	HRDK3H8301 DK3HB-30131	HRDK3H8302 DK3HB-30331	
600	HRDK3H8301 DK3HB-30141	HRDK3H8302 DK3HB-30341	

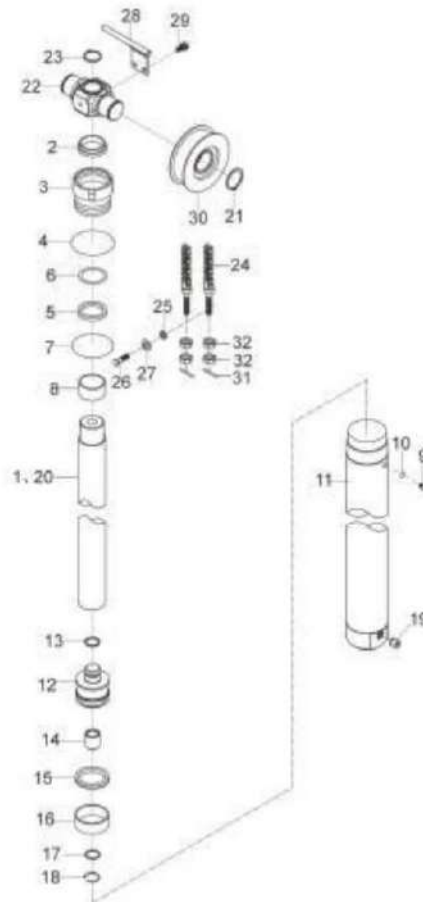
HRDK3H8001-2 03 Mast

HRDK3H8001-2 03 门架

序号 No.	零部件代号 Part No.	版本 Edition	名称 Part name		数量 Q'ty	备注 Remark	
1	22018-30064	02	Mast support cover	门架支座盖	2		
2	D20B8-02001	03	Bushing	轴衬	2		
3	B0430-16070-X1	00	Combined bolt M16x1.5x70	组合螺栓 M16x1.5x70	4	GB5783,GB 93	GB5783,GB 93
4	980811N	03	Roller	滚轮	4		
5	Q700B01M	00	Fitting	直通式滑脂嘴	2	ZBT33001.2 -88	ZBT33001.2 -88
6	D7G58-30061	06	Pin axle	倾斜油缸销轴总成	2		
7	B0530-10020	00	Bolt	螺栓 M10x1.25x20	2	GB5786-86	GB5786-86
8	B5050-00010	00	Washer	垫圈 10	2	GB93-87	GB93-87
9	HRDK3H8301	04	Outer mast	外门架总成	1	See table	见附表
10	HRDK3H8302	01	Inner mast	内门架总成	1	See table	见附表
11	23458-32051	02	Side roller	侧滚轮组 II	4		
12	22548-34051	02	Shim	调整垫圈	10	REF404140	REF404140
13	23818-30071A	00	Spacer	垫块	8		
14	B0530-12040	00	Bolt M12x1.25x40	螺栓 M12x1.25x40	8	GB5786-87	GB5786-87
15	B5050-00012	00	Washer	垫圈 12	8	GB93-87	GB93-87
16	20029-43231*1	00	Shim	调整垫圈 δ 0.5	2	20029-4323 1	20029-4323 1
17	20029-43231*2	00	Shim	调整垫圈 δ 1.0	2	20029-4323 1	20029-4323 1
18	B6150-00055	00	Snap ring	挡圈 55	4	GB894.1-86	GB894.1-86
19	22548-34061	02	Shim	调整垫圈	8	REF404140	REF404140
20	D15X8-60501	02	Slipper	限位滑块	2	HRD15X860 1	HRD15X860 1
21	DGLN8-70108	00	Plug	内螺纹橡胶堵头	4		

HRDK3H8401-1 05 Front lift cylinder

HRDK3H8401-1 05 前起升油缸



前起升油缸安装选用件
FRONT LIFT CYLINDER MOUNTING OPTION TABLE

起升高度 LIFTING HEIGHT	前起升油缸 FRONT LIFT CYLINDER	活塞总成 PIN IN ASS-Y	备注 REMARK
200	DK3P-40411	HLH1623011-45	
225	DK3P-40421	HLH1623011-49	
250	DK3P-40431	HLH1623011-53	
270	DK3P-40441	HLH1623011-59	
300	DK3P-40401	HLH1623011-61	标准 std
330	DK3P-40481	HLH1623011-67	
350	DK3P-40491	HLH1623011-71	
370	DK3P-40501	HLH1623011-75	
400	DK3P-40511	HLH1623011-81	
425	DK3P-40521	HLH1623011-89	
450	DK3P-40541	HLH1623011-93	
475	DK3P-40551	HLH1623011-99	
500	DK3P-40561	HLH1623011-103	
550	DK3P-40581	HLH1623011-115	
600	DK3P-40591	HLH1623011-125	

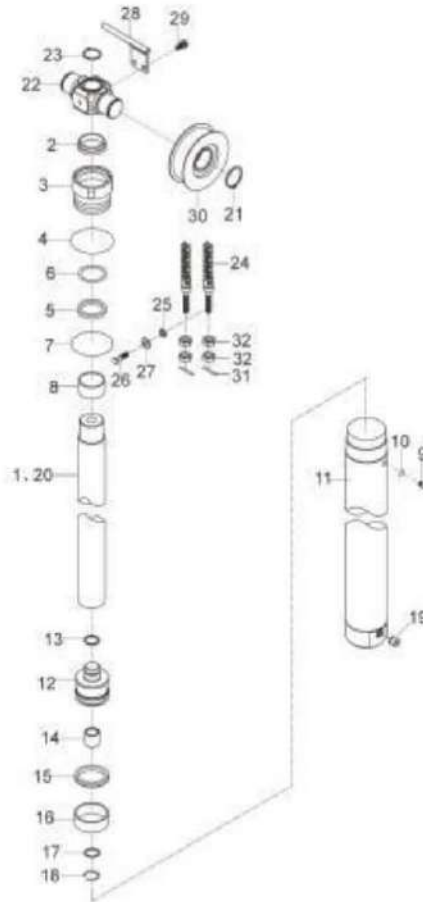
HRDK3H8401-1 05 Front lift cylinder

HRDK3H8401-1 05 前起升油缸

序号 No.	零部件代号 Part No.	版本 Edition	名称 Part name		数量 Q'ty	备注 Remark	
1	HRDK3P8421A	02	Front lift cylinder	前起升油缸	1	See table, include 2-20	见附表,包含 2-20
2	AR3381G5	00	Dust ring 65x79x8/11	防尘圈 65x79x8/11	1		
3	GCQ085DL3-02	00	Guide sleeve	导向套	1		
4	AG0090	00	O-ring 90x3. 1	O 形密封圈 90x3. 1	1	GB1235-76	GB1235-76
5	FU0810F0	00	Seal ring	轴用密封圈 65x75x8	1		
6	GCQ075JND-06	00	Catch 75x65x3	挡片 75x65x3	1		
7	Z6053-07753	00	O-ring 77.5*3.55G	O 形密封圈 77.5*3.55G	1		
8	Z2114-06535	00	Bushing	钢背轴承	1		
9	B8032-05006	00	Screw M5X6	螺钉 M5X6	1	GB/T70-198 5	GB/T70-198 5
10	Q70B0-82141	01	Washer	垫片	1		
11	DK3P8421A. 1-00	00	Cylinder body	缸体	1		
12	HRD26Z0516A	00	Piston assembly	活塞总成	1		
13	GCQ085HST-05	00	Snap ring	钢丝挡圈	1		
14	D0W00.2-00	00	Valve assembly	阀总成	1		
15	PT03B0850-T46N	00	Combination seal ring	T 型组合密封圈 85x70x7.3	1		
16	22518-45141	00	Wearing 85x80x20	支撑环 85x80x20	1		
17	GCQ075BX-05	00	Catch	挡片	1		
18	B6052-00022	00	Snap ring 22	挡圈 22	1		
19	QDFB2-130	00	Valve	安全阀	1		
20	DK3P8421-01	00	Piston rod	活塞杆	1		
21	B6150-00040	00	Snap ring	挡圈 40	2	GB894.1-86	GB894.1-86
22	DK3P8-42191	01	Cylinder head sprocket seat	缸头链轮座	1		
23	B6150-00032	00	Snap ring 32	挡圈 32	1	GB894.1-86	GB894.1-86
24	HRLH1623011-N	03	Chain	链条	2	Include 31-32	包含 31-32
25	B5050-00014	00	Washer	垫圈 14	2	GB97.1-85	GB97.1-85
26	B0530-14050	00	Bolt M14x1.5x50	螺栓 M14x1.5x50	2	GB5786-86	GB5786-86
27	B5310-00014	00	Washer	垫圈 14	2	GB93-87	GB93-87
28	DK3J8-41031	00	Stopper, chain	护链板	1	Without hoses & pulley block	不装胶管滑轮组
29	B0330-08020-X	00	Combined bolt	组合螺栓 M8x20	2	GB5783, GB 93-87	GB5783, GB 93-87
30	DK3H8-42011	01	Sheave	链轮	2		

HRDK3H8401-1 05 Front lift cylinder

HRDK3H8401-1 05 前起升油缸



前起升油缸安装选用件 FRONT LIFT CYLINDER MOUNTING OPTION TABLE			
起升高度 LIFTING HEIGHT	前起升油缸 FRONT LIFT CYLINDER	活塞总成 DRAIN ASS'Y	备注 REMARK
200	DK3P-40411	HLH1623011-45	
225	DK3P-40421	HLH1623011-49	
250	DK3P-40431	HLH1623011-53	
270	DK3P-40441	HLH1623011-55	
300	DK3P-40451	HLH1623011-61	标准 size
330	DK3P-40461	HLH1623011-67	
360	DK3P-40471	HLH1623011-71	
370	DK3P-40501	HLH1623011-75	
400	DK3P-40511	HLH1623011-83	
425	DK3P-40521	HLH1623011-88	
450	DK3P-40541	HLH1623011-93	
475	DK3P-40551	HLH1623011-99	
500	DK3P-40561	HLH1623011-103	
550	DK3P-40581	HLH1623011-115	
600	DK3P-40591	HLH1623011-125	

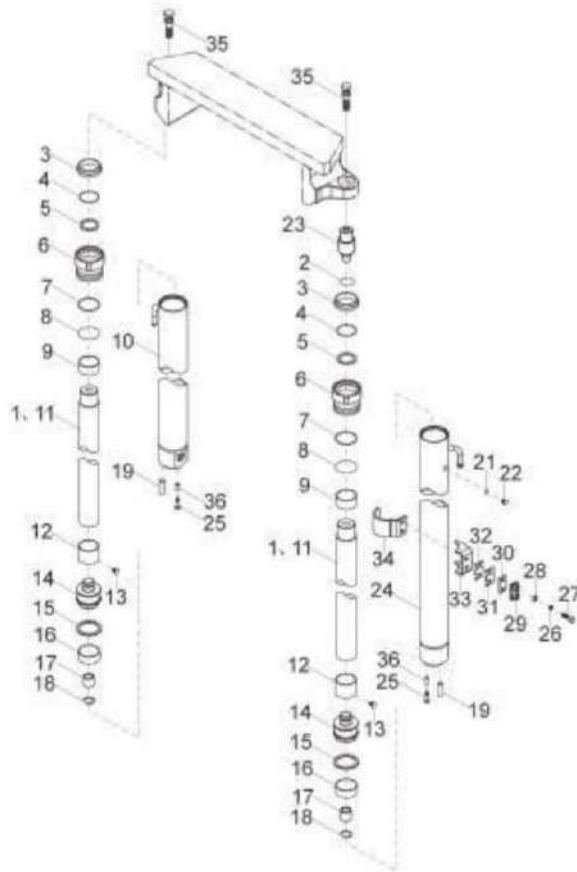
HRDK3H8401-1 05 Front lift cylinder

HRDK3H8401-1 05 前起升油缸

序号 No.	零部件代号 Part No.	版本 Edition	名称 Part name		数量 Q'ty	备注 Remark	
31	B3010-3P230	00	Pin	开口销 3.2x30	4	GB91-86	GB91-86
32	B4230-00016	00	Nut	螺母 M16x1.5	8	GB6171-86	GB6171-86

HRDK3H8401-2 05 Rear lift cylinder

HRDK3H8401-2 05 后起升油缸



后起升油缸安装选用件 REAR LIFT CYLINDER MOUNTING OPTION TABLE				
起升高度 LIFTING HEIGHT	后起升油缸左 REAR LIFT CYLINDER L. H.	后起升油缸右 REAR LIFT CYLINDER R. H.	衬套长度 SLEEVE LENGTH H	备注 REMARK
2000	DK3H-4021L	DK3H-4021R	50	
225	DK3H-4022L	DK3H-4022R	50	
250	DK3H-4023L	DK3H-4023R	50	
270	DK3H-4024L	DK3H-4024R	50	
300	DK3H-4020L	DK3H-4020R	50	标准 标配
330	DK3H-4025L	DK3H-4025R	50	
350	DK3H-4026L	DK3H-4026R	50	
370	DK3H-4027L	DK3H-4027R	50	
400	DK3H-4028L	DK3H-4028R	150	
420	DK3H-4029L	DK3H-4029R	150	
450	DK3H-4030L	DK3H-4030R	150	
475	DK3H-4031L	DK3H-4031R	150	
500	DK3H-4032L	DK3H-4032R	150	
550	DK3H-4033L	DK3H-4033R	250	
600	DK3H-4034L	DK3H-4034R	250	

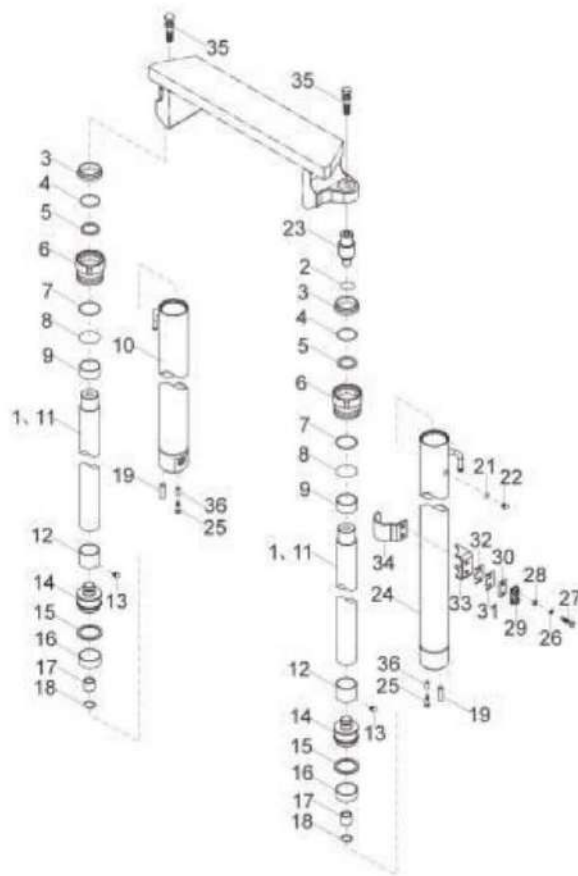
HRDK3H8401-2 05 Rear lift cylinder

HRDK3H8401-2 05 后起升油缸

序号 No.	零部件代号 Part No.	版本 Edition	名称 Part name		数量 Q'ty	备注 Remark	
1	HRDK3H8411	01	Rear lift cylinder	后起升油缸	2	See table,include 1-24	见附表,包含 1-24
2	C06065	00	O-ring 23.46x2.65	O 型密封圈 23.46x2.65	1	GB3452.1-8 2	GB3452.1-8 2
3	23650-83581	00	Dust ring	防尘圈	2		
4	23650-83531	00	Catch 50x40x3	挡片 50x40x3	2		
5	23918-52161	00	U-ring	U 型圈	2		
6	GCQ050XS-01	00	Guide sleeve	导向套	2		
7	GCQ045DL2-03	00	Catch 55x50x1.5	挡片 55x50x1.5	2		
8	Z6003-06003	00	O-ring 60x3. 1	O 型密封圈 60x3.1	2	GB3452.1-8 2	GB3452.1-8 2
9	Z2113-04030	00	Bushing 4030	钢背轴承 4030	2		
10	DK3H8411. 1-00R	00	Cylinder body R.H	右缸体	1		
11	DK3H8411-01R	00	Piston rod R.H.	右柱塞杆	1		
12	DK2K8-42041	00	Spacer	调整套	2	See table	见附表
13	B1832-04006	00	Screw	内六角锥端紧定螺钉 M4x6	4	GB/T78-200 0	GB/T78-200 0
14	DK3H8411-02	00	Piston	活塞	2		
15	P2M0500X-741N	00	Glyd ring	T54 型格莱圈 50x39x4.2	2		
16	27970-53141	00	Wearing	孔用支撑环 50x45x20	2		
17	DH3K8-42061A	00	Sleeve	套	2		
18	GCQ055DL4-08	00	Snap ring	钢丝挡圈	2		
19	B3130-10026	00	Pin	销 B10x26	2		
20	DK3H8411-01L	00	Piston rod L.H.	左柱塞杆	1		
21	Z6700-005	00	Washer	组合垫圈 5	2	JB/T982-77	JB/T982-77
22	B8032-05005	00	Screw	螺钉 M5x5	2	GB/T70- 198 5	GB/T70- 198 5
23	DK2H8411-01	00	Joint	连接杆	1		
24	DK3H8411. 1-00L	00	Cylinder body L.H	左缸体	2		
25	B0530-12025	00	Bolt M12x1.25x25	螺栓 M12x1.25x25	2	GB5786-86	GB5786-86
26	B5050-00010	00	Washer	垫圈 10	4	GB93-87	GB93-87
27	B0230-10045	00	Bolt	螺栓 M10x45	4	GB5782-86	GB5782-86
28	B5310-00010	00	Washer	垫圈 10	4	GB97.1-85	GB97.1-85
29	DE778-42031	00	Cushion	减震块	2		
30	DE778-42071	00	Plate	垫板	4		
31	DE778-42051	00	Shim	调整垫片	2		

HRDK3H8401-2 05 Rear lift cylinder

HRDK3H8401-2 05 后起升油缸



后起升油缸安装选用件 REAR LIFT CYLINDER MOUNTING OPTION TABLE				
起升高度 LIFTING HEIGHT	后起升油缸左 REAR LIFT CYLINDER L. H.	后起升油缸右 REAR LIFT CYLINDER R. H.	调整套长度 SLEEVE LENGTH H	备注 REMARK
2000	DK3H-4021L	DK3H-4021H	50	
225	DK3H-4022L	DK3H-4022H	50	
250	DK3H-4023L	DK3H-4023H	50	
270	DK3H-4024L	DK3H-4024H	50	
300	DK3H-4020L	DK3H-4020H	50	标准 402
330	DK3H-4025L	DK3H-4025H	50	
350	DK3H-4026L	DK3H-4026H	50	
370	DK3H-4027L	DK3H-4027H	50	
400	DK3H-4028L	DK3H-4028H	150	
425	DK3H-4029L	DK3H-4029H	150	
450	DK3H-4030L	DK3H-4030H	150	
475	DK3H-4031L	DK3H-4031H	150	
500	DK3H-4032L	DK3H-4032H	150	
500	DK3H-4033L	DK3H-4033H	250	
600	DK3H-4034L	DK3H-4034H	250	

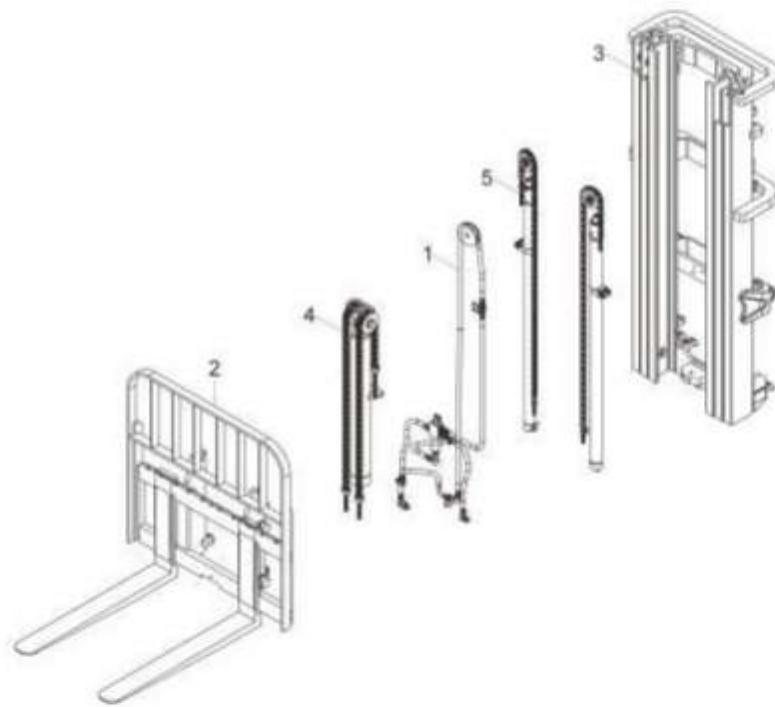
HRDK3H8401-2 05 Rear lift cylinder

HRDK3H8401-2 05 后起升油缸

序号 No.	零部件代号 Part No.	版本 Edition	名称 Part name		数量 Q'ty	备注 Remark	
32	DE778-42061	00	Shim	调整垫片	2		
33	DE778-42021	00	Lock plate	卡板	2		
34	DE778-40211	00	Plate assembly	卡板总成	2		
35	B0530-16035-X	00	Combined bolt M16x1 5x35	组合螺栓 M16x1.5x35	2	GB5786,GB 93	GB5786,GB 93
36	D20B8-42031	01	Spacer	隔套	2		

HRDK3P8001 06 3T Lifting system

HRDK3P8001 06 3T 起重系统 (ZSM)



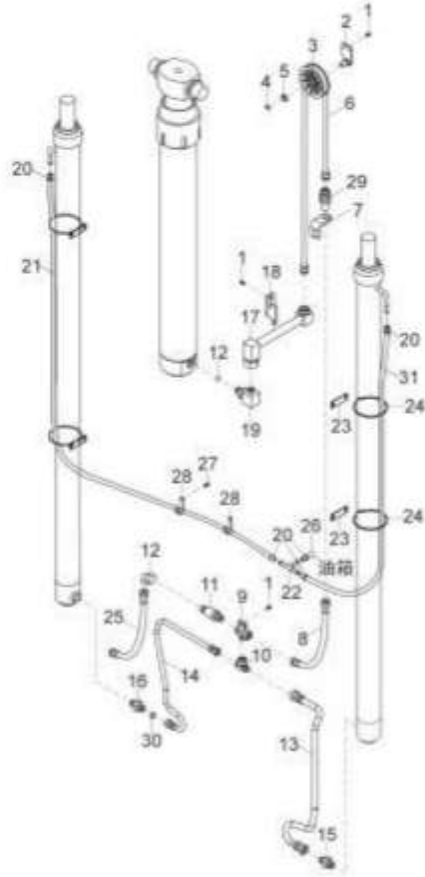
HRDK3P8001 06 3T Lifting system

HRDK3P8001 06 3T 起重系统 (ZSM)

序号 No.	零部件代号 Part No.	版本 Edition	名称 Part name		数量 Q'ty	备注 Remark
1	HRDK3P8601	10	Mast hydraulic system	门架管路系统 (24° 锥)	1	
2	HRDK3P8001-1	07	Lift bracket & backrest	货叉架及挡货架	1	
3	HRDK3P8001-2	07	Mast	门架	1	
4	HRDK3P8401-1	15	Front lift cylinder mounting	前起升油缸安装图	1	
5	HRDK3P8401-2	15	Rear lift cylinder mounting	后起升油缸安装图	1	

HRDK3P8601 08 Mast hydraulic system

HRDK3P8601 08 门架管路系统 (24. 锥)



门架管路系统选项表 (3-2.5K)
MAST HYDRAULIC SYSTEM OPTION TABLE (3-2.5K)

总长度 (L170 英尺)	中间长度 (170 英尺)	中间长度 (170 英尺)	备注
1000	100	100	
400	100	100	
100	100	100	
100	100	100	标准
100	200	100	
100	300	100	
100	400	100	
100	500	100	
100	600	100	
100	700	100	
100	800	100	
100	900	100	
100	1000	100	
100	1100	100	
100	1200	100	
100	1300	100	
100	1400	100	
100	1500	100	
100	1600	100	
100	1700	100	
100	1800	100	
100	1900	100	
100	2000	100	
100	2100	100	
100	2200	100	
100	2300	100	
100	2400	100	
100	2500	100	
100	2600	100	
100	2700	100	
100	2800	100	
100	2900	100	
100	3000	100	
100	3100	100	
100	3200	100	
100	3300	100	
100	3400	100	
100	3500	100	
100	3600	100	
100	3700	100	
100	3800	100	
100	3900	100	
100	4000	100	
100	4100	100	
100	4200	100	
100	4300	100	
100	4400	100	
100	4500	100	
100	4600	100	
100	4700	100	
100	4800	100	
100	4900	100	
100	5000	100	
100	5100	100	
100	5200	100	
100	5300	100	
100	5400	100	
100	5500	100	
100	5600	100	
100	5700	100	
100	5800	100	
100	5900	100	
100	6000	100	
100	6100	100	
100	6200	100	
100	6300	100	
100	6400	100	
100	6500	100	
100	6600	100	
100	6700	100	
100	6800	100	
100	6900	100	
100	7000	100	
100	7100	100	
100	7200	100	
100	7300	100	
100	7400	100	
100	7500	100	
100	7600	100	
100	7700	100	
100	7800	100	
100	7900	100	
100	8000	100	
100	8100	100	
100	8200	100	
100	8300	100	
100	8400	100	
100	8500	100	
100	8600	100	
100	8700	100	
100	8800	100	
100	8900	100	
100	9000	100	
100	9100	100	
100	9200	100	
100	9300	100	
100	9400	100	
100	9500	100	
100	9600	100	
100	9700	100	
100	9800	100	
100	9900	100	
100	10000	100	

门架管路系统选项表 (3-3.5K)
MAST HYDRAULIC SYSTEM OPTION TABLE (3-3.5K)

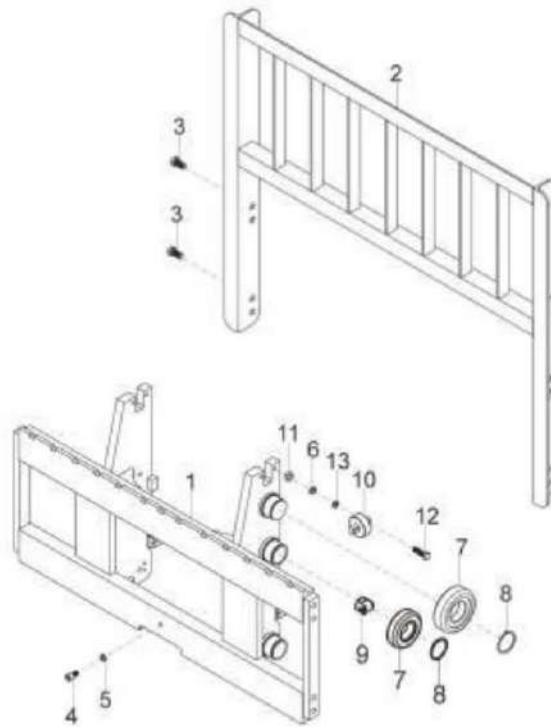
总长度 (L170 英尺)	中间长度 (170 英尺)	中间长度 (170 英尺)	备注
1000	100	100	
400	100	100	
100	100	100	
100	100	100	标准
100	200	100	
100	300	100	
100	400	100	
100	500	100	
100	600	100	
100	700	100	
100	800	100	
100	900	100	
100	1000	100	
100	1100	100	
100	1200	100	
100	1300	100	
100	1400	100	
100	1500	100	
100	1600	100	
100	1700	100	
100	1800	100	
100	1900	100	
100	2000	100	
100	2100	100	
100	2200	100	
100	2300	100	
100	2400	100	
100	2500	100	
100	2600	100	
100	2700	100	
100	2800	100	
100	2900	100	
100	3000	100	
100	3100	100	
100	3200	100	
100	3300	100	
100	3400	100	
100	3500	100	
100	3600	100	
100	3700	100	
100	3800	100	
100	3900	100	
100	4000	100	
100	4100	100	
100	4200	100	
100	4300	100	
100	4400	100	
100	4500	100	
100	4600	100	
100	4700	100	
100	4800	100	
100	4900	100	
100	5000	100	
100	5100	100	
100	5200	100	
100	5300	100	
100	5400	100	
100	5500	100	
100	5600	100	
100	5700	100	
100	5800	100	
100	5900	100	
100	6000	100	
100	6100	100	
100	6200	100	
100	6300	100	
100	6400	100	
100	6500	100	
100	6600	100	
100	6700	100	
100	6800	100	
100	6900	100	
100	7000	100	
100	7100	100	
100	7200	100	
100	7300	100	
100	7400	100	
100	7500	100	
100	7600	100	
100	7700	100	
100	7800	100	
100	7900	100	
100	8000	100	
100	8100	100	
100	8200	100	
100	8300	100	
100	8400	100	
100	8500	100	
100	8600	100	
100	8700	100	
100	8800	100	
100	8900	100	
100	9000	100	
100	9100	100	
100	9200	100	
100	9300	100	
100	9400	100	
100	9500	100	
100	9600	100	
100	9700	100	
100	9800	100	
100	9900	100	
100	10000	100	

HRDK3P8601 08 Mast hydraulic system

HRDK3P8601 08 (24)							
序号 No.	零部件代号 Part No.	版本 Edition	名称 Part name		数量 Q'ty	备注 Remark	
1	B0330-08020-X	00	Combined bolt	组合螺栓 M8x20	9	GB/T9074.1 5-88	GB/T9074.1 5-88
2	DK3P8-61011	00	Pulley bracket	主滑轮支架	1		
3	DK3P8-62031	00	The main pulley	主滑轮	1		
4	B6150-00020	00	Snap ring	挡圈 20	1	GB894.1-86	GB894.1-86
5	DH2V8-62171	00	Washer	垫圈	1		
6	Z9702-1600024	00	Hose H.P.	高压胶管	1	See table	见附表
7	DK3P8-62011	02	Baffle joint support plate -JL	隔板接头支板-JL	1		
8	Z9702-1606024	00	Hose H.P.	高压胶管	1	3.6,4m	3.6,4m
8	Z9702-1607024	00	Hose H.P.	高压胶管	1	≥4.35m	≥4.35m
9	DK3P8-61021	01	Three-way	三通接头总成	1		
10	JT6031-26011LDJ T	00	Three way joint	三通组合接头	1		
11	D9FL8-60481	03	Flow regulator	限速阀	1	2-2.5t	2-2.5t
11	D9FL8-60901E	03	Flow regulator	限速阀	1	3-3.8t	3-3.8t
12	Z6006-02373	00	O-ring	O 型密封圈 23.7x3.5	1	JIS B2401	JIS B2401
13	DK3P8-61041	01	Steel pipe assembly I	钢管总成 I	1		
14	DK3P8-61051	01	Steel pipe assembly II	钢管总成 II	1		
15	D9FL8-62011	01	Check valve	升降缸切断阀	1		
16	D9FL8-62031	01	Straight joint	直通接头	1	Include 30	包含 30
17	DK3P8-61061	01	Steel pipe assembly III	钢管总成 III	1		
18	DK3P8-62091	02	Steel pipe limit plate	钢管限位板	1		
19	DG9N8-32351	01	Straight joint	直通接头	1	Include 12	包含 12
20	Z4710-00014	00	Elastic hoop	钢带型弹性环箍 Φ 14	5		
21	Z7400-12000	00	Hose	塑料管	1	See table	见附表
22	JT6031-08001	00	Oil return joint	升降缸回油接头	1		
23	54235-52701H	00	Band	回油管夹片	4		
24	Z9260-80350	00	8 x350 strapping tape	捆扎带 8x350	5		
25	Z9702-1606524NL	00	Hose H.P.	高压胶管, Φ 16IIX650	1		
26	Z7400-12110	00	Plastic hose	塑料回油管 Φ 12x1100	1		
27	B0330-06012-X1	00	Combined bolt M6X12	组合螺栓 M6X12	2	GB/T9074.1 5-88	GB/T9074.1 5-88
28	D2MD8-70001	00	Clip	管卡总成	2		
31	Z7400-12000	00	Hose	塑料管	1	See table	见附表

HRDK3P8001-1 06 Lift bracket & backrest

HRDK3P8001-1 06 货叉架及挡货架



选件表
OPTION TABLE

宽度 WIDTH	货叉架总成(序号01) LIFT BRACKET ASSEMBLY (ITEM NO. 01)	挡货架宽度 BACKREST WIDTH	挡货架(序号02) BACKREST (ITEM NO. 02)	备注 REMARK
1200	HRDK3P8201-W1200	1200	D7W1B-21201W	
1300	HRDK3P8201-W1300	1300	D7W1B-21301W	
1400	HRDK3P8201-W1400	1400	D7W1B-21401W	
1500	HRDK3P8201-W1500	1500	D7W1B-21501W	
1600	HRDK3P8201-W1600	1600	D7W1B-21601W	
1700	HRDK3P8201-W1700	1700	D7W1B-21701W	
1800	HRDK3P8201-W1800	1800	D7W1B-21801W	
1900	HRDK3P8201-W1900	1900	D7W1B-21901W	
2000	HRDK3P8201-W2000	2000	D7W1B-22001W	
2100	HRDK3P8201-W2100	2100	D7W1B-22101W	
2200	HRDK3P8201-W2200	2200	D7W1B-22201W	
		2300	D7W1B-22301W	
		2400	D7W1B-22401W	

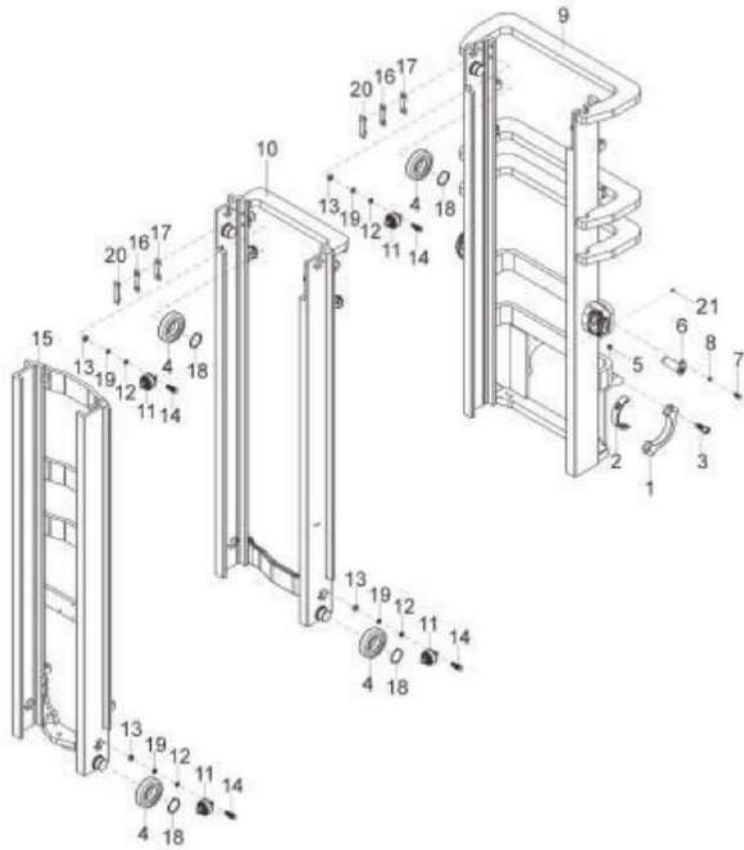
HRDK3P8001-1 06 Lift bracket & backrest

HRDK3P8001-1 06 货叉架及挡货架

序号 No.	零部件代号 Part No.	版本 Edition	名称 Part name		数量 Q'ty	备注 Remark	
1	HRDK3P8201	09	Lift bracket assembly	货叉架总成	1		
1	HRDK3P8201W	03	Widened series Lift bracket	加宽系列货叉架	1	Option, see table	选用,见附表
2	D7W18-20001	02	3-3.5t shelf (standard)	3-3.5 吨挡货架 (标准)	1		
2	HRD7W18201W	02	Backrest with non-standard width	3-3.5t 非标宽系列挡货架	1	Option, see table	选用,见附表
2	HRD7W18202H	01	Backrest with non-standard height	3-3.5t 非标高系列挡货架	1	Option	选用
3	B0330-14030-X1	00	Combined bolt M14x30	组合螺栓 M14x30	6	GB5783, GB93	GB5783, GB93
4	B8030-12020	00	Screw M12x20	螺钉 M12x20	1	GB70-85	GB70-85
5	B5050-00012	00	Washer	垫圈 12	1	GB93-87	GB93-87
6	22548-34061	02	Shim	调整垫圈	16	REF404140	REF404140
7	980811N	03	Roller	滚轮	6		
8	B6150-00055	00	Snap ring	挡圈 55	6	GB894.1-86	GB894.1-86
9	DH2E8-70211	00	Recombination roller	复合滚轮	4		
10	D28R0-92031	01	Side roller	侧滚轮	2		
11	D28R0-92011	02	Spacer	调整垫块	4		
12	B0530-10040-X1	00	Combined bolt M10x1.25x40	组合螺栓 M10x1.25x40	4	GB5783, GB93	GB5783, GB93
13	22548-34051	02	Shim	调整垫圈	2	REF404140	REF404140

HRDK3P8001-2 06 Mast

HRDK3P8001-2 06 门架



门架选用件表
MAST OPTIONAL PARTS

起升高度 LIFTING HEIGHT	外门架总成 OUTER MAST ASS'Y	中门架总成 MIDDLE MAST ASS'Y	内门架总成 INNER MAST ASS'Y	备注 REMARK	起升高度 LIFTING HEIGHT	外门架总成 OUTER MAST ASS'Y	中门架总成 MIDDLE MAST ASS'Y	内门架总成 INNER MAST ASS'Y	备注 REMARK
ZSM360	DK3P8-30011-S	DK3P8-30211-S	DK3P8-30411-S		550	DK3P8-30131-S	DK3P8-30331-S	DK3P8-30531-S	
400	DK3P8-30021-S	DK3P8-30221-S	DK3P8-30421-S		600	DK3P8-30081-S	DK3P8-30281-S	DK3P8-30481-S	
435	DK3P8-30001-S	DK3P8-30201-S	DK3P8-30401-S	标准 STD	650	DK3P8-30091-S	DK3P8-30291-S	DK3P8-30491-S	
450	DK3P8-30031-S	DK3P8-30231-S	DK3P8-30431-S		700	DK3P8-30101-S	DK3P8-30301-S	DK3P8-30501-S	
470	DK3P8-30041-S	DK3P8-30241-S	DK3P8-30441-S		750	DK3P8-30111-S	DK3P8-30311-S	DK3P8-30511-S	
480	DK3P8-30051-S	DK3P8-30251-S	DK3P8-30451-S		780	DK3P8-30121-S	DK3P8-30321-S	DK3P8-30521-S	
500	DK3P8-30061-S	DK3P8-30261-S	DK3P8-30461-S		800	DK358-30121	DK358-30321	DK358-30521	
540	DK3P8-30071-S	DK3P8-30271-S	DK3P8-30471-S						

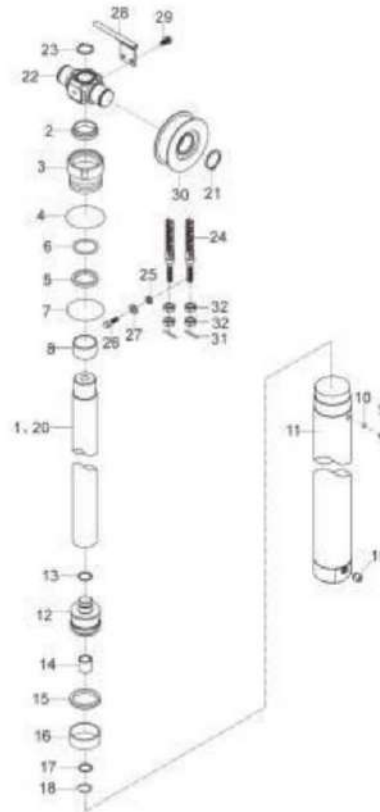
HRDK3P8001-2 06 Mast

HRDK3P8001-2 06 门架

序号 No.	零部件代号 Part No.	版本 Edition	名称 Part name		数量 Q'ty	备注 Remark	
1	22018-30064	02	Mast support cover	门架支座盖	2		
2	D20B8-02001	03	Bushing	轴衬	2		
3	B0430-16070-X1	00	Combined bolt M16x1.5x70	组合螺栓 M16x1.5x70	4	GB5783,GB 93	GB5783,GB 93
4	980811N	03	Roller	滚轮	8		
5	Q700B01M	00	Fitting	直通式滑脂嘴	2	ZBT33001.2 -88	ZBT33001.2 -88
6	D7G58-30061	06	Pin axle	倾斜油缸销轴总成	2		
7	B0530-10020	00	Bolt	螺栓 M10x1.25x20	2	GB5786-86	GB5786-86
8	B5050-00010	00	Washer	垫圈 10	2	GB93-87	GB93-87
9	HRDK3P8301	16	Outer mast	外门架总成	1	See table	见附表
10	HRDK3P8303	07	Inner mast	内门架总成	1	See table	见附表
11	23458-32051	02	Side roller	侧滚轮组 II	8		
12	22548-34051	02	Shim	调整垫圈	2	REF404140	REF404140
13	23818-30071A	00	Spacer	垫块	16		
14	B0530-12040-X1	00	Combined bolt M12x1.25x40	组合螺栓 M12x1.25x40	16	GB5786-87	GB5786-87
15	HRDK3P8302	10	Middle mast	中门架总成	1	See table	见附表
16	20029-43231- 1	00	Shim 0.5	调整垫片 0.5	2	20029-4323 1	20029-4323 1
17	20029-43231-2	00	Shim 1.0	调整垫片 1.0	4	20029-4323 1	20029-4323 1
18	B6150-00055	00	Snap ring	挡圈 55	8	GB894.1-86	GB894.1-86
19	22548-34061	02	Shim	调整垫圈	16	REF404140	REF404140
20	D15X8-60501	02	Limit slider	限位滑块	4	HRD15X860 1	HRD15X860 1
21	DGLN8-70108	00	Plug	内螺纹橡胶堵头	4		

HRDK3P8401-1 13 Front lift cylinder mounting

HRDK3P8401-1 13 前起升油缸安装图



前起升油缸安装选用件
FRONT LIFT CYLINDER MOUNTING OPTION TABLE

起升高度 LIFTING HEIGHT	前起升油缸 FRONT LIFT CYLINDER	链条总成 CHAIN ASS'Y	备注 REMARK
250/300	DK3P8-40431	HRLH1634001-55	
400	DK3P8-40451	HRLH1634001-61	
435	DK3P8-40401	HRLH1634001-63	标准 std
450	DK3P8-40461	HRLH1634001-66	
470	DK3P8-40471	HRLH1634001-67	
480	DK3P8-40481	HRLH1634001-69	
500	DK3P8-40491	HRLH1634001-73	
540	DK3P8-40501	HRLH1634001-77	
600	DK3P8-40511	HRLH1634001-85	
650	DK3P8-40531	HRLH1634001-93	
700	DK3P8-40551	HRLH1634001-99	
750	DK3P8-40571	HRLH1634001-113	
780	DK3P8-40581	HRLH1634001-117	
550	DK3P8-40601A	HRLH1634001-77	
800	DK3P8-40611A	HRLH1634001-119	

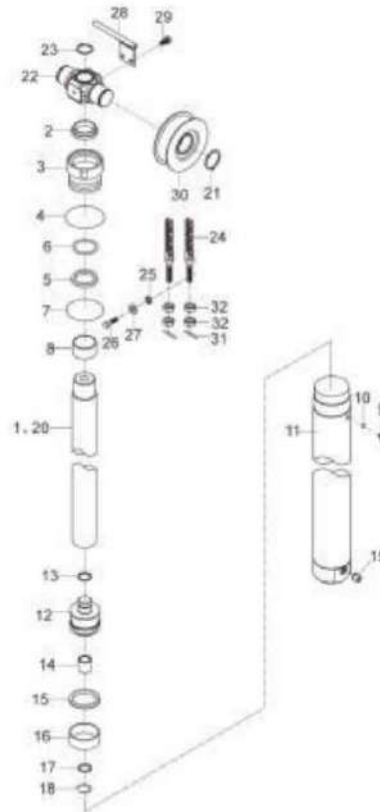
HRDK3P8401-1 13 Front lift cylinder mounting

HRDK3P8401-1 13 前起升油缸安装图

序号 No.	零部件代号 Part No.	版本 Edition	名称 Part name		数量 Q'ty	备注 Remark	
1	HRDK3P8421A	02	Front lift cylinder	前起升油缸	1	See table, include 2-20	见附表,包含 2-20
2	AR3381G5	00	Dust ring 65x79x8/11	防尘圈 65x79x8/11	1		
3	GCQ085DL3-02	00	Guide sleeve	导向套	1		
4	AG0090	00	O-ring 90x3. 1	O 形密封圈 90x3. 1	1	GB1235-76	GB1235-76
5	FU0810F0	00	Seal ring	轴用密封圈 65x75x8	1		
6	GCQ075JND-06	00	Catch 75x65x3	挡片 75x65x3	1		
7	Z6053-07753	00	O-ring 77.5*3.55G	O 形密封圈 77.5*3.55G	1		
8	Z2114-06535	00	Bushing	钢背轴承	1		
9	B8032-05006	00	Screw M5X6	螺钉 M5X6	1	GB/T70-198 5	GB/T70-198 5
10	Q70B0-82141	01	Washer	垫片	1		
11	DK3P8421A. 1-00	00	Cylinder body	缸体	1		
12	HRD26Z0516A	00	Piston assembly	活塞总成	1		
13	GCQ085HST-05	00	Snap ring	钢丝挡圈	1		
14	D0W00.2-00	00	Valve assembly	阀总成	1		
15	PT03B0850-T46N	00	Combination seal ring	T 型组合密封圈 85x70x7.3	1		
16	22518-45141	00	Wearing 85x80x20	支撑环 85x80x20	1		
17	GCQ075BX-05	00	Catch	挡片	1		
18	B6052-00022	00	Snap ring 22	挡圈 22	1		
19	QDFB2-130	00	Valve	安全阀	1		
20	DK3P8421-01	00	Piston rod	活塞杆	1		
21	B6150-00040	00	Snap ring	挡圈 40	2	GB894.1-86	GB894.1-86
22	DK3P8-42191	01	Cylinder head sprocket seat	缸头链轮座	1		
23	B6150-00032	00	Snap ring 32	挡圈 32	1	GB894.1-86	GB894.1-86
24	HRLH1634031-N	01	Chain assembly	链条总成	2	See table, include 31-32	见附表,包含 31-32
25	B5050-00014	00	Washer	垫圈 14	2	GB93-87	GB93-87
26	B0530-14050	00	Bolt M14x1.5x50	螺栓 M14x1.5x50	2	GB5786-86	GB5786-86
27	B5310-00014	00	Washer	垫圈 14	2	GB97.1-85	GB97.1-85
28	DK3J8-41031	00	Stopper, chain	护链板	1	Without hoses & pulley block	不装胶管滑轮组
29	B0330-08020-X	00	Combined bolt	组合螺栓 M8x20	2	GB5783, GB 93-87	GB5783, GB 93-87
30	DK3P8-42201	01	Sheave	链轮	2		

HRDK3P8401-1 13 Front lift cylinder mounting

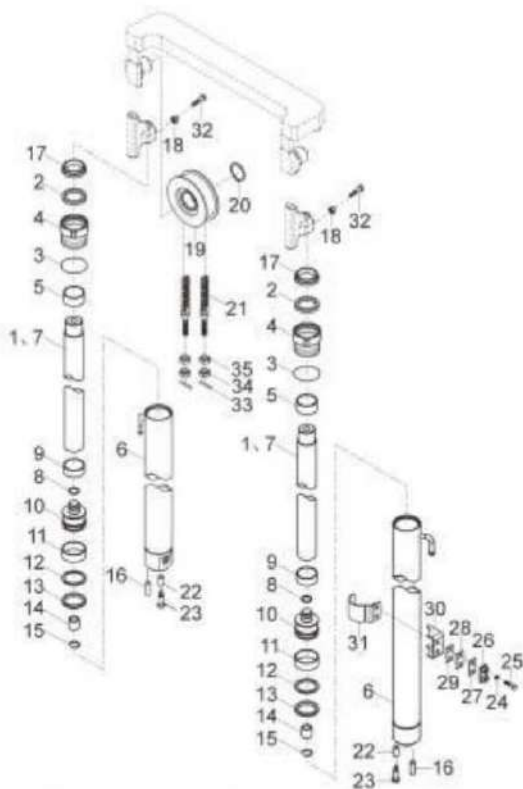
HRDK3P8401-1 13 前起升油缸安装图



前起升油缸安装选用件 FRONT LIFT CYLINDER MOUNTING OPTION TABLE			
起升高度 LIFTING HEIGHT	前起升油缸 FRONT LIFT CYLINDER	链条总成 CHAIN ASS'Y	备注 REMARK
250/60	DK3P8-40431	HRLH1634001-55	
400	DK3P8-40451	HRLH1634001-61	
435	DK3P8-40401	HRLH1634001-63	标准 std
450	DK3P8-40461	HRLH1634001-65	
470	DK3P8-40471	HRLH1634001-67	
480	DK3P8-40481	HRLH1634001-69	
500	DK3P8-40491	HRLH1634001-73	
540	DK3P8-40501	HRLH1634001-77	
600	DK3P8-40511	HRLH1634001-85	
650	DK3P8-40531	HRLH1634001-93	
700	DK3P8-40551	HRLH1634001-99	
750	DK3P8-40571	HRLH1634001-113	
780	DK3P8-40581	HRLH1634001-117	
550	DK3P8-40501A	HRLH1634001-77	
800	DK3P8-40511A	HRLH1634001-119	

HRDK3P8401-2 13 Rear lift cylinder mounting

HRDK3P8401-2 13 后起升油缸安装图



起升油缸安装选用件 LIFT CYLINDER MOUNTING OPTION TABLE				
起升高度 LIFTING HEIGHT	起升油缸(左) LIFT CYLINDER (LEFT)	起升油缸(右) LIFT CYLINDER (RIGHT)	链条总成 CHAIN ASS'Y	调整套 SPACER
360	DK3P8-40211L	DK3P8-40211R	HRLH1634031-63	
400	DK3P8-40221L	DK3P8-40221R	HRLH1634031-69	25
435	DK3P8-40201L	DK3P8-40201R	HRLH1634031-73	
450	DK3P8-40231L	DK3P8-40231R	HRLH1634031-75	
470	DK3P8-40241L	DK3P8-40241R	HRLH1634031-77	
480	DK3P8-40251L	DK3P8-40251R	HRLH1634031-79	
500	DK3P8-40261L	DK3P8-40261R	HRLH1634031-83	50
540	DK3P8-40271L	DK3P8-40271R	HRLH1634031-87	
600	DK3P8-40281L	DK3P8-40281R	HRLH1634031-95	
650	DK3P8-40291L	DK3P8-40291R	HRLH1634031-103	50
700	DK3P8-40301L	DK3P8-40301R	HRLH1634031-109	75
750	DK3P8-40311L	DK3P8-40311R	HRLH1634031-121	300
780	DK3P8-40321L	DK3P8-40321R	HRLH1634031-125	300
550	DK3P8-40331L	DK3P8-40331R	HRLH1634031-89	
800	DK3P8-40341L	DK3P8-40341R	HRLH1634031-127	

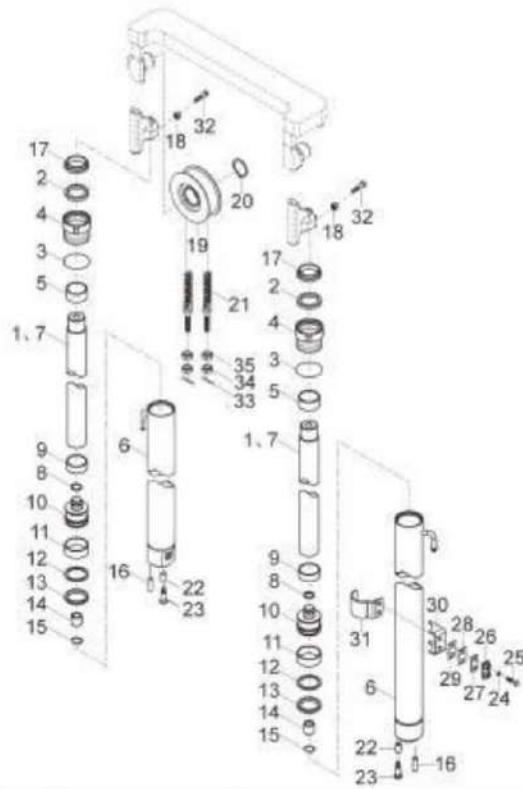
HRDK3P8401-2 13 Rear lift cylinder mounting

HRDK3P8401-2 13 后起升油缸安装图

序号 No.	零部件代号 Part No.	版本 Edition	名称 Part name		数量 Q'ty	备注 Remark	
1	HRDK3P8411	03	Rear lift cylinder	后起升油缸	2	See table, include 2-17	见附表,包含 2-17
2	D28B8-42611	00	U-ring	轴用密封圈 45x55x6	2		
3	Q055HST-52001	00	O-ring 55.6x2.4	O 型密封圈 55.6x2.4	2		
4	GCQ056YJ-01	00	Guide sleeve	导向套	2		
5	Z2113-04530	00	Bushing	钢背轴承	2		
6	DK3P8411.1-00	00	Cylinder body	缸体	2		
7	DK3P8411-01	00	Piston rod	活塞杆	2		
8	D20B8-42381	00	Snap ring	钢丝挡圈	2		
9	TZT-45	00	Spacer	调整套	2	See table	见附表
10	HRD2MD8402-02	00	Piston	活塞	2		
11	27978-42421	00	Wearing	支承环	2		
12	24459-42291	00	Catch	挡片	2		
13	24468-42001	00	U-ring	U 型圈	2		
14	GCQ055DL4-07	00	Sleeve	套	2		
15	GCQ055DL4-08	00	Snap ring	钢丝挡圈	2		
16	B3130-10026	00	Pin	销 B10x26	2	GB119-86	GB119-86
17	24459-42271	00	Dust ring	防尘圈 45x57x7/10	2		
18	B4123-00010	00	Nut	螺母 M10	2	GB6170-86	GB6170-86
19	DK3P8-42201	01	Sheave	链轮	2		
20	B6150-00040	00	Snap ring	挡圈 40	2	GB894.1-86	GB894.1-86
21	HRLH1634031-N	01	Chain assembly	链条总成	2	See table, include 33-35	见附表,包含 33-35
22	D20B8-42031	01	Spacer	隔套	2		
23	B0530-12025	00	Bolt M12x1.25x25	螺栓 M12x1.25x25	2	GB5786-86	GB5786-86
24	B5050-00010	00	Washer	垫圈 10	4	GB93-87	GB93-87
25	B0230-10045	00	Bolt	螺栓 M10x45	4	GB5782-86	GB5782-86
26	DE778-42031	00	Cushion	减震块	2		
27	DE778-42071	00	Plate	垫板	2		
28	DE778-42051	00	Shim	调整垫片	2		
29	DE778-42061	00	Shim	调整垫片	2		
30	DS3Z8-42021	01	Lock plate	卡板	2		

HRDK3P8401-2 13 Rear lift cylinder mounting

HRDK3P8401-2 13 后起升油缸安装图



起升油缸安装选用件 LIFT CYLINDER MOUNTING OPTION TABLE				
起升高度 LIFTING HEIGHT	起升油缸(左) LIFT CYLINDER (LEFT)	起升油缸(右) LIFT CYLINDER (RIGHT)	链条总成 CHAIN ASS'Y	调整套 SPACER
360	DK3P8-40211L	DK3P8-40211R	HRLH1634031-63	
400	DK3P8-40221L	DK3P8-40221R	HRLH1634031-69	25
435	DK3P8-40201L	DK3P8-40201R	HRLH1634031-73	
450	DK3P8-40231L	DK3P8-40231R	HRLH1634031-75	
470	DK3P8-40241L	DK3P8-40241R	HRLH1634031-77	
480	DK3P8-40251L	DK3P8-40251R	HRLH1634031-79	
500	DK3P8-40261L	DK3P8-40261R	HRLH1634031-83	50
540	DK3P8-40271L	DK3P8-40271R	HRLH1634031-87	
600	DK3P8-40281L	DK3P8-40281R	HRLH1634031-95	
650	DK3P8-40291L	DK3P8-40291R	HRLH1634031-103	50
700	DK3P8-40301L	DK3P8-40301R	HRLH1634031-109	75
750	DK3P8-40311L	DK3P8-40311R	HRLH1634031-121	300
780	DK3P8-40321L	DK3P8-40321R	HRLH1634031-125	300
550	DK3P8-40331L	DK3P8-40331R	HRLH1634031-89	
800	DK3P8-40341L	DK3P8-40341R	HRLH1634031-127	

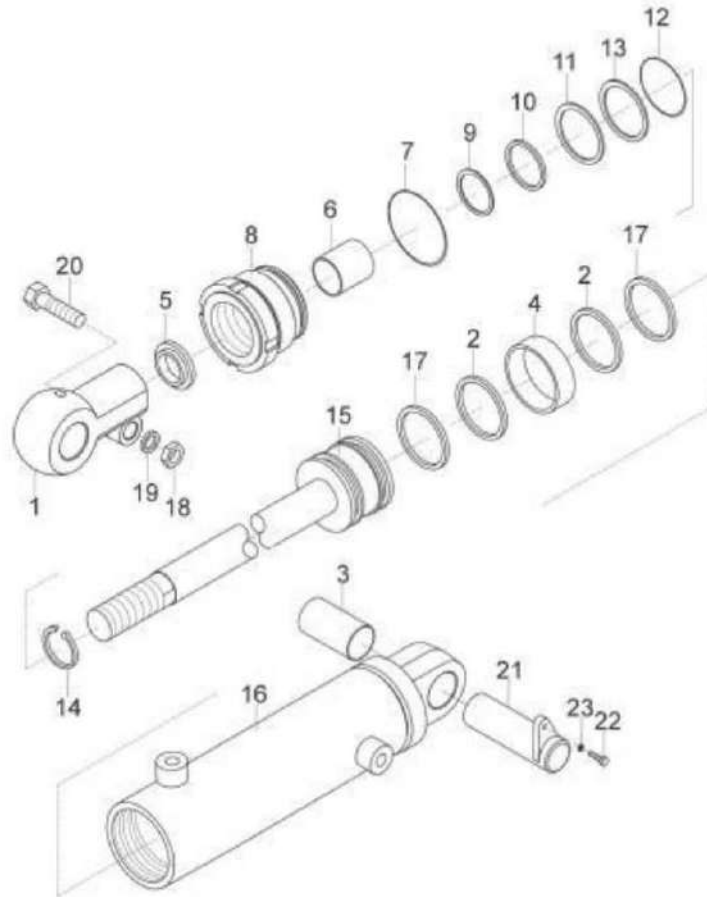
HRDK3P8401-2 13 Rear lift cylinder mounting

HRDK3P8401-2 13 后起升油缸安装图

序号 No.	零部件代号 Part No.	版本 Edition	名称 Part name		数量 Q'ty	备注 Remark	
31	DS3Z8-40211	00	Plate assembly	卡板总成	2		
32	B0330-10030	00	Bolt	螺栓 M10x30	2	GB5783-86	GB5783-86
33	B3010-3P230	00	Pin	开口销 3.2x30	4	GB91-86	GB91-86
34	B4230-00016	00	Nut	螺母 M16x1.5	4	GB6171-86	GB6171-86
35	23818-32071	00	Ball faced nut M22X1.5	球面螺母 M22X1.5	4		
36	HRDK3P8401XLB	00	Front lift cylinder repair kits	前起升缸修理包	1		

HRD9FL8501 04 Tilt cylinder

HRD9FL8501 04 倾斜油缸



倾斜油缸选用件 TILT CYLINDER OPTION TABLE		
前/后倾角 TILKT ANGLE	倾斜油缸左 TILT CYLINDER L.H.	倾斜油缸右 TILT CYLINDER R.H.
6° -12°	D9FLB-50001L	D9FLB-50001R
6° -10°	D9FLB-50041L	D9FLB-50041R
6° -6°	D9FLB-50011L	D9FLB-50011R
3° -6°	D9FLB-50021L	D9FLB-50021R
3° -3°	D9FLB-50031L	D9FLB-50031R

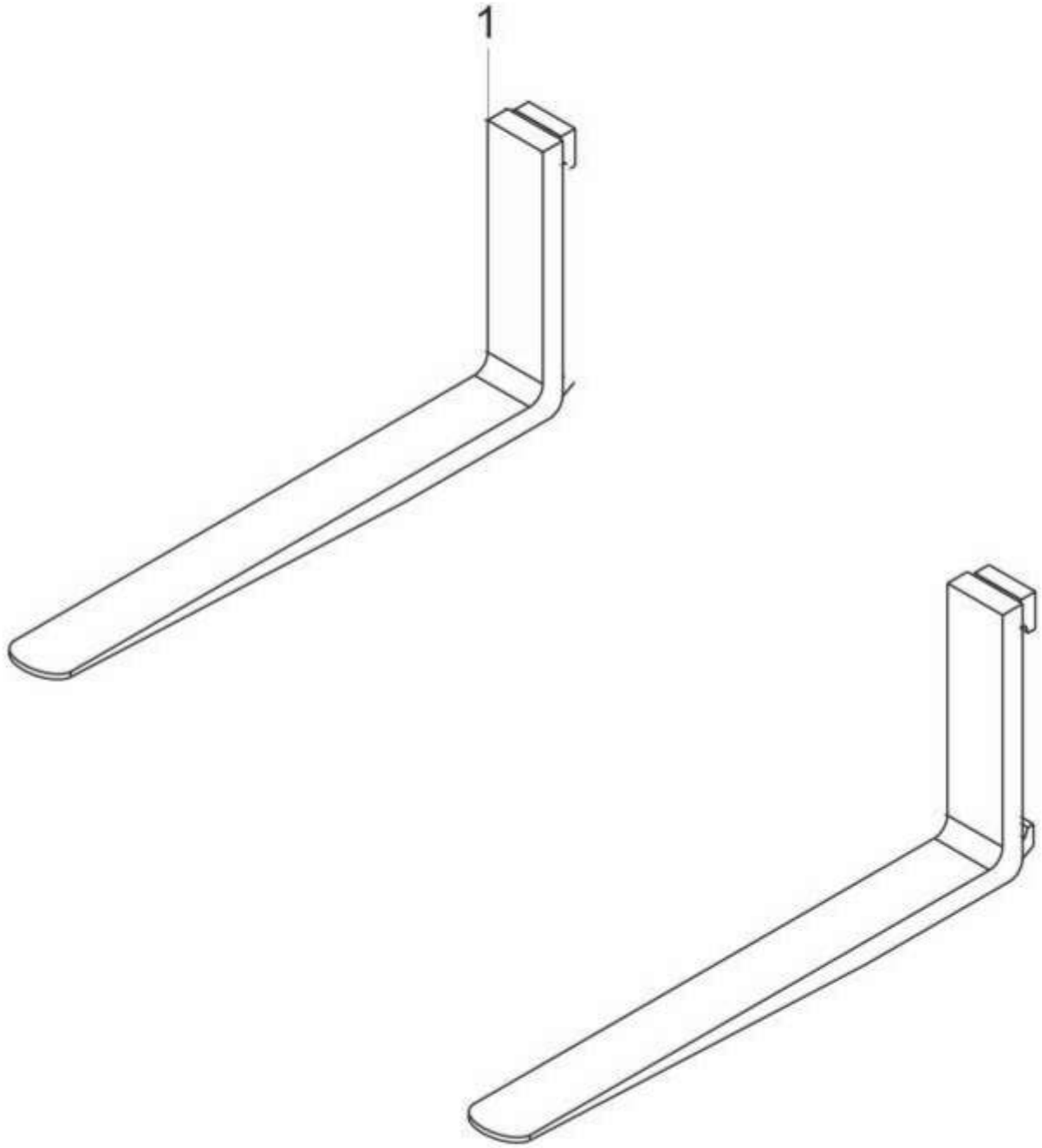
HRD9FL8501 04 Tilt cylinder

HRD9FL8501 04 倾斜油缸

序号 No.	零部件代号 Part No.	版本 Edition	名称 Part name		数量 Q'ty	备注 Remark	
1	D9FL8501-01	00	Ear ring	耳环	1		
2	D01D8-42051	00	Catch	挡片 70x60x3	2		
3	Z2123-03038	00	Bushing 3038	钢背轴承 3038	1	GB80-85	GB80-85
4	23678-52051	00	Wearing 70x65x2.5	支承环 70x65x2.5	1		
5	23468-52081	00	Dust ring	防尘圈 $\phi 52 \times \phi 32 \times 11 \times 8$	1		
6	Z2113-03225	00	Bushing	钢背轴承	1		
7	AG0075A	00	O-ring	O 型密封圈 75x3.1	1	GB1235-76	GB1235-76
8	D7G58521-02	00	Guide sleeve	导向套	1		
9	23678-54001	00	Catch 48x32x3	挡片 48x32x3	1		
10	22228-50151A	00	Seal ring	轴用密封圈 32x48x10	1		
11	D20B8-52055	00	Catch 70x65.2x1.25	挡片 70x65.2x1.25	1		
12	OR64.4x3.1	00	O-ring 64.1x3.1	O 型密封圈 64.1x3.1	1	GB1235-76	GB1235-76
13	23678-54021S	00	Snap ring 52x43x2	挡圈 52x43x2	1		
14	B6052-00052	00	Snap ring	挡圈 52	1	GB893.1-86	GB893.1-86
15	D9FL8501.2-00	00	Piston body assembly	活塞体	1		
16	D9FL8501.1-00	00	Cylinder body	缸体	1		
17	23678-55001	00	U-ring	U 型圈	2		
18	B4123-00014	00	Nut M14	螺母 M14	1	GB6170-86	GB6170-86
19	B5050-00014	00	Washer	垫圈 14	1	GB93-87	GB93-87
20	B0223-14055	00	Bolt	六角头螺栓 M14x55/35	1	GB5782-86	GB5782-86
21	HRH22A8309	08	Pin	倾斜油缸销轴	2		
22	B0530-10020	00	Bolt	螺栓 M10x1.25x20	2	GB5786-86	GB5786-86
23	B5050-00010	00	Washer	垫圈 10	2	GB93-87	GB93-87

HRD28B8101 05 3T Fork

HRD28B8101 05 3T 货叉总成



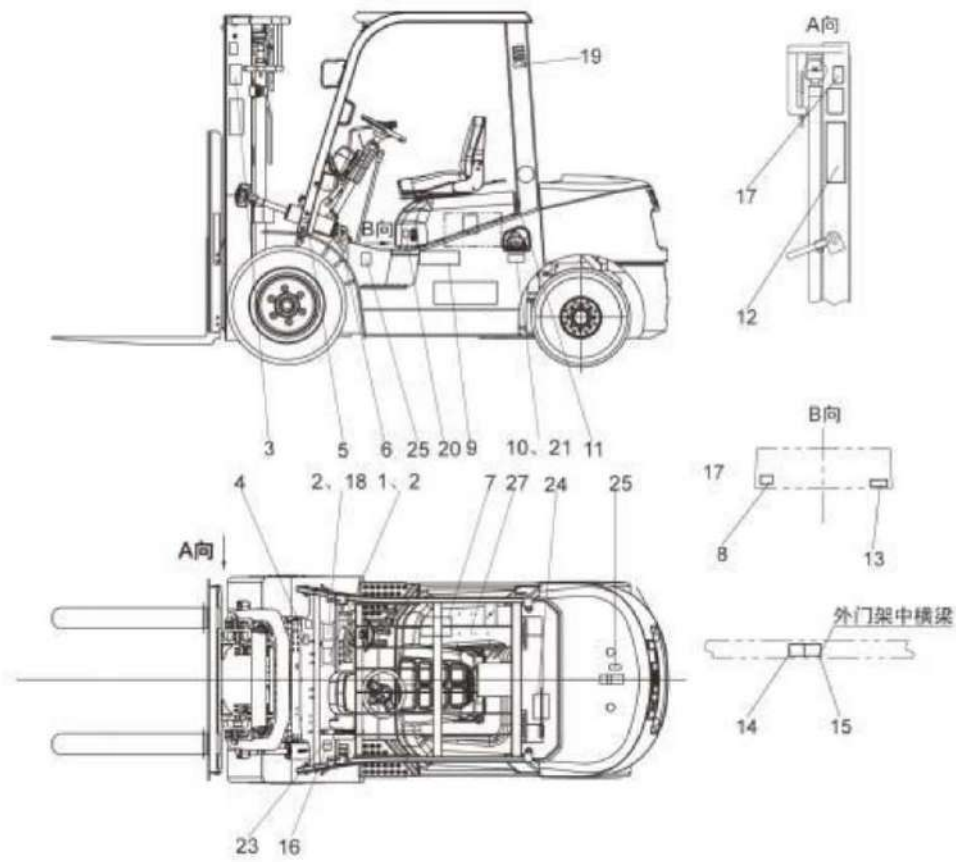
HRD28B8101 05 3T Fork

HRD28B8101 05 3T 货叉总成

序号 No.	零部件代号 Part No.	版本 Edition	名称 Part name	数量 Q'ty	备注 Remark
1	D28B8-10001	05	Fork	2	LF107-14J/1 070/ std LF107- 14J/ 1 070/标准
1	D28B8-10011	05	Fork	2	LF122-14J/1 220 LF122-14J/1 220
1	D28B8-10021	05	Fork	2	LF137- 14J/ 1 370 LF137- 14J/ 1 370
1	D28B8-10031	05	Fork	2	LF152-14J/1 520 LF152-14J/1 520
1	D28B8-10041	05	Fork	2	LF167- 14J/ 1 670 LF167- 14J/ 1 670
1	D28B8-10051	05	Fork	2	LF182-14J/1 820 LF182-14J/1 820
1	D28B8-10061	05	Fork	2	LF197- 14J/ 1 970 LF197- 14J/ 1 970
1	D28B8-10071	05	Fork	2	LF212- 14J/2 120 LF212- 14J/2 120
1	D28B8-10081	05	Fork	2	LF100-14J/1 000 LF100-14J/1 000
1	D28B8-10091	05	Fork	2	LF110- 14J/ 1 100 LF110- 14J/ 1 100
1	D28B8-10111	05	Fork	2	LF120-14J/1 200 LF120-14J/1 200
1	D28B8-10121	05	Fork	2	LF130- 14J/ 1 300 LF130- 14J/ 1 300
1	D28B8-10131	05	Fork	2	LF140-14J/1 400 LF140-14J/1 400
1	D28B8-10141	05	Fork	2	LF150-14J/1 500 LF150-14J/1 500
1	D28B8-10151	05	Fork	2	LF160- 14J/ 1 600 LF160- 14J/ 1 600
1	D28B8-10161	05	Fork	2	LF170-14J/1 700 LF170-14J/1 700
1	D28B8-10171	05	Fork	2	LF180- 14J/ 1 800 LF180- 14J/ 1 800
1	D28B8-10181	05	Fork	2	LF190-14J/1 900 LF190-14J/1 900
1	D28B8-10191	05	Fork	2	LF200- 14J/2 000 LF200- 14J/2 000

K2TJ9-10001 06 Decal

K2TJ9-10001 06 标牌油漆布置图



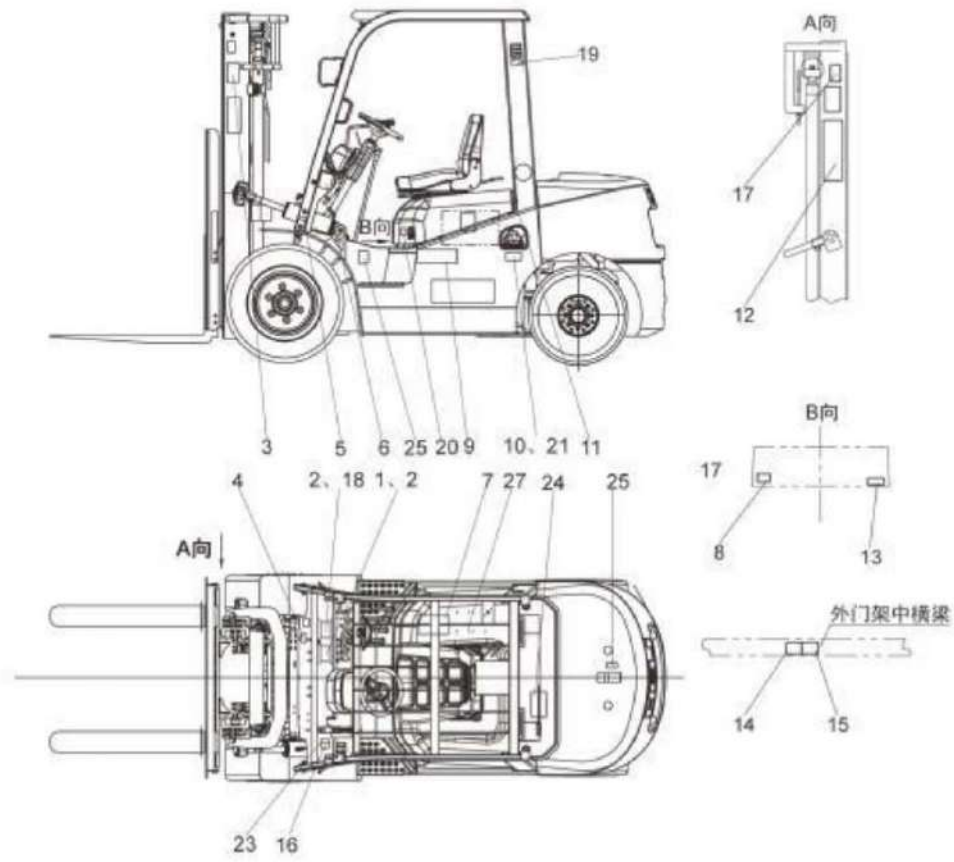
K2TJ9-10001 06 Decal

K2TJ9-10001 06 标牌油漆布置图

序号 No.	零部件代号 Part No.	版本 Edition	名称 Part name		数量 Q'ty	备注 Remark	
1	6TY10-00-245	00	Name plate	门架实际承载能力铭牌 (CHL)	1		
1	6TY10-00-197	02	Name plate	门架实际承载能力铭牌	1	Neutral Packing	中性包装
2	B2391-04008	00	Rivet	开口型铆钉 4x8	8		
3	6TY40-01-30	00	Plate,safety	安全标志标牌(全英文)	2		
4	6TY40-02-55	00	Plate,lubrication chart	润滑系统图标牌(全英 文)	1		
5	6TY40-16-115	00	Plate,air pressure	轮胎气压(2-2.5t 全英 文)	1	2-2.5t	2-2.5t
5	6TY40-16-116	00	Plate,air pressure	轮胎气压(3-3.5t 全英 文)	1	3-3.5t	3-3.5t
6	6TY40-08-21	00	Plate,tyre safety	轮胎安全标牌(全英文)	1		
7	6TY40-03-38	00	Decal	使用须知标牌(全英文)	1		
8	6TY40-05-21	00	Plate,adding hydraulic oil	加液压油标牌(全英文)	1		
9	6TY40-00-1070	00	K2 Series 2-tonnage sign (left)	K2 系列 2 吨位标牌(左)	1	2t	2t
9	6TY40-00-1071	00	K2 Series 2-tonnage sign (right)	K2 系列 2 吨位标牌(右)	1	2t	2t
9	6TY40-00-1072	00	K2 Series 2.5T Plate (left)	K2 系列 2.5 吨位标牌 (左)	1	2.5t	2.5t
9	6TY40-00-1073	00	K2 Series 2.5T Plate (right)	K2 系列 2.5 吨位标牌 (右)	1	2.5t	2.5t
9	6TY40-00-1074	00	K2 Series 3 Tonnage Plate (Left)	K2 系列 3 吨位标牌(左)	1	3t	3t
9	6TY40-00-1075	00	K2 Series 3 Tonnage Plate (Right)	K2 系列 3 吨位标牌(右)	1	3t	3t
9	6TY40-00-1076	00	K2 series 3.5-ton sign (left)	K2 系列 3.5 吨位标牌 (左)	1	3.5t	3.5t
9	6TY40-00-1077	00	K2 Series 3.5T Plate (right)	K2 系列 3.5 吨位标牌 (右)	1	3.5t	3.5t
10	6TY40-04-76	00	Decal	欧五燃油油品要求标牌 (柴油)	1	EU V diesel engine	欧五柴油机
11	6TY40-07-15	00	Plate,fan safety	风扇安全标牌(全英文)	1		
12	6TY40-00-738	00	CHL Decal	CHL 标牌(门架用)	2		
13	6TY40-06-110	00	Capacity plate	容量标牌(2-3.5t 全英 文)	1		
14	6TY40-14-16	00	Plate,padlok mast space	禁止进入门架后空间(全 英文)	1		
15	6TY40-15-18	00	Plate,notice thumb hand	注意伤手(全英文)	1		
16	6TY40-13-25	00	Plate,parking brake adjust	停车制动调整(全英文)	1		
17	6TY40-10-20	00	Plate,sling	起吊标牌(全英文)	2		
18	6TY10-00-549	00	Name plate	叉式装卸车铭牌(CHL 全英文)	1		
18	6TY10-00-119	01	Neutral packaging for vehicle nameplate	整车铭牌中性包装(英 文)	1	Neutral Packing	中性包装
18	6TY10-00-547	00	Neutral packaging	整车铭牌中性包装(制 造商、制造日期、配置 号)	1	Neutral packaging	中性包装+制 造商、制造日 期、配置号
19	6TY40-34-14	00	Forbiding filling water model	严禁冲水标牌(全英文)	1		

K2TJ9-10001 06 Decal

K2TJ9-10001 06 标牌油漆布置图



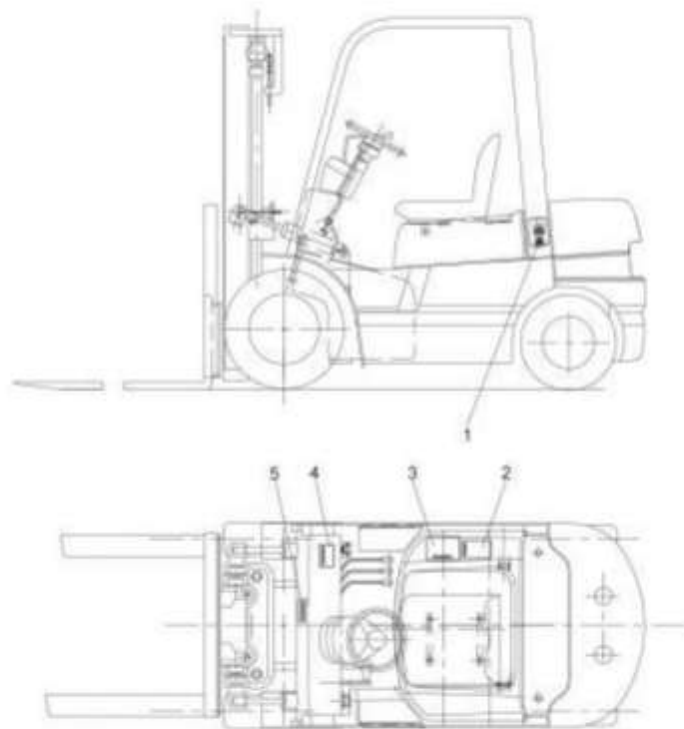
K2TJ9-10001 06 Decal

K2TJ9-10001 06 标牌油漆布置图

序号 No.	零部件代号 Part No.	版本 Edition	名称 Part name	数量 Q'ty	备注 Remark	
20	6TY40-108-01	00	Plate, shock absorber safety lock	1		
21	6TY40-04-21	00	Plate, fuel	1		
22	6TY40-12-27	00	Check the essentials before starting	1		
23	6TY40-26-93	02	Decal	1	EU V diesel engine	欧五柴油机
24	6TY40-26-07	00	Plate, warning	1		
25	6TY40-172-04	00	Filling Brake Fluid Label	1	Centered around	左右居中
26	6TY40-132-13	01	Plate	1	With Mitsubishi S4S engine	三菱 S4S 发 动机用
27	6TY40-03-165	00	Decal	1	KUBOTA EU V diesel engine	久保田欧五 柴油机
27	6TY40-03-166	00	Decal	1	Xinchang EU V diesel engine	新昌欧五柴 油机

A2YQ0-01001 02 Plate

A2YQ0-01001 02 标牌说明图(出口)



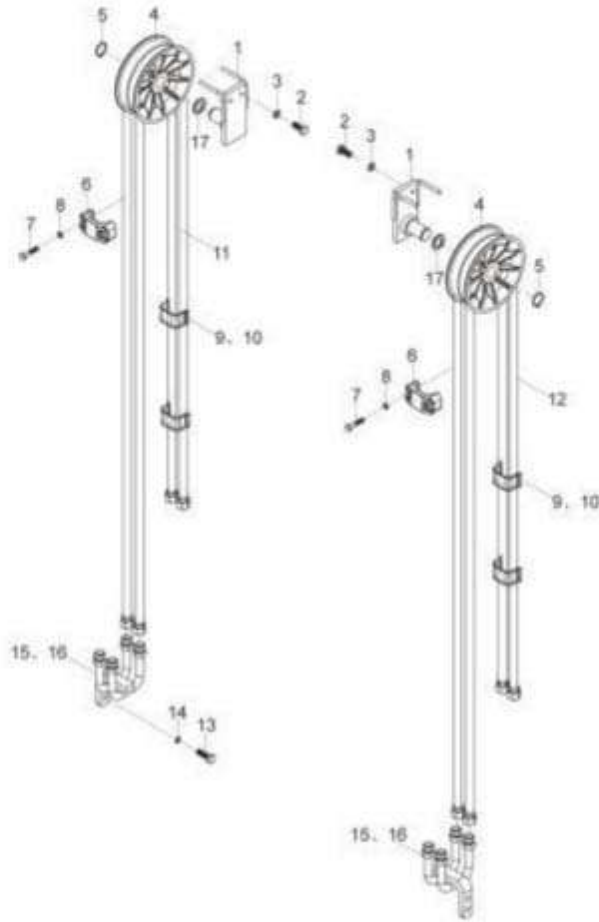
A2YQ0-01001 02 Plate

A2YQ0-01001 02 标牌说明图(出口)

序号 No.	零部件代号 Part No.	版本 Edition	名称 Part name	数量 Q'ty	备注 Remark
1	6TY40-31-02	00	Plate(English) 油箱油量说明标牌(英文)	1	
2	6TY40-00-224	00	Plate(English) LPG 系统安全维护说明 标牌(英文)	1	
3	6TY40-00-226	00	Plate(English) 更换钢瓶说明标牌(英文)	1	
4	6TY40-32-02	00	Plate(English) 双燃料系统燃料转换说 明标牌(英文)	1	
5	6TY40-33-01	00	Plate 液化石油气车标志标牌	1	

HRD9FL8701 05 Hose pulley block (metric)

HRD9FL8701 05 胶管滑轮组(公制)



胶管滑轮组选用件
HOSE & PULLEY BLOCK OPTION TABLE

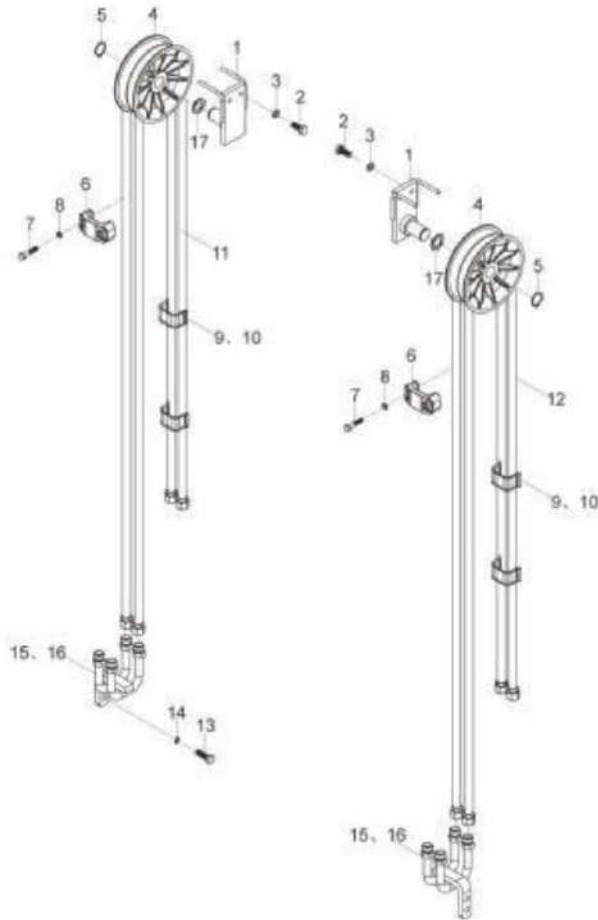
起升高度 LIFTING HEIGHT	件11 NO. 11				件12 NO. 12			
	2-2.5t	3t	3.5t	3.8t	2-2.5t	3t	3.5t	3.8t
200	ZF702-1025516	ZF702-1026016	ZF702-1027516	ZF702-1029016	ZF702-1027516	ZF702-1028016	ZF702-1029516	ZF702-1031016
225	ZF702-1028016	ZF702-1029016	ZF702-1030016	ZF702-1031516	ZF702-1030016	ZF702-1031016	ZF702-1032016	ZF702-1033516
250	ZF702-1030516	ZF702-1031516	ZF702-1032516	ZF702-1034016	ZF702-1032516	ZF702-1033516	ZF702-1034516	ZF702-1036016
270	ZF702-1032516	ZF702-1033516	ZF702-1034516	ZF702-1036016	ZF702-1034516	ZF702-1035516	ZF702-1036516	ZF702-1038016
300	ZF702-1035016	ZF702-1036016	ZF702-1037516	ZF702-1039016	ZF702-1037516	ZF702-1038516	ZF702-1039516	ZF702-1041016
330	ZF702-1038516	ZF702-1039516	ZF702-1040516	ZF702-1042016	ZF702-1040516	ZF702-1041516	ZF702-1042516	ZF702-1044016
350	ZF702-1040516	ZF702-1041516	ZF702-1042516	ZF702-1044016	ZF702-1042516	ZF702-1043516	ZF702-1044516	ZF702-1046016
370	ZF702-1042516	ZF702-1043516	ZF702-1044516	ZF702-1046016	ZF702-1044516	ZF702-1045516	ZF702-1046516	ZF702-1048016
400	ZF702-1046016	ZF702-1047016	ZF702-1048016	ZF702-1049516	ZF702-1048016	ZF702-1049016	ZF702-1050016	ZF702-1051516
425	ZF702-1048516	ZF702-1049516	ZF702-1050516	ZF702-1052016	ZF702-1050516	ZF702-1051516	ZF702-1052516	ZF702-1054016
450	ZF702-1051016	ZF702-1052016	ZF702-1053016	ZF702-1054016	ZF702-1053016	ZF702-1054016	ZF702-1055016	ZF702-1056516
475	ZF702-1053016	ZF702-1054016	ZF702-1055016	ZF702-1057016	ZF702-1055016	ZF702-1056016	ZF702-1057516	ZF702-1059016
500	ZF702-1056016	ZF702-1057016	ZF702-1058016	ZF702-1059516	ZF702-1058016	ZF702-1059016	ZF702-1060016	ZF702-1061516
550	ZF702-1062016	ZF702-1063016	ZF702-1064016	ZF702-1065516	ZF702-1064016	ZF702-1065016	ZF702-1066016	ZF702-1067516
600	ZF702-1067016	ZF702-1068016	ZF702-1069016	ZF702-1070516	ZF702-1069016	ZF702-1070016	ZF702-1071016	ZF702-1072516

HRD9FL8701 05 Hose pulley block (metric)

HRD9FL8701 05 ()							
序号 No.	零部件代号 Part No.	版本 Edition	名称 Part name		数量 Q'ty	备注 Remark	
1	D9FL8-72021	02	Pulley bracket	滑轮支架	2	Four piece valve	四片阀
1	D9FL8-72021	02	Pulley bracket	滑轮支架	1	Three piece valve	三片阀
2	B0330-08020	00	Bolt	螺栓 M8x20	2	Three piece valve,GB5783-86	三片阀,GB5783-86
2	B0330-08020	00	Bolt	螺栓 M8x20	4	Four piece valve	四片阀
3	B5050-00008	00	Washer	垫圈 8	2	Three piece valve,GB93-87	三片阀,GB93-87
3	B5050-00008	00	Washer	垫圈 8	4	Four piece valve	四片阀
4	D9FL8-72011	01	Pulley	滑轮	2	Four piece valve	四片阀
4	D9FL8-72011	01	Pulley	滑轮	1	Three piece valve	三片阀
5	B6150-00020	00	Snap ring	挡圈 20	2	Four piece valve	四片阀
5	B6150-00020	00	Snap ring	挡圈 20	1	Three piece valve,GB894.1-86	三片阀,86
6	D16JH-05221	05	Double row pipe clamp	双列管夹	2	Four piece valve	四片阀
6	D16JH-05221	05	Double row pipe clamp	双列管夹	1	Three piece valve	三片阀
7	B0230-06030	00	Bolt	螺栓 M6x30	2	Three piece valve,GB5782-86	三片阀,GB5782-86
7	B0230-06030	00	Bolt	螺栓 M6x30	4	Four piece valve	四片阀
8	B5050-00006	00	Washer,lock	垫圈 6	2	Three piece valve,GB93-87	三片阀,GB93-87
8	B5050-00006	00	Washer,lock	垫圈 6	4	Four piece valve	四片阀
9	Z9260-80350	00	8 x350 strapping tape	捆扎带 8x350	2	Three piece valve	三片阀
9	Z9260-80350	00	8 x350 strapping tape	捆扎带 8x350	4	Four piece valve	四片阀
10	F23JH-22041	00	Pipe clamp	管夹	4	Four piece valve	四片阀
10	F23JH-22041	00	Pipe clamp	管夹	2	Three piece valve	三片阀
11	Z9702-1025516	00	Hose H.P.	高压胶管	4	Four piece valve	四片阀
11	Z9702-1025516	00	Hose H.P.	高压胶管	2	Three piece valve, see table	三片阀,见表
12	Z9702-1027516	00	Hose H.P.	高压胶管	2	Four piece valve, see table	四片阀,见表
13	B0330-08025	00	Bolt	螺栓 M8x25	1	Three piece valve,GB5783-86	三片阀,GB5783-86
13	B0330-08025	00	Bolt	螺栓 M8x25	2	Four piece valve	四片阀
14	B5050-00008	00	Washer	垫圈 8	1	Three piece valve,GB93-87	三片阀,GB93-87
14	B5050-00008	00	Washer	垫圈 8	2	Four piece valve	四片阀

HRD9FL8701 05 Hose pulley block (metric)

HRD9FL8701 05 胶管滑轮组 (公制)



胶管滑轮组选用件
HOSE & PULLEY BLOCK OPTION TABLE

起升高度 LIFTING HEIGHT	件11 NO. 11				件12 NO. 12			
	2-2.5t	3t	3.5t	3.8t	2-2.5t	3t	3.5t	3.8t
200	Z9702-1025516	Z9702-1026516	Z9702-1027516	Z9702-1029016	Z9702-1027516	Z9702-1028516	Z9702-1029516	Z9702-1031016
225	Z9702-1028016	Z9702-1029016	Z9702-1030016	Z9702-1031516	Z9702-1030016	Z9702-1031016	Z9702-1032016	Z9702-1033516
250	Z9702-1030516	Z9702-1031516	Z9702-1032516	Z9702-1034016	Z9702-1032516	Z9702-1033516	Z9702-1034516	Z9702-1036016
270	Z9702-1032516	Z9702-1033516	Z9702-1034516	Z9702-1036016	Z9702-1034516	Z9702-1035516	Z9702-1036516	Z9702-1038016
300	Z9702-1035516	Z9702-1036516	Z9702-1037516	Z9702-1039016	Z9702-1037516	Z9702-1038516	Z9702-1039516	Z9702-1041016
330	Z9702-1038516	Z9702-1039516	Z9702-1040516	Z9702-1042016	Z9702-1040516	Z9702-1041516	Z9702-1042516	Z9702-1044016
350	Z9702-1040516	Z9702-1041516	Z9702-1042516	Z9702-1044016	Z9702-1042516	Z9702-1043516	Z9702-1044516	Z9702-1046016
370	Z9702-1042516	Z9702-1043516	Z9702-1044516	Z9702-1046016	Z9702-1044516	Z9702-1045516	Z9702-1046516	Z9702-1048016
400	Z9702-1046016	Z9702-1047016	Z9702-1048016	Z9702-1049516	Z9702-1048016	Z9702-1049016	Z9702-1050016	Z9702-1051516
425	Z9702-1048516	Z9702-1049516	Z9702-1050516	Z9702-1052016	Z9702-1050516	Z9702-1051516	Z9702-1052516	Z9702-1054016
450	Z9702-1051016	Z9702-1052016	Z9702-1053016	Z9702-1054516	Z9702-1053016	Z9702-1054016	Z9702-1055016	Z9702-1056516
475	Z9702-1053516	Z9702-1054516	Z9702-1055516	Z9702-1057016	Z9702-1055516	Z9702-1056516	Z9702-1057516	Z9702-1059016
500	Z9702-1056016	Z9702-1057016	Z9702-1058016	Z9702-1059516	Z9702-1058016	Z9702-1059016	Z9702-1060016	Z9702-1061516
550	Z9702-1062016	Z9702-1063016	Z9702-1064016	Z9702-1065516	Z9702-1064016	Z9702-1065016	Z9702-1066016	Z9702-1067516
600	Z9702-1067016	Z9702-1068016	Z9702-1069016	Z9702-1070516	Z9702-1069016	Z9702-1070016	Z9702-1071016	Z9702-1072516

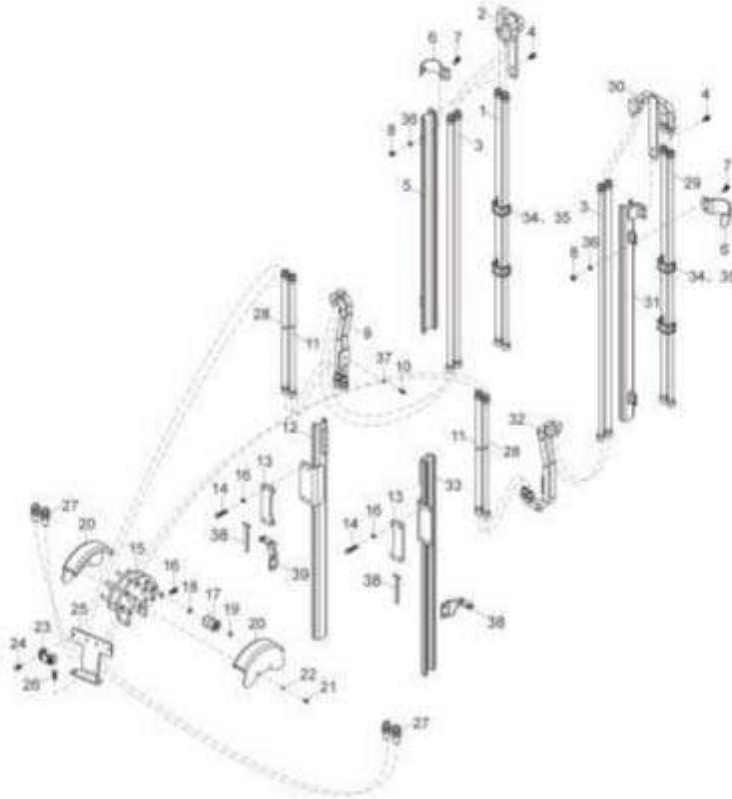
HRD9FL8701 05 Hose pulley block (metric)

HRD9FL8701 05 胶管滑轮组 (公制)

序号 No.	零部件代号 Part No.	版本 Edition	名称 Part name	数量 Q'ty	备注 Remark
15	D9FL8-72041	01	Four-way elbow assembly 四通弯管总成	1	Three piece valve 三片阀
15	D9FL8-72041	01	Four-way elbow assembly 四通弯管总成	2	Four piece valve 四片阀
16	20020-46000	00	Black spiral jacket NXHT-16 黑色螺旋护套 NXHT-16	4	Four piece valve 四片阀
16	20020-46000	00	Black spiral jacket NXHT-16 黑色螺旋护套 NXHT-16	2	Three piece valve 三片阀
17	DH2V8-62171	00	Washer 垫圈	2	Four piece valve 四片阀
17	DH2V8-62171	00	Washer 垫圈	1	Three piece valve 三片阀
18	DE778-32311R	00	The pipe clamp plate 管夹支板 (右)	1	
19	DE778-32311L	00	The pipe clamp plate 管夹支板 (左)	1	Four piece valve 四片阀

HRDK3H8701 07 Hose pulley block

HRDK3H8701 07 胶管滑轮组 (ZM, 公制)



胶管滑轮组选项件 (2-2.5t)
HOSE & PULLEY BLOCK OPTION TABLE (2-2.5t)

额定荷载 LIFTING WEIGHT	81 81.1	819 81.9	813 81.3	811 81.1	819 81.9
400	1440	1430	1430	1440	1750
420	1540	1530	1530	1540	1850
440	1640	1630	1630	1640	1950
470	1790	1780	1780	1790	2050
500	1940	1930	1930	1940	2150
550	2090	2080	2080	2090	2250
580	2190	2180	2180	2190	2350
630	2340	2330	2330	2340	2450
680	2490	2480	2480	2490	2550
730	2640	2630	2630	2640	2650
780	2790	2780	2780	2790	2750
830	2940	2930	2930	2940	2850
880	3090	3080	3080	3090	2950
930	3240	3230	3230	3240	3050

胶管滑轮组选项件 (3-3.8t)
HOSE & PULLEY BLOCK OPTION TABLE (3-3.8t)

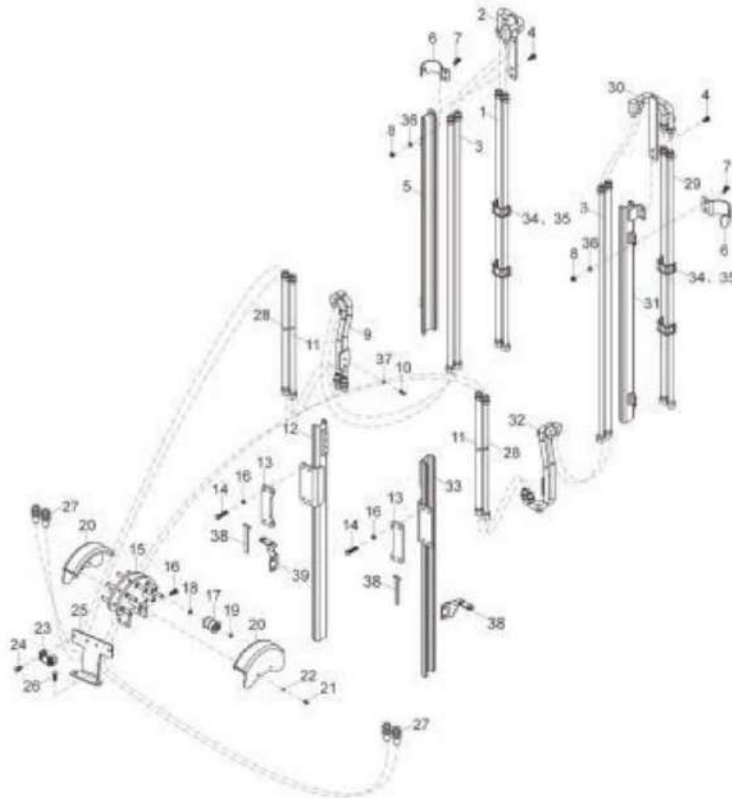
额定荷载 LIFTING WEIGHT	81 81.1	819 81.9	813 81.3	811 81.1	819 81.9
400	1440	1430	1430	1440	1750
420	1540	1530	1530	1540	1850
440	1640	1630	1630	1640	1950
470	1790	1780	1780	1790	2050
500	1940	1930	1930	1940	2150
550	2090	2080	2080	2090	2250
580	2190	2180	2180	2190	2350
630	2340	2330	2330	2340	2450
680	2490	2480	2480	2490	2550
730	2640	2630	2630	2640	2650
780	2790	2780	2780	2790	2750
830	2940	2930	2930	2940	2850
880	3090	3080	3080	3090	2950
930	3240	3230	3230	3240	3050

HRDK3H8701 07 Hose pulley block

HRDK3H8701 07 (ZM,)							
序号 No.	零部件代号 Part No.	版本 Edition	名称 Part name		数量 Q'ty	备注 Remark	
1	Z9702-1000016	00	Hose H.P.	高压胶管	2	See table	见表
2	DK3H8-71031R	00	Outer guide steel tube (right)	外导轨钢管(右)	1		
3	Z9702-1000016DS Z	00	Double hose	双联胶管	1	Three piece valve, see table	三片阀,见表
3	Z9702-1000016DS Z	00	Double hose	双联胶管	2	Four piece valve, see table	四片阀,见表
4	B0330-08016-X1	00	Combined bolt	组合螺栓 M8x16	4	Four piece valve	四片阀
4	B0330-08016-X1	00	Combined bolt	组合螺栓 M8x16	2	Three piece valve ,GB5783,GB93	三片阀 GB93
5	HRDK3H8711R	02	Guide rail(Outer,right)	外门架导轨总成(右)	1		
6	DK3H8-71011	01	Clip	油缸抱卡	8	Four piece valve ,3t	四片阀 ,3t
6	DK3H8-71011	01	Clip	3T 油缸抱卡	4	Three piece valve ,3t	三片阀,3t
6	DK3H8-71051	01	Clip	3.5T 油缸抱卡	4	Three piece valve ,3.5,3.8t	三片阀,3.5,3.8t
6	DK3H8-71061	01	Clip	油缸抱卡	8	Four piece valve ,2-2.5t	四片阀,2-2.5t
6	DK3H8-71061	01	Clip	油缸抱卡	4	Three piece valve ,2-2.5t	三片阀,2-2.5t
6	DK3H8-71051	01	Clip	3.5T 油缸抱卡	8	Four piece valve ,3.5,3.8t	四片阀,3.5,3.8t
7	B0330-08020	00	Bolt	螺栓 M8x20	8	Four piece valve	四片阀
7	B0330-08020	00	Bolt	螺栓 M8x20	4	Three piece valve,GB5783-86	三片阀,GB5783-86
8	B4223-00008	00	Nut M8x1	螺母 M8x1	4	Three piece valve ,GB6171-86	三片阀,GB6171-86
8	B4223-00008	00	Nut M8x1	螺母 M8x1	8	Four piece valve	四片阀
9	DK3H8-71041R	01	Inner guide steel tube (right)	内导轨钢管(右)	1		
10	B0330-06016	00	Bolt	螺栓 M6x16	2	Three piece valve,GB5783-86	三片阀,GB5783-86
10	B0330-06016	00	Bolt	螺栓 M6x16	4	Four piece valve	四片阀
11	Z9702-1000016SZ	00	Hose H.P.	高压胶管	1	Three piece valve, see table	三片阀,见表
11	Z9702-1000016SZ	00	Hose H.P.	高压胶管	2	Four piece valve	四片阀
12	HRDK3H8721R	01	Inner gantry guide rail assembly (right)	内门架导轨总成(右)	1		
13	DK3H8-72061	00	Retainer,cover	压板	1	Three piece valve	三片阀
13	DK3H8-72061	00	Retainer,cover	压板	2	Four piece valve	四片阀
14	B0330-08040	00	Bolt M8x40	螺栓 M8x40	4	Three piece valve ,GB5783-86,2,2.5t	三片阀,GB5783-86,2,2.5t

HRDK3H8701 07 Hose pulley block

HRDK3H8701 07 胶管滑轮组 (ZM, 公制)



胶管滑轮组选用件 (2-2.5t)
HOSE & PULLEY BLOCK OPTION TABLE (2-2.5t)

额定载荷 LIFTING WEIGHT	件1 NO.1	件2 NO.2	件3 NO.3	件11 NO.11	件21 NO.21
800	1480	1680	1220	1420	1720
125	1580	1720	1180	1480	1880
160	1680	1820	1220	1520	1920
215	1720	1920	1280	1580	2020
260	1920	2120	1320	1720	2120
320	2080	2280	1420	1780	2280
375	2120	2320	1480	1820	2320
475	2220	2420	1520	1920	2420
520	2320	2520	1580	1980	2520
600	2420	2620	1620	2020	2620
675	2520	2720	1680	2080	2720
775	2620	2820	1720	2120	2820
820	2720	2920	1780	2180	2920
920	2820	3020	1820	2220	3020
1000	2920	3120	1880	2280	3120
1100	3020	3220	1920	2320	3220
1200	3120	3320	1980	2380	3320
1300	3220	3420	2020	2420	3420
1400	3320	3520	2080	2480	3520

胶管滑轮组选用件 (3-3.8t)
HOSE & PULLEY BLOCK OPTION TABLE (3-3.8t)

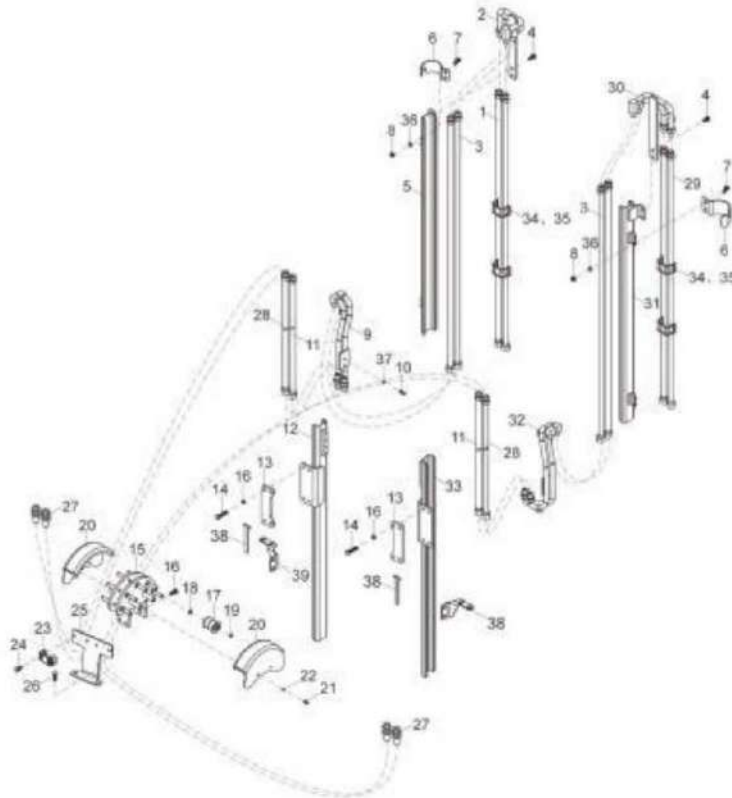
额定载荷 LIFTING WEIGHT	件1 NO.1	件2 NO.2	件3 NO.3	件11 NO.11	件21 NO.21
800	1480	1680	1220	1420	1720
125	1580	1720	1180	1480	1880
160	1680	1820	1220	1520	1920
215	1720	1920	1280	1580	2020
260	1920	2120	1320	1720	2120
320	2080	2280	1420	1780	2280
375	2120	2320	1480	1820	2320
475	2220	2420	1520	1920	2420
520	2320	2520	1580	1980	2520
600	2420	2620	1620	2020	2620
675	2520	2720	1680	2080	2720
775	2620	2820	1720	2120	2820
820	2720	2920	1780	2180	2920
920	2820	3020	1820	2220	3020
1000	2920	3120	1880	2280	3120
1100	3020	3220	1920	2320	3220
1200	3120	3320	1980	2380	3320
1300	3220	3420	2020	2420	3420
1400	3320	3520	2080	2480	3520

HRDK3H8701 07 Hose pulley block

HRDK3H8701 07 (ZM,)							
序号 No.	零部件代号 Part No.	版本 Edition	名称 Part name		数量 Q'ty	备注 Remark	
14	B0330-08045	00	Bolt	螺栓 M8x45	8	Four piece valve	四片阀
14	B0330-08045	00	Bolt	螺栓 M8x45	4	Three piece valve ,GB5783-86,3-3.8t	三片阀,GB5783-86,3-3.8t
14	B0330-08040	00	Bolt M8x40	螺栓 M8x40	8	Four piece valve	四片阀
15	DK3P8-71021	01	Front cylinder pulley bracket	前缸滑轮支架	1	2,2.5t	2,2.5t
15	DK3J8-71021	01	Front cylinder pulley bracket	前缸滑轮支架	1	3-3.8t	3-3.8t
16	B0330-08020-X1	00	Combined bolt	组合螺栓 M8x20	4	GB5783,GB93	GB5783,GB93
17	DK3P8-72051	02	Pulley	滑轮	5	Three piece valve	三片阀
17	DK3P8-72051	02	Pulley	滑轮	10	Four piece valve	四片阀
18	F26JH-01391	00	Washer	垫圈	10	Four piece valve	四片阀
18	F26JH-01391	00	Washer	垫圈	5	Three piece valve	三片阀
19	B6150-00010	00	Snap ring	挡圈 10	10	Four piece valve	四片阀
19	B6150-00010	00	Snap ring	挡圈 10	5	Three piece valve,GB8941-86	三片阀 86
20	DK3P8-72111	01	Rubber hose cover	胶管防护盖	2	Four piece valve ,2-2.5t	四片阀,2-2.5t
20	DK3P8-72111	01	Rubber hose cover	胶管防护盖	1	Three piece valve ,2,2.5t	三片阀,2,2.5t
20	DK3J8-72111	00	Rubber hose cover	胶管防护盖	2	Four piece valve ,3-3.8t	四片阀,3-3.8t
20	DK3J8-72111	00	Rubber hose cover	胶管防护盖	1	Three piece valve ,3-3.8t	三片阀,3-3.8t
21	B1210-05012	00	Screw	螺钉 M5x12	4	Four piece valve	四片阀
21	B1210-05012	00	Screw	螺钉 M5x12	2	Three piece valve ,GB818-85	三片阀,GB818-85
22	B5050-00005	00	Washer	垫圈 5	4	Four piece valve	四片阀
22	B5050-00005	00	Washer	垫圈 5	2	Three piece valve,GB93-87	三片阀,GB93-87
23	D16JH-05221A	01	Double row pipe clamp	双列管夹	2	Four piece valve	四片阀
23	D16JH-05221A	01	Double row pipe clamp	双列管夹	1	Three piece valve	三片阀
24	B0330-08030-X1	00	Combined bolt	组合螺栓 M8×30	4	Four piece valve	四片阀
24	B0330-08030-X1	00	Combined bolt	组合螺栓 ×	2	Three piece valve ,GB5783,GB93	三片阀 GB93
25	DK3P8-75021	00	The guide plate II	导向支板 II	1		
26	B0330-08016-X1	00	Combined bolt	组合螺栓 M8x16	2	Three piece valve ,GB5783,GB93	三片阀 GB93
26	B0330-08016-X1	00	Combined bolt	组合螺栓 M8x16	4	Four piece valve	四片阀
27	JT6021-18011LGB	00	Nipple	直通隔板接头	4	Four piece valve	四片阀

HRDK3H8701 07 Hose pulley block

HRDK3H8701 07 胶管滑轮组 (ZM, 公制)



胶管滑轮组选配件 (2-2.5t)
HOSE & PULLEY BLOCK OPTION TABLE (2-2.5t)

型号规格 L17146-01(07)	件1 NO.1	件24 NO.24	件3 NO.3	件11 NO.11	件29 NO.29
800	1480	1680	1200	1400	1700
225	1580	1750	1180	1400	1600
300	1680	1850	1200	1400	1650
375	1750	1950	1200	1400	1650
300	1900	2100	1200	1400	1700
330	2000	2200	1400	1700	1750
390	2100	2300	1500	1800	1800
375	2200	2400	1600	1800	1800
400	2300	2500	1700	1900	1900
420	2300	2500	1800	2000	1900
450	2300	2500	2000	2000	2000
475	2600	3000	2100	2100	2100
500	2900	3100	2200	2100	2000
550	3200	3400	2400	2300	2000
600	3600	3700	2700	2600	2000

胶管滑轮组选配件 (3-3.8t)
HOSE & PULLEY BLOCK OPTION TABLE (3-3.8t)

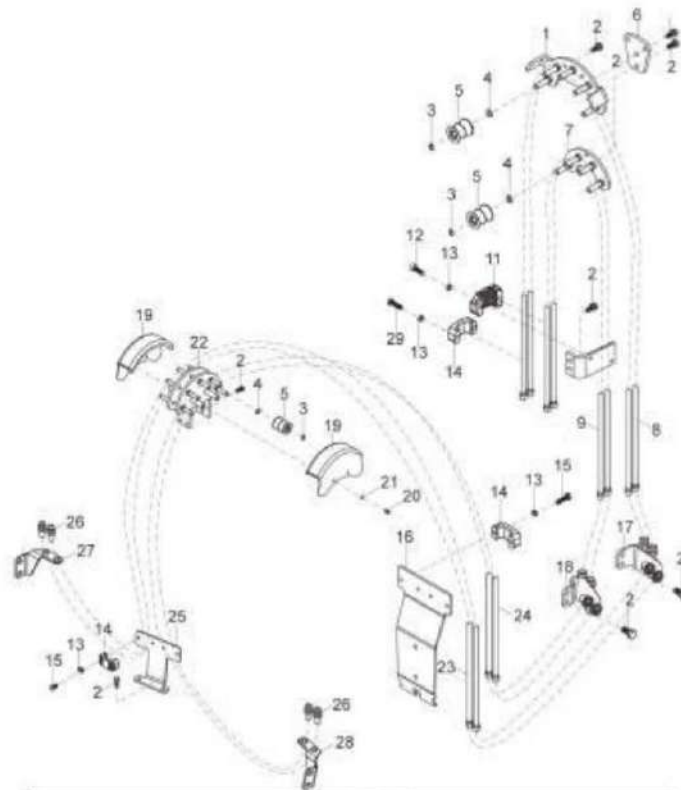
型号规格 L17146-04(04C)	件1 NO.1	件29 NO.29	件3 NO.3	件11 NO.11	件29 NO.29
800	1480	1600	1000	1700	1800
225	1580	1700	1100	1600	1700
300	1680	1800	1200	1600	1800
375	1750	1900	1200	1700	1700
300	1900	2100	1300	1700	1800
330	2000	2200	1400	1800	1800
360	2100	2300	1500	1800	1900
375	2200	2400	1600	1900	1900
400	2400	2600	1700	2000	1900
420	2500	2700	1800	2100	1900
450	2700	2900	2000	2100	2000
475	2800	3000	2100	2200	2000
500	2900	3100	2200	2300	2000
550	3200	3400	2400	2400	2100
600	3600	3700	2700	2700	2100

HRDK3H8701 07 Hose pulley block

HRDK3H8701 07 (ZM,)							
序号 No.	零部件代号 Part No.	版本 Edition	名称 Part name		数量 Q'ty	备注 Remark	
27	JT6021-18011LGB	00	Nipple	直通隔板接头	2	Three piece valve	三片阀
28	Z9702-1000016SZ	00	Hose H.P.	高压胶管	1	Three piece valve, see table	三片阀,见表
28	Z9702-1000016SZ	00	Hose H.P.	高压胶管	2	Four piece valve	四片阀
29	Z9702-1000016	00	Hose H.P.	高压胶管	2	Four piece valve, see table	四片阀,见表
30	DK3H8-71031L	00	Outer guide steel tube (left)	外导轨钢管(左)	1	Four piece valve	四片阀
31	HRDK3H8711L	02	Guide rail(Outer,left)	外门架导轨总成(左)	1	Four piece valve	四片阀
32	DK3H8-71041L	00	Inner guide steel tube (left)	内导轨钢管(左)	1	Four piece valve	四片阀
33	HRDK3H8721L	01	Guide rail(Inner,left)	内门架导轨总成(左)	1	Four piece valve	四片阀
34	Z9260-80350	00	8 x350 strapping tape	捆扎带 8x350	4	Four piece valve	四片阀
34	Z9260-80350	00	8 x350 strapping tape	捆扎带 8x350	2	Three piece valve	三片阀
35	F23JH-22041	00	Pipe clamp	管夹	4	Four piece valve	四片阀
35	F23JH-22041	00	Pipe clamp	管夹	2	Three piece valve	三片阀
36	B5050-00008	00	Washer	垫圈 8	8	Three piece valve,GB93-87	三片阀,GB93-87
36	B5050-00008	00	Washer	垫圈 8	16	Four piece valve	四片阀
37	B5050-00006	00	Washer,lock	垫圈 6	2	Three piece valve,GB93-87	三片阀,GB93-87
37	B5050-00006	00	Washer,lock	垫圈 6	4	Four piece valve	四片阀
38	DK3J8-72121	00	Board	插板	1	Three piece valve ,3-3.8t	三片阀,3-3.8t
38	DK3J8-72121	00	Board	插板	2	Four piece valve	四片阀
38	DK3P8-75011	01	Bracket	接头支板(右)	1	Without fittings	不装属具时用
39	DK3P8-75001	02	Bracket	接头支板(左)	1	Without fittings	不装属具时用

HRDK3P8701 12 Hose pulley block

HRDK3P8701 12 胶管滑轮组



胶管滑轮组选用件 HOSE & PULLEY BLOCK OPTION TABLE						
起升高度 LIFTING 高度(m)	R9 NO.8			R9 NO.9		
	3-2.5T	3-3.5T	3-5T	3-2.5T	3-3.5T	3-5T
360	29702-10381A62	29702-10320A62	29702-10325A62	29702-10300A62	29702-10101A62	29702-10229A62
400	29702-10348A62	29702-10390A62	29702-10300A62	29702-10330A62	29702-10340A62	29702-10300A62
435	29702-10365A62	29702-10370A62	29702-10395A62	29702-10360A62	29702-10340A62	29702-10375A62
470	29702-10378A62	29702-10380A62	29702-10395A62	29702-10360A62	29702-10270A62	29702-10395A62
475	29702-10380A62	29702-10390A62	29702-10405A62	29702-10370A62	29702-10280A62	29702-10395A62
480	29702-10385A62	29702-10395A62	29702-10410A62	29702-10375A62	29702-10385A62	29702-10400A62
500	29702-10420A62	29702-10415A62	29702-10430A62	29702-10395A62	29702-10405A62	29702-10420A62
540	29702-10425A62	29702-10430A62	29702-10450A62	29702-10415A62	29702-10425A62	29702-10440A62
560	29702-10440A62	29702-10475A62	29702-10490A62	29702-10450A62	29702-10440A62	29702-10480A62
565	29702-10520A62	29702-10510A62	29702-10520A62	29702-10490A62	29702-10500A62	29702-10520A62
700	29702-10530A62	29702-10540A62	29702-10580A62	29702-10520A62	29702-10530A62	29702-10570A62
750	29702-10570A62	29702-10610A62	29702-10620A62	29702-10560A62	29702-10600A62	29702-10610A62
780		29702-10630A62	29702-10640A62		29702-10620A62	29702-10630A62
960	29702-10420A62			29702-10420A62		
960		29702-10440A62			29702-10430A62	

胶管滑轮组选用件 HOSE & PULLEY BLOCK OPTION TABLE						
起升高度 LIFTING 高度(m)	R23 NO.23			R24 NO.24		
	3-2.5T	3-3.5T	3-5T	3-2.5T	3-3.5T	3-5T
360	29702-10275A62	29702-10275A62	29702-10275A62	29702-10270A62	29702-10270A62	29702-10270A62
400	29702-10290A62	29702-10290A62	29702-10290A62	29702-10280A62	29702-10280A62	29702-10280A62
435	29702-10295A62	29702-10295A62	29702-10295A62	29702-10290A62	29702-10290A62	29702-10290A62
460	29702-10300A62	29702-10300A62	29702-10300A62	29702-10295A62	29702-10295A62	29702-10295A62
470	29702-10300A62	29702-10300A62	29702-10300A62	29702-10300A62	29702-10300A62	29702-10300A62
475	29702-10300A62	29702-10300A62	29702-10300A62	29702-10300A62	29702-10300A62	29702-10300A62
480	29702-10310A62	29702-10310A62	29702-10310A62	29702-10300A62	29702-10300A62	29702-10300A62
500	29702-10320A62	29702-10320A62	29702-10320A62	29702-10310A62	29702-10310A62	29702-10310A62
540	29702-10330A62	29702-10330A62	29702-10330A62	29702-10320A62	29702-10320A62	29702-10320A62
560	29702-10350A62	29702-10350A62	29702-10350A62	29702-10340A62	29702-10340A62	29702-10340A62
565	29702-10370A62	29702-10370A62	29702-10370A62	29702-10360A62	29702-10360A62	29702-10360A62
700	29702-10380A62	29702-10380A62	29702-10380A62	29702-10380A62	29702-10380A62	29702-10380A62
750	29702-10400A62	29702-10410A62	29702-10410A62	29702-10395A62	29702-10410A62	29702-10410A62
780		29702-10420A62	29702-10420A62		29702-10420A62	29702-10420A62
960	29702-10330A62			29702-10330A62		
960		29702-10330A62			29702-10326A62	

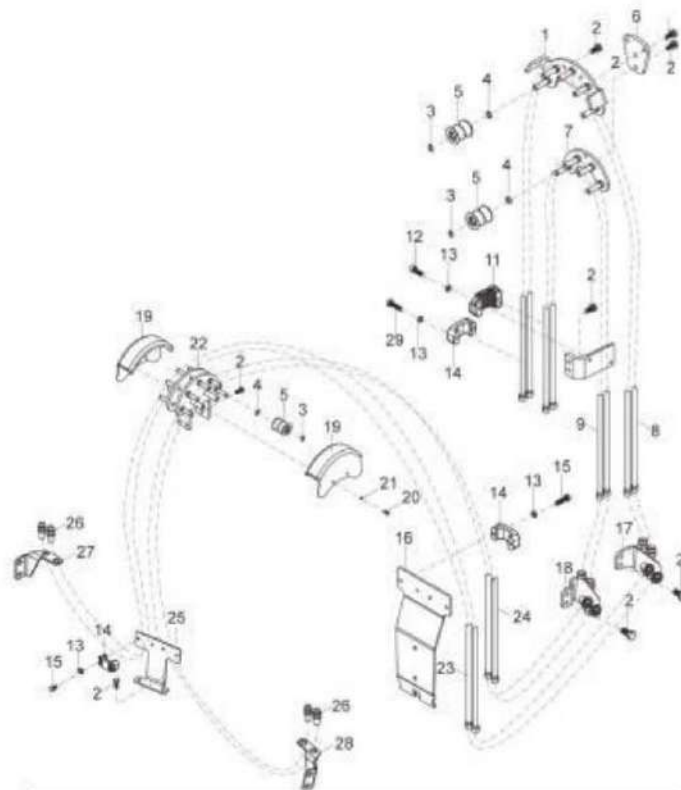
HRDK3P8701 12 Hose pulley block

HRDK3P8701 12 胶管滑轮组

序号 No.	零部件代号 Part No.	版本 Edition	名称 Part name		数量 Q'ty	备注 Remark	
1	DK3P8-71001	01	Pulley bracket	I	滑轮支架 I	1	
2	B0330-08020-X	00	Combined bolt		组合螺栓 M8x20	13	Three piece valve ,GB5783,GB93
2	B0330-08020-X	00	Combined bolt		组合螺栓 M8x20	17	Four piece valve
3	B6150-00010	00	Snap ring		挡圈 10	10	Three piece valve,GB894.1-86
3	B6150-00010	00	Snap ring		挡圈 10	19	Four piece valve
4	F26JH-01391	00	Washer		垫圈	19	Four piece valve
4	F26JH-01391	00	Washer		垫圈	10	Three piece valve
5	DK3P8-72051	02	Pulley		滑轮	10	Three piece valve
5	DK3P8-72051	02	Pulley		滑轮	19	Four piece valve
6	DK3P8-72061	01	Plate		连接板	1	Four piece valve
7	DK3P8-71011	01	Pulley bracket	II	滑轮支架 II	1	Four piece valve
8	Z9702-1000016SZ	00	Hose H.P.		高压胶管	2	See table
9	Z9702-1000016SZ	00	Hose H.P.		高压胶管	2	Four piece valve, see table
10	DK3P8-72011	00	The pipe clamp plate		管夹支板	1	
11	DK3P8-72001A	00	Pipe clamp		管夹	1	
12	B8030-08025	00	Screw M8x25		螺钉 M8x25	2	GB70-85
13	B5050-00008	00	Washer		垫圈 8	6	Three piece valve,GB93-87
13	B5050-00008	00	Washer		垫圈 8	12	Four piece valve
14	D16JH-05221A	01	Double row pipe clamp		双列管夹	5	Four piece valve
14	D16JH-05221A	01	Double row pipe clamp		双列管夹	2	Three piece valve
15	B0330-08030	00	Bolt		螺栓 M8x30	8	Four piece valve
15	B0330-08030	00	Bolt		螺栓 M8x30	2	Three piece valve,GB5783-86
16	DK3P8-72121	01	The guide plate		导向支板 I	1	
17	DK3P8-72171	00	Four-way steel pipe assembly		四通钢管总成	1	
18	DK3P8-72181	00	Four-way elbow assembly		四通弯管总成	1	Four piece valve
19	DK3P8-72111	01	Rubber hose cover		胶管防护盖	2	2,2.5t
19	DK3J8-72111	00	Rubber hose cover		胶管防护盖	2	3,3.5t
20	B1210-05012	00	Screw		螺钉 M5x12	4	GB818-85
21	B5050-00005	00	Washer		垫圈 5	4	GB93-87

HRDK3P8701 12 Hose pulley block

HRDK3P8701 12 胶管滑轮组



胶管滑轮组选用件 HOSE & PULLEY BLOCK OPTION TABLE						
起升高度 LIFTING 高度(m)	#6 NO.8			#9 NO.9		
	2-0.5T	3-0.5T	3.0T	2-2.0T	3-0.5T	3.0T
300	29702-103101A02	29702-103201A02	29702-103301A02	29702-103301A02	29702-103101A02	29702-103201A02
400	29702-103401A02	29702-103501A02	29702-103601A02	29702-103601A02	29702-103401A02	29702-103501A02
450	29702-103601A02	29702-103701A02	29702-103801A02	29702-103801A02	29702-103601A02	29702-103701A02
460	29702-103701A02	29702-103801A02	29702-103901A02	29702-103901A02	29702-103701A02	29702-103801A02
470	29702-103801A02	29702-103901A02	29702-104001A02	29702-103701A02	29702-103801A02	29702-103901A02
480	29702-103901A02	29702-103901A02	29702-104101A02	29702-103701A02	29702-103901A02	29702-104001A02
500	29702-104001A02	29702-104101A02	29702-104201A02	29702-103901A02	29702-104001A02	29702-104101A02
540	29702-104201A02	29702-104301A02	29702-104301A02	29702-104101A02	29702-104201A02	29702-104301A02
600	29702-104401A02	29702-104701A02	29702-104901A02	29702-104301A02	29702-104401A02	29702-104601A02
650	29702-105001A02	29702-105101A02	29702-105201A02	29702-104901A02	29702-105001A02	29702-105101A02
700	29702-105201A02	29702-105401A02	29702-105401A02	29702-105201A02	29702-105301A02	29702-105701A02
750	29702-105701A02	29702-106101A02	29702-106201A02	29702-105401A02	29702-106001A02	29702-106101A02
780		29702-106301A02	29702-106401A02		29702-106201A02	29702-106301A02
840	29702-106901A02			29702-106701A02		
900		29702-106401A02		29702-106301A02		

胶管滑轮组选用件 HOSE & PULLEY BLOCK OPTION TABLE						
起升高度 LIFTING 高度(m)	#23 NO.23			#24 NO.24		
	2-2.0T	3-0.5T	3.0T	2-2.0T	3-0.5T	3.0T
300	29702-102701A02	29702-102701A02	29702-102701A02	29702-102701A02	29702-102701A02	29702-102701A02
400	29702-102901A02	29702-102901A02	29702-102901A02	29702-102901A02	29702-102901A02	29702-102901A02
450	29702-102901A02	29702-102901A02	29702-102901A02	29702-102901A02	29702-102901A02	29702-102901A02
460	29702-103001A02	29702-103001A02	29702-103001A02	29702-102901A02	29702-102901A02	29702-102901A02
470	29702-103001A02	29702-103001A02	29702-103001A02	29702-103001A02	29702-103001A02	29702-103001A02
480	29702-103101A02	29702-103101A02	29702-103101A02	29702-103001A02	29702-103001A02	29702-103001A02
500	29702-103201A02	29702-103201A02	29702-103201A02	29702-103101A02	29702-103101A02	29702-103101A02
540	29702-103301A02	29702-103301A02	29702-103301A02	29702-103201A02	29702-103201A02	29702-103201A02
600	29702-103501A02	29702-103501A02	29702-103501A02	29702-103401A02	29702-103401A02	29702-103401A02
650	29702-103701A02	29702-103701A02	29702-103701A02	29702-103501A02	29702-103501A02	29702-103501A02
700	29702-103801A02	29702-103801A02	29702-103801A02	29702-103801A02	29702-103801A02	29702-103801A02
750	29702-104001A02	29702-104101A02	29702-104101A02	29702-103901A02	29702-104101A02	29702-104101A02
780		29702-104201A02	29702-104201A02		29702-104201A02	29702-104201A02
840	29702-103201A02			29702-103301A02		
900		29702-103301A02		29702-103201A02		

HRDK3P8701 12 Hose pulley block

HRDK3P8701 12 胶管滑轮组

序号 No.	零部件代号 Part No.	版本 Edition	名称 Part name		数量 Q'ty	备注 Remark	
22	DK3P8-71021	01	Front cylinder pulley bracket	前缸滑轮支架	1	2,2.5t	2,2.5t
22	DK3J8-71021	01	Front cylinder pulley bracket	前缸滑轮支架	1	3,3.5t	3,3.5t
23	Z9702-1000016SZ	00	Hose H.P.	高压胶管	2	Four piece valve, see table	四片阀,见表
24	Z9702-1000016SZ	00	Hose H.P.	高压胶管	2	See table	见表
25	DK3P8-75021	00	The guide plate II	导向支板 II	1		
26	JT6021-18011LGB	00	Nipple	直通隔板接头	2	Three piece valve	三片阀
26	JT6021-18011LGB	00	Nipple	直通隔板接头	4	Four piece valve	四片阀
27	DK3P8-75011	01	Bracket	接头支板(右)	1	Without fittings	不装属具时用
28	DK3P8-75001	02	Bracket	接头支板(左)	1	Without fittings, four pieces of valve	不装属具时用,四片阀
29	B0330-08055	00	Bolt	螺栓 M8x55	2	GB5783-86	GB5783-86