
EKKO[®]
MATERIAL HANDLING EQUIPMENT
MOVING AHEAD



**Liquefied Gas Single Fuel Hydraulic Forklift
EK25LP & EK25-212LP 5000LB
Parts Manual**

Contents

前 言.....	1
FOREWORD.....	2
零件图册说明.....	3
INSTRUCTION FOR PARTS MANUAL.....	4

FOREWORD

The manual is an integral part of the truck. Please keep it and other technical documents well during the life cycle of the truck and operate the truck according to instructions.

We reserve the right to modify the catalogue for improvement without notice.

INSTRUCTION FOR PARTS MANUAL

Abbreviations in the CATALOGUE:

ASS'Y	Assembly
R.H.	Right
L.H.	Left
H.P.	High pressure
L.P.	Low pressure
M	Basic type
ZM	Two-stage free lifting
ZSM	Three-stage free lifting
ZFM	Four-stage free lifting
AR	As required

Terms instructions:

Metric: Parts made for common forklift trucks markets

SAE: Special parts made for the forklift trucks exported to US and Canada

Signs instructions:

☆	It means when you purchasing this part, please consult local dealer/agent.
Figure number with "DB"	It is for the package sold as a unit, It is for selling as a unit.
Steering axle assembly with "-X"	It refers to steering axle without cushions and support bracket.
Figure number of filter with "X"	It refers to the filter core of the filter.
Figure number with "XLB"	It refers to the repair kits for the part.

EK25LP series 5000LB liquefied gas single fuel hydraulic forklift

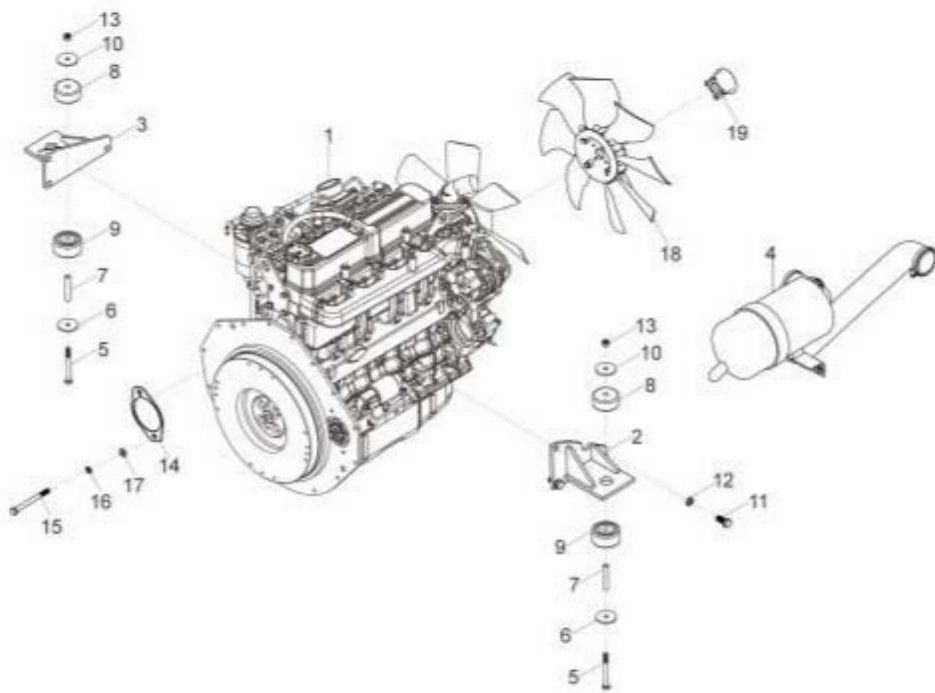
EK25LP 系列 5000LB

液化气单燃料液力叉车

序号 No.	零部件代号 Part No.	版本 Edition	名称 Part name		数量 Q'ty	备注 Remark	
1	HRK0JW1001	00	Engine setting	发动机安装	1		
2	K0JW2-10001	00	Cooling system	冷却系统	1		
3	HRK0JW2301	00	Exhaust system	排气系统	1		
4	H2MS2-20021	07	LPG system	液化气系统	1		
5	HRK0JW2401	00	Electrical system	电气系统	1		
6	H25S3-80501	08	Transmission unit(electric-hydraulic)	传动装置(电液换向)	1		
7	H2MD3-80011	02	Elastic plate assembly	弹性板组件	1		
8	H9DL3-00001	02	Drive axle assembly	驱动桥总成	1	Single tyre	单胎
9	HRH24C3005	05	Four-wheel drive axle	四轮驱动桥(2-2.5T)	1	Double tyre	双胎
10	HRK2TJ4401	00	Wheel	车轮	1	Single tyre	单胎
11	HRK2TJ4402	00	Drive wheel (double tires)	双胎前轮	1	Double tyre	双胎
12	GY2Y4-30001	02	Rear wheel	后轮总成	1		
13	K2TJ4-10001	03	Steering system	转向系统	1		
14	K2TJ4-30011	01	Steering axle	转向桥总成	1		
15	K9TK5-20001	01	Electronic throttle control system	电子油门操纵系统	1		
16	REF104804G	05	Inching pedal	行车制动与微动操纵装置	1		
17	HRK2TJ5501	00	Brake lever	停车制动装置	1		
18	K2TJ6-10021	00	Frame	车架(二)	1		
19	HRKM226301	01	Counter weight mount	平衡重安装	1		
20	H2LD6-10201	03	Counter weight shield assembly	平衡重防护网总成	1	Optional	选配
21	K2TJ6-40001	13	Hood	机罩类	1		
22	HRK9FL6501	01	Floor class	底板类	1		
23	H2KE6-80133TD	00	Hean half surround,whole suspension seat	和安半包围全悬浮座椅	1		
24	K2TJ7-60011	11	Hydraulic pipeline system	液压管路系统	1		
25	HRKM917401-1	05	Valve control linkage((two piece valve))	阀操纵总成(二片阀)	1	Two piece valve	二片阀
26	HRKM917401-2	05	Valve control linkage((three piece valve))	阀操纵总成(三片阀)	1	Three piece valve	三片阀
27	HRKM917401-3	05	Valve control linkage((four piece valve))	阀操纵总成(四片阀)	1	Four piece valve	四片阀
28	HRKM917401-4	05	Valve control linkage	阀操纵总成(五片阀)	1	Five piece valve	五片阀
29	K0JW5-10001	00	Roof guard assembly	护顶架总成	1		

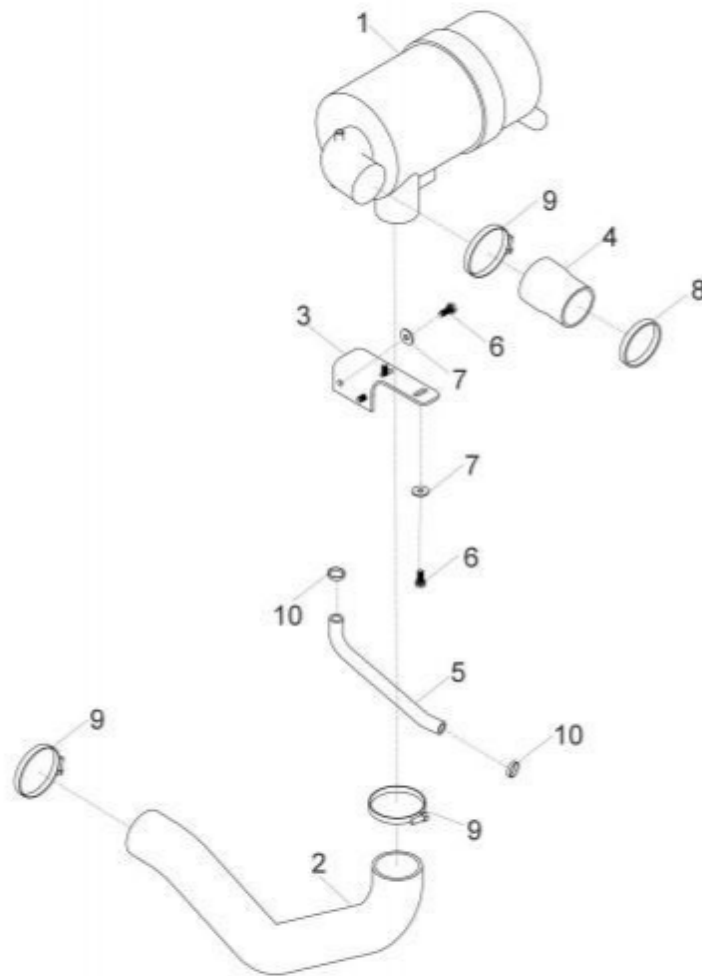
HRK0JW1001 00 Engine setting

HRK0JW1001 00 发动机安装



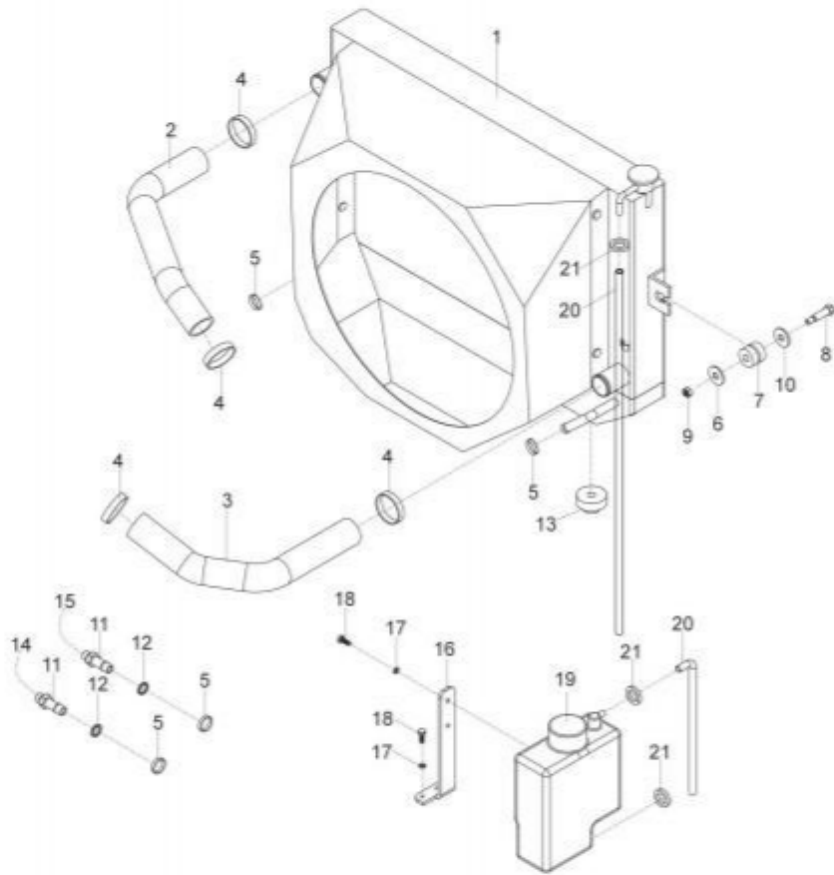
K0JW1-00401 00 Air cleaner setting

K0JW1-00401 00 空滤器安装



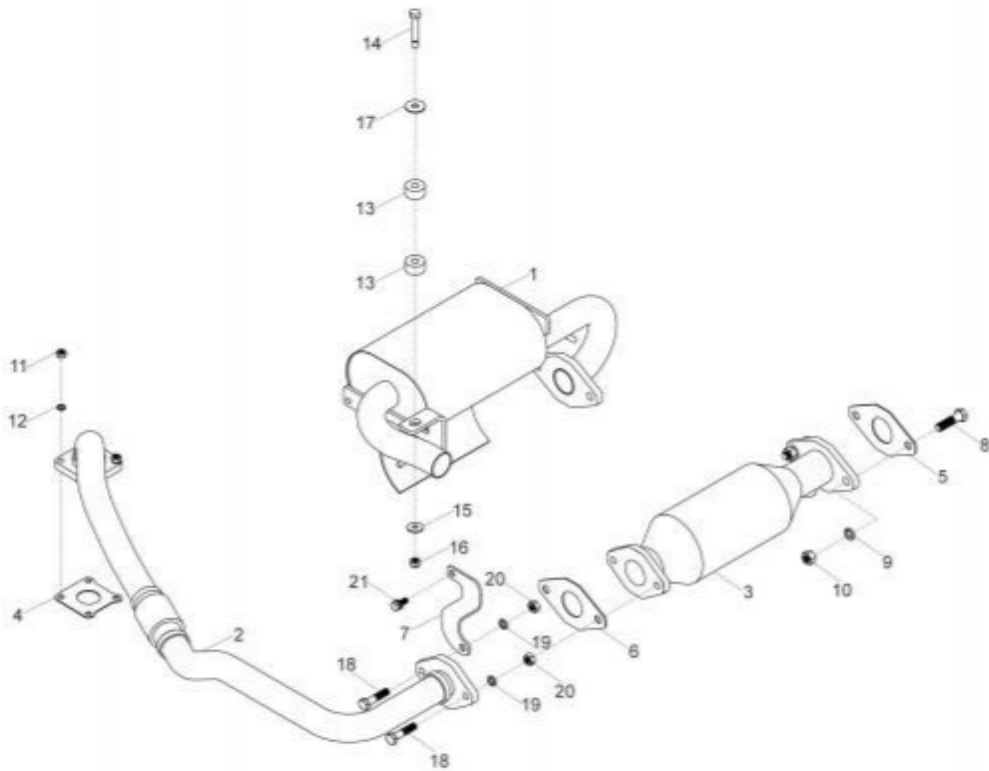
K0JW2-10001 00 Cooling system

K0JW2-10001 00 冷却系统



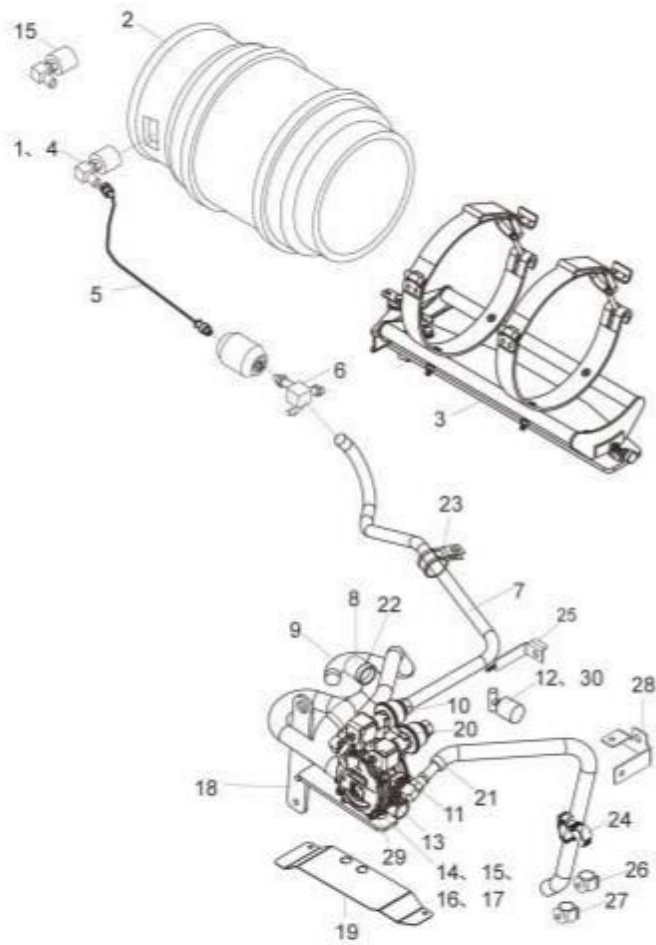
HRK0JW2301 00 Exhaust system

HRK0JW2301 00 排气系统



H2MS2-20021 07 LPG system

H2MS2-20021 07 液化气系统



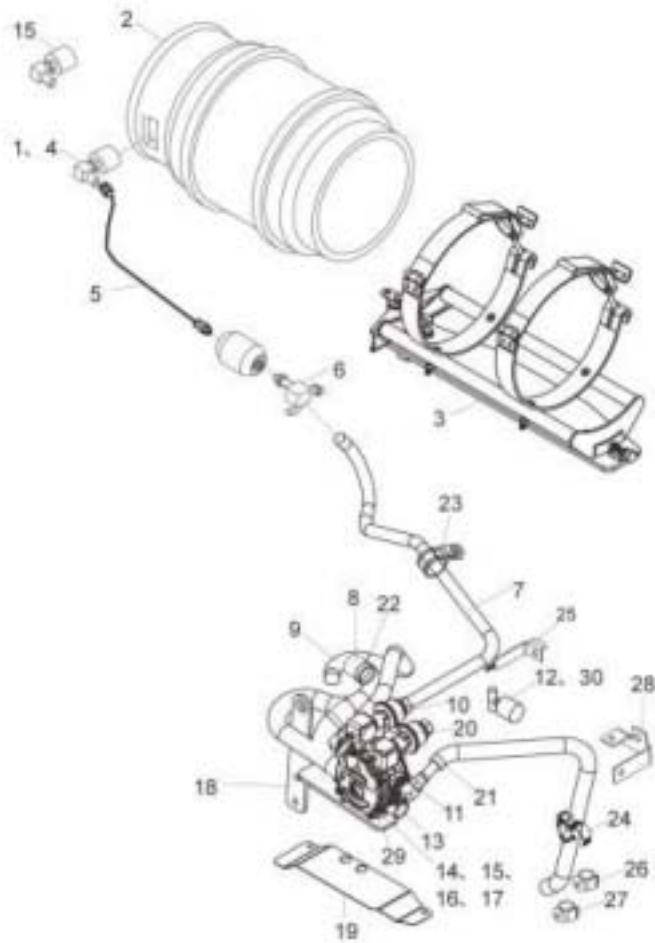
H2MS2-20021 07 LPG system

H2MS2-20021 07 液化气系统

序号 No.	零部件代号 Part No.	版本 Edition	名称 Part name		数量 Q'ty	备注 Remark	
1	A2YQ2-20511	03	Cylinder assemblies and joints(Standard configuration of export vehicles)	钢瓶总成及接头(出口车标配)	1	Include 2,4	包含 2,4
2	Y-5580	01	Cylinder assembly	钢瓶总成	1		
3	A2YA0-00121	06	LPG cylinder bracket	液化气钢瓶支架	1		
3	GY392-20201	03	Rolling & tilt LPG cylinder bracket(with imported LPG cylinder)	旋转侧翻式钢瓶支架(配进口钢瓶)	1	Optional ,HR GY392201	选配,HRGY392201
4	A2YA0-00301	00	Connector	LPG 充气接头	1		
5	A2YQ2-25001	00	Gas pipe	瓦斯气管 HA100-31.5	1		
6	HY252-20201	00	Three way	三通接头	1		
7	HY252-20211	00	Hose H.P.	高压胶管	1		
8	H2MS2-22031	00	Low pressure fuel pipe	低压燃料管	1		
9	H2MS2-22041	01	Support	支架	2		
10	EG52346951	00	Globe valve	截止阀	1	With engine	随发动机附来
11	EG52546931	00	Connector	水路接头	2	With engine	随发动机附来
12	HK2S2-20101A	00	LPG low level alarm device	液化气低液位报警装置	1		
13	EG52346924	00	Carburetor	汽化器	1		
14	B0230-06035	00	Bolt	螺栓 M6x35	2	GB5782-86	GB5782-86
15	A22A4-12121	01	Bowl shape washer	碗形垫圈	2		
16	A22A4-12111	00	Spacer	套管	2		
17	A22A4-12101	00	Rubber	橡胶套	2		
18	H2MS2-22021	02	Bracket	汽化器支架	1	With engine	随发动机附来
19	H2MS2-20201	01	Heat shield assembly	隔热板总成	1		
20	21409	00	Connector	90 度连接接头	1		
21	Z4592-19029	00	Clamp 19~29	德式喉箍 19~29	4		
22	Z4592-20032	00	Clamp	德式喉箍 20-32	2		
23	D1252-1112	00	Clip	线卡	3		
24	D03XK3133	00	Clip	线束固定卡(Φ31- Φ33)	1		
25	H2MS2-20301	00	Bracket ass'y	支架总成	1		
26	D03XK0195	00	Support	线束固定卡	1		
27	D03XK0367	00	Support	线束固定卡	1		
28	GM266-42061	00	Bracket	管卡支架	1		

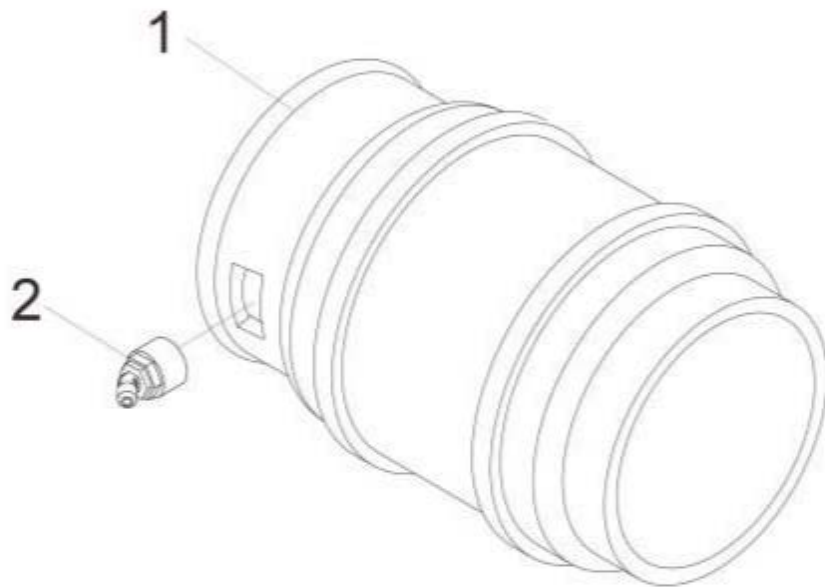
H2MS2-20021 07 LPG system

H2MS2-20021 07 液化气系统



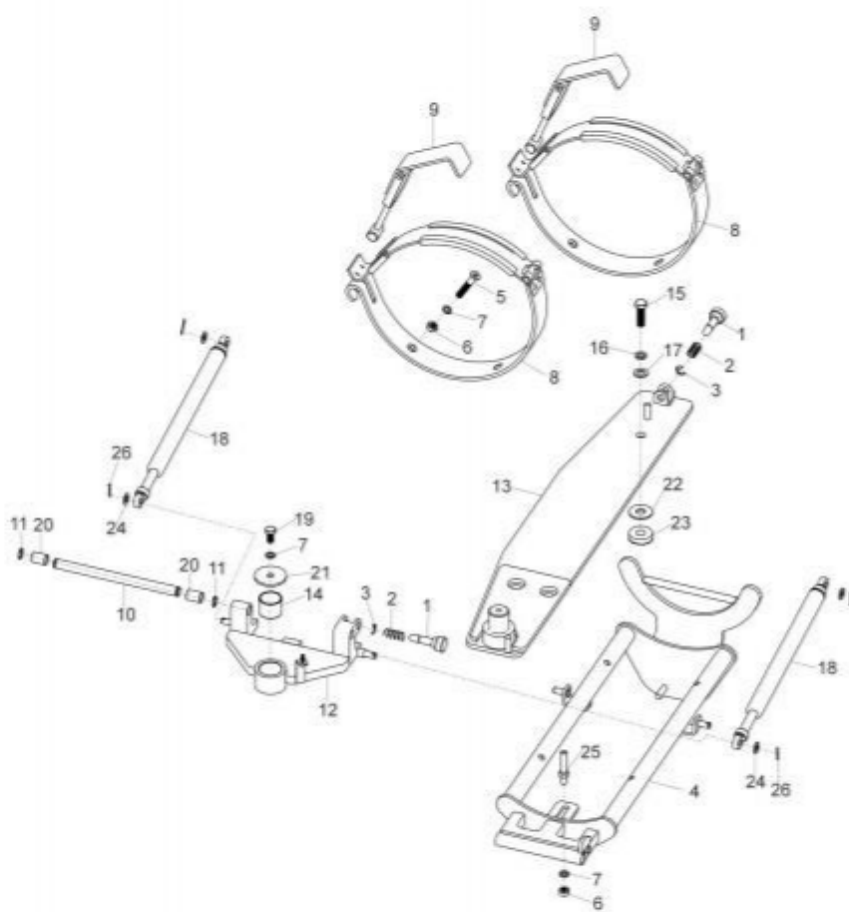
A2YQ2-20511 03 Cylinder assemblies and joints(Standard configuration of export vehicles)

A2YQ2-20511 03 钢瓶总成及接头(出口车标配)



GY392-20201 03 Rolling & tilt LPG cylinder bracket(with imported LPG cylinder)

GY392-20201 03 旋转侧翻式钢瓶支架(配进口钢瓶)



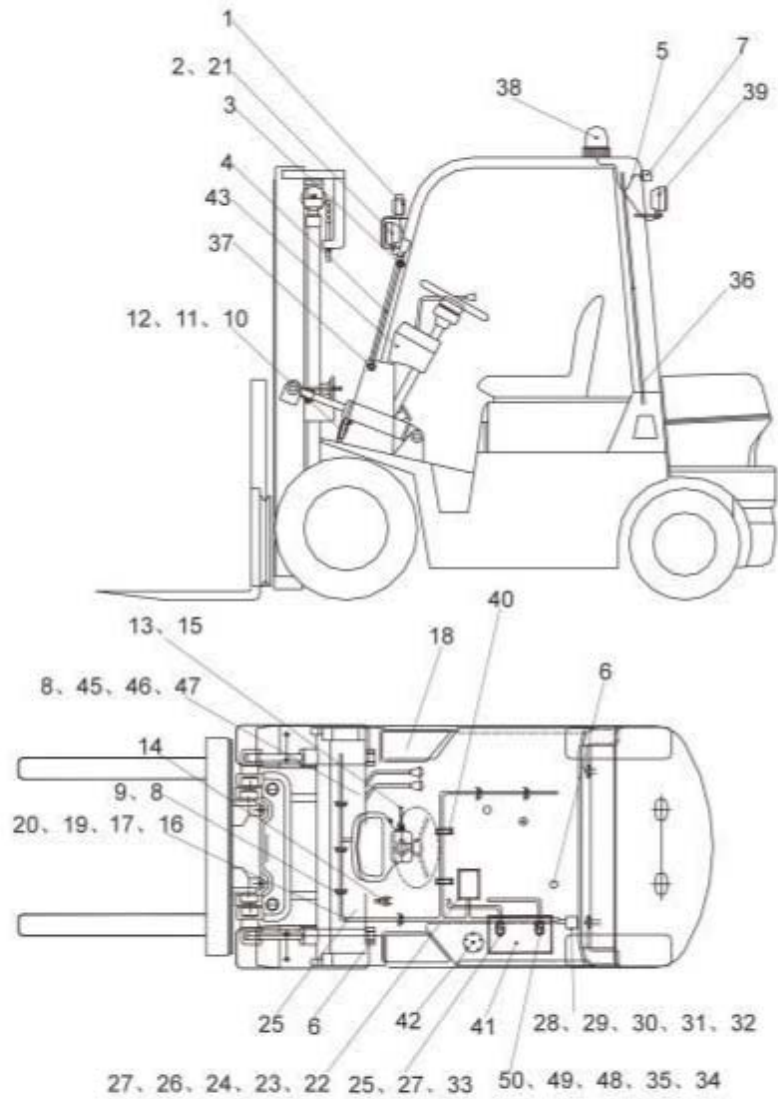
GY392-20201 03 Rolling & tilt LPG cylinder bracket(with imported LPG cylinder)

GY392-20201 03 旋转侧翻式钢瓶支架(配进口钢瓶)

序号 No.	零部件代号 Part No.	版本 Edition	名称 Part name		数量 Q'ty	备注 Remark	
1	GY392-22131	00	Knob,lever	手柄	2		
2	GY392-22191	01	Spring	弹簧	2		
3	B6250-00009	00	Snap ring 9	挡圈 9	2	GB896-86	GB896-86
4	GY392-20241	03	Reverse rack	翻转架	1		
5	B1310-10060	00	Screw M10x60GB819-85	螺钉 M10x60GB819-85	4	GB819-85	GB819-85
6	B4123-00010	00	Nut	螺母 M10	5	GB6170-86	GB6170-86
7	B5050-00010	00	Washer	垫圈 10	6	GB93-87	GB93-87
8	GY392-20501	04	Band assembly	箍体总成	2	with imported cylinders	配进口钢瓶
9	GY392-20401	03	Rotary buckler	翻转扣	2		
10	GY392-22161	01	Shaft	转轴	1		
11	B6150-00016	00	Snap ring 16	挡圈 16	2	GB894. 1-86	GB894.1-86
12	GY392-20221	04	Swivel mount	旋转架	1		
13	GY392-20231	04	Seat, valve	底座	1		
14	Z2133-03530	00	Bushing 3530	钢背轴承 3530	1	Q/AC40001- 2002	Q/AC40001- 2002
15	B0330-12040	00	Bolt	螺栓 M12x40	3	GB5783-86	GB5783-86
16	B5050-00012	00	Washer	垫圈 12	3	GB93-87	GB93-87
17	B5310-00012	00	Washer	垫圈 12	3	GB97.1-85	GB97. 1-85
18	GY392-22201	01	Gas spring	气弹簧	2		
19	B0330-10020	00	Bolt	螺栓 M10x20	1	GB5783-86	GB5783-86
20	Z2131-01625	00	Bushing	钢背轴承 16x25	2	Q/AC40001- 2002	Q/AC40001- 2002
21	GY392-22241	00	Flat pad	平垫	1		
22	A2YK0-23131	03	Shim	垫	3		
23	A2YK0-23141	02	Plastic adjusting pad	塑料调整垫	3		
24	B5310-00010	00	Washer	垫圈 10	4	GB97.1-85	GB97. 1-85
25	GY392-22391	00	Pin	定位销	1		
26	B3010-02020	00	Pin	销 2x20	4	GB91-86	GB91-86

HRK0JW2401 00 Electrical system

HRK0JW2401 00 电气系统



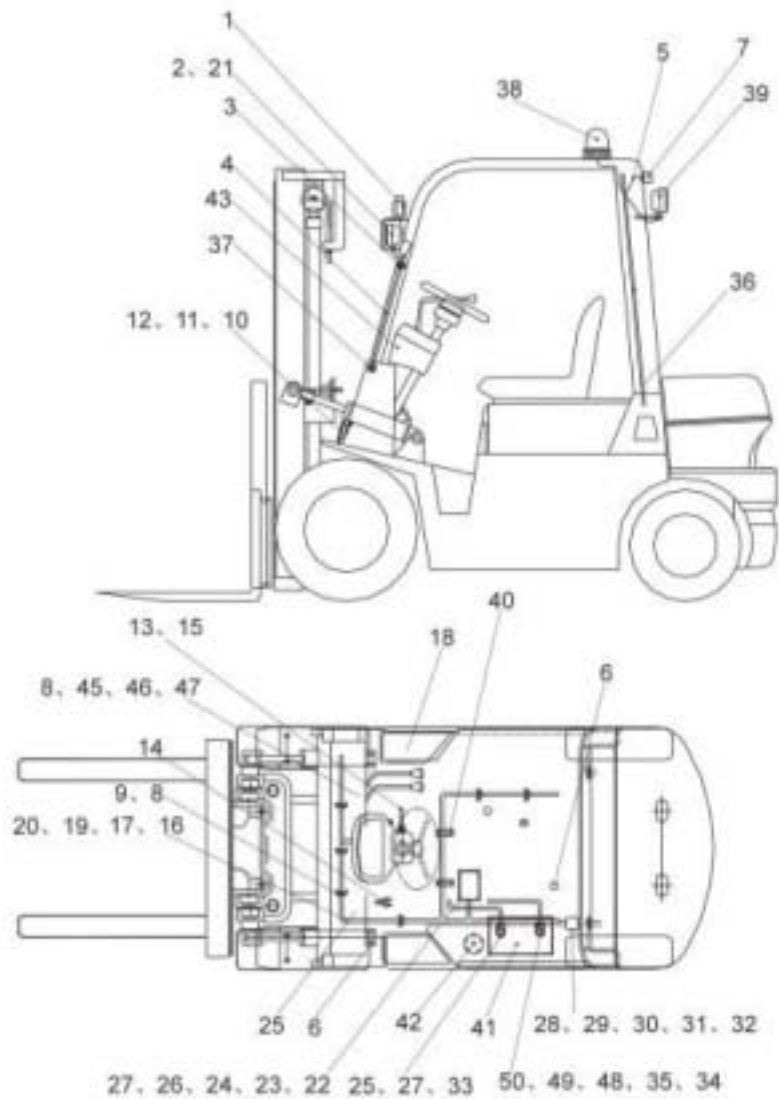
HRK0JW2401 00 Electrical system

HRK0JW2401 00 电气系统

序号 No.	零部件代号 Part No.	版本 Edition	名称 Part name		数量 Q'ty	备注 Remark	
1	Z8610-12000	02	Front signal light	前小灯	2		
2	D08HLQZD	01	LED resultant headlights	LED 合力前照灯	2		
3	A22A2-40260-2	06	Rubber ring	出线胶圈	2	HRH24C240 4	HRH24C240 4
4	23652-42071X	00	Wire harness	前灯线束	2		
5	K9FL2-43701	01	Overhead guard harness , rear	后护顶架线束	1		
6	A61Q2-40201	03	Control valve switch	多路阀控制开关	2	Two piece valve	两片阀
6	A61Q2-40201	03	Control valve switch	多路阀控制开关	3	Three piece valve	三片阀
6	A61Q2-40201	03	Control valve switch	多路阀控制开关	4	Four piece valve	四片阀
7	D08HLHWD	01	Rear combination lamp	LED 后组合灯	2		
8	H24C2-42131	01	Belt	捆扎带	8		
9	Z9260-30100	00	Belt 3X100	捆扎带 3X100	2		
10	Z8500-1D124	01	Trumpet	喇叭	1		
11	B0330-08016	00	Bolt	螺栓 M8x16	1	GB5783-86	GB5783-86
12	B5050-00008	00	Washer	垫圈 8	1	GB93-87	GB93-87
13	D06BX308	01	Fuse	熔断器总成	1		
14	D09JK205B	01	Brake switch	脚制动开关	1		
15	H2YY2-40801	02	Combination switch	组合开关	1	Electric-hydraulic	电液换向
16	K0JW2-40311	00	Wire harness,body	车身线束	1		
16	K0JW2-40321	00	Wire harness,body	车身线束	1		
17	G42N2-40101	01	Trumpet	倒车语音喇叭	1	Optional parts	选用件
18	HS2B2-40402	00	Skipping switch single box	翘班开关单框	1	Optional parts	选用件
19	D03XK3133	00	Clip	线束固定卡(Φ31- Φ33)	1		
20	K3P62-40211	00	Principle diagram	电气原理图	1		
21	HRK9FQ2425	00	Battery main switch	电源总开关	1	Option	选用
22	B1210-06016	00	Screw	螺钉 M6x16	4	GB818-85	GB818-85
23	B5050-00006	00	Washer,lock	垫圈 6	4	GB93-87	GB93-87
24	B5310-00006	00	Washer,lock	垫圈 6	4	GB97.1-85	GB97.1-85
25	D03XK0367	00	Support	线束固定卡	1		
26	D03HCKJ012G	03	Central control box	中央控制盒	1	Electric-hydraulic	电液换向用
27	D06BX304	00	Fuse	熔断器总成	1		
28	A61S2-41301	06	Back buzzer	倒车蜂鸣器	1		

HRK0JW2401 00 Electrical system

HRK0JW2401 00 电气系统



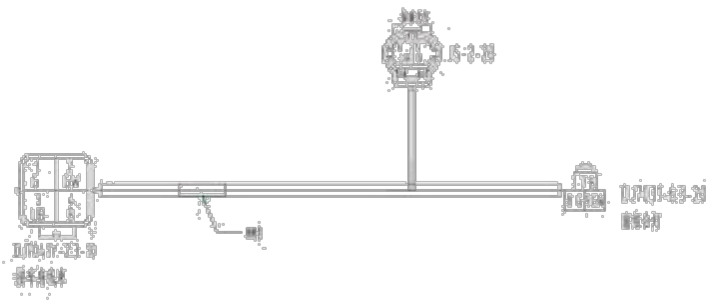
HRK0JW2401 00 Electrical system

HRK0JW2401 00 电气系统

序号 No.	零部件代号 Part No.	版本 Edition	名称 Part name		数量 Q'ty	备注 Remark	
29	B1210-06016	00	Screw	螺钉 M6x16	1	GB818-85	GB818-85
30	B5050-00006	00	Washer,lock	垫圈 6	1	GB93-87	GB93-87
31	B4123-00006	00	Nut	螺母 M6	1	GB617-86	GB617-86
32	B5310-00006	00	Washer,lock	垫圈 6	1	GB97.1-85	GB97.1-85
33	K0JW2-40241	00	Cable	电瓶引线(+)	1		
34	K0JW2-40231	00	Cable	电瓶引线(-)	1	HRK9GA24 02	HRK9GA24 02
35	K9GA2-40100	00	Car body negative	车体负极	1	HRK9GA24 02	HRK9GA24 02
36	G2KE2-43801	00	Dusty ring	防尘胶圈	1		
37	H2MD2-42801	00	Rubber ring	出线胶圈	2	For lower hole of front leg	用于前腿下 孔
38	HRK9GA2414	00	Install alarm lamp	警示灯安装	1	Optional parts	选用件
39	HRK9FQ2415	03	Rear work light mounting	后工作灯安装	1	Optional parts	选用件
40	22492-42092G	01	Clip	电瓶正极引线卡	2	For mechanical transmission vehicles	机械传动车 用
41	D016-QW-60B	00	Battery	蓄电池	1		
42	D04RG4208	01	Oil measurement sensor	油量传感器	1		
43	D04ZB908XKWZ- X	00	Combination M/T	组合仪表	1	Particular key	不通用钥匙
43	D04ZB908XKWZ- X1	00	Combination M/T	组合仪表	1	Current key	通用钥匙
43	D04ZB908XKWZ- X1-4	00	Combination M/T	组合仪表	1	With four universal key	配四把通用 钥匙用
44	H2MS2-43801	02	Fuel pressure valve transition line	燃料压力阀过渡线	1		
45	D03XK2628	00	Clip	线束固定卡(Φ26- Φ28)	4		
46	D03XK0612	00	Support	线束固定卡	2		
47	D03XK2123	00	Clip	线束固定卡(Φ21- Φ23)	9		
48	B0330-08016	00	Bolt	螺栓 M8x16	2	GB5783-86	GB5783-86
49	B5050-00008	00	Washer	垫圈 8	2	GB93-87	GB93-87
50	B5310-00008	00	Washer	垫圈 8	2	GB97.1-85	GB97.1-85
51	HS2B2-40401	02	Fuel selector switch	燃料选择开关	1	Option	选用
52	HRK9FQ2422	01	Fan mounting	电风扇安装	1	Option	选用

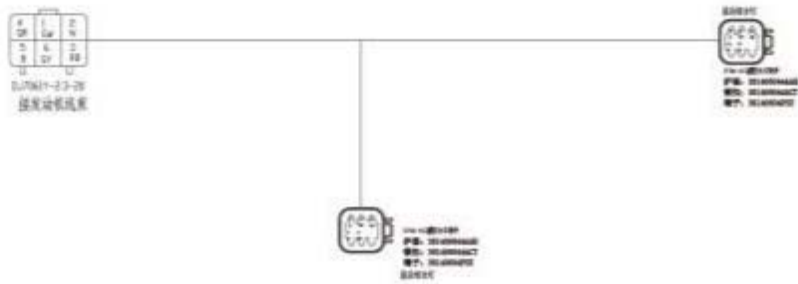
23652-42071X 00 Wire harness

23652-42071X 00 前灯线束



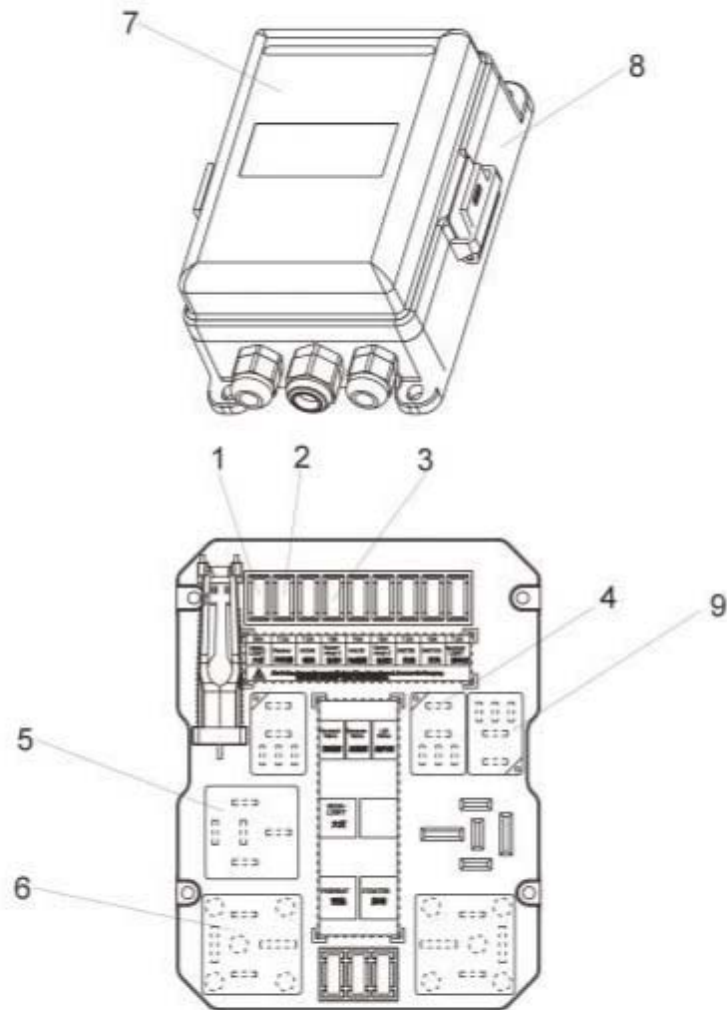
K9FL2-43701 01 Overhead guard harness , rear

K9FL2-43701 01 后护顶架线束



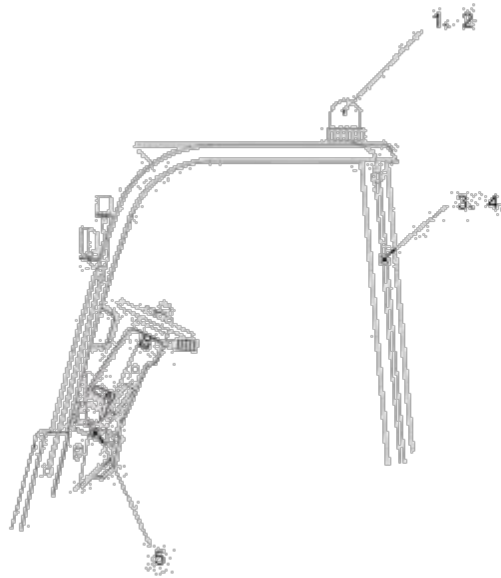
D03HCKJ012G 03 Central control box

D03HCKJ012G 03 中央控制盒



HRK9GA2414 00 Install alarm lamp

HRK9GA2414 00 警示灯安装



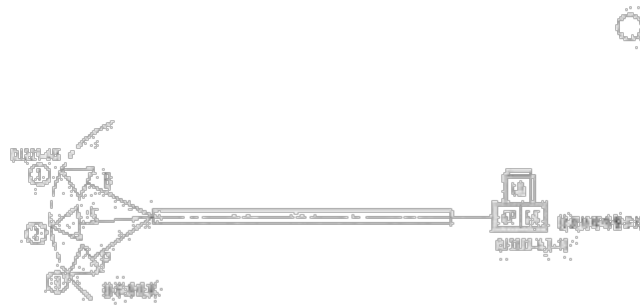
H24C2-40431 01 Install alarm harness

H24C2-40431 01 警示灯线束



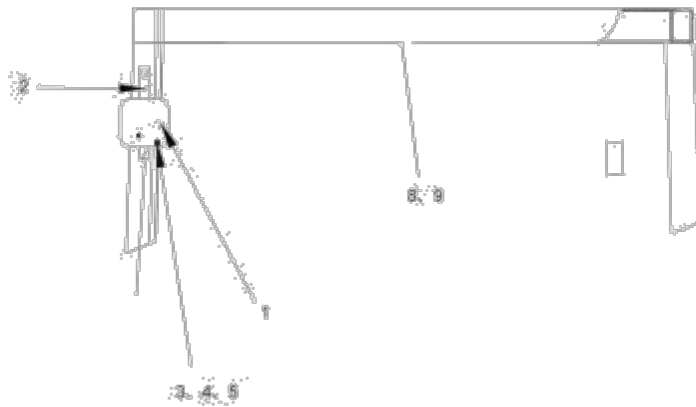
H24C2-40432 00 Install alarm harness

H24C2-40432 00 警示灯线束



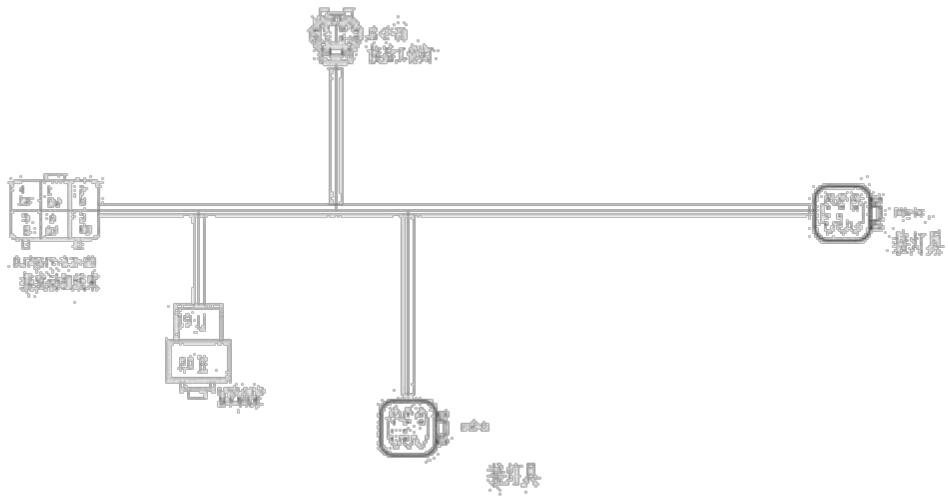
HRK9FQ2415 03 Rear work light mounting

HRK9FQ2415 03 后工作灯安装



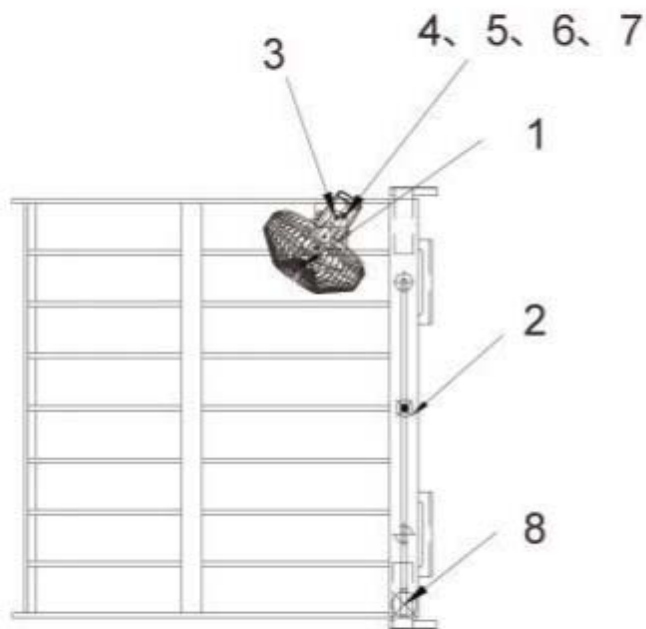
K9FL2-43701HD 01 Overhead guard harness , rear

K9FL2-43701HD 01 后护顶架线束



HRK9FQ2422 01 Fan mounting

HRK9FQ2422 01 电风扇安装



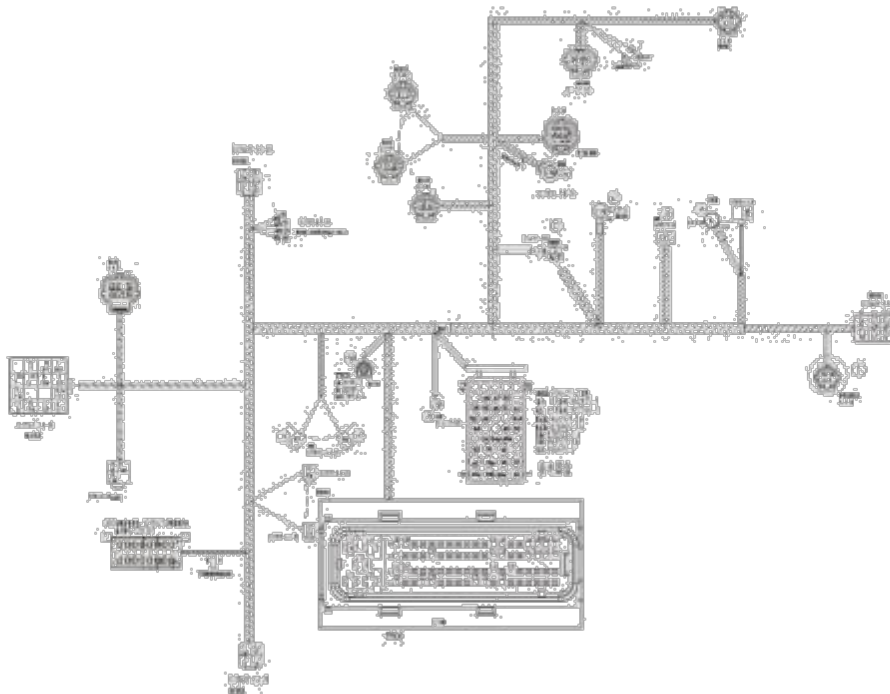
K9FQ2-40212 01 Electric fan wiring harness

K9FQ2-40212 01 电风扇线束



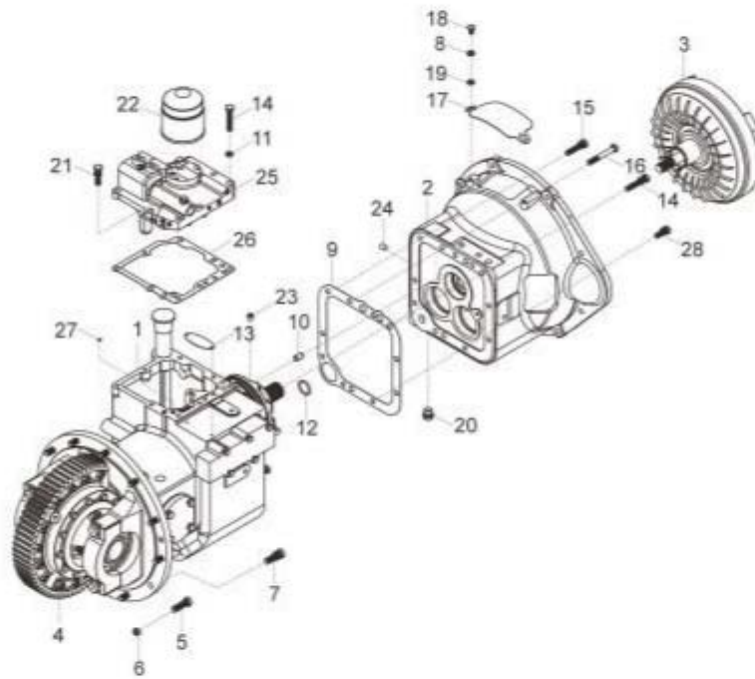
HRK9FQ2418 07 Electric fan body harness assembly

HRK9FQ2418 07 电风扇车身线束总成



H25S3-80501 08 Transmission unit(electric-hydraulic)

H25S3-80501 08 传动装置(电液换向)



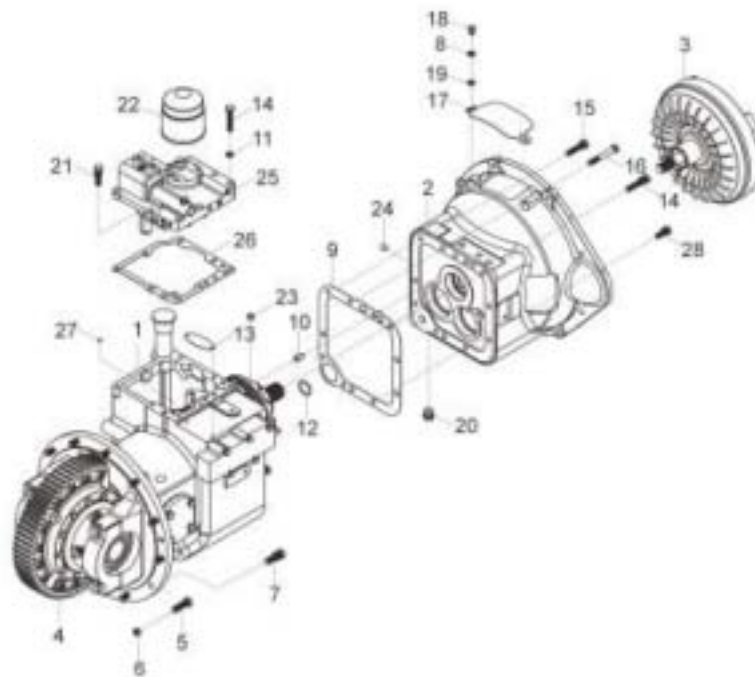
H25S3-80501 08 Transmission unit(electric-hydraulic)

H25S3-80501 08 传动装置(电液换向)

序号 No.	零部件代号 Part No.	版本 Edition	名称 Part name		数量 Q'ty	备注 Remark	
1	H25S3-80311	06	Hydraulic transmission	液力变速箱	1		
2	H25S3-82001	07	Torque-converter case	变矩器壳体	1		
3	H25S3-20001	04	Torque-converter	液力变矩器/YJH265H	1		
4	H24C3-50201	08	Reducer and differential	减速器与差速器	1		
5	B0530-10035	00	Bolt	螺栓 M10x1.25x35	2	GM、GCT engine	GM、GCT engine
5	B0530-10035	00	Bolt	螺栓 M10x1.25x35	7	GB5786-86	GB5786-86
6	B4123-00010	00	Nut	螺母 M10	6	GM、GCT engine	GM、GCT engine
6	B4123-00010	00	Nut	螺母 M10	1	GB6170-86	GB6170-86
7	B0530-12040-X1	00	Combined bolt M12x1.25x40	组合螺栓 M12x1.25x40	12	GB5786,GB93	GB5786,GB93
8	B5050-00008	00	Washer	垫圈 8	2	GB93-87	GB93-87
9	11243-82501	04	Washer	垫片	1		
10	H2MD3-82021	00	Pin 12X20	销 12X20	2		
11	B5050-00010	00	Washer	垫圈 10	6	GB93-87	GB93-87
12	Z6003-01502	00	O-ring 15*2.4	O 形密封圈 15*2.4	2	GB1235-76	GB1235-76
13	6TY10-06-05	03	Decal	变速箱铭牌	1		
14	B0230-10055-X1	00	Combined bolt M10x55	组合螺栓 M10x55	7	GB5782, GB93	GB5782, GB93
14	B0230-10055-X1	00	Combined bolt M10x55	组合螺栓 M10x55	6	GM、GCT engine	GM、GCT engine
15	B0330-10050-X1	00	Combined bolt M10x50	组合螺栓 M10x50	2	GB/T9074.1 5-88	GB/T9074.1 5-88
15	B0330-10050-X1	00	Combined bolt M10x50	组合螺栓 M10x50	7	GM、GCT engine	GM、GCT engine
16	B0230-10075-X1	00	Combined bolt M10x75	组合螺栓 M10x75	1	GB5782,GB93	GB5782,GB93
17	15583-83611	03	Torque-converter cover	变矩器盖	1		
18	B0330-08020	00	Bolt	螺栓 M8x20	2	GB5783-86	GB5783-86
19	B5310-00008	00	Washer	垫圈 8	2	GB97.1-85	GB97.1-85
20	H25S3-84001A	00	Plug	螺塞总成	1		
21	B0330-10040-X1	00	Combined bolt M10x40	组合螺栓 M10x40	5	GB/T9074.1 5-88	GB/T9074.1 5-88
22	12163-82301	02	Oil filter	滤油器(II)	1		
23	22518-40151C	00	Plug	堵头总成	2		
24	22193-03001	02	Plug	堵塞	2		
25	H25S3-80601	02	Control valve assembly	电磁控制阀总成	1		
26	11243-82531	02	Washer	垫片	1		
27	Z6003-00901	00	O-ring	O 形圈 9*1.9	2	GB1235.1-76	GB1235.1-76

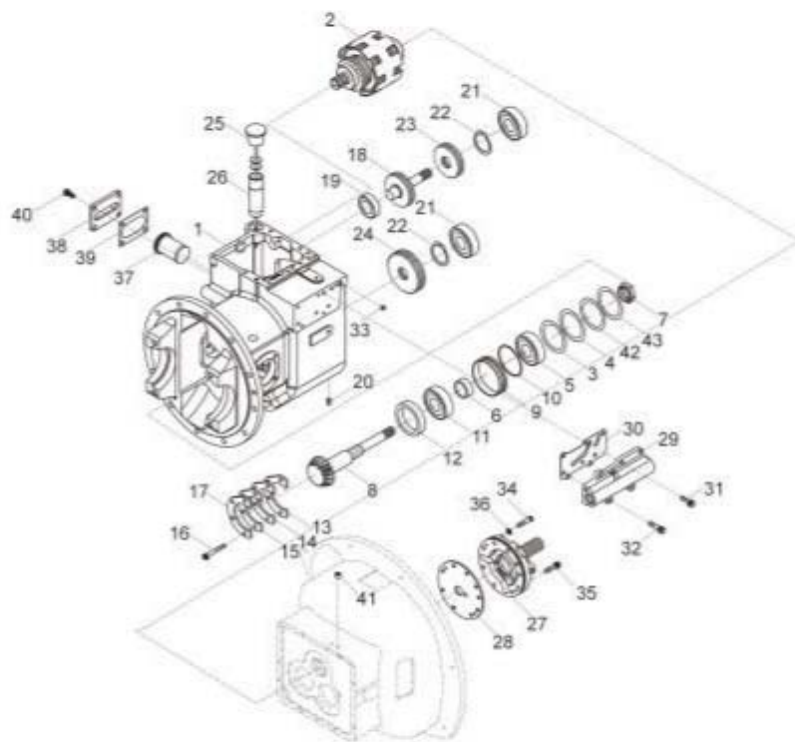
H25S3-80501 08 Transmission unit(electric-hydraulic)

H25S3-80501 08 传动装置(电液换向)



H25S3-80311 06 Hydraulic transmission

H25S3-80311 06 液力变速箱



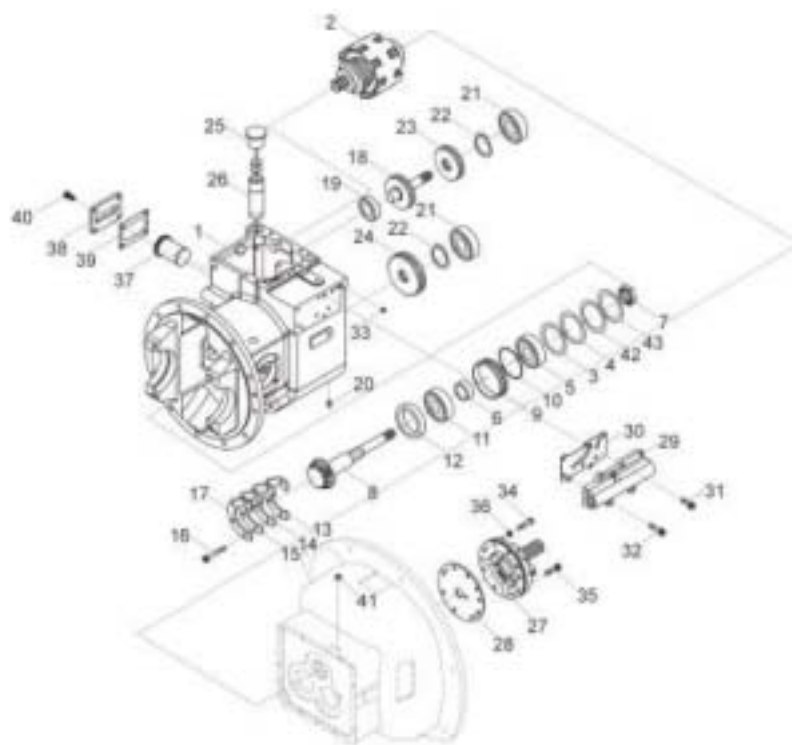
H25S3-80311 06 Hydraulic transmission

H25S3-80311 06 液力变速箱

序号 No.	零部件代号 Part No.	版本 Edition	名称 Part name		数量 Q'ty	备注 Remark	
1	120M3-82011	13	Transmission case	液力变速箱箱体	1		
2	14883-80201	04	Clutch,hydraulic	液力离合器总成	1		
3	12163-82501	02	Shim	垫	2		
4	12163-82551	00	Washer	垫片	2		
5	Z-30208	00	Bearing 30208	轴承 30208	1	GB/T297-94	GB/T297-94
6	12163-82131	01	Skeleton oil seal DCY/40*62*8/ 10	骨架油封 DCY/40*62*8/ 10	1		
7	11243-82621	01	Nut	开花螺母	1		
8	14463-42001	07	Shaft,output	液力伞齿轮轴	1		
9	12163-82121	01	Bracket	油封保持架	1		
10	Z6003-08003	00	O-ring 80*3. 1	O 形密封圈 80*3. 1	1	GB1235-76	GB1235-76
11	Z-32208	00	Bushing	圆锥滚子轴承 32208	1	GB/T297-94	GB/T297-94
12	12163-82191	01	Collar	轴环	1		
13	12163-82571	01	Washer	垫片	1		
14	12163-82581	01	Washer	垫片	1		
15	12163-82591	01	Washer	垫片	1		
16	B0330-08020-X1	00	Combined bolt	组合螺栓 M8x20	4	GB/T9074. 1 5-88	GB/T9074. 1 5-88
17	12163-82151	02	Plate,bearing support	支承片	1		
18	12163-42201	02	Shaft,idler	惰轮轴	1		
19	Z-6206E	00	Bearing 6206E	轴承 6206E	1	GB/T276-94	GB/T276-94
20	22193-03001	02	Plug	堵塞	1		
21	Z-6207	00	Bearing	轴承	2		
22	B6050-00024	00	Snap ring 24	挡圈 24	2	GB893. 1-86	GB893.1-86
23	12163-42211	02	Cear,reverse idler	惰轮	1		
24	12163-42231	02	Gear,output	输出齿轮	1		
25	12163-82232	03	Cap	变速箱加油口盖	1		
26	12163-82221	03	Pipe	加油管	1		
27	15583-80221	02	Oil supply pump assembly	供油泵总成	1		
28	15583-82201	02	Washer	垫片	1		
29	15583-80202	06	Inching valve assembly	微动阀总成	1		
30	15583-82081	02	Gasket	衬垫	1		
31	B0330-08025-X1	00	Combined bolt	组合螺栓 M8x25	3	GB/T9074. 1 5-88	GB/T9074. 1 5-88

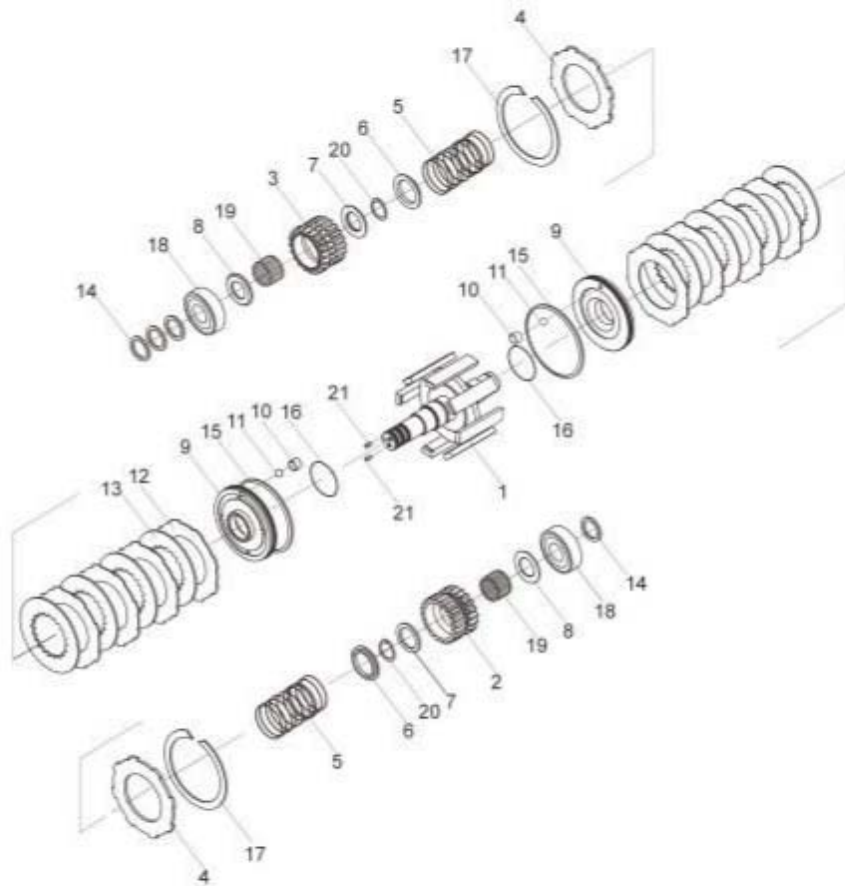
H25S3-80311 06 Hydraulic transmission

H25S3-80311 06 液力变速箱



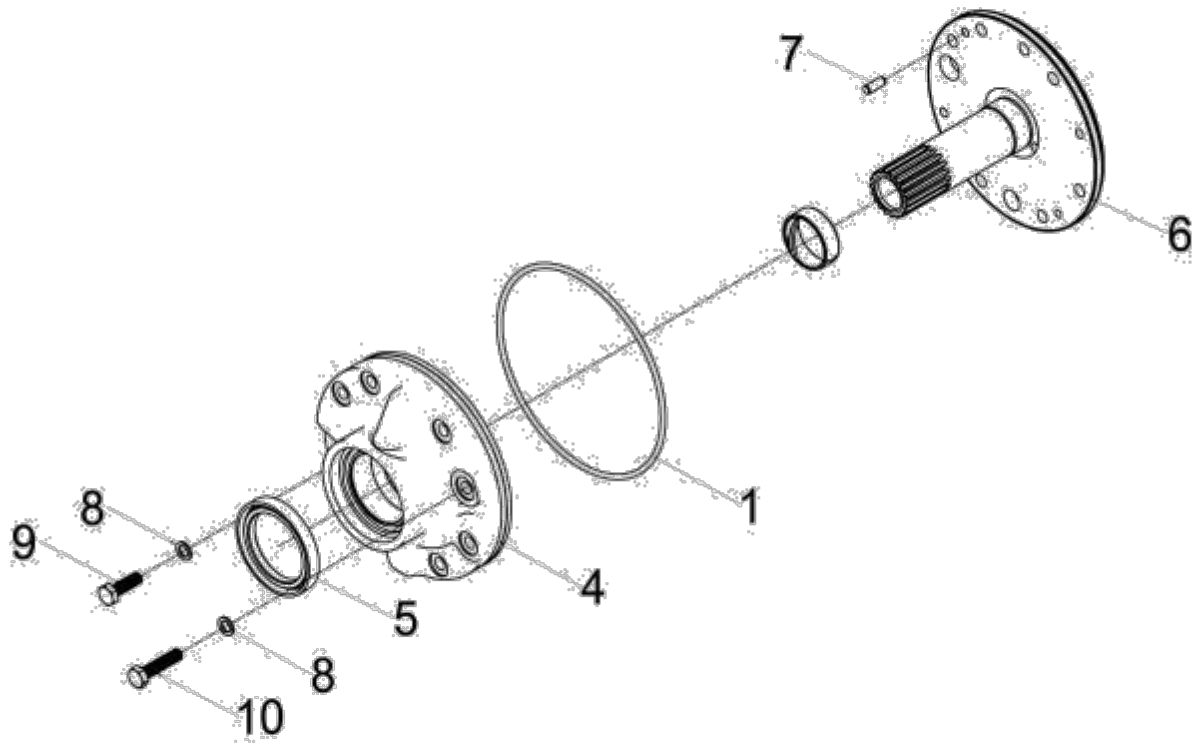
14883-80201 04 Clutch,hydraulic

14883-80201 04 液力离合器总成



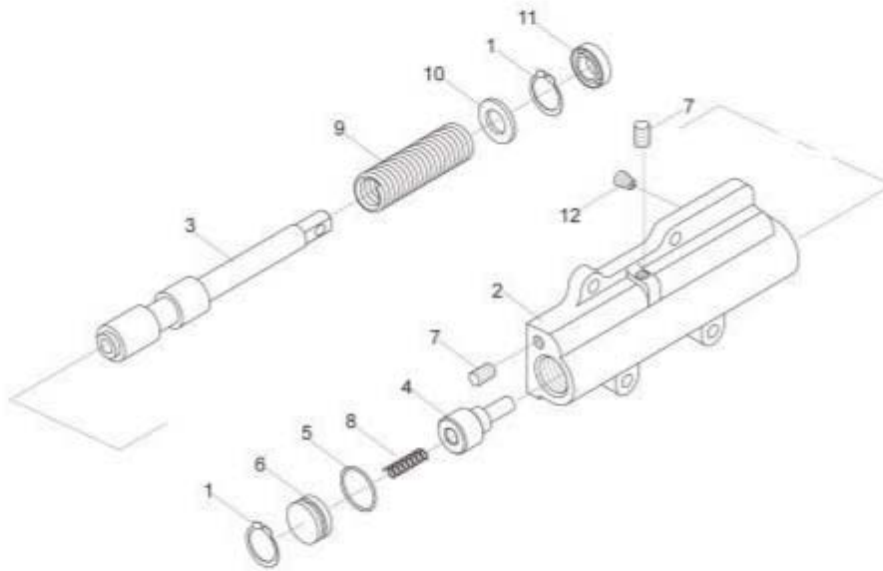
15583-80221 02 Charging pump assembly

15583-80221 02 供油泵总成



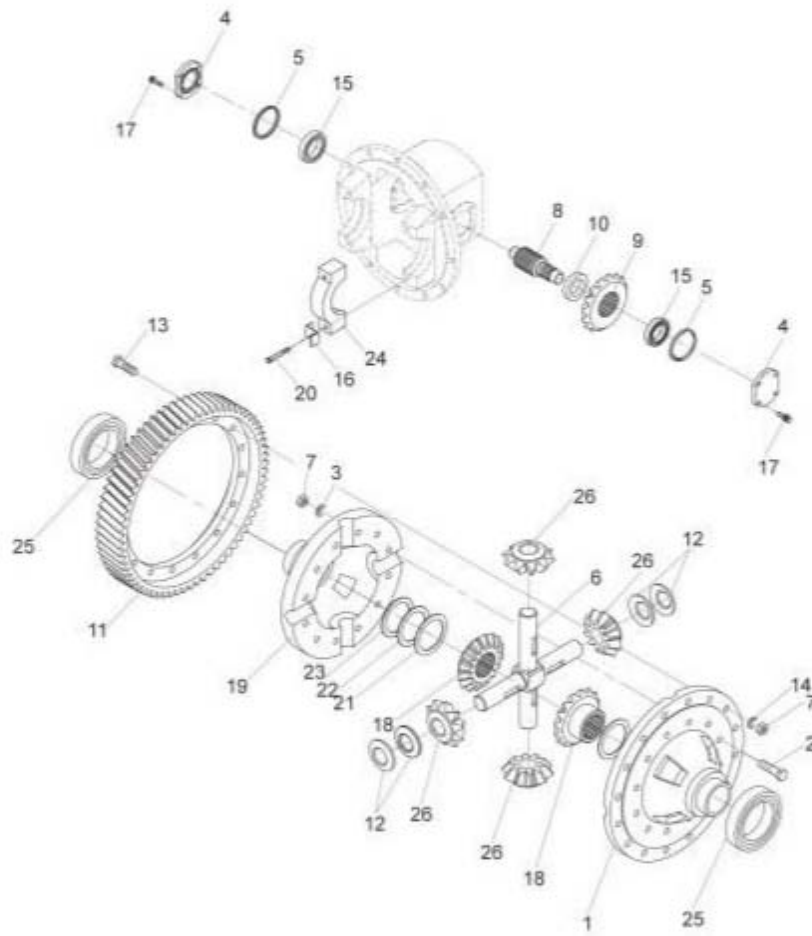
15583-80202 05 Inching valve assembly

15583-80202 05 微动阀总成



H24C3-50201 08 Reducer and differential

H24C3-50201 08 减速器与差速器



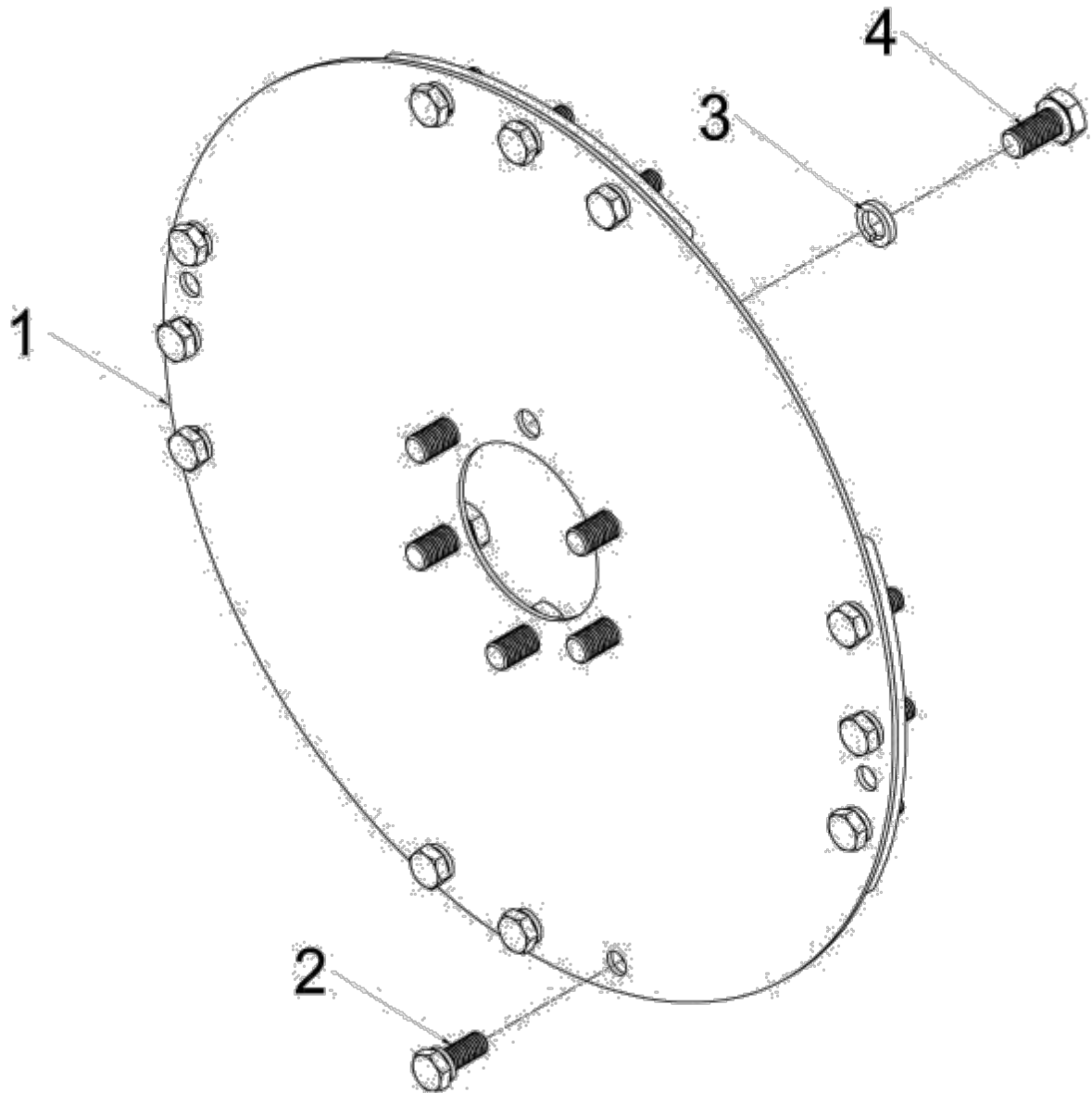
H24C3-50201 08 Reducer and differential

H24C3-50201 08 减速器与差速器

序号 No.	零部件代号 Part No.	版本 Edition	名称 Part name		数量 Q'ty	备注 Remark	
1	14453-52032	07	Case,cross(left)	左差速器壳	1		
2	14453-52041	01	Bolt	螺栓	12		
3	14453-52061	02	Lock-plate	锁片	6		
4	12003-22051	05	Bearing cover	轴承盖	2		
5	15413-22081	02	Washer	垫片	2		
6	14453-52101A	05	Cross axle	十字轴	1		
7	B4223-00010	00	Nut	螺母 M10x1.25	28	GB6171-86	GB6171-86
8	14453-22011	03	Terminal helical gear axis	终端斜齿轮轴	1		
9	14453-22021	07	Spiral bevel gear	螺旋伞齿轮	1		
10	12003-22041	03	Bushing	衬套	1		
11	14453-52011	06	Gear ring	齿圈	1		
12	16113-52121	02	Washer,thrust	止推垫圈	4		
13	14453-52051	03	Bolt	螺栓	16		
14	10113-50141	02	Lock-plate	锁片	8		
15	Z-32207	00	Bushing	轴承 32207	2	GB/T297-94	GB/T297-94
16	14453-52111	03	Lock-plate	锁片	4		
17	B0330-10025-X1	00	Combined bolt	组合螺栓 M10x25	8	GB/T9074. 1 5-88	GB/T9074. 1 5-88
18	H24C3-52001	03	Gear,side	半轴齿轮	2		
19	14453-52022	11	Case,cross(right)	右差速器壳	1		
20	15413-22021	01	Bolt	螺栓	4		
21	16113-52141	02	Mat	半轴齿轮垫	2		
22	14453-52071	02	Mat	半轴齿轮垫	2		
23	14453-52081	02	Mat	半轴齿轮垫	2		
24	14453-22031	02	Cap,bushing	轴承座	2		
25	Z-6213	00	Bearing 6213	轴承 6213	2	GB/T276-94	GB/T276-94
26	16113-52112	03	Planet gear	行星齿轮	4		

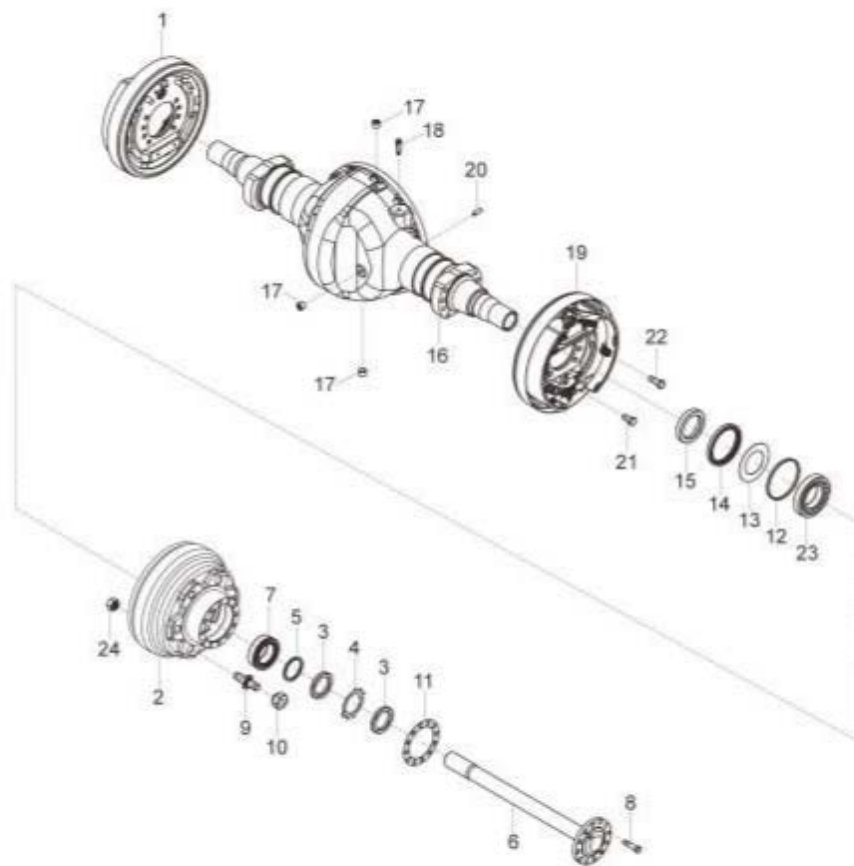
H2MD3-80011 02 Elastic plate assembly

H2MD3-80011 02 弹性板组件



H9DL3-00001 02 Drive axle assembly

H9DL3-00001 02 驱动桥总成



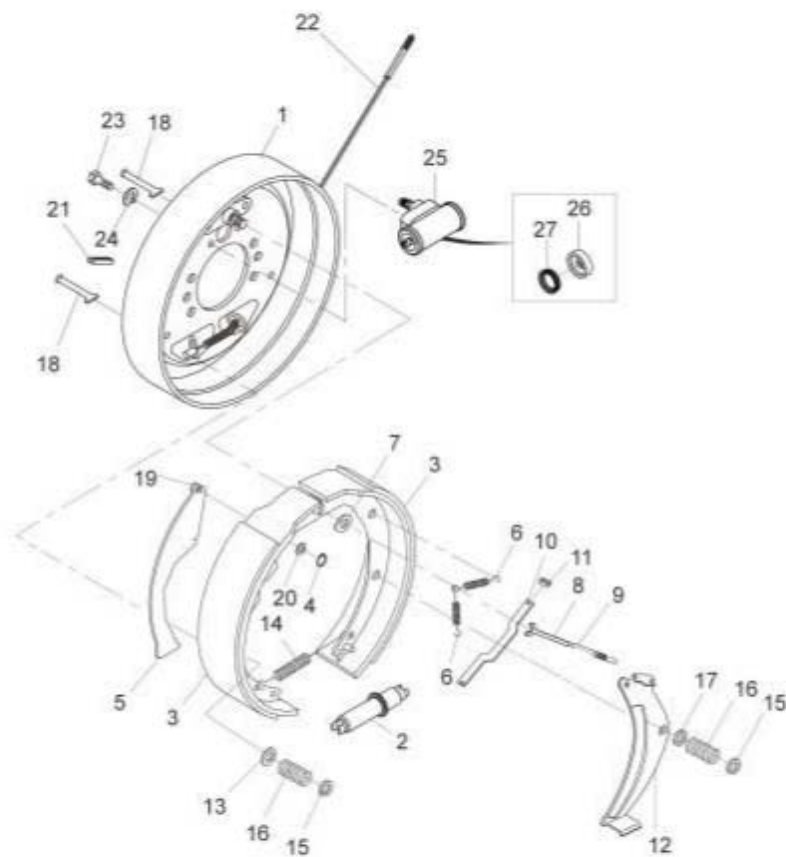
H9DL3-00001 02 Drive axle assembly

H9DL3-00001 02 驱动桥总成

序号 No.	零部件代号 Part No.	版本 Edition	名称 Part name		数量 Q'ty	备注 Remark	
1	REF000560R	02	Wheel brake assembly(right)	制动器总成(右)	1		
2	H9DL3-02011	02	Hub	整体式制动鼓轮毂 (2-2.5t)	2		
3	A7S33-02331	01	Nut	圆螺母 M75X2	4		
4	B5512-00075	00	Washer 75	垫圈 75	2	GB858-88	GB858-88
5	HK2S3-02031	03	U-shaped seal 48x62x10	U 型密封圈 48x62x10	2		
6	H9BA3-02011	03	Half,shaft	半轴	2		
7	Z-32015	00	Bearing 32015	轴承 32015	2	GB/T297-94	GB/T297-94
8	24453-02061	03	Bolt	螺栓	24		
9	24353-72001	03	Bolt	柱螺栓	12		
10	24354-32311	01	Nut	锥螺母	12		
11	H24N3-02081	01	Packing	半轴垫(双胎)	2		
12	H24N3-02061	01	Snap ring	挡环	2		
13	H24N3-02071	02	Ring	挡油环	2		
14	H9BA3-02051	00	Ring,seal	油封	2		
15	H9BA3-02061	01	Snap ring	油封挡圈	2		
16	H9BA3-02001	04	Housing,axle	桥壳(2~3.5t)	1		
17	22193-03001	02	Plug	堵塞	3		
18	22253-02063C	01	Breather plug	透气塞	1		
19	REF000560L	02	Wheel brake ass'y(left)	制动器总成(左)	1		
20	B3120-10030	00	Pin B10x30	销 B10x30	1	GB119-86	GB119-86
21	A22A3-02051	03	Bolt	螺栓	12		
22	25953-72001	03	Bolt	螺栓	4		
23	Z-32216	00	Bearing	轴承	2	GB/T297-94	GB/T297-94
24	B4223-00020	00	Nut	螺母 M20x1.5	12	GB6171-86	GB6171-86

REF000560R 02 Brake assembly, right

REF000560R 02 制动器总成右



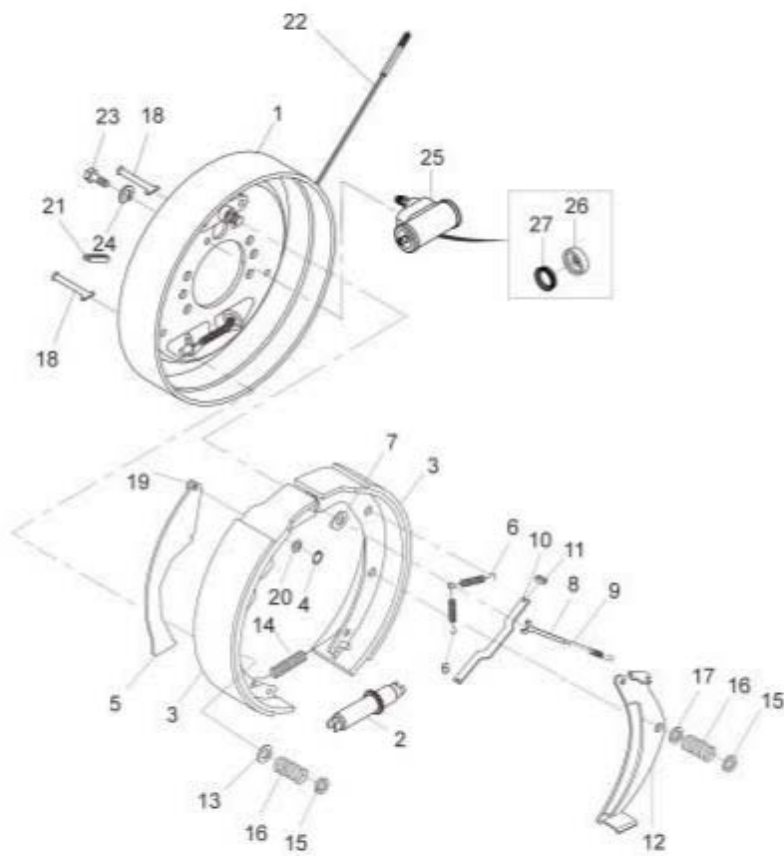
REF000560R 02 Brake assembly, right

REF000560R 02 制动器总成右

序号 No.	零部件代号 Part No.	版本 Edition	名称 Part name		数量 Q'ty	备注 Remark	
1	23653-73111	00	Back plate ass'y R.H.	制动器底板总成右	1		
2	23653-72441	00	Adjust R.H.	间隙调整器右	1		
3	23653-73021	01	Brake shoe & friction plate assembly	制动蹄带摩擦片总成	2		
4	A01C3-72621	00	Snap ring,pin axle	杆销挡圈	1		
5	23653-72071A	00	Lever brake R.H.	手制动拉杆右	1		
6	23673-72261	00	Spring,return	回位弹簧	2		
7	23653-72131	00	Plate	导向板	1		
8	23653-72161	00	Stopper,pole lever	顶杆	1		
9	23653-72171	00	Spring,return	回位弹簧	1		
10	23653-72081	00	Strut	手推杆	1		
11	22673-72391	00	Spring	压缩弹簧	1		
12	23653-72151G	00	Lever pole R.H.	调整杠杆右	1		
13	23653-72191	00	Spring seat	压簧座	3		
14	23653-72051	00	Spring	2T 蹄片间回位弹簧	1		
15	23653-72111	00	Compression spring cap	压簧盖	4		
16	23653-72091	00	2T Spring	2T 压簧	4		
17	23653-72121	00	Spring seat	压簧座	1		
18	23653-72101	00	Pull rod	压簧拉杆	4		
19	22673-72231	00	Pin,lever	支承销	1		
20	A01C3-72611	00	Spring shim	弹性垫片	1		
21	24433-70040G	00	Plug	胶塞	1		
22	OC11246-24603	00	Cable	制动钢索总成(右)	1		
22	OC11246-24604	00	Cable	制动钢索总成	1	Japanese brake, 2-2.5t	日本制动器,2-2.5t
23	B0330-08016	00	Bolt	螺栓 M8x16	2	GB5783-86	GB5783-86
24	B5050-00008	00	Washer	垫圈 8	2	GB93-87	GB93-87
25	22673-72031	00	Wheel cylinder ass'y R H	制动分泵总成右	1	Include 26,27	包含 26,27
26	22673-72101	00	Cover,dust	制动分泵护罩	2		
27	22673-72081G	01	Cup,piston	分泵皮碗	2		

REF000560L 02 Brake assembly, left

REF000560L 02 制动器总成左



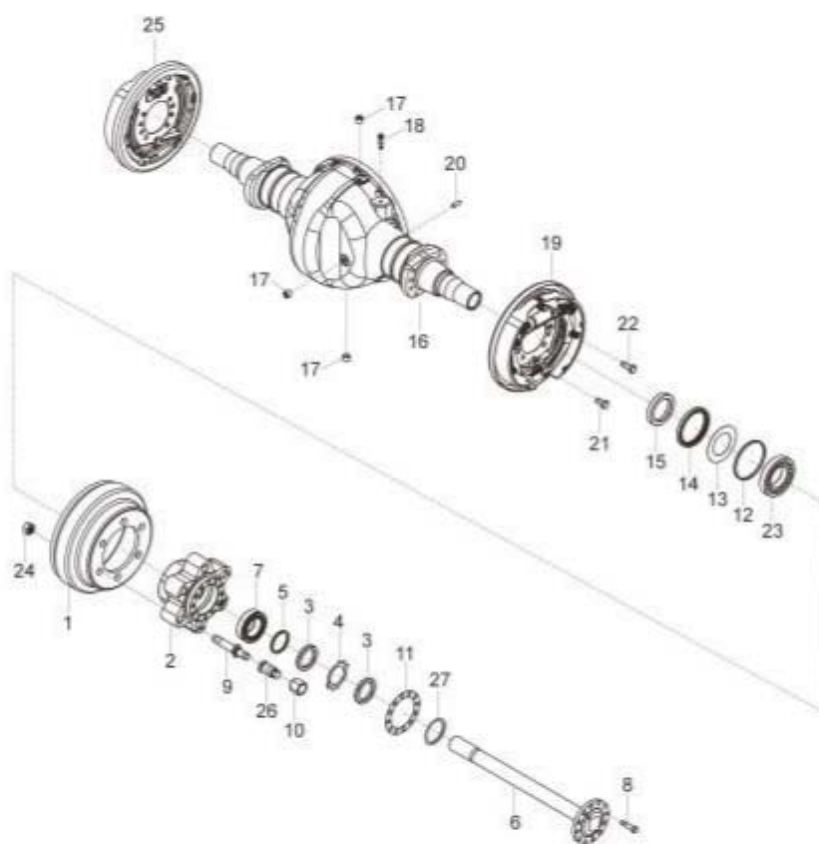
REF000560L 02 Brake assembly, left

REF000560L 02 制动器总成左

序号 No.	零部件代号 Part No.	版本 Edition	名称 Part name		数量 Q'ty	备注 Remark	
1	23653-73011	00	Back plate assembly	制动器底板总成	1		
2	23653-72041	00	Clearance adjuster	间隙调整器	1		
3	23653-73021	01	Brake shoe & friction plate assembly	制动蹄带摩擦片总成	2		
4	A01C3-72621	00	Snap ring,pin axle	杆销挡圈	1		
5	23653-72071G	00	Lever brake L.H.	手制动拉杆左	1		
6	23673-72261	00	Spring,return	回位弹簧	2		
7	23653-72131	00	Plate	导向板	1		
8	23653-72161	00	Stopper,pole lever	顶杆	1		
9	23653-72171	00	Spring,return	回位弹簧	1		
10	23653-72081	00	Strut	手推杆	1		
11	22673-72391	00	Spring	压缩弹簧	1		
12	23653-72151	00	Lever pole L.H.	2T 调整杠杆 (左)	1		
13	23653-72191	00	Spring seat	压簧座	3		
14	23653-72051	00	Spring	2T 蹄片间回位弹簧	1		
15	23653-72111	00	Compression spring cap	压簧盖	4		
16	23653-72091	00	2T Spring	2T 压簧	4		
17	23653-72121	00	Spring seat	压簧座	1		
18	23653-72101	00	Pull rod	压簧拉杆	4		
19	22673-72231	00	Pin,lever	支承销	1		
20	A01C3-72611	00	Spring shim	弹性垫片	1		
21	24433-70040G	00	Plug	胶塞	1		
22	OC11246-14604	00	Cable	制动钢索总成	1	Japanese brake, 2-2.5t	日本制动器,2-2.5t
22	OC11246-14603	00	Cable	制动钢索总成 (左)	1		
23	B0330-08016	00	Bolt	螺栓 M8x16	2	GB5783-86	GB5783-86
24	B5050-00008	00	Washer	垫圈 8	2	GB93-87	GB93-87
25	22673-72041	00	Wheel cylinder ass'y L H	制动分泵 左 1047	1	Include 26,27	包含 26,27
26	22673-72101	00	Cover,dust	制动分泵护罩	2		
27	22673-72081G	01	Cup,piston	分泵皮碗	2		

HRH24C3005 05 Drive axle assembly (double tyre manual brake)

HRH24C3005 05 驱动桥总成（双胎人力制动）



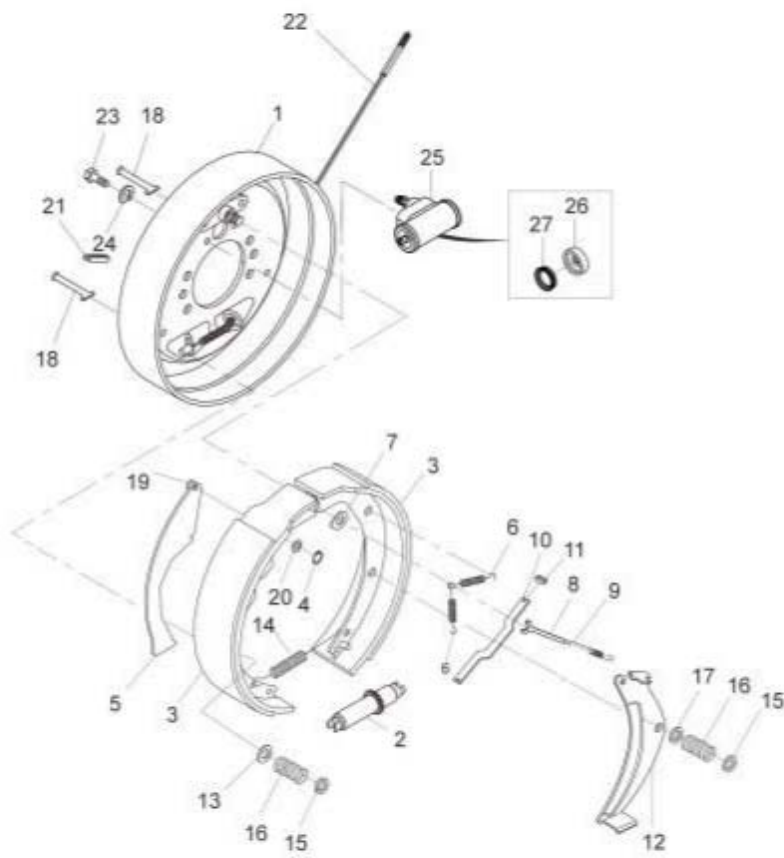
HRH24C3005 05 Drive axle assembly (double tyre manual brake)

HRH24C3005 05 驱动桥总成（双胎人力制动）

序号 No.	零部件代号 Part No.	版本 Edition	名称 Part name		数量 Q'ty	备注 Remark	
1	22673-02031G2	01	Drum,brake	制动毂	2	Manual brake	人力制动
2	A22A3-02071	00	Hub,wheel	轮毂	2		
3	B4732-00060	00	Nut M60x2	螺母 M60x2	4	GB810-88	GB810-88
4	B5512-00060	00	Washer 60	垫圈 60	2	GB858-88	GB858-88
5	23453-02091	01	Shim	垫	2		
6	H24C3-02001	02	Half,shaft	半轴	2		
7	23453-02071G	01	Bearing	轴承	2		
8	24453-02061	03	Bolt	螺栓	24		
9	24353-72001G2	01	Bolt	螺栓	12		
10	24463-00060G2	00	Nut	双胎球螺母	12		
11	A22A3-02031	05	Packing	半轴垫	2		
12	22493-00020G	01	Washer	备用垫	2		
13	22493-00030G	02	Retainer	挡油圈	2		
14	Z6311-10014	00	Skeleton oil seal	骨架油封	2	GB9877. 1-8 8	GB9877. 1-8 8
15	24453-02121G	05	Snap ring	油封挡圈	2		
16	A22A3-02041	10	Housing,axle	驱动桥壳	1		
17	22193-03001	02	Plug	堵塞	3		
18	22253-02063C	01	Breather plug	透气塞	1		
19	REF000560L	02	Brake assembly, left	制动器总成左	1		
20	B3120-10030	00	Pin B10x30	销 B10x30	1	GB119-86	GB119-86
21	A22A3-02051	03	Bolt	螺栓	12		
22	25953-72001	03	Bolt	螺栓	4		
23	Z-30214	00	Bearing	轴承 30214	2	GB/T297-94	GB/T297-94
24	B4223-00020	00	Nut	螺母 M20x1.5	12	GB6171-86	GB6171-86
25	REF000560R	02	Brake assembly, right	制动器总成右	1		
26	24463-00050G2	00	Nut	柱螺母	12		
27	Z6008-69571	00	O-ring 69.57x1.78	O 型圈 69.57x1.78	2	AS 568	AS 568

REF000560L 02 Brake assembly, left

REF000560L 02 制动器总成左



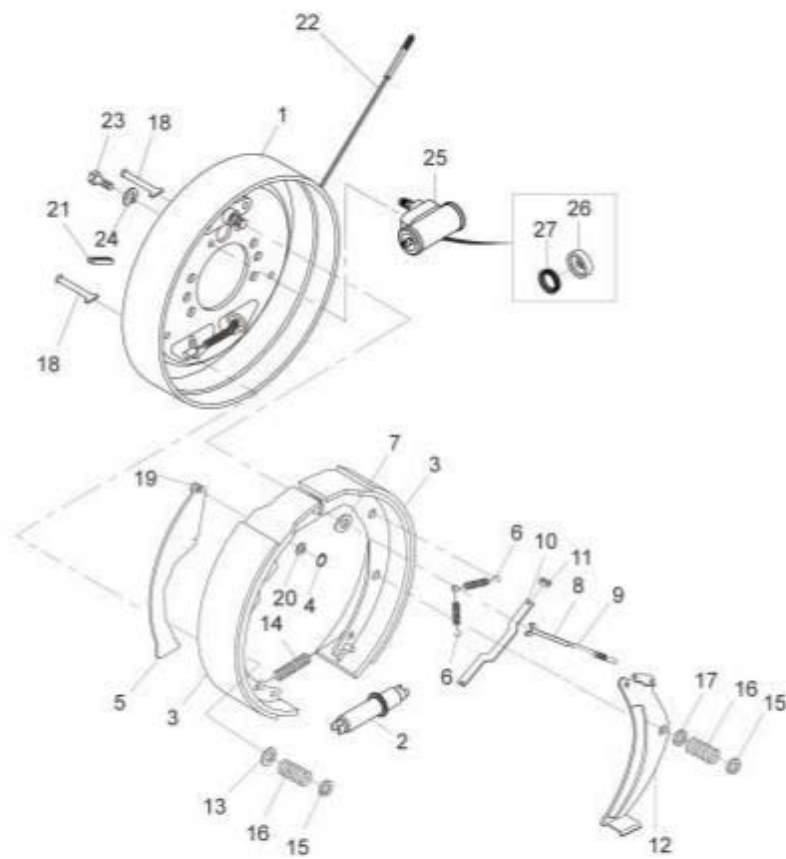
REF000560L 02 Brake assembly, left

REF000560L 02 制动器总成左

序号 No.	零部件代号 Part No.	版本 Edition	名称 Part name		数量 Q'ty	备注 Remark	
1	23653-73011	00	Back plate assembly	制动器底板总成	1		
2	23653-72041	00	Clearance adjuster	间隙调整器	1		
3	23653-73021	01	Brake shoe & friction plate assembly	制动蹄带摩擦片总成	2		
4	A01C3-72621	00	Snap ring,pin axle	杆销挡圈	1		
5	23653-72071G	00	Lever brake L.H.	手制动拉杆左	1		
6	23673-72261	00	Spring,return	回位弹簧	2		
7	23653-72131	00	Plate	导向板	1		
8	23653-72161	00	Stopper,pole lever	顶杆	1		
9	23653-72171	00	Spring,return	回位弹簧	1		
10	23653-72081	00	Strut	手推杆	1		
11	22673-72391	00	Spring	压缩弹簧	1		
12	23653-72151	00	Lever pole L.H.	2T 调整杠杆 (左)	1		
13	23653-72191	00	Spring seat	压簧座	3		
14	23653-72051	00	Spring	2T 蹄片间回位弹簧	1		
15	23653-72111	00	Compression spring cap	压簧盖	4		
16	23653-72091	00	2T Spring	2T 压簧	4		
17	23653-72121	00	Spring seat	压簧座	1		
18	23653-72101	00	Pull rod	压簧拉杆	4		
19	22673-72231	00	Pin,lever	支承销	1		
20	A01C3-72611	00	Spring shim	弹性垫片	1		
21	24433-70040G	00	Plug	胶塞	1		
22	OC11246-14604	00	Cable	制动钢索总成	1	Japanese brake, 2-2.5t	日本制动器,2-2.5t
22	OC11246-14603	00	Cable	制动钢索总成 (左)	1		
23	B0330-08016	00	Bolt	螺栓 M8x16	2	GB5783-86	GB5783-86
24	B5050-00008	00	Washer	垫圈 8	2	GB93-87	GB93-87
25	22673-72041	00	Wheel cylinder ass'y L H	制动分泵 左 1047	1	Include 26,27	包含 26,27
26	22673-72101	00	Cover,dust	制动分泵护罩	2		
27	22673-72081G	01	Cup,piston	分泵皮碗	2		

REF000560R 02 Brake assembly, right

REF000560R 02 制动器总成右



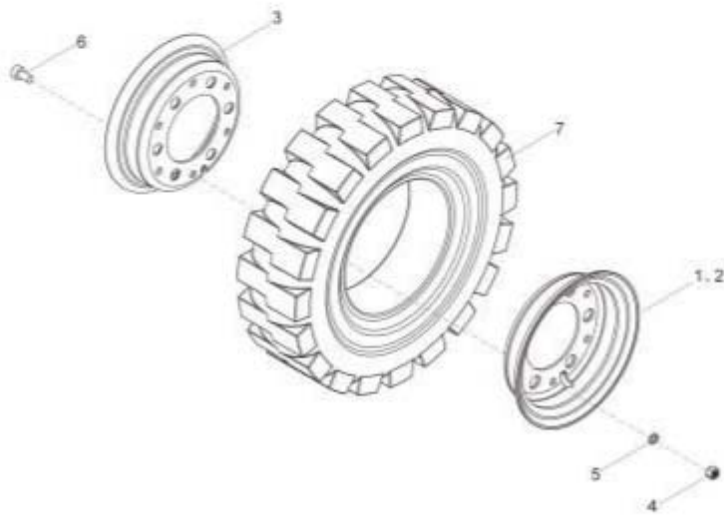
REF000560R 02 Brake assembly, right

REF000560R 02 制动器总成右

序号 No.	零部件代号 Part No.	版本 Edition	名称 Part name		数量 Q'ty	备注 Remark	
1	23653-73111	00	Back plate ass'y R.H.	制动器底板总成右	1		
2	23653-72441	00	Adjust R.H.	间隙调整器右	1		
3	23653-73021	01	Brake shoe & friction plate assembly	制动蹄带摩擦片总成	2		
4	A01C3-72621	00	Snap ring,pin axle	杆销挡圈	1		
5	23653-72071A	00	Lever brake R.H.	手制动拉杆右	1		
6	23673-72261	00	Spring,return	回位弹簧	2		
7	23653-72131	00	Plate	导向板	1		
8	23653-72161	00	Stopper,pole lever	顶杆	1		
9	23653-72171	00	Spring,return	回位弹簧	1		
10	23653-72081	00	Strut	手推杆	1		
11	22673-72391	00	Spring	压缩弹簧	1		
12	23653-72151G	00	Lever pole R.H.	调整杠杆右	1		
13	23653-72191	00	Spring seat	压簧座	3		
14	23653-72051	00	Spring	2T 蹄片间回位弹簧	1		
15	23653-72111	00	Compression spring cap	压簧盖	4		
16	23653-72091	00	2T Spring	2T 压簧	4		
17	23653-72121	00	Spring seat	压簧座	1		
18	23653-72101	00	Pull rod	压簧拉杆	4		
19	22673-72231	00	Pin,lever	支承销	1		
20	A01C3-72611	00	Spring shim	弹性垫片	1		
21	24433-70040G	00	Plug	胶塞	1		
22	OC11246-24603	00	Cable	制动钢索总成(右)	1		
22	OC11246-24604	00	Cable	制动钢索总成	1	Japanese brake, 2-2.5t	日本制动器,2-2.5t
23	B0330-08016	00	Bolt	螺栓 M8x16	2	GB5783-86	GB5783-86
24	B5050-00008	00	Washer	垫圈 8	2	GB93-87	GB93-87
25	22673-72031	00	Wheel cylinder ass'y R H	制动分泵总成右	1	Include 26,27	包含 26,27
26	22673-72101	00	Cover,dust	制动分泵护罩	2		
27	22673-72081G	01	Cup,piston	分泵皮碗	2		

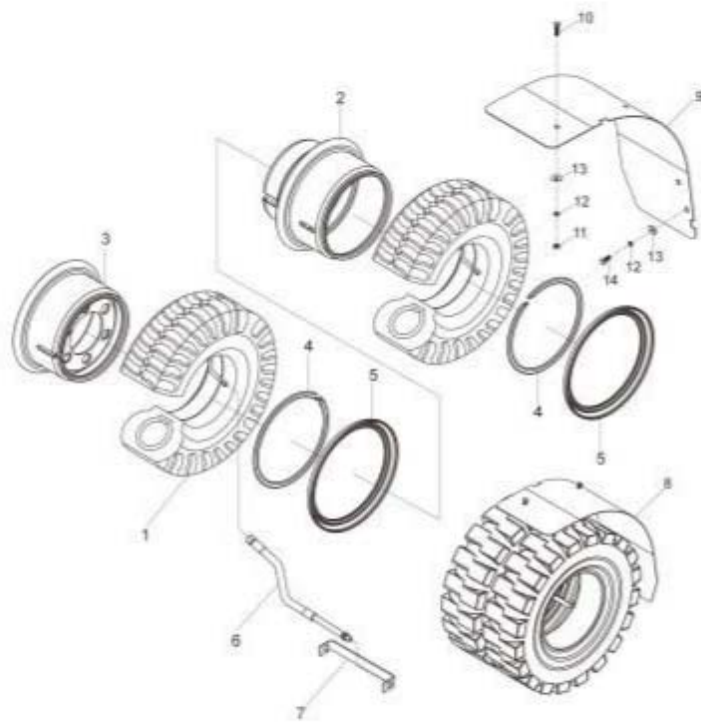
HRK2TJ4401 00 Wheel

HRK2TJ4401 00 车轮



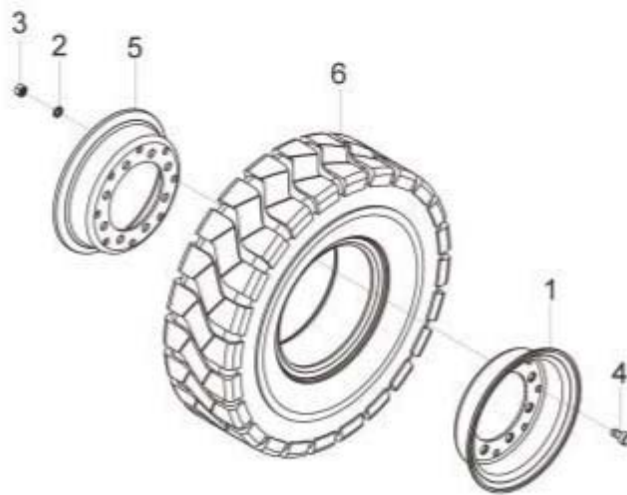
HRK2TJ4402 00 Drive wheel (double tires)

HRK2TJ4402 00 双胎前轮



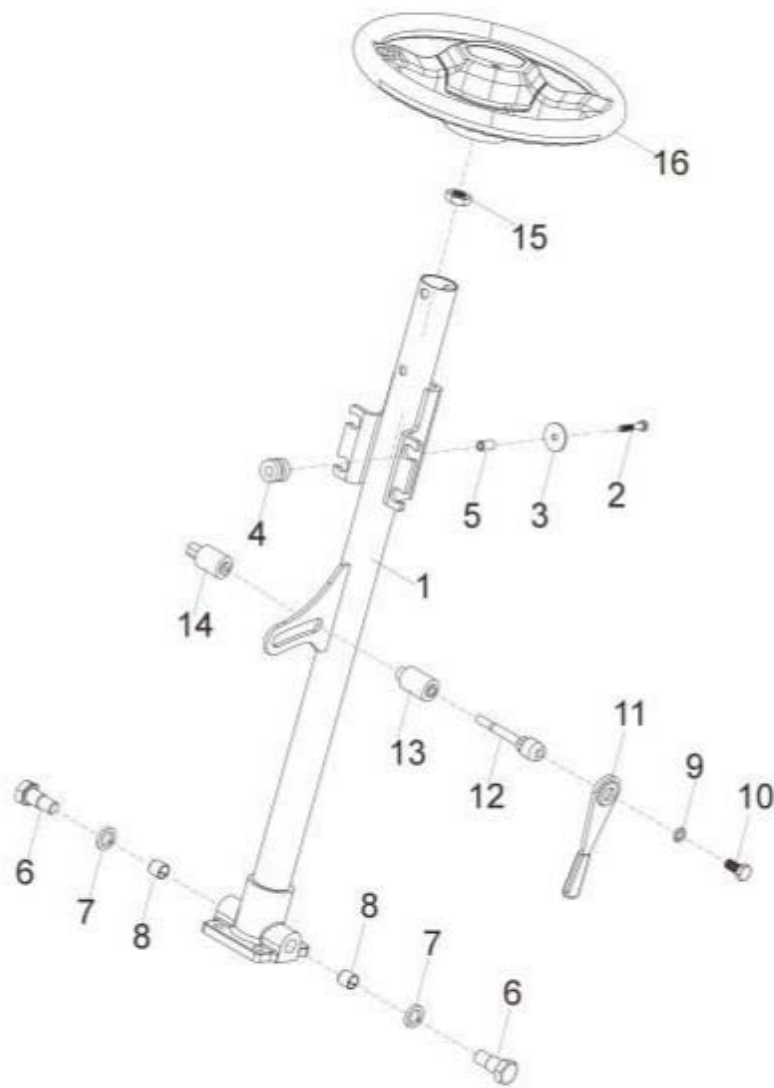
GY2Y4-30001 02 Rear wheel assembly

GY2Y4-30001 02 后轮总成



K2TJ4-10001 03 Steering system

K2TJ4-10001 03 转向系统



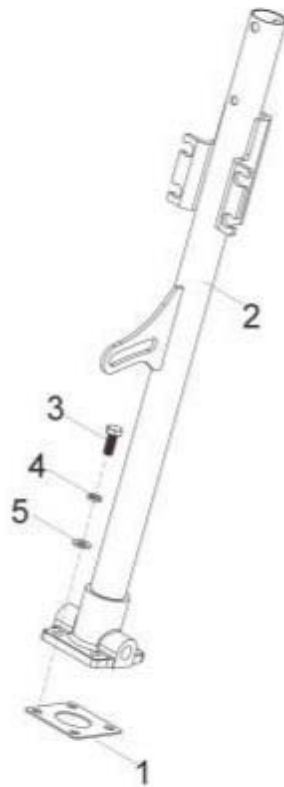
K2TJ4-10001 03 Steering system

K2TJ4-10001 03 转向系统

序号 No.	零部件代号 Part No.	版本 Edition	名称 Part name		数量 Q'ty	备注 Remark	
1	K2TJ4-10201	01	Column	转向管柱总成	1		
2	B0230-06035	00	Bolt	螺栓 M6x35	4	GB5782-86	GB5782-86
3	B5210-00008	00	Washer	垫圈 8	4	GB96-85	GB96-85
4	A22A4-12101	00	Rubber	橡胶套	4		
5	A22A4-12111	00	Spacer	套管	4		
6	24624-12001G	00	Bolt	螺栓	2		
7	B5050-00016	00	Washer	垫圈 16	2	GB93-87	GB93-87
8	Z2111-01415	00	Bushing	钢背轴承	2	Q/AC40001-2002	Q/AC40001-2002
9	B5050-00010	00	Washer	垫圈 10	1	GB93-87	GB93-87
10	B0330-10020	00	Bolt	螺栓 M10x20	1	GB5783-86	GB5783-86
11	KM914-10501	01	Lever	手柄总成	1		
12	KM914-12021	02	Bolt	螺栓	1		
13	KM914-12031	02	Spacer	套管	1		
14	KM914-12011	04	Nut	螺母	1		
15	B4413-00016	00	Nut	螺母 M16x1.5	1	GB6173-86	GB6173-86
16	K9FL4-14011	00	Steering wheel assembly	方向盘总成 Φ330(带“HELI”字样、带球形把手)	1	With HELI, with knob	带 HELI 字样,带球形把手
16	K9FL4-14031	00	Steering wheel assembly	方向盘总成 Φ330(带“HELI”字样、无球形把手)	1	With HELI, no knob	带 HELI 字样,无球形把手
16	K2TJ4-14021	00	Steering wheel assembly	方向盘总成 Φ330(带“CHL”字样、无球形把手)	1	With CHL, no knob	带 CHL 字样,无球形把手
16	K2TJ4-14011	00	Steering wheel assembly	方向盘总成 Φ330(带“CHL”字样、带球形把手)	1	With CHL, with knob	带 CHL 字样,带球形把手
16	K9FL4-14021	00	Steering wheel assembly	方向盘总成 Φ330(无“HELI”字样、带球形把手)	1	Neutral packing, with knob	中性包装,带球形把手
16	K9FL4-14041	00	Steering wheel assembly	方向盘总成 Φ330(中性包装、无球形把手)	1	Neutral Packing, No knob	中性包装,无球形把手

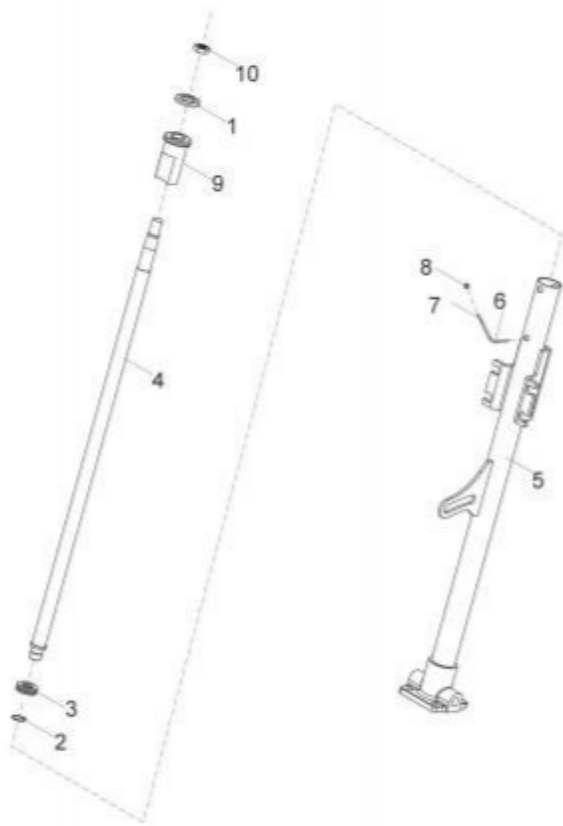
K2TJ4-10201 00 Column

K2TJ4-10201 00 转向管柱总成



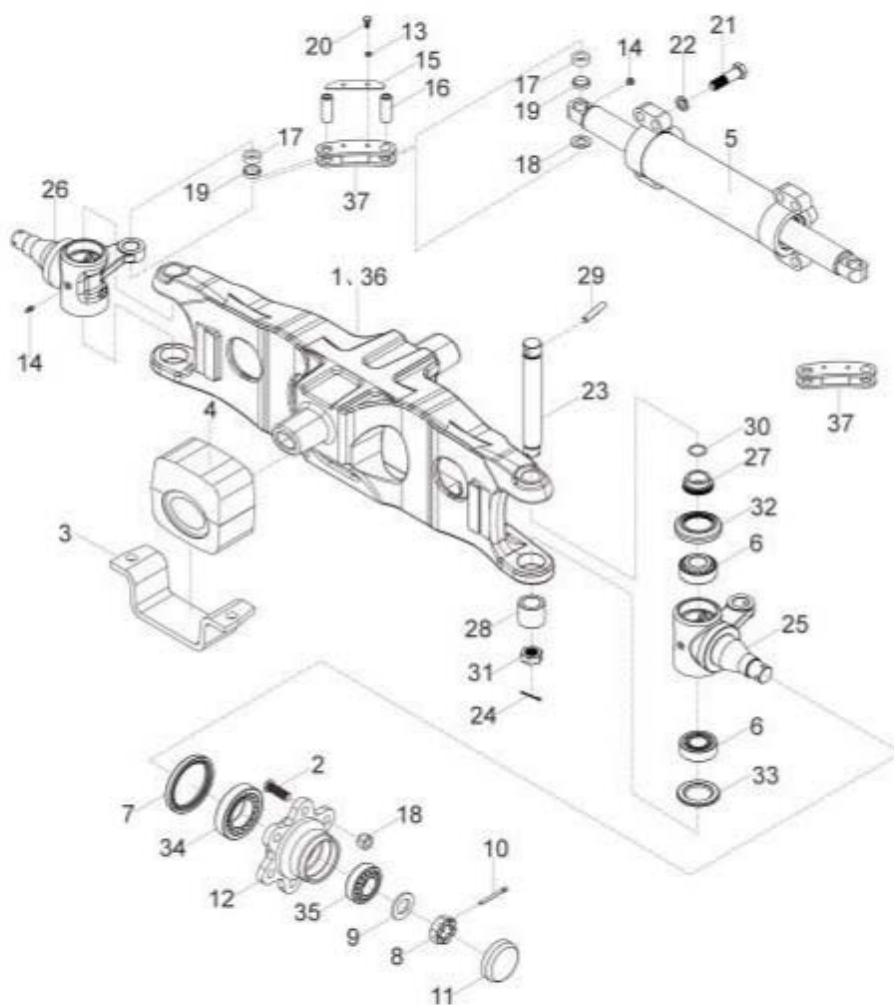
K2TJ4-10301 02 Column

K2TJ4-10301 02 转向管柱总成



K2TJ4-30011 01 Steering axle

K2TJ4-30011 01 转向桥总成



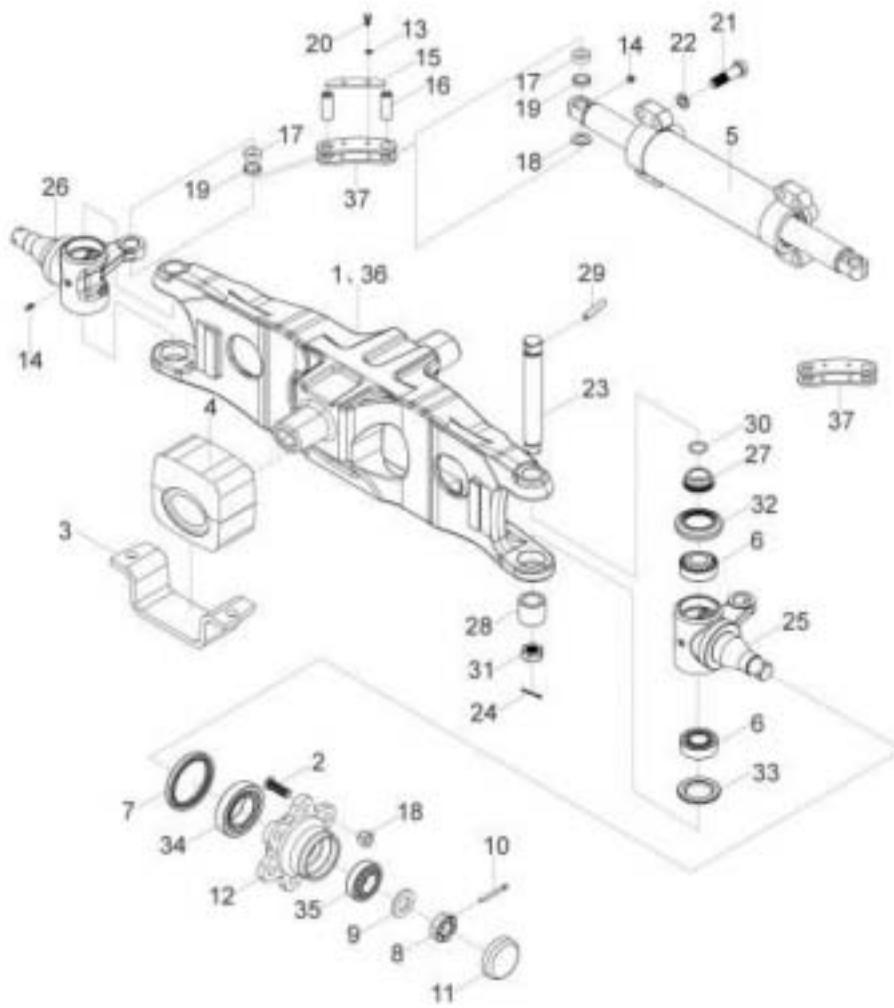
K2TJ4-30011 01 Steering axle

K2TJ4-30011 01 转向桥总成

序号 No.	零部件代号 Part No.	版本 Edition	名称 Part name		数量 Q'ty	备注 Remark	
1	K2TJ4-30021	01	Steering axle	转向桥	1	Include 5-37	包含 5-37
1	K2TJ4-30021-HT	00	Steering axle	转向桥	1		带转向缸防护套
2	23654-34051	05	Nut	轮毂螺母	16		
3	K2TJ4-32071	00	Support	支架	2		
4	K2TJ4-32061	01	Cushion	减震块	2		
5	K2TJ4-30101	00	Steering cylinder	转向油缸	2		
6	Z-33206	00	Bearing 33206	轴承 33206	4	GB/T297-94	GB/T297-94
7	Z6301-08524	00	Skeleton oil seal TC/85x110x12D	骨架油封 TC/85x110x12D	2	GB/T9877.1-88	GB/T9877.1-88
8	A21B4-32311	00	Nut M30x2	螺母 M30x2	2		
9	B5310-00030	00	Washer 30	垫圈 30	2	GB97.1-85	GB97.1-85
10	B3010-6P360	00	Pin 6.3x60	销 6.3x60	2	GB91-86	GB91-86
11	A21B4-32231	01	Hub cover	轮毂盖	2		
12	A21B4-32241	02	Hub,wheel	轮毂	2		
13	B5050-00008	00	Washer	垫圈 8	4		
14	Q700B06	01	Fitting	直通式滑油嘴	6	ZBT33001.2-88	ZBT33001.2-88
15	A21B4-32300	00	Baffle	挡板	2		
16	A21B4-32261A	00	Link pin	连杆销	4		
17	H24C4-32061	02	Bearing	关节轴承	4		
18	H24N4-32031	01	Bolt	轮毂螺栓	16		
19	H24C4-12003	02	Dushing	衬套	4		
20	B0330-08020	00	Bolt	螺栓 M8x20	4	GB5783-86	GB5783-86
21	B0330-16060	00	Bolt M16X65	螺栓 M16X65	8	GB5783-86	GB5783-86
22	B5050-00016	00	Washer	垫圈 16	8	GB93-87	GB93-87
23	G27Z4-33041	00	King Pin,steering knuckle	转向节主销	2		
24	B3010-3P230	00	Pin	开口销 3.2x30	2	GB91-86	GB91-86
25	K2TJ4-32011	00	Left steering kunckle	左转向节总成	1		
26	K2TJ4-32021	00	Steering knuckle	转向节(右)	1		
27	G27Z4-33051	00	Spacer	隔套	2		
28	G27Z4-33071	00	Dushing	衬套	2		
29	G27Z4-33061	01	Pin	槽销	2		
30	Z6053-02502	00	O-ring 25x2.65	O 形密封圈 25x2.65	2	GB3452.1-92	GB3452.1-92

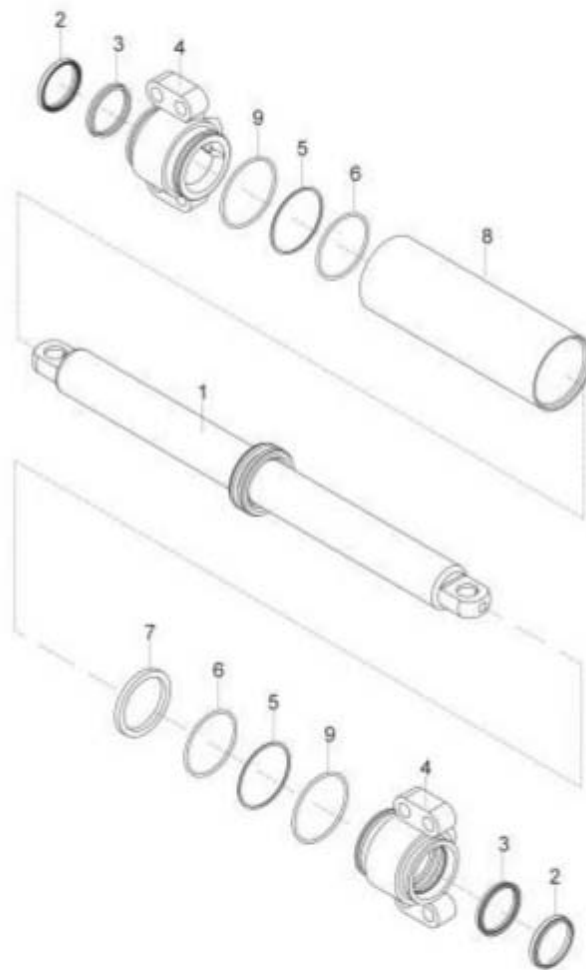
K2TJ4-30011 01 Steering axle

K2TJ4-30011 01 转向桥总成



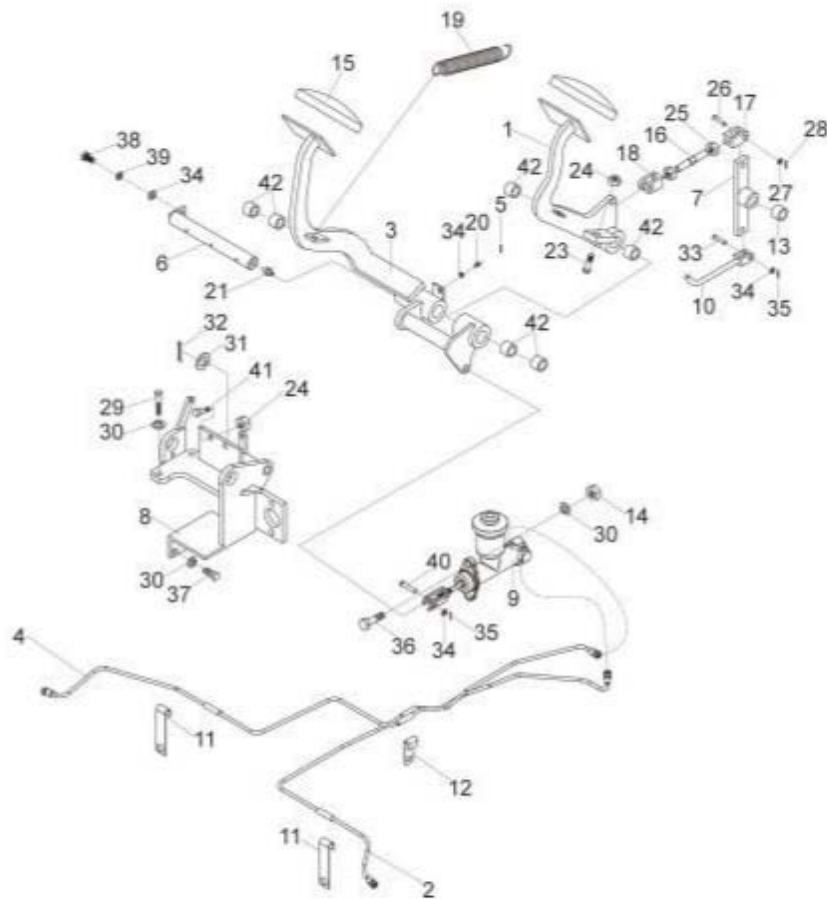
K2TJ4-30101 00 Steering cylinder

K2TJ4-30101 00 转向油缸



REF104804G 05 Inching pedal

REF104804G 05 行车制动与微动操纵装置



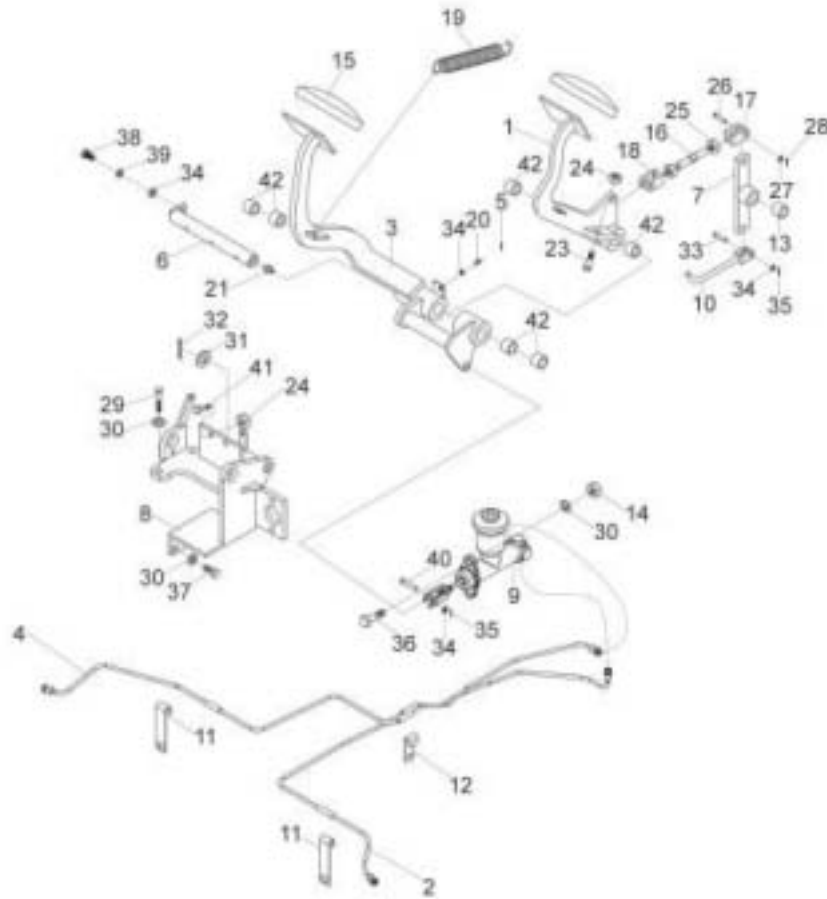
REF104804G 05 Inching pedal

REF104804G 05 行车制动与微动操纵装置

序号 No.	零部件代号 Part No.	版本 Edition	名称 Part name		数量 Q'ty	备注 Remark	
1	24465-40312	01	Service brake & inching control	微动踏板	1	Include 42	包含 42
2	24455-42191G	02	Oil pipe	油管总成	1		
3	24465-40212	01	Pedal,brake	制动踏板	1	Include 42	包含 42
4	24455-42171G	02	Oil pipe	制动油管	1		
5	B3010-02020	00	Pin	销 2x20	1	GB91-86	GB91-86
6	25595-42182	00	Shaft,oil	油轴	1		
7	24465-42181	01	Link	摇臂	1	Include 43	包含 43
8	24465-42131	01	Support	支架	1		
9	25595-40302A	00	Brake pump	制动总泵	1	Include 22	包含 22
10	22505-42001	01	Joint	连接杆	1		
11	24455-42211G	01	Pipe clamp	管夹	2		
12	24245-42201	01	Pipe clamp	管夹	2		
13	Z2131-01625	00	Bushing	钢背轴承 16x25	1		
14	B4123-00010	00	Nut	螺母 M10	3	GB6170-86	GB6170-86
15	25595-42071	03	Head cover	脚制动垫	2		
16	23745-42031	00	Rod	螺杆 REF105264 制动	1		
17	23745-42052	01	Clevis	支耳(左)	1	REF339703	REF339703
18	23745-42042	01	Clevis	支耳(右)	1	REF339703	REF339703
19	20155-30061	03	Spring	弹簧	2		
20	23235-40091	04	Stopper,rubber	橡胶顶轴	1		
21	Z2500-01010	00	Oil cup	油杯 M10×1	1	ZBT7940. 1-1995	ZBT7940. 1-1995
22	25595-40302AXLB	00	Repair kit,brake pump	制动总泵修理包	1		
23	B0530-10045	00	Bolt	螺栓 M10x1.25x45	1	GB5786-86	GB5786-86
24	B4223-00010	00	Nut	螺母 M10x1.25	2	GB6171-86	GB6171-86
25	B4123-10010	00	Nut	螺母 M10(左)	1	GB6170-86	GB6170-86
26	B3220-10032	00	Pin B10x32	销 B10x32	2	GB882-86	GB882-86
27	B5310-00010	00	Washer	垫圈 10	2	GB97.1-85	GB97. 1-85
28	B3010-3P220	00	Pin 3.2x20	销 3.2x20	2	GB91-86	GB91-86
29	B0330-10025-X1	00	Combined bolt	组合螺栓 M10x25	2	GB/T9074. 1 5-88	GB/T9074. 1 5-88
30	B5050-00010	00	Washer	垫圈 10	2	GB93-87	GB93-87
31	B5310-00016	00	Washer	垫圈 16	1	GB97.1-85	GB97. 1-85

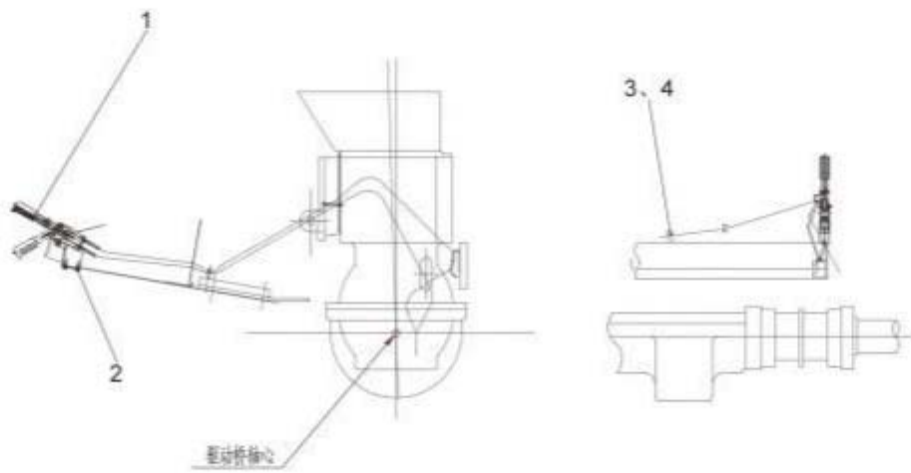
REF104804G 05 Inching pedal

REF104804G 05 行车制动与微动操纵装置



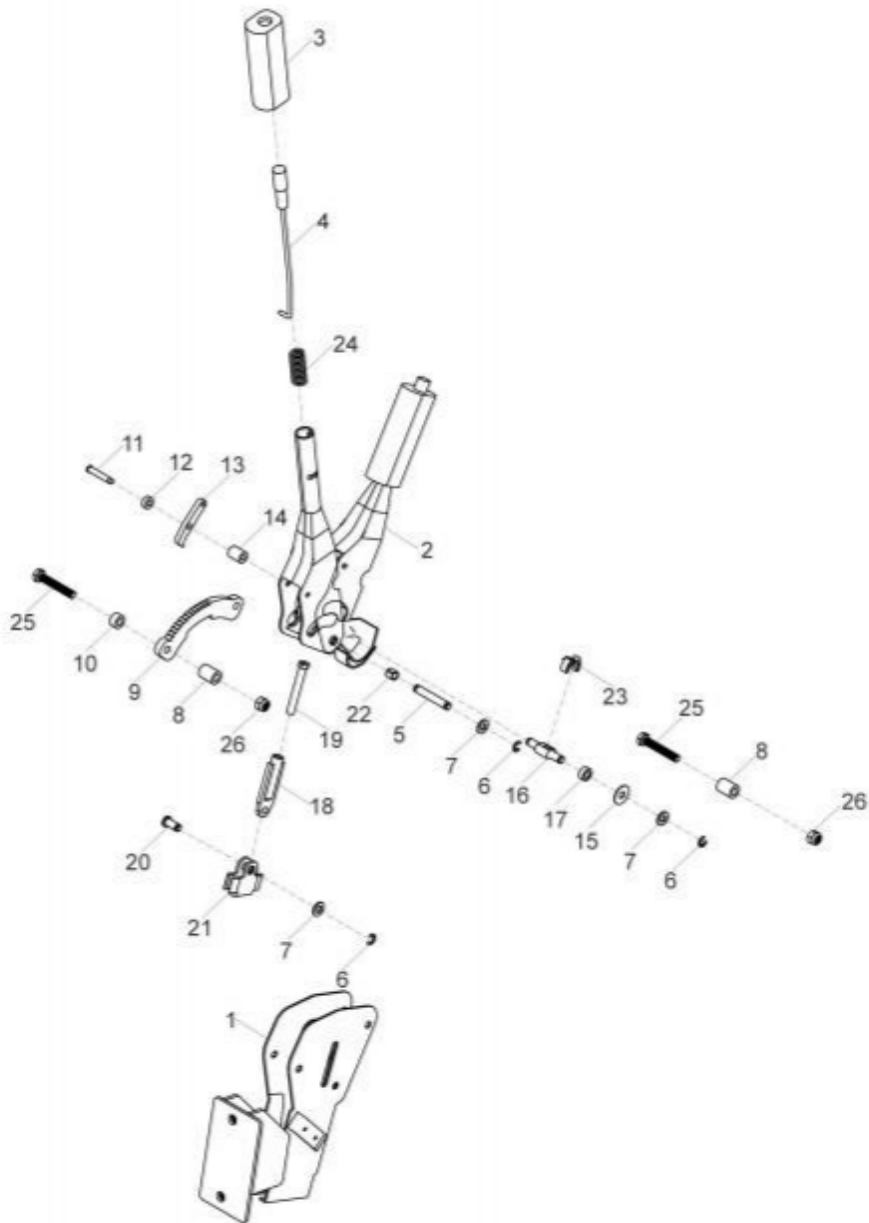
HRK2TJ5501 00 Brake lever

HRK2TJ5501 00 停车制动装置



K2TJ5-50111 01 Hand brake

K2TJ5-50111 01 手制动总成



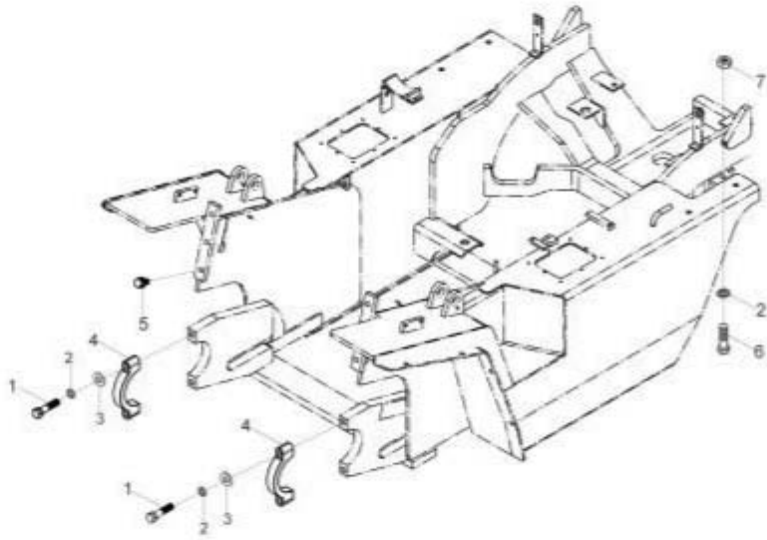
K2TJ5-50111 01 Hand brake

K2TJ5-50111 01 手制动总成

序号 No.	零部件代号 Part No.	版本 Edition	名称 Part name		数量 Q'ty	备注 Remark	
1	K2TJ5-50201	00	Bracket	手制动壳总成	1		
2	H9MF5-50301	00	Lever	手柄总成	1		
3	Q64H5-52001	02	Sheath	手柄套	1		
4	G2TA5-50401	01	Push rod	推杆总成	1		
5	G2TA5-52121	02	Pin	固定销	1		
6	B6250-00006	00	Snap ring	挡圈 6	5	GB896-86	GB896-86
7	B5310-00008	00	Washer	垫圈 8	6	GB97.1-85	GB97.1-85
8	G2TA5-52171	03	Sleeve	套筒 3	2		
9	G2TA5-52111	03	Ratch	棘齿	1		
10	G2TA5-52181	03	Sleeve	套筒 4	2		
11	G2TA5-52141	02	pin	销轴	1		
12	G2TA5-52161	03	Sleeve	套筒 2	1		
13	G2TA5-52101	02	Pawl	棘爪	1		
14	G2TA5-52151	03	Sleeve	套筒 1	1		
15	239A5-58101	00	Washer	垫圈	2		
16	G2TA5-52131	02	Pin	连接销	1		
17	239A5-54101	00	Sleeve	套	2		
18	239A5-50140	00	Rod	拉杆	1		
19	G2TA5-52201	01	Bolt	螺栓 M8×55	1	GB29.1-88	GB29.1-88
20	239A5-53101	00	Shaft	轴	1		
21	21235-52171G	01	Bracket	挂线架	1		
22	Z2111-00810	00	Bushing	钢背轴承 0810	2	Q/AC40001-2002	Q/AC40001-2002
23	G2TA5-52191	01	Catch	弹簧卡	1		
24	239A5-52101	00	Spring	弹簧	1		
25	B0330-08050	00	Bolt M8x50	螺栓 M8x50	2	GB5783-86	GB5783-86
26	B7720-00008	00	Nut	螺母 M8	2	GB889-86	GB889-86

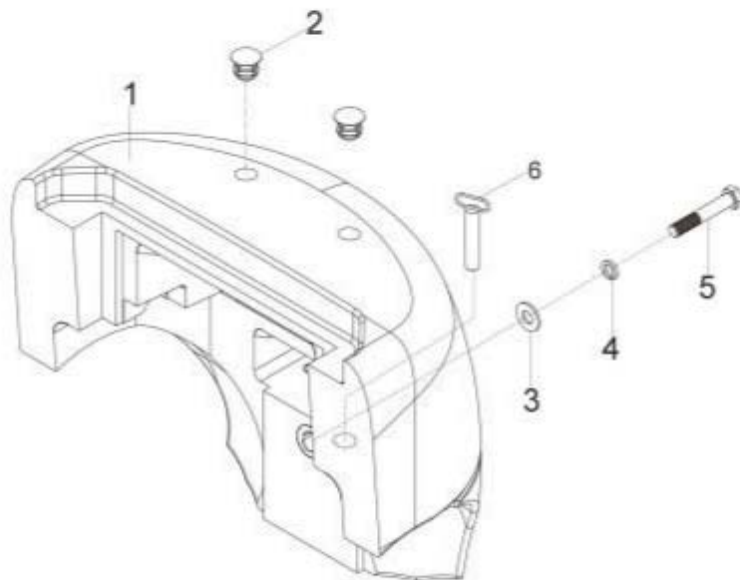
K2TJ6-10021 00 Frame

K2TJ6-10021 00 车架 (二)



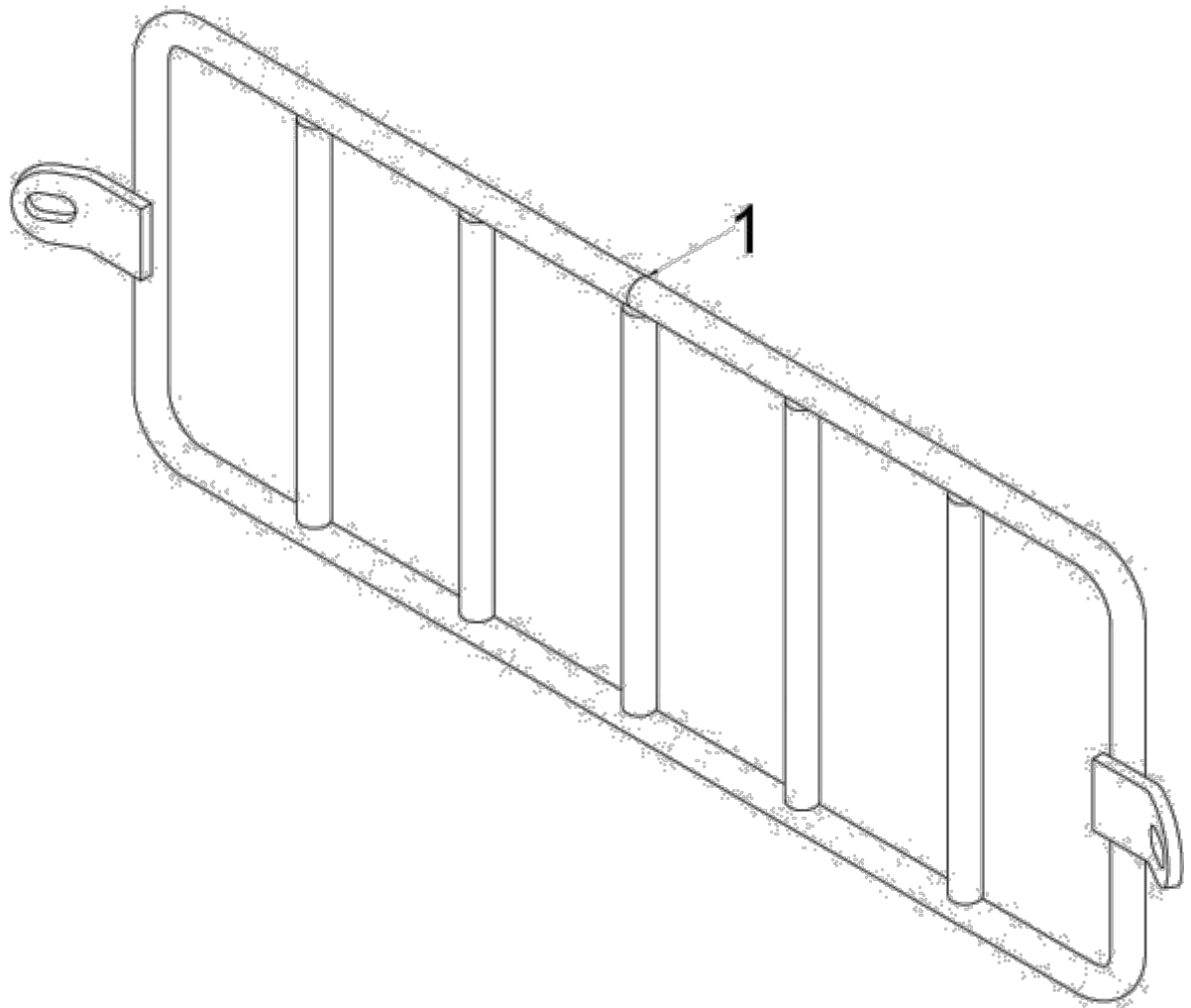
HRKM226301 01 Counter weight mount

HRKM226301 01 平衡重安装



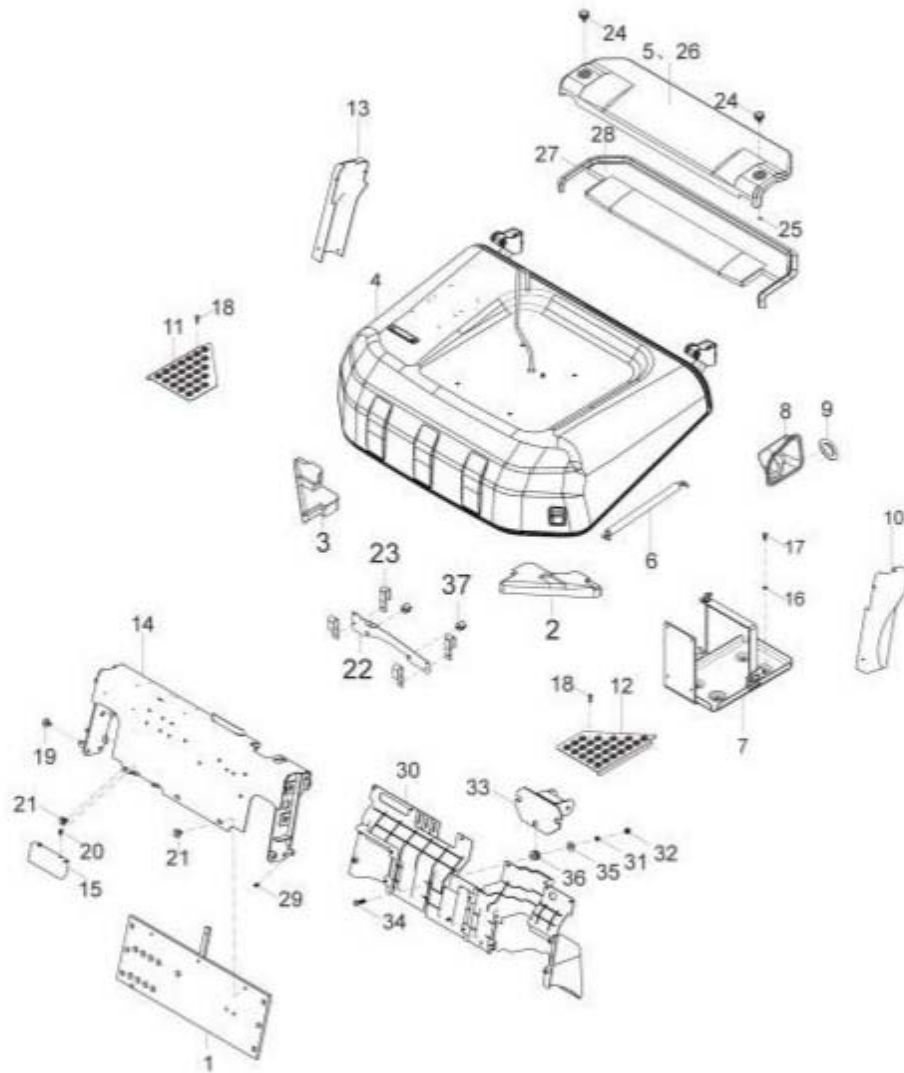
H2LD6-10201 03 Counter weight shield assembly

H2LD6-10201 03 平衡重防护网总成



K2TJ6-40001 13 Hood

K2TJ6-40001 13 机罩类



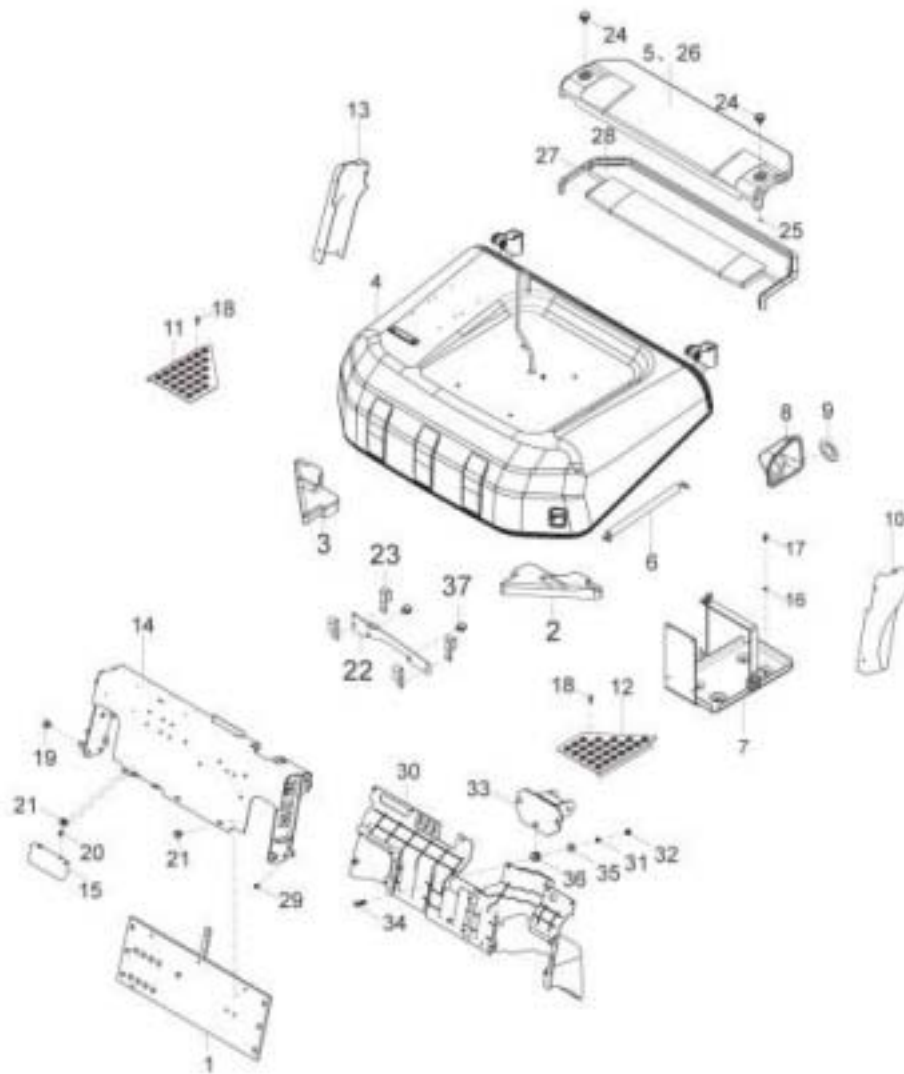
K2TJ6-40001 13 Hood

K2TJ6-40001 13

No.	Part No.	Edition	Part name	Q'ty	Remark
1	KM916-40901GJ	00	Front plate ass'y	1	
1	K0JW6-40501	00	Front plate ass'y	1	For EU V models
2	K9FL6-42351	02	Hood damping pad (left)	1	欧五车型用备注
3	K9FL6-42341	01	Hood damping pad (right)	1	
4	K9FL6-40631	00	Hood ass'y	1	with upgrade OPS
4	HRK9FL6405	06	Hood ass'y	1	欧五车型、装升级版 OPS
5	K9FL6-40211	04	Radiator cover assembly	1	包含 24-28, Gasoline engine & without cab
5	KM226-40211	01	Radiator cover assembly	1	包含 24-28, Liquefied gas & without cab
5	K9EL5-70541Y	00	Cab rear water tank cover	1	24,26,27, Cab LPG
5	K9EL5-70541XG	00	Cab rear water tank cover	1	包含 24,26,27, Cab not for LPG us
6	K9FL6-42281	00	Gas spring	1	
7	K9FL6-40101	01	Battery rack assembly	1	
7	K0JN6-40101	00	Battery rack assembly	1	Xinchang three cylinder machine EU V
7	GM266-40401	01	Battery bracket	1	WG2503 EU V models
8	K9FL6-42291W	00	Boot	1	For WG2503 EU V
8	K9FL6-42291	01	Boot	1	std
9	H1M56-42511	00	Rubber mat	1	
10	A73J6-42052	05	Shield	1	HRA73J640 2
10	K9FL6-40451L	01	Side seal plate left	1	With cab
11	K9FL6-42261	03	Anti-skid board (right)	1	
12	K9FL6-42271	03	Anti-skid board(left)	1	
13	A73J6-42062	05	Shield	1	HRA73J640 2
13	K9FL6-40451R	01	Side seal plate right	1	With cab
14	K0JW6-40601	00	Instrument stand	1	EU V with cab
14	K0JW6-40401	00	Instrument stand	1	For EU V

K2TJ6-40001 13 Hood

K2TJ6-40001 13 机罩类



K2TJ6-40001 13 Hood

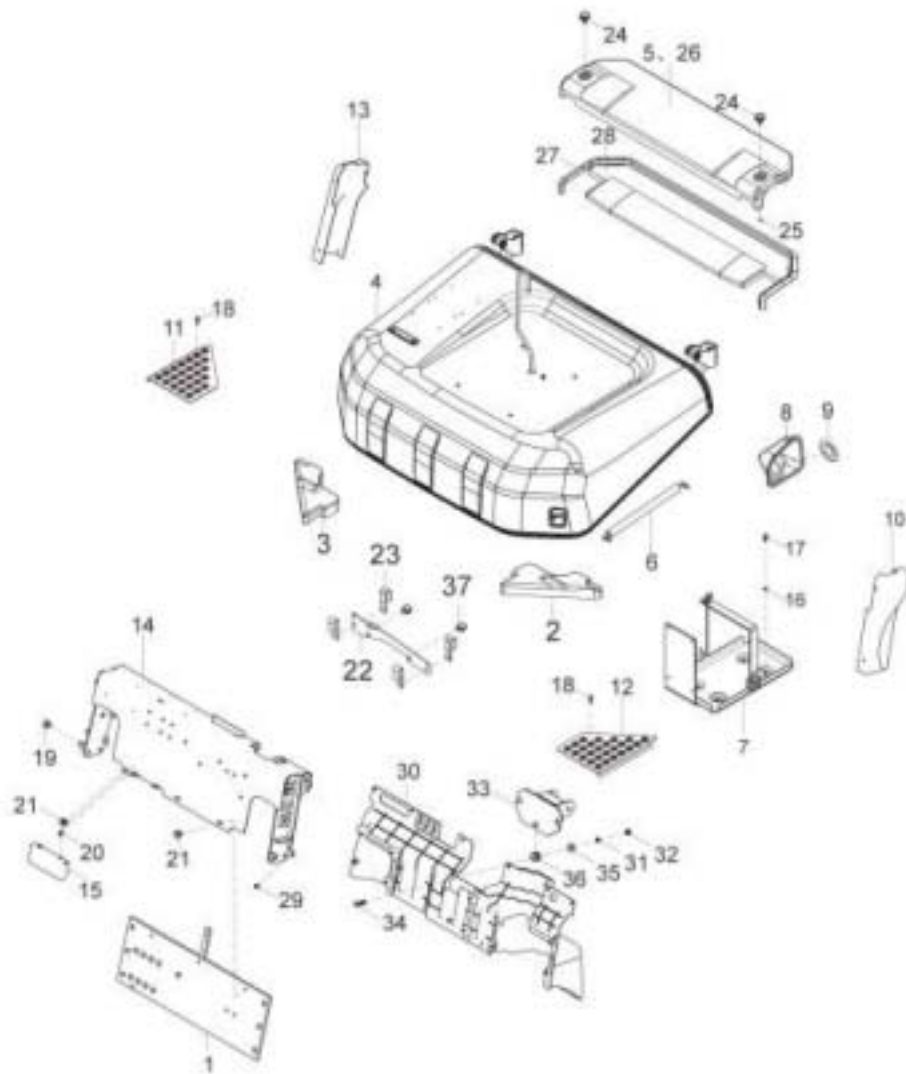
K2TJ6-40001 13

No.	Part No.	Edition	Part name		Q'ty	Remark	
Gasoline							
机罩类							
序号	零部件代号	版本	名称		数量	备注	
14	K2TJ6-40401	01	Instrument stand	仪表架总成	1	engine or Liquefied gas & without cab Gasoline engine or	液化气或汽油机且不装驾驶室
14	K2TJ6-40501	01	Instrument stand	仪表架总成	1	Liquefied gas & with cab	液化气或汽油机且装驾驶室
14	KM226-40501	01	Instrument stand	仪表架总成	1	Dual fuel & without cab	双燃料且不装驾驶室
14	KM226-40601	01	Instrument stand	仪表架总成	1	Dual fuel & with cab	双燃料且装驾驶室
15	K0JW6-42101	00	Multiway valve front housing	多路阀前罩壳	1	For EU V	欧五车用
16	B5050-00008	00	Washer	垫圈 8	2	GB93-87	GB93-87
17	B0330-08016	00	Bolt	螺栓 M8x16	2	GB5783-86	GB5783-86
18	B0330-06025-X2	00	Combined bolt M6x25	组合螺栓 M6x25	4	GB5786,GB93,GB96	GB5786,GB93,GB96
19	B0530-10025-X	00	Combined bolt M10x1.25x25	组合螺栓 M10x1.25x25	4	GB5783-86	GB5783-86
20	B0330-06016-X	00	Combined bolt	组合螺栓 M6×16	8	For EU V	欧五车用
21	B0530-10025-XD	00	Combined bolt M10x1.25x25	组合螺栓 M10x1.25x25	3	GB5786,GB93,GB96	GB5786,GB93,GB96
22	K9FL6-42311	00	Plate	线束固定板	1		
23	22492-42092G	01	Clip	电瓶正极引线卡	4	For mechanical	用于机械车
24	H1M56-43081	00	Screw	螺钉	2		
24	H1M56-43081M	00	Screw	螺钉	2		
25	B6250-00006	00	Snap ring	挡圈 6	2	GB896-86	GB896-86
26	K9FL6-42221	02	Cover	水箱盖板	1	Gasoline engine & without cab Liquefied	汽油机且不装驾驶室用
26	KM226-42221	00	Cover	水箱盖板	1	gas & without cab	液化气且不装驾驶室用
26	K9FL5-70531Y	00	Cab rear water tank cover	驾驶室后水箱盖板	1	Cab LPG	驾驶室液化气用
26	K9FL5-70531	01	Rear radiator cover assembly	后水箱盖板总成	1	Cab not for LPG us	驾驶室非液化气用
27	K9FL6-42231	01	Heat insulation pad for water tank cover plate	水箱盖板隔热垫	1	Gasoline engine & without cab Liquefied	汽油机且不装驾驶室用
27	KM226-42231	00	Heat insulation pad for water tank cover plate	水箱盖板隔热垫	1	gas & without cab	液化气且不装驾驶室用
27	K9EL5-72231G	00	Heat insulation pad for water tank cover plate	水箱盖板隔热垫	1	With cab	装驾驶室用
28	K9FL6-42251	01	Seal	密封条	1	GB5783-86	GB5783-86
29	B9130-06012	00	Bolt	十字槽法兰面螺栓 M6x12	8	GB/T 16674. 1-2004,GB/T29.2-2013	GB/T 16674. 1-2004,GB/T29.2-2013

30	HRK9FL6421	03	Instrument desk	仪表台总成	1	CHL	CHL
----	------------	----	-----------------	-------	---	-----	-----

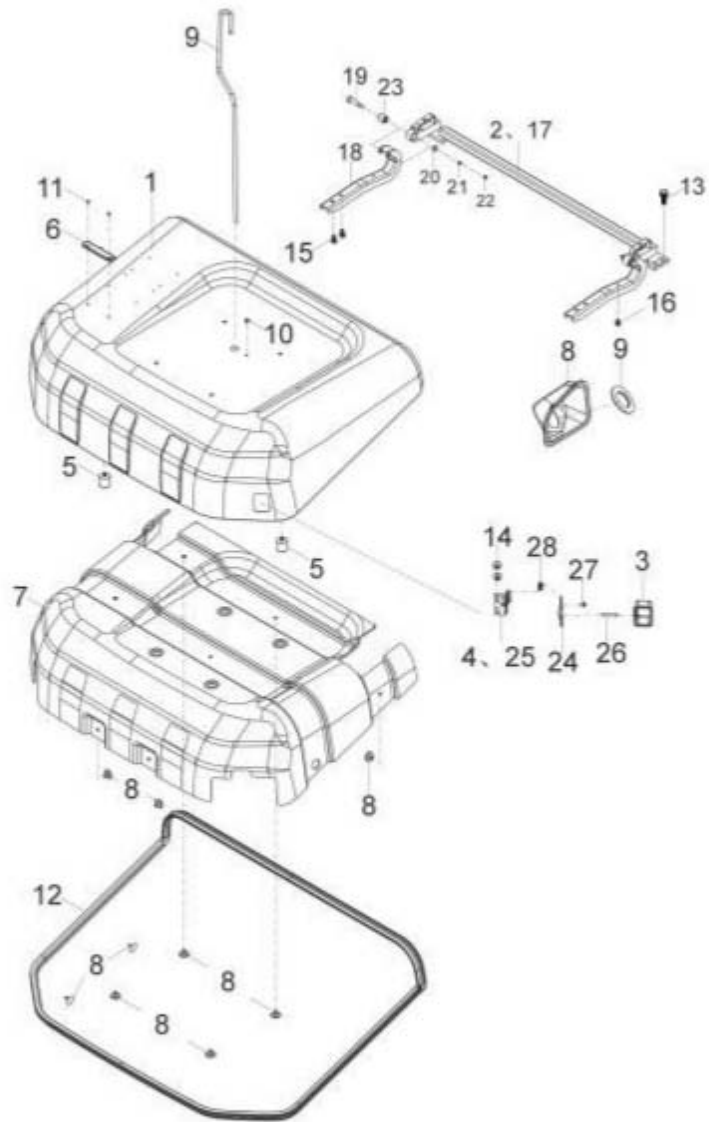
K2TJ6-40001 13 Hood

K2TJ6-40001 13 机罩类



HRK9FL6405 06 Hood assembly

HRK9FL6405 06 机罩总成



HRK9FL6405 06 Hood assembly

HRK9FL6405 06 机罩总成

序号 No.	零部件代号 Part No.	版本 Edition	名称 Part name		数量 Q'ty	备注 Remark	
1	K9FL6-40501	03	Hood ass'y	机罩总成	1		
2	K9FL6-40851	01	Hinge assembly	铰链总成	1	Include 17-23	包含 17-23
3	KM916-42161	02	Shield	护罩	1		
4	KM916-40811	03	Lock body assembly	锁体总成	1	Include 22-26	包含 22-26
5	K2TJ6-40911	00	Cushion pad assembly	缓冲胶垫总成	2		
6	A79S6-40151	02	Clip	资料夹	1		
7	K9FL6-42301	02	Insulator	隔热垫	1		
8	H24C6-42731	02	Clip	卡子	10		
9	H2YY2-40906	02	Wiring harness	安全带开关过渡线	1		
10	D12GZ15055	00	Ribbon	固定式扎带	1		
11	B2391-04008	00	Rivet	开口型铆钉 4x8	2	GB/T12618. 3-2006	GB/T12618. 3-2006
12	K9FL6-42331	00	Seal	机罩密封条	1		
13	B0330-08025-X	00	Combined bolt	组合螺栓 M8x25	4	GB/T 9074. 17-88	GB/T 9074. 17-88
14	B0330-08020-XD	00	Combined bolt	组合螺栓 M8x20	2	GB5783,GB 93,GB96	GB5783,GB 93,GB96
15	B0330-08020-X	00	Combined bolt	组合螺栓 M8x20	4	GB/T 9074. 17-88	GB/T 9074. 17-88
16	D03XKQ352	01	Support	线束固定卡	1		
17	K9FL6-40901	02	Hinge bracket	铰链支架	1		
18	K9FL6-43001	02	Hinge	铰链	2		
19	A24K6-42411	00	Bolt	螺栓	2		
20	B5210-00006	00	Washer,lock	垫圈 6	2	GB96-85	GB96-85
21	B5050-00006	00	Washer,lock	垫圈 6	2	GB93-87	GB93-87
22	B4313-00006	00	Nut	螺母 M6	2	GB6172-86	GB6172-86
23	A24K6-42421	00	Dushing	衬套	2		
24	KM916-42181	02	Hook	弹性锁钩	1		
25	KM916-42171	01	Support	支架	1		
26	KM916-42191	01	Knob,lever	手柄	1		
27	KM916-42201	01	pin	销轴	1		
28	KM916-42311	01	Spring	弹簧	1		

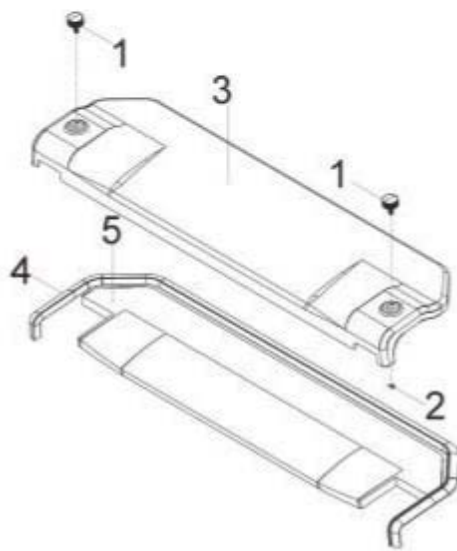
KM916-40811 03 Lock body assembly

KM916-40811 03 锁体总成

空白页
Blank Page

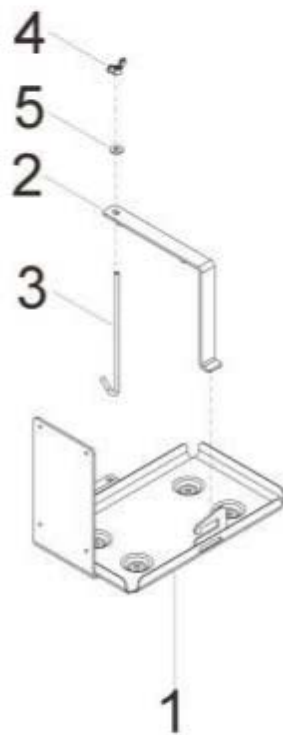
K9FL6-40211 04 Radiator cover assembly

K9FL6-40211 04 水箱盖板总成



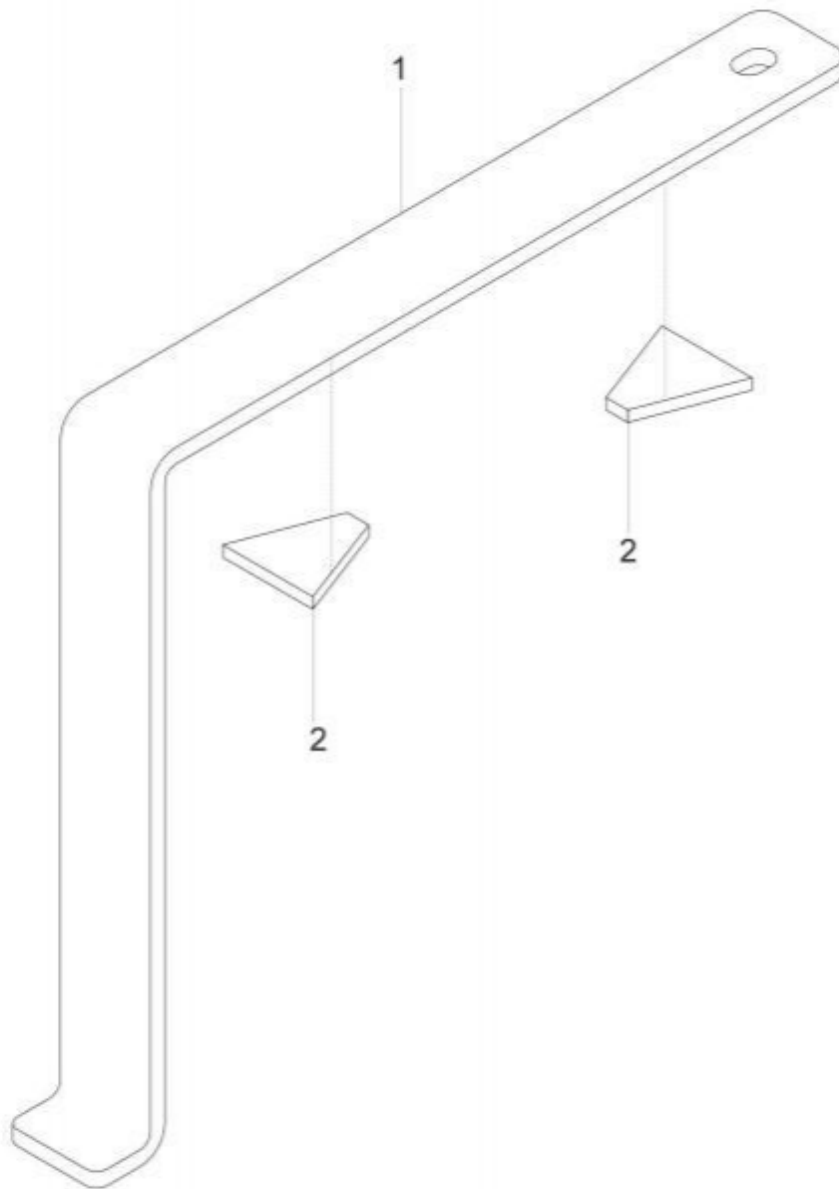
K9FL6-40101 01 Battery rack assembly

K9FL6-40101 01 电瓶架总成



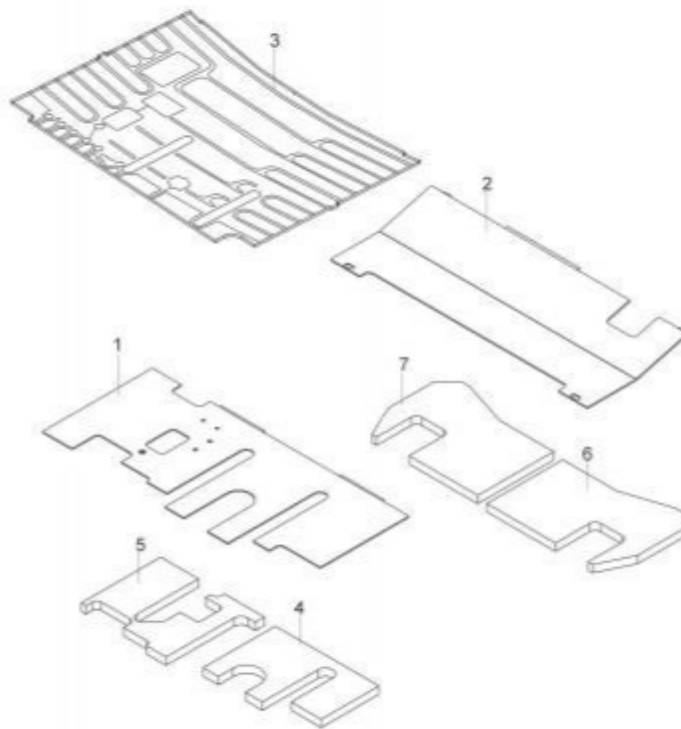
H9DA6-40861 01 Bracket

H9DA6-40861 01 电瓶固定支架



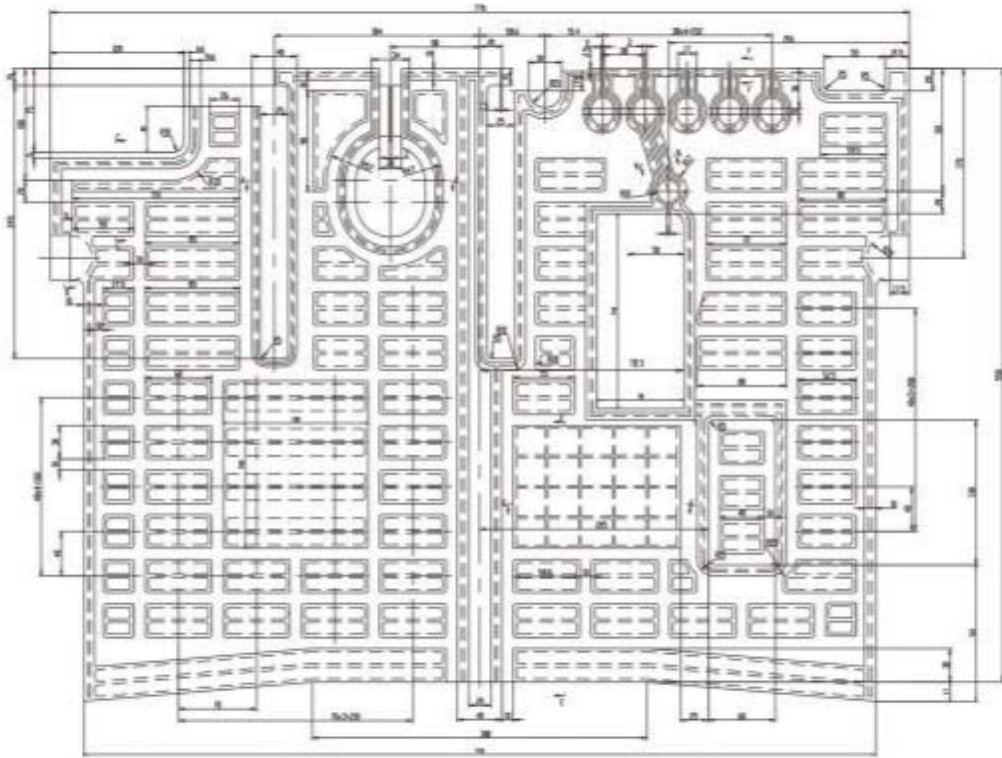
HRK9FL6501 01 Floor class

HRK9FL6501 01 底板类



K9MK6-52211 00 Cushion

K9MK6-52211 00 底板垫(液力车用)



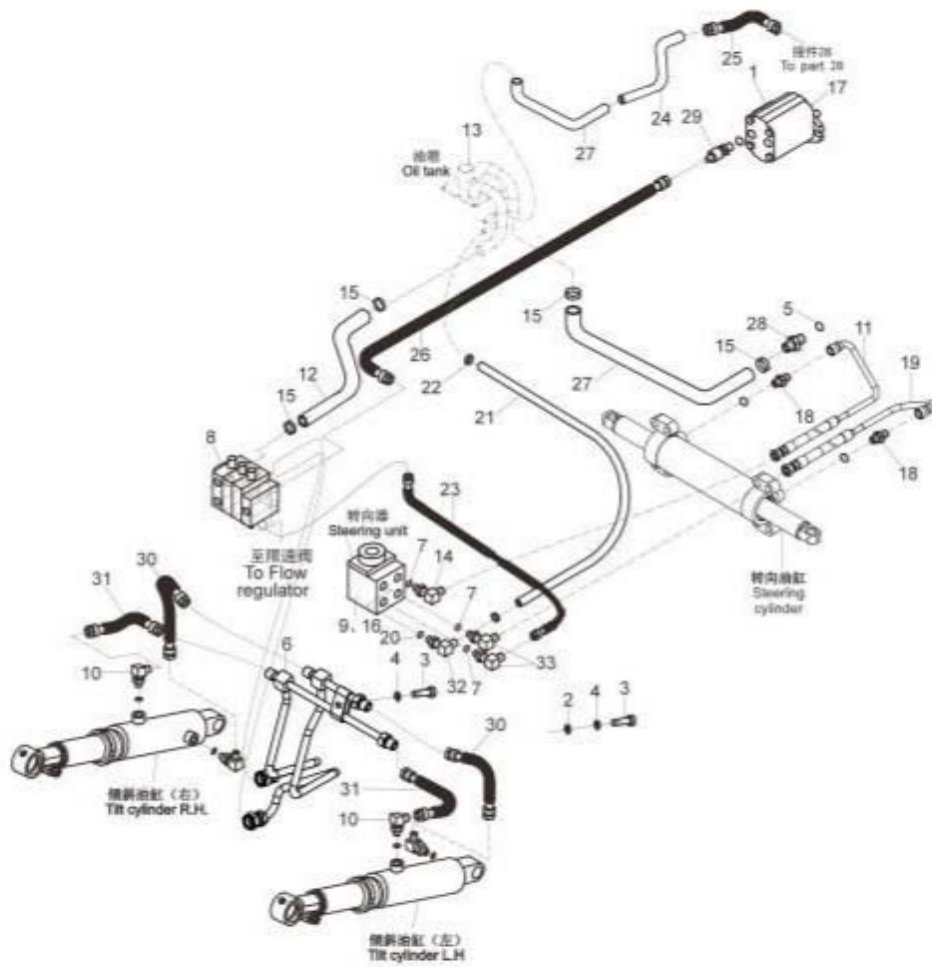
H2KE6-80133TD 00 Hean half surround;whole suspension seat

H2KE6-80133TD 00 和安半包围全悬浮座椅



K2TJ7-60011 11 Hydraulic pipeline system

K2TJ7-60011 11 液压管路系统



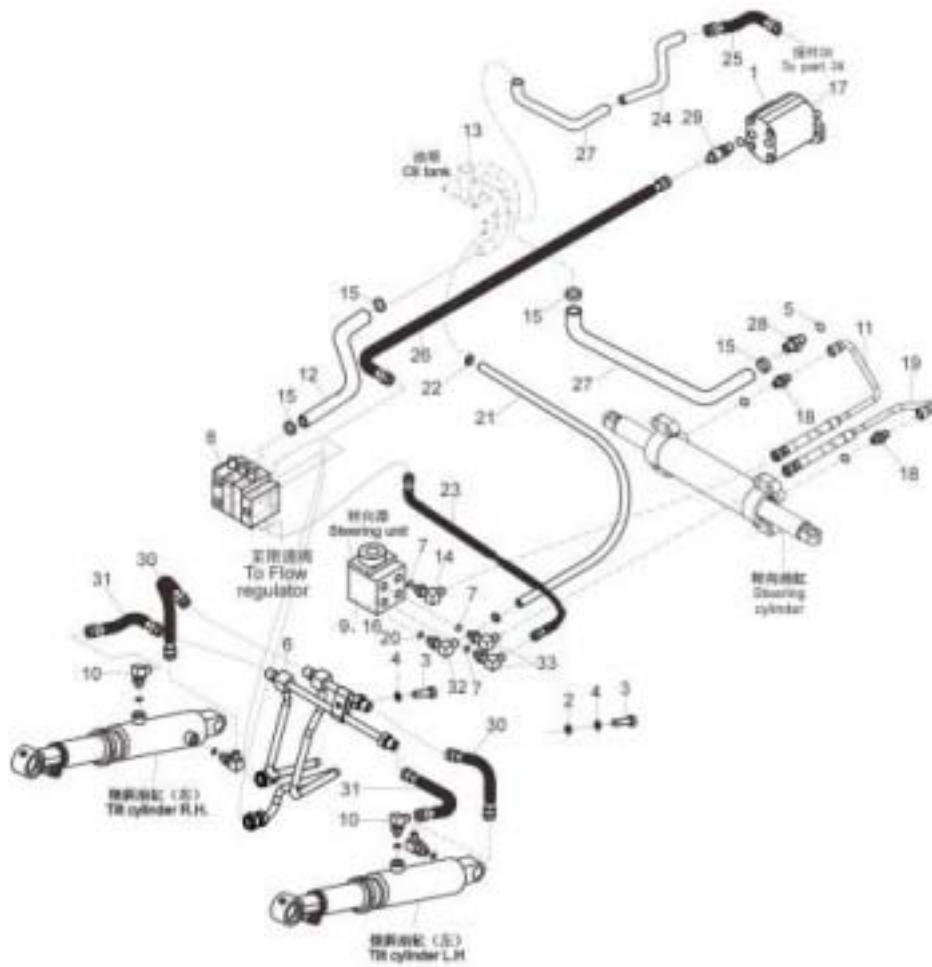
K2TJ7-60011 1 1 Hydraulic pipeline system

K2TJ7-60011 11 液压管路系统

序号 No.	零部件代号 Part No.	版本 Edition	名称 Part name		数量 Q'ty	备注 Remark	
1	HRH2MD7101	03	Gear pump	齿轮油泵	1		
2	B5310-00006	00	Washer,lock	垫圈 6	1		
3	B0330-06025	00	Bolt	螺栓 M6x25	2	GB5783-86	GB5783-86
4	B5050-00006	00	Washer,lock	垫圈 6	2	GB93-87	GB93-87
5	Z6005-02873	00	O-ring	O 型密封圈 P29:28.7x3.5	1	JIS B2401	JIS B2401
6	K2TJ7-60601	05	Tilt steel tube	倾斜钢管总成	1	Outsourcing	外购
7	Z6006-01782	00	O-ring	O 型密封圈 17.8x2.4	3		
8	HRK2TJ7301	05	Control valve	多路阀总成	1	Without OPS/travelling OPS	不装/行走 OPS
8	HRH2FP7321	01	Control valve	多路阀总成(OPS)	1	Whole set of OPS/Australia Ops	全套 OPS/澳 洲 OPS
8	HRH2FP7351	02	Control valve	多路阀总成(升级 OPS)	1	Enhance Ops	增强 OPS
9	K2TJ7-60111	03	Steering unit	转向器	1	Include 16,32-34	包含 16,32-34
10	JT6022-16001LOR	00	Right angle joint	直角接头	4		
11	K2TJ7-62261	02	Steering steel tube hose assembly	转向钢管胶管总成	1		
12	K2TJ7-62011K	00	Multi way valve return pipe	多路阀回油管	1	2,3,4-piece valve/other engines	2,3,4 片阀/其 余发动机
12	24457-62153G	00	Multi way valve return pipe	多路阀回油管	1	5-piece valve/other engines	5 片阀/其余 发动机
12	K0JN7-62011	00	Multi way valve return pipe	多路阀回油管	1	Xinchang 3E22YG51	新昌 3E22YG51
13	K2TJ7-50001	05	Oil tank cover plate and accessories	油箱盖板及附件	1	Xinchang 3E22YG51	新昌 3E22YG51
13	AE937-50001	05	Oil tank	液压油箱	1	Other engines	其余发动机
14	JT6022-20191	02	Right angle joint	直角接头	1	Include 7	包含 7
15	Z4592-32050	00	German type hose hoops	德式喉箍 32~50	4		
16	G0064-00051	02	Redirector ass'y	转向器总成	1		
17	HRK2TJ7601	07	Pump pipe	泵管路总成	1	Include 24-29	包含 24-29
18	JT6021-16001LOR	01	Straight joint	直通接头	2		
19	K2TJ7-62251	02	Steering steel tube hose assembly	转向钢管胶管总成	1		
20	Z6005-01782	00	O-ring	O 型密封圈 P18: 17.8x2.4	1	JIS B2401	JIS B2401
21	Z7300-13130	00	Hose L.P.	低压胶管 Φ13x1300	1		
22	Z4503-12022	00	Clip	喉箍 12~22	2		
23	Z9071-08033L13	00	Hose H.P.	高压胶管 Φ8x330	1		
24	K0HF7-60101	00	Fuel sucking pipe	吸油钢管总成	1	S4S	S4S

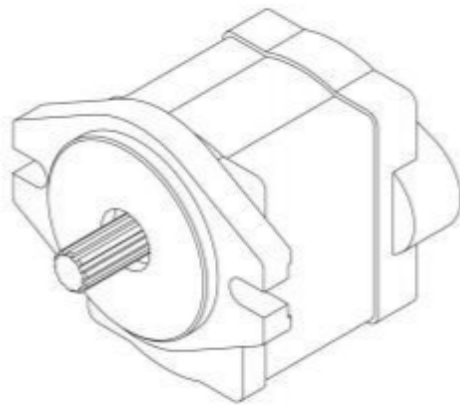
K2TJ7-60011 11 Hydraulic pipeline system

K2TJ7-60011 11 液压管路系统



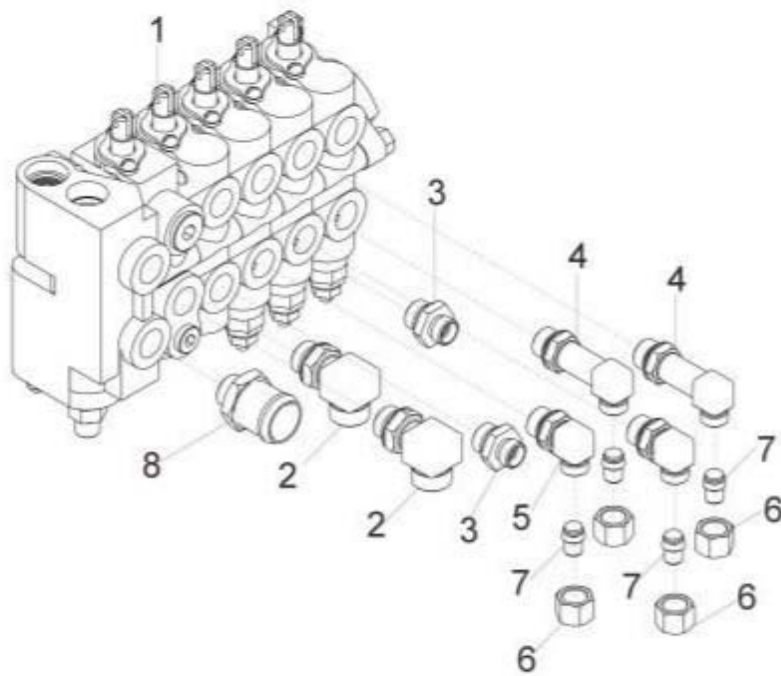
HRH2MD7101 03 Gear pump

HRH2MD7101 03 齿轮油泵



HRK2TJ7301 05 Control valve

HRK2TJ7301 05 多路阀总成



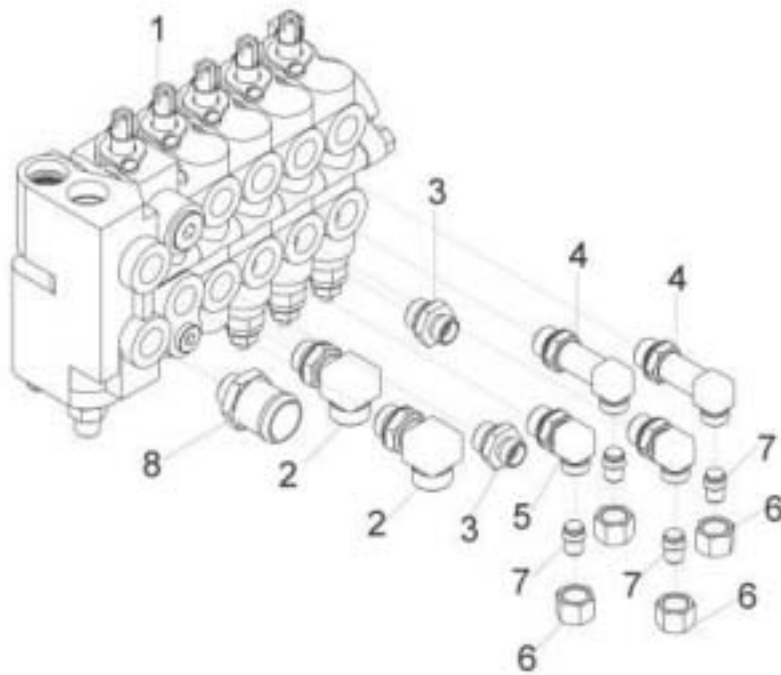
HRK2TJ7301 05 Control valve

HRK2TJ7301 05 多路阀总成

序号 No.	零部件代号 Part No.	版本 Edition	名称 Part name		数量 Q'ty	备注 Remark	
1	K2TJ7-30121	02	Control valve	多路阀	1	Two piece valve ,HRK2 TJ7312,2-3.5t	二片阀,HRK2TJ7 312,2-3.5t
1	K2TJ7-30321	02	Control valve	多路阀	1	Two piece valve ,HRK2 TJ7312,3.8t	二片阀,HRK2TJ7 312,3.8t
1	K2TJ7-30131	02	Control valve	多路阀	1	Three piece valve ,HRK2 TJ7312,2-3.5t	三片阀,HRK2TJ7 312,2-3.5t
1	K2TJ7-30131G	02	Control valve	多路阀	1	Three piece valve ,HRK2 TJ7312,2-3.5t	三片阀(带过载),HRK2TJ 7312,2-3.5t
1	K2TJ7-30331	02	Control valve	多路阀	1	Three piece valve ,HRK2 TJ7312,3.8t	三片阀,HRK2TJ7 312,3.8t
1	K2TJ7-30331G	02	Control valve	多路阀	1	Three piece valve ,HRK2 TJ7312,3.8t	三片阀(带过载),HRK2TJ 7312,3.8t
1	K2TJ7-30141	02	Control valve	多路阀	1	Four piece valve ,HRK2 TJ7312,2-3.5t	四片阀,HRK2TJ7 312,2-3.5t
1	K2TJ7-30141G	02	Control valve	多路阀	1	Four piece valve ,HRK2 TJ7312,2-3.5t	四片阀(带过载),HRK2TJ 7312,2-3.5t
1	K2TJ7-30341	02	Control valve	多路阀	1	Four piece valve ,HRK2 TJ7312,3.8t	四片阀,HRK2TJ7 312,3.8t
1	K2TJ7-30341G	02	Control valve	多路阀	1	Four piece valve ,HRK2 TJ7312,3.8t	四片阀(带过载),HRK2TJ 7312,3.8t
1	K2TJ7-30151	02	Control valve	多路阀	1	Five piece valve ,HRK2 TJ7312,2-3.5t	五片阀,HRK2TJ7 312,2-3.5t
1	K2TJ7-30151G	02	Control valve	多路阀	1	Five piece valve ,HRK2 TJ7312,2-3.5t	五片阀(带过载),HRK2TJ 7312,2-3.5t
1	K2TJ7-30351	02	Control valve	多路阀	1	Five piece valve ,HRK2 TJ7312,3.8t	五片阀,HRK2TJ7 312,3.8t
1	K2TJ7-30351G	02	Control valve	多路阀	1	Five piece valve ,HRK2 TJ7312,3.8t	五片阀(带过载),HRK2TJ 7312,3.8t
2	JT6022-26001LOR	00	Right angle joint	直角接头	2		
3	JT6021-20001LOR	00	Straight joint	直通接头	2		
4	JT6022-20211	00	Right angle joint	直角接头	1	Three piece valve	三片阀
4	JT6022-20211	00	Right angle joint	直角接头	2	Four piece valve	四片阀
4	JT6022-20211	00	Right angle joint	直角接头	3	Five piece valve	五片阀
5	JT6022-20201	00	Right angle joint	直角接头	1	Three piece valve	三片阀
5	JT6022-20201	00	Right angle joint	直角接头	2	Four piece valve	四片阀
5	JT6022-20201	00	Right angle joint	直角接头	3	Five piece valve	五片阀

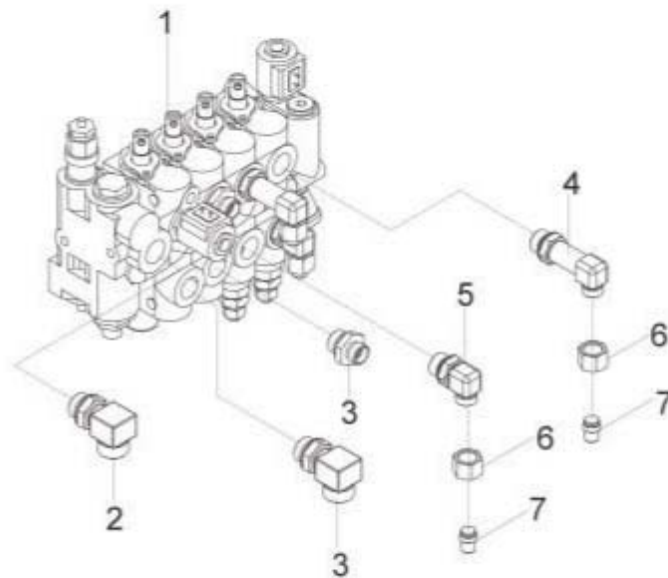
HRK2TJ7301 05 Control valve

HRK2TJ7301 05 多路阀总成



HRH2FP7321 01 Control valve

HRH2FP7321 01 多路阀总成(OPS)



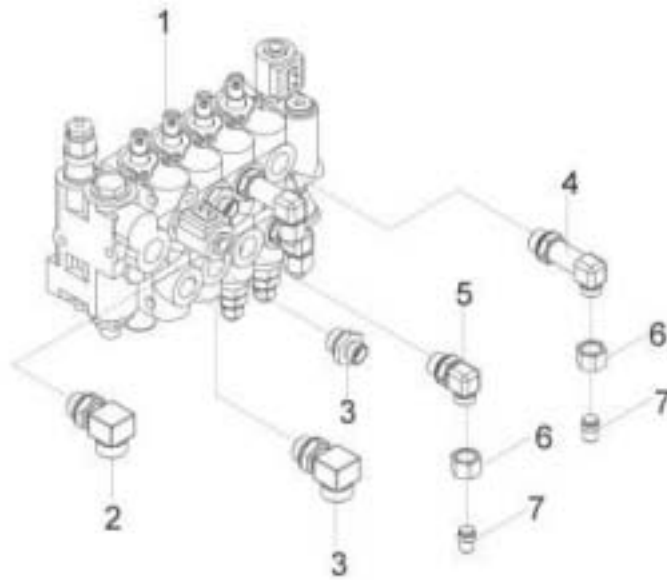
HRH2FP7321 01 Control valve

HRH2FP7321 01 多路阀总成(OPS)

序号 No.	零部件代号 Part No.	版本 Edition	名称 Part name		数量 Q'ty	备注 Remark	
1	H2FP7-30221	02	Control valve	多路阀	1	HRH2FP730 2,2-3.5t, Two piece valve	HRH2FP730 2,2-3.5t,二片 阀
1	HOAS7-30221	03	Control valve	多路阀	1	HRH2FP730 2,3.8t, Two piece valve	HRH2FP730 2,3.8t,二片 阀
1	H2FP7-30231	02	Control valve	多路阀	1	HRH2FP730 2,2-3.5t, Three piece valve	HRH2FP730 2,2-3.5t,三片 阀
1	H2FP7-30231G	02	Control valve	多路阀	1	HRH2FP730 2,2-3.5t, Three piece valve	HRH2FP730 2,2-3.5t,三片 阀
1	HOAS7-30231	03	Control valve	多路阀	1	HRH2FP730 2,3.8t, Three piece valve	HRH2FP730 2,3.8t,三片 阀
1	HOAS7-30231G	03	Control valve	多路阀	1	HRH2FP730 2,3.8t, Three piece valve	HRH2FP730 2,3.8t,三片 阀
1	H2FP7-30241	02	Control valve	多路阀	1	HRH2FP730 2,2-3.5t, Four piece valve	HRH2FP730 2,2-3.5t,四片 阀
1	H2FP7-30241G	02	Control valve	多路阀	1	HRH2FP730 2,2-3.5t, Four piece valve	HRH2FP730 2,2-3.5t,四片 阀
1	HOAS7-30241	03	Control valve	多路阀	1	HRH2FP730 2,3.8t, Four piece valve	HRH2FP730 2,3.8t,四片 阀
1	HOAS7-30241G	03	Control valve	多路阀	1	HRH2FP730 2,3.8t, Four piece valve	HRH2FP730 2,3.8t,四片 阀
2	JT8022-16111	01	Right angle joint	直角接头	2	SAE	美制
2	JT6022-26001LOR	00	Right angle joint	直角接头	2	Metric	公制
3	JT6021-20001LOR	00	Straight joint	直通接头	2		
4	JT8022-96041	04	Right angle joint	直角接头	1	SAE, Three-t hrow	美制,三片阀
4	JT8022-96041	04	Right angle joint	直角接头	2	SAE, Four-th row	美制,四片阀
4	JT6022-20211	00	Right angle joint	直角接头	1	Metric, Three -throw	公制,三片阀
4	JT6022-20211	00	Right angle joint	直角接头	2	Metric, Four-t hrow	公制,四片阀
5	JT8022-96031	04	Right angle joint	直角接头	1	SAE, Three-t hrow	美制,三片阀
5	JT8022-96031	04	Right angle joint	直角接头	2	SAE, Four-th row	美制,四片阀
5	JT6022-20201	00	Right angle joint	直角接头	1	Metric, Three -throw	公制,三片阀
5	JT6022-20201	00	Right angle joint	直角接头	2	Metric, Four-t hrow	公制,四片阀
6	AA3G7-32001	00	Nut	M18 螺母	2	Metric, Three -throw	公制,三片阀
6	AA3G7-32001	00	Nut	M18 螺母	4	Metric, Four-t hrow	公制,四片阀
7	E12A7-60251	01	Plug	堵头	2	SAE, Three-t hrow	美制,三片阀

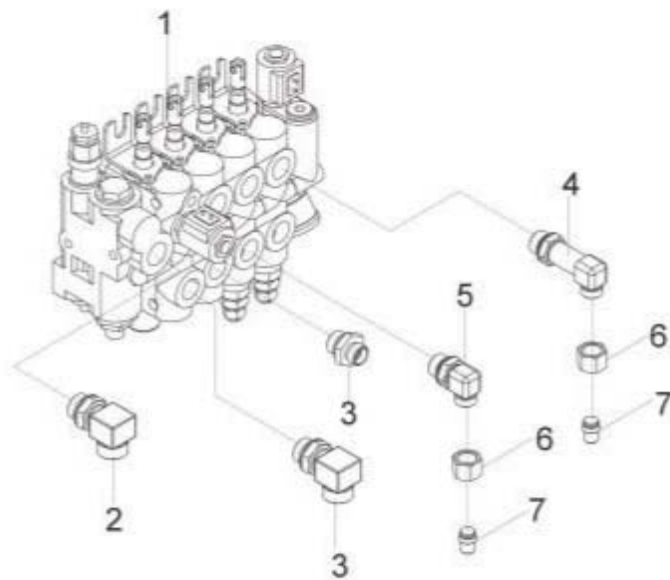
HRH2FP7321 01 Control valve

HRH2FP7321 01 多路阀总成(OPS)



HRH2FP7351 02 Control valve

HRH2FP7351 02 多路阀总成(升级 OPS)



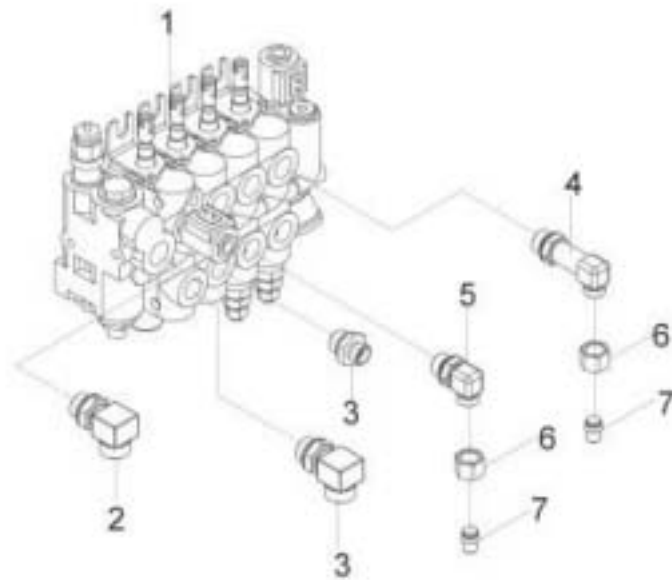
HRH2FP7351 02 Control valve

HRH2FP7351 02 多路阀总成(升级 OPS)

序号 No.	零部件代号 Part No.	版本 Edition	名称 Part name		数量 Q'ty	备注 Remark	
1	H2FP7-30421	02	Control valve	多路阀	1	HRH2FP730 5,2-3.5t, Two piece valve	HRH2FP730 5,2-3.5t,二片 阀
1	HOAS7-30421	02	Control valve	多路阀	1	HRH2FP730 5,3.8t, Two piece valve	HRH2FP730 5,3.8t,二片 阀
1	H2FP7-30431	02	Control valve	多路阀	1	HRH2FP730 5,2-3.5t, Three piece valve	HRH2FP730 5,2-3.5t,三片 阀
1	H2FP7-30431G	02	Control valve	多路阀	1	HRH2FP730 5,2-3.5t, Three piece valve	HRH2FP730 5,2-3.5t,三片 阀
1	HOAS7-30431	02	Control valve	多路阀	1	HRH2FP730 5,3.8t, Three piece valve	HRH2FP730 5,3.8t,三片 阀
1	HOAS7-30431G	02	Control valve	多路阀	1	HRH2FP730 5,3.8t, Three piece valve	HRH2FP730 5,3.8t,三片 阀
1	H2FP7-30441	02	Control valve	多路阀	1	HRH2FP730 5,2-3.5t, Four piece valve	HRH2FP730 5,2-3.5t,四片 阀
1	H2FP7-30441G	02	Control valve	多路阀	1	HRH2FP730 5,2-3.5t, Four piece valve	HRH2FP730 5,2-3.5t,四片 阀
1	H0AS7-30441	02	Control valve	多路阀	1	HRH2FP730 5,3.8t, Four piece valve	HRH2FP730 5,3.8t,四片 阀
1	H0AS7-30441G	02	Control valve	多路阀	1	HRH2FP730 5,3.8t, Four piece valve	HRH2FP730 5,3.8t,四片 阀
2	JT8022-16111	01	Right angle joint	直角接头	2	SAE	美制
2	JT6022-26001LOR	00	Right angle joint	直角接头	2	Metric	公制
3	JT6021-20001LOR	00	Straight joint	直通接头	2		
4	JT8022-96041	04	Right angle joint	直角接头	1	SAE, Three-t hrow	美制,三片阀
4	JT8022-96041	04	Right angle joint	直角接头	2	SAE, Four-th row	美制,四片阀
4	JT6022-20211	00	Right angle joint	直角接头	1	Metric, Three -throw	公制,三片阀
4	JT6022-20211	00	Right angle joint	直角接头	2	Metric, Four-t hrow	公制,四片阀
5	JT8022-96031	04	Right angle joint	直角接头	1	SAE, Three-t hrow	美制,三片阀
5	JT8022-96031	04	Right angle joint	直角接头	2	SAE, Four-th row	美制,四片阀
5	JT6022-20201	00	Right angle joint	直角接头	1	Metric, Three -throw	公制,三片阀
5	JT6022-20201	00	Right angle joint	直角接头	2	Metric, Four-t hrow	公制,四片阀
6	AA3G7-32001	00	Nut	M18 螺母	2	Metric, Three -throw	公制,三片阀
6	AA3G7-32001	00	Nut	M18 螺母	4	Metric, Four-t hrow	公制,四片阀
7	E12A7-60251	01	Plug	堵头	2	SAE, Three-t hrow	美制,三片阀

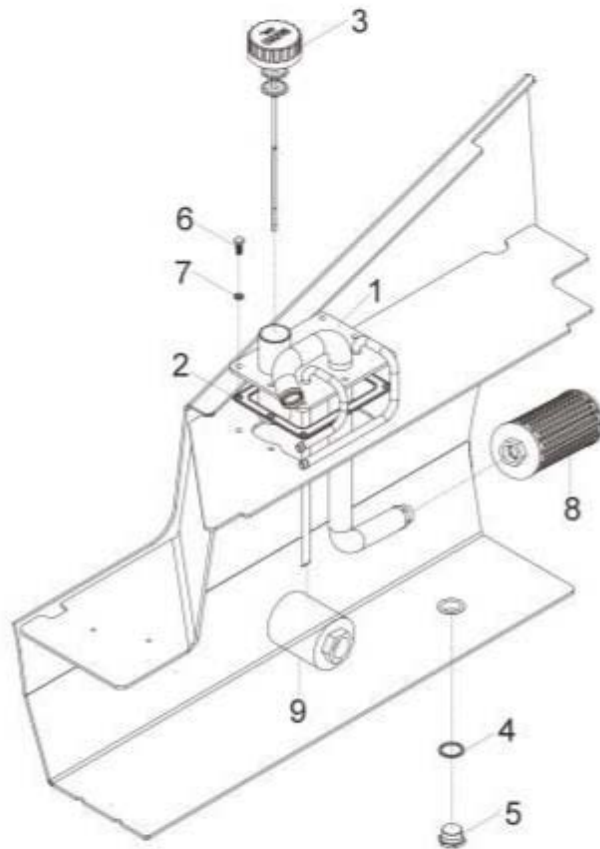
HRH2FP7351 02 Control valve

HRH2FP7351 02 多路阀总成(升级 OPS)



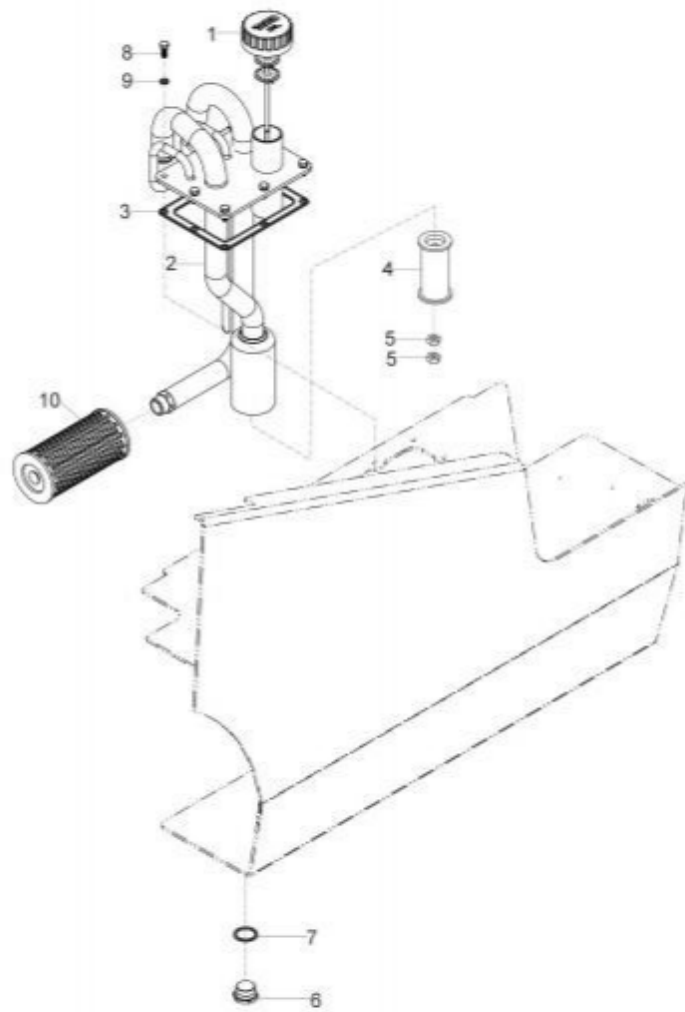
K2TJ7-50001 05 Oil tank cover plate and accessories

K2TJ7-50001 05 油箱盖板及附件



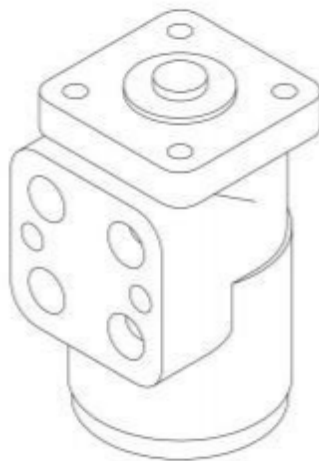
AE937-50001 05 Oil tank

AE937-50001 05 液压油箱



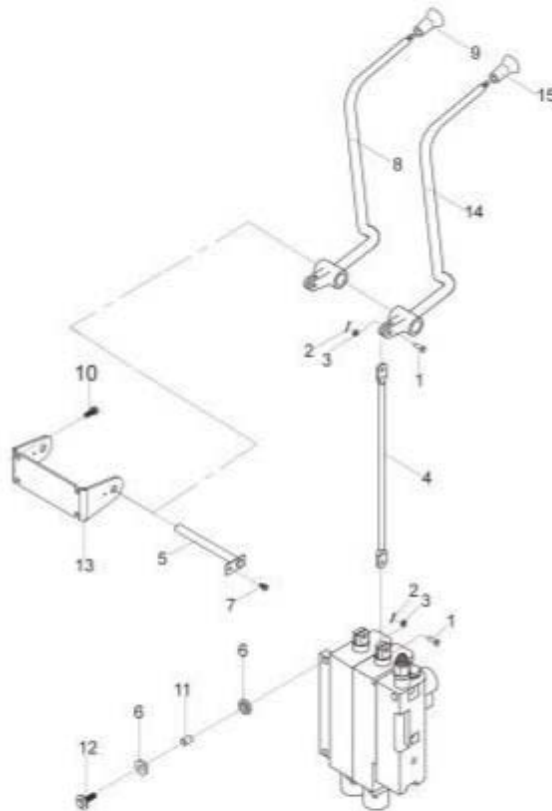
G0064-00051 02 Redirector ass'y

G0064-00051 02 转向器总成



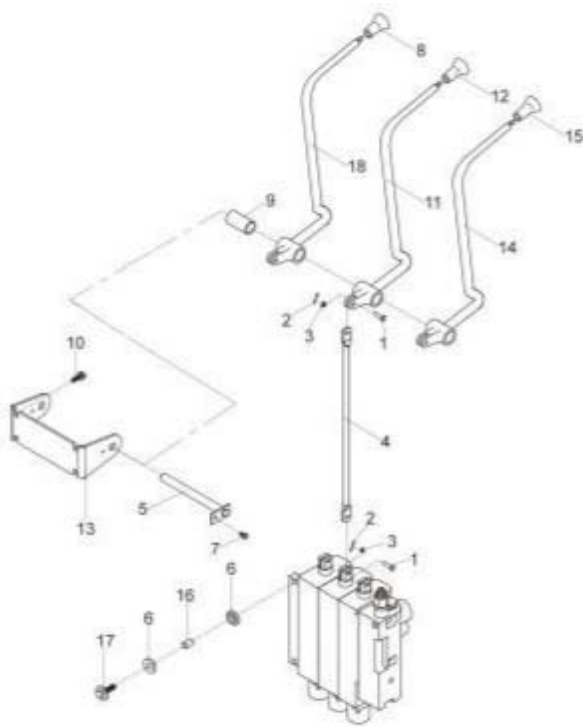
HRKM917401-1 05 Valve control linkage

HRKM917401-1 05 阀操纵总成



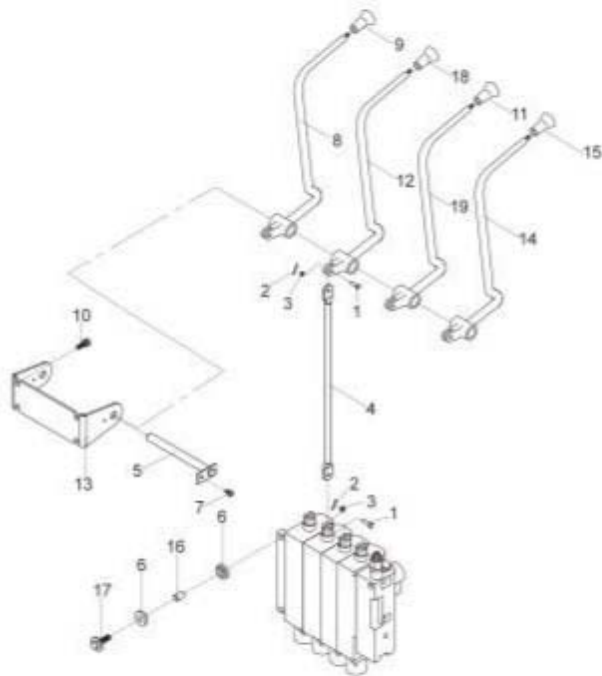
HRKM917401-2 05 Valve control linkage

HRKM917401-2 05 阀操纵总成



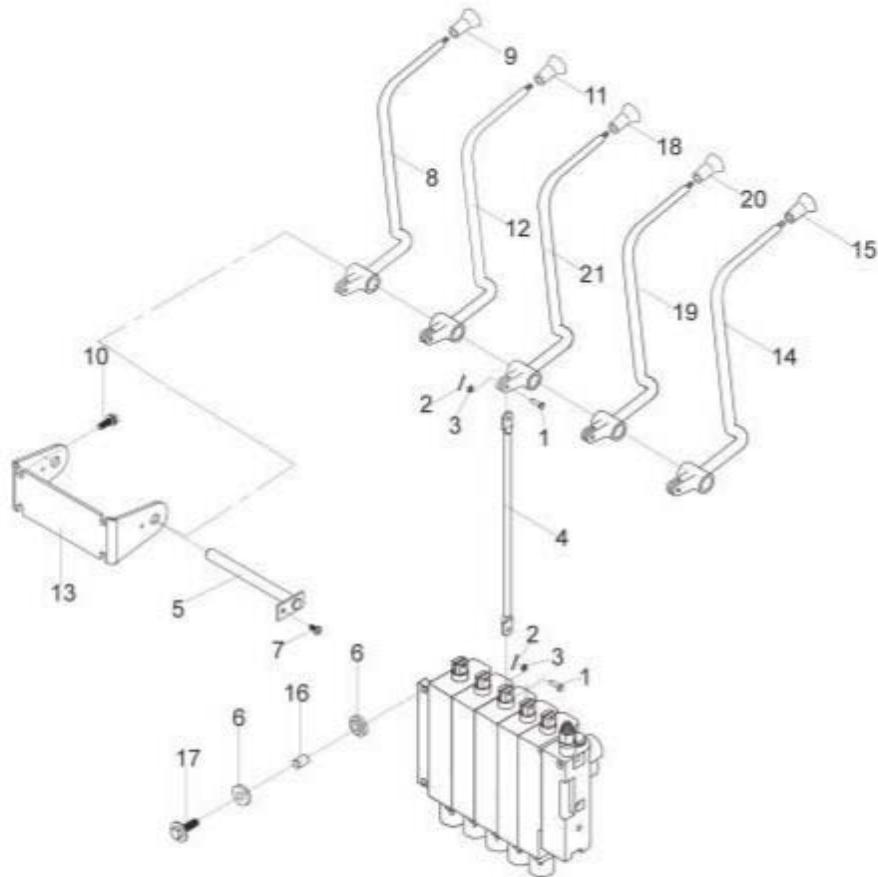
HRKM917401-3 05 Valve control linkage

HRKM917401-3 05 阀操纵总成



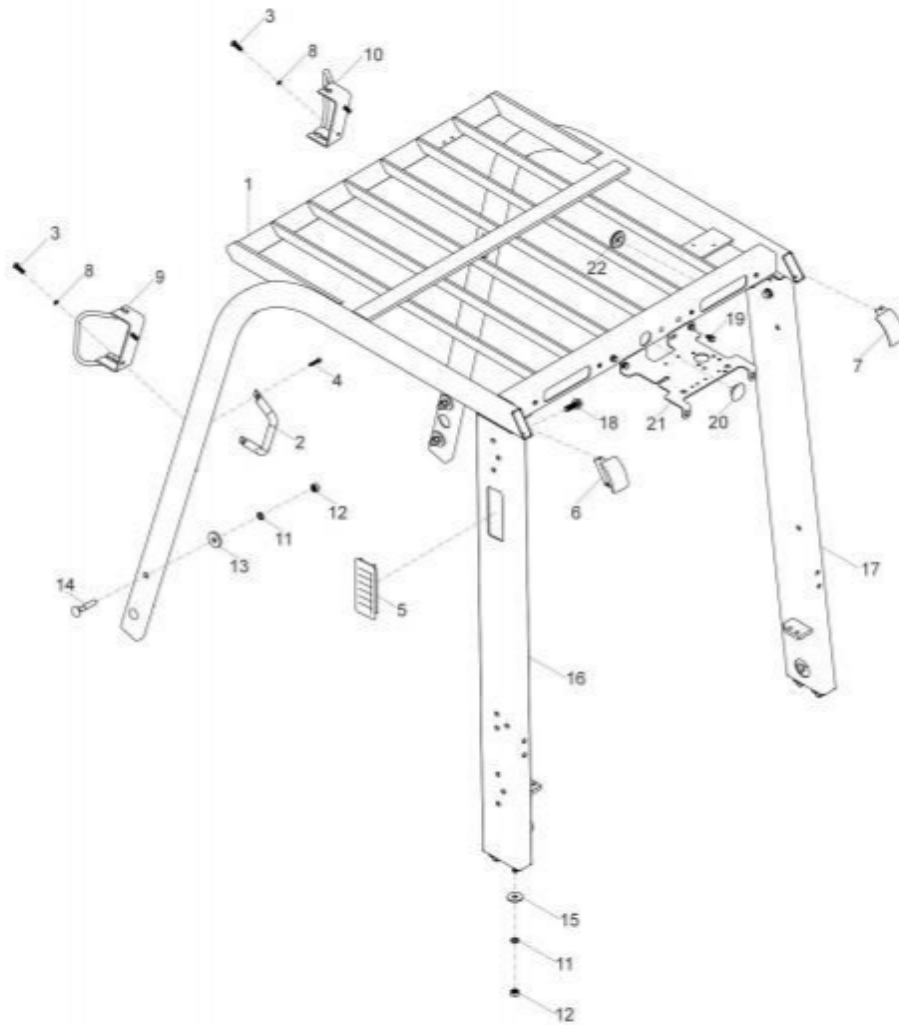
HRKM917401-4 05 Valve control linkage

HRKM917401-4 05 阀操纵总成



K0JW5-10001 00 Roof guard assembly

K0JW5-10001 00 护顶架总成



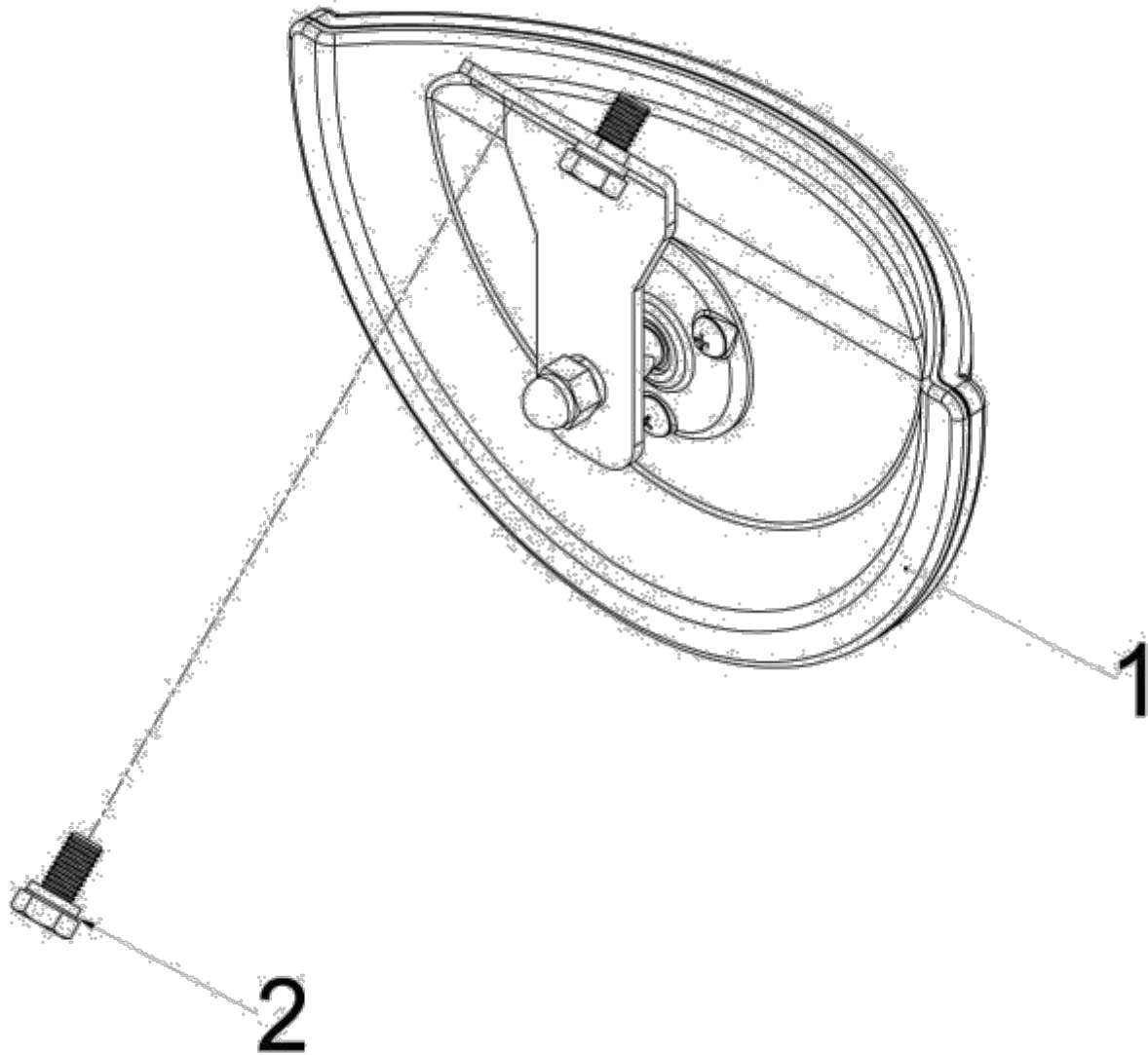
K0JW5-10001 00 Roof guard assembly

K0JW5-10001 00 护顶架总成

序号 No.	零部件代号 Part No.	版本 Edition	名称 Part name		数量 Q'ty	备注 Remark	
1	HRK9FL5101	16	Overhead guard	框架总成	1		
2	A22A5-10412G	03	Handle,grip	把手总成	1		
3	B0330-08025	00	Bolt	螺栓 M8x25	4	GB5783-86	GB5783-86
4	B8030-06030	00	Screw M6x30	螺钉 M6x30	2	GB70-85	GB70-85
5	HY255-12011	02	Intake hood	进气罩	1	For ordinary air filter	用于普通空 滤
6	A22A5-12201GXL	01	Cover	边管罩(左)	1		
7	A22A5-12201GXR	01	Cover	边管罩(右)	1		
8	B5050-00008	00	Washer	垫圈 8	4	GB93-87	GB93-87
9	AF935-10271	01	Bracket L.H.	前大灯支架总成(左)	1		
10	AF935-10261	02	Bracket R.H.	前大灯支架总成(右)	1		
11	B5050-00012	00	Washer	垫圈 12	8	GB93-87	GB93-87
12	B4123-00012	00	Nut	螺母 M12	8	GB6170-86	GB6170-86
13	27354-12341	00	Washer	垫片	4		
14	H24C5-12922	01	Bolt	螺栓	4		
15	B5210-00012	00	Washer	垫圈 12	4	GB96-85	GB96-85
16	K0JW5-10241	00	Rear Support Rod Assembly (Left)	后支撑杆总成 (左)	1	With cab	装驾驶室
16	K0JW5-10201	00	Rear Support Rod Assembly (Left)	后支撑杆总成 (左)	1	Normal	标配
17	K0JW5-10341	00	Rear support rod assembly (right)	后支撑杆总成 (右)	1	With fire extinguisher	装灭火器
17	K0JW5-10301	00	Rear support rod assembly (right)	后支撑杆总成 (右)	1	Normal	标配
17	K0JW5-10311	00	Rear support rod assembly (right)	后支撑杆总成 (右)	1	With cab	装驾驶室
18	B0530-12040-X	00	Combined bolt M12x1.25x40	组合螺栓 M12x1.25x40	4	GB5786,GB 93,GB97. 1	GB5786,GB 93,GB97. 1
19	B0330-08016-X	00	Combined bolt	组合螺栓 M8x16	2	GB/T 9074. 17-88	GB/T 9074. 17-88
20	AP615-12281	00	Decorative cap	装饰盖 φ37	1		
21	KM915-10181	01	License plate rear mounting assembly	后牌照架安装总成	1	Domestic, double air filter vehicle	内销、双空滤 车用
22	H24C2-40701	01	Dusty ring	防尘胶圈	1		

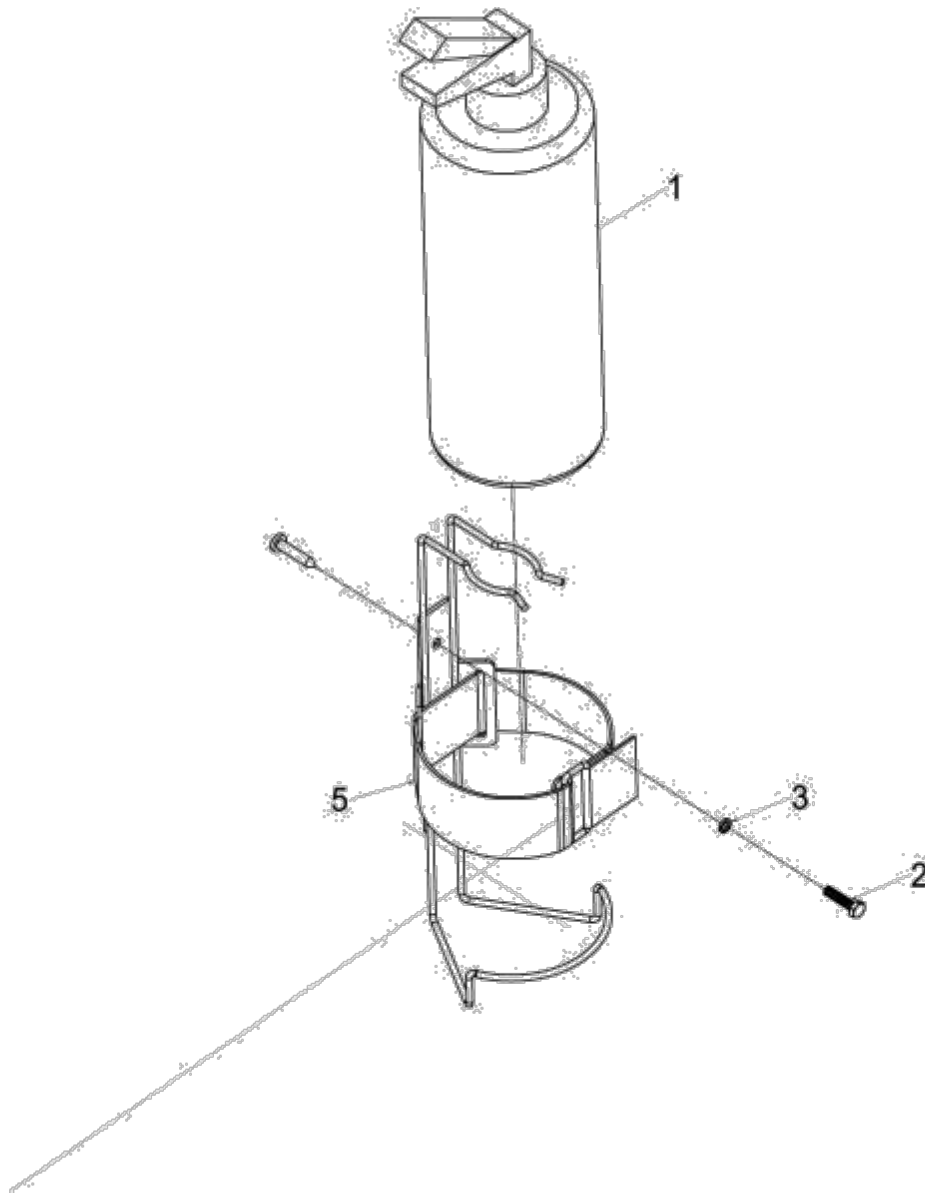
H2MD5-11001 03 Backup,mirror

H2MD5-11001 03 后视镜安装总成



H2MD5-10011 02 Fire extinguisher setting

H2MD5-10011 02 灭火器安装



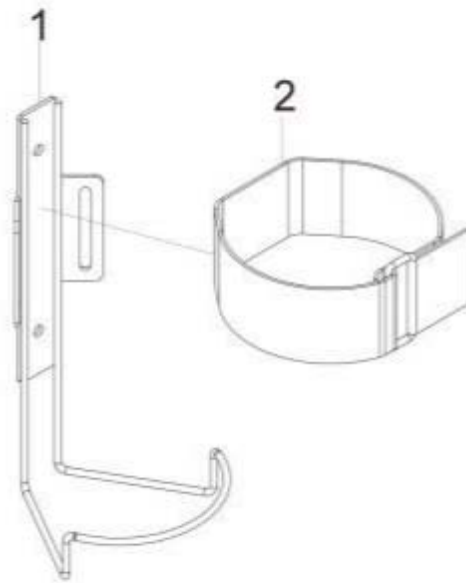
MFZL2-ABC 00

MFZL2-ABC 00 灭火器 ABC 干粉



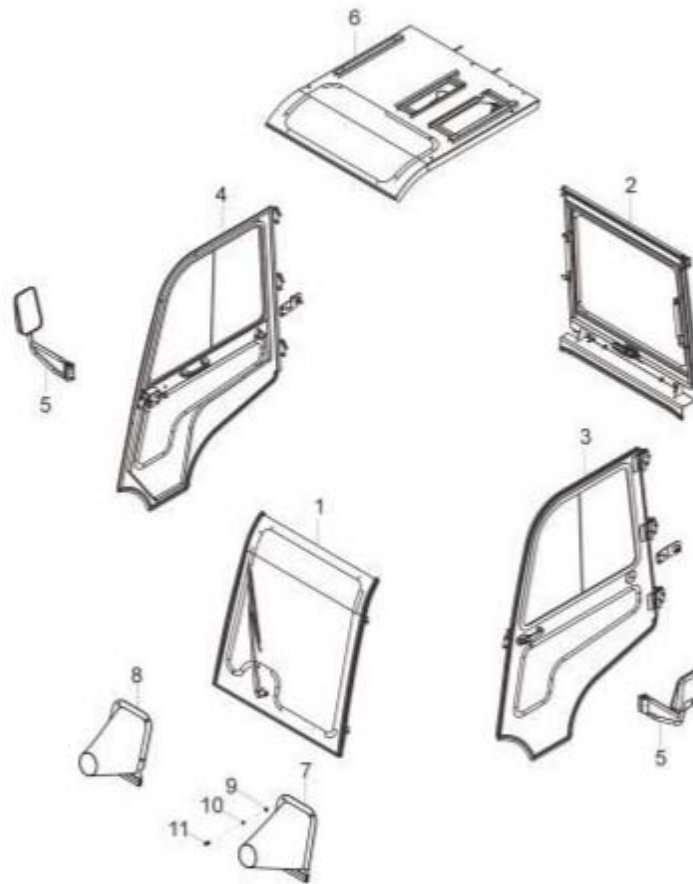
E19S5-10021GJ 00 Bracket

E19S5-10021GJ 00 灭火器支架总成



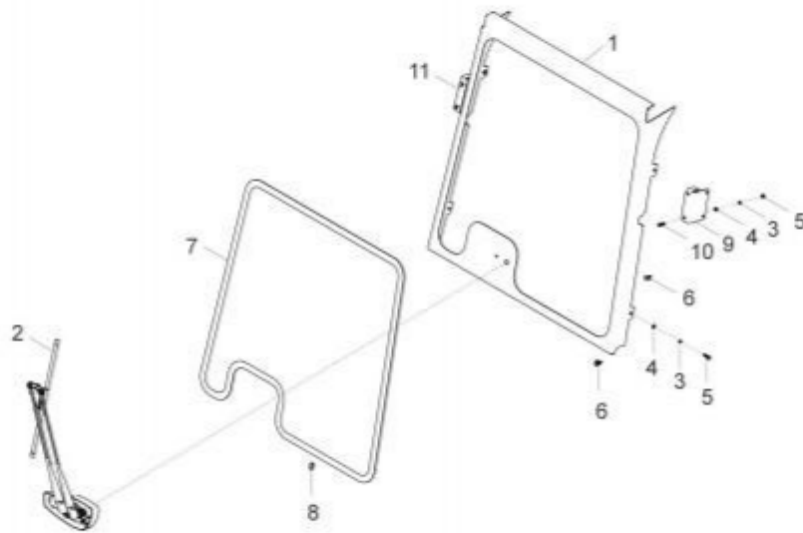
HRK9EL5701 09 K2 series 2-3.5T cab

HRK9EL5701 09 K2 系列 2-3.5t 驾驶室



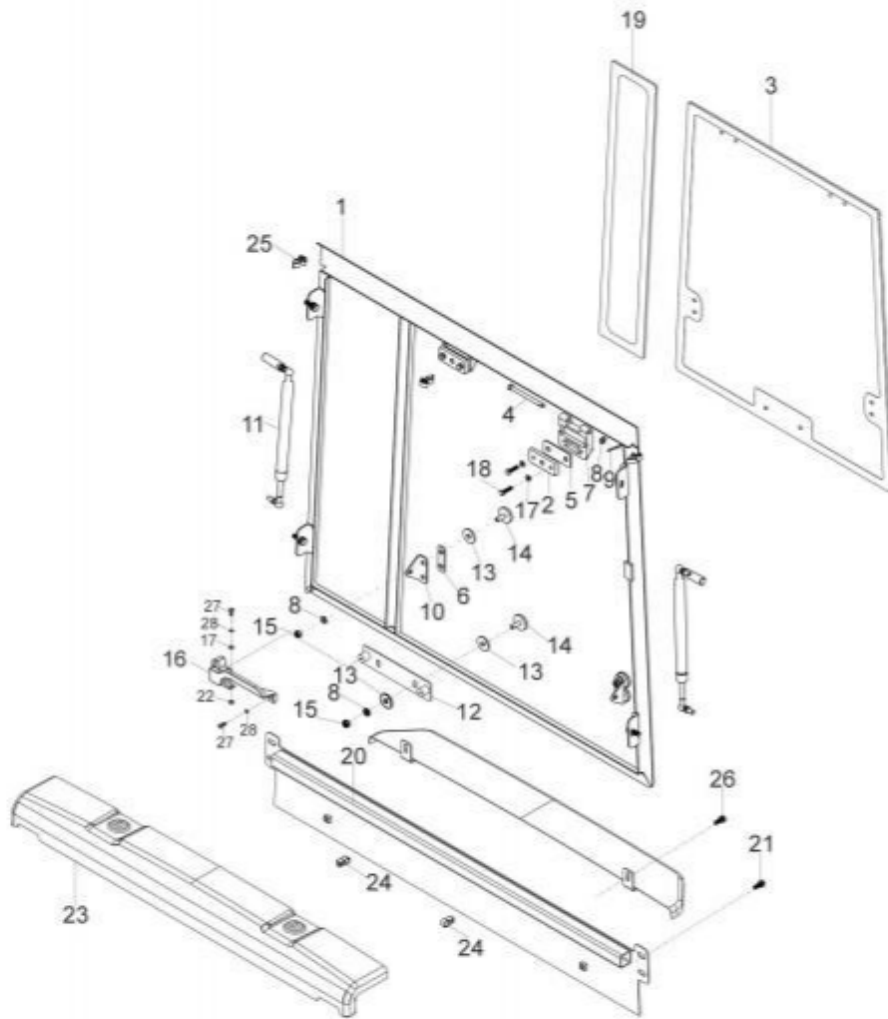
K9EL5-70021GY 01 Front window ass'y

K9EL5-70021GY 01 前窗总成



K9EL5-70501XG 00 Rear window assembly

K9EL5-70501XG 00 后窗总成



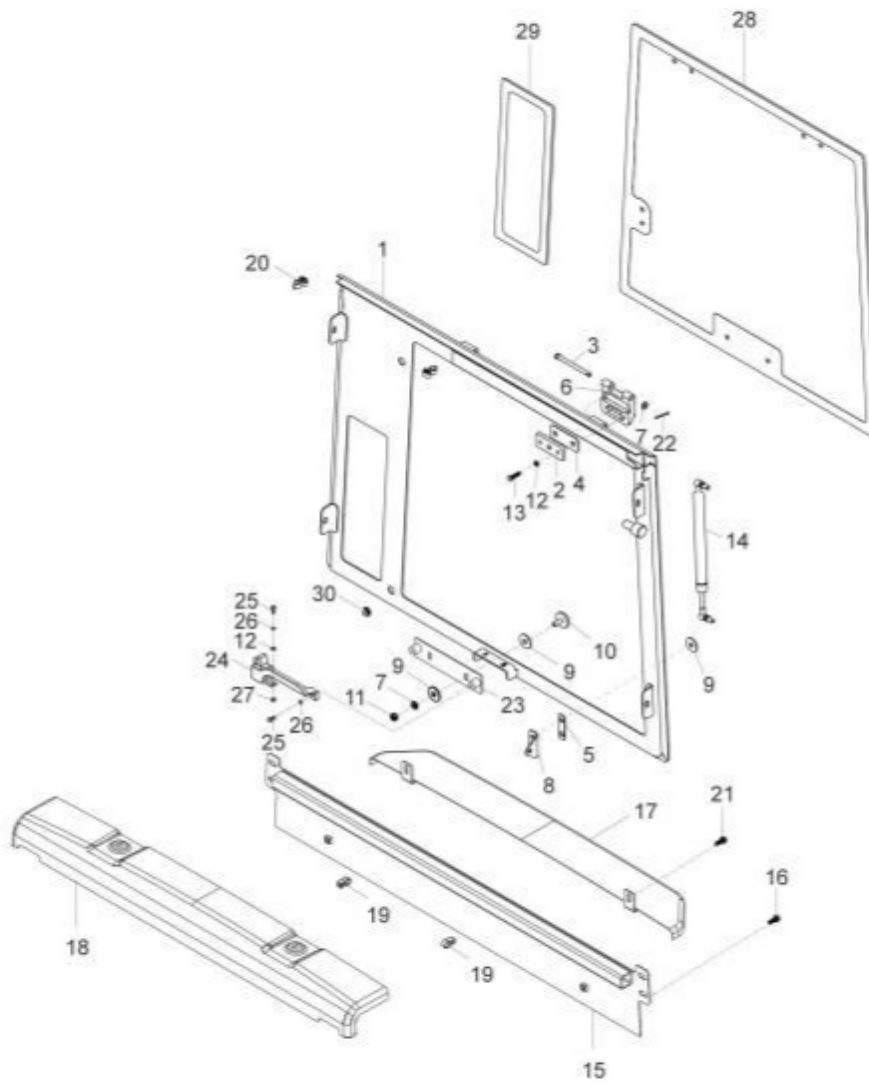
K9EL5-70501XG 00 Rear window assembly

K9EL5-70501XG 00 后窗总成

序号 No.	零部件代号 Part No.	版本 Edition	名称 Part name		数量 Q'ty	备注 Remark	
1	K9EL5-70511XG	00	Rear window jointing	后窗焊接	1		
2	G0U25-75261	00	Plate	塑料垫板	2		
3	H2MD5-75201XG	01	Rear window	后窗玻璃	1		
4	G0U25-75271	01	Shaft	轴	2		
5	G0U25-75281	00	Rubber I	橡胶垫 I	2		
6	G0U25-75291	00	Rubber II	橡胶垫 II	2		
7	G0U25-75001	00	Hinge joint	后窗铰链	2		
8	B5310-00008	00	Washer	垫圈 8	8	GB97.1-85	GB97.1-85
9	B3010-3P230	00	Pin	开口销 3.2x30	2	GB91-86	GB91-86
10	G0U25-75041	00	Bracket	气弹簧支座	2		
11	KM915-72921C	02	Gas spring	气弹簧	2		
12	G0U25-70531A	00	Jointing	衬板焊接	1		
13	G0U25-75301	00	Rubber III	橡胶垫 III	10		
14	G0U25-75051	00	Bolt	塑料嵌件螺栓 M8x23	6		
15	B4123-00008	00	Nut	螺母 M8	6	GB6170-86	GB6170-86
16	DS525-R	00	Handle	后窗把手锁 (右)	1		
17	B5310-00006	00	Washer,lock	垫圈 6	6	GB97.1-85	GB97.1-85
18	B0330-06025	00	Bolt	螺栓 M6x25	4	GB5783-86	GB5783-86
19	H2MD5-75211XG	01	Rear side window glass	后侧窗玻璃	1		
20	K9EL5-70521	00	Rear window jointing	后窗焊接	1		
21	B0330-08025-X	00	Combined bolt	组合螺栓 M8x25	11	GB/T9074.1 7-88	GB/T9074.1 7-88
22	B4123-00006	00	Nut	螺母 M6	2	GB6170-86	GB6170-86
23	K9FL6-42221Q	01	Front radiator cover	前水箱盖板	1		
24	P32F5-73411	01	Seal	密封竖条(直气囊)	2		
25	G0U25-76051	00	Seal	密封条(侧气囊)	3		
26	B0330-08020-X	00	Combined bolt	组合螺栓 M8x20	2	GB/T9074.1 7-88	GB/T9074.1 7-88
27	B1210-06016	00	Screw	螺钉 M6x16	4	GB818-85	GB818-85
28	B5050-00006	00	Washer,lock	垫圈 6	4	GB93-87	GB93-87

K9EL5-70051HYWXD 00 Rear window assembly

K9EL5-70051HYWXD 00 后窗总成



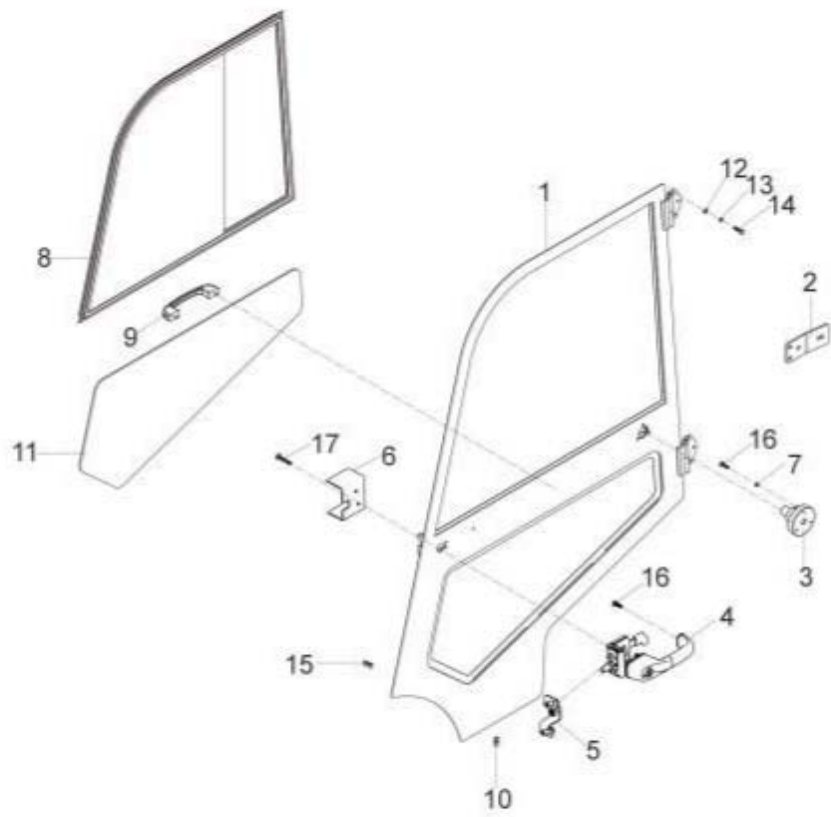
K9EL5-70051HYWXD 00 Rear window assembly

K9EL5-70051HYWXD 00 后窗总成

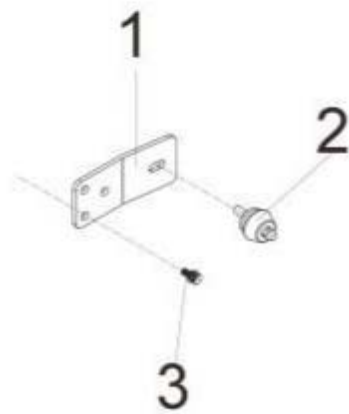
序号 No.	零部件代号 Part No.	版本 Edition	名称 Part name		数量 Q'ty	备注 Remark	
1	K9EL5-70511HYW XD	00	Rear window jointing	后窗焊接	1		
2	G0U25-75261	00	Plate	塑料垫板	2	Outsourcing X1602-254	外购 X1602-254
3	G0U25-75271	01	Shaft	轴	2	X1602-255	X1602-255
4	G0U25-75281	00	Rubber I	橡胶垫 I	2	Outsourcing X1602-256	外购 X1602-256
5	G0U25-75291	00	Rubber II	橡胶垫 II	1	Outsourcing X1602-257	外购 X1602-257
6	G0U25-75001	00	Hinge joint	后窗铰链	2	Outsourcing X1602-232	外购 X1602-232
7	B5310-00008	00	Washer	垫圈 8	4	GB97.1-85	GB97.1-85
8	G0U25-75041	00	Bracket	气弹簧支座	1	X1602-236	X1602-236
9	G0U25-75301	00	Rubber III	橡胶垫 III	6	Outsourcing X1602-258	外购 X1602-258
10	G0U25-75051	00	Bolt	塑料嵌件螺栓 M8x23	2		
11	B4123-00008	00	Nut	螺母 M8	2	GB6170-86	GB6170-86
12	B5310-00006	00	Washer,lock	垫圈 6	6	GB97.1-85	GB97.1-85
13	B0330-06025	00	Bolt	螺栓 M6x25	4	GB5783-86	GB5783-86
14	KM915-72921C	02	Gas spring	气弹簧	1	Outsourcing	外购
15	K9EL5-70521	00	Rear window jointing	后窗焊接	1		
16	B0330-08025-X	00	Combined bolt	组合螺栓 M8x25	8	GB/T 9074.17-88	GB/T 9074.17-88
17	K9FL5-70531HZS	00	Rear radiator cover assembly	后水箱盖板总成	1		
18	K9FL6-42221Q	01	Front radiator cover	前水箱盖板	1		
19	P32F5-73411	01	Sealing vertical bar	密封竖条(直气囊)	2	Outsourcing	外购
20	G0U25-76051	00	Seal	密封条(侧气囊)	3	Outsourcing	外购
21	B0330-08020-X	00	Combined bolt	组合螺栓 M8x20	2	GB/T 9074.17-88	GB/T 9074.17-88
22	B3010-3P230	00	Pin	开口销 3.2x30	2	GB91-86	GB91-86
23	G0U25-70531A	00	Jointing	衬板焊接	1		
24	DS525-R	00	Handle	后窗把手锁(右)	1		
25	B1210-06016	00	Screw	螺钉 M6x16	4	GB818-85	GB818-85
26	B5050-00006	00	Washer,lock	垫圈 6	4	GB93-87	GB93-87
27	B4123-00006	00	Nut	螺母 M6	2	GB6170-86	GB6170-86
28	H2EF5-72131	01	Rear window	后窗玻璃	1		
29	H2MD5-75211H	01	Rear side window glass	后侧窗玻璃	1		
30	A65E5-10311	02	Rubber ring	出线胶圈	2		

K9FL5-70041XL 01 Side door assembly L.H.

K9FL5-70041XL 01 左侧门总成

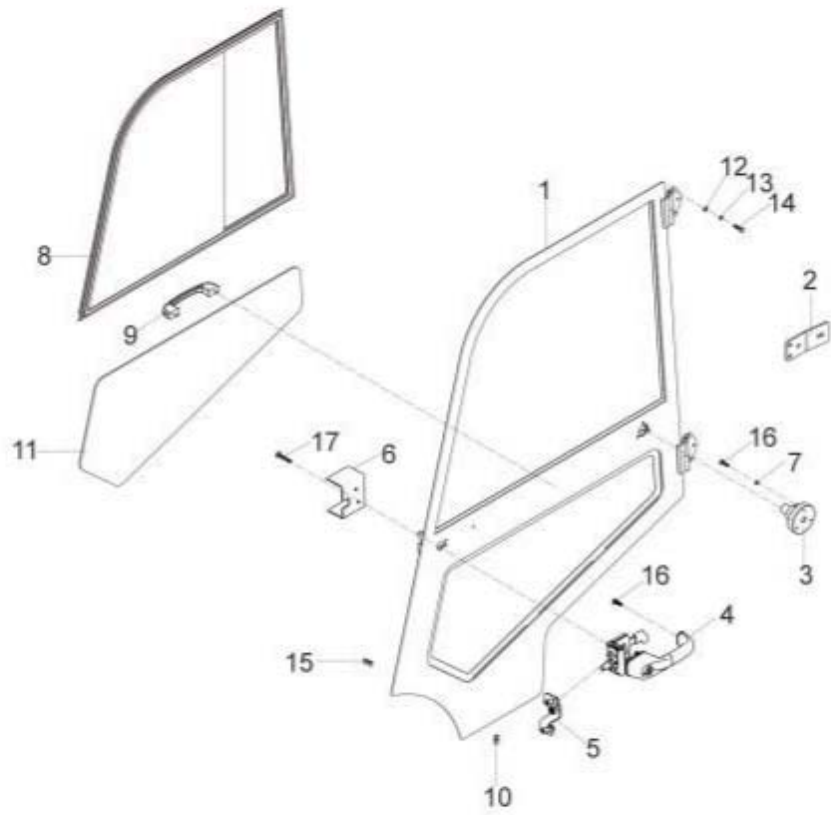


K9FL5-70441X 00 Limit element
K9FL5-70441X 00 侧门限位机构

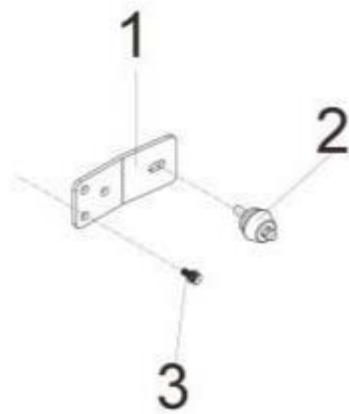


K9FL5-70041XR 01 Side door ass'y R.H.

K9FL5-70041XR 01 右侧门总成

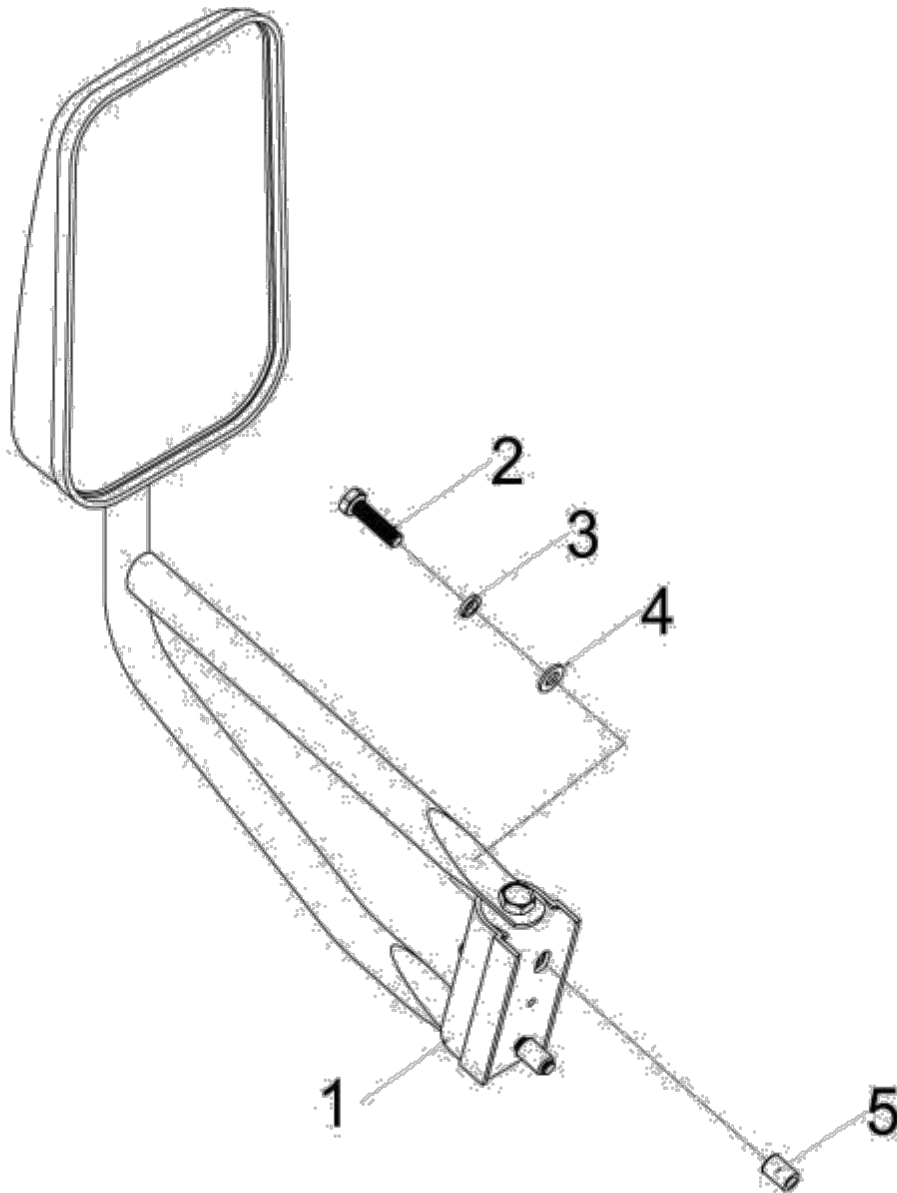


K9FL5-70441X 00 Limit element
K9FL5-70441X 00 侧门限位机构



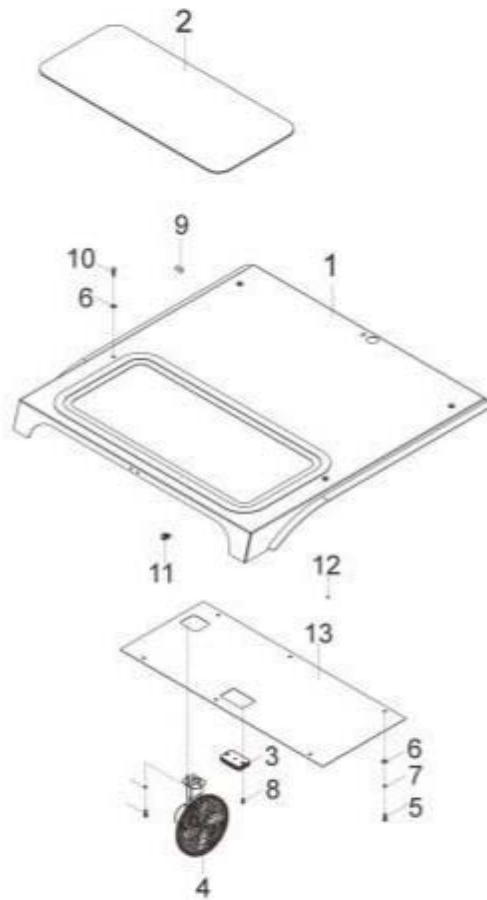
H43E5-71341 03 President of mirror installation

H43E5-71341 03 倒车镜安装总成



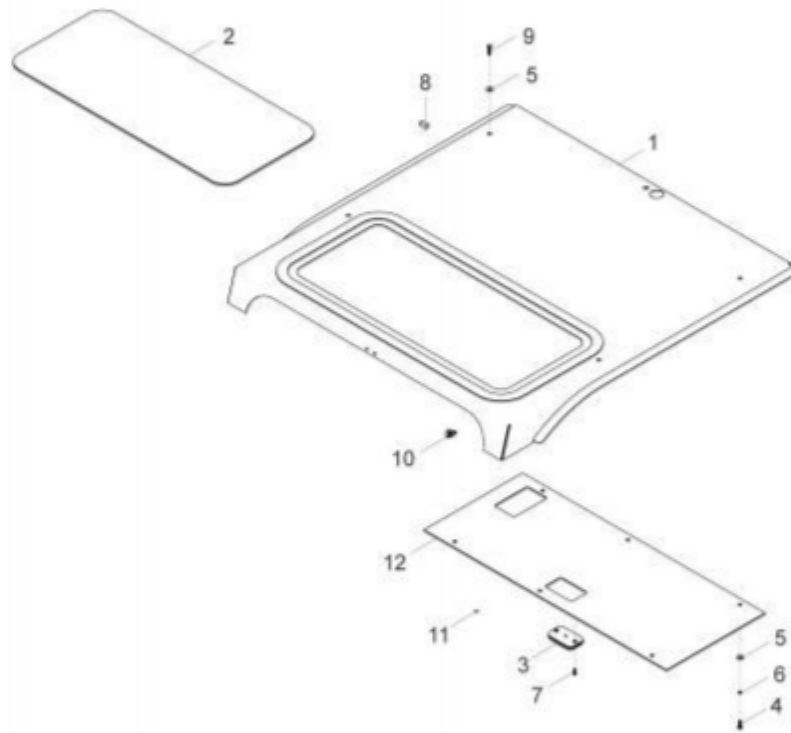
K9FL5-70031A 05 Coping assembly

K9FL5-70031A 05 顶部总成



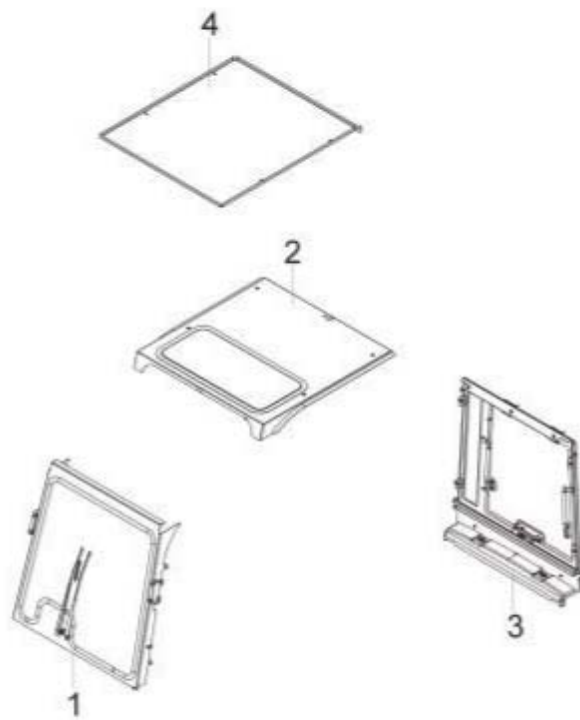
K9FL5-70031AHZS 00 Coping assembly

K9FL5-70031AHZS 00 顶部总成（后置式空调）



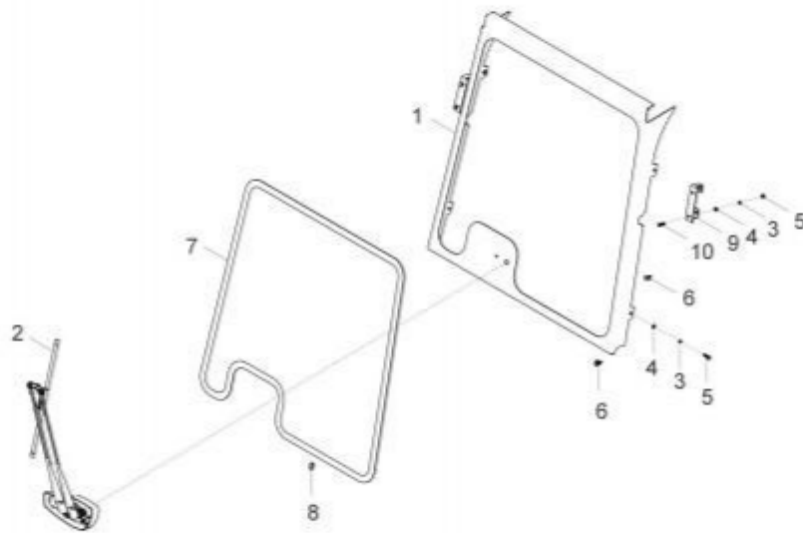
HRK9EL5901 03 Wind-shield equipments

HRK9EL5901 03 K2 系列 2-3.5t 挡风类



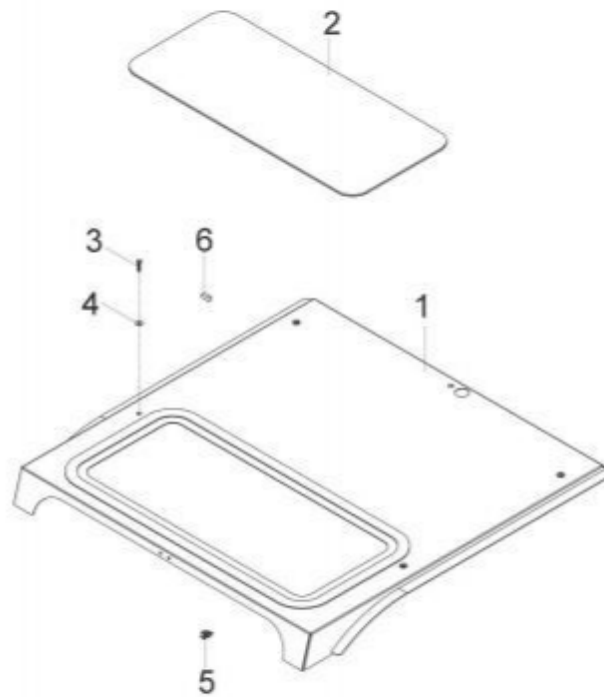
K9EL5-70021Q 00 Front window ass'y

K9EL5-70021Q 00 前窗总成



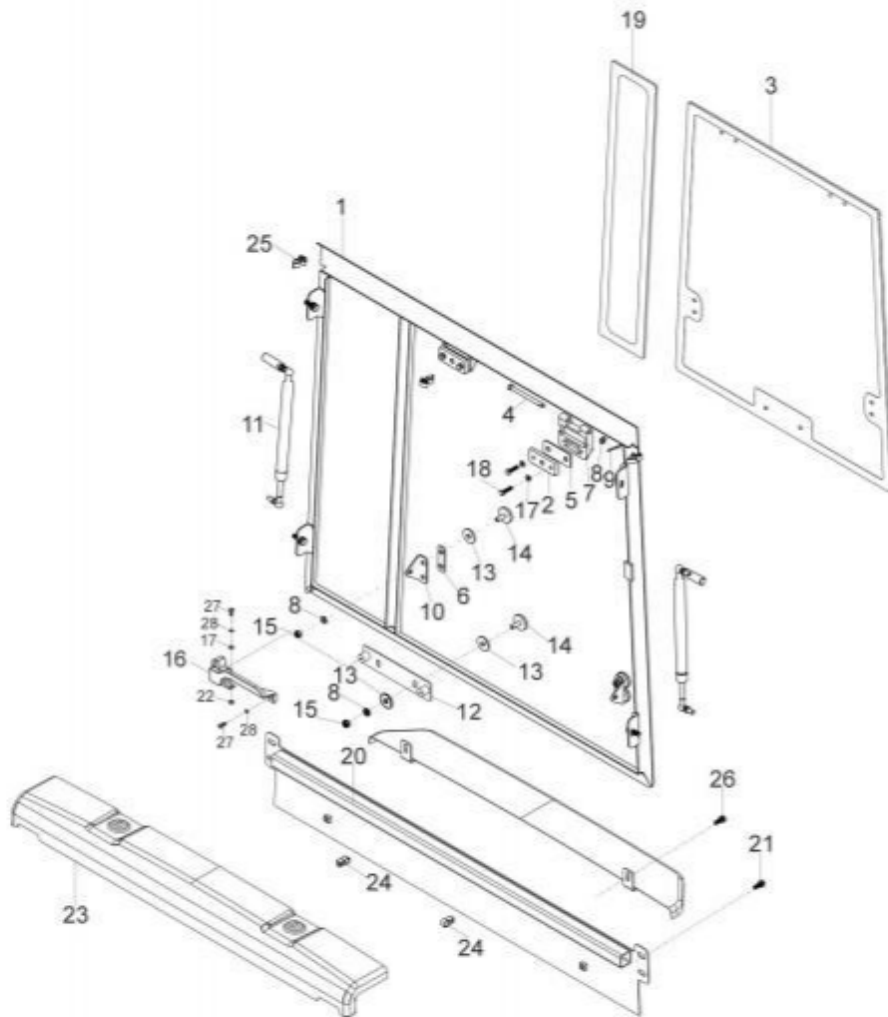
K9FL5-70031D 01 Coping assembly

K9FL5-70031D 01 顶部总成



K9EL5-70501XG 00 Rear window assembly

K9EL5-70501XG 00 后窗总成



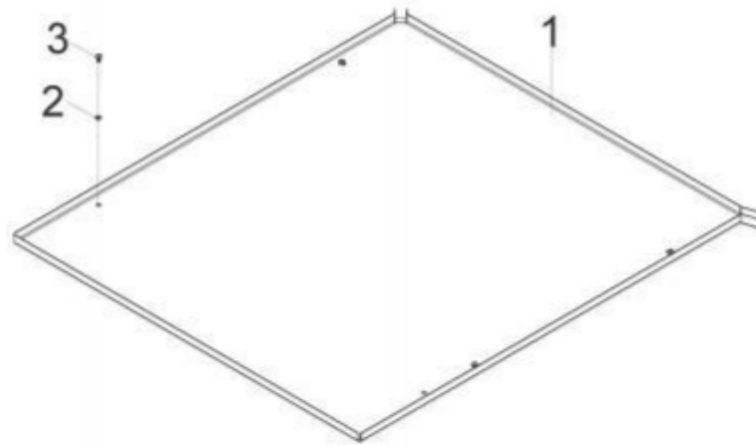
K9EL5-70501XG 00 Rear window assembly

K9EL5-70501XG 00 后窗总成

序号 No.	零部件代号 Part No.	版本 Edition	名称 Part name		数量 Q'ty	备注 Remark	
1	K9EL5-70511XG	00	Rear window jointing	后窗焊接	1		
2	G0U25-75261	00	Plate	塑料垫板	2		
3	H2MD5-75201XG	01	Rear window	后窗玻璃	1		
4	G0U25-75271	01	Shaft	轴	2		
5	G0U25-75281	00	Rubber I	橡胶垫 I	2		
6	G0U25-75291	00	Rubber II	橡胶垫 II	2		
7	G0U25-75001	00	Hinge joint	后窗铰链	2		
8	B5310-00008	00	Washer	垫圈 8	8	GB97.1-85	GB97.1-85
9	B3010-3P230	00	Pin	开口销 3.2x30	2	GB91-86	GB91-86
10	G0U25-75041	00	Bracket	气弹簧支座	2		
11	KM915-72921C	02	Gas spring	气弹簧	2		
12	G0U25-70531A	00	Jointing	衬板焊接	1		
13	G0U25-75301	00	Rubber III	橡胶垫 III	10		
14	G0U25-75051	00	Bolt	塑料嵌件螺栓 M8x23	6		
15	B4123-00008	00	Nut	螺母 M8	6	GB6170-86	GB6170-86
16	DS525-R	00	Handle	后窗把手锁 (右)	1		
17	B5310-00006	00	Washer,lock	垫圈 6	6	GB97.1-85	GB97.1-85
18	B0330-06025	00	Bolt	螺栓 M6x25	4	GB5783-86	GB5783-86
19	H2MD5-75211XG	01	Rear side window glass	后侧窗玻璃	1		
20	K9EL5-70521	00	Rear window jointing	后窗焊接	1		
21	B0330-08025-X	00	Combined bolt	组合螺栓 M8x25	11	GB/T9074.1 7-88	GB/T9074.1 7-88
22	B4123-00006	00	Nut	螺母 M6	2	GB6170-86	GB6170-86
23	K9FL6-42221Q	01	Front radiator cover	前水箱盖板	1		
24	P32F5-73411	01	Seal	密封竖条(直气囊)	2		
25	G0U25-76051	00	Seal	密封条(侧气囊)	3		
26	B0330-08020-X	00	Combined bolt	组合螺栓 M8x20	2	GB/T9074.1 7-88	GB/T9074.1 7-88
27	B1210-06016	00	Screw	螺钉 M6x16	4	GB818-85	GB818-85
28	B5050-00006	00	Washer,lock	垫圈 6	4	GB93-87	GB93-87

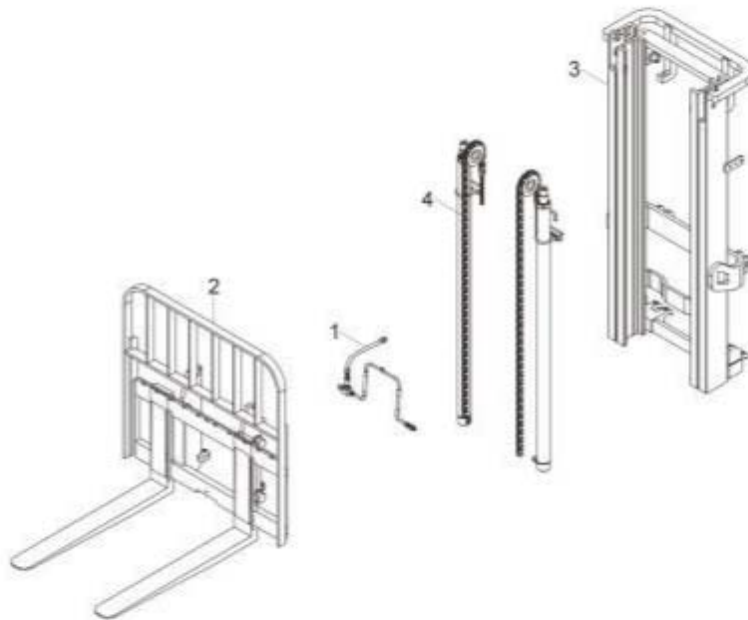
H2MD5-70101 00 Iron sheet ceiling assembly

H2MD5-70101 00 铁皮顶棚总成



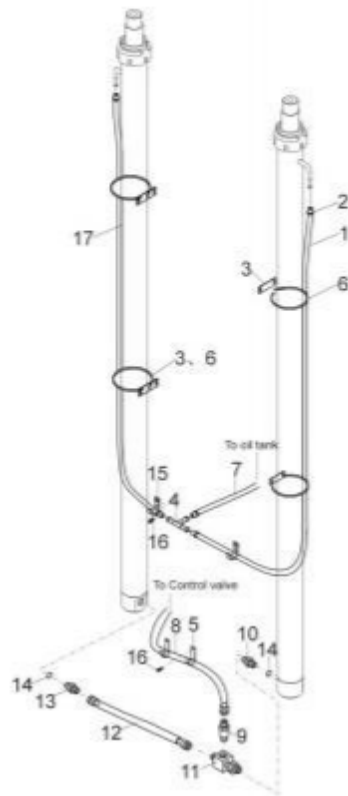
HRD9DL8001 04 2-2.5T Lifting system

HRD9DL8001 04 2-2.5T 起重系统(M)



HRD9FL8601 11 Mast hydraulic system

HRD9FL8601 11 门架管路系统（公制 24° 锥）

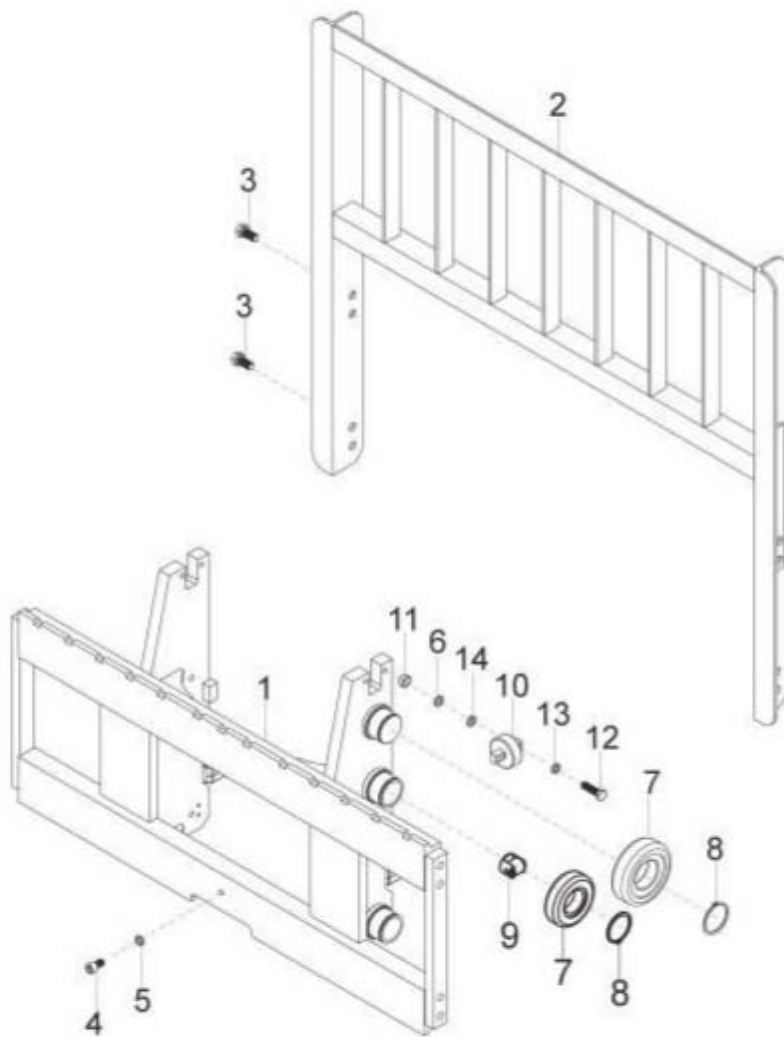


门架管路系统选用件
Selection of Portal Piping System

起升高度 Lifting Height	序号01塑料回油管 Serial number 01, plastic tubing		序号17塑料回油管 Serial number 17, plastic tubing	
	2t, 3.5t, 3.8t	3t	2t, 3.5t, 3.8t	3t
M200	Z7400-12130	Z7400-12125	Z7400-12065	Z7400-12060
225	Z7400-12145	Z7400-12140	Z7400-12075	Z7400-12070
250	Z7400-12155	Z7400-12150	Z7400-12090	Z7400-12085
270	Z7400-12165	Z7400-12160	Z7400-12100	Z7400-12095
300	Z7400-12180	Z7400-12175	Z7400-12115	Z7400-12110
330	Z7400-12195	Z7400-12190	Z7400-12130	Z7400-12125
350	Z7400-12205	Z7400-12200	Z7400-12140	Z7400-12135
370	Z7400-12215	Z7400-12210	Z7400-12150	Z7400-12145
400	Z7400-12235	Z7400-12230	Z7400-12170	Z7400-12165
425	Z7400-12250	Z7400-12245	Z7400-12185	Z7400-12180
450	Z7400-12260	Z7400-12255	Z7400-12195	Z7400-12190
475	Z7400-12275	Z7400-12270	Z7400-12210	Z7400-12205
500	Z7400-12285	Z7400-12280	Z7400-12220	Z7400-12215
550	Z7400-12315	Z7400-12310	Z7400-12250	Z7400-12245
600	Z7400-12340	Z7400-12335	Z7400-12275	Z7400-12270

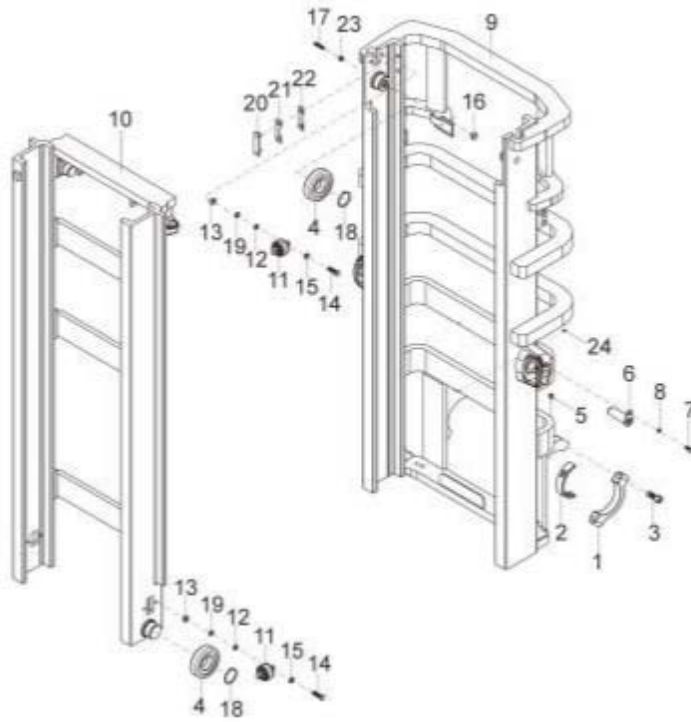
HRD9DL8001-1 04 Lift bracket & backrest

HRD9DL8001-1 04 货叉架及挡货架



HRD9DL8001-2 04 Mast

HRD9DL8001-2 04 门架

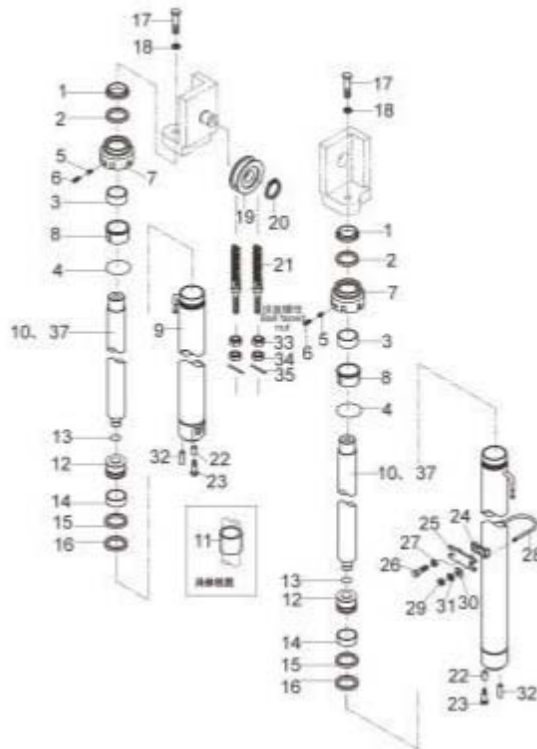


门架选用件表
MAST OPTIONAL PARTS

起升高度 LIFTING HEIGHT	外门架总成 OUTER MAST	内门架总成 INNER MAST	备注 REMARK
M200	HRD9DL8301 D90L8-30011-SS	HRD9DL8302 D90L8-31011-SS	
225	HRD9DL8301 D90L8-30021-SS	HRD9DL8302 D90L8-31021-SS	
250	HRD9DL8301 D90L8-30031-SS	HRD9DL8302 D90L8-31031-SS	
270	HRD9DL8301 D90L8-30041-SS	HRD9DL8302 D90L8-31041-SS	
300	HRD9DL8301 D90L8-30001-SS	HRD9DL8302 D90L8-31001-SS	标准STD
330	HRD9DL8301 D90L8-30051-SS	HRD9DL8302 D90L8-31051-SS	
350	HRD9DL8301 D90L8-30061-SS	HRD9DL8302 D90L8-31061-SS	
370	HRD9DL8301 D90L8-30071-SS	HRD9DL8302 D90L8-31071-SS	
400	HRD9DL8301 D90L8-30081-SS	HRD9DL8302 D90L8-31081-SS	
425	HRD9DL8301 D90L8-30091-SS	HRD9DL8302 D90L8-31091-SS	
450	HRD9DL8301 D90L8-30101-SS	HRD9DL8302 D90L8-31101-SS	
475	HRD9DL8301 D90L8-30111-SS	HRD9DL8302 D90L8-31111-SS	
500	HRD9DL8301 D90L8-30121-SS	HRD9DL8302 D90L8-31121-SS	
550	HRD9DL8301 D90L8-30131-SS	HRD9DL8302 D90L8-31131-SS	
600	HRD9DL8301 D90L8-30141-SS	HRD9DL8302 D90L8-31141-SS	

HRD9DL8401 04 Rear lift cylinder mounting

HRD9DL8401 04 后起升油缸安装图



起升油缸安装选用件 LIFT CYLINDER MOUNTING OPTION TABLE				
起升高度 LIFTING HEIGHT	起升油缸 (左) LIFT CYLINDER (LEFT)	链条总成 CHAIN ASS'Y	调整套 SPACER	备注 REMARK
200	02KD8-40311	HLRH1234021-71		
225	02KD8-4225 1L	HLRH1234021-77		
250	02KD8-40321	HLRH1234021-85		
270	02KD8-40331	HLRH1234021-89		
300	02KD8-40341	HLRH1234021-97		标准 std
330	02KD8-40351	HLRH1234021-105		
350	02KD8-40361	HLRH1234021-111		
370	02KD8-40371	HLRH1234021-115		
400	02KD8-40381	HLRH1234021-127	50	
425	02KD8-40391	HLRH1234021-133	50	
450	02KD8-40401	HLRH1234021-139	50	
475	02KD8-40411	HLRH1234021-145	50	
500	02KD8-40421	HLRH1234021-153	50	
550	02KD8-40431	HLRH1234021-169	100	
600	02KD8-40441	HLRH1234021-181	100	

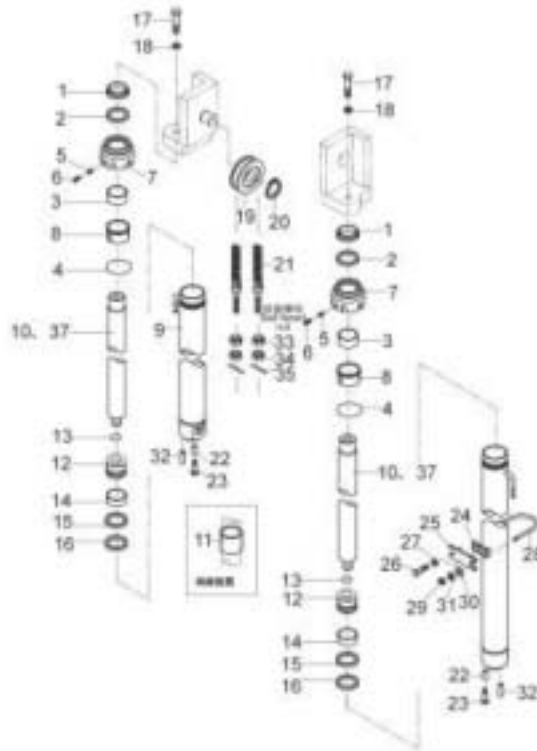
HRD9DL8401 04 Rear lift cylinder mounting

HRD9DL8401 04 后起升油缸安装图

序号 No.	零部件代号 Part No.	版本 Edition	名称 Part name		数量 Q'ty	备注 Remark	
1	23650-83581	00	Dust ring	防尘圈	2		
2	23918-52161	00	U-ring	U 型圈	2		
3	C0 0637	00	O-ring 49.7x2.7	O 型密封圈 49.7x2.7	2		
4	GQC050XS-01	00	Guide sleeve	导向套	2		
5	Z2113-04030	00	Bushing 4030	钢背轴承 4030	2		
6	D2KD8.1-00	00	Cylinder body	缸体	2		
7	D2KD8-01	00	Piston rod	活塞杆	2		
8	D20B8-42381	00	Snap ring	钢丝挡圈	2		
9	TZT-40	00	Spacer	调整套	2	See table	见附表
10	GQC050QR-03	00	Piston	活塞	2		
11	27970-53141	00	Wearing	孔用支撑环 50x45x20	2		
12	23650-83531	00	Catch 50x40x3	挡片 50x40x3	2		
13	23650-83521	00	U-shaped seal	U 型密封圈	2		
14	GQC055DL4-07	00	Sleeve	套	2		
15	GQC055DL4-08	00	Snap ring	钢丝挡圈	2		
16	B3140-10026	00	Pin D10x26	销 D10x26	2	GB119-86	GB119-86
17	B0530-16040-X1	00	Combined bolt M16x1.5x40	组合螺栓 M16x1.5x40	2	GB5786,GB 93-87	GB5786,GB 93-87
18	23917-42191-3	00	Washer	垫圈	1		
19	D2KD8-74011	01	Sheave	链轮	2		
20	B6150-00040	00	Snap ring	挡圈 40	2	GB894. 1-86	GB894.1-86
21	HRLH1234021-N	02	Chain assembly	链条总成	2	See table,include 32-34	见附表,包含 32-34
22	D20B8-42031	01	Spacer	隔套	2		
23	B0530-12025	00	Bolt M12x1.25x25	螺栓 M12x1.25x25	2	GB5786-86	GB5786-86
24	B5050-00010	00	Washer	垫圈 10	4	GB93-87	GB93-87
25	B0230-10045	00	Bolt	螺栓 M10x45	4	GB5782-86	GB5782-86
26	DE778-42031	00	Cushion	减震块	2		
27	DE778-42041	00	Plate	垫板	2		
28	DE778-42051	00	Shim	调整垫片	2		
29	DE778-42061	00	Shim	调整垫片	2		
30	DE778-42021	00	Lock plate	卡板	2		
31	DE778-40211	00	Plate assembly	卡板总成	2		

HRD9DL8401 04 Rear lift cylinder mounting

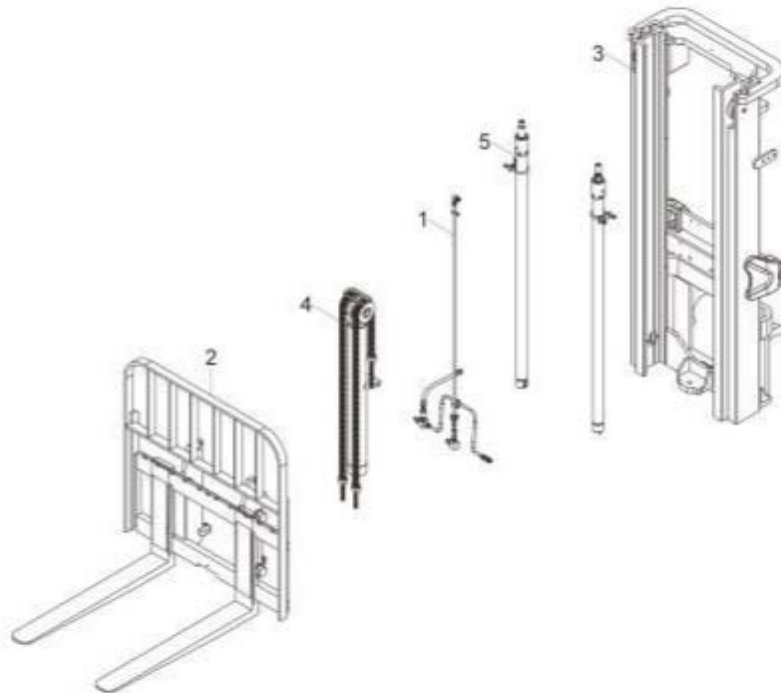
HRD9DL8401 04 后起升油缸安装图



起升油缸安装选用件 LIFT CYLINDER MOUNTING OPTION TABLE				
起升高度 LIFTING HEIGHT	起升油缸 (号) LIFT CYLINDER (LEFT)	链条节数 CHAIN SIZE	调整量 SPACER	备注 REMARK
800	02K00-40311	HRLH1234021-71		
225	02K00-40201L	HRLH1234021-77		
260	02K00-40321	HRLH1234021-80		
270	02K00-40331	HRLH1234021-85		
300	02K00-40341	HRLH1234021-97		链条 51#
330	02K00-40351	HRLH1234021-100		
350	02K00-40361	HRLH1234021-111		
370	02K00-40371	HRLH1234021-116		
400	02K00-40381	HRLH1234021-127	50	
425	02K00-40391	HRLH1234021-133	50	
450	02K00-40401	HRLH1234021-139	50	
475	02K00-40411	HRLH1234021-145	50	
500	02K00-40421	HRLH1234021-153	50	
550	02K00-40431	HRLH1234021-169	100	
600	02K00-40441	HRLH1234021-181	100	

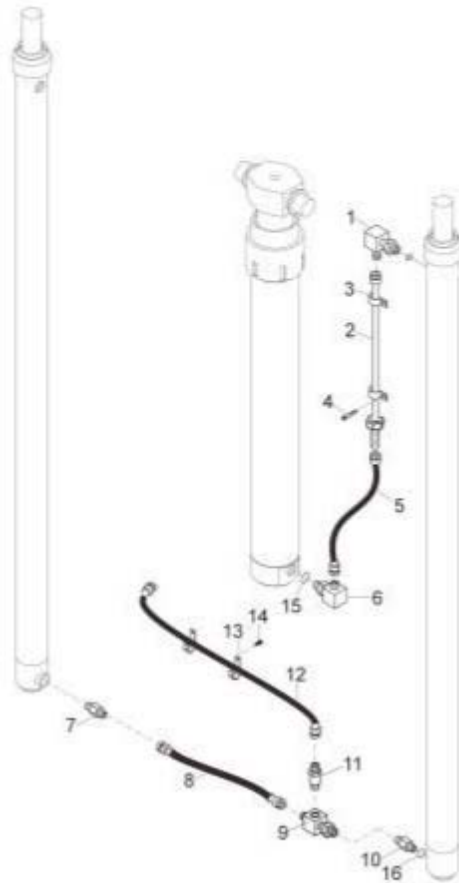
HRDK2H8001 03 2-2.5T Lifting system

HRDK2H8001 03 2-2.5T 起重系统(ZM)



HRDK3H8601 07 Mast hydraulic system

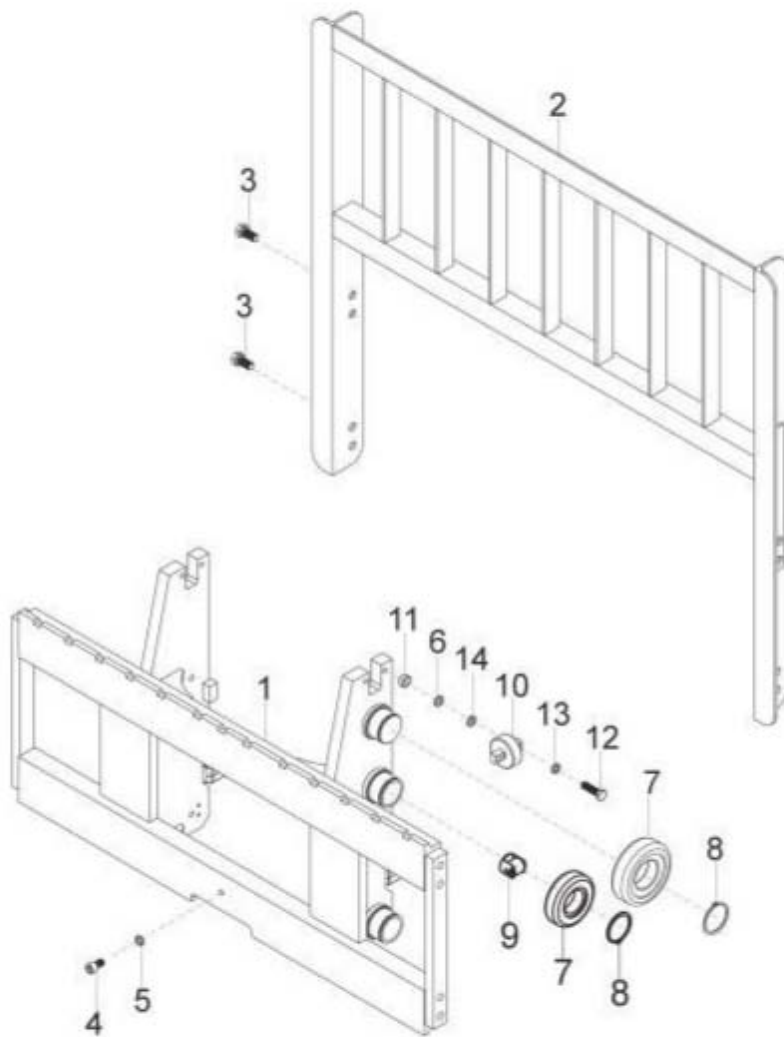
HRDK3H8601 07 门架管路系统(24° 锥)



门架管路系统选用件 MAST HYDRAULIC SYSTEM OPTION TABLE		
起升高度 LIFTING HEIGHT	序号02钢管总成 ITEM NO.02 STEEL PIPE ASS'Y	备注 REMARK
2000	DK3HB-61011	
250	DK3HB-61021	
270	DK3HB-61031	
300	DK3HB-61041	
330	DK3HB-61051	
350	DK3HB-61061	
370	DK3HB-61071	
400	DK3HB-61081	
425	DK3HB-61091	
450	DK3HB-61101	
475	DK3HB-61111	
500	DK3HB-61121	
550	DK3HB-61131	
600	DK3HB-61141	

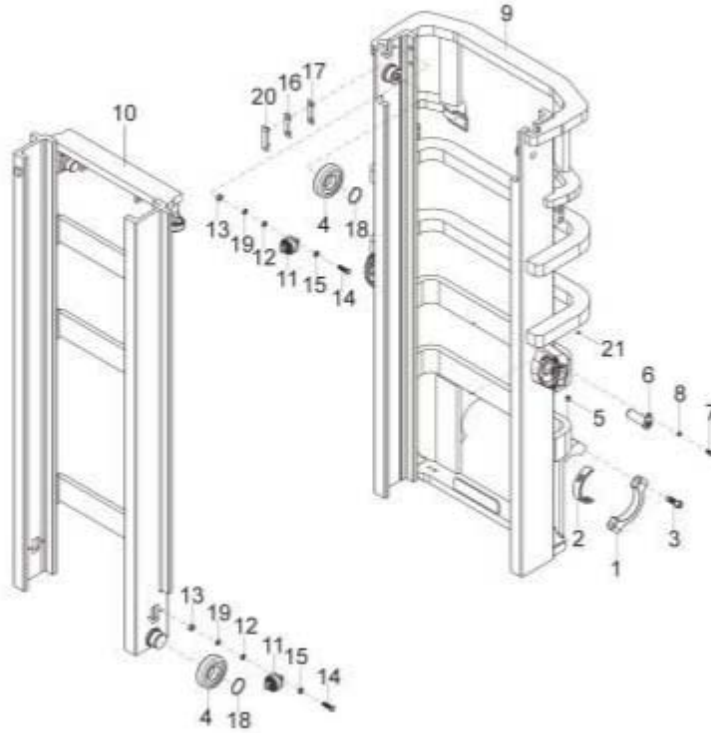
HRDK2H8001-1 03 Lift bracket & backrest

HRDK2H8001-1 03 货叉架及挡货架



HRDK2H8001-2 03 Mast

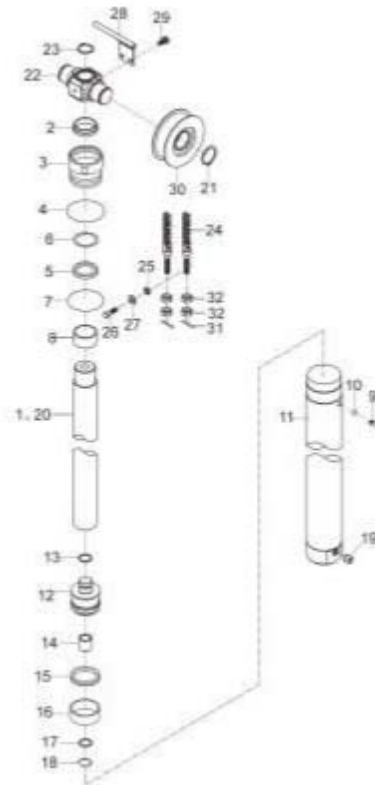
HRDK2H8001-2 03 门架



门架选用件 MAST OPTION TABLE			
起升高度 LIFTING HEIGHT	外门架总成 OUTER MAST	内门架总成 INNER MAST	备注 REMARK
2000	HRDK2H8301 DK2H8-30011	HRDK2H8302 DK2H8-30211	
225	HRDK2H8301 DK2H8-30021	HRDK2H8302 DK2H8-30221	
250	HRDK2H8301 DK2H8-30031	HRDK2H8302 DK2H8-30231	
270	HRDK2H8301 DK2H8-30041	HRDK2H8302 DK2H8-30241	
300	HRDK2H8301 DK2H8-30051	HRDK2H8302 DK2H8-30251	标准 std
330	HRDK2H8301 DK2H8-30061	HRDK2H8302 DK2H8-30261	
350	HRDK2H8301 DK2H8-30071	HRDK2H8302 DK2H8-30271	
370	HRDK2H8301 DK2H8-30081	HRDK2H8302 DK2H8-30281	
400	HRDK2H8301 DK2H8-30091	HRDK2H8302 DK2H8-30291	
425	HRDK2H8301 DK2H8-30101	HRDK2H8302 DK2H8-30301	
450	HRDK2H8301 DK2H8-30111	HRDK2H8302 DK2H8-30311	
475	HRDK2H8301 DK2H8-30121	HRDK2H8302 DK2H8-30321	
500	HRDK2H8301 DK2H8-30131	HRDK2H8302 DK2H8-30331	
550	HRDK2H8301 DK2H8-30141	HRDK2H8302 DK2H8-30341	

HRDK2H8401-1 04 Front lift cylinder mounting

HRDK2H8401-1 04 前起升油缸安装图



前起升油缸安装选用件 FRONT LIFT CYLINDER MOUNTING OPTION TABLE			
起升高度 LIFTING HEIGHT	前起升油缸 FRONT LIFT CYLINDER	链条总成 CHAIN ASS'Y	备注 REMARK
2000	DK2P8-40411	HRLH1244011-61	
225	DK2P8-40421	HRLH1244011-67	
250	DK2P8-40431	HRLH1244011-71	
270	DK2P8-40451	HRLH1244011-77	
300	DK2P8-40471	HRLH1244011-79	标准 std
330	DK2P8-40491	HRLH1244011-89	
350	DK2P8-40511	HRLH1244011-93	
370	DK2P8-40531	HRLH1244011-99	
400	DK2P8-40551	HRLH1244011-109	
425	DK2P8-40571	HRLH1244011-115	
450	DK2P8-40581	HRLH1244011-123	
475	DK2P8-40591	HRLH1244011-129	
500	DK2P8-40611	HRLH1244011-135	
550	DK2P8-40631	HRLH1244011-151	
600	DK2P8-40641	HRLH1244011-165	

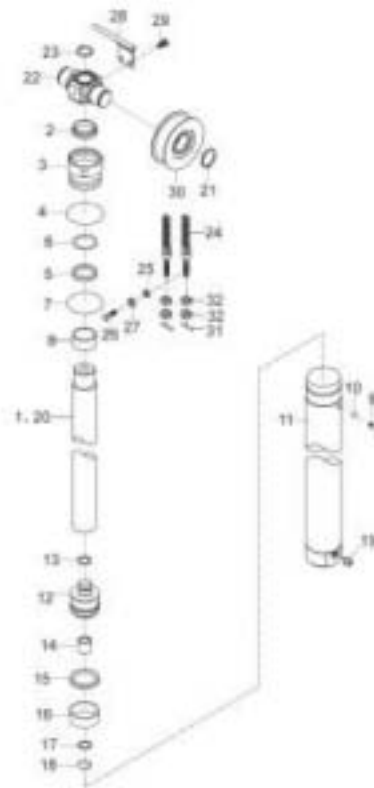
HRDK2H8401-1 04 Front lift cylinder mounting

HRDK2H8401-1 04 前起升油缸安装图

序号 No.	零部件代号 Part No.	版本 Edition	名称 Part name		数量 Q'ty	备注 Remark	
1	HRDK2P8421	01	Front lift cylinder	前起升油缸	1	See table,include 2-20	见附表,包含 2-20
2	LBH-50	00	Dust ring DSI50x58x5/6.5	防尘圈 DSI50x58x5/6.5	1		
3	GCQ075HST3-02	00	Guide sleeve	导向套	1		
4	Z6003-08003	00	O-ring 80*3. 1	O 形密封圈 80*3. 1	1	GB1235-76	GB1235-76
5	24329-45591	00	Seal ring 50x60x6	轴用密封圈 50x60x6	1		
6	22658-52301	00	Catch	挡片 60x50x3	1		
7	Z6053-06903	00	O-ring 69*3.55	O 形密封圈 69*3.55	1		
8	Z2114-05040-Y	00	Bushing 5040	钢背轴承 5040	1		
9	B8032-05005	00	Screw	螺钉 M5x5	1	GB/T70-198 5	GB/T70-198 5
10	Q70B0-82141	01	Washer	垫片	1		
11	DK2P8421.1-00	00	Cylinder body	缸体	1		
12	D24P8-42001A	00	Piston assembly	活塞总成	1		
13	GCQ055DL4-04	00	Snap ring	钢丝挡圈	1		
14	D0W00.2-00	00	Valve assembly	阀总成	1		
15	PT03A0750-T64N	00	T-ring	T 型组合密封圈 75x61x6.3	1		
16	GCQ075JMD-05	00	Wearing 75x69x20	支承环 75x69x20	1		
17	GCQ075BX-05	00	Catch	挡片	1		
18	B6052-00022	00	Snap ring 22	挡圈 22	1		
19	QDFB2-90	00	Valve M27	安全阀 M27	1		
20	DK2P8421-01	00	Piston rod	活塞杆	1		
21	B6150-00040	00	Snap ring	挡圈 40	2	GB894. 1-86	GB894.1-86
22	DK3P8-42191	01	Cylinder head sprocket seat	缸头链轮座	1		
23	B6150-00032	00	Snap ring 32	挡圈 32	1	GB894. 1-86	GB894.1-86
24	HRLH1244011-N	05	Chain assembly	链条总成	2	See table,include 31-32	见附表,包含 31-32
25	B5050-00014	00	Washer	垫圈 14	2	GB97.1-85	GB97. 1-85
26	B0530-14050	00	Bolt M14x1.5x50	螺栓 M14x1.5x50	2	GB5786-86	GB5786-86
27	B5310-00014	00	Washer	垫圈 14	2	GB93-87	GB93-87
28	DK3P8-41031	00	Stopper,chain	护链板	1	Without hoses & pulley block	不装胶管滑 轮组
29	B0330-08020-X	00	Combined bolt	组合螺栓 M8x20	2	GB5783,GB 93-87	GB5783,GB 93-87
30	DK3P8-42201	01	Sheave	链轮	2		

HRDK2H8401-1 04 Front lift cylinder mounting

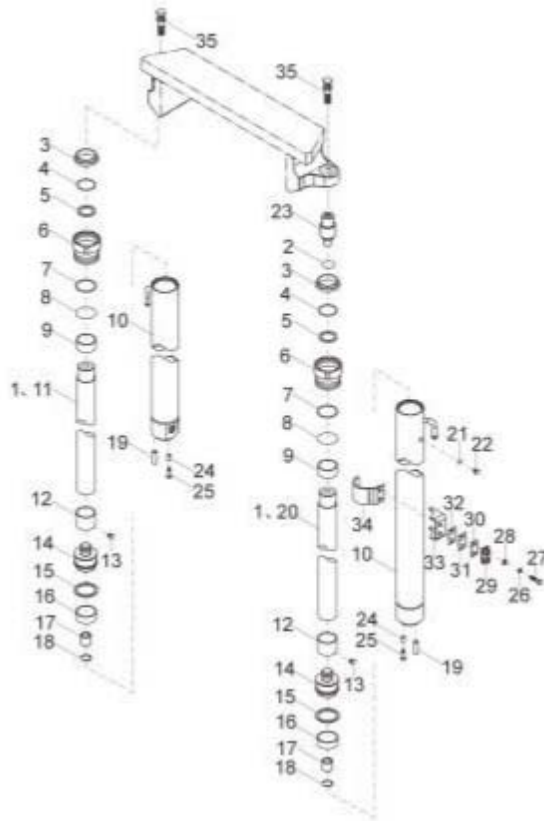
HRDK2H8401-1 04 前起升油缸安装图



前起升油缸安装选用件 FRONT LIFT CYLINDER MOUNTING OPTION TABLE			
起升高度 LIFTING HEIGHT	前起升油缸 FRONT LIFT CYLINDER	链条长度 CHAIN AGE Y	备注 REMARK
2000	DK219-40411	HLH1244011-61	
225	DK219-40421	HLH1244011-67	
250	DK219-40431	HLH1244011-71	
270	DK219-40441	HLH1244011-77	
300	DK219-40471	HLH1244011-78	标准 516
330	DK219-40481	HLH1244011-88	
350	DK219-40511	HLH1244011-93	
370	DK219-40521	HLH1244011-98	
400	DK219-40551	HLH1244011-109	
420	DK219-40571	HLH1244011-110	
450	DK219-40581	HLH1244011-123	
475	DK219-40591	HLH1244011-129	
500	DK219-40611	HLH1244011-135	
550	DK219-40621	HLH1244011-151	
600	DK219-40641	HLH1244011-155	

HRDK2H8401-2 04 Rear lift cylinder mounting

HRDK2H8401-2 04 后起升油缸安装图



后起升油缸安装选用件 REAR LIFT CYLINDER MOUNTING OPTION TABLE				
起升高度 LIFTING HEIGHT	后起升油缸左 REAR LIFT CYLINDER L.H.	后起升油缸右 REAR LIFT CYLINDER R.H.	调整套长度 SLEEVE LENGTH	备注 REMARK
2000	DK2H-4021L	DK2H-4021R	50	
775	DK2H-4022L	DK2H-4022R	50	
250	DK2H-4023L	DK2H-4023R	50	
270	DK2H-4024L	DK2H-4024R	50	
300	DK2H-4020L	DK2H-4020R	50	标准 40d
330	DK2H-4025L	DK2H-4025R	50	
350	DK2H-4026L	DK2H-4026R	50	
370	DK2H-4027L	DK2H-4027R	50	
400	DK2H-4028L	DK2H-4028R	150	
425	DK2H-4029L	DK2H-4029R	150	
450	DK2H-4030L	DK2H-4030R	150	
475	DK2H-4031L	DK2H-4031R	150	
500	DK2H-4032L	DK2H-4032R	150	
550	DK2H-4033L	DK2H-4033R	250	
600	DK2H-4034L	DK2H-4034R	250	

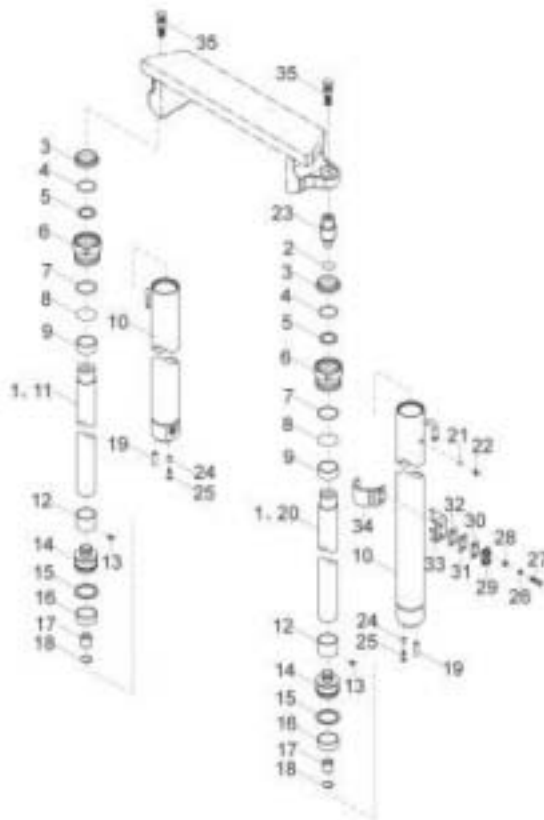
HRDK2H8401-2 04 Rear lift cylinder mounting

HRDK2H8401-2 04 后起升油缸安装图

序号 No.	零部件代号 Part No.	版本 Edition	名称 Part name		数量 Q'ty	备注 Remark	
1	HRDK2H8411	01	Rear lift cylinder	后起升油缸	2	See table, include 2-23	见附表, 包含 2-23
2	Z6053-02502	00	O-ring 25x2.65	O 形密封圈 25x2.65	1	GB3452. 1-8 2	GB3452. 1-8 2
3	27410-53111	00	Dust ring d35	防尘圈 d35	2		
4	23650-52861	00	Catch	挡片 $\phi 45 \times \phi 35 \times 3$	2		
5	23650-52851	00	U-ring	U 型圈	2		
6	DK2H8411-02	00	Guide sleeve	导向套	2		
7	GCX050J2-06	00	Catch	挡圈 45x50x1.5	2		
8	Z6003-05003	00	O-ring	O 形密封圈 d50x3. 1	2	GB3452. 1-8 2	GB3452. 1-8 2
9	Z2113-03530	00	Bushing	钢背轴承	2		
10	DK2H8411. 1-00	00	Cylinder body	缸体	2		
11	DK2H8411-03R	00	Piston rod R.H.	右柱塞杆	1		
12	DK2H8411-04	00	Spacer	调整套	2	See table	见附表
13	B1832-04006	00	Screw	内六角锥端紧定螺钉 M4x6	4	GB/T78-200 0	GB/T78-200 0
14	DH2K8-42041	00	Piston	活塞	2		
15	PT0200450-T46	00	Ring	T 型特康格来圈 45x34x4.2	2		
16	GW0261P0	00	Wearing	支撑环 45x40x15	2		
17	DH2K8-42051	00	Sleeve	套	2		
18	D20B8-42381	00	Snap ring	钢丝挡圈	2		
19	B3130-10026	00	Pin	销 B10x26	2		
20	DK2H8411-03L	00	Piston rod L.H.	左柱塞杆	1		
21	Q7030-82141	00	Washer	垫片	2		
22	B8032-05005	00	Screw	螺钉 M5x5	2	GB/T70- 198 5	GB/T70- 198 5
23	DK2H8411-01	00	Joint	连接杆	1		
24	D20B8-42031	01	Spacer	隔套	2		
25	B0530-12025	00	Bolt M12x1.25x25	螺栓 M12x1.25x25	2	GB5786-86	GB5786-86
26	B5050-00010	00	Washer	垫圈 10	4	GB93-87	GB93-87
27	B0430-10045	00	Bolt	螺栓 M10x1.25x45	4	GB5785-86	GB5785-86
28	B5310-00010	00	Washer	垫圈 10	4	GB97.1-85	GB97. 1-85
29	DE778-42031	00	Cushion	减震块	2		
30	DE778-42071	00	Plate	垫板	2	GB6171-86	GB6171-86
31	DE778-42051	00	Shim	调整垫片	4		

HRDK2H8401-2 04 Rear lift cylinder mounting

HRDK2H8401-2 04 后起升油缸安装图

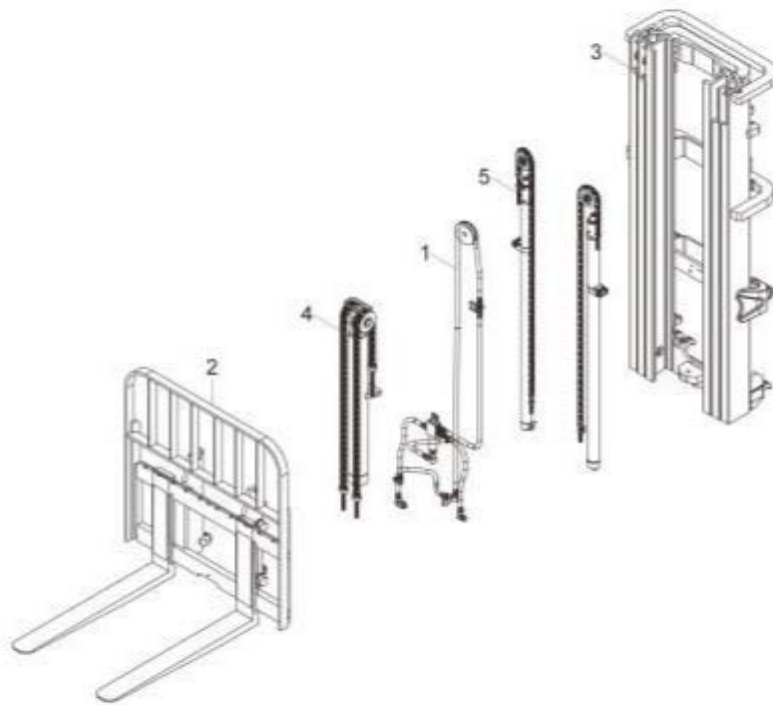


后起升油缸安装选项件
REAR LIFT CYLINDER MOUNTING OPTION TABLE

起升高度 LIFTING HEIGHT	后起升油缸左 REAR LIFT CYLINDER L.H	后起升油缸右 REAR LIFT CYLINDER R.H	液管长度 SLEEVE LENGTH J	备注 REMARK
2000	DK2H-4021L	DK2H-4021R	50	
220	DK2H-4022L	DK2H-4022R	50	
240	DK2H-4023L	DK2H-4023R	50	
270	DK2H-4024L	DK2H-4024R	50	
300	DK2H-4025L	DK2H-4025R	50	标准 44
330	DK2H-4026L	DK2H-4026R	50	
360	DK2H-4026L	DK2H-4026R	50	
370	DK2H-4027L	DK2H-4027R	50	
400	DK2H-4028L	DK2H-4028R	100	
425	DK2H-4029L	DK2H-4029R	100	
450	DK2H-4030L	DK2H-4030R	100	
475	DK2H-4031L	DK2H-4031R	100	
500	DK2H-4032L	DK2H-4032R	100	
550	DK2H-4033L	DK2H-4033R	200	
600	DK2H-4034L	DK2H-4034R	250	

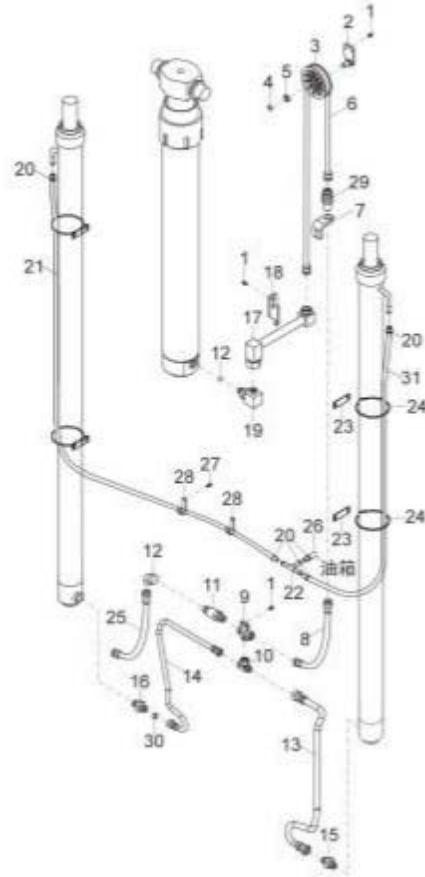
HRDK2P8001 03 2-2.5T Lifting system

HRDK2P8001 03 2-2.5T 起重系统(ZSM)



HRDK3P8601 08 Mast hydraulic system

HRDK3P8601 08 门架管路系统(24° 锥)



门架管路系统选项表(2-2.5t)
MAST HYDRAULIC SYSTEM OPTION TABLE (2-2.5t)

提升高度 LIFTING HEIGHT	提升油缸行程 (150° 角) 1500 mm	提升油缸行程 (135° 角) 1350 mm	备注 REMARK
2000	1500	1350	
400	2250	1500	
600	2250	1500	标准配置
800	2400	1650	
1000	2400	1650	
1200	2400	1650	
1400	2400	1650	
1600	2400	1650	
1800	2400	1650	
2000	2400	1650	
2200	2400	1650	
2400	2400	1650	
2600	2400	1650	
2800	2400	1650	
3000	2400	1650	
3200	2400	1650	
3400	2400	1650	
3600	2400	1650	
3800	2400	1650	
4000	2400	1650	

门架管路系统选项表(3-3.5t)
MAST HYDRAULIC SYSTEM OPTION TABLE (3-3.5t)

提升高度 LIFTING HEIGHT	提升油缸行程 (150° 角) 1500 mm	提升油缸行程 (135° 角) 1350 mm	备注 REMARK
2000	2000	1650	
400	2300	1700	
600	2400	1800	标准配置
800	2500	1850	
1000	2600	1900	
1200	2700	1950	
1400	2750	2000	
1600	2800	2050	
1800	2850	2100	
2000	2900	2150	
2200	2950	2200	
2400	3000	2250	
2600	3050	2300	
2800	3100	2350	
3000	3150	2400	
3200	3200	2450	
3400	3250	2500	
3600	3300	2550	
3800	3350	2600	
4000	3400	2650	

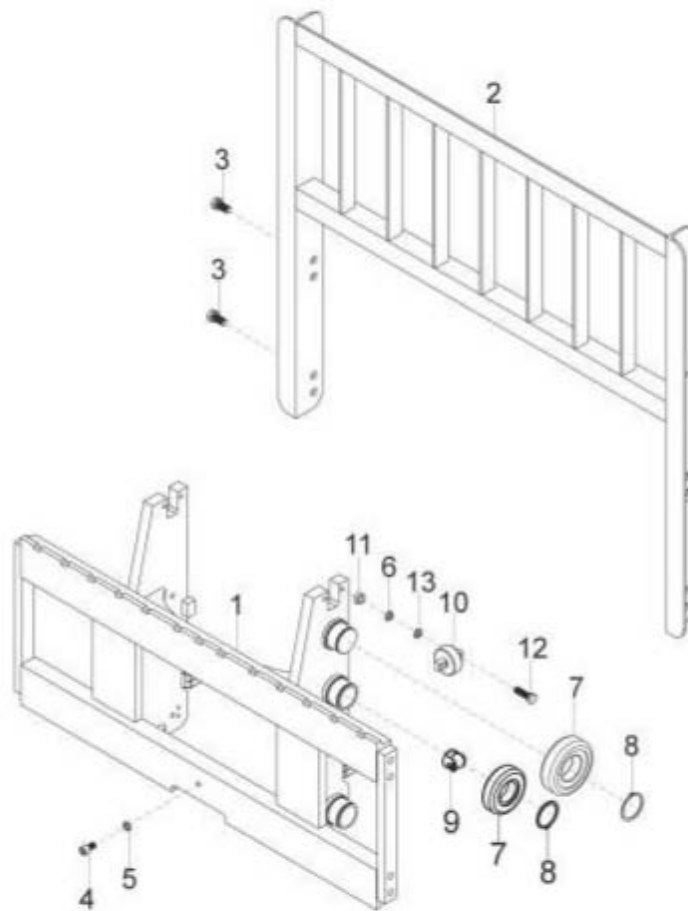
HRDK3P8601 08 Mast hydraulic system

HRDK3P8601 08 门架管路系统(24° 锥)

序号 No.	零部件代号 Part No.	版本 Edition	名称 Part name		数量 Q'ty	备注 Remark	
1	B0330-08020-X	00	Combined bolt	组合螺栓 M8x20	9	GB/T9074. 1 5-88	GB/T9074. 1 5-88
2	DK3P8-61011	00	Pulley bracket	主滑轮支架	1		
3	DK3P8-62031	00	The main pulley	主滑轮	1		
4	B6150-00020	00	Snap ring	挡圈 20	1	GB894. 1-86	GB894.1-86
5	DH2V8-62171	00	Washer	垫圈	1		
6	Z9702-1600024	00	Hose H.P.	高压胶管	1	See table	见附表
7	DK3P8-62011	02	Baffle joint support plate -JL	隔板接头支板-JL	1		
8	Z9702-1606024	00	Hose H.P.	高压胶管	1	3.6,4m	3.6,4m
8	Z9702-1607024	00	Hose H.P.	高压胶管	1	≥4.35m	≥4.35m
9	DK3P8-61021	01	Three-way	三通接头总成	1		
10	JT6031-26011LDJ T	00	Three way joint	三通组合接头	1		
11	D9FL8-60481	03	Flow regulator	限速阀	1	2-2.5t	2-2.5t
11	D9FL8-60901E	03	Flow regulator	限速阀	1	3-3.8t	3-3.8t
12	Z6006-02373	00	O-ring	O 型密封圈 23.7x3.5	1	JIS B2401	JIS B2401
13	DK3P8-61041	01	Steel pipe assembly I	钢管总成 I	1		
14	DK3P8-61051	01	Steel pipe assembly II	钢管总成 II	1		
15	D9FL8-62011	01	Check valve	升降缸切断阀	1		
16	D9FL8-62031	01	Straight joint	直通接头	1	Include 30	包含 30
17	DK3P8-61061	01	Steel pipe assembly III	钢管总成 III	1		
18	DK3P8-62091	02	Steel pipe limit plate	钢管限位板	1		
19	DG9N8-32351	01	Straight joint	直通接头	1	Include 12	包含 12
20	Z4710-00014	00	Elastic hoop	钢带型弹性环箍 Φ 14	5		
21	Z7400-12000	00	Hose	塑料管	1	See table	见附表
22	JT6031-08001	00	Oil return joint	升降缸回油接头	1		
23	54235-52701H	00	Band	回油管夹片	4		
24	Z9260-80350	00	8 x350 strapping tape	捆扎带 8x350	5		
25	Z9702-1606524NL	00	Hose H.P.	高压胶管, Φ 161lx650	1		
26	Z7400-12110	00	Plastic hose	塑料回油管 Φ 12x1100	1		
27	B0330-06012-X1	00	Combined bolt M6X12	组合螺栓 M6X12	2	GB/T9074. 1 5-88	GB/T9074. 1 5-88
28	D2MD8-70001	00	Clip	管卡总成	2		
31	Z7400-12000	00	Hose	塑料管	1	See table	见附表

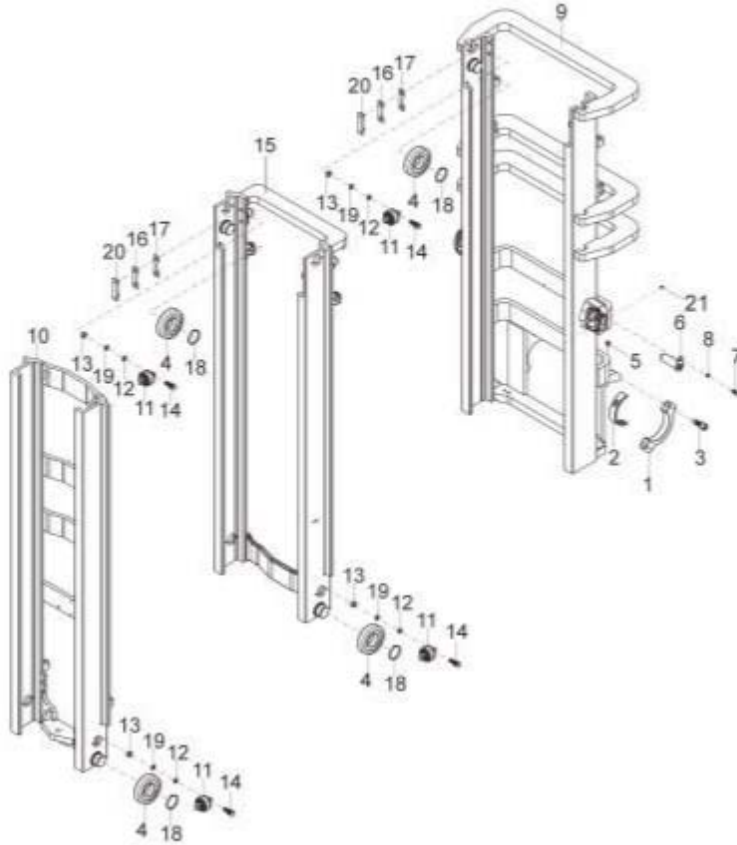
HRDK2P8001-1 03 Lift bracket & backrest

HRDK2P8001-1 03 货叉架及挡货架



HRDK2P8001-2 03 Mast

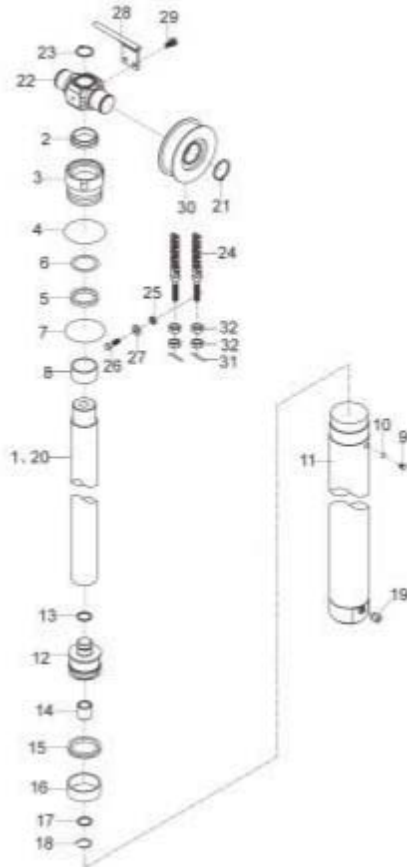
HRDK2P8001-2 03 门架



J 门架 (三级全自由门架) J MAST (FULL FREE 3-STAGE MAST)				
门架选用件 MAST OPTION TABLE				
起升高度 LIFTING HEIGHT	外门架总成 OUTER MAST	中门架总成 MIDDLE MAST	内门架总成 INNER MAST	备注 REMARK
ZMK60	DK2P8-30011-S	DK2P8-30211-S	DK2P8-30411-S	
400	DK2P8-30021-S	DK2P8-30221-S	DK2P8-30421-S	
435	DK2P8-30001-S	DK2P8-30201-S	DK2P8-30401-S	标准 std
450	DK2P8-30031-S	DK2P8-30231-S	DK2P8-30431-S	
470	DK2P8-30041-S	DK2P8-30241-S	DK2P8-30441-S	
480	DK2P8-30051-S	DK2P8-30251-S	DK2P8-30451-S	
500	DK2P8-30061-S	DK2P8-30261-S	DK2P8-30461-S	
540	DK2P8-30071-S	DK2P8-30271-S	DK2P8-30471-S	
600	DK2P8-30081-S	DK2P8-30281-S	DK2P8-30481-S	
650	DK2P8-30091-S	DK2P8-30291-S	DK2P8-30491-S	
700	DK2P8-30101-S	DK2P8-30301-S	DK2P8-30501-S	
750	DK2P8-30111-S	DK2P8-30311-S	DK2P8-30511-S	

HRDK2P8401-1 04 Front lift cylinder mounting

HRDK2P8401-1 04 前起升油缸安装图



前起升油缸安装选用件 FRONT LIFT CYLINDER MOUNTING OPTION TABLE			
起升高度 LIFTING HEIGHT	前起升油缸 FRONT LIFT CYLINDER	链条总成 CHAIN ASS'Y	备注 REMARK
ZSM060	DK2PB-40441	HLH1244011-75	
400	DK2PB-40461	HLH1244011-83	
435	DK2PB-40401	HLH1244011-85	标准 std
450	DK2PB-40481	HLH1244011-87	
470	DK2PB-40491	HLH1244011-91	
480	DK2PB-40501	HLH1244011-93	
500	DK2PB-40521	HLH1244011-97	
540	DK2PB-40541	HLH1244011-103	
600	DK2PB-40561	HLH1244011-113	
650	DK2PB-40581	HLH1244011-125	
700	DK2PB-40601	HLH1244011-133	
750	DK2PB-40621	HLH1244011-143	

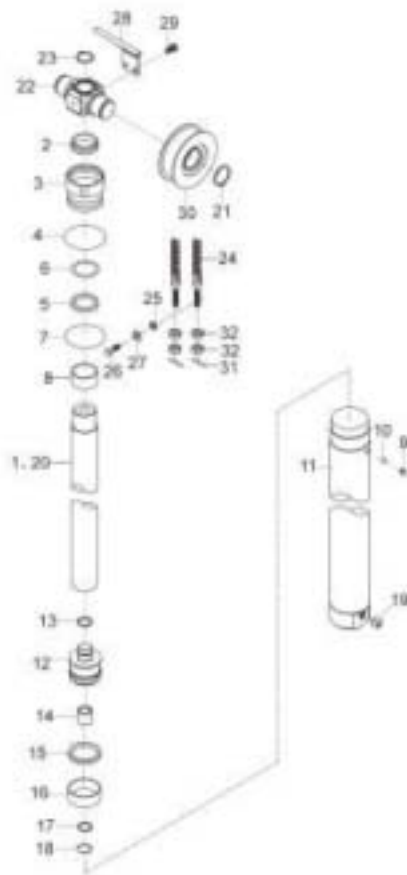
HRDK2P8401-1 04 Front lift cylinder mounting

HRDK2P8401-1 04 前起升油缸安装图

序号 No.	零部件代号 Part No.	版本 Edition	名称 Part name		数量 Q'ty	备注 Remark	
1	HRDK2P8421	01	Front lift cylinder	前起升油缸	1	See table, include 2-20	见附表,包含 2-20
2	LBH-50	00	Dust ring DSI50x58x5/6.5	防尘圈 DSI50x58x5/6.5	1		
3	GCQ075HST3-02	00	Guide sleeve	导向套	1		
4	Z6003-08003	00	O-ring 80*3. 1	O 形密封圈 80*3. 1	1	GB1235-76	GB1235-76
5	24329-45591	00	Seal ring 50x60x6	轴用密封圈 50x60x6	1		
6	22658-52301	00	Catch	挡片 60x50x3	1		
7	Z6053-06903	00	O-ring 69*3.55	O 形密封圈 69*3.55	1		
8	Z2114-05040-Y	00	Bushing 5040	钢背轴承 5040	1		
9	B8032-05005	00	Screw	螺钉 M5x5	1	GB/T70-198 5	GB/T70-198 5
10	Q70B0-82141	01	Washer	垫片	1		
11	DK2P8421.1-00	00	Cylinder body	缸体	1		
12	D24P8-42001A	00	Piston assembly	活塞总成	1		
13	GCQ055DL4-04	00	Snap ring	钢丝挡圈	1		
14	D0W00.2-00	00	Valve assembly	阀总成	1		
15	PT03A0750-T64N	00	T-ring	T 型组合密封圈 75x61x6.3	1		
16	GCQ075JMD-05	00	Wearing 75x69x20	支承环 75x69x20	1		
17	GCQ075BX-05	00	Catch	挡片	1		
18	B6052-00022	00	Snap ring 22	挡圈 22	1		
19	QDFB2-90	00	Valve M27	安全阀 M27	1		
20	DK2P8421-01	00	Piston rod	活塞杆	1		
21	B6150-00040	00	Snap ring	挡圈 40	2	GB894. 1-86	GB894.1-86
22	DK3P8-42191	01	Cylinder head sprocket seat	缸头链轮座	1		
23	B6150-00032	00	Snap ring 32	挡圈 32	1	GB894. 1-86	GB894.1-86
24	HRLH1234021-N	02	Chain assembly	链条总成	2	See table, include 31-32	见附表,包含 31-32
25	B5050-00014	00	Washer	垫圈 14	2	GB93-87	GB93-87
26	B0530-14050	00	Bolt M14x1.5x50	螺栓 M14x1.5x50	2	GB5786-86	GB5786-86
27	B5310-00014	00	Washer	垫圈 14	2	GB97.1-85	GB97. 1-85
28	DK3P8-41031	00	Stopper, chain	护链板	1	Without hoses & pulley block	不装胶管滑轮组
29	B0330-08020-X	00	Combined bolt	组合螺栓 M8x20	2	GB5783, GB 93-87	GB5783, GB 93-87
30	DK3H8-42011	01	Sheave	链轮	2		

HRDK2P8401-1 04 Front lift cylinder mounting

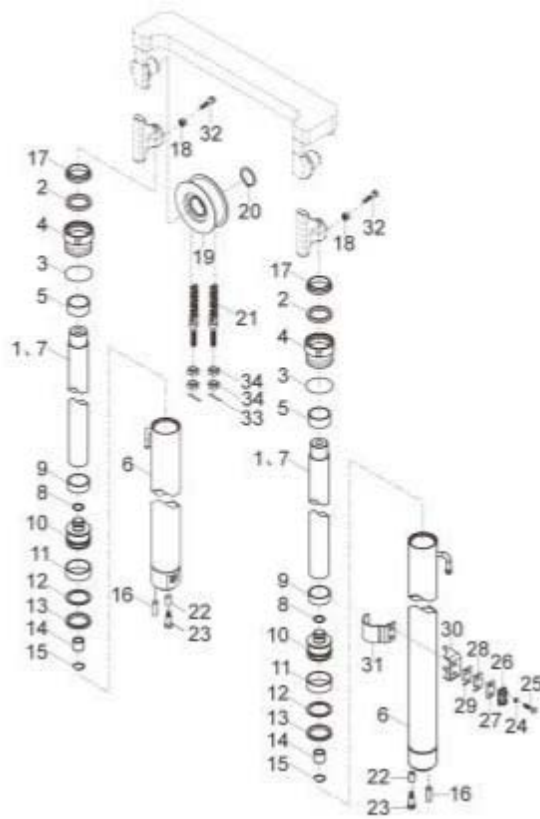
HRDK2P8401-1 04 前起升油缸安装图



前起升油缸安装选用件 FRONT LIFT CYLINDER MOUNTING OPTION TABLE			
起升高度 LIFTING HEIGHT	前起升油缸 FRONT LIFT CYLINDER	链条总成 CHAIN ASSEMBLY	备注 REMARK
2300±0	SK2P8-40441	HLH1244011-75	
430	SK2P8-40461	HLH1244011-83	
435	SK2P8-40481	HLH1244011-85	标准 x10
450	SK2P8-40481	HLH1244011-87	
470	SK2P8-40491	HLH1244011-91	
480	SK2P8-40501	HLH1244011-93	
500	SK2P8-40521	HLH1244011-97	
540	SK2P8-40541	HLH1244011-103	
630	SK2P8-40561	HLH1244011-113	
660	SK2P8-40581	HLH1244011-125	
700	SK2P8-40601	HLH1244011-133	
750	SK2P8-40621	HLH1244011-143	

HRDK2P8401-2 04 Lift cylinder mounting

HRDK2P8401-2 04 起升油缸安装图



起升油缸安装选用件 LIFT CYLINDER MOUNTING OPTION TABLE				
起升高度 LIFTING HEIGHT	起升油缸(左) LIFT CYLINDER (LEFT)	起升油缸(右) LIFT CYLINDER (RIGHT)	链条总成 CHAIN ASS'Y	调整套 SPACER
360	DK2P8-40211L	DK2P8-40211R	HRLH1244011-79	
400	DK2P8-40221L	DK2P8-40221R	HRLH1244011-87	25
435 标准高度	DK2P8-40201L	DK2P8-40201R	HRLH1244011-91	
450	DK2P8-40231L	DK2P8-40231R	HRLH1244011-95	
470	DK2P8-40241L	DK2P8-40241R	HRLH1244011-99	
480	DK2P8-40251L	DK2P8-40251R	HRLH1244011-101	
500	DK2P8-40261L	DK2P8-40261R	HRLH1244011-105	50
540	DK2P8-40271L	DK2P8-40271R	HRLH1244011-111	
600	DK2P8-40281L	DK2P8-40281R	HRLH1244011-121	
650	DK2P8-40291L	DK2P8-40291R	HRLH1244011-131	50
700	DK2P8-40301L	DK2P8-40301R	HRLH1244011-141	50
750	DK2P8-40311L	DK2P8-40311R	HRLH1244011-149	75

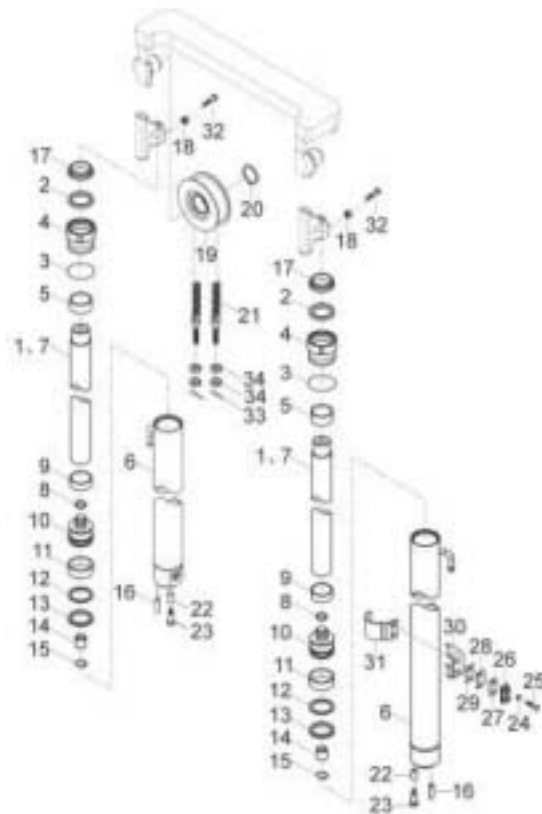
HRDK2P8401-2 04 Lift cylinder mounting

HRDK2P8401-2 04 起升油缸安装图

序号 No.	零部件代号 Part No.	版本 Edition	名称 Part name		数量 Q'ty	备注 Remark	
1	HRDK2P8411	01	Rear lift cylinder	后起升油缸	2	See table,include 2-17	见附表,包含 2-17
2	23650-83521	00	U-shaped seal	U 型密封圈	2		
3	C00637	00	O-ring d49.7x2.4	O 型密封圈 d49.7x2.4	2		
4	GQC050XS-01	00	Guide sleeve	导向套	2		
5	Z2113-04030	00	Bushing 4030	钢背轴承 4030	2		
6	DK2P8411.1-00	00	Cylinder body	缸体	2		
7	DK2P8411-01	00	Piston rod	活塞杆	2		
8	D20B8-42381	00	Snap ring	钢丝挡圈	2		
9	DK2P8411-02	00	Sleeve,adjusted	调整轴套	2	See table	见附表
10	GQC050QR-03	00	Piston	活塞	2		
11	27970-53141	00	Wearing	孔用支撑环 50x45x20	2		
12	23650-83531	00	Catch 50x40x3	挡片 50x40x3	2		
13	23918-52161	00	U-ring	U 型圈	2		
14	GQC055DL4-07	00	Sleeve	套	2		
15	GQC055DL4-08	00	Snap ring	钢丝挡圈	2		
16	B3130-10026	00	Pin	销 B10x26	2	GB119-86	GB119-86
17	23650-83581	00	Dust ring	防尘圈	2		
18	B4123-00010	00	Nut	螺母 M10	2	GB6170-86	GB6170-86
19	DK3P8-42201	01	Sheave	链轮	2		
20	B6150-00040	00	Snap ring	挡圈 40	2	GB894. 1-86	GB894.1-86
21	HRLH1623011-N	03	Chain	链条	2	See table,include 33-34	见附表,包含 33-34
22	D20B8-42031	01	Spacer	隔套	2		
23	B0530-12025	00	Bolt M12x1.25x25	螺栓 M12x1.25x25	2	GB5786-86	GB5786-86
24	B5050-00010	00	Washer	垫圈 10	4	GB93-87	GB93-87
25	B0230-10045	00	Bolt	螺栓 M10x45	4	GB5782-86	GB5782-86
26	DE778-42031	00	Cushion	减震块	2		
27	DE778-42071	00	Plate	垫板	2		
28	DE778-42051	00	Shim	调整垫片	2		
29	DE778-42061	00	Shim	调整垫片	2		
30	DE778-42021	00	Lock plate	卡板	2		

HRDK2P8401-2 04 Lift cylinder mounting

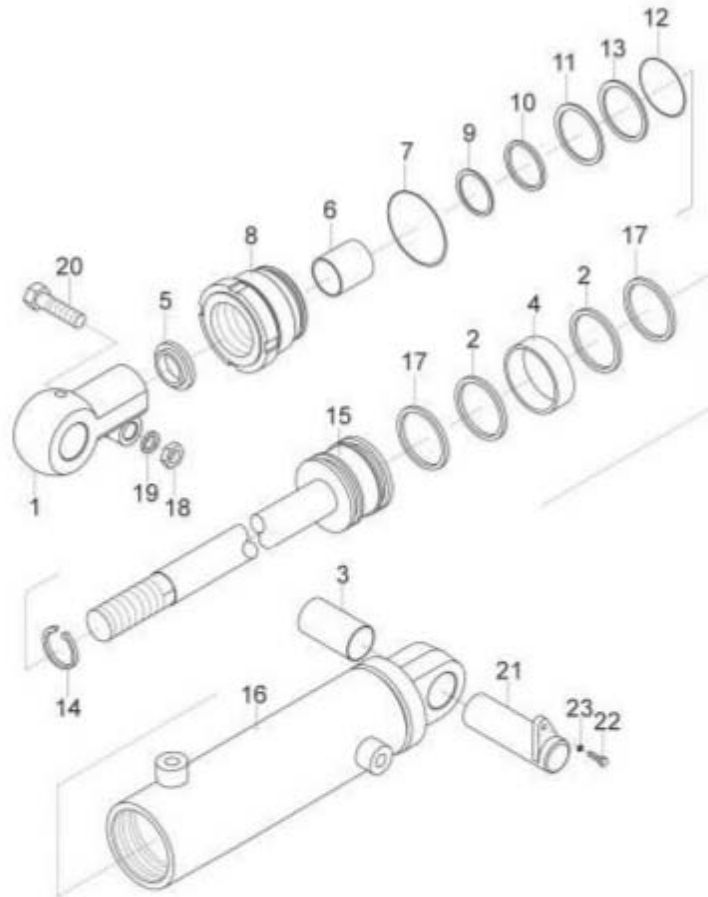
HRDK2P8401-2 04 起升油缸安装图



起升油缸安装选用件 LIFT CYLINDER MOUNTING OPTION TABLE				
起升高度 LIFTING HEIGHT	起升油缸 (左) LIFT CYLINDER (LEFT)	起升油缸 (右) LIFT CYLINDER (RIGHT)	特殊总成 DRAIN ASS-Y	调整套 SPACER
360	DK2P-4021L	DK2P-4021R	HLH1244011-79	
400	DK2P-4022L	DK2P-4022R	HLH1244011-87	35
435 起升高度	DK2P-4020L	DK2P-4020R	HLH1244011-91	
450	DK2P-4023L	DK2P-4023R	HLH1244011-95	
470	DK2P-4024L	DK2P-4024R	HLH1244011-99	
480	DK2P-4025L	DK2P-4025R	HLH1244011-101	
500	DK2P-4026L	DK2P-4026R	HLH1244011-106	50
540	DK2P-4027L	DK2P-4027R	HLH1244011-111	
600	DK2P-4028L	DK2P-4028R	HLH1244011-121	
600	DK2P-4029L	DK2P-4029R	HLH1244011-121	50
700	DK2P-4030L	DK2P-4030R	HLH1244011-141	50
750	DK2P-4031L	DK2P-4031R	HLH1244011-149	75

HRD9FL8501 04 Tilt cylinder

HRD9FL8501 04 倾斜油缸



倾斜油缸选用件 TILT CYLINDER OPTION TABLE		
倾/后倾角 TILKT ANGLE	倾斜油缸左 TILT CYLINDER L.H.	倾斜油缸右 TILT CYLINDER R.H.
6° -12°	D9FLB-50001L	D9FLB-50001R
6° -10°	D9FLB-50041L	D9FLB-50041R
6° -6°	D9FLB-50011L	D9FLB-50011R
3° -6°	D9FLB-50021L	D9FLB-50021R
3° -3°	D9FLB-50031L	D9FLB-50031R

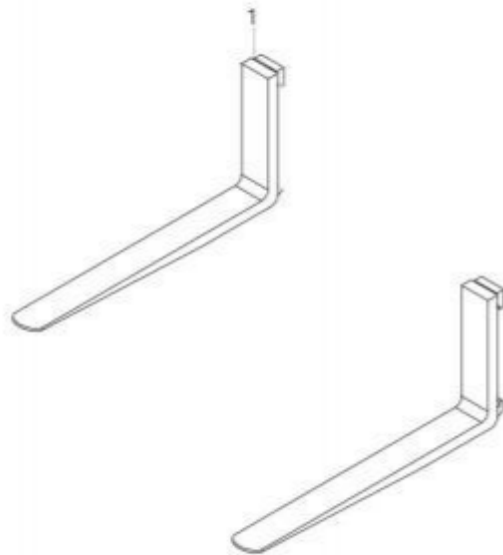
HRD9FL8501 04 Tilt cylinder

HRD9FL8501 04 倾斜油缸

序号 No.	零部件代号 Part No.	版本 Edition	名称 Part name		数量 Q'ty	备注 Remark	
1	D9FL8501-01	00	Ear ring	耳环	1		
2	D01D8-42051	00	Catch	挡片 70x60x3	2		
3	Z2123-03038	00	Bushing 3038	钢背轴承 3038	1	GB80-85	GB80-85
4	23678-52051	00	Wearing 70x65x2.5	支承环 70x65x2.5	1		
5	23468-52081	00	Dust ring	防尘圈 $\phi 52 \times \phi 32 \times 11 \times 8$	1		
6	Z2113-03225	00	Bushing	钢背轴承	1		
7	AG0075A	00	O-ring	O 型密封圈 75x3. 1	1	GB1235-76	GB1235-76
8	D7G58521-02	00	Guide sleeve	导向套	1		
9	23678-54001	00	Catch 48x32x3	挡片 48x32x3	1		
10	22228-50151A	00	Seal ring	轴用密封圈 32x48x10	1		
11	D20B8-52055	00	Catch 70x65.2x1.25	挡片 70x65.2x1.25	1		
12	OR64.4x3. 1	00	O-ring 64. 1x3. 1	O 型密封圈 64. 1x3. 1	1	GB1235-76	GB1235-76
13	23678-54021S	00	Snap ring 52x43x2	挡圈 52x43x2	1		
14	B6052-00052	00	Snap ring	挡圈 52	1	GB893. 1-86	GB893.1-86
15	D9FL8501.2-00	00	Piston body assembly	活塞体	1		
16	D9FL8501. 1-00	00	Cylinder body	缸体	1		
17	23678-55001	00	U-ring	U 型圈	2		
18	B4123-00014	00	Nut M14	螺母 M14	1	GB6170-86	GB6170-86
19	B5050-00014	00	Washer	垫圈 14	1	GB93-87	GB93-87
20	B0223-14055	00	Bolt	六角头螺栓 M14x55/35	1	GB5782-86	GB5782-86
21	HRH22A8309	08	Pin	倾斜油缸销轴	2		
22	B0530-10020	00	Bolt	螺栓 M10x1.25x20	2	GB5786-86	GB5786-86
23	B5050-00010	00	Washer	垫圈 10	2	GB93-87	GB93-87

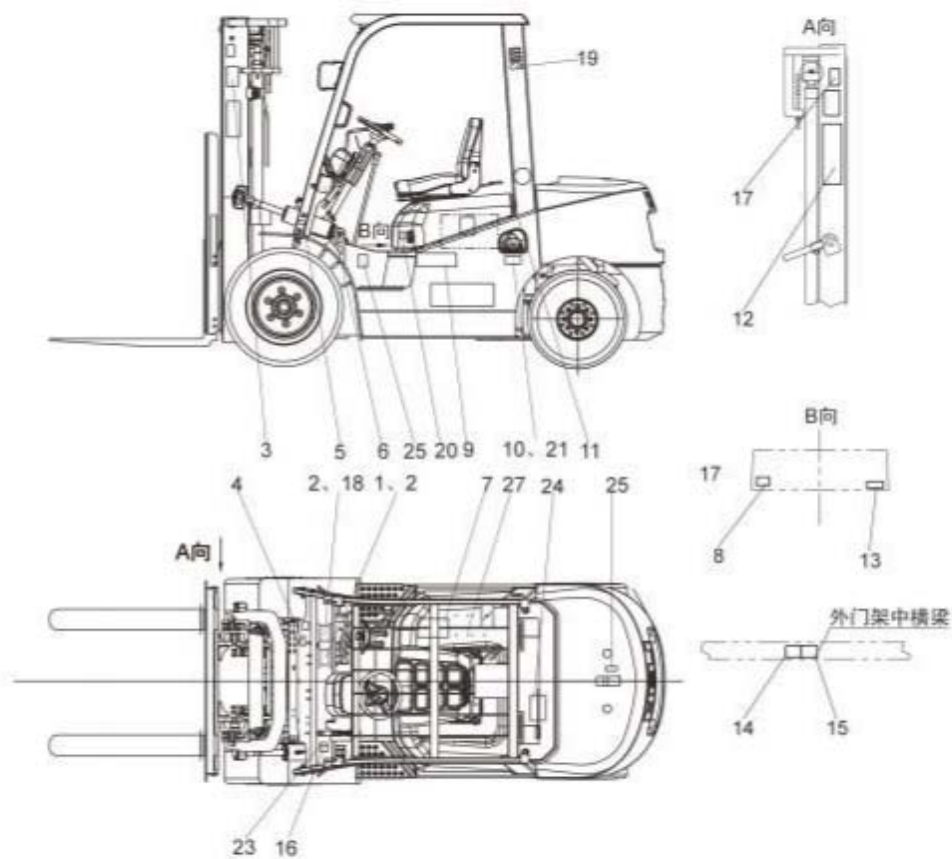
HRD20B8101 05 Fork

HRD20B8101 05 货叉总成



K2TJ9-10001 06 Decal

K2TJ9-10001 06 标牌油漆布置图



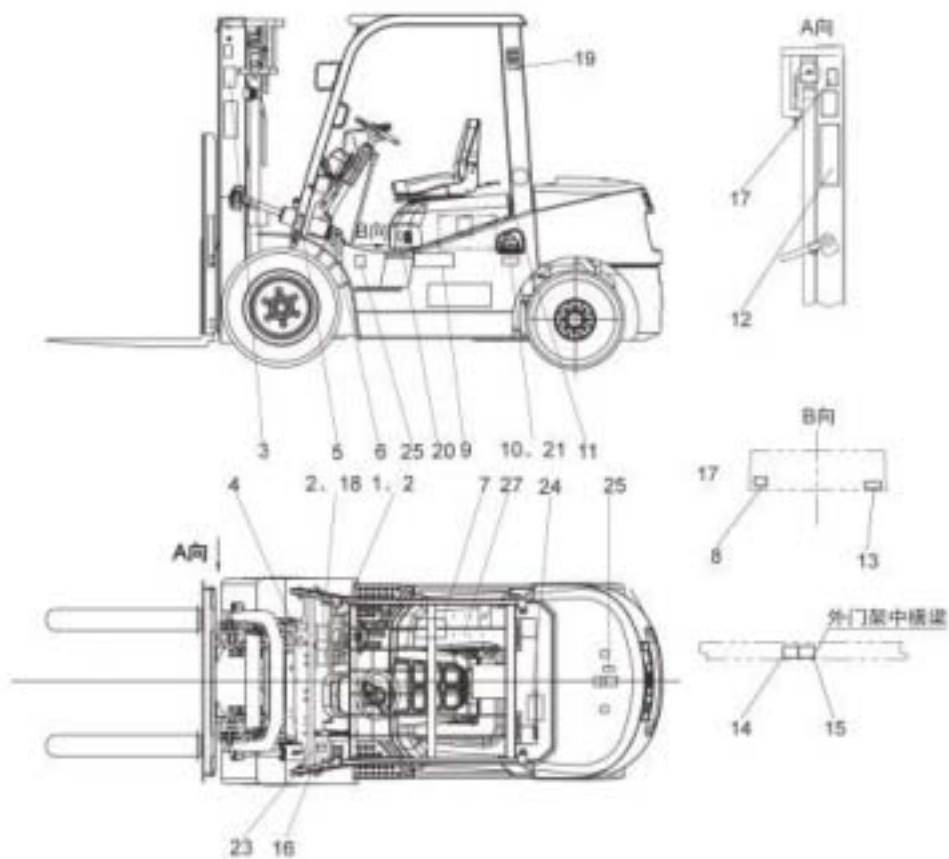
K2TJ9-10001 06 Decal

K2TJ9-10001 06 标牌油漆布置图

序号 No.	零部件代号 Part No.	版本 Edition	名称 Part name		数量 Q'ty	备注 Remark	
1	6TY10-00-245	00	Name plate	门架实际承载能力铭牌 (CHL)	1		
1	6TY10-00-197	02	Name plate	门架实际承载能力铭牌	1	Neutral Packing	中性包装
2	B2391-04008	00	Rivet	开口型铆钉 4x8	8		
3	6TY40-01-30	00	Plate,safety	安全标志标牌(全英文)	2		
4	6TY40-02-55	00	Plate,lubrication chart	润滑系统图标牌(全英 文)	1		
5	6TY40-16-115	00	Plate,air pressure	轮胎气压(2-2.5t 全英 文)	1	2-2.5t	2-2.5t
5	6TY40-16-116	00	Plate,air pressure	轮胎气压(3-3.5t 全英 文)	1	3-3.5t	3-3.5t
6	6TY40-08-21	00	Plate,tyre safety	轮胎安全标牌(全英文)	1		
7	6TY40-03-38	00	Decal	使用须知标牌(全英文)	1		
8	6TY40-05-21	00	Plate,adding hydraulic oil	加液压油标牌(全英文)	1		
9	6TY40-00-1070	00	K2 Series 2-tonnage sign (left)	K2 系列 2 吨位标牌(左)	1	2t	2t
9	6TY40-00-1071	00	K2 Series 2-tonnage sign (right)	K2 系列 2 吨位标牌(右)	1	2t	2t
9	6TY40-00-1072	00	K2 Series 2.5T Plate (left)	K2 系列 2.5 吨位标牌 (左)	1	2.5t	2.5t
9	6TY40-00-1073	00	K2 Series 2.5T Plate (right)	K2 系列 2.5 吨位标牌 (右)	1	2.5t	2.5t
9	6TY40-00-1074	00	K2 Series 3 Tonnage Plate (Left)	K2 系列 3 吨位标牌(左)	1	3t	3t
9	6TY40-00-1075	00	K2 Series 3 Tonnage Plate (Right)	K2 系列 3 吨位标牌(右)	1	3t	3t
9	6TY40-00-1076	00	K2 series 3.5-ton sign (left)	K2 系列 3.5 吨位标牌 (左)	1	3.5t	3.5t
9	6TY40-00-1077	00	K2 Series 3.5T Plate (right)	K2 系列 3.5 吨位标牌 (右)	1	3.5t	3.5t
10	6TY40-04-76	00	Decal	欧五燃油油品要求标牌 (柴油)	1	EU V diesel engine	欧五柴油机
11	6TY40-07-15	00	Plate,fan safety	风扇安全标牌(全英文)	1		
12	6TY40-00-738	00	CHL Decal	CHL 标牌(门架用)	2		
13	6TY40-06-110	00	Capacity plate	容量标牌(2-3.5t 全英 文)	1		
14	6TY40-14-16	00	Plate,padlok mast space	禁止进入门架后空间(全 英文)	1		
15	6TY40-15-18	00	Plate,notice thumb hand	注意伤手(全英文)	1		
16	6TY40-13-25	00	Plate,parking brake adjust	停车制动调整(全英文)	1		
17	6TY40-10-20	00	Plate,sling	起吊标牌 全英文	2		
18	6TY10-00-549	00	Name plate	叉式装卸车铭牌(CHL 全英文)	1		
18	6TY10-00-119	01	Neutral packaging for vehicle nameplate	整车铭牌中性包装(英 文)	1	Neutral Packing	中性包装
18	6TY10-00-547	00	Neutral packaging	整车铭牌中性包装(制 造商、制造日期、配置 号)	1	Neutral packaging	中性包装+制 造商、制造日 期、配置号
19	6TY40-34-14	00	Forbiding filling water model	严禁冲水标牌(全英文)	1		

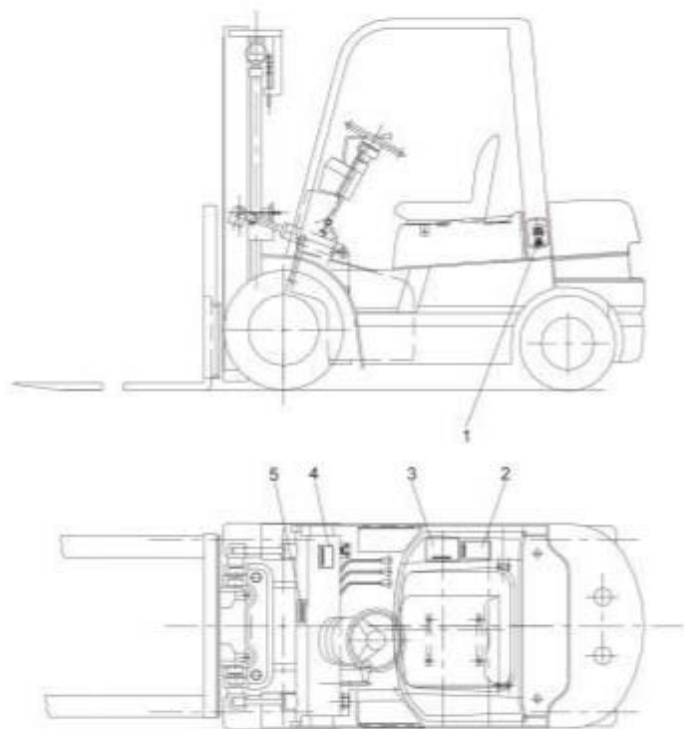
K2TJ9-10001 06 Decal

K2TJ9-10001 06 标牌油漆布置图



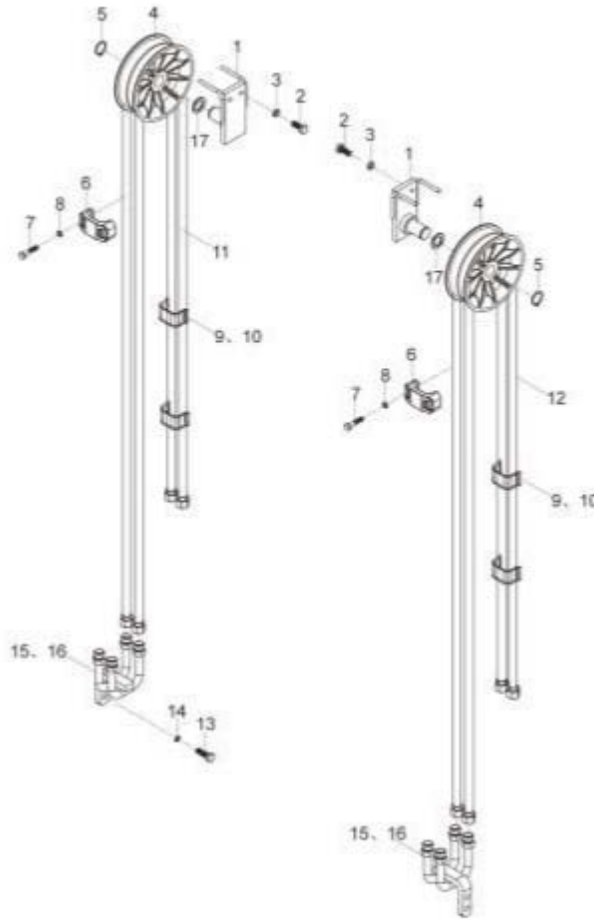
A2YQ0-01001 02 Plate

A2YQ0-01001 02 标牌说明图(出口)



HRD9FL8701 05 Hose pulley block (metric)

HRD9FL8701 05 胶管滑轮组(公制)



胶管滑轮组选用件 HOSE & PULLEY BLOCK OPTION TABLE								
起升高度 LIFTING HEIGHT	件11 NO. 11				件12 NO. 12			
	2-2.5t	3t	3.5t	3.8t	2-2.5t	3t	3.5t	3.8t
200	Z9702-1025516	Z9702-1026016	Z9702-1027516	Z9702-1029016	Z9702-1027516	Z9702-1028516	Z9702-1029516	Z9702-1031016
225	Z9702-1028016	Z9702-1029016	Z9702-1030016	Z9702-1031516	Z9702-1030016	Z9702-1031016	Z9702-1032016	Z9702-1033516
250	Z9702-1030516	Z9702-1031516	Z9702-1032516	Z9702-1034016	Z9702-1032516	Z9702-1033516	Z9702-1034516	Z9702-1036016
270	Z9702-1032516	Z9702-1033516	Z9702-1034516	Z9702-1036016	Z9702-1034516	Z9702-1035516	Z9702-1036516	Z9702-1038016
300	Z9702-1035516	Z9702-1036516	Z9702-1037516	Z9702-1039016	Z9702-1037516	Z9702-1038516	Z9702-1039516	Z9702-1041016
330	Z9702-1038516	Z9702-1039516	Z9702-1040516	Z9702-1042016	Z9702-1040516	Z9702-1041516	Z9702-1042516	Z9702-1044016
350	Z9702-1040516	Z9702-1041516	Z9702-1042516	Z9702-1044016	Z9702-1042516	Z9702-1043516	Z9702-1044516	Z9702-1046016
370	Z9702-1042516	Z9702-1043516	Z9702-1044516	Z9702-1046016	Z9702-1044516	Z9702-1045516	Z9702-1046516	Z9702-1048016
400	Z9702-1046016	Z9702-1047016	Z9702-1048016	Z9702-1049516	Z9702-1048016	Z9702-1049016	Z9702-1050016	Z9702-1051516
425	Z9702-1048516	Z9702-1049516	Z9702-1050516	Z9702-1052016	Z9702-1050516	Z9702-1051516	Z9702-1052516	Z9702-1054016
450	Z9702-1051016	Z9702-1052016	Z9702-1053016	Z9702-1054516	Z9702-1053016	Z9702-1054016	Z9702-1055016	Z9702-1056516
475	Z9702-1053516	Z9702-1054516	Z9702-1055516	Z9702-1057016	Z9702-1055516	Z9702-1056516	Z9702-1057516	Z9702-1059016
500	Z9702-1056016	Z9702-1057016	Z9702-1058016	Z9702-1059516	Z9702-1058016	Z9702-1059016	Z9702-1060016	Z9702-1061516
550	Z9702-1063016	Z9702-1063016	Z9702-1064016	Z9702-1065516	Z9702-1064016	Z9702-1065016	Z9702-1066016	Z9702-1067516
600	Z9702-1067016	Z9702-1068016	Z9702-1069016	Z9702-1070516	Z9702-1069016	Z9702-1070016	Z9702-1071016	Z9702-1072516

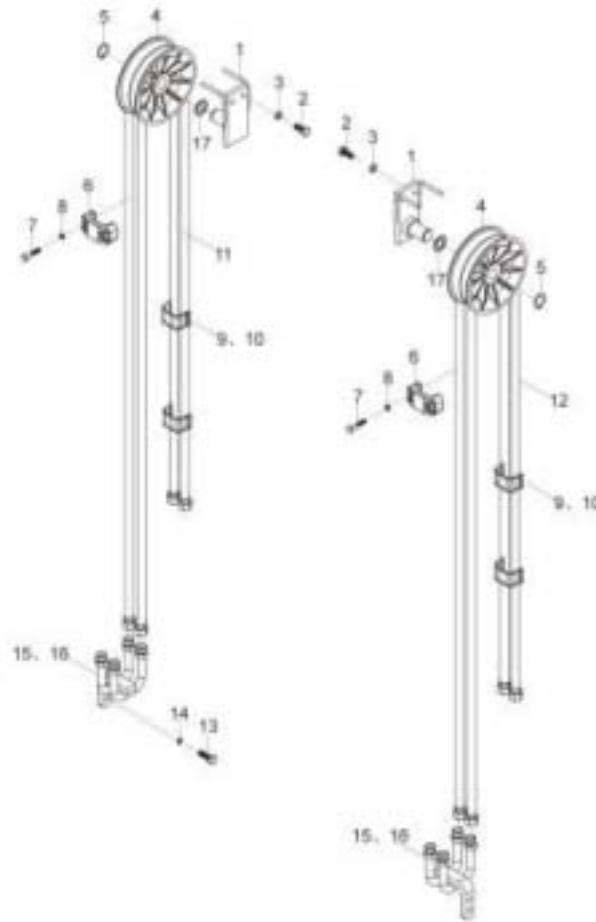
HRD9FL8701 05 Hose pulley block (metric)

HRD9FL8701 05 胶管滑轮组(公制)

序号 No.	零部件代号 Part No.	版本 Edition	名称 Part name		数量 Q'ty	备注 Remark	
1	D9FL8-72021	02	Pulley bracket	滑轮支架	2	Four piece valve	四片阀
1	D9FL8-72021	02	Pulley bracket	滑轮支架	1	Three piece valve	三片阀
2	B0330-08020	00	Bolt	螺栓 M8x20	2	Three piece valve,GB5783-86	三片阀,GB5783-86
2	B0330-08020	00	Bolt	螺栓 M8x20	4	Four piece valve	四片阀
3	B5050-00008	00	Washer	垫圈 8	2	Three piece valve,GB93-87	三片阀,GB93-87
3	B5050-00008	00	Washer	垫圈 8	4	Four piece valve	四片阀
4	D9FL8-72011	01	Pulley	滑轮	2	Four piece valve	四片阀
4	D9FL8-72011	01	Pulley	滑轮	1	Three piece valve	三片阀
5	B6150-00020	00	Snap ring	挡圈 20	2	Four piece valve	四片阀
5	B6150-00020	00	Snap ring	挡圈 20	1	Three piece valve,GB894.1-86	三片阀,GB894.1-86
6	D16JH-05221	05	Double row pipe clamp	双列管夹	2	Four piece valve	四片阀
6	D16JH-05221	05	Double row pipe clamp	双列管夹	1	Three piece valve	三片阀
7	B0230-06030	00	Bolt	螺栓 M6x30	2	Three piece valve,GB5782-86	三片阀,GB5782-86
7	B0230-06030	00	Bolt	螺栓 M6x30	4	Four piece valve	四片阀
8	B5050-00006	00	Washer,lock	垫圈 6	2	Three piece valve,GB93-87	三片阀,GB93-87
8	B5050-00006	00	Washer,lock	垫圈 6	4	Four piece valve	四片阀
9	Z9260-80350	00	8 x350 strapping tape	捆扎带 8x350	2	Three piece valve	三片阀
9	Z9260-80350	00	8 x350 strapping tape	捆扎带 8x350	4	Four piece valve	四片阀
10	F23JH-22041	00	Pipe clamp	管夹	4	Four piece valve	四片阀
10	F23JH-22041	00	Pipe clamp	管夹	2	Three piece valve	三片阀
11	Z9702-1025516	00	Hose H.P.	高压胶管	4	Four piece valve	四片阀
11	Z9702-1025516	00	Hose H.P.	高压胶管	2	Three piece valve, see table	三片阀,见表
12	Z9702-1027516	00	Hose H.P.	高压胶管	2	Four piece valve, see table	四片阀,见表
13	B0330-08025	00	Bolt	螺栓 M8x25	1	Three piece valve,GB5783-86	三片阀,GB5783-86
13	B0330-08025	00	Bolt	螺栓 M8x25	2	Four piece valve	四片阀
14	B5050-00008	00	Washer	垫圈 8	1	Three piece valve,GB93-87	三片阀,GB93-87
14	B5050-00008	00	Washer	垫圈 8	2	Four piece valve	四片阀

HRD9FL8701 05 Hose pulley block (metric)

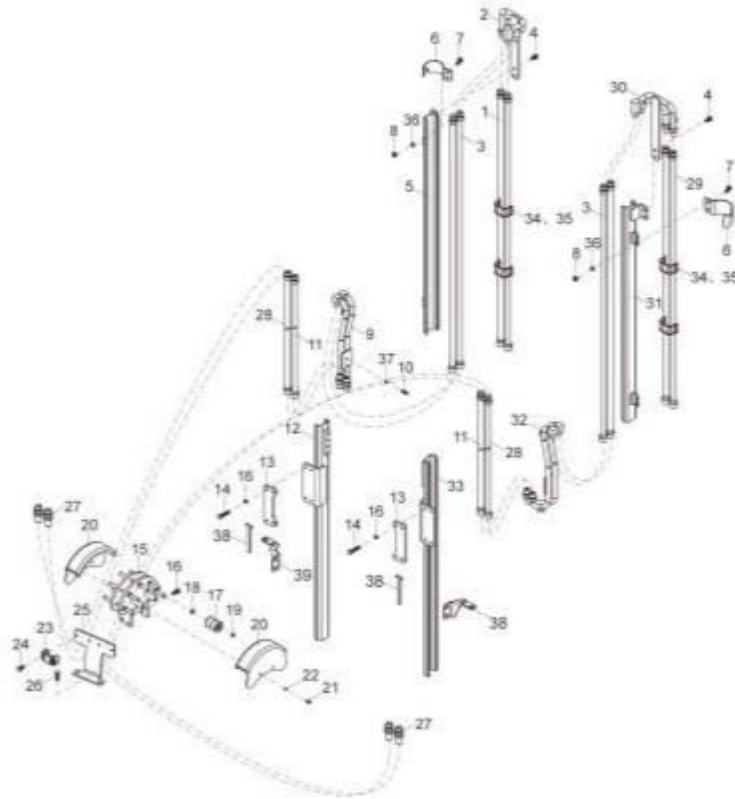
HRD9FL8701 05 胶管滑轮组(公制)



起升高度 LIFTING HEIGHT	胶管滑轮组选件 HOSE & PULLEY BLOCK OPTION TABLE							
	件11 NO. 11				件12 NO. 12			
	2-2.5t	3t	3.5t	3.8t	2-2.5t	3t	3.5t	3.8t
230	ZF702-1025516	ZF702-1026016	ZF702-1027016	ZF702-1027916	ZF702-1027516	ZF702-1028016	ZF702-1029016	ZF702-1029116
225	ZF702-1028016	ZF702-1029016	ZF702-1030016	ZF702-1031516	ZF702-1030016	ZF702-1031016	ZF702-1032016	ZF702-1033016
250	ZF702-1030516	ZF702-1031516	ZF702-1032516	ZF702-1034016	ZF702-1032516	ZF702-1033516	ZF702-1034516	ZF702-1035016
270	ZF702-1032516	ZF702-1033516	ZF702-1034516	ZF702-1036016	ZF702-1034516	ZF702-1035516	ZF702-1036516	ZF702-1038016
300	ZF702-1035016	ZF702-1036016	ZF702-1037016	ZF702-1039016	ZF702-1037516	ZF702-1038516	ZF702-1039516	ZF702-1041016
330	ZF702-1038016	ZF702-1039016	ZF702-1040016	ZF702-1042016	ZF702-1040516	ZF702-1041516	ZF702-1042516	ZF702-1044016
350	ZF702-1040516	ZF702-1041516	ZF702-1042516	ZF702-1044016	ZF702-1042516	ZF702-1043516	ZF702-1044516	ZF702-1046016
370	ZF702-1042516	ZF702-1043516	ZF702-1044516	ZF702-1046016	ZF702-1044516	ZF702-1045516	ZF702-1046516	ZF702-1048016
400	ZF702-1046016	ZF702-1047016	ZF702-1048016	ZF702-1049516	ZF702-1048016	ZF702-1049016	ZF702-1050016	ZF702-1051016
425	ZF702-1048516	ZF702-1049516	ZF702-1050516	ZF702-1052016	ZF702-1050516	ZF702-1051516	ZF702-1052516	ZF702-1054016
450	ZF702-1051016	ZF702-1052016	ZF702-1053016	ZF702-1054516	ZF702-1053016	ZF702-1054016	ZF702-1055016	ZF702-1056016
475	ZF702-1053516	ZF702-1054516	ZF702-1055516	ZF702-1057016	ZF702-1055516	ZF702-1056516	ZF702-1057516	ZF702-1059016
500	ZF702-1056016	ZF702-1057016	ZF702-1058016	ZF702-1059516	ZF702-1058016	ZF702-1059016	ZF702-1060016	ZF702-1061016
550	ZF702-1062016	ZF702-1063016	ZF702-1064016	ZF702-1065516	ZF702-1064016	ZF702-1065016	ZF702-1066016	ZF702-1067016
600	ZF702-1067016	ZF702-1068016	ZF702-1069016	ZF702-1070516	ZF702-1069016	ZF702-1070016	ZF702-1071016	ZF702-1072016

HRDK3H8701 07 Hose pulley block

HRDK3H8701 07 胶管滑轮组(ZM,公制)



胶管滑轮组选用件 (2-2.5t)
HOSE & PULLEY BLOCK OPTION TABLE (2-2.5t)

提升高度 LIFTING HEIGHT	811 NO.1	812 NO.2F	813 NO.3	814 NO.4	815 NO.5
820	1480	1600	1680	1860	1700
120	1580	1700	1780	1960	1800
160	1680	1800	1880	2060	1900
200	1780	1900	1980	2160	2000
240	1880	2000	2080	2240	2100
280	1980	2100	2180	2320	2200
320	2080	2200	2280	2400	2300
360	2180	2300	2380	2480	2400
400	2280	2400	2480	2560	2500
440	2380	2500	2580	2640	2600
480	2480	2600	2680	2720	2700
520	2580	2700	2780	2800	2800
560	2680	2800	2880	2880	2900
600	2780	2900	2980	2960	3000
640	2880	3000	3080	3040	3050

胶管滑轮组选用件 (3-3.8t)
HOSE & PULLEY BLOCK OPTION TABLE (3-3.8t)

提升高度 LIFTING HEIGHT	811 NO.1	812 NO.2F	813 NO.3	814 NO.4	815 NO.5
820	1480	1600	1680	1760	1860
120	1580	1700	1780	1860	1960
160	1680	1800	1880	1960	2060
200	1780	1900	1980	2060	2160
240	1880	2000	2080	2160	2260
280	1980	2100	2180	2260	2360
320	2080	2200	2280	2360	2460
360	2180	2300	2380	2460	2560
400	2280	2400	2480	2560	2660
440	2380	2500	2580	2640	2760
480	2480	2600	2680	2720	2860
520	2580	2700	2780	2800	2960
560	2680	2800	2880	2880	3060
600	2780	2900	2980	2960	3160
640	2880	3000	3080	3040	3260

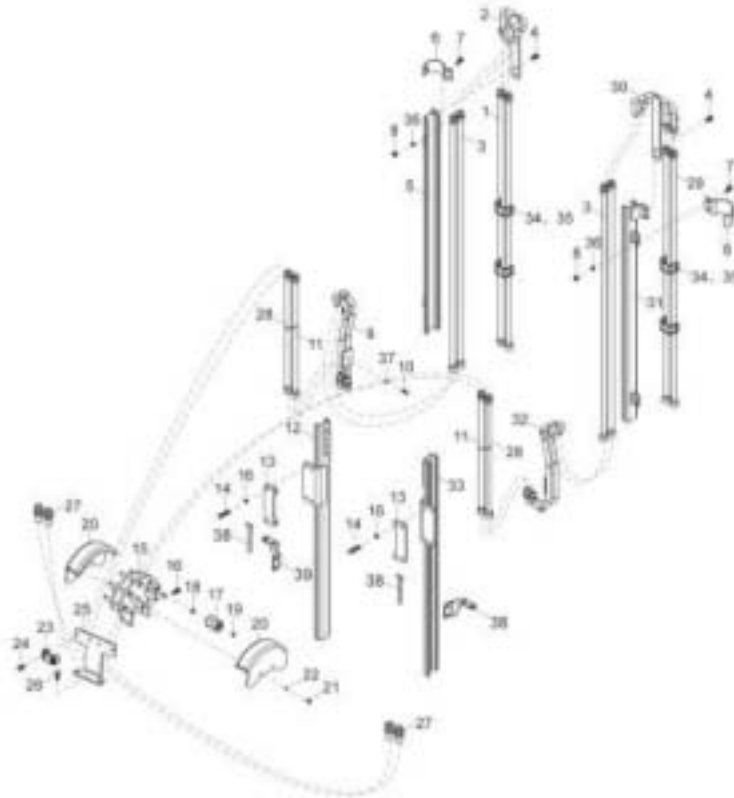
HRDK3H8701 07 Hose pulley block

HRDK3H8701 07 胶管滑轮组(ZM,公制)

序号 No.	零部件代号 Part No.	版本 Edition	名称 Part name		数量 Q'ty	备注 Remark	
1	Z9702-1000016	00	Hose H.P.	高压胶管	2	See table	见表
2	DK3H8-71031R	00	Outer guide steel tube (right)	外导轨钢管(右)	1		
3	Z9702-1000016DS Z	00	Double hose	双联胶管	1	Three piece valve, see table	三片阀,见表
3	Z9702-1000016DS Z	00	Double hose	双联胶管	2	Four piece valve, see table	四片阀,见表
4	B0330-08016-X1	00	Combined bolt	组合螺栓 M8x16	4	Four piece valve	四片阀
4	B0330-08016-X1	00	Combined bolt	组合螺栓 M8x16	2	Three piece valve ,GB57 83,GB93	三片 阀,GB5783, GB93
5	HRDK3H8711R	02	Guide rail(Outer,right)	外门架导轨总成(右)	1		
6	DK3H8-71011	01	Clip	3T 油缸抱卡	8	Four piece valve ,3t	四片阀 ,3t
6	DK3H8-71011	01	Clip	3T 油缸抱卡	4	Three piece valve ,3t	三片阀,3t
6	DK3H8-71051	01	Clip	3.5T 油缸抱卡	4	Three piece valve ,3.5,3. 8t	三片 阀,3.5,3.8t
6	DK3H8-71061	01	Clip	油缸抱卡	8	Four piece valve ,2-2.5t	四片 阀,2-2.5t
6	DK3H8-71061	01	Clip	油缸抱卡	4	Three piece valve ,2-2.5t	三片 阀,2-2.5t
6	DK3H8-71051	01	Clip	3.5T 油缸抱卡	8	Four piece valve ,3.5,3. 8t	四片 阀,3.5,3.8t
7	B0330-08020	00	Bolt	螺栓 M8x20	8	Four piece valve	四片阀
7	B0330-08020	00	Bolt	螺栓 M8x20	4	Three piece valve,GB578 3-86	三片 阀,GB5783- 86
8	B4223-00008	00	Nut M8x1	螺母 M8x1	4	Three piece valve ,GB61 71-86	三片 阀,GB6171- 86
8	B4223-00008	00	Nut M8x1	螺母 M8x1	8	Four piece valve	四片阀
9	DK3H8-71041R	01	Inner guide steel tube (right)	内导轨钢管(右)	1		
10	B0330-06016	00	Bolt	螺栓 M6x16	2	Three piece valve,GB578 3-86	三片 阀,GB5783- 86
10	B0330-06016	00	Bolt	螺栓 M6x16	4	Four piece valve	四片阀
11	Z9702-1000016SZ	00	Hose H.P.	高压胶管	1	Three piece valve, see table	三片阀,见表
11	Z9702-1000016SZ	00	Hose H.P.	高压胶管	2	Four piece valve	四片阀
12	HRDK3H8721R	01	Inner gantry guide rail assembly (right)	内门架导轨总成(右)	1		
13	DK3H8-72061	00	Retainer,cover	压板	1	Three piece valve	三片阀
13	DK3H8-72061	00	Retainer,cover	压板	2	Four piece valve	四片阀
14	B0330-08040	00	Bolt M8x40	螺栓 M8x40	4	Three piece valve ,GB57 83-86,2,2.5t	三片 阀,GB5783- 86,2,2.5t

HRDK3H8701 07 Hose pulley block

HRDK3H8701 07 胶管滑轮组(ZM,公制)



胶管滑轮组选项件 (2-2.5t)
HOSE & PULLEY BLOCK OPTION TABLE (2-2.5t)

选项件号 OPTION NUMBER	81 81.1	82 82.1	83 83.1	84 84.1	85 85.1
800	140	140	140	140	170
81	160	170	170	180	180
82	180	180	190	190	190
83	190	190	200	200	200
84	200	200	210	210	210
85	210	210	220	220	220
86	220	220	230	230	230
87	230	230	240	240	240
88	240	240	250	250	250
89	250	250	260	260	260
90	260	260	270	270	270
91	270	270	280	280	280
92	280	280	290	290	290
93	290	290	300	300	300
94	300	300	310	310	310
95	310	310	320	320	320
96	320	320	330	330	330
97	330	330	340	340	340
98	340	340	350	350	350
99	350	350	360	360	360
100	360	360	370	370	370

胶管滑轮组选项件 (3-3.8t)
HOSE & PULLEY BLOCK OPTION TABLE (3-3.8t)

选项件号 OPTION NUMBER	81 81.1	82 82.1	83 83.1	84 84.1	85 85.1
800	140	140	140	140	170
81	160	170	170	180	180
82	180	180	190	190	190
83	190	190	200	200	200
84	200	200	210	210	210
85	210	210	220	220	220
86	220	220	230	230	230
87	230	230	240	240	240
88	240	240	250	250	250
89	250	250	260	260	260
90	260	260	270	270	270
91	270	270	280	280	280
92	280	280	290	290	290
93	290	290	300	300	300
94	300	300	310	310	310
95	310	310	320	320	320
96	320	320	330	330	330
97	330	330	340	340	340
98	340	340	350	350	350
99	350	350	360	360	360
100	360	360	370	370	370

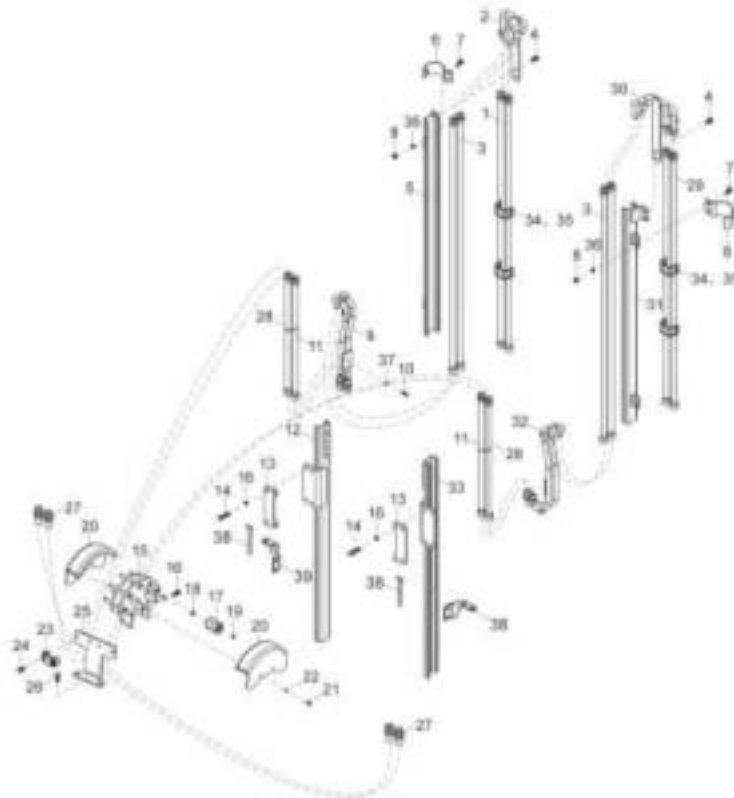
HRDK3H8701 07 Hose pulley block

HRDK3H8701 07 胶管滑轮组(ZM,公制)

序号 No.	零部件代号 Part No.	版本 Edition	名称 Part name		数量 Q'ty	备注 Remark	
14	B0330-08045	00	Bolt	螺栓 M8x45	8	Four piece valve	四片阀
14	B0330-08045	00	Bolt	螺栓 M8x45	4	Three piece valve ,GB5783-86,3-3.8t	三片阀,GB5783-86,3-3.8t
14	B0330-08040	00	Bolt M8x40	螺栓 M8x40	8	Four piece valve	四片阀
15	DK3P8-71021	01	Front cylinder pulley bracket	前缸滑轮支架	1	2,2.5t	2,2.5t
15	DK3J8-71021	01	Front cylinder pulley bracket	前缸滑轮支架	1	3-3.8t	3-3.8t
16	B0330-08020-X1	00	Combined bolt	组合螺栓 M8x20	4	GB5783,GB93	GB5783,GB93
17	DK3P8-72051	02	Pulley	滑轮	5	Three piece valve	三片阀
17	DK3P8-72051	02	Pulley	滑轮	10	Four piece valve	四片阀
18	F26JH-01391	00	Washer	垫圈	10	Four piece valve	四片阀
18	F26JH-01391	00	Washer	垫圈	5	Three piece valve	三片阀
19	B6150-00010	00	Snap ring	挡圈 10	10	Four piece valve	四片阀
19	B6150-00010	00	Snap ring	挡圈 10	5	Three piece valve,GB894 1-86	三片阀,GB894. 1-86
20	DK3P8-72111	01	Rubber hose cover	胶管防护盖	2	Four piece valve ,2-2.5t	四片阀,2-2.5t
20	DK3P8-72111	01	Rubber hose cover	胶管防护盖	1	Three piece valve ,2,2.5t	三片阀,2,2.5t
20	DK3J8-72111	00	Rubber hose cover	胶管防护盖	2	Four piece valve ,3-3.8t	四片阀,3-3.8t
20	DK3J8-72111	00	Rubber hose cover	胶管防护盖	1	Three piece valve ,3-3.8t	三片阀,3-3.8t
21	B1210-05012	00	Screw	螺钉 M5x12	4	Four piece valve	四片阀
21	B1210-05012	00	Screw	螺钉 M5x12	2	Three piece valve ,GB818-85	三片阀,GB818-85
22	B5050-00005	00	Washer	垫圈 5	4	Four piece valve	四片阀
22	B5050-00005	00	Washer	垫圈 5	2	Three piece valve,GB93-87	三片阀,GB93-87
23	D16JH-05221A	01	Double row pipe clamp	双列管夹	2	Four piece valve	四片阀
23	D16JH-05221A	01	Double row pipe clamp	双列管夹	1	Three piece valve	三片阀
24	B0330-08030-X1	00	Combined bolt	组合螺栓 M8×30	4	Four piece valve	四片阀
24	B0330-08030-X1	00	Combined bolt	组合螺栓 M8×30	2	Three piece valve ,GB5783,GB93	三片阀,GB5783,GB93
25	DK3P8-75021	00	The guide plate II	导向支板 II	1		
26	B0330-08016-X1	00	Combined bolt	组合螺栓 M8x16	2	Three piece valve ,GB5783,GB93	三片阀,GB5783,GB93
26	B0330-08016-X1	00	Combined bolt	组合螺栓 M8x16	4	Four piece valve	四片阀
27	JT6021-18011LGB	00	Nipple	直通隔板接头	4	Four piece valve	四片阀

HRDK3H8701 07 Hose pulley block

HRDK3H8701 07 胶管滑轮组(ZM,公制)



胶管滑轮组选项件 (2-2.5t)
HOSE & PULLEY BLOCK OPTION TABLE (2-2.5t)

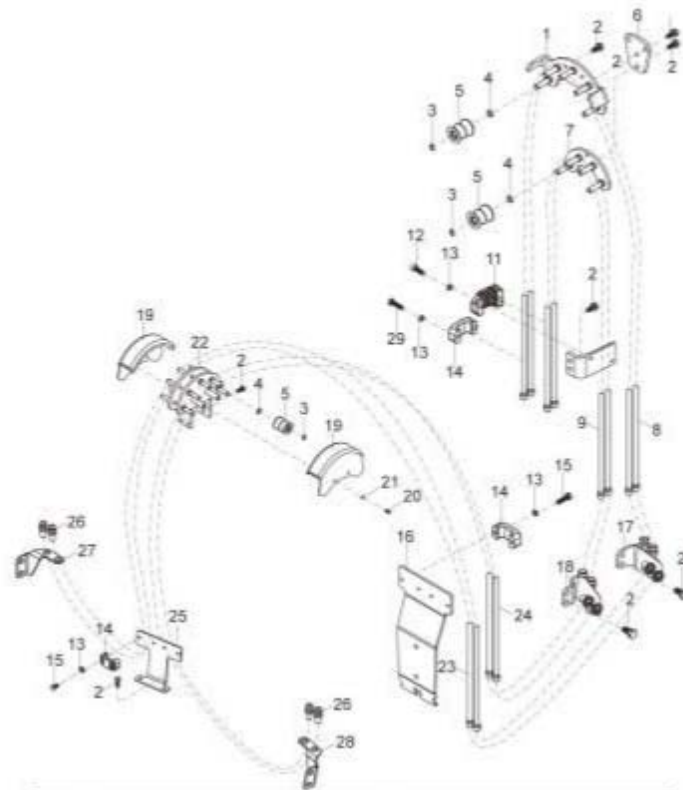
选项件号 OPTION NUMBER	81 81.1	82 82.1	83 83.1	84 84.1	85 85.1
800	140	140	140	140	170
81	160	170	170	180	190
82	180	190	190	200	210
83	190	190	190	200	200
84	190	210	190	190	210
85	240	240	240	240	250
86	270	270	240	240	240
87	270	240	240	240	240
88	270	240	240	240	240
89	270	240	240	240	240
90	270	240	240	240	240
91	270	240	240	240	240
92	270	240	240	240	240
93	270	240	240	240	240
94	270	240	240	240	240
95	270	240	240	240	240
96	270	240	240	240	240
97	270	240	240	240	240
98	270	240	240	240	240
99	270	240	240	240	240
100	270	240	240	240	240

胶管滑轮组选项件 (3-3.8t)
HOSE & PULLEY BLOCK OPTION TABLE (3-3.8t)

选项件号 OPTION NUMBER	81 81.1	82 82.1	83 83.1	84 84.1	85 85.1
800	140	140	140	170	170
81	160	170	170	180	190
82	180	190	190	200	210
83	190	190	190	200	200
84	190	210	190	190	210
85	240	240	240	240	250
86	270	270	240	240	240
87	270	240	240	240	240
88	270	240	240	240	240
89	270	240	240	240	240
90	270	240	240	240	240
91	270	240	240	240	240
92	270	240	240	240	240
93	270	240	240	240	240
94	270	240	240	240	240
95	270	240	240	240	240
96	270	240	240	240	240
97	270	240	240	240	240
98	270	240	240	240	240
99	270	240	240	240	240
100	270	240	240	240	240

HRDK3P8701 12 Hose pulley block

HRDK3P8701 12 胶管滑轮组



胶管滑轮组选配件 HOSE & PULLEY BLOCK OPTION TABLE						
配件高度 LIFTING HEIGHT	R# NO.8			R#NO.9		
	3-2 ST	3-3 ST	3 ST	2-2 ST	3-3 ST	3 ST
360	29702-103101602	29702-103201602	29702-103301602	29702-103001602	29702-103101602	29702-103201602
400	29702-103401602	29702-103501602	29702-103601602	29702-103301602	29702-103401602	29702-103501602
430	29702-103801602	29702-103701602	29702-103901602	29702-103601602	29702-103701602	29702-103701602
464	29702-103701602	29702-103801602	29702-103901602	29702-103801602	29702-103701602	29702-103901602
470	29702-103801602	29702-103901602	29702-104001602	29702-103701602	29702-103801602	29702-103901602
480	29702-103801602	29702-103901602	29702-104101602	29702-103701602	29702-103801602	29702-104001602
500	29702-104301602	29702-104101602	29702-104301602	29702-103901602	29702-104001602	29702-104301602
540	29702-104201602	29702-104301602	29702-104201602	29702-104101602	29702-104201602	29702-104401602
600	29702-104601602	29702-104701602	29702-104901602	29702-104601602	29702-104601602	29702-104801602
660	29702-105001602	29702-105101602	29702-105301602	29702-104901602	29702-105001602	29702-105201602
700	29702-105301602	29702-105401602	29702-105601602	29702-105201602	29702-105301602	29702-105501602
750	29702-105701602	29702-106101602	29702-106201602	29702-105601602	29702-106001602	29702-106101602
780		29702-106301602	29702-106401602		29702-106201602	29702-106301602
800	29702-104001602			29702-104201602		
800		29702-104401602		29702-104301602		
胶管滑轮组选配件 HOSE & PULLEY BLOCK OPTION TABLE						
配件高度 LIFTING HEIGHT	R# NO.23			R#NO.24		
	3-2 ST	3-3 ST	3 ST	2-2 ST	3-3 ST	3 ST
360	29702-102701602	29702-102701602	29702-102701602	29702-102701602	29702-102701602	29702-102701602
400	29702-102901602	29702-102901602	29702-102901602	29702-102901602	29702-102901602	29702-102901602
430	29702-102901602	29702-102901602	29702-102901602	29702-102901602	29702-102901602	29702-102901602
460	29702-103001602	29702-103001602	29702-103001602	29702-102901602	29702-102901602	29702-102901602
470	29702-103001602	29702-103001602	29702-103001602	29702-103001602	29702-103001602	29702-103001602
480	29702-103101602	29702-103101602	29702-103101602	29702-103001602	29702-103001602	29702-103001602
500	29702-103201602	29702-103201602	29702-103201602	29702-103101602	29702-103101602	29702-103101602
540	29702-103301602	29702-103301602	29702-103301602	29702-103201602	29702-103201602	29702-103201602
600	29702-103501602	29702-103501602	29702-103501602	29702-103401602	29702-103401602	29702-103401602
660	29702-103701602	29702-103701602	29702-103701602	29702-103601602	29702-103601602	29702-103601602
700	29702-103901602	29702-103901602	29702-103901602	29702-103801602	29702-103801602	29702-103801602
750	29702-104001602	29702-104101602	29702-104101602	29702-103901602	29702-104001602	29702-104101602
780		29702-104201602	29702-104201602		29702-104201602	29702-104201602
800	29702-103301602			29702-103301602		
800		29702-103301602			29702-103301602	

HRDK3P8701 12 Hose pulley block

HRDK3P8701 12 胶管滑轮组

序号 No.	零部件代号 Part No.	版本 Edition	名称 Part name		数量 Q'ty	备注 Remark	
1	DK3P8-71001	01	Pulley bracket	I	滑轮支架 I	1	
2	B0330-08020-X	00	Combined bolt		组合螺栓 M8x20	13	Three piece valve ,GB5783,GB93
2	B0330-08020-X	00	Combined bolt		组合螺栓 M8x20	17	Four piece valve
3	B6150-00010	00	Snap ring		挡圈 10	10	Three piece valve,GB894.1-86
3	B6150-00010	00	Snap ring		挡圈 10	19	Four piece valve
4	F26JH-01391	00	Washer		垫圈	19	Four piece valve
4	F26JH-01391	00	Washer		垫圈	10	Three piece valve
5	DK3P8-72051	02	Pulley		滑轮	10	Three piece valve
5	DK3P8-72051	02	Pulley		滑轮	19	Four piece valve
6	DK3P8-72061	01	Plate		连接板	1	Four piece valve
7	DK3P8-71011	01	Pulley bracket	II	滑轮支架 II	1	Four piece valve
8	Z9702-1000016SZ	00	Hose H.P.		高压胶管	2	See table
9	Z9702-1000016SZ	00	Hose H.P.		高压胶管	2	Four piece valve, see table
10	DK3P8-72011	00	The pipe clamp plate		管夹支板	1	
11	DK3P8-72001A	00	Pipe clamp		管夹	1	
12	B8030-08025	00	Screw M8x25		螺钉 M8x25	2	GB70-85
13	B5050-00008	00	Washer		垫圈 8	6	Three piece valve,GB93-87
13	B5050-00008	00	Washer		垫圈 8	12	Four piece valve
14	D16JH-05221A	01	Double row pipe clamp		双列管夹	5	Four piece valve
14	D16JH-05221A	01	Double row pipe clamp		双列管夹	2	Three piece valve
15	B0330-08030	00	Bolt		螺栓 M8x30	8	Four piece valve
15	B0330-08030	00	Bolt		螺栓 M8x30	2	Three piece valve,GB5783-86
16	DK3P8-72121	01	The guide plate	I	导向支板 I	1	
17	DK3P8-72171	00	Four-way steel pipe assembly		四通钢管总成	1	
18	DK3P8-72181	00	Four-way elbow assembly		四通弯管总成	1	Four piece valve
19	DK3P8-72111	01	Rubber hose cover		胶管防护盖	2	2,2.5t
19	DK3J8-72111	00	Rubber hose cover		胶管防护盖	2	3,3.5t
20	B1210-05012	00	Screw		螺钉 M5x12	4	GB818-85
21	B5050-00005	00	Washer		垫圈 5	4	GB93-87

