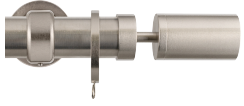


**Table of Content**

---



AVEIRO

Page 2



CORDOBA

Page 3



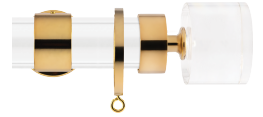
DRESDEN

Page 4



FRANKFURT

Page 5



GLASGOW

Page 6



LISBON

Page 7



PORTO

Page 8



UTILITY

Page 9 -11

### Getting Started

#### In The Box:

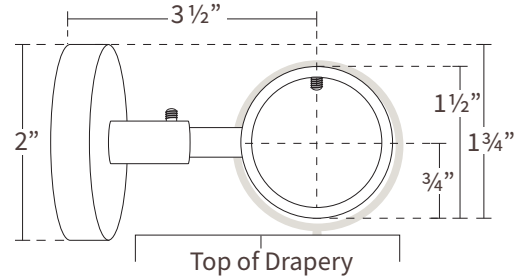
- Pole(s)
- Drapery Rings
- Finials
- Mounting Brackets
- Allen Key
- Screws

#### Tools Needed:

- Drill with 1/8" bit & Phillips Bit
- Phillips Screw Driver
- Tape Measure

#### Bracket Dimensions:

Helpful for determining your installation height



### Begin Installing

#### Step 1:

To determine the mounting bracket height. You will first want to determine the drapery's manufactured length. This information can be found on the order or on the id ticket on the top back side of the drapery. Once you know the fabricated length, add any additional clearance you would like off of the floor. Use the drapery length plus the floor clearance as the finished height of the drapery.

Next, you will need to add 1 1/4" to the center of the bracket. See A1. (drape length +/- clearance + bracket offset = center mark)

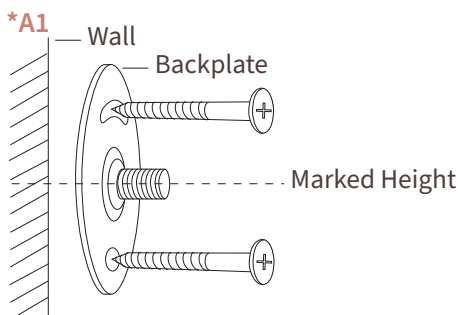
*Example: Drapery Length* 100" + *Floor Clearance* 1/2" = 100 1/2"  
*Center Bracket Adjustment* 100 1/2" + *Bracket Offset* 1 1/4" = 101 3/4"  
*Mark for bracket height* 101 3/4"

#### Step 2: A1\*

Measure the overall rod width from end to end or hold up the rod to the window to determine equal distance past. Mark the placement of the end of the rod. Next, you will want to mark the bracket 3"-4" inch in from the end of the rod.

Remove backplate mounting plate from bracket, place the center of backplate at determined height from step 1 and mark from distance past the window to center of mounting plate.

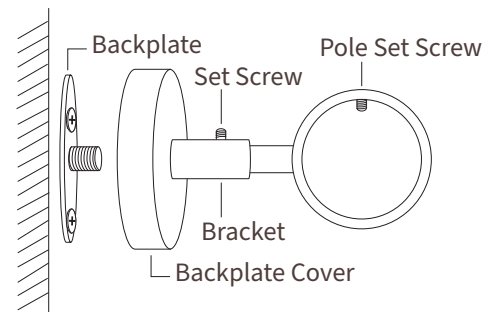
Drill screws in through each hole to secure mount. Repeat process for all other brackets between the two installed brackets



#### Step 3: A2\*

Reassemble brackets onto backplates. Screw bracket clockwise onto backplates. Turn until secure. Make sure bracket opening is vertical (loosen small hex to adjust and tighten once complete).

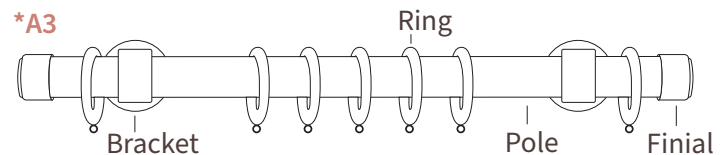
#### \*A2



#### Step 4: A3\*

Slide one pole end in through one bracket then insert rings onto pole leaving two rings off to put one on each finial side of brackets. Slide other end through last bracket. Tighten set screws on brackets.

#### \*A3



#### Step 5:

Attach finials to both ends of pole. Tighten set screws on finials to secure to pole.

### Getting Started

#### In The Box:

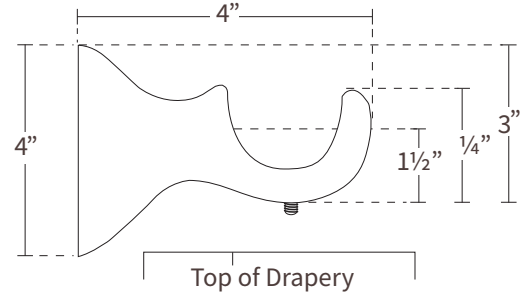
- Pole(s)
- Drapery Rings
- Finials
- Mounting Brackets
- Allen Key
- Screws

#### Tools Needed:

- Drill with 1/8" bit & Phillips Bit
- Phillips Screw Driver
- Tape Measure

#### Bracket Dimensions:

Helpful for determining your installation height



### Begin Installing

#### Step 1:

To determine the mounting bracket height. You will first want to determine the drapery's manufactured length. This information can be found on the order or on the id ticket on the top back side of the drapery. Once you know the fabricated length, add any additional clearance you would like off of the floor. Use the drapery length plus the floor clearance as the finished height of the drapery.

Next, you will need to add 1 3/4" to the center of the bracket. See A1. (drape length +/- clearance + bracket offset = center mark)

*Example: Drapery Length* 100" + *Floor Clearance* 1/2" = 100 1/2"  
*Center Bracket Adjustment* 100 1/2" + *Bracket Offset* 1 3/4" = 102 1/4"  
*Mark for bracket height* 102 1/4"

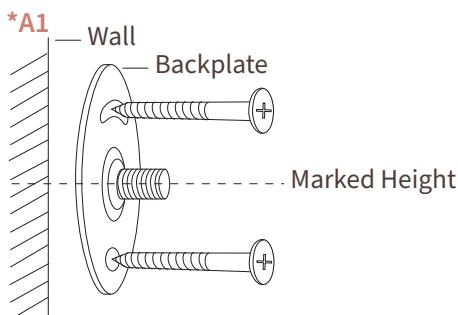
#### Step 2: A1\*

Measure the overall rod width from end to end or hold up the rod to the window to determine equal distance past. Mark the placement of the end of the rod. Next, you will want to mark the bracket 3"-4" inch in from the end of the rod.

Remove backplate mounting plate from bracket, place the center of backplate at determined height from step 1 and mark from distance past the window to center of mounting plate.

Drill screws in through each hole to secure mount.

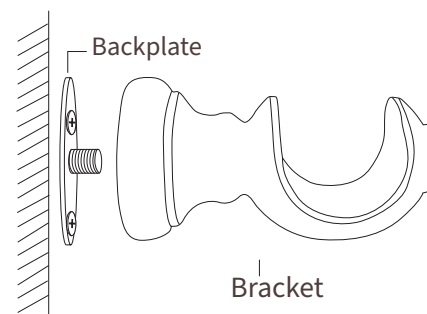
Repeat process for all other brackets between the two installed brackets



#### Step 3: A2\*

Reassemble brackets onto backplates. Turn until secure.

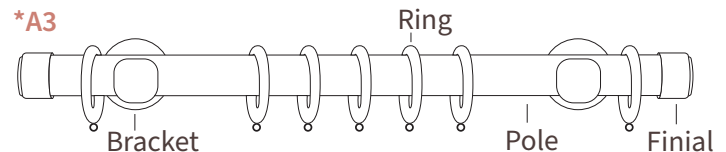
#### \*A2



#### Step 4: A3\*

Slide one pole end in through one bracket then insert rings onto pole leaving two rings off to put one on each finial side of brackets. Slide other end through last bracket.

#### \*A3



#### Step 5:

Attach finials to both ends of pole.

### Getting Started

#### In The Box:

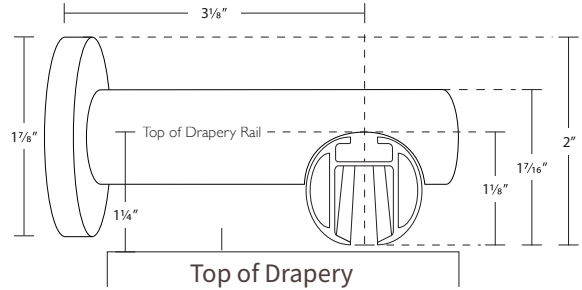
- Pole(s)
- Finials
- Mounting Brackets
- Allen Key
- Screws

#### Tools Needed:

- Drill with 1/8" bit & Phillips Bit
- Phillips Screw Driver
- Tape Measure

#### Bracket Dimensions:

Helpful for determining your installation height



### Begin Installing

#### Step 1:

Mark the height you would like the top of your drapery rail to be installed, taking into account any clearance or puddling you desire at the bottom, as well as top of rail to top of drapery difference 1 1/4"

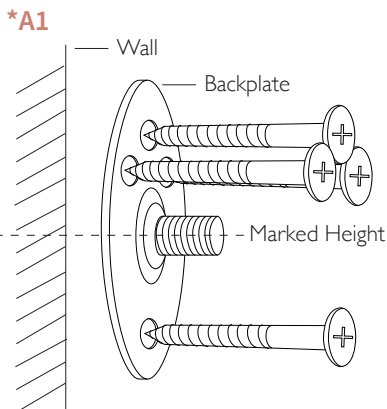
#### Step 2: A1\*

Measure the width of the track. Mark the placement of the two end brackets at the height determined in step 1 approximately 3" - 4" in from the ends of where the track will be installed.

Take the back plate off the bracket and place the center of the back plate at marked height. (Remove back plate from the bracket by rotating plate counter clockwise.)

Drill in screws through the top and bottom holes for secure mount. Repeat this process for all other brackets evenly spacing them between the two installed brackets.

*Note: The top of bracket will rise 1" above the rail.*



#### Step 3:

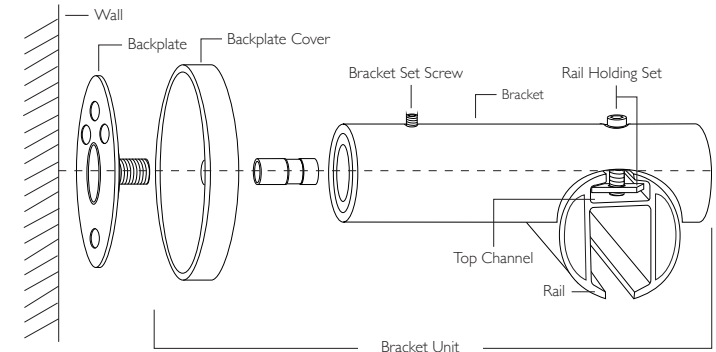
Reassemble brackets onto backplates. Screw bracket clockwise onto backplates. Turn until secure. Make sure bracket opening is vertical (loosen small hex to adjust and tighten once complete).

#### Step 4: A2\*

Make sure rail holding set is attached to the bracket loosely. (you should receive it this way).

Attach the rail to the brackets making sure holding rail set slips into top channel. Lock the rail holding set into the top channel using included Allen key.

#### \*A2



#### Step 5:

Attach end caps to both ends of the rail.

### Getting Started

#### In The Box:

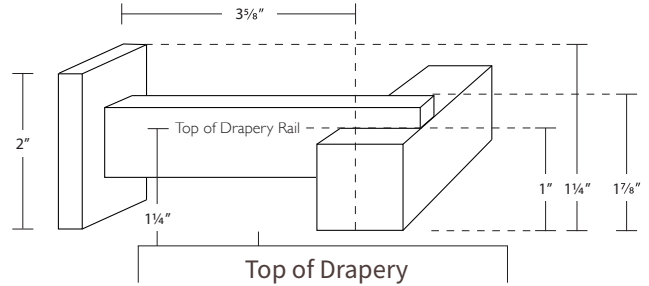
- Pole(s)
- Finials
- Mounting Brackets
- Allen Key
- Screws

#### Tools Needed:

- Drill with 1/8" bit & Phillips Bit
- Phillips Screw Driver
- Tape Measure

#### Bracket Dimensions:

Helpful for determining your installation height



### Begin Installing

#### Step 1:

Mark the height you would like the top of your drapery rail to be installed, taking into account any clearance or puddling you desire at the bottom, as well as top of rail to top of drapery difference 1 1/4"

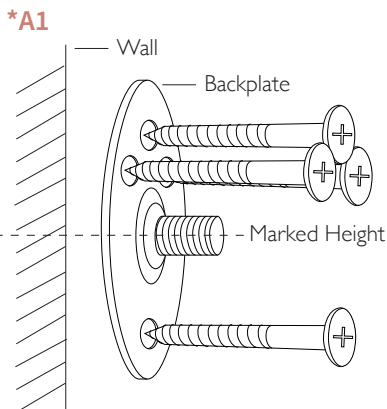
#### Step 2: A1\*

Measure the width of the track. Mark the placement of the two end brackets at the height determined in step1 approximately 3" - 4" in from the ends of where the track will be installed.

Take the back plate off the bracket and place the center of the back plate at marked height. (Remove back plate from the bracket by rotating plate counter clockwise.)

Drill in screws through the top and bottom holes for secure mount. Repeat this process for all other brackets evenly spacing them between the two installed brackets.

*Note: The top of bracket will rise 1" above the rail.*



#### Step 3:

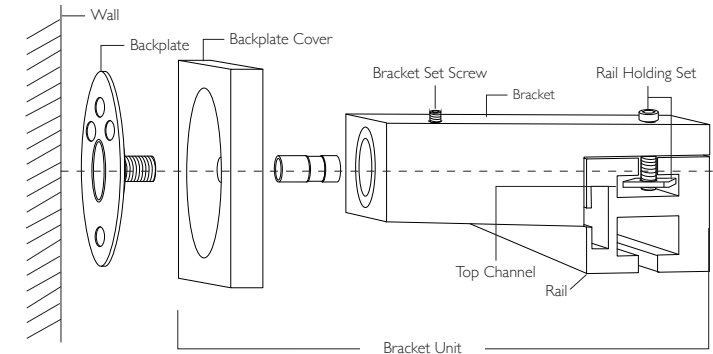
Reassemble brackets onto backplates. Screw bracket clockwise onto backplates. Turn until secure. Make sure bracket opening is vertical (loosen small hex to adjust and tighten once complete).

#### Step 4: A2\*

Make sure rail holding set is attached to the bracket loosely. (you should receive it this way).

Attach the rail to the brackets making sure holding rail set slips into top channel. Lock the rail holding set into the top channel using included Allen key.

#### \*A2



#### Step 5:

Attach end caps to both ends of the rail.

### Getting Started

#### In The Box:

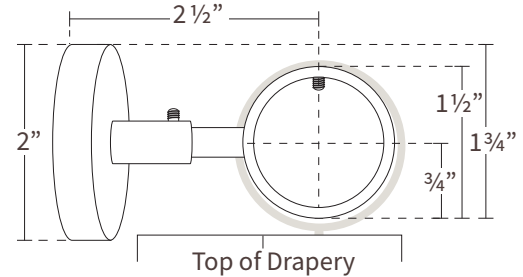
- Pole(s)
- Drapery Rings
- Finials
- Mounting Brackets
- Splice (Poles over 96")
- Allen Key
- Screws

#### Tools Needed:

- Drill with 1/8" bit & Phillips Bit
- Phillips Screw Driver
- Tape Measure

#### Bracket Dimensions:

Helpful for determining your installation height



### Begin Installing

#### Step 1:

To determine the mounting bracket height. You will first want to determine the drapery's manufactured length. This information can be found on the order or on the id ticket on the top back side of the drapery. Once you know the fabricated length, add any additional clearance you would like off of the floor. Use the drapery length plus the floor clearance as the finished height of the drapery.

Next, you will need to add 1 1/2" to the center of the bracket. See A1. (drape length +/- clearance + bracket offset = center mark)

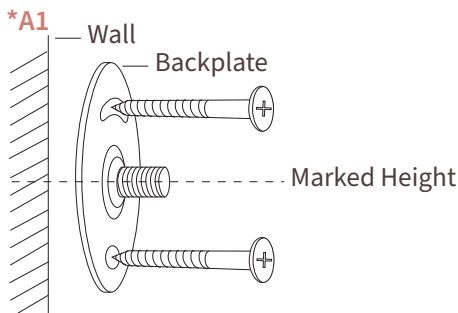
*Example: Drapery Length* 100" + *Floor Clearance* 1/2" = 100 1/2"  
*Center Bracket Adjustment* 100 1/2" + *Bracket Offset* 1 1/2" = 102"  
*Mark for bracket height* 102

#### Step 2: A1\*

Measure the overall rod width from end to end or hold up the rod to the window to determine equal distance past. Mark the placement of the end of the rod. Next, you will want to mark the bracket 3"-4" inch in from the end of the rod.

Remove backplate mounting plate from bracket, place the center of backplate at determined height from step 1 and mark from distance past the window to center of mounting plate.

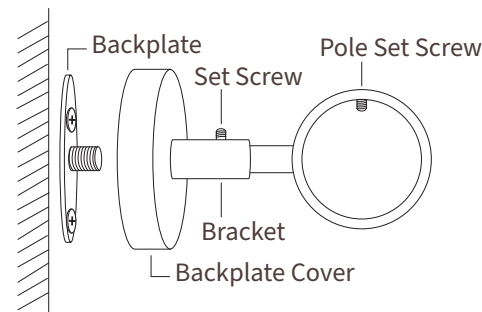
Drill screws in through each hole to secure mount. Repeat process for all other brackets between the two installed brackets



#### Step 3: A2\*

Reassemble brackets onto backplates. Screw bracket clockwise onto backplates. Turn until secure. Make sure bracket opening is vertical (loosen small hex to adjust and tighten once complete).

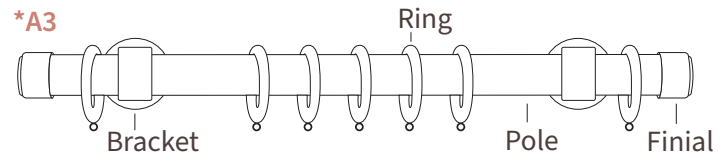
#### \*A2



#### Step 4: A3\*

Slide one pole end in through one bracket then insert rings onto pole leaving two rings off to put one on each finial side of brackets. Slide other end through last bracket. Tighten set screws on brackets.

#### \*A3



#### Step 5:

Attach finials to both ends of pole. Tighten set screws on finials to secure to pole.

### Getting Started

#### In The Box:

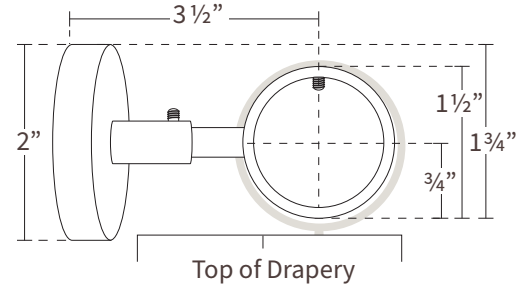
- Pole(s)
- Drapery Rings
- Finials
- Mounting Brackets
- Allen Key
- Screws

#### Tools Needed:

- Drill with 1/8" bit & Phillips Bit
- Phillips Screw Driver
- Tape Measure

#### Bracket Dimensions:

Helpful for determining your installation height



### Begin Installing

#### Step 1:

To determine the mounting bracket height. You will first want to determine the drapery's manufactured length. This information can be found on the order or on the id ticket on the top back side of the drapery. Once you know the fabricated length, add any additional clearance you would like off of the floor. Use the drapery length plus the floor clearance as the finished height of the drapery.

Next, you will need to add 1 1/4" to the center of the bracket. See A1. (drape length +/- clearance + bracket offset = center mark)

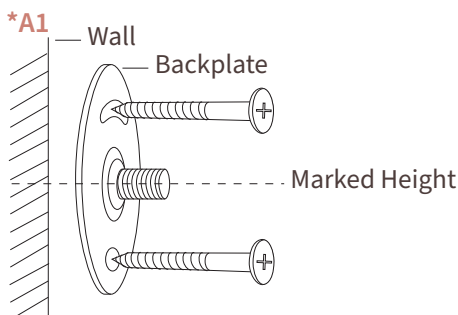
*Example: Drapery Length* 100" + *Floor Clearance* 1/2" = 100 1/2"  
*Center Bracket Adjustment* 100 1/2" + *Bracket Offset* 1 1/4" = 101 3/4"  
*Mark for bracket height* 101 3/4"

#### Step 2: A1\*

Measure the overall rod width from end to end or hold up the rod to the window to determine equal distance past. Mark the placement of the end of the rod. Next, you will want to mark the bracket 3"-4" inch in from the end of the rod.

Remove backplate mounting plate from bracket, place the center of backplate at determined height from step 1 and mark from distance past the window to center of mounting plate.

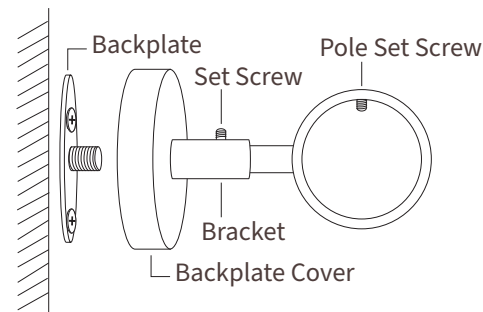
Drill screws in through each hole to secure mount. Repeat process for all other brackets between the two installed brackets



#### Step 3: A2\*

Reassemble brackets onto backplates. Screw bracket clockwise onto backplates. Turn until secure. Make sure bracket opening is vertical (loosen small hex to adjust and tighten once complete).

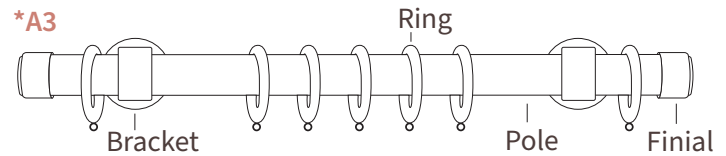
#### \*A2



#### Step 4: A3\*

Slide one pole end in through one bracket then insert rings onto pole leaving two rings off to put one on each finial side of brackets. Slide other end through last bracket. Tighten set screws on brackets.

#### \*A3



#### Step 5:

Attach finials to both ends of pole. Tighten set screws on finials to secure to pole.

## Getting Started

### In The Box:

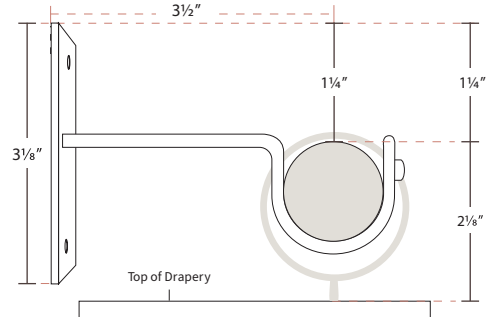
- Pole(s)
- Drapery Rings
- Finials (If Purchased)
- Mounting Brackets
- Splice (Poles over 96")
- Screws

### Tools Needed:

- Drill with 1/8" bit & Phillips Bit
- Phillips Screw Driver
- Tape Measure

### Bracket Dimensions:

Helpful for determining your installation height.



## Begin Installing

### Step 1:

To determine the mounting bracket height. First determine the drapery's manufactured length. This information can be found on the order or on the id ticket on the top back of the drapery. Also determine what clearance you would like off / on the floor.

In addition, add 2 1/8" to the total measurement of the drapery + clearance, this will be your marked height.

*(drape length +/- clearance + bracket offset = Marked Height)*

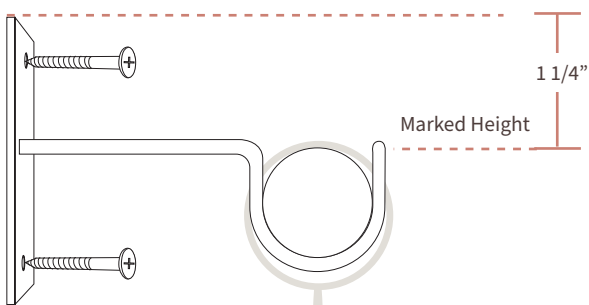
**Ex. ( 100" + 1/2" = 100 1/2" ) for 1/2" off the floor. (100 1/2" + 2 1/8" = 102 5/8" ) 102 5/8" is marked height**

### Step 2: A1\*

Measure the overall rod width from end to end or hold up the rod to the window to determine equal distance past. Mark the placement of the end of the rod. Then you will want to mark the bracket 3 to 4 inch in from the end of the rod.

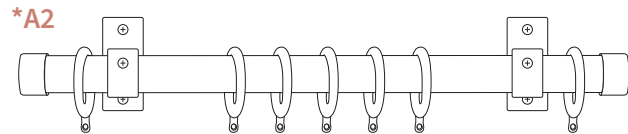
After marking the distance in, place top of the bracket 1 1/4" above the marked height. Drill screws in through each hole to secure mount. Repeat process for all other brackets between the two installed brackets

### \*A2



### Step 3: A2\*

Once the brackets are secured, place rings on to the rod. We recommended leaving one bracket on each end of the rod out side the brackets. Then gently place the rod on to the brackets and secure them by tightening the screws in that are on the bracket in front of the rod.



### Step 4:

After the rod and rings are in, place the finials on to the ends of the rod.



### Getting Started

#### In The Box:

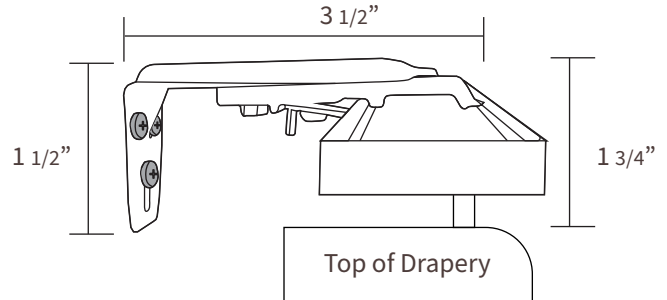
- Pole(s)
- Mounting Brackets
- Screws

#### Tools Needed:

- Drill with 1/8" bit & Phillips Bit
- Phillips Screw Driver
- Tape Measure

#### Bracket Dimensions:

Helpful for determining your installation height



### Begin Installing

#### Step 1:

First determine the drapery's manufactured length. This information can be found on the order or on the id ticket on the top back side of the drapery. Once you know the fabricated length, add any additional clearance you would like off of the floor. Use the drapery length plus the floor clearance as the finished height of the drapery.

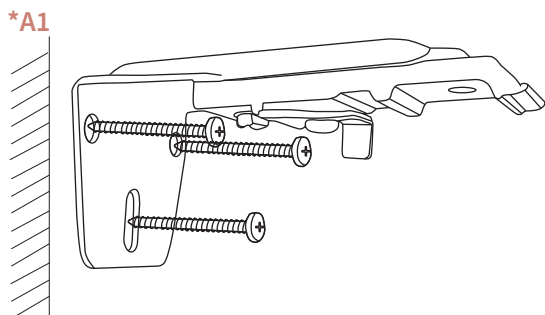
Next, you will need to add 1 3/4" to the top of the bracket.  
(drape length +/- clearance + bracket offset = Marked Bracket Height)

*Example: Drapery Length 100" + Floor Clearance 1/2" = 100 1/2"*  
*Bracket Adjustment 100 1/2" + Bracket Offset 1 3/4" = 102 1/4"*  
*Mark for top of bracket height 102 1/4"*

#### Step 2: A1\*

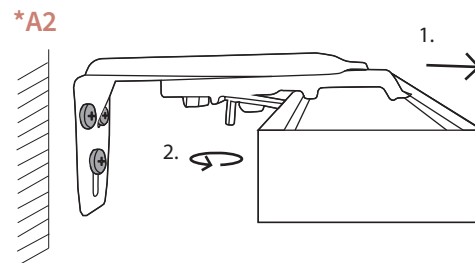
Use rod width from end to end or hold up the rod to the window to determine equal distance past. Mark each end of the rod. Next, place bracket 3"- 4" inch in from the ends. Using the top of the bracket, place at marked height (Step 1). Then drill screws in the left and right holes and bottom hole of the bracket while keeping top of bracket aligned to the marked height.

Repeat process for all other brackets.

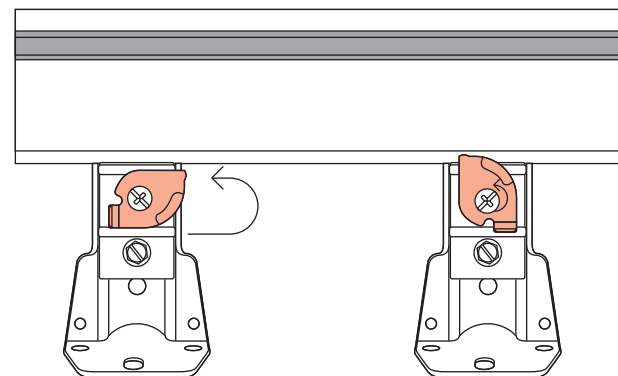


#### Step 3: A2\*

Before installing rod, make sure the metal latch is loose and turned to the sides. Now slide in the rod so the lips of the bracket sit under the lips on the top of the rods. To secure in to place you will need to turn the metal latch under the rod and tighten it. Reference the images bellow.



#### \*A 2.2 Underneath View



### Getting Started

#### In The Box:

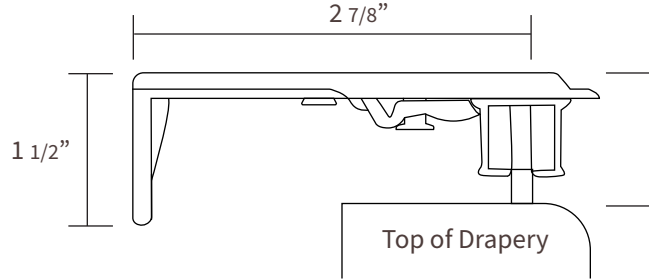
- Rod(s)
- Mounting Brackets
- Screws

#### Tools Needed:

- Drill with 1/8" bit & Phillips Bit
- Phillips Screw Driver
- Tape Measure

#### Bracket Dimensions:

Helpful for determining your installation height



### Begin Installing

#### Step 1:

You will first want to determine the drapery's manufactured length. This information can be found on the order or on the id ticket on the top back side of the drapery. Add any additional clearance you would like off of the floor. Then use the drapery length plus the floor clearance as the finished height of the drapery.

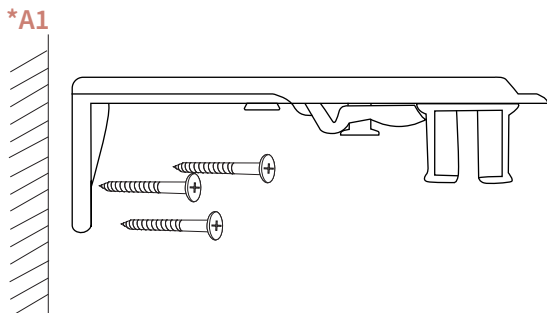
Next, you will need to add 1 1/4" to the top of the bracket.  
(drape length +/- clearance + bracket offset = Marked Bracket Height)

*Example: Drapery Length 100" + Floor Clearance 1/2" = 100 1/2"*  
*Bracket Adjustment 100 1/2" + Bracket Offset 1 1/4" = 101 3/4"*  
*Mark for top of bracket height 101 3/4"*

#### Step 2: A1\*

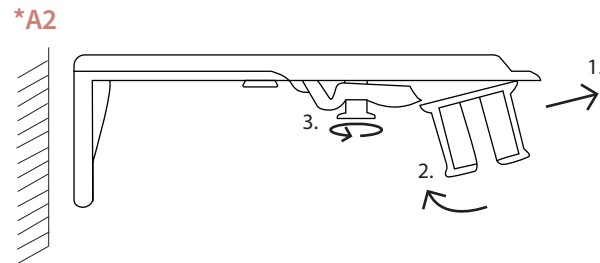
Use rod width from end to end or hold up the rod to the window to determine equal distance past. Mark each end of the rod. Next, place bracket 3"- 4" inch in from the ends. Using the top of the bracket, place at marked height (Step 1). Then drill screws in the left and right holes and bottom hole of the bracket while keeping top of bracket aligned to the marked height.

Repeat process for all other brackets.



#### Step 3: A2\*

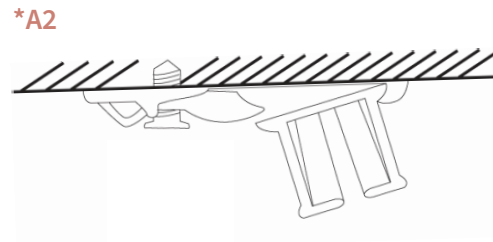
Before installing rod, make sure the screw on the plastic clip is loosen to that the plastic clip has some slack for the rod to clip into. Start at an angle with the front of the rod up then once placed under the lip push back end of rod into the plastic clip until you hear a click. Then screw in firmly.



#### FOR CEILING BRACKETS

Follow steps 1 through 3 with only a few changes.

- The **bracket offset** is 3/4" (**not 1 1/4"**)
- **One screw per bracket**, the brackets will be screwd directly in to the ceiling, make sure to screw in half way and only fully tighten all the way after the rod is secured in to the plastic clip.



## Getting Started

### In The Box:

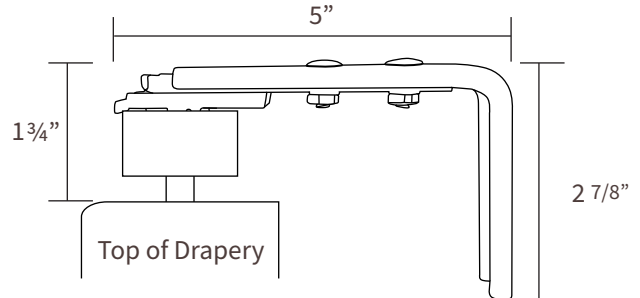
- Rod(s)
- Mounting Brackets
- Screws

### Tools Needed:

- Drill with 1/8" bit & Phillips Bit
- Phillips Screw Driver
- Tape Measure

### Bracket Dimensions:

Helpful for determining your installation height



## Begin Installing

### Step 1:

First determine the drapery's manufactured length. This information can be found on the order or on the id ticket on the top back side of the drapery. Once you know the fabricated length, add any additional clearance you would like off of the floor. Use the drapery length plus the floor clearance as the finished height of the drapery.

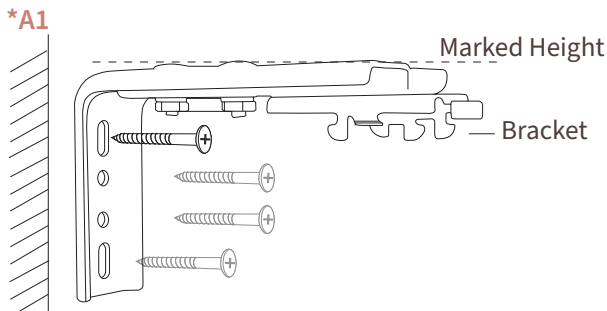
Next, you will need to add 1 3/4" to the top of the bracket.  
(drape length +/- clearance + bracket offset = Marked Bracket Height)

*Example: Drapery Length 100" + Floor Clearance 1/2" = 100 1/2"*  
*Bracket Adjustment 100 1/2" + Bracket Offset 1 3/4" = 102 1/4"*  
*Mark for top of bracket height 102 1/4"*

### Step 2: A1\*

Use rod width from end to end or hold up the rod to the window to determine equal distance past. Mark each end of the rod. Next, place bracket 3"- 4" inch in from the ends. Using the top of the bracket, place at marked height (Step 1). Then drill screws in the top and bottom holes and center holes of the bracket while keeping top of bracket aligned to the marked height.

Repeat process for all other brackets.



### Step 3: A2\*

Angle the rod so that the front of the rod is slightly higher. Then slide the rod on to the front hooks of the bracket. Once on the hooks push rod in and the back end up. Once you hear the click on each bracket you know the rod will be secured. Before letting go of the rod confirm all brackets are hooked to the top of the Utility Rod.

