

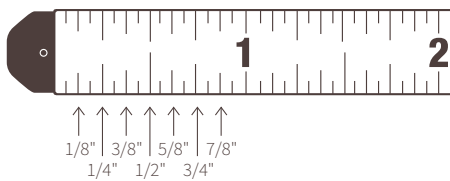
How To Measure

Cornice & Valances | Wall with Solid Cap

Measuring Considerations

When ordering for inside mount, the shade fabric will be slightly smaller in width. This will cause small light gaps on each side

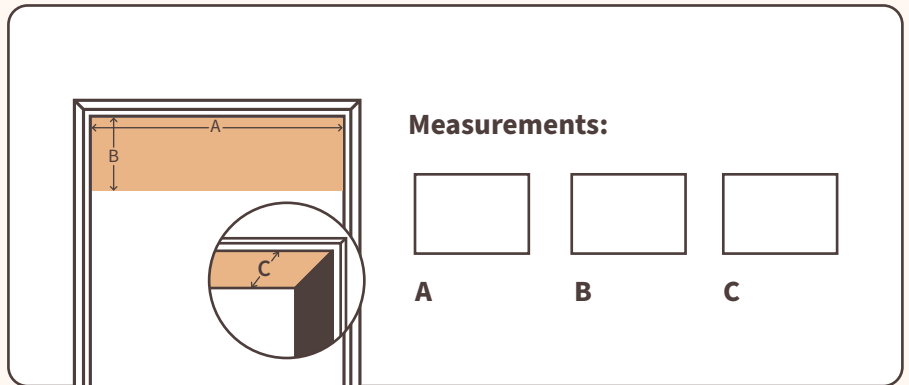
When taking measurements, round down to the nearest 1/8" of an inch each for the best fit.



Need Assistance?

Contact a City Shade Associate for help with Measuring
 (877)-224-8974
support@cityshadecompany.com
www.cityshadecompany.com

Inside Mount

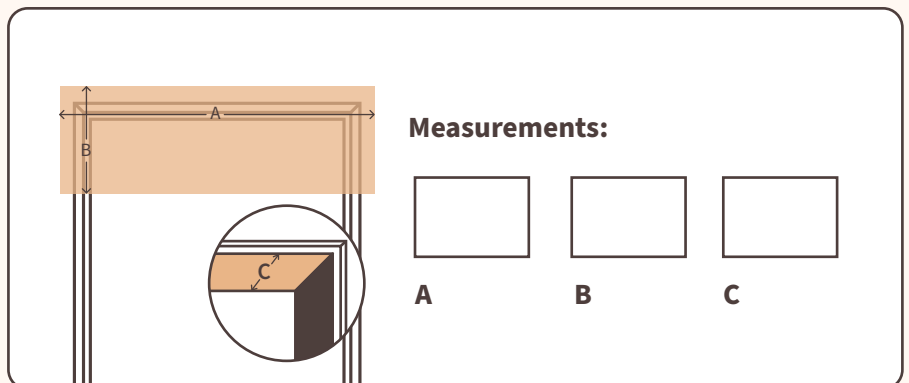


Step A: Measure the top inside width of window opening.

Step B: Measure the height desired for your window treatment.

Step C: Measure the depth desired for your window treatment.

OutSide Mount



Step A: Measure the desired width you would like to cover.

Step B: Measure the desired height you would like to cover.

Step C: Measure the desired depth you would like to have.

Reccomendations: Consider any obstacles you may need to clear when measuring the opening and add an additional 2-3" to the measurments for clearence. (Example: Windows with trim, top treatment hardware, etc.)

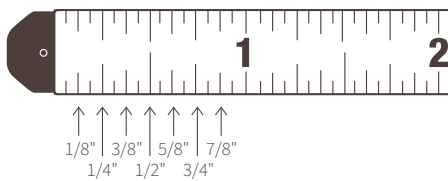
How To Measure

Cornice & Valances | Wall with Solid Cap

Measuring Considerations

When ordering for inside mount, the shade fabric will be slightly smaller in width. This will cause small light gaps on each side

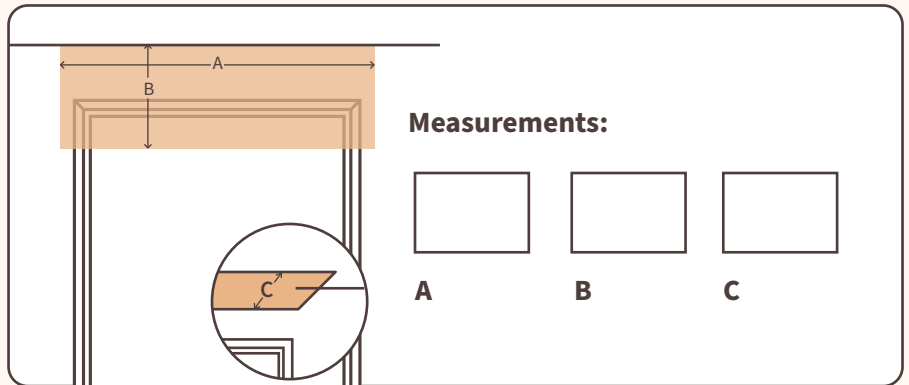
When taking measurements, round down to the nearest 1/8" of an inch each for the best fit.



Need Assistance?

Contact a City Shade Associate for help with Measuring
 (877)-224-8974
support@cityshadecompany.com
www.cityshadecompany.com

Ceiling Mount



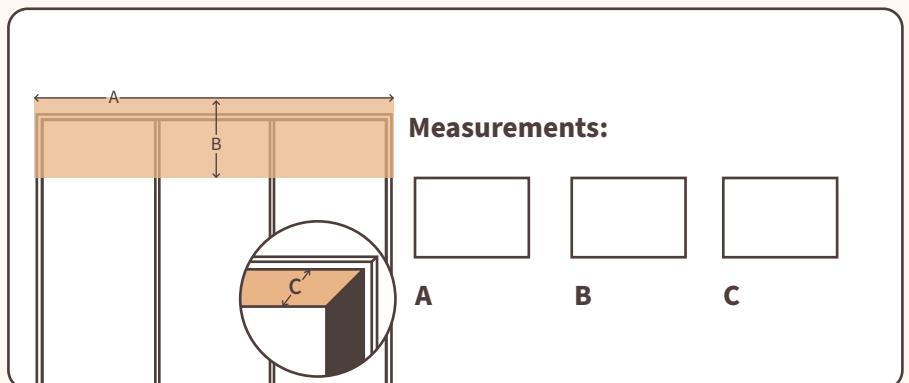
Step A: Measure the desired width you would like to cover.

Step B: Measure the desired height you would like to cover, from ceiling downward.

Step C: Measure the desired depth you would like to have.

Reccomendations: Consider any obstacles you may need to clear when measuring the opening and add an additional 2-3" to the measurments for clearence. *(Example: Windows with trim, top treatment hardware, etc.)*

Wall to Wall



Step A: Measure the width from wall to wall. Subtract 1" from total for toarence.

Step B: Measure the desired height you would like to cover.

Step C: Measure the desired depth you would like to have.

Reccomendations: Consider any obstacles you may need to clear when measuring the opening. *(Example: Windows with trim, top treatment hardware, etc.)*

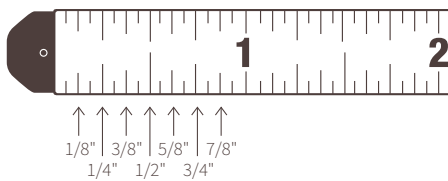
How To Measure

Cornice & Valances | Wall with Solid Cap

Measuring Considerations

When ordering for inside mount, the shade fabric will be slightly smaller in width. This will cause small light gaps on each side

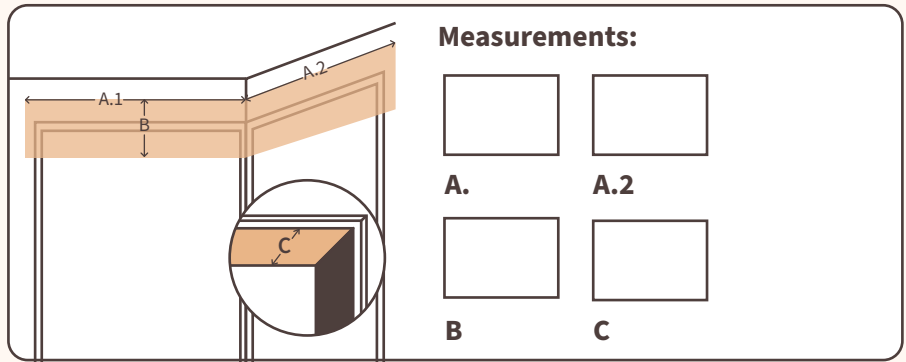
When taking measurements, round down to the nearest 1/8" of an inch each for the best fit.



Need Assistance?

Contact a City Shade Associate for help with Measuring
 (877)-224-8974
support@cityshadecompany.com
www.cityshadecompany.com

Corner Windows



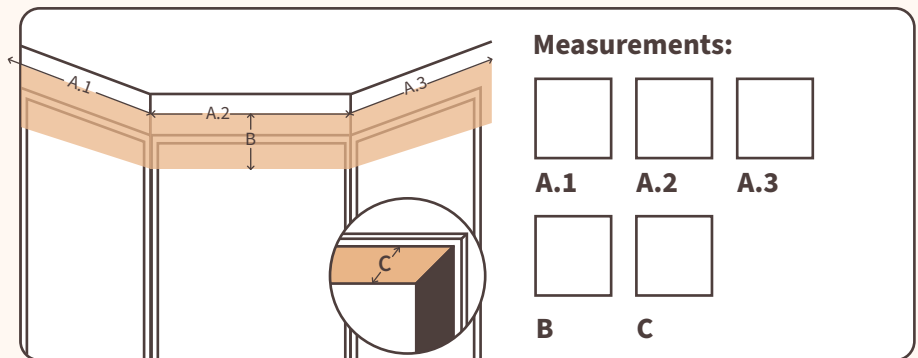
Step A: Measure the desired width from one end of opening to the corner. Then do the same to the other half of opening.

Step B: Measure the desired height you would like to cover.

Step C: Measure the desired depth you would like to have.

Reccomendations: When entering meaurments in the website, choose multiple Cornices/Valances. Enter the total width of the measurments taken. Choose "# of sections" Fill out left and right widths acordingly and choose 90° Miter.

Bay Windows



Step A: Measure the desired width from the left side of the window opening to the start of the first break in your bay window. Then measure the inside breaks. Then Measure from inside break to right desired width.

Step B: Measure the desired height you would like to cover.

Step C: Measure the desired depth you would like to have.

Reccomendations: When entering meaurments in the website, choose multiple Cornices/Valances. Enter the total width of the measurments taken. Choose "# of sections" Fill out left, center(s) and right widths acordingly and choose 135° Miter.