

# Pixie Air™ Series

WHISPER POWER

30" UNDER-CABINET RANGE HOOD

Models: UQS3001, UQG3002

# FOTILE

A BREATH OF FRESH ENGINEERING™

FOTILE's Pixie Air Range Hoods are sleek and ultra-slim that blend seamlessly into your kitchen with a clean low profile. Powerful Dual WhisPower motors and Captur-Shield technology remove smoke, grease, and odors effortlessly with very little background noise. Enjoy powerful quiet kitchen ventilation.

The Pixie Air incorporates CAT (CFM Adjustment Technology) that makes it efficient for Local CFM zoning laws. The Pixie Air keeps your family safe with FOTILE's Intelligent Air Management System that detects harmful organic gases and vents them out of the house. The Pixie Air is a perfect balance of Design, Safety, Performance, and Convenience. Enjoy a fresh clean kitchen with the Pixie Air Series.



## Features & Benefits



### 3.0 Captur-Shield Technology

- Covers 30" cooktop with 5 burners, nearly 6 Sq. Ft. of cooking area
- Creates a "Coanda Effect" ensuring ultra-fast powerful ventilation



### Dual WhisPower Motors

- Industry Leading Technology
- Equivalent to 850CFM, powerful and efficient ventilation
- Refreshes the whole kitchen in just minutes



### Intelligent Air Management System

- Monitors the Kitchen for harmful gases or noxious fumes
- The fan will automatically operate and extract harmful gases out of the house



### Innovative LED Design

- Lights up your cooktop surface so you can easily see the food you are cooking
- Bright Vision with avg. 600LUX



### Simple to Clean

- Detachable Captur-Shields with integrated oil cup
- Dishwasher safe or hand clean with soap and water



### Motion Gesture Activation

- Contact-less Touch Free Operation
- Simply Wave to the Pixie Air, and it will automatically Power On / Off with fan and lights

Actual color may vary. Design, specifications and color availability are subject to change without notice. Non-metric weights and measurements are approximate.

8365 Woodbine Ave unit 113, Markham, ON L3R 2P4 Tel: +19056048996 Web: ca.fotileglobal.com

FOTILE is a registered trademark of FOTILE Group

# Pixie Air™ Series

WHISPER POWER

30" UNDER-CABINET RANGE HOOD

Models: UQS3001, UQG3002

# FOTILE

A BREATH OF FRESH ENGINEERING™



MODEL	UQS3001	UQG3002
<b>Dimensions &amp; Weight</b>		
Product Size (WxHxD)(inch)	29 13/16 x 8 5/16 x 22 1/16	29 13/16 x 8 5/16 x 22 1/16
Duct Size (inch)	Vertical: Round 6" Horizontal: Rectangular 3 1/4" x 10"	Vertical: Round 6" Horizontal: Rectangular 3 1/4" x 10"
REC. Mounting Height (from cooktop to the bottom of cabinet)	32"-36"	32"-36"
Net Weight (lb)	52	52
Gross Weight (lb)	62	62
Packing-Box Size (WxDxH) (inch)	34 1/2 x 15 3/4 x 28 3/4	34 1/2 x 15 3/4 x 28 3/4
<b>Technical Specifications</b>		
Motor	Dual AC Motors	Dual AC Motors
Motor Power (W)	256W	260W
Power Supply	120V/60Hz	120V/60Hz
Amps	Max. 1.7A	Max. 2.3A
Power Plug	Included	Included
<b>Features and Functions</b>		
Material	Stainless Steel	Stainless Steel with Tempered-glass Panel
Max Static Pressure (Pa)	350Pa	400Pa
Speed Setting	3	4
Max. EQUIV.CFM	680CFM	850CFM
Min. Noise Level (dB)	37	37
Illumination (W)	3W x 2 (LED)(5500°K)(avg.600LUX)	3W x 2 (LED)(5500°K)(avg.600LUX)
Night Mode Lighting	N	Y
Oil Cup	One-piece (Dishwasher Safe)	One-piece (Dishwasher Safe)
Oil Filter	Simple to Clean	Simple to Clean
Captur-Shield	Professional 3.0 Gen	Professional 3.0 Gen
Control Type	Soft Touch Buttons	Micro Touch Control & Motion Activation
Delay Shutoff	N	5、15、30min
Boost	N	Y
CAT (CFM Adjustment Tech)	Y	Y
Intelligent Air Management	Y	Y
Oil Filtration Rate	94%	94%
Odor Reduction Rate	99%	99%
<b>Warranty</b>		
2 YEARS LABOR , 5 YEARS PARTS (LIFETIME MOTORS)		

# Pixie Air™ Series

WHISPER POWER

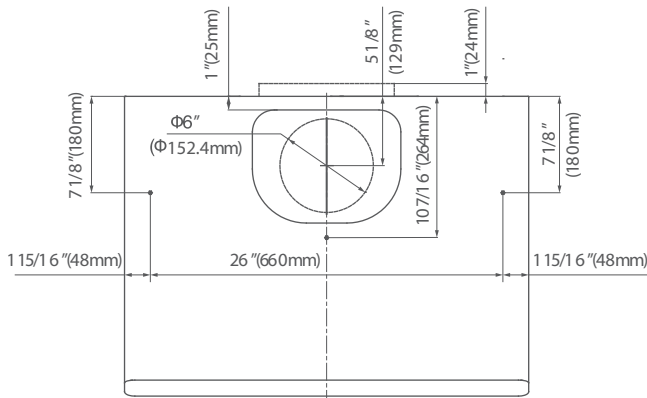
30" UNDER-CABINET RANGE HOOD

Models: UQS3001, UQG3002

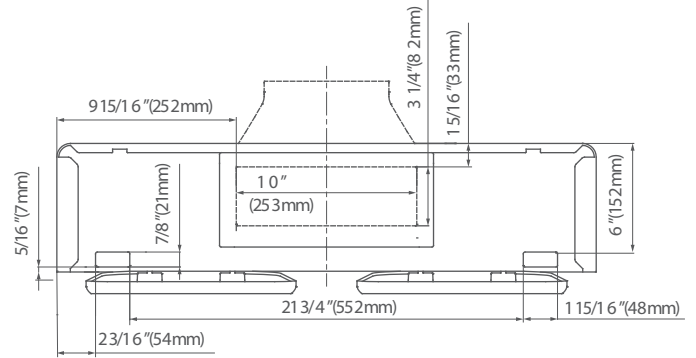
# FOTILE

A BREATH OF FRESH ENGINEERING™

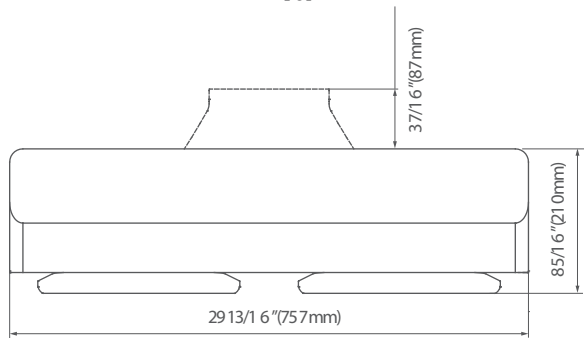
## Product Dimensions



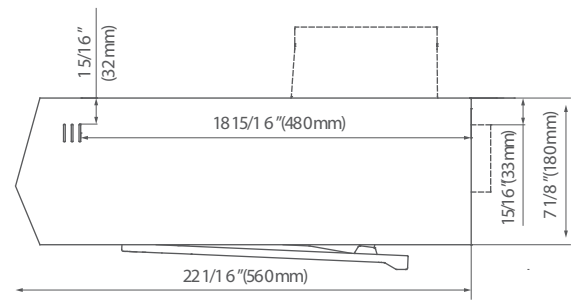
TOP



BACK

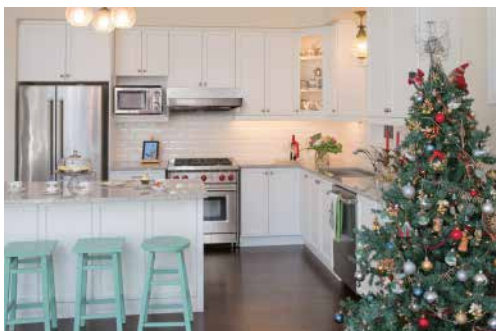


SIDE



FRONT

## Kitchen Design



UQG3002



UQG3002



UQS3001



UQS3001