

# FOTILE

## Happiness Starts in Your Kitchen

Though no one can provide a single shared definition of happiness, most homes do share a similar "feeling of happiness"  
—there is warmth, familiar tastes and smells, companionship, sharing, the flow of emotions.  
The kitchen, most importantly, is the source of family happiness.  
For 23 years, FOTILE has put the "For the happiness of hundreds of millions of families" first and foremost in its efforts.

We strive to find a better solution to the problem of cooking grease and fumes, thus opening up the kitchen and letting it return from the farthest corner of the home to its rightful place at the center of the family.  
Time in the kitchen is no longer a lonely chore. It is now filled with the joy of seeing each other, working side-by-side and moments of togetherness.  
Our continuous improvements in technology and quality allow more people to experience the joy of cooking and savor life's real beauty.  
From nutrition to flavor, unfailingly provide the meticulous care your family deserves.  
Fill you children's memories of growing up with familiar flavors, the warmth of companionship and peace of mind.  
Make the kitchen cleaner, keep your family closer, and protect your and your family's health.

Enjoy your happy kitchen and leave the rest to us.  
From 1996 to 2019, from China to the world, in more than 30 countries and for more than 17 million families,  
FOTILE makes "happiness" its mission and is determined to create happiness starting in the kitchen for people all over the world.



FOTILE Website



FOTILE Wechat

# FOTILE

## High-tech Aesthetics Artful Living

The world's first kitchen island range hood equipped with auto-operation technology

FOTILE Artist Series EA06C





## Happiness Starts in Your Kitchen

- Sells well in more than 30 countries around the world.  
17,000+ families choose FOTILE every day
- 4,200+ patents for kitchen appliances\*  
leading technological innovation in the kitchen industry
- Dusseldorf, Germany; Osaka, Japan; Ningbo, China;  
three global centers for technological innovation
- Revise international standards\* for extractor hoods

\* The patents are mainly in China.

\* IEC 60335-2-31: Household and Similar Electrical Appliances-Safety-Part 2-31: Particular Requirements for Range Hoods and Other Cooking Fume Extractors.



## Fully appreciate prosperity, enjoy pure beauty

You always have a place at the table in the city's refined circles and pass through countless resplendent halls. Yet returning home from under the spotlight, you yearn even more for a room full of sunlight trickling in through a French window.

The FOTILE kitchen island multi-function range hood adds intelligence and convenience to every joyous gathering with loved ones. Here, you can fulfill the blueprint of your ideal life, accumulating years of tranquility. Savour the splendour and enjoy life in even finer detail-yet the multitudes of finery cannot compare to gathering around the table with family, just as infinite luxury cannot compare to the indulgence of relaxation and tenderness.

## The world's first kitchen island range hood equipped with auto-operation technology

### Automatic operation: the art of deduction

Why should hands designed for creation be tied up with the operation of controls? When indulging in the joy of the culinary arts, you need not be distracted by ever-varying fumes.

The world's first auto-operating range hood is a FOTILE innovation. Using Super-eye to responsively perceive variations in fumes at all times, airflow adjusts in real time. The result is powerful, quiet and carefree control.

## Moments of togetherness Create charming focal points at will

Adjust the ambient lighting to your favorite colour,  
the beauty and warmth of gathering begins.  
The air seems filled with the sweet fragrance of joy.  
360° kitchen island design features controls on both sides.  
Partake in delicious food and enjoy even more the delight of  
cooking together with your family. Let your kitchen bear witness  
to every gathering overflowing with hearty laughter.

## Diverse light and shadow illuminates a romantic atmosphere

The dual-sided crystal panel and translucent glass body are made with top-quality  
materials and craftsmanship. The effect is a refreshing and eye-catching bright  
appearance. Carefully arranged ambient lights shine through the crystal panel,  
creating four atmospheric styles: Candlelight, Tranquil, Simple & Elegant, and Lights  
& Shadows.

## Dual-side controls for even more beautiful possibilities

Save a countertop-worth of distance and avoid the trouble of going back around to  
the other side. Each side is awaiting your glorious presence.

## Unified “Capture-Suction-Extraction” removes fumes, leaving only your hospitality

Surging power and heartfelt caring intermingle here:

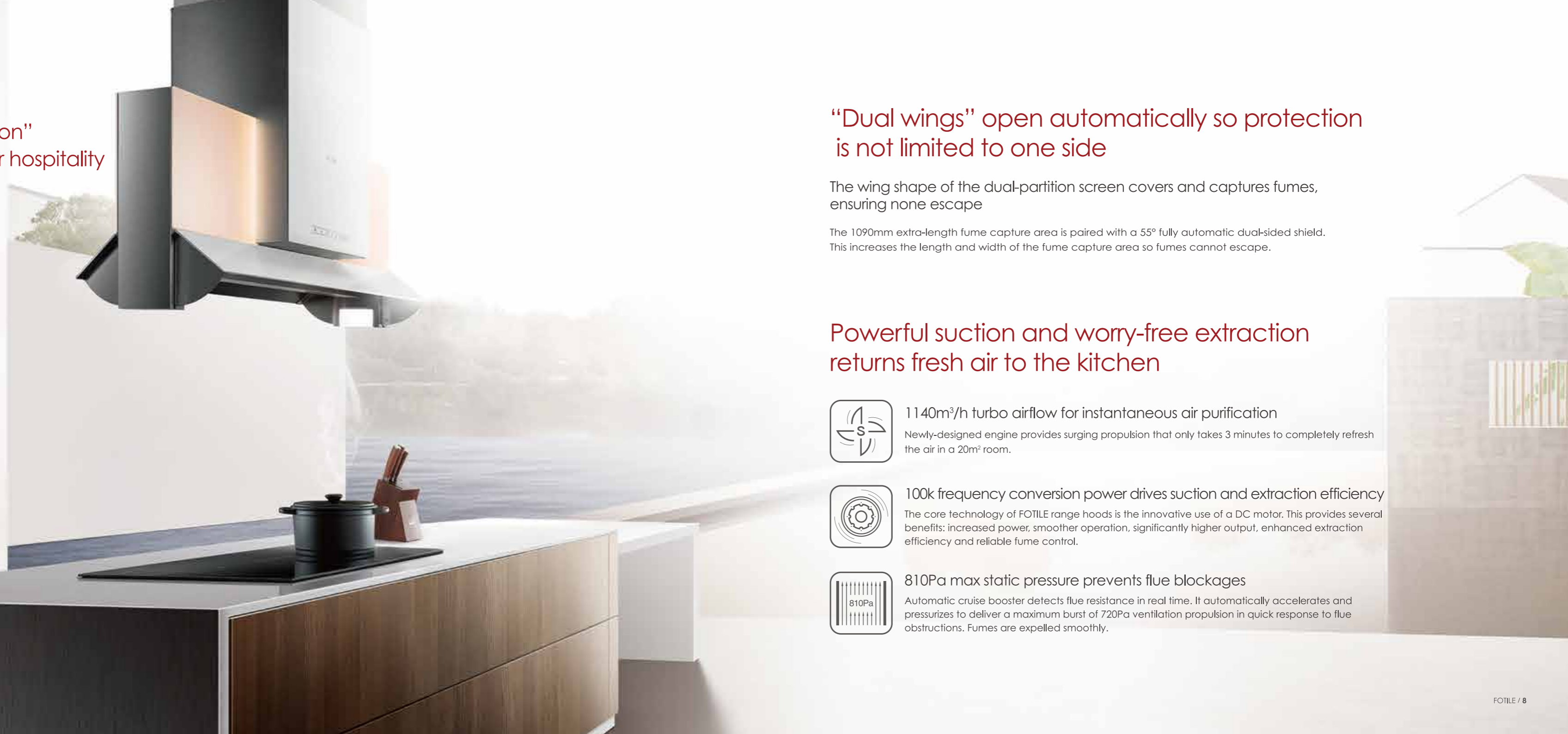
A powerful core to take care of stir-fry fumes,

A smooth core to create enduring protection,

A gentle core to envelop the house in tranquility.

It preserves the freshness and quietness of the kitchen to allow for  
even more gatherings,

so you can grow closer to each other with each warm exchange.



## “Dual wings” open automatically so protection is not limited to one side

The wing shape of the dual-partition screen covers and captures fumes,  
ensuring none escape

The 1090mm extra-length fume capture area is paired with a 55° fully automatic dual-sided shield.  
This increases the length and width of the fume capture area so fumes cannot escape.

## Powerful suction and worry-free extraction returns fresh air to the kitchen



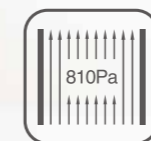
1140m<sup>3</sup>/h turbo airflow for instantaneous air purification

Newly-designed engine provides surging propulsion that only takes 3 minutes to completely refresh  
the air in a 20m<sup>2</sup> room.



100k frequency conversion power drives suction and extraction efficiency

The core technology of FOTILE range hoods is the innovative use of a DC motor. This provides several  
benefits: increased power, smoother operation, significantly higher output, enhanced extraction  
efficiency and reliable fume control.



810Pa max static pressure prevents flue blockages

Automatic cruise booster detects flue resistance in real time. It automatically accelerates and  
pressurizes to deliver a maximum burst of 720Pa ventilation propulsion in quick response to flue  
obstructions. Fumes are expelled smoothly.

## Gentle operation Caring for those tender moments

On perfect moonlit nights,  
Beside the gentle radiance of the spotless island range hood,  
You can listen to the rustle of leaves outside the window and even hear  
each other's breath and heartbeat.  
Savour your handmade dinner together under candlelight,  
immersed in this moment of tranquil romance between two people.



## 41 dB ultra-quiet operation keeps you far away from disturbances

### DC frequency conversion airflow sounds soft and natural

The DC motor functions remarkably and operates smoothly. Smooth shifting between modes provides stable operation with no perceivable noise.

### Bionic impeller<sup>1</sup> keeps airflow smooth and silent

We created the bionic impeller by studying the natural world's secret weapon of silence. With design inspired by the feather pattern of falcons, it effectively enhances the force of air control. Operation is stabler and quieter as a result.

### Nautilus-shaped intake chamber<sup>2</sup> reduces obstructions to fume extraction

The patented bionic nautilus-shaped intake chamber utilizes a logarithmic curved air duct design. The effect is reduced air resistance for unhindered fume extraction and powerful suction.

### Quiet Flow arc design<sup>3</sup> so fumes flow smoothly

The unhindered split flow of fumes reduces air disturbance to effectively reduce noise.

### Bivariate R active noise-cancelling volute tongue<sup>4</sup> for remarkable noise control

Uses active noise-cancelling technology to cancel out the sound of operation while also preventing fume backflow.

### 360° wraparound micropore technology makes air intake smooth and quiet<sup>5</sup>

The microporous sound-absorbing channel maintains the ratio of air flow in and out, greatly reducing noise.

① Patent ZL201320779032.7

② Patent ZL01132056.7

③ Patent ZL200710069947.8

④ Patent ZL201310742965.3

⑤ Patent ZL201621469574.4

## Time is priceless Cherish every moment of leisure

Let your spirit rest and share an afternoon with yourself, one where you can read and think. There is even a worry-free convenient cleaning mode, so your alone time is more carefree and enjoyable.

## Effortless cleaning so you can pass the time with elegance

Stand-alone cleaning mode for cleanup without worries whenever you need it

Unique "one-touch cleaning mode" lets you freely wipe the front panel without concern of accidentally turning on the fan.

Flat glass front panel restores the kitchen to spotless white

The range hood body is fabricated from "Crystal Prince" super-white glass. It only takes a simple wipe to restore its luxurious translucent exterior.

Easy-to-remove long grease cup saves time for the things you enjoy

The translucent extra-large grease cup makes its contents visible. It is easy to disassemble, reducing the burden of cleaning.

The dual-layer filter is simple to remove and rise. An enjoyable clean in the time it takes to raise your hands.

Triple-stage design for convenient disassembly, cleaning and replacement.



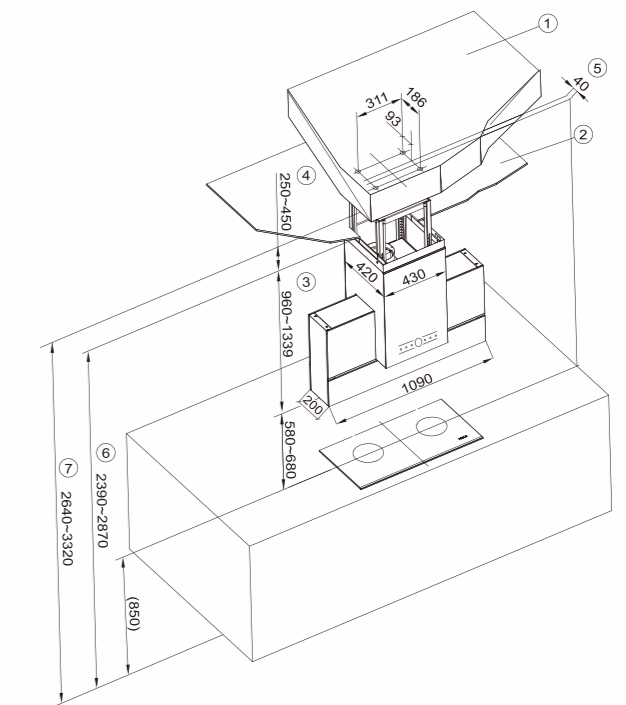
## Air quality manager keeps things fresh

In every moment spent with your family, pleasant air will surround you. Talk and laugh merrily in this joyful atmosphere, leaving each other with the loveliest memories. Real-time monitoring of kitchen air quality makes certain that harmful fumes, cigarette smoke, formaldehyde or carbon monoxide do not exceed the prescribed limit. Responsive suction keeps the air in the home always fresh and clean.

Model	EA06C
Power Supply	220~/50Hz
Rated Input Power Of The Main Motor(W)	298
Product Size(mm) W*D*H	1090*420* ( 1210-1770 )
Max Airflow(m <sup>3</sup> /h)(IEC61591)	1140
Max.static Pressure(Pa)	810
Noise(dB)(IEC60704)	50
Odor Reduction Rate(%)	97
Speed	3+T
Lighting Power	5W*2 / 2-stage
Control Panel	Touch Control
Smart Smoke Detection	Y
Intelligent Air Management	Y
Auto Turbo	Y
Delay Off(min)	2min
Lock Screen	Y
Cleaning Mode	Y
4-stage Ambient Lights	Y

### Measurement and calculation before installation

For accurate measurement and setting-out prior to installation, please refer to the following installation diagram(all date are in mm)



- ① Installation area: roof for the fixed mounting rack;
- ② Ceiling board;
- ③ Adjustable height range from range hood to the ceiling board;
- ④ Adjustable range allowed between the ceiling board and the installation roof;
- ⑤ Deviation distance among the center lines for the hob burner, the range hood and the roof mounting hole;
- ⑥ Height range from the ground to the ceiling board that is adaptable to the range hood;
- ⑦ Height range from the ground to the roof that is adaptable to the range hood.