

# Built-in Combi Oven

# FOTILE



## Steam

The unique design of heat-collecting ring can heat up fully and efficiently.



## Bake

The high-speed fan can stabilize air circulation, making the heating uniform.



## Dehydrate

The high-speed fan with wide-area heating tube, controlling the humidity intelligently in the process.



## Air-Fry

Equipped with intelligent humidity-control structure and high-speed fan, can quickly move away the water on the surface of food.

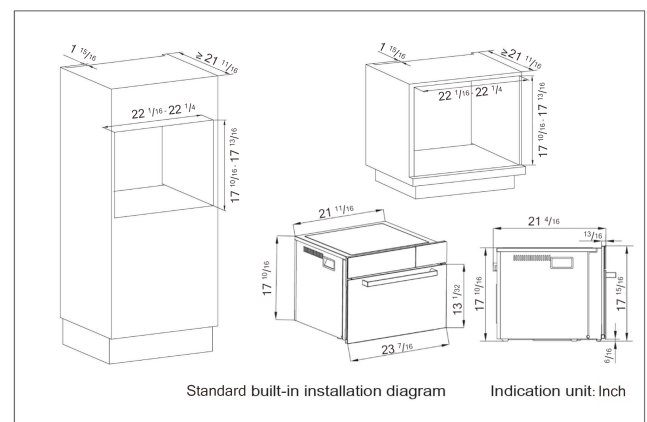
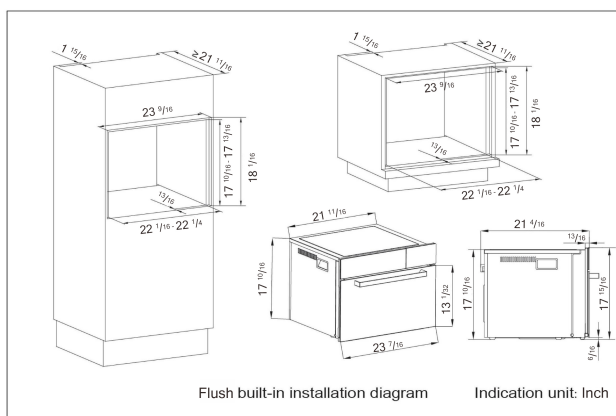


# Built-in Combi Oven

Integrates 4 cooking functions of steaming, baking, dehydrating and air-frying into one



Model	HZK- TS1
Certification	CSA
Product Dimensions (WxHxD)(inch)	23 7/16 x 17 15/16 x 20 7/16
Built-in Dimensions (WxHxD)(inch)	23 9/16 x 18 1/16 x 21 10/16
Operation	Touch
Capacity (cu.ft.)	1.48
Power (W)	3660
No. of Heating Element	8
Temperature range (°F)	86-446
Warranty	one-year full warranty on labor, three-year limited warranty of parts.



Toll Free: 844-315-0315  
 Website: [ca.fotileglobal.ca](http://ca.fotileglobal.ca)  
 Email: [info@fotileca.com](mailto:info@fotileca.com)



WeChat Customer Service



WeChat Official Account