

# Slant Vent Series Range Hoods

## JQG9001 Spec Sheet

**FOTILE**

A BREATH OF FRESH ENGINEERING®

FOTILE JQG9001 36" Slant Vent Range Hood is powerful and sleek looking. With versatile mounting options whether under cabinet or wall mount, this powerful certified Range Hood offers superior smoke, grease, and odor extraction due to its unique design, close proximity to the cooktop, and a 90 degree angle automatic open Capture Shield. Best of all, this powerful range hood not only offers excellent venting performance, it's exceptionally quiet so you can have a casual conversation as you are preparing a meal. Available in Onyx Black Tempered Glass.



### Key Features



90° Automatic Open Capture Shield to Prevent Smoke From Spreading



Slant Vent Design Ensures Close Proximity to Cooking Surface and Smoke



Dual AC Centrifugal Motors for Exhaustive and Strong Ventilation



98% Odor Reduction Rate & 95% Grease Separation Rate

### Secondary Features

- Extra Wide Smoke Inlet  
Covers 7.2 ft<sup>2</sup> of Cooking Area (5-6 Burners)
- Auto Delay Shutoff  
Extracts Lingering Odors After Cooking
- Powerful LED Light  
Lights Up Your Cooktop
- Large Oil Collection Cup  
Detachable and Easy to Clean

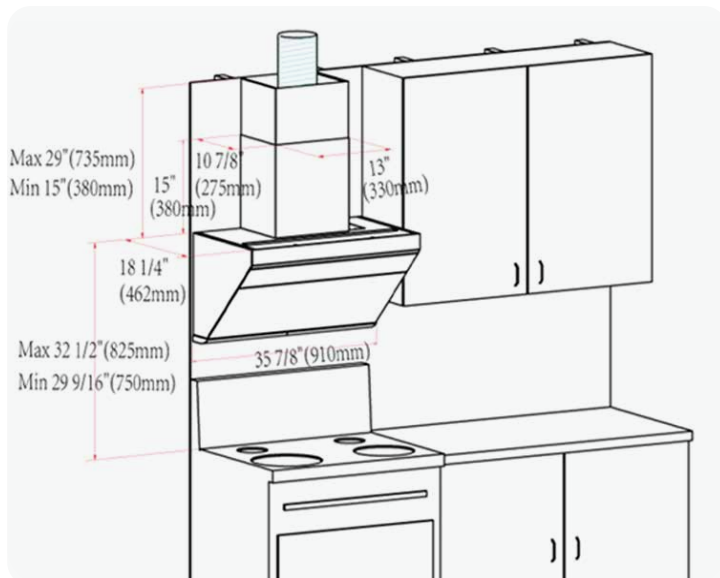
# Slant Vent Series Range Hoods JQG9001 Spec Sheet

**FOTILE**  
A BREATH OF FRESH ENGINEERING®

## Specifications Table

Model	JQG9001
Certification	ETL, HVI
Width(inch)	35 7/8
Installation	Under Cabinet/Wall Mount(Optional Decorative Cover Required)
Max. EQUIV.CFM	850
Max Static Pressure(Pa)	400
Power Supply(V/Hz)	120/60
Speed Setting	3
Min. Noise Level(dB)	39
Illumination(W)	3W × 2 (LED)
Motor	Dual AC Motors
Operation Type	Touch
Delay Shutoff	2min
Screen Lock	Y
Grease Filtration Rate	95%
Odor Reduction Rate	98%
Warranty	Labor: 1 Years Parts: 3 Years(Limited) Motors: Lifetime Limited Warranty

## Installation Dimensions



## Installation Examples

