

Slant Vent Series Range Hoods

JQG7505 Spec Sheet

FOTILE

A BREATH OF FRESH ENGINEERING®

FOTILE JQG7505 30" Slant Vent Range Hood is both powerful and sleek looking. With versatile mounting options whether under cabinet or wall mount, this powerful certified Range Hood offers superior smoke, grease, and odor extraction due to its unique design, dual DC centrifugal motors, and a 90 degree angle automatic open Capture Shield. The JQG7505 not only offers excellent venting performance, it is also exceptionally quiet so you can have a casual conversation as you are preparing a meal. Best of all, you can operate this range hood using touch free motion gesture control for easy



Key Features



90° Automatic Open Capture Shield to Prevent Smoke From Spreading



Dual DC Motors for Smoother and Stronger Ventilation



Stir-fry Mode to Provide Instant Powerful Extraction Power



Motion Detection for Hands Free Operation

Secondary Features

- Extra Wide Smoke Inlet
Covers 6 ft² of Cooking Area (5-6 Burners)
- Auto Delay Shutoff
Extracts Lingering Odors After Cooking
- Powerful LED Light
Lights Up Your Cooktop
- Large Oil Collection Cup
Detachable and Easy to Clean

Slant Vent Series Range Hoods JQG7505 Spec Sheet

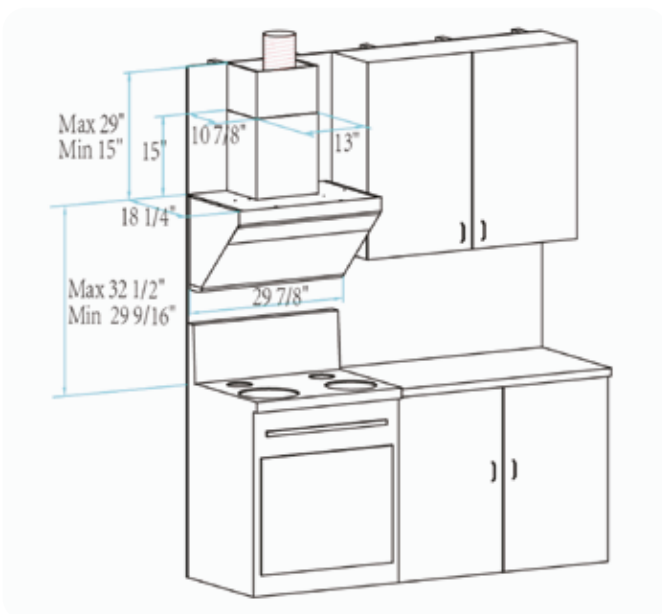
FOTILE

A BREATH OF FRESH ENGINEERING®

Specifications Table

Model	JQG7505
Certification	ETL, HVI
Width(inch)	29 7/8
Installation	Under Cabinet/Wall Mount(Optional Decorative Cover Required)
Max. EQUIV.CFM	1000
Max Static Pressure(Pa)	540
Power Supply(V/Hz)	120/60
Speed Setting	4
Min. Noise Level(dB)	38
Illumination(W)	3W × 2 (LED)
Motor	Dual DC Motors
Operation Type	Touch + Motion
Delay Shutoff	2min
Screen Lock	Y
Grease Filtration Rate	95%
Odor Reduction Rate	98%
Warranty	Labor: 1 Years Parts: 3 Years(Limited) Motors: Lifetime Limited Warranty

Installation Dimensions



Installation Examples

