

FOTILE

INSTALLATION MANUAL

Read all instructions before
using this appliance

Gas Cooktop

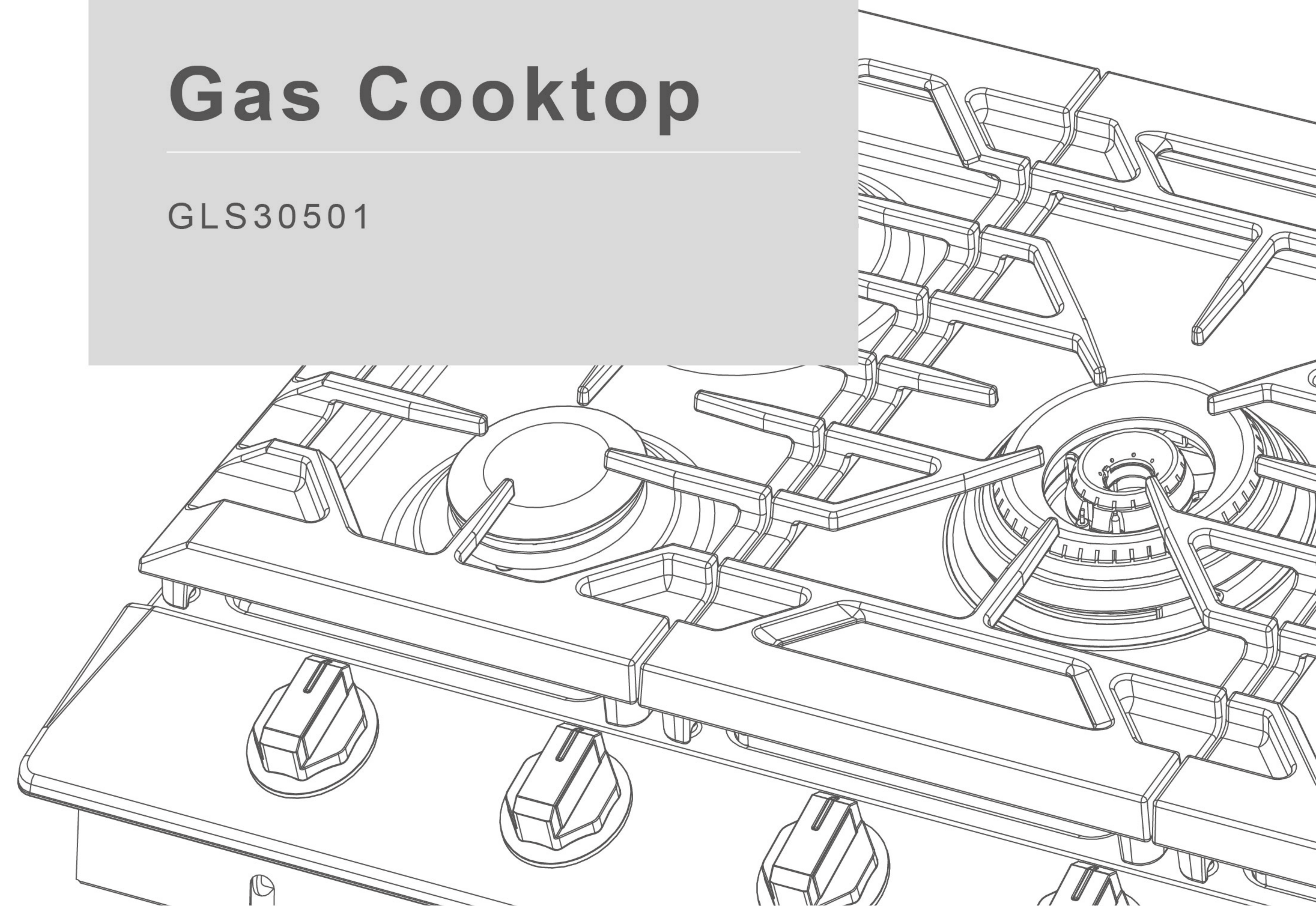
GLS30501

Every effort has been made to ensure that the information given in this manual is correct at the time of printing. However, due to the continuous product improvement, FOTILE reserves the right to make changes to the products and technical data without prior notice.

Manufacture: Ningbo Fotile Kitchenware Co.,Ltd.
No.218 Binhai 2 Road, Hangzhou Bay New Distret, Cixi, Zhejiang, China

Fotile Canada
+1 844-315-0315
8365 Woodbine ave, Unit 113
Markham, ON, L3R 2P4
ca.fotileglobal.com
info@fotileca.com

1102002504910/20200805



Contents

Important Safety Information - - - - -	2
Packing List And Tools - - - - -	6
Before You Begin - - - - -	7
Product Dimensions - - - - -	7
Clearance Dimensions - - - - -	8
Installation Requirements - - - - -	9
Installation Instructions - - - - -	11
Installing The Cooktop - - - - -	11
Connecting The Cooktop To Gas Supply - - - - -	12
Electrical Connections - - - - -	13
Burner Components And Grate Installation - - - - -	13
Check The Ignition And Flame Quality - - - - -	16
LP Conversion Instructions - - - - -	18

Important safety information

Read all instructions before using this appliance
Save this manual. Please do not discard.

Your safety and the safety of others are very important

We have provided many important safety messages in this manual and on your appliance. Always read and obey all safety messages.



This is the safety alerts symbol. This symbol alerts you to potential hazards that can kill or hurt you and others. All safety messages will follow the safety alerts symbol and either the word "DANGER" or "WARNING."

These words mean:



DANGER

You can be killed or seriously injured if you do not immediately follow instructions.



WARNING

You can be killed or seriously injured if you do not follow instructions.

All safety messages will tell you what the potential hazard is, tell you how to reduce the chance of injury, and tell you what can happen if the instructions are not followed.



WARNING

If the information in this manual is not followed exactly, a fire or explosion may result causing property damage, personal injury or death.

–Do not store or use gasoline or other flammable vapors and liquids in the vicinity of this or any other appliance.

– WHAT TO DO IF YOU SMELL GAS:

- Do not try to light any appliance.
- Do not touch any electrical switch.
- Do not use any phone in your building.
- Immediately call your gas supplier from a neighbor's phone. Follow the gas supplier's instructions.
- If you cannot reach your gas supplier, call the fire department.

– Installation and service must be performed by a qualified installer, service agency or the gas supplier.

Important safety information

WARNING

Gas leaks cannot always be detected by smell.
Gas suppliers recommend that you use a gas detector approved by UL or CSA.
For more information, contact your gas supplier.

WARNING

Never operate the top surface cooking section of this appliance unattended.

- Failure to follow this warning statement could result in fire, explosion, or burn hazard that could cause property damage, personal injury, or death.
- If a fire should occur, keep away from the appliance and immediately call your fire department. DO NOT attempt to extinguish an oil/grease fire with water.

IMPORTANT

Do not install a ventilation system that blows air downward toward this gas cooking appliance. This type of ventilation system may cause ignition and combustion problems with this gas cooking appliance resulting in personal injury or unintended operation.

STATE OF CALIFORNIA PROPOSITION 65 WARNINGS

WARNING

This product contains one or more chemicals known to the State of California to cause cancer, birth defects or other reproductive harm.

Gas appliances can cause low-level exposure to some of these substances, including benzene, carbon monoxide, formaldehyde and soot, caused primarily by incomplete combustion of natural gas or propane fuels.

Exposure to these substances can be minimized by opening a window or using a ventilation fan or hood.

STATE OF MASSACHUSETTS

In the State of Massachusetts, the following installation instructions apply:

- Installations and repairs must be performed by a qualified or licensed contractor, plumber, or gasfitter qualified or licensed by the State of Massachusetts.
- If using a ball valve, it shall be a T-handle type.
- A flexible gas connector, when used, must not exceed 3 feet.

Important safety information

INSTALLATION PRECAUTIONS

WARNING



Electrical shock hazard
Failure to do so could result in electrical shock or death.



Cut hazard
Take care-panel edges are sharp.
Failure to use caution could result in injury or cuts .

■ Important safety precautions

- Particular attention shall be given to the relevant requirements regarding ventilation.
- Please make this information available to the person installing the appliance as it could reduce your installation costs.
- This appliance is to be installed and connected to gas supply only by an authorised person.
- Installation must comply with your local building and local gas authority codes and electricity regulations.
- Failure to install the appliance correctly could invalidate any warranty or liability claims.
- This gas appliance is suitable for connection to natural gas and can convert to LPG only. If in doubt, refer to the local gas network operator or gas supplier to confirm gas type at installation site.

■ Before you install the appliance, please make sure that

- The local distribution conditions (nature of gas and pressure) and the adjustment of the appliance are compatible. For adjustment conditions for this appliance check data plate for relevant gas information.
- The supply connection point (gas shut-valve) is accessible after installation. The regulator supplied with Natural gas appliances must be fitted to the appliance inlet.

■ When you install the appliance

- We do not recommend the use of a down-draught extractor fan with the appliance, as it may distort the flame pattern, causing uneven heating and reduced cooking performance.
- Where this appliance is installed in marine craft or in caravans, it shall not be used as a space heater. Only models fitted with the flame failure device can be fitted in marine craft. No combustible material or products should be placed on this appliance at any time.
- Do not spray aerosols in the vicinity of this appliance while it is in operation.
- If, after following the instructions given, the appliance cannot be adjusted to perform correctly, please refer to the Service & Warranty book for warranty details and your nearest Authorised Service Centre, or contact FOTILE Customer Care at serviceusa@fotile.com or at 1-888-315-0366.

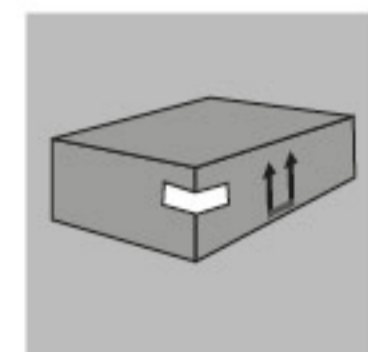
Important safety information

PACKAGE DISPOSAL INSTRUCTIONS - ENVIRONMENT POLICY

Our products are only packaged using non-pollutant, environment-friendly, recyclable materials. We urge you to cooperate by disposing of the packaging properly. Contact your local dealer or the competent local organizations for the addresses of collection, recycling and disposal facilities.

Never leave all or part of the packaging lying around. Packaging parts, and especially plastic bags, may represent a suffocation hazard for children.

Your old appliance must also be disposed of properly. Important: deliver the appliance to your local organization authorized to collect scrapped appliances. Proper disposal allows the intelligent recovery of valuable materials.



Never leave packaging residues unattended in the house. Separate waste packaging materials by type and consign them to the nearest separate disposal centre.

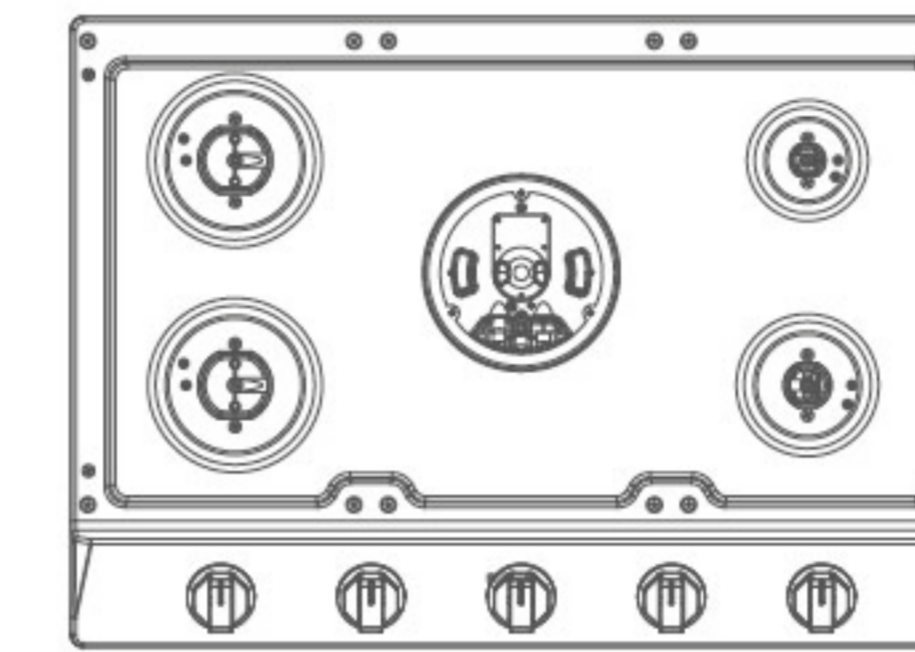


The inside of the appliance should be cleaned to remove all manufacturing residues.

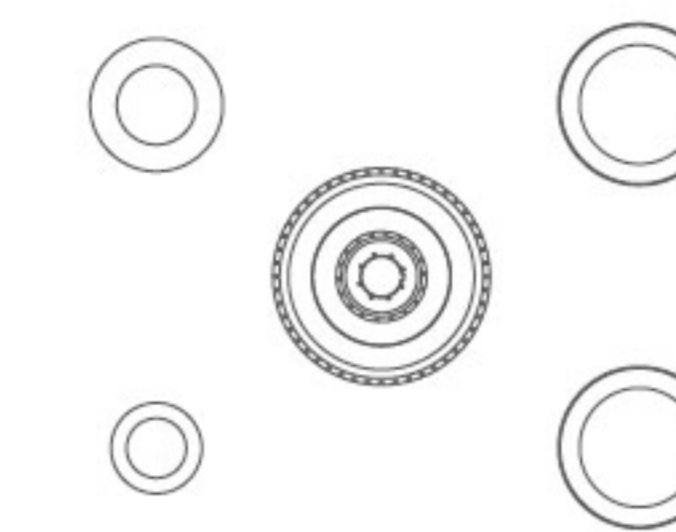
Packing List And Tools

WHAT'S INCLUDED

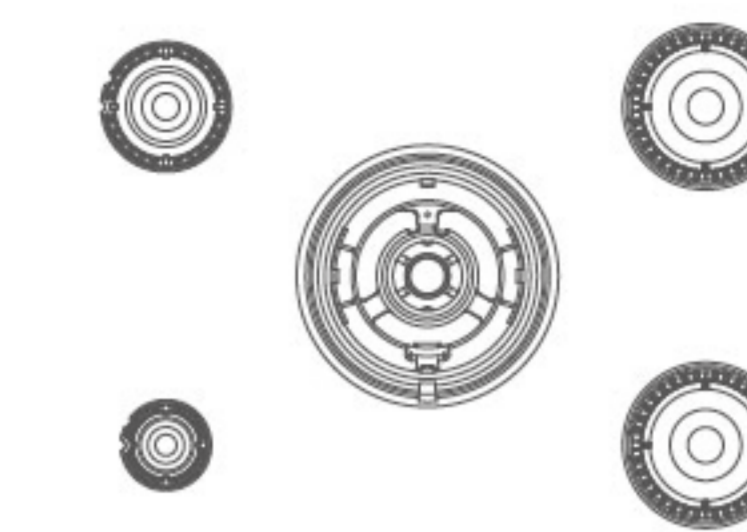
■ Packing list and tools



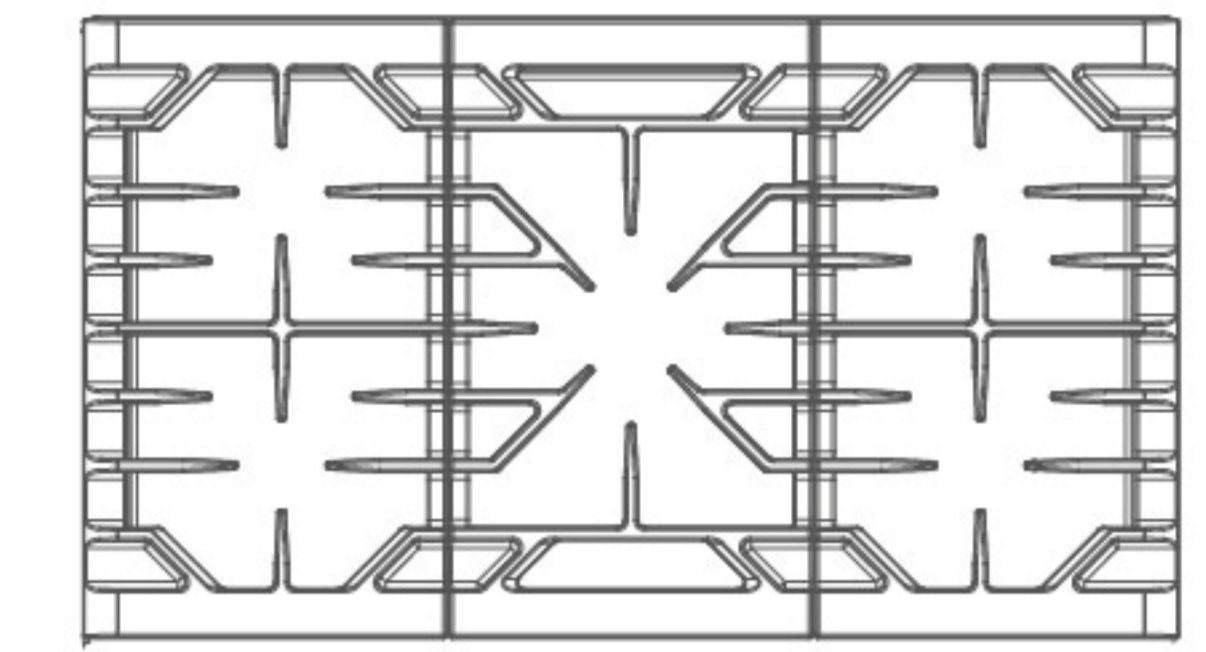
Cooktop (1)



Burner Caps (6)



Burner Heads (5)



Grates (3)



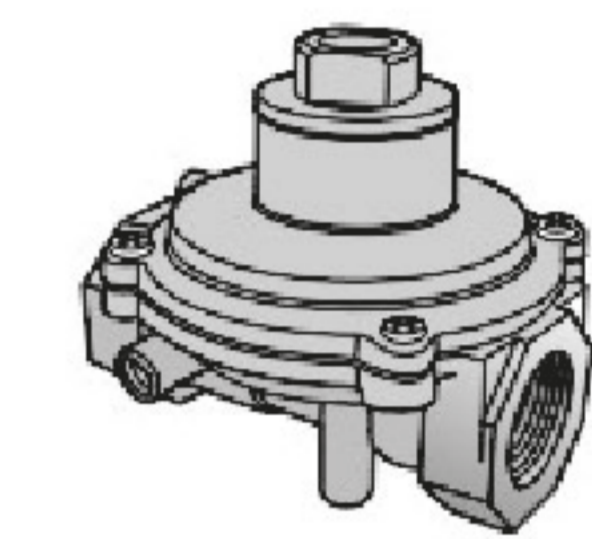
User Manual (1)



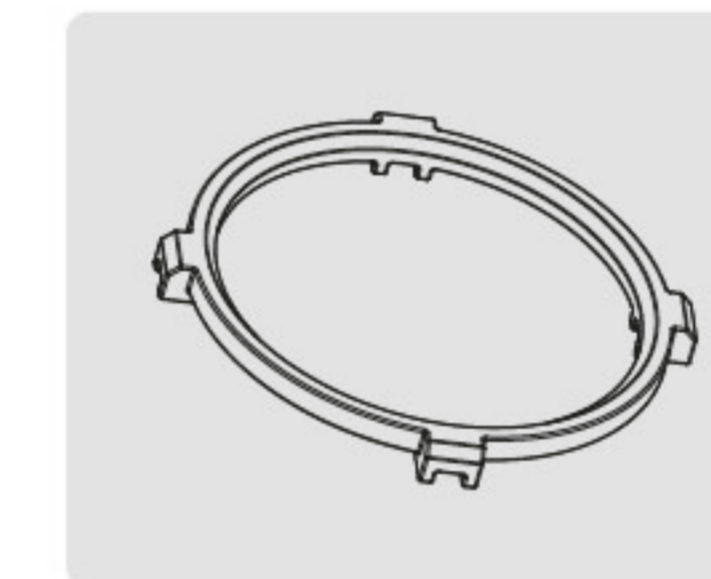
Installation Manual (1)



Warranty Card (1)



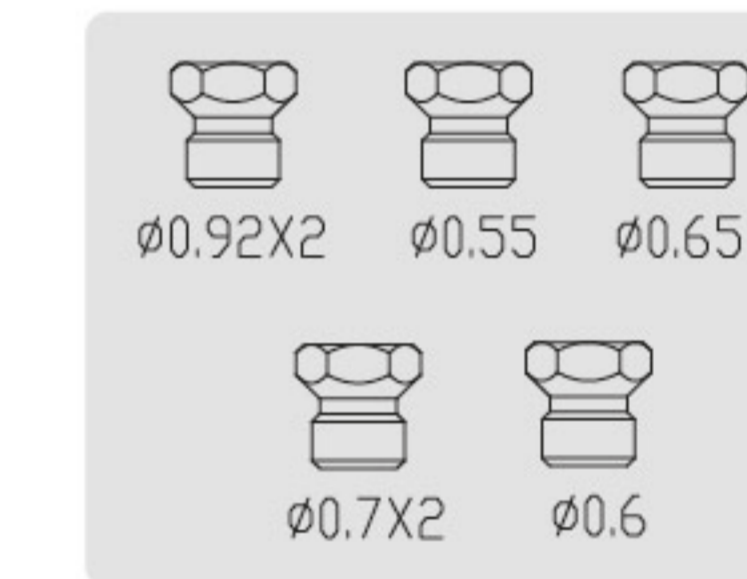
Pressure regulator (1)



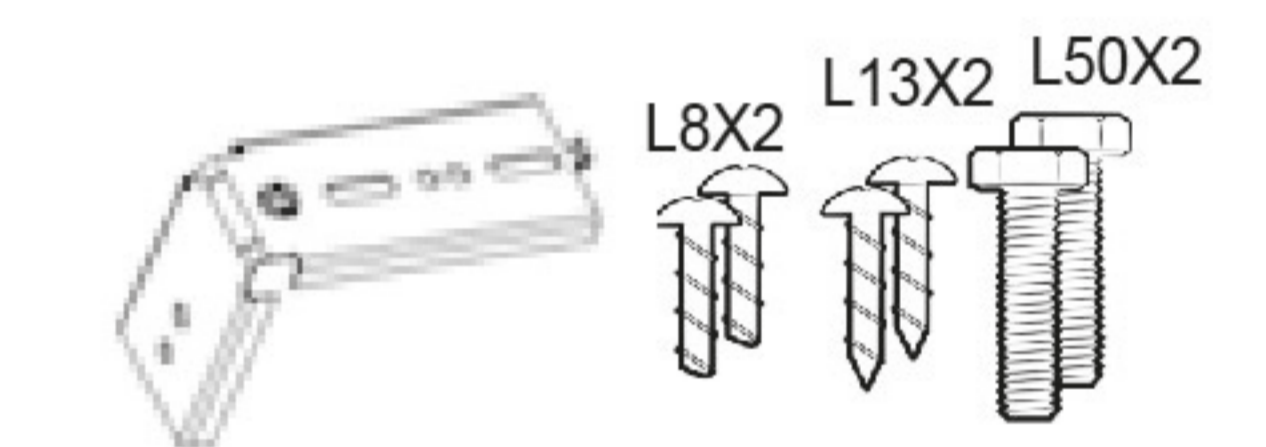
Wok Grate (1)



Cover Sheet (1)



Nozzles for LPG (7)



Panel mounting brackets (2)
Screws (6)

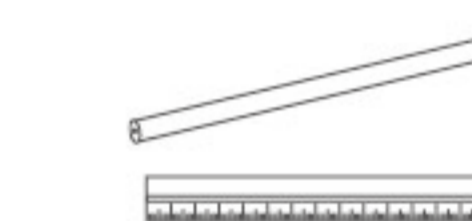
■ Tools You Will Need



Phillips screwdriver



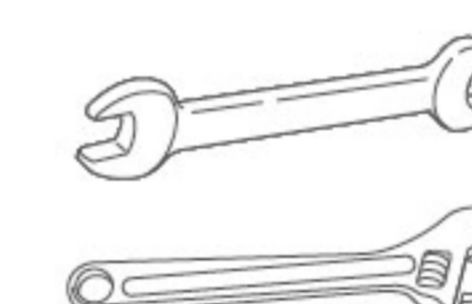
3/16" Flat-blade screwdriver



Pencil and ruler



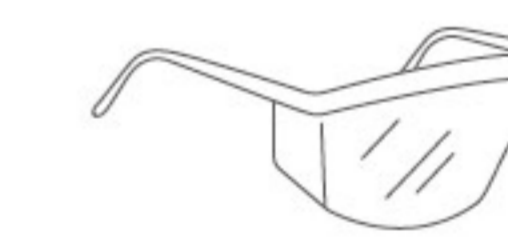
Saber Saw



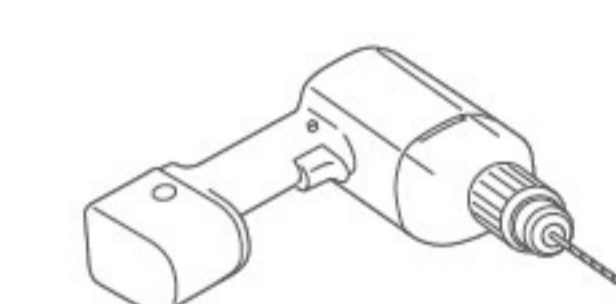
Open-end or adjustable wrench



Pipe wrenches(2)
(one for backup)



Safety Glasses



1/8" Drill Bit & Electric or Hand Drill

■ Materials You May Need

- Gas line shut-off valve
- Professional gas pipeline sealing materials that resists action of natural and propane gases
- Flexible metal appliance connector (3/8 NPT).
A 5-foot length is recommended for ease of installation but other lengths are acceptable.
Never use an old connector when installing a new cooktop.
- Flare union adapter for connection to gas supply line (3/4 or 1/2 NPT × 3/8 NPT).
- Flare union adapter for connection to pressure regulator on cooktop (1/2 NPT x 3/8 NPT).
- Liquid leak detector or soapy water.

Before you begin

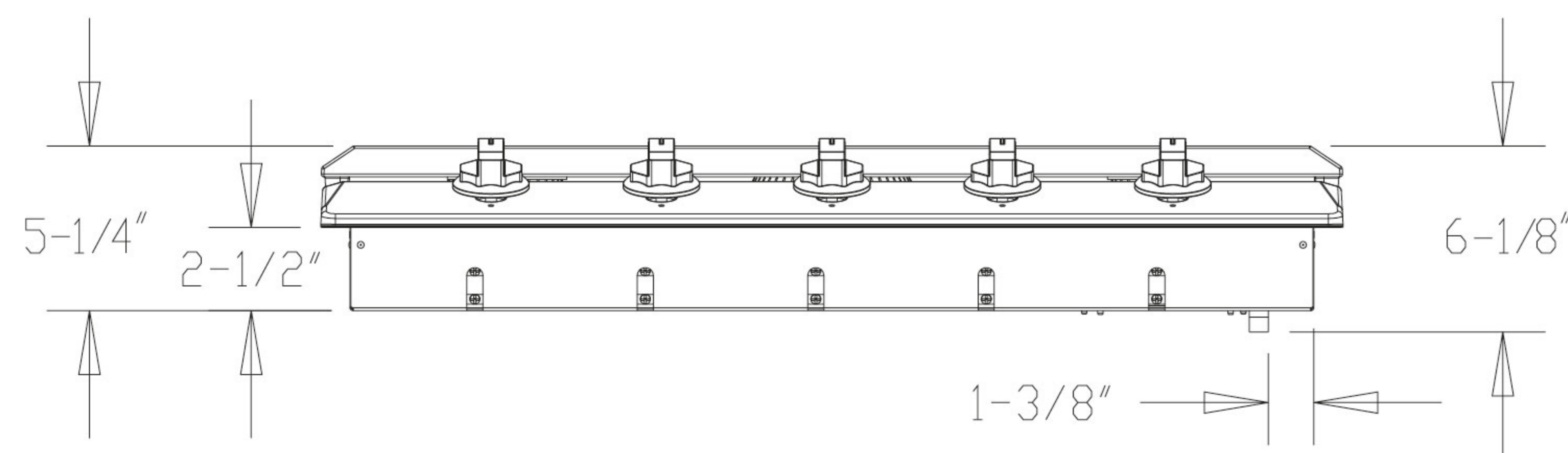
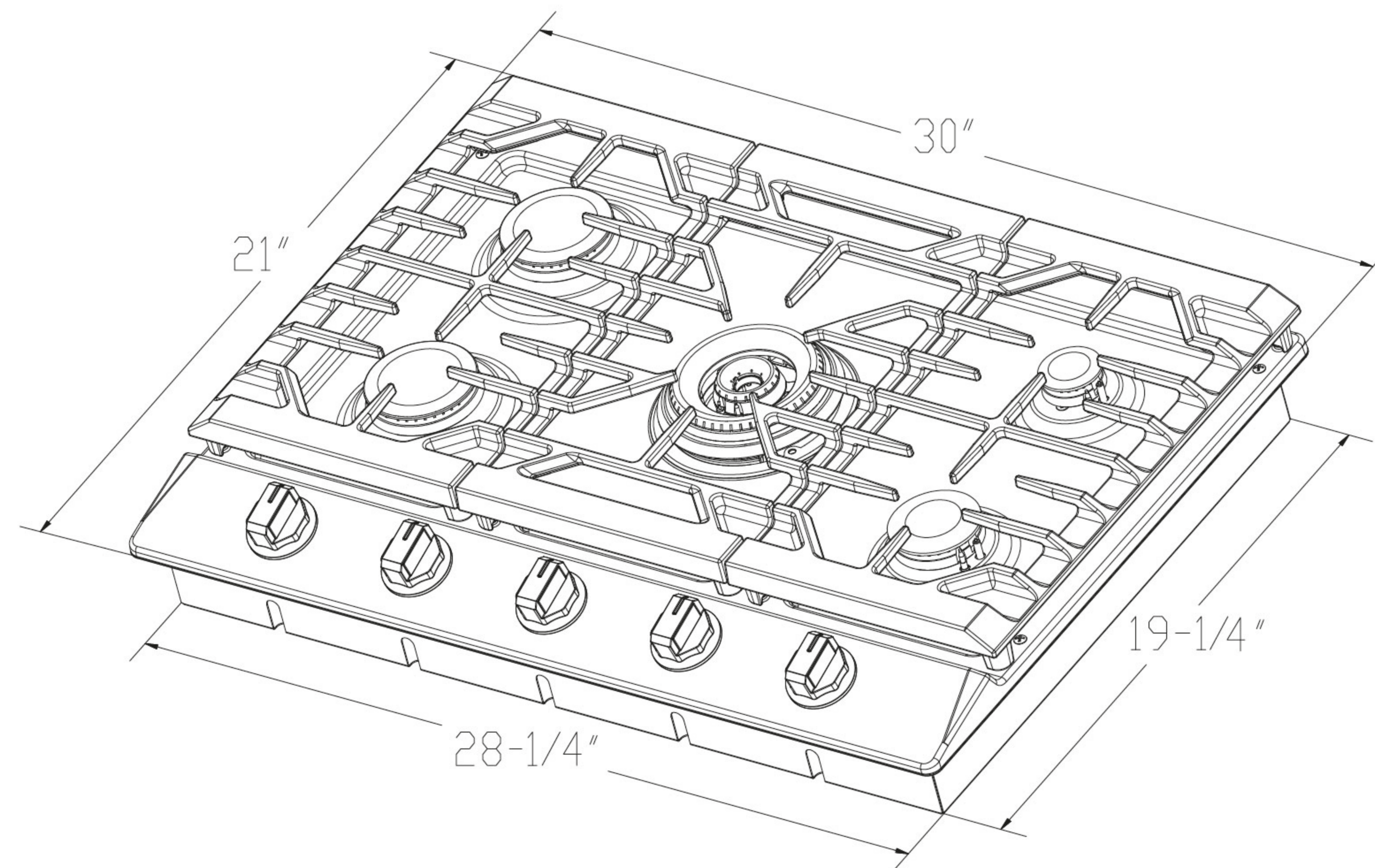
1. Remove packing materials from the cooktop.
2. Make sure you have received all of the supplied parts shown above in the parts list.
3. Check that the cooktop is in good condition without damage during unpacking.
4. Check the dimensions and clearances (shown below), make sure the inside of the cabinet and the cooktop do not interfere with each other.

If your cooktop was damaged during shipping or you do not have all of the supplied parts, contact Fotile Service at: serviceusa@fotile.com or 1-888-315-0366.

Product Dimensions

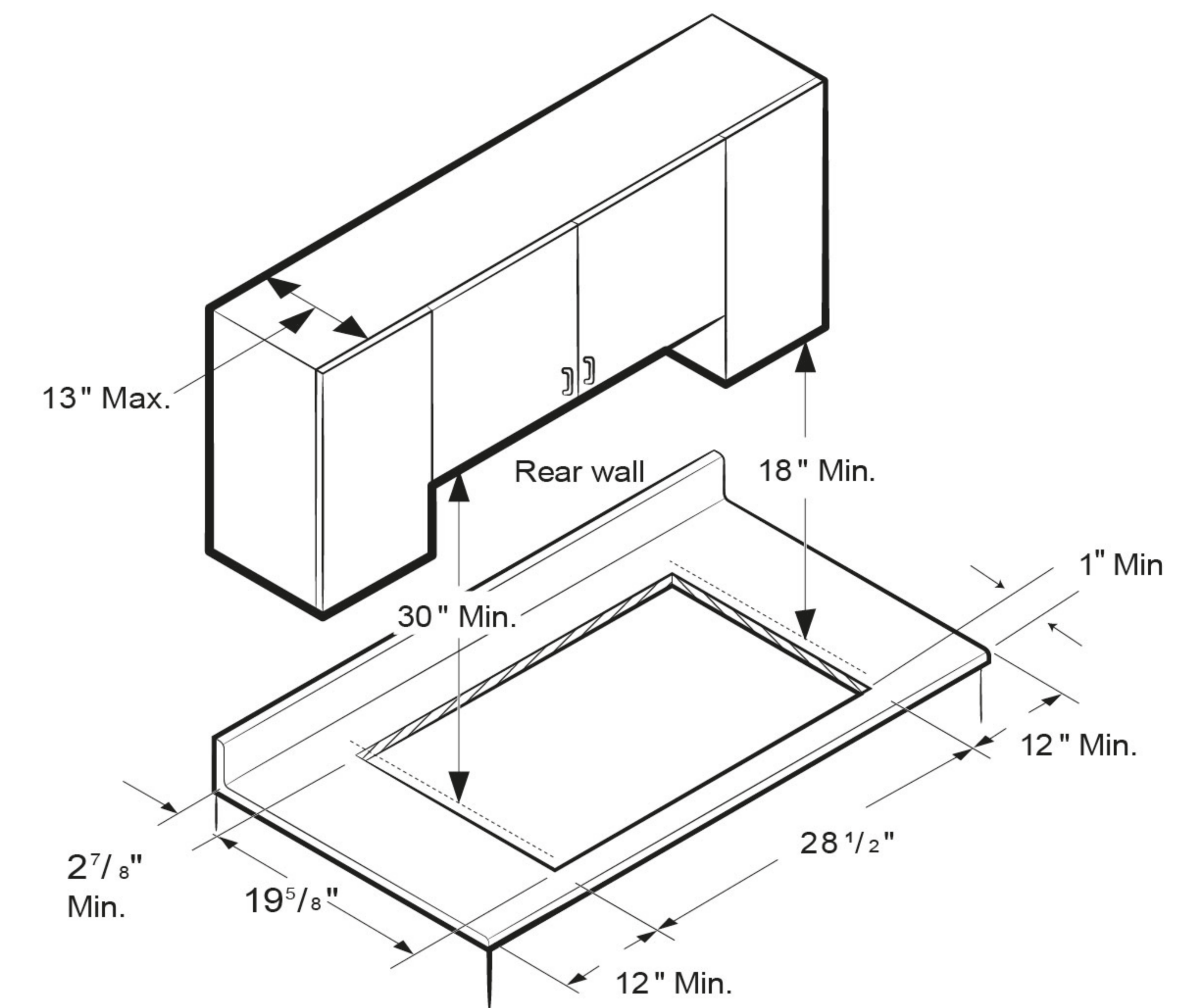
Product Dimensions (W x D x H) (inch):
30 x 21 x 5 1/4

Cut-out Dimensions (W x D) (inch):
(Min 28 1/2 - Max 29) x (Min 19 5/8 - Max 20 1/8)



Before you begin

Clearance Dimensions



Safety distances

Above the cooktop

The minimum safety distance given by the hood manufacturer must be maintained between the cook top and the hood above it. See the installation instructions of the hood for these safety measurements. If the hood manufacturer's instructions are not available or if flammable objects are installed over the cook top (e.g. cabinets, utensil rail, etc.), a minimum safety distance of 30" (760 mm) must be maintained.

Minimum vertical clearances of 18 inches from top surface unit to side cabinets. Minimum horizontal distance(s) from sides and back of appliance to adjacent vertical combustible walls extending above the top panel, 12 inches from the left side, 12 inches from right side, 12 inches from rear wall. Minimum clearance to combustible construction centered above cooking surface: vertical 30 inches, horizontal 30 inches. The unit overhead cabinet maximum depth: 13 inches. Minimum horizontal distance from front edge of counter to front side of appliance, 1 inches.

If there are several appliances beneath a hood, and they have different minimum safety distances always observe the largest distance.

Below the cooktop

All gas cooktop models require 7/16" free area below cooktop height to combustible material.

Installation requirements

■ Gas supply requirements

⚠ WARNING



Explosion Hazard

Use a new CSA/ETL International approved gas supply line.
Install a shut-off valve.
Securely tighten all gas connections.
If connected to LP, have a qualified person make sure gas pressure does not exceed 14” (36cm) water column.
Examples of qualified person include:
Licensed heating personnel
Authorized gas company personnel, and
Authorized service personnel.
Failure to do so can result in death, explosion, or fire.

⚠ WARNING

The pressure regulator located at the inlet of the cooktop manifold must remain in the supply line regardless of whether natural or LP gas is being used.

Provide adequate gas supply

This cooktop is designed to operate at a pressure of 4in (10cm) of water column on natural gas or 10in (25cm) of water column on LP gas.

Make sure you are supplying your cooktop with the type of gas for which it is designed. Do not attempt to convert the appliance from the gas specified in this manual to a different gas without consulting the gas supplier.

This cooktop is convertible for use on natural or propane gas. If you decide to use this cooktop on LP gas, conversion must be made by a qualified LP installer before attempting to operate the cooktop.

For proper operation, the pressure of natural gas supplied to the regulator must be between 4in and 10in (10cm and 25cm) of water column.

For LP gas, the pressure supplied must be between 10in and 13in (25cm and 33cm) of water column. When checking for proper operation of the regulator, the inlet pressure must be at least 1in (2.5cm) greater than the operating (manifold) pressure as given.

Installation requirements

■ Electrical requirement

⚠ WARNING



Electrical Shock Hazard

Plug into a grounded 3 prong outlet.
Do not remove ground prong.
Do not use an adapter.
Do not use an extension cord.
Failure to follow these instructions can result in death, fire, or electrical shock.

Electrical outlet 12” (30.5 cm) minimum below countertop

All gas models are equipped with a power cord with an equipment-grounding conductor and a grounding plug.

A 120-Volt, 60-Hz, AC, approved electrical service with 20-amp circuit breaker or time-delay fuse is required for all U.S. and Canadian models.

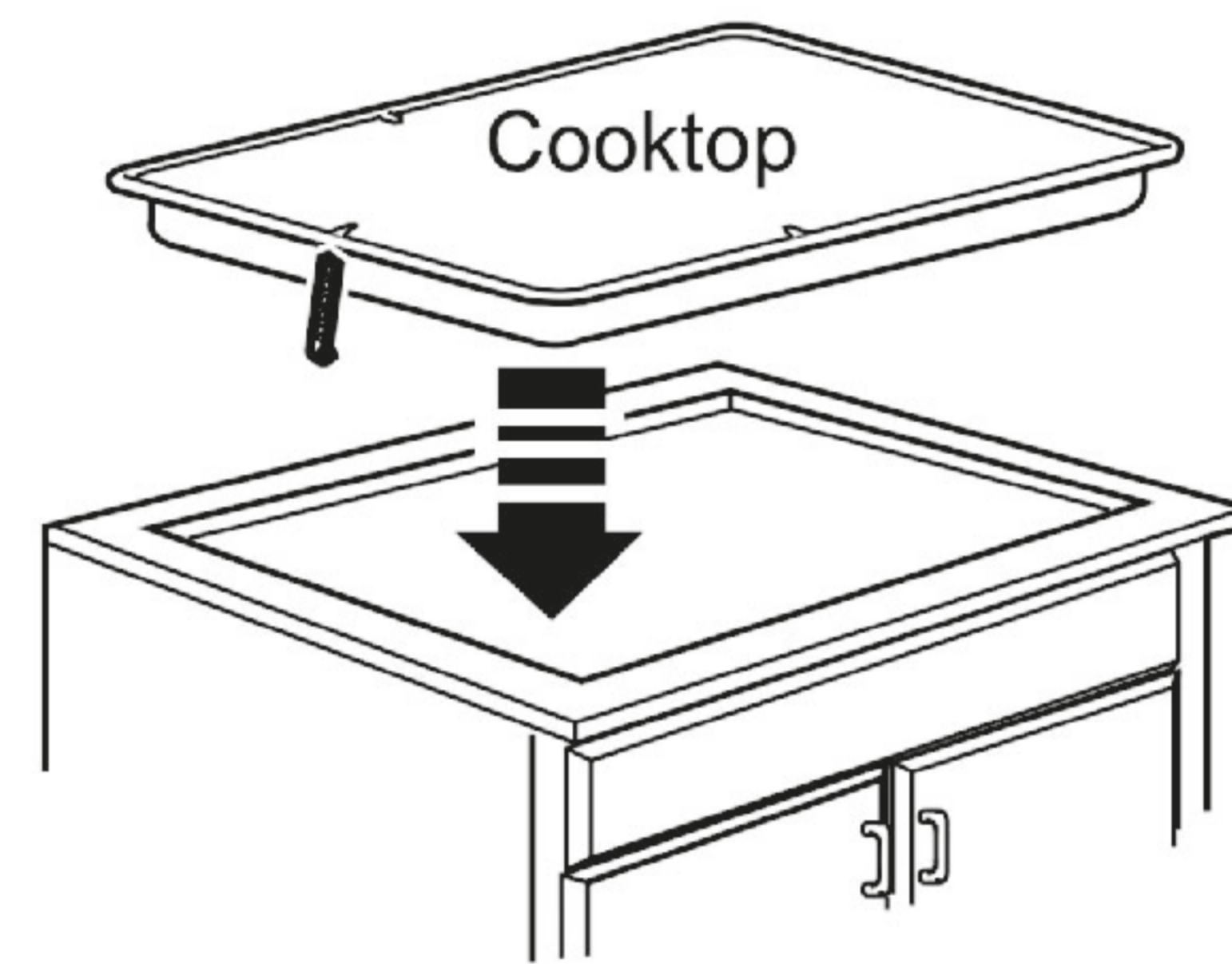
The plug must be firmly plugged into a three-prong outlet that is properly installed and grounded in accordance with all local codes and ordinances. In the event of a malfunction or breakdown, grounding will decrease the risk of electrical shock by providing a path for the electric current.

⚠ WARNING

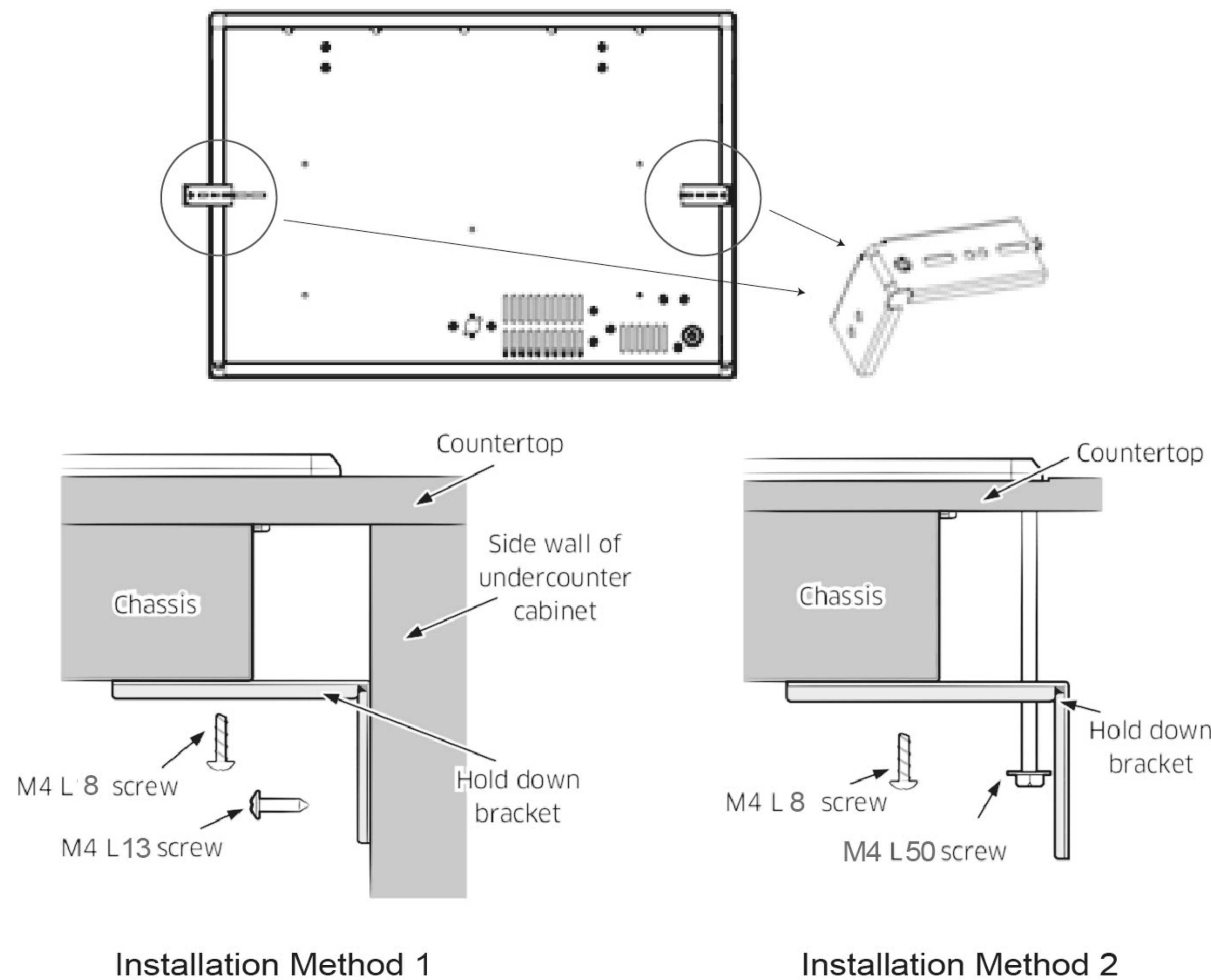
Please read the following instructions, as well as the Important Safety Instructions section at the front of this manual, completely and carefully **BEFORE** installing and/or operating the gas cooktop. Improper installation, adjustment, service, or maintenance can cause personal injury or property damage.

■ Step 1: Installing the cooktop

- Locate electrical outlet and gas shut-off valve beneath the cabinet.
- Insert the cooktop centered into the cutout opening. Make sure the front edge of the countertop is parallel to the cooktop. Make final check that all required clearances are met.
- * Be careful that the ignition needle/thermocouple is not damaged by inserting.



- Choose installation method 1 or method 2 shown below to secure the cooktop to the countertop using the two provided hold-down brackets as shown.



■ Step 2: Connecting the cooktop to gas supply

⚠ WARNING

Shut off the main gas supply valve before disconnecting the old cooktop and leave it off until the new hookup has been completed. Don't forget to relight the burner on other gas appliances when you turn the gas back on.

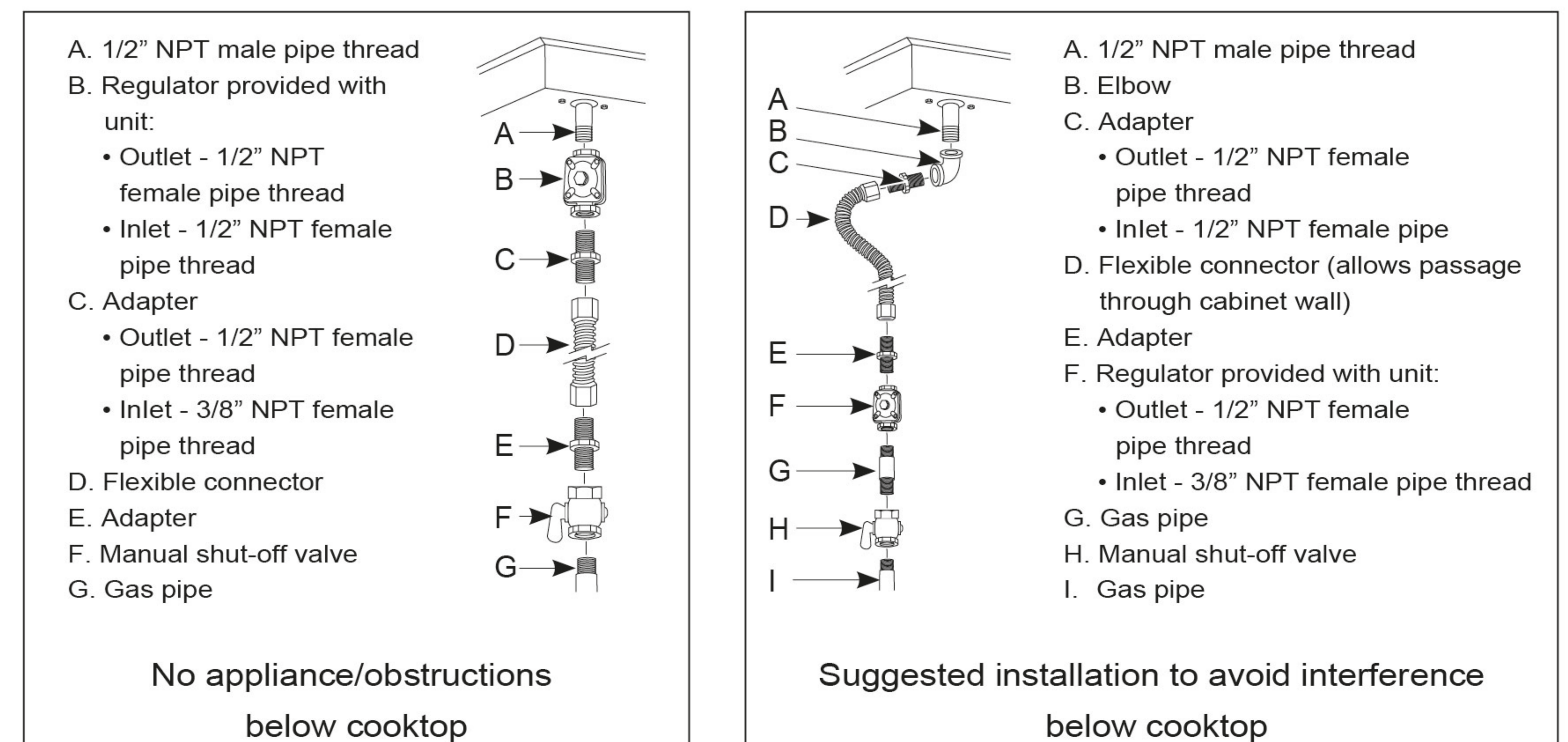
Because hard piping restricts movement of the cooktop, the use of a CSA International-certified flexible metal appliance connector is recommended unless local codes require a hard-piped connection.

Never use an old connector when installing a new cooktop. If the hard-piping method is used, you must carefully align the pipe; the cooktop cannot be moved after the connection is made.

Tighten all connections if necessary to prevent gas leakage in the cooktop or supply line.

Check for gas leaks: To prevent death, personal injury, explosion, and/or fire hazard, **DO NOT** use a flame to check for gas leaks. When using test pressures greater than 1/2 psig to pressure-test the gas supply system of the residence, disconnect the cooktop and individual shut-off valve from the gas supply piping. When using test pressures of 1/2 psig or less to test the gas supply system, simply isolate the cooktop from the gas supply system by closing the individual shut-off valve.

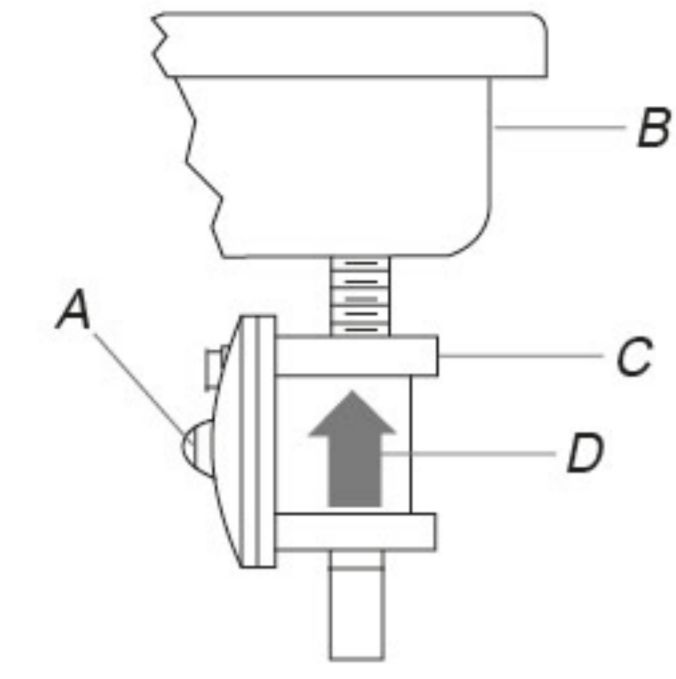
- FOTILE gas cooktops are manufactured and shipped to be used with natural gas. If you want to use LPG, please convert before using.
- To prevent gas leaks, please use professional gas pipe sealing materials on all male (external) pipe threads.
- Attach the gas pressure regulator (included with the cooktop) to the cooktop pipe nipple inlet. For tight installations, the regulator may be installed upstream from the pipe nipple, anywhere between the shut-off valve and the cooktop. For best performance, minimize gas pressure loss by attaching the regulator as close as possible to the cooktop gas inlet.
- When all connections have been made, make sure all cooktop controls are in the off position and turn on the main gas supply valve.
- Use Soap-suds at all joints and connections to check for leaks in the system.
- Tighten all connections if necessary to prevent gas leakage in the cooktop or supply line.



Installation instructions

• Pressure regulator installation

Install the pressure regulator with the arrow pointing in the direction toward the bottom of the cooktop base and in a position where you can reach the regulator access cap.



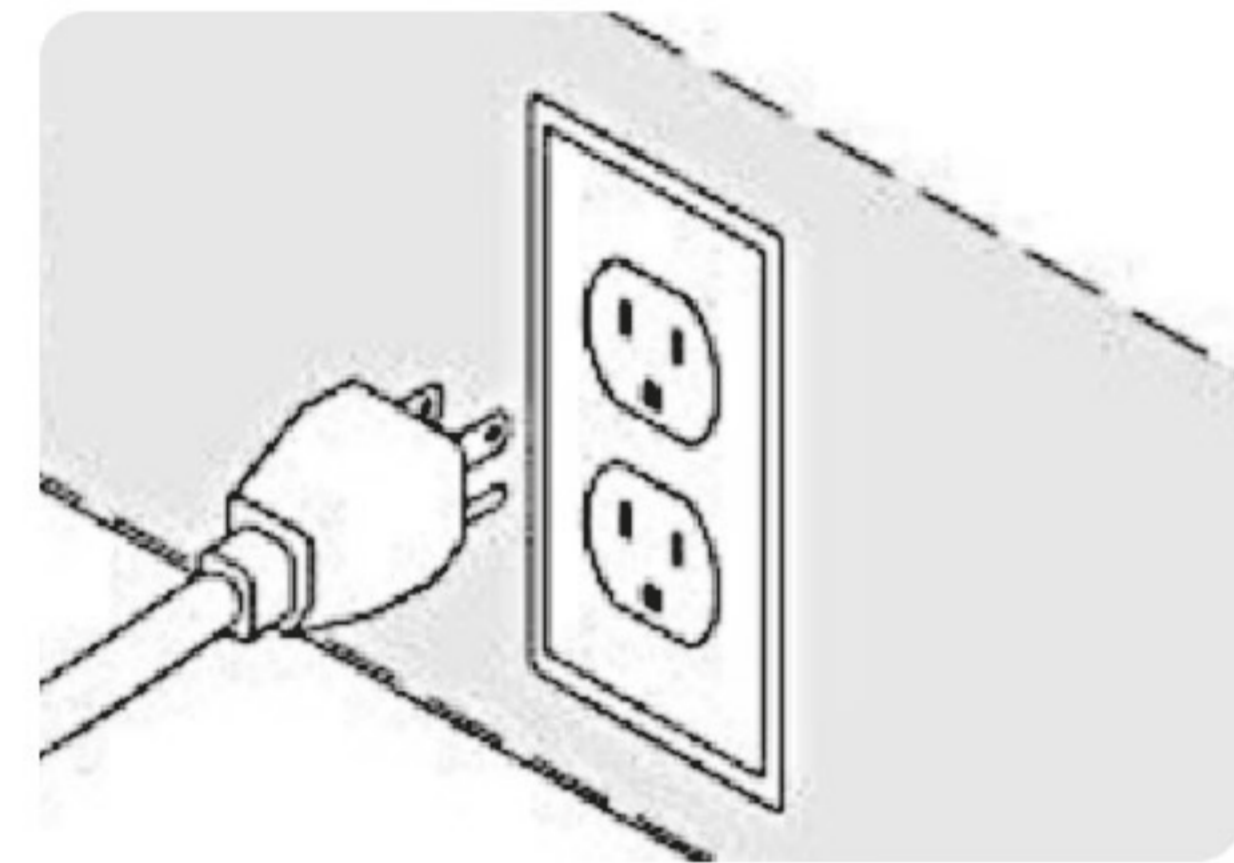
- A. Access cap
- B. Rear of cooktop
- C. Gas pressure regulator
- D. Up arrow. The arrow is on the bottom of the pressure regulator.

■ Step 3: Electrical connections

⚠ WARNING

The electrical system, including the power cord, is preinstalled and prewired at the factory. Altering any part of this system may result in a short or overload.

- All gas cooktops come with a power cord. The power cord is connected to the bottom of the cooktop
- Plug in the power cord. Make sure the outlet meets local or national electrical codes

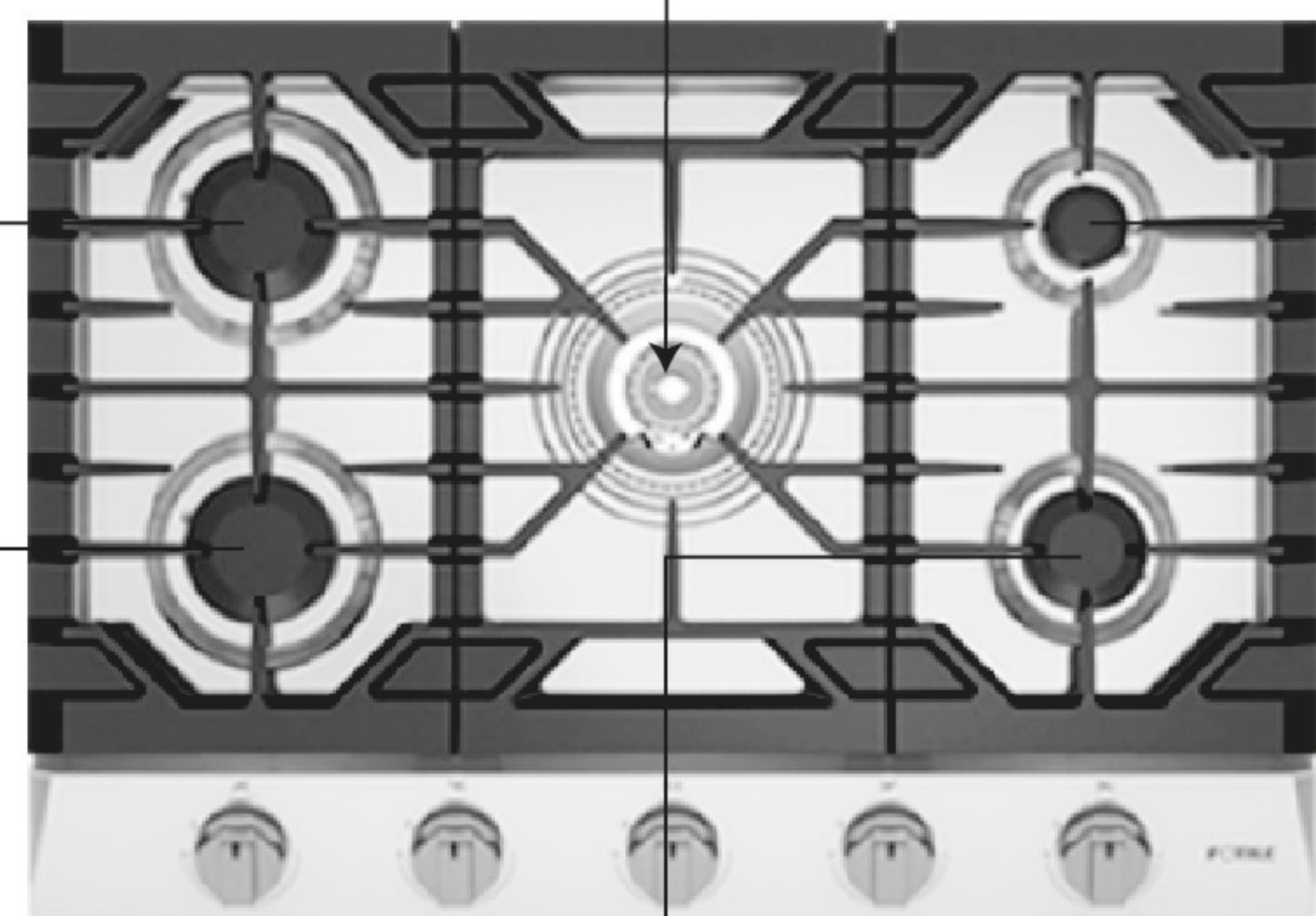


■ Step 4: Burner components and grate installation



Outer Burner Cap Burner Head Inner Burner Cap

Center: 21000BTU, Versatile Tri-Ring Burner



Burner Cap Φ 90 Burner Head

LF/LR:13000BTU,Rapid Burner



Burner Cap Φ 75 Burner Head

RF:6000BTU,Semi Rapid Burner



Burner Cap Φ 50 Burner Head

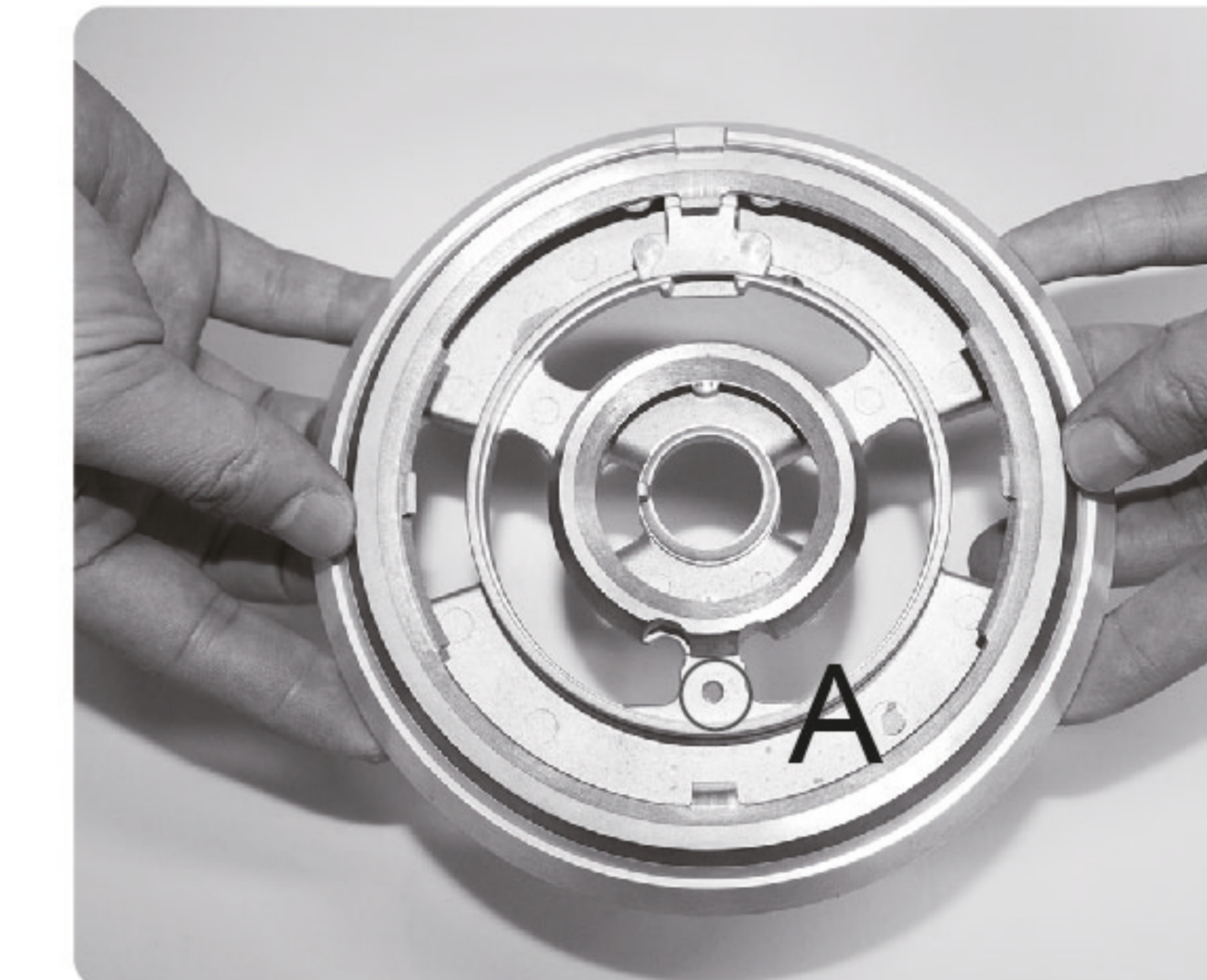
RR:3000BTU Simmer Burner

Installation instructions

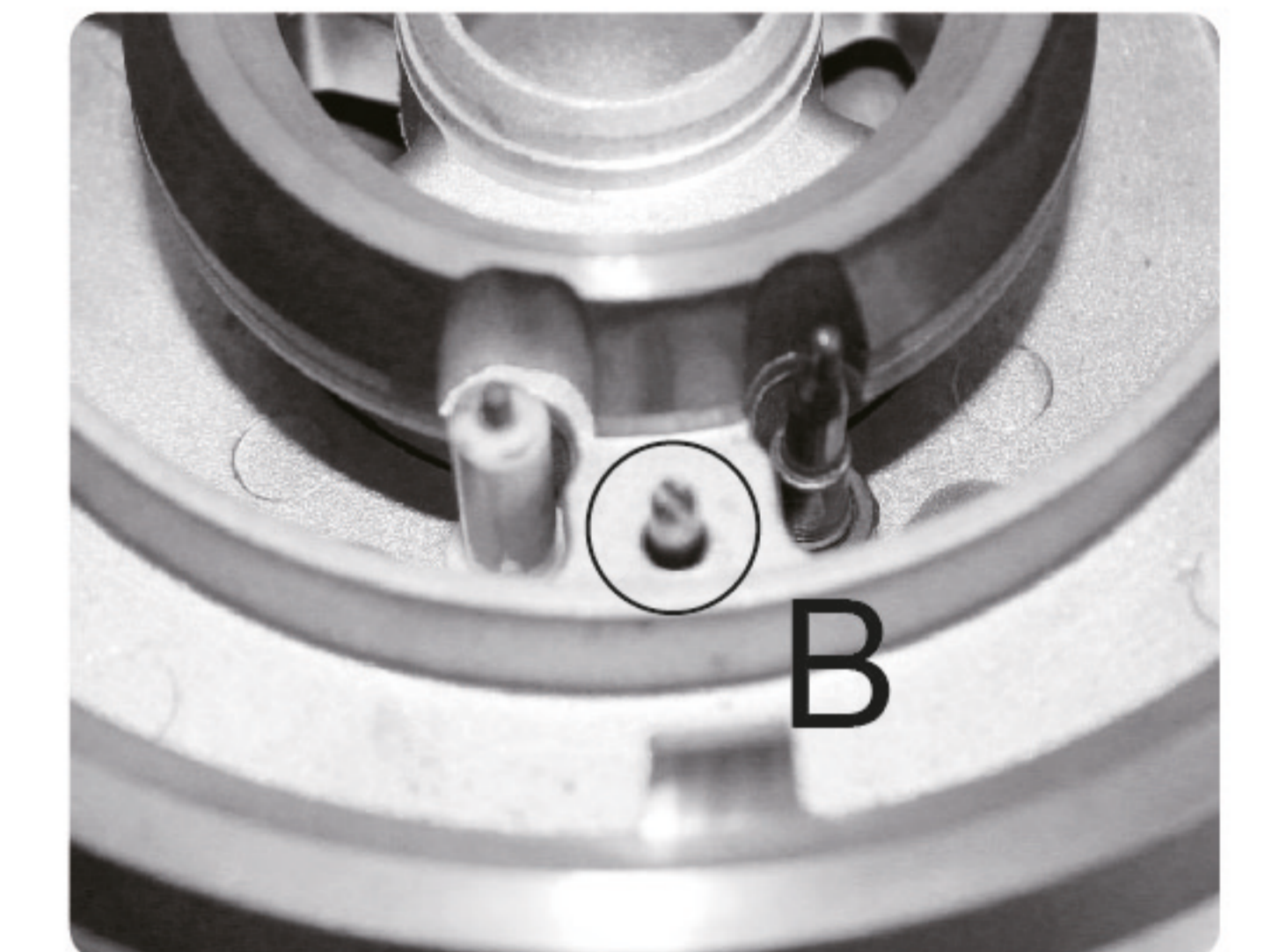
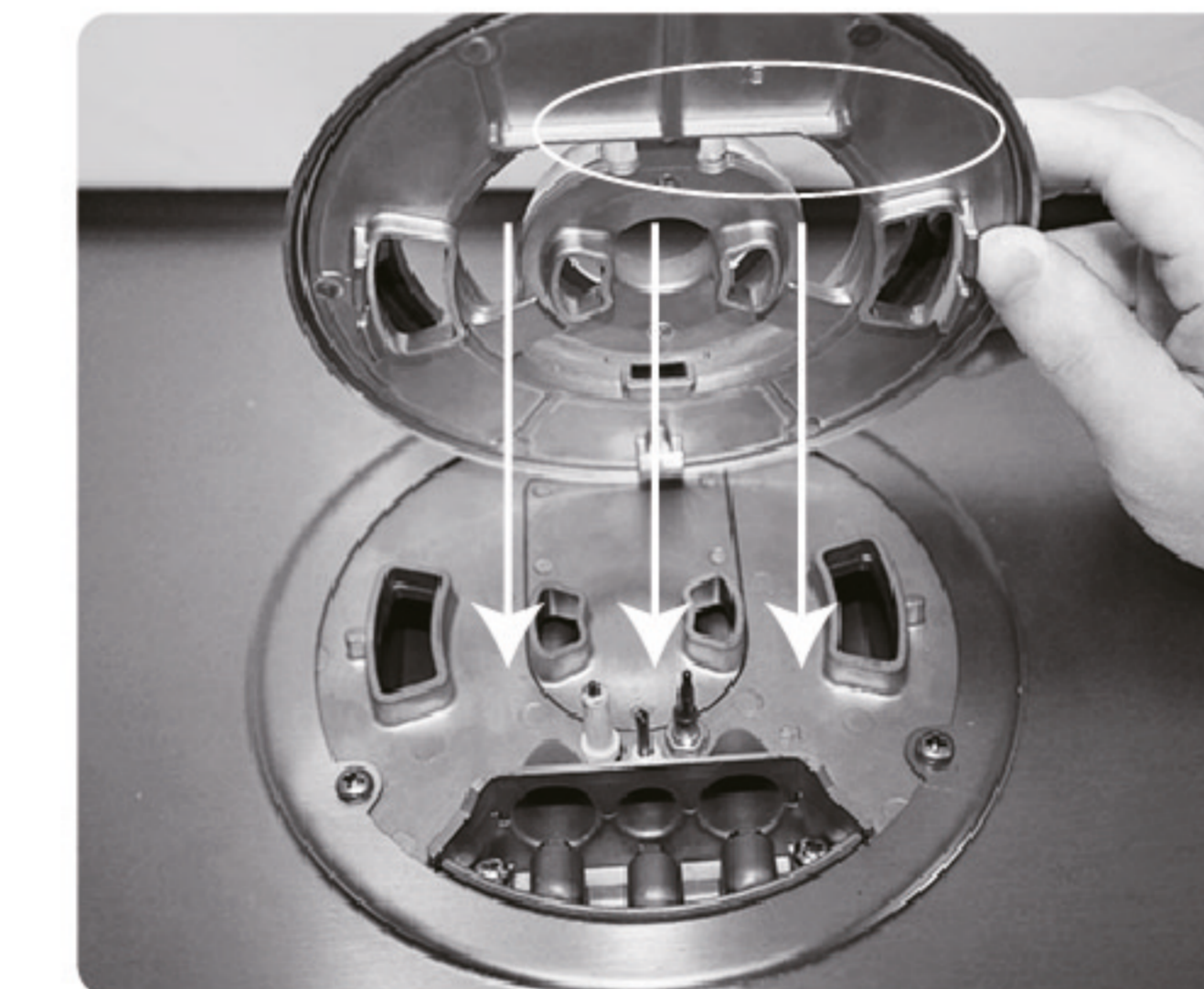
Burner components installation

Center versatile Tri-Ring burner assembly:

1. Hold the burner head so the shiny silver side is facing down. Find the small hole in the burner head as noted in this picture.



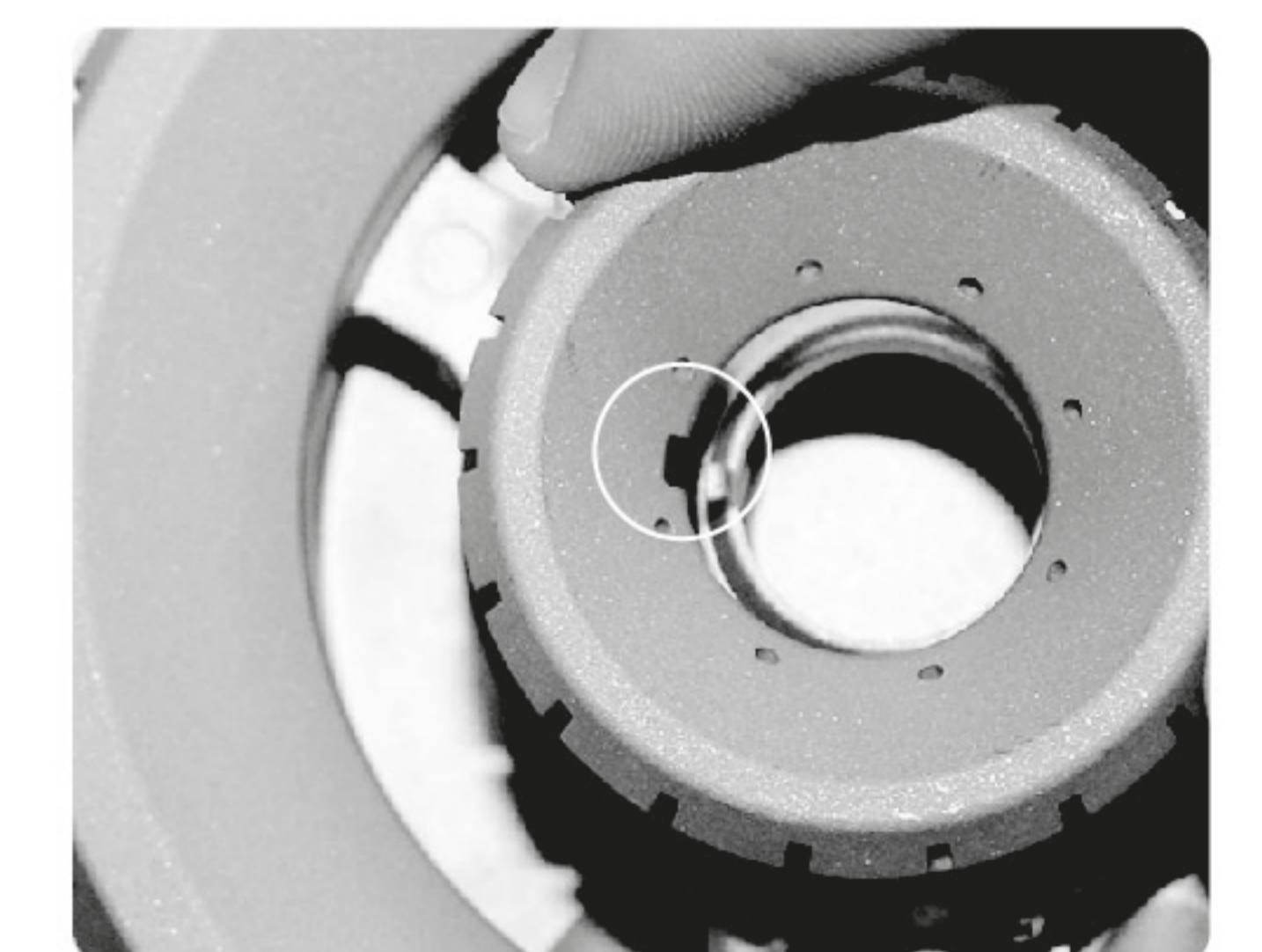
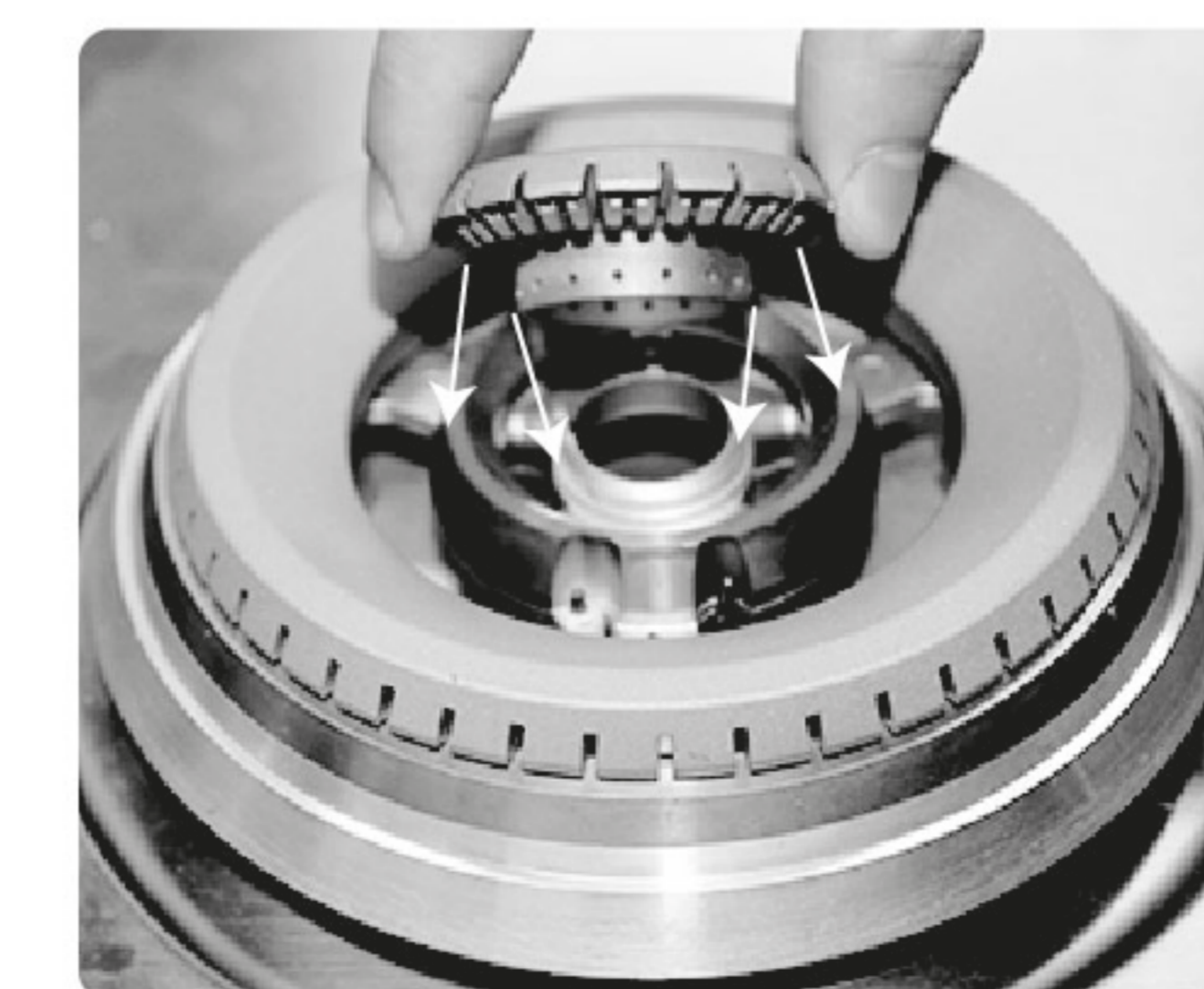
2. Place the burner head onto the cooktop surface so that "hole A" gets inserted into "pin B" on the cooktop. Make sure "Pin B" is firmly seated into "hole A" on the Burner Head. If not, remove the burner head and try it again. Please refer to the pictures below for this step.



3. Place the lined part of outer burner cap to fit in the lined part of the burner head. Shake the outer burner cap gently to check if it is firmly seated (you will be able to rotate the outer burner cap, but it should be firmly seated in the burner head.)



4. Next, place the inner burner cap on the burner head and make sure it is firmly set by gently sliding it from side to side.



Installation instructions

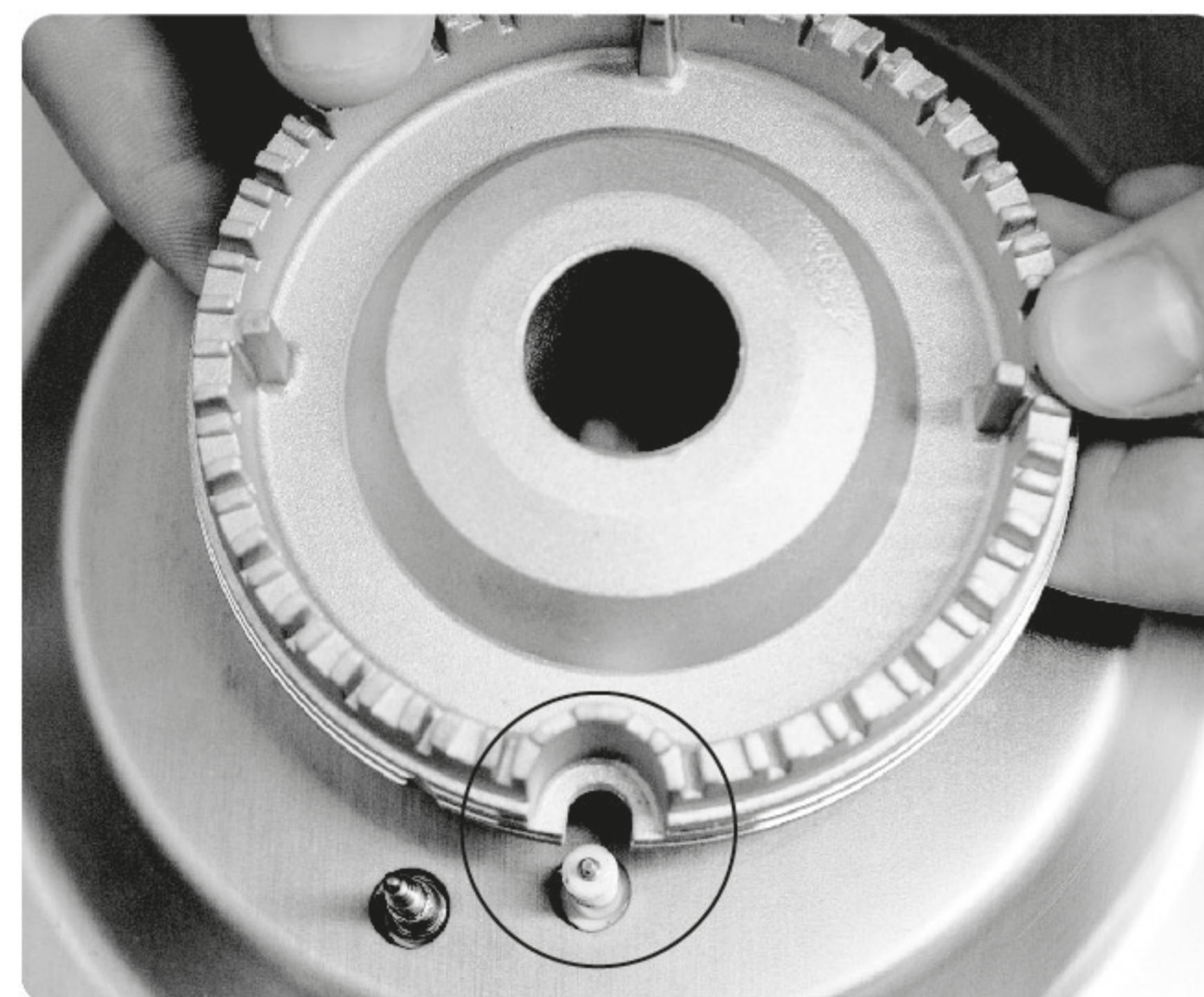
5. Check if the burner head/burner cap is firmly seated. If the burner head/cap is not level or is unstable, you must take it off, and reinsert it again.

Other burner assembly:

1. Identify 13000BTU/6000BTU/3000BTU burner head and burner cap by size.
2. Hold the burner head, then find the gap "C" and ignition needle "D", make it on the same side.



3. Place the burner head with the gap "C" next to the ignition needle "D" and make sure the burner head is firmly seated.



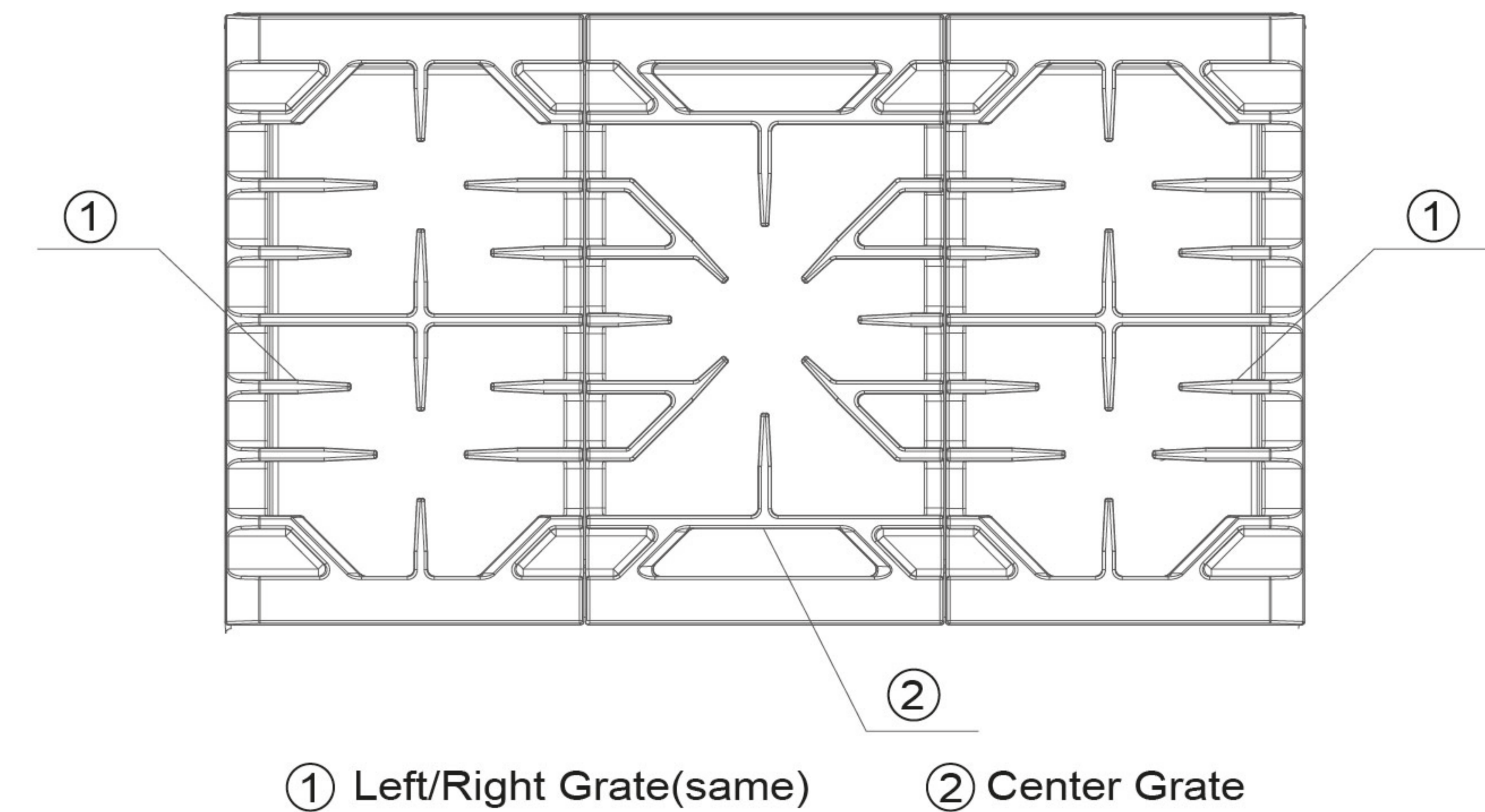
4. Place the lined part of burner cap to fit in the lined part of the burner head. Shake the burner cap gently to check if it is firmly seated.



5. Check if the burner head/burner cap is firmly seated. If the burner head/cap is not level or is unstable, you must take it off, and reinsert it again.

Installation instructions

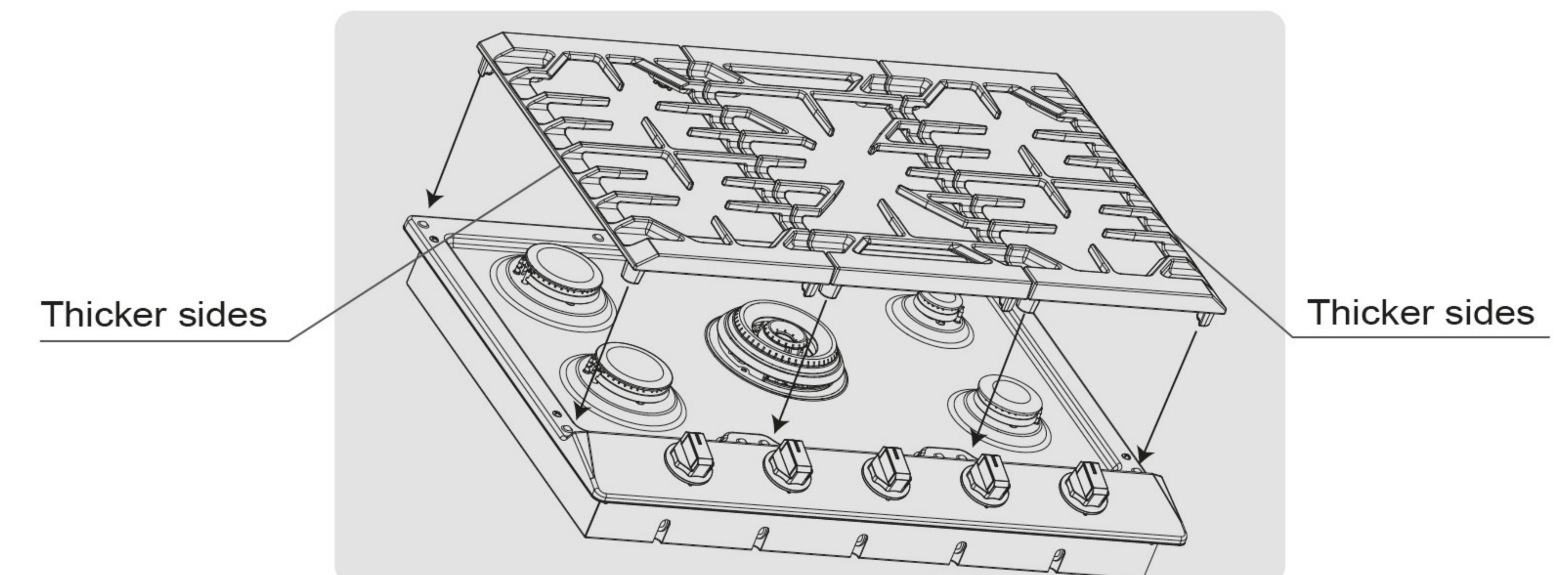
Install the grates



The three cooktop grates are designed to fit in specific positions on the cooktop. For maximum stability, these grates should only be used in their proper positions.

To properly setup your cooking grates, please follow these steps:

1. Take out the three grates and find the center grate first. Note, the left and right grids are exactly the same.
2. Gently lower the legs of the center grate so they rest in the center grate dimples of the cooktop.
3. Take the other two grates and make sure the thicker sides of the grates face the outer left and right sides of the cooktop.
4. Gently lower the legs of the grates into the dimples of the cooktop. When properly installed, neither grate will make contact with the overhangs of the center grate.



Step 5: Check the ignition and flame quality

⚠ WARNING

If it does not light within the first 15 seconds, turn the knob to OFF and wait for 60 seconds before attempting to light it again.

When the knob is released, the igniter will continue to maintain the ignition state for 1 to 3 seconds, which provides better ignition rate.

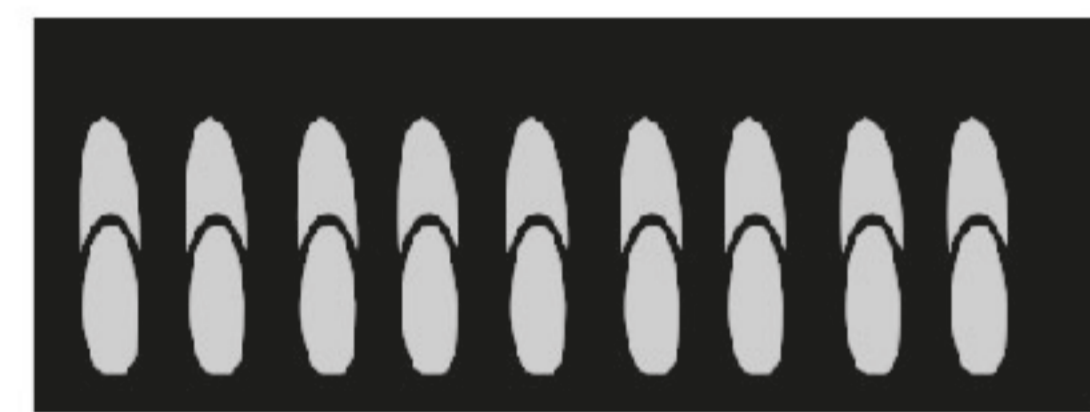
Installation instructions

Check the ignition

- This appliance is equipped with an electronic ignition device. Simply press the knob downward and turn it counterclockwise to HI. Then, you will hear clicking sounds, which indicates proper operation of the ignition system.
- Once air is purged from the supply line, the burner should light within 3-5 seconds, and the clicking sounds will stop.
- After the burner lights, rotate the knob to your desired position.
- Try each burner in succession until all burners have been checked.

Check the flame quality

- Determine the quality of flames visually. Normal burner flames should look like following 2 pictures.
- Long, bright yellow flames are not normal. Normal flames may show signs of an orange tint when well heated or signs of flickering orange due to particles in the gas or air.



(A) Soft blue flames—
Normal for natural gas

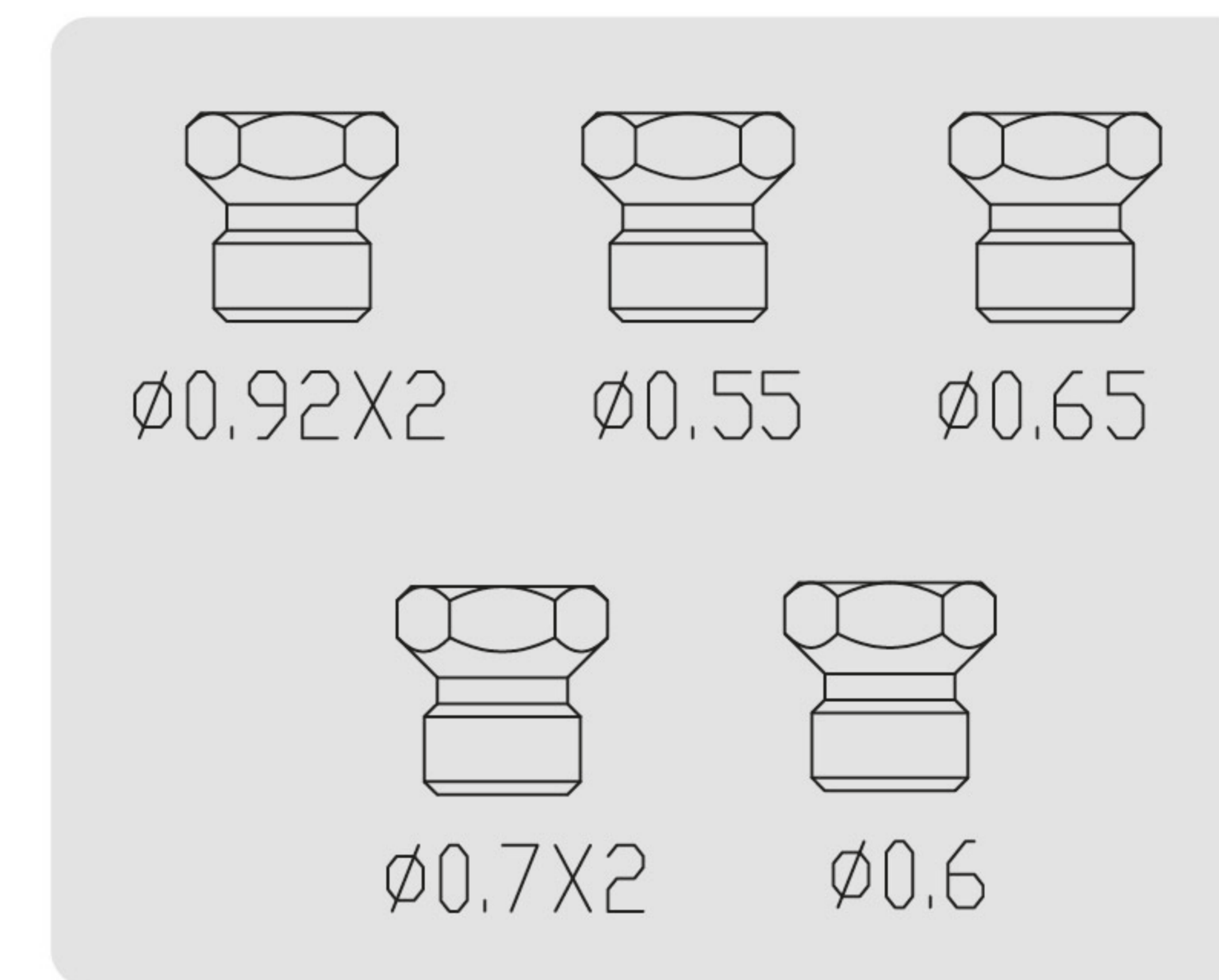


(B) Yellow tips on
outer cones—
Normal for propane gas

LP Conversion Instructions

All FOTILE gas cooktops are manufactured and shipped to be used with natural gas. The cooktop are also shipped with LP Conversion Kits (a set of properly-sized burner orifices, the pressure regulator could use for both natural gas and LP), so the cooktop can be converted to be used with LP gas. Please follow instruction when converting.

LP Conversion Kits



BURNER ORIFICE SIZES AND OUTPUT RATINGS (LP Gas [Propane] 10 in WCP)		
BURNER LOCATION	BTU RATE	Orifice size [mm]
RF	4500	0.65
LF	9000	0.92
RR	3000	0.55
LR	9000	0.92
CENTER	15000	In:0.6/Out:0.7(2 pcs)

■ Required tools



Adjustable wrench



9/32" open-end wrench



Nut drivers:9/32"or 7mm



Phillips screwdriver



3/16" Flat-blade screwdriver

To convert your cooktop for use with LP gas, perform the following steps and procedures:

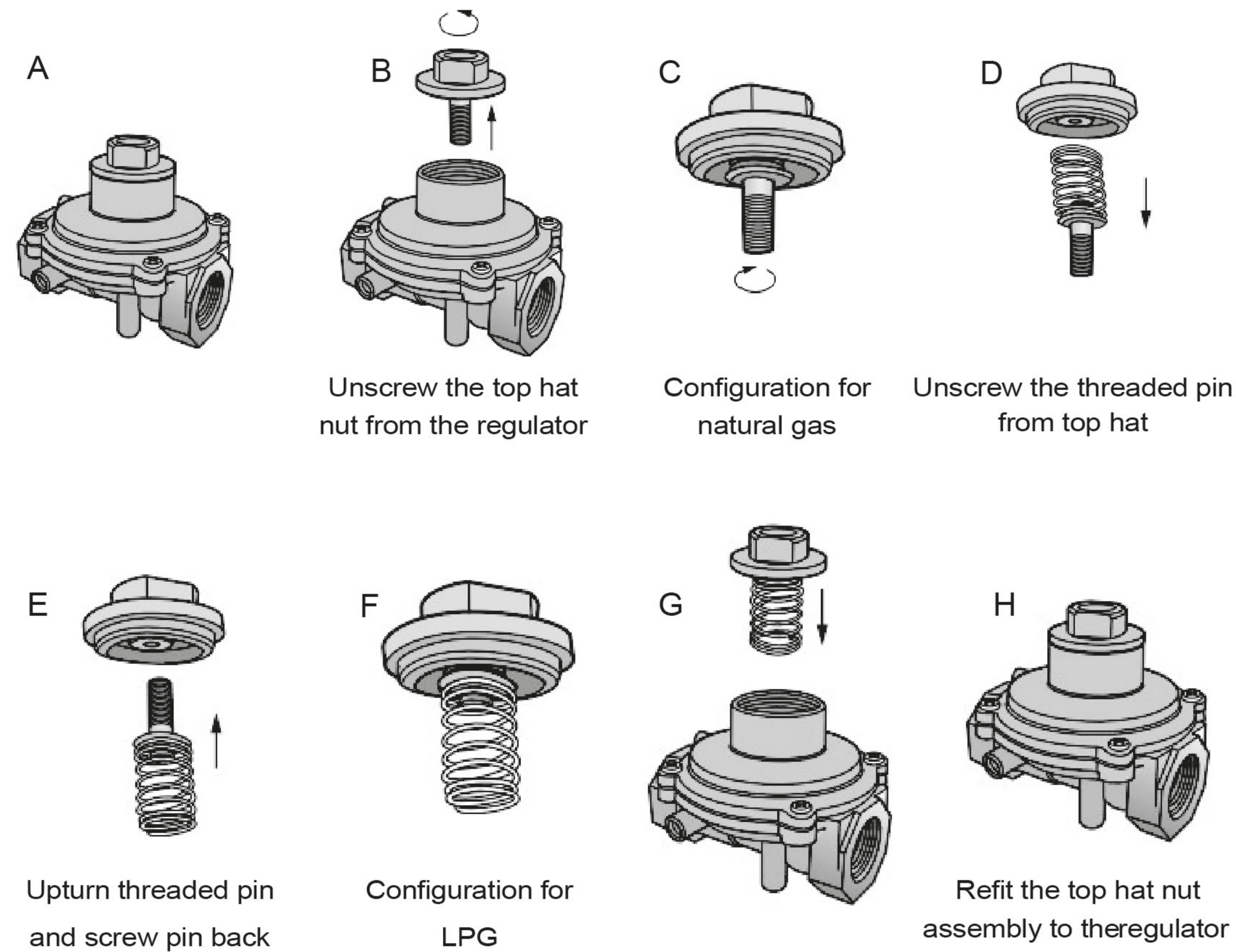
1. Disconnect electrical power to the cooktop. Unplug the cooktop power cord, trip the circuit breaker, or remove the fuse from the fuse box.
2. Shut off the gas supply to the cooktop. Close the manual shut-off valve to the cooktop.

⚠ WARNING

Do not operate the cooktop burners when using LP gas before converting the pressure regulator and burner orifices for LP gas use. Failure to do so could cause high flames and toxic fumes which can result in serious injury.

This conversion must be performed by a qualified installer or gas supplier in accordance with the manufacturer's instructions and all codes and requirements of the authority having jurisdiction. Failure to follow ALL instructions could result in serious injury or property damage.

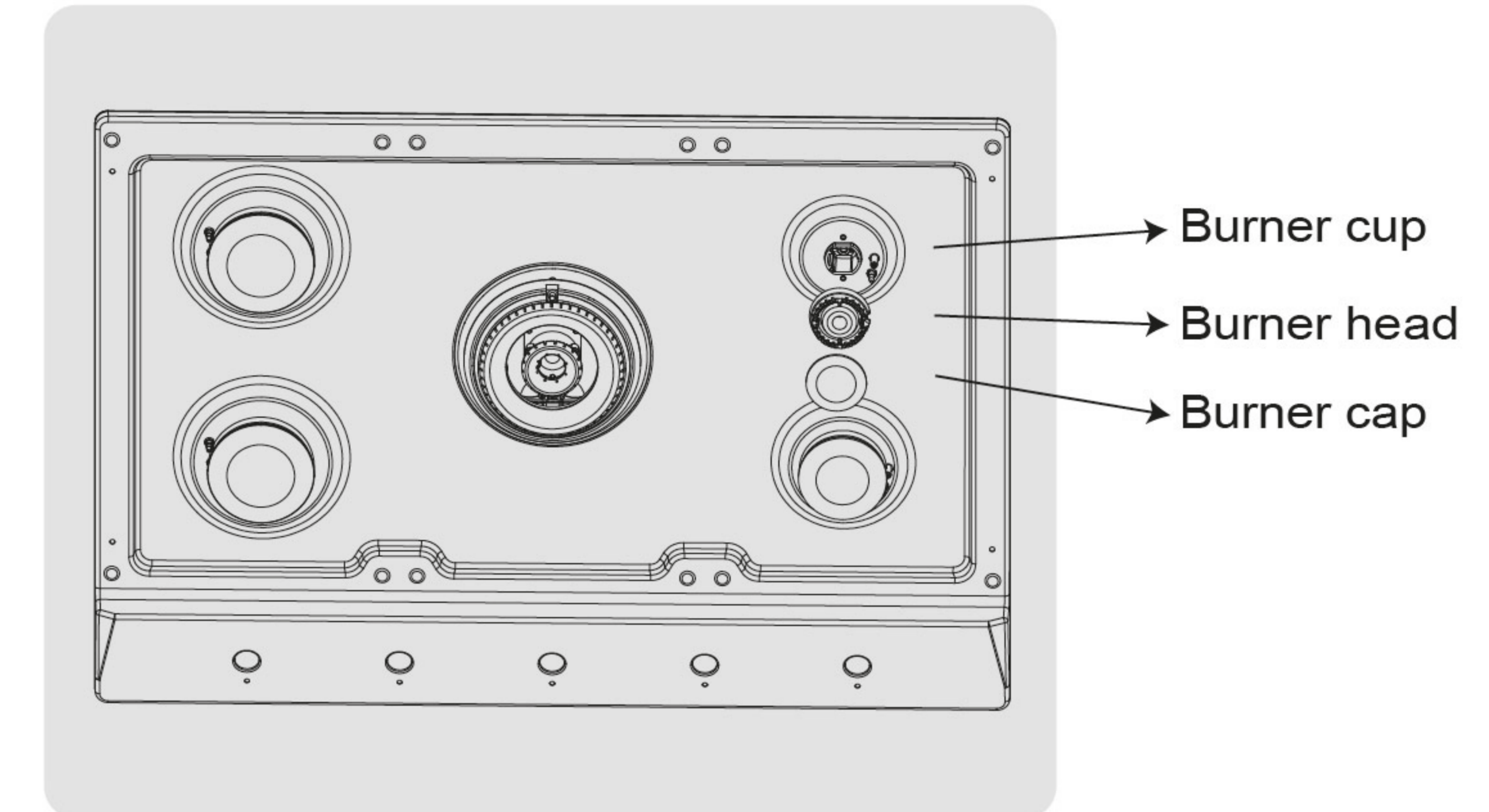
■ 1. Following below instruction to change pressure regulator from natural gas to LP



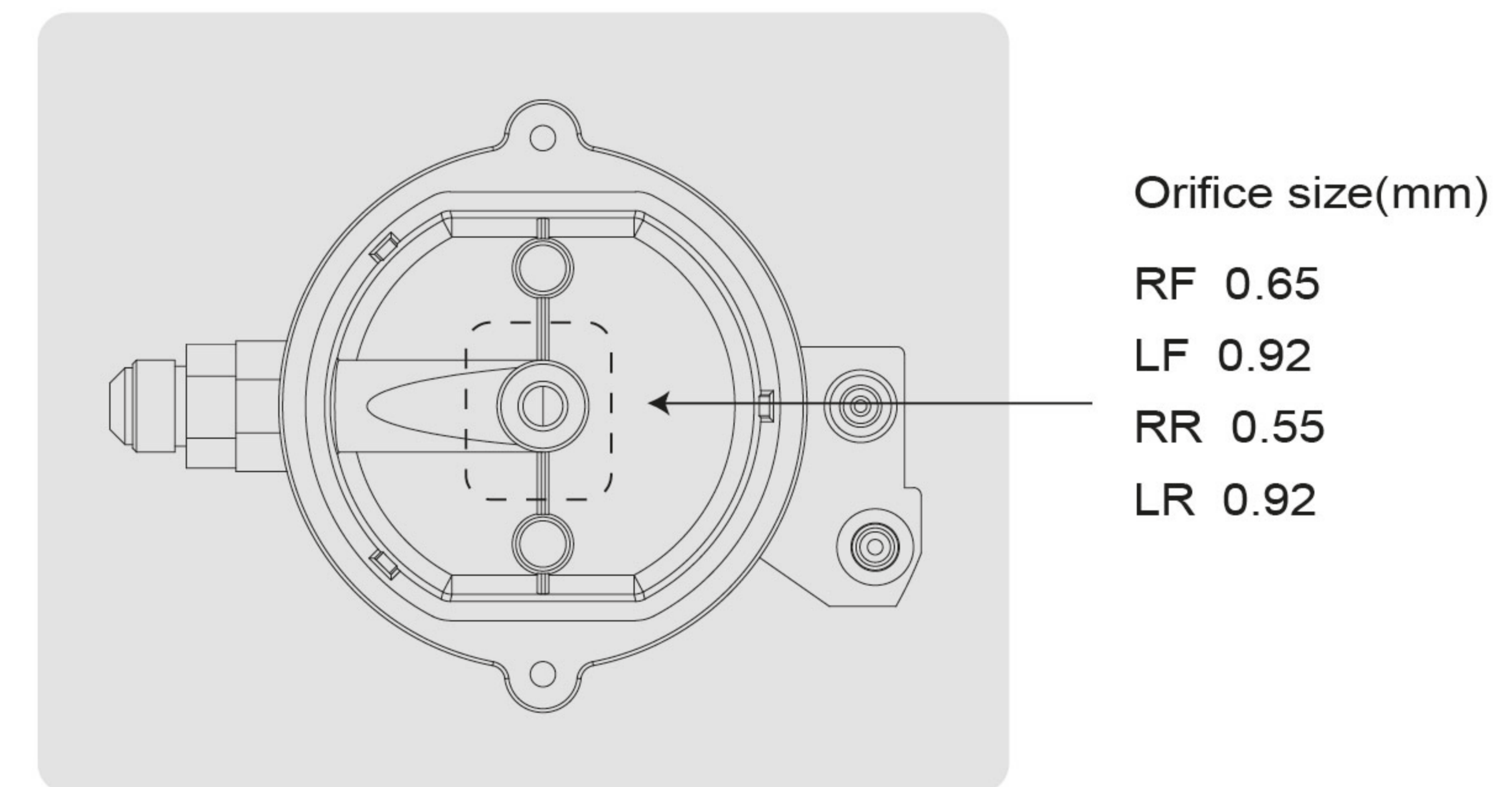
■ 2. Follow the instructions below to change the burner orifices from Natural Gas to LP

Save these orifices and note their positions for future conversions back to natural gas.

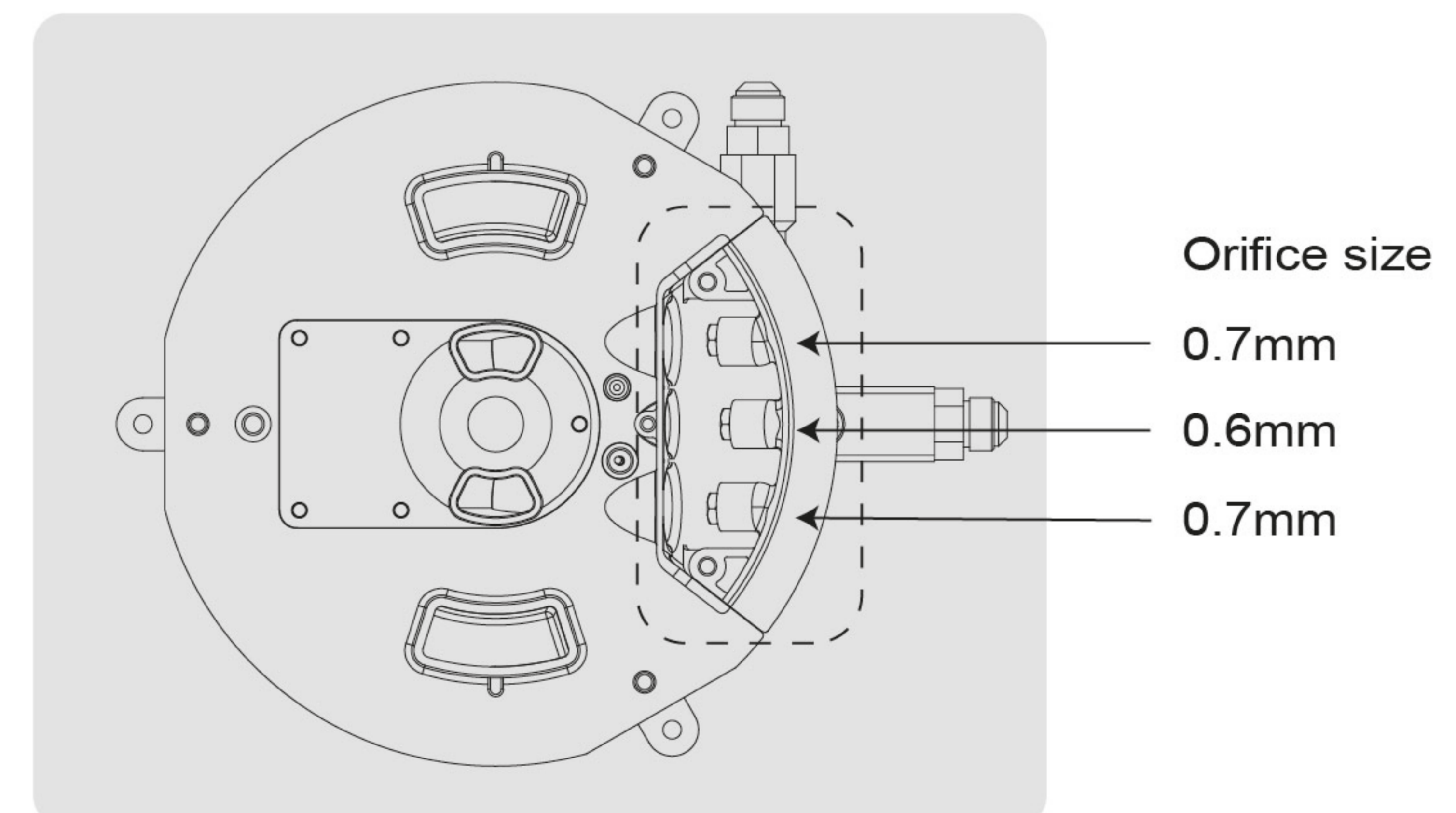
Step 1: Lift off the burner caps and burner heads from the cooktop burner manifold cups.



Step 2: Using a 9/32" or 7mm nut driver, remove the burner orifice from the bottom of the 13000BTU/6000BTU/3000BTU burner manifold cup. And replace with the LP burner nozzles, then screw up clockwise.

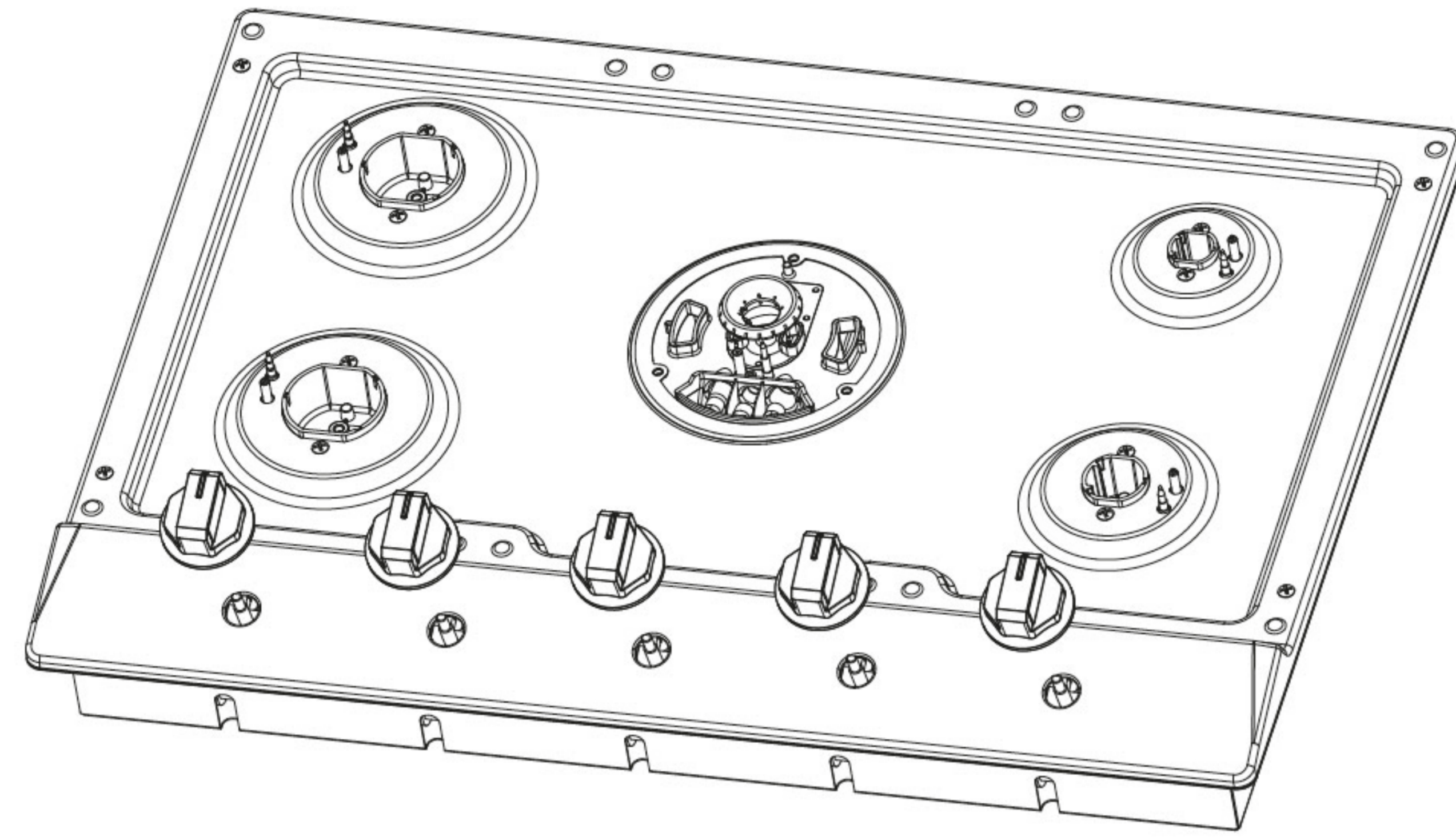


Step 3: Using Phillips screwdriver take off the bracket, then using a 9/32" or 7mm open-end wrench, remove the burner orifice from the bottom of center burner manifold cup. And replace the LP burner nozzles.



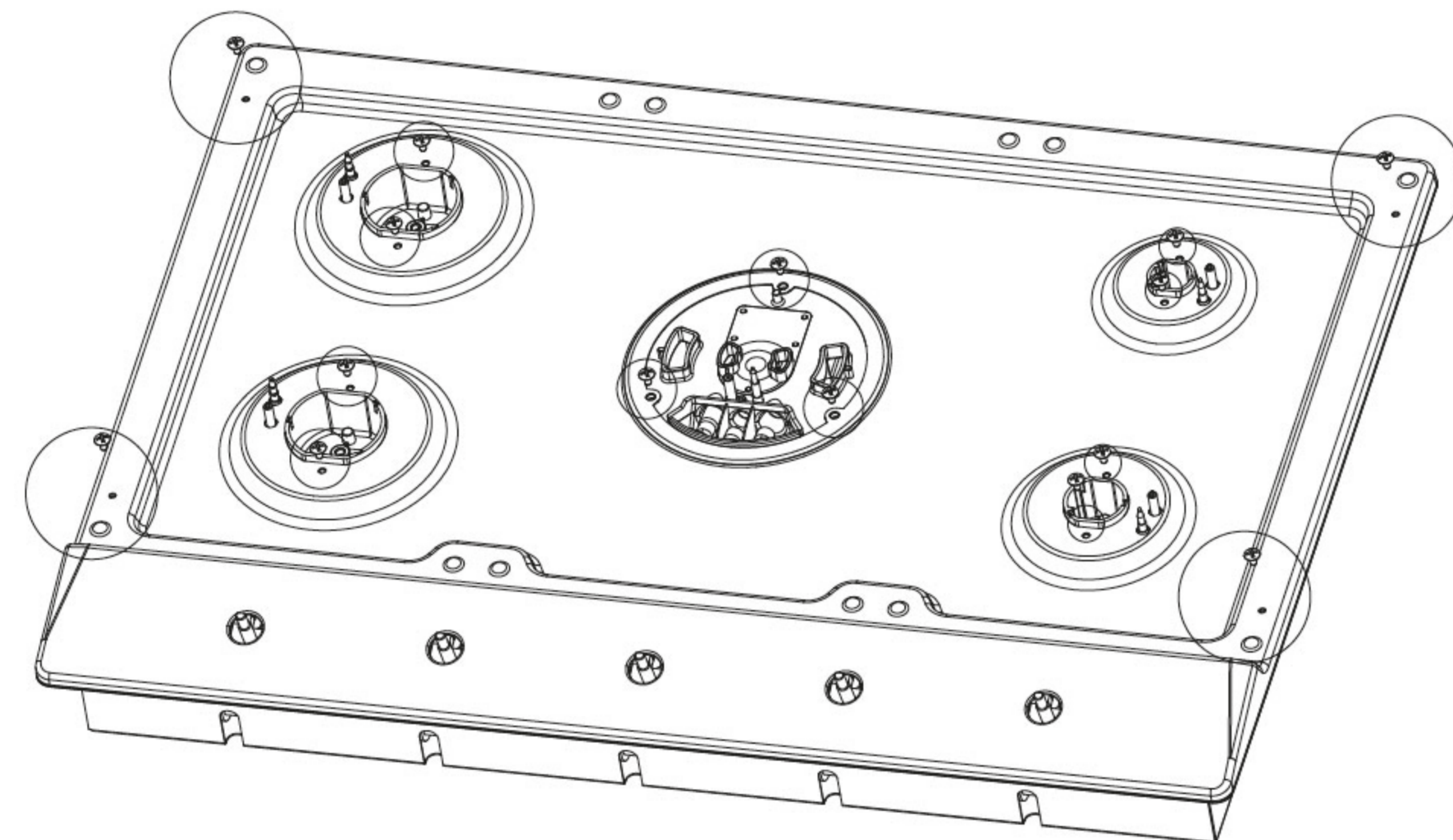
LP Conversion Instructions

Step 4: Take off all the knobs.

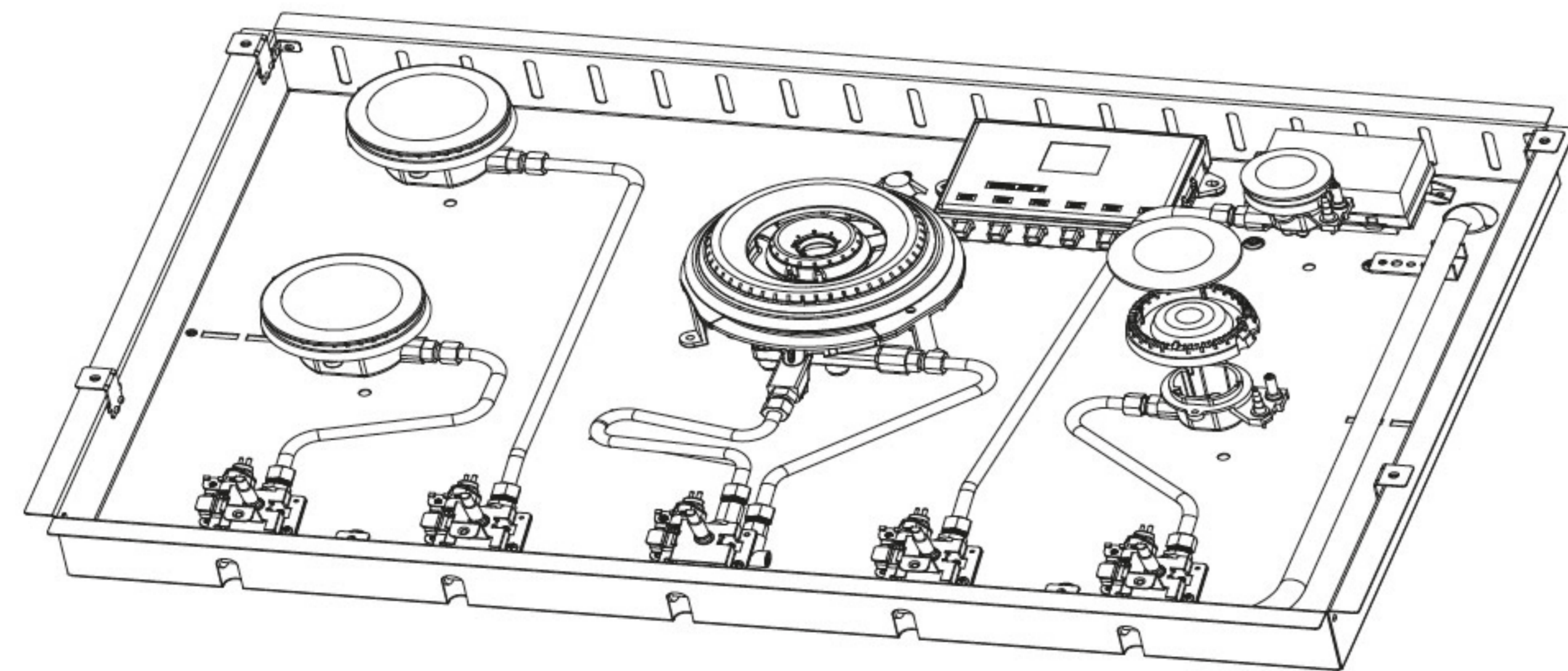


Step 5: Disassemble the panel

Using Phillips screwdriver unscrews the 15 panel screws, then lift off the panel.



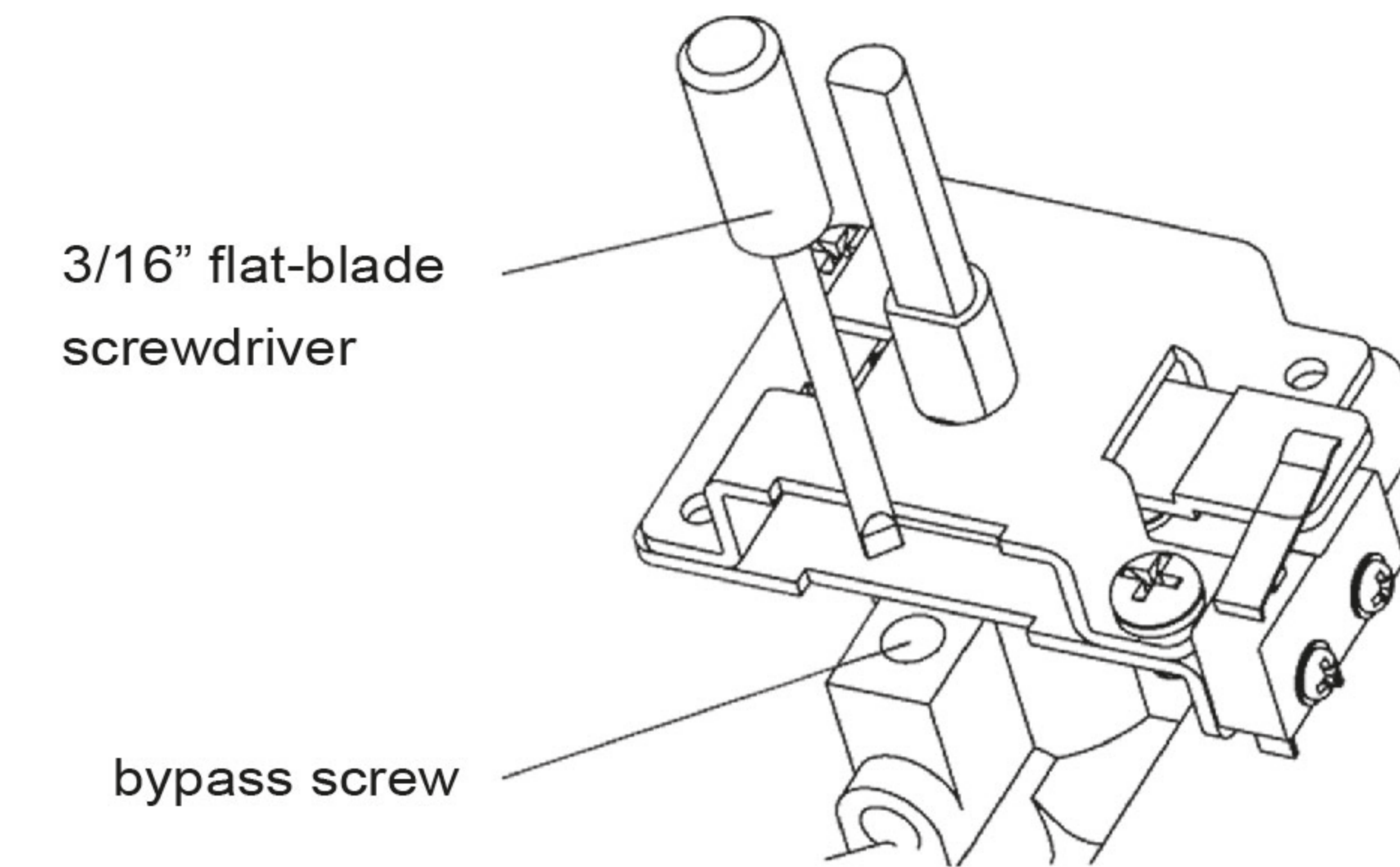
Step 6: Put the burner heads and burner caps into burner manifold cup.



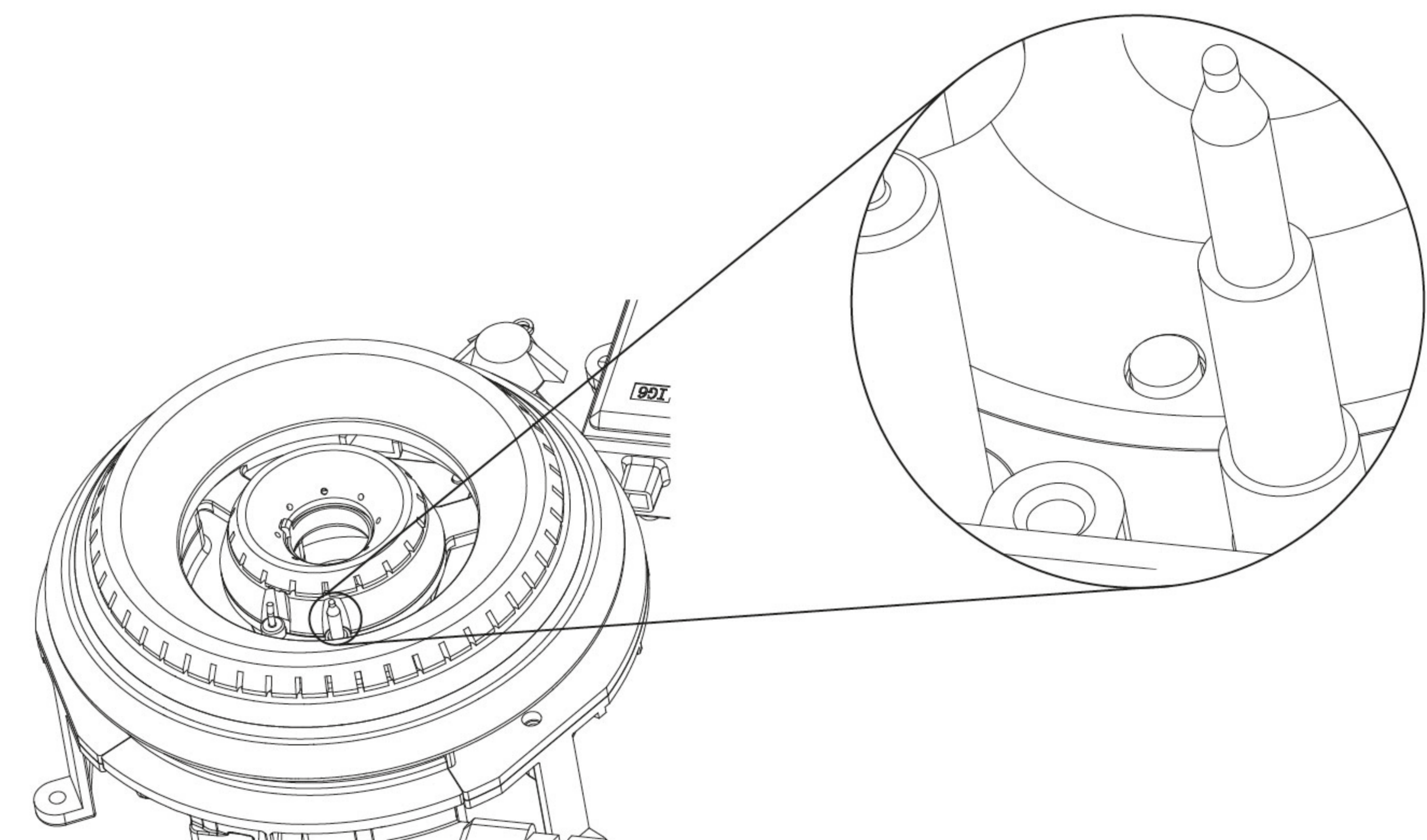
LP Conversion Instructions

Step 7: Adjust bypass screw

Put the knobs back to the cooktop, open the gas shut-off valve, and try ignition. Turn the knob into small flame (270°), then use a 3/16" flat-blade screwdriver to adjust the bypass screws clockwise. Make sure that the flame is small enough but will not go out within 1 minute (flame reach the top of the thermocouple). If the flame goes out, then adjust the bypass screws counterclockwise and repeat the test. Use same way to adjust bypass screw for 5 burners.



Thermocouple



Step 8: Put the cooktop panel, burner heads, burner caps, knobs, and grate back into place correctly.