

SD2F-P1X

3-IN-1 In-Sink Dishwasher
Kitchen Sink / Dishwasher / Produce Cleaner

FOTILE offers another innovative One-of-a-Kind appliance known as the SD2F-P1X. Combining a kitchen sink, a dishwasher, and a produce cleaner, the FOTILE 3-IN-1 In-Sink Dishwasher is designed for modern living in compact spaces. The product manages to address more kitchen problems with less space and energy consumption. More importantly, the dishwasher eliminates 99.99% of E Coli Staphylococcus Aureus, and other common bacteria from your dishes and tableware. Best of all, this counter-top mounted design eliminates having to bend over to load and unload dishes like you would with traditional dishwashers.



Features & Benefits of the SD2F-P1X



PERFORMANCE

- Delicate, Normal and Intensive Dishwashing cleaning modes
- 3 Produce cleaning modes based on type of produce
- Sterilization and total bacteria elimination through 5 washing cycles with steam and pasteurization
- High Heat Convection Drying Process avoids secondary pollution from drying by hand
- Uses less water per wash cycle than a traditional dishwasher
- Washes dishes faster than a traditional dishwasher, 45 min Vs. 90 min



DESIGN

- Unique space saving appliance combining a Kitchen sink, a dishwasher, and a produce cleaner
- Ergonomic Countertop design avoids bending over to load and unload dishes
- Sensitive micro touch button control, operates smoothly even with wet fingers
- Built-In Child Safety lock prevents top door from opening when in use
- 304 Food-Grade Seamless Stainless Steel design prevents rust and any other dirt or soap build-up



INNOVATION

The FOTILE 3-IN-1 In-Sink Dishwasher combines dishwashing, sterilization and drying in one simple process. This functionality leaves you worry-free of having unsanitary dishes, and lets you enjoy your kitchen with this counter mounted space saving solution. The produce cleaner removes dirt, harmful pesticides, and residues from your produce with Ultra Sonic Turbulence Technology.

SD2F-P1X

3-IN-1 In-Sink Dishwasher
Kitchen Sink / Dishwasher / Produce Cleaner

Technical Specifications	
Wattage(W)	2150 W
Current (A)	9 Amps
Volts (V)	240 V
Frequency (Hz)	60 Hz
Recommended Water Pressure(psi)	20.3psi-145.04psi
Max. Noise Level	58.2dB
Length of Electrical Wire	4ft

Dimensions & Weight	
Overall Appliance Dimensions (LxWxH)(in)	39"x19 5/16"x22"
Height of the Door When Fully Open(in)	16 3/8"
Required Cutout Size (LxWxH) (in)	38"x18 1/8"x≥25"
Package Size(LxWxH) (in)	42 3/4"x24 5/8"x23 7/16"
Gross Weight(lb)	68.5lbs
Net Weight(lb)	48.5lbs

Accessories	
Dishwasher Basket	1-INCLUDED
Produce Basket	1-INCLUDED
Secondary Sink Kit	OPTIONAL
Faucet	NOT INCLUDED

Capacity	
Number of Place Settings *	3

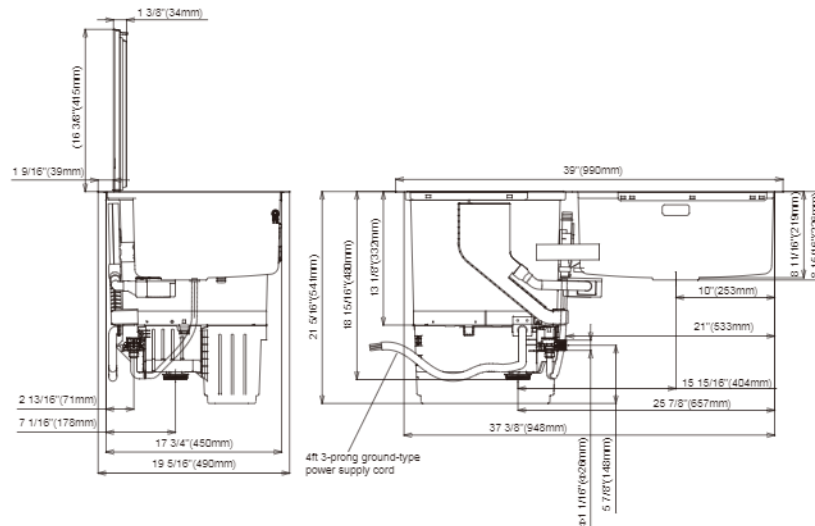
Warranty	
One (1) Year All Parts and Labor Four (4) Years Limited on Dishwasher Motor.	

Washing Mode and Features						
Washing Mode	Dish Washing			Produce Washing		
	Delicate	Normal	Intensive	Delicate	Normal	Intensive
Highest Washing Temperature (°F)	122	158	158	Room Temperature		
Washing Time (min)	20	45	80	8	13	18
Water Consumption(gal/cycle)	1.85	2.40	3.17	Low: 2.91 Med: 3.96 High: 5.02	Low: 3.43 Med: 4.49 High: 5.55	Low: 3.96 Med: 5.02 High: 6.08
Number of Wash Steps	3	5	5	1	2	3
Accommodates Plates Up to	10in			/		
Rack Adjustability	Yes			/		
Fan Assisted Drying	Yes			/		
Concealed Heating Plate	Yes			/		
Water Level	/			3		
Tub Material	Stainless Steel					
Control Type	Touch Control					
Digital Display	Yes					
Audible Alerts	Yes - End of Wash					
Leak Protection	Yes					
Child Lock	Yes					

* 1 place setting consists of a large dinner plate, a small snack plate, a saucer, a bowl, a coffee cup, a drinking glass, a knife, two teaspoons, a dinner fork and a small salad fork.

SD2F-P1X
3-IN-1 In-Sink Dishwasher
Kitchen Sink / Dishwasher / Produce Cleaner

Product Dimensions



Installation Requirements

1. Objects obstructing the functional sink and drain line such as a gas line or gas meter should not be installed in the cupboard.

Hose and equipment		Net Distance from Gas Hose	
		Parallel Lying	Cross Lying
Electrical equipment	Exposed insulated wire or cable	9 7/8" (250mm)	3 15/16" (100mm)
	Exposed wire with voltage less than 1,000V	39 3/8" (1,000mm)	39 3/8" (1,000mm)
	Switchboard or distribution box, electricity meter	11 13/16" (300mm)	Not allowed
	Electrical socket, power switch	5 15/16" (150mm)	Not allowed

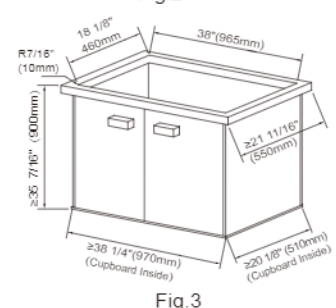
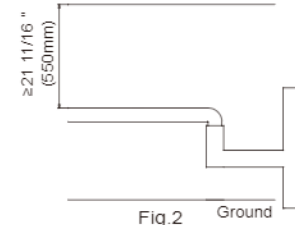
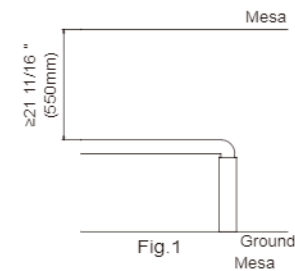
2. The water supply and power socket should be arranged in the cupboard (or the adjacent cupboard).

3. In order to install this Sink Dishwasher, you will need to have 240V/60Hz power supply. The electrical wire should have a diameter greater than 16AWG (1.5mm²) and have a reliable ground.

4. Recommended Water pressure: 20.3 psi - 145.04 psi.

5. Height requirements for drain hose: The height from the top of the installed countertop to the drain hose should be greater than or equal to 21 11/16" (550mm) (Fig.1 & Fig.2).

6. Counter top cut out size and Cupboard Requirements (Fig.3).



Counter top Cutout Opening Size Requirement		
Length	Width	Radius
38"	18 1/8"	7/16"
Cupboard Inside Size Requirement		
Length	Width	Height
≥38 1/4"	≥20 1/8"	≥35 7/16"