

EMG9050

36-in Perimeter Series Range Hood

FOTILE
A BREATH OF FRESH ENGINEERING®



Main Features

Capture Shield Technology

Optimizing with the Coanda Effect for accelerated and even smoke extraction, our powerful 1300 CFM airflow covers 5-6 burners quietly, ensuring efficient ventilation in a quiet cooking environment.

Self-Clean Function

The high-speed impeller ensures comprehensive interior cleaning by eliminating hiding spots for oil residues. Simultaneously, the streamlined exterior, featuring a single-layer oil filter, simplifies the cleaning process for added convenience.

Sync Function with Cooktop*

Seamlessly synchronize range hood and cooktop without the need for a phone or router, offering greater convenience and speed with a stable connection.

Auto Turbo Mode

The built-in sensor monitors cooking fumes in real-time, automatically adjusting the fan speed while controlling the height of the capture shield for optimal performance.

New UI with a Stylish Appearance

The speed settings echo skyline width changes on the control panel, while the dual-color skyline breathes and flashes in automatic mode, crafting a high-end technological ambiance.

Specifications

Style and Design

Material	Tempered Glass & Stainless Steel
Color	Black
Installation	Wall Mount
Operation	Motion + Touch
Delay Shutoff	5 min
Illumination (W)	5W x 1 (LED)
Grease Cup	1 Oversized
Grease Filter	Removable & Dishwasher Safe

Performance

Motor	DC Motor
Speed Setting	2+Auto
Max Equiv. CFM	1300 CFM**
Noise Level (sones)	/
Noise Level (dB)	34.0/44.0 /51.6/54.1
Grease Filtration Rate	94%
Odor Reduction Rate	98%
Self-Clean Function	Yes

Technical Specs

Wattage (W)	310W
Power Supply (V/Hz)	120V/60Hz
Vertical Duct	6" Round

Warranty Summary

Labor	2 Years
Parts	5 Years (Limited)
Motor	Lifetime (Limited)



Intertek

*This feature is available with any FOTILE Rang Hood that features Sync Connect.

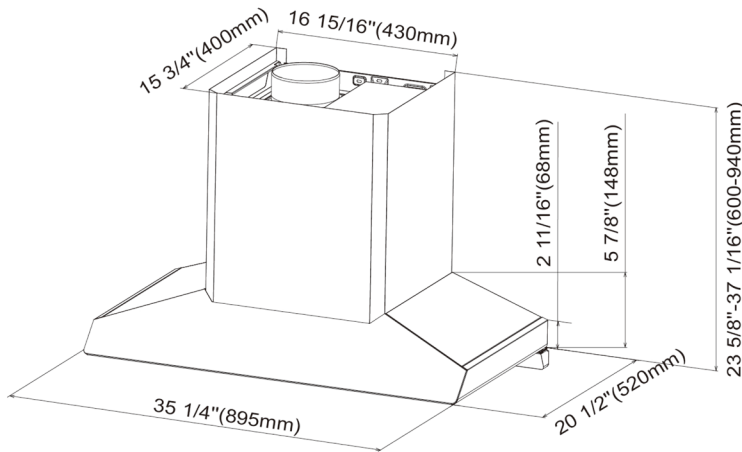
**FOTILE Equivalent CFM is a higher CFM rating due to our filterless technology that combines WhisPower Motors and Capture-Shield design. By utilizing this technology, FOTILE applies the Coanda Effect by accelerating smoke extraction and grease separation, and increasing our Capture Efficiency. This enables FOTILE to cover a larger cooktop surface (7.2 sq.ft.) and achieve a 94% oil filtration rate, and 98% odor reduction rate, keeping your kitchen smoke free and smelling fresh.

EMG9050

36-in Perimeter Series Range Hood

FOTILE
A BREATH OF FRESH ENGINEERING®

Product Dimensions



Product Dimension / Weight

Overall Width (inches)	35 7/16"
Overall Height (inches)	25 7/16"
Overall Depth (inches)	20 1/2"
Net Weight (approx.)	75.6 lbs.
Gross Weight (approx.)	92.1 lbs.

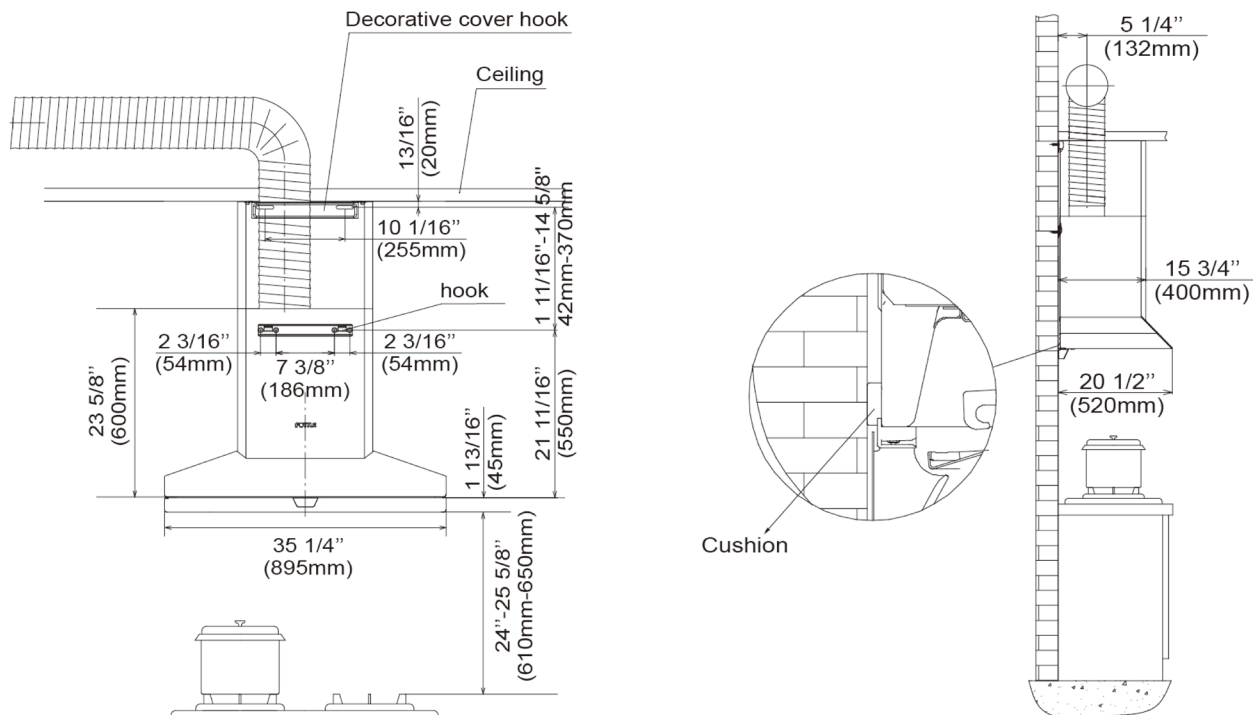
Accessories (Optional)

Ceiling Decorative Cover	9' / 10'
--------------------------	----------



Extension decorative cover for wall-mount installation, suitable for 9' or 10' ceilings

Installation Dimensions



Product installation and cabinet collocation figure diagram

Accessories: To purchase FOTILE accessories and parts, please visit us at ca.fotileglobal.com or call 1(844) 315-0315.

Notes: All height, width, and depth dimensions are shown in inches. FOTILE reserves the absolute and unrestricted right to change product materials and specifications at any time without notice. Consult the product's installation instructions for final dimensional data and other details prior to installation.

Warranties: Please see the user manual or FOTILE website for the statement of limited warranty.

For more information on our entire line of products: visit ca.fotileglobal.com or call 1(844) 315-0315.

©2021 FOTILE Canada. All rights reserved. FOTILE is a registered trademark of FOTILE Group.