

FOTILE

RANGE HOOD

User Manual | EMG7508

Any needs, please contact FOTILE service center.
Some pictures in this manual are sketch map, only
for reference. If there are some discrepancies,
please subject to real object.

Please read carefully about the user manual before using the product.
And keep it well after reading, for future reference.

Dear User, thank you for purchasing the Fotile Range Hood. At Fotile, we manufacture exquisite appliances that are expertly crafted with the finest materials. Before using the Fotile Range Hood, please take some time to read through this Product Manual (manual). It will familiarize you with important safety, operation and maintenance instructions, as well as help maximize your culinary experience.

Before using the Fotile Range Hood, you must follow the instructions, as specified in this manual. Any damage resulting from the improper operation and/or maintenance of the appliance may result in the loss of warranty. The warranty will become invalid, and your warranty application, whether direct or indirect, will not be accepted by authorized service center of Fotile. If you require warranty or post-warranty after-sale service, please contact the local authorized service center of Fotile nearest you.

Your satisfaction with the Fotile brand is important to us. Our after-sales service centers provide assistance in resolving issues with Fotile appliances.

Product model and serial number are required if you need services.

FOTILE America LLC

* Address: 6 Campus Dr, Suite 210, Parsippany, NJ 07054

* Toll Free: 888-315-0366

* Website: us.fotileglobal.com

* Service Mail: serviceusa@fotile.com



FOTILE YouTube



US WeChat Service

FOTILE Toronto Flagship Store

* Address: 8365 Woodbine Ave, Markham, L3R2P4

* Toll Free: 844-315-0315

* Website: ca.fotileglobal.com

* Service Mail: service@fotileca.com



Canada Wechat Official Account



Canada WeChat Service

CONTENTS

Warning and Safety Instructions 2

Usage 8

 Main Technical Specifications 8

 Operation Instruction 8

Cleaning and Maintenance 10

Normal Malfunction and Trouble Shooting 11

Installation 12

 Packing List 12

 Installation Guidance 13

 Product Basic Conditions 16

 Installation Suggestions 16

 Installation Steps 18

 Debugging 20

 Component Name Diagram 21

Features and parameters of products may be modified at any time without notice and may be slightly different from those stated on this User Manual. Please visit the official website of FOTILE for the latest information.

Warning and Safety Instructions

To ensure the safe and efficient use of your FOTILE product, please note the highlighted information in the product manual as follows:

- * **Warning:** Indicating a risk of serious bodily injury or death if precautions are not observed.
- * **Notice:** Indicating possible minor personal injury or product damage if instructions are not followed.
- * **Important:** Emphasizing information of critical importance.

Safety Instructions

Please be sure to read these safety instructions before using the product.

Please be sure to properly keep these safety instructions.

This product is for indoor use only.

To avoid any accidental risks and damage to the range hood, please read this product manual carefully before the installation and use. Only in this way can you operate this product safely and correctly and reduce the risks of fire, electric shock, personal injury, etc. Please properly keep this product manual for future use or for subsequent users.

Warning

● Risk of Electric Shock

A defective appliance may cause electric shock. Never switch on a defective appliance. Unplug the appliance from the mains or switch off the circuit breaker in the fuse box in case of problems, and contact our authorized service center.

- The range hood should be connected to a standard power socket with safe grounding. Midway connection, prolonged electric line or multi-socket wiring may cause electric shock, overheating and, in some cases, result in a fire. Installation of the range hood should be performed by professional electricians in strict accordance with electricity standards and regulations of the local area. Before connecting the rod, turn off the power source and take appropriate measures to prevent auto closing of the power switch.
- In order to prevent electric shock and/or other bodily injuries to persons, do not exceed 125V AC input.
- Do not install the range hood in a bathroom and/or a humid area, as this will significantly increase the risk of electric shock.

- If a wire is damaged or defective, contact an authorized service provider or a qualified technician (provided by FOTILE) to replace the wire.
- Do not change, stretch, knot, pressure or squeeze the wire as any resulting damage can result in electrical and/or fire hazards.
- Prevent water from coming into contact with the range hood's electrical components, such as the motor, switch and connector. Do not rinse the appliance with water. Do not use the appliance if it is wet, as electric leakage and/ or electric shock may occur.
- Do not attempt to change the range hood's internal wiring system. Improper modifications and/or repairs to the internal wiring can result in bodily injuries to persons, electric shock and/or a fire.
- In order to avoid electric shock, remember to turn off the appliance's power source before installation, cleaning and/or maintenance service.
- Avoid using high-pressure detergents and/or steam cleaners on the appliance, as they may result in electric shock.
- Do not touch the plug or switch with wet hands, as an electric shock may occur.

● Grounding Instructions

- This appliance must be grounded. In the event of an electrical short circuit, grounding reduces the risk of electric shock by providing an escape wire for the electric current. This appliance is equipped with a cord having a grounding wire with a grounding plug. The plug must be plugged into an outlet that is properly installed and grounded.
- The grounding-type attachment plug provided with this appliance shall be connected to a grounding-type receptacle installed in accordance with CSA C22.1, Canadian Electrical Code, Part I.
- Improper grounding can result in electric shock.
- Consult a qualified electrician if the grounding instructions are not completely understood, or if doubt exists as to whether the appliance is properly grounded.
- Do not use an extension cord. If the power supply cord is too short, have a qualified electrician install an outlet near the appliance.

● Risk of Fire

- In order to reduce the risk of fire and to properly exhaust air, we recommend duct the air outside. Do not vent exhaust air into spaces within walls, ceilings, attics, crawl spaces and/ or garages.
- In order to prevent the risk of fire, the range hood should be operated and maintained in accordance to the instructions.
- Hot oils may ignite and burn quickly. Never leave hot oils unattended.
- Clean the hood's oil cup at regular intervals, as leftover grease deposits may ignite.
- Never operate the range hood without the filter.
- Never work with naked flames close to the appliance. Do not install the appliance near a heat-producing appliance for solid fuel (e.g. wood or coal) .There must be no flying sparks.

- Avoid cooking with food products that produce flames under the range hood.
- To Reduce Risk of Cooktop Grease Fire:
 1. Never leave the burners work unattended. Overflowing cause smoking and greasy spillovers that may ignite. Heat oils slowly on low or medium settings.
 2. Always turn the hood on during cooking.
 3. Cooking grease may stick on the surface of the kitchen floor, cabinet, vent duct, etc. Better clean regularly to avoid fire risk.
 4. Use proper pan size. Always use cookware appropriate for the size of the pan support.
- To Reduce the Risk of Injury to persons in the event of cooktop fire, observe the following:
 1. Smother flames with lid, cookie sheet, or metal tray, then turn off the burner. Be careful to prevent burns. If the flames do not go out immediately, evacuate and call the fire department.
 2. When the cooking utensil catches fire, switch off the range hood immediately. Effective extinguishing measures must be taken at once, such as covering the open flame with metal cover, turning off the master gas valve and keeping flammable substance from the open flame etc.
 3. Never pick up a flaming pan you may be burned.
 4. Do not use water, including wet dishcloths or towels a violent steam explosion will result.
- Use an Extinguisher Only If:
 1. You know you have a class ABC extinguisher and you already know how to operate it.
 2. The fire is small and contained in the area where it started.
 3. The fire department is being called.
 4. You can fight the fire with your back to an exit.
- Risk of Injury
 - This appliance is not intended for use by persons (including children) with reduced physical, sensory or mental capabilities, or lack of experience and knowledge, unless they have been given supervision or instruction concerning use of the appliance by a person responsible for their safety. Children should be supervised to ensure that they do not play with the appliance.
 - The range hood may have sharp edges. Be careful to avoid cuts and abrasions during installation and cleaning. Do wear qualified protective gloves.
 - The accessible parts become very hot when in operation. Never touch hot parts. Keep children at a safe distance.
 - Do not touch lamps during or soon after operation. Burns may occur.

- Do not insert your limbs and/or foreign objects into the impeller while the range hood is in operation, as that action might cause injury.
- This appliance is not intended for operation with an external clock timer or a remote control.
- Incorrect repairs are dangerous. Repairs may only be carried out and damaged power cables replaced by one of our trained aftersales technicians.
- If any abnormalities and/or defects occur while operating the range hood, immediately turn off the appliance and unplug the appliance from the mains or switch off the circuit breaker in the fuse box. Then, contact our authorized service center. Abnormal operation and defects may cause hazardous situations, such as electric shocks and fires.
- This product contains chemicals known to the State of California to cause cancer, and birth defects or other reproductive harm. For more information, please go to: www.P65Warnings.ca.gov
- Risk of Suffocation
 - Packaging material is dangerous to children. Never allow children to play with packaging material, which may cause suffocation. Keep all packing material out of proximity to children. Please remember that packaging materials should not be treated as toys.
- Risk of Death
 - Risk of poisoning from flue gases that are drawn back in. Always ensure adequate fresh air in the room if the appliance is being operated in exhaust air mode at the same time as room air-dependent heat-producing appliance is being operated. Exhaust gases through the flue (chimney) of fuel burning equipment to prevent back drafting. FOTILE is not responsible for injuries caused by improper and/or incorrect operation of the range hood.

Notice

- When applicable local regulations comprise more restrictive installation and/or certification requirements, the aforementioned requirements will prevail, and installation personnel must conform to these requirements.
- The operating temperature of the range hood should not exceed 104 °F (40°C).
- Please do not place anything on top of the product. Anything placed on top may fall off or incline. For example, if you place seasoning bottles on top, the inclination may cause liquid to flow inside the product, resulting in damaged electrified components and therefore unnecessary risks. Our company will not bear the responsibility for free repair in case of product damage due to the above reason.

- Clean the oil cup frequently to prevent overflow. The resulting grease is inedible! Please do not place flammable materials in the oil cup, such as plastic wrap, paper towels, etc.
- When cutting or drilling into the wall or ceiling, be careful not to damage electrical wiring, water pipes, gas lines, or other hidden utilities.
- Adhere to the heating equipment manufacturer's guidelines and safety standards, such as those published by the National Fire Protection Association (NFPA), the American Society for Heating, Refrigeration and Air Conditioning Engineers (ASHRAE) and the local code authorities. Meanwhile, conform to the safety standards issued by such administrative departments as fire department.
- When gas burners are in operation without any cookware placed on them, they can build up a lot of heat. A ventilation appliance installed above the cooker may become damaged or catch fire. Only operate the gas burners with cookware on them.
- Adhere to the voltage and frequency settings listed in this manual to avoid possible damages to the range hood.
- Please use standard accessories provided by our company to prevent the range hood from falling down accidentally. The hole drilled in the wall should precisely match the size of the expansion pipe, otherwise, the range hood may loose and fall down.
- Tempered glass is applied to the products of the company and the tempering treatment of the glass determines the extremely little possibility of spontaneous explosion. If the occurrence of spontaneous explosion is not due to improper use, our company promises free replacement of the accessories. The possibility of tempered glass breaking can be significantly increased in the following situations, which should be avoided: For instance, hitting the glass, especially the corners of the glass, with cooking utensils or other hard objects; The glass is impacted when you open a cabinet door around the Range Hood; Put the glass in an extremely hot or cold environment or an environment where heat and cold are excessively alternated.
- Unauthorized modification of this product can lead to risks.
- This equipment has been tested and found to comply with the limits for a Class B digital device, pursuant to Part 15 of the FCC Rules. These limits are designed to provide reasonable protection against harmful interference in a residential installation. This equipment generates, uses and can radiate radio frequency energy and, if not installed and used in accordance with the instructions maybe cause harmful interference to radio communications. However, there is no guarantee that interference will not occur in a particular installation. If this equipment does cause harmful interference to radio or television reception, which can be determined by turning the equipment off and on, the user is encouraged to try to correct the interference by one or more of the following measures: Reorient or relocate the receiving antenna. Increase the separation between the equipment and receiver. Connect the equipment into an outlet on a circuit different from that to which receiver is connected. Consult the dealer or an experienced radio/TV technician for help.
- This equipment has been tested and found to comply with the limits for a Class B digital device, pursuant to Part 15 of the FCC Rules. These limits are designed to provide reasonable protection against harmful interference in a residential installation. This equipment generates, uses and can radiate radio frequency energy and, if not installed and used in accordance with the instructions maybe cause harmful interference to radio communications. However, there is no guarantee that interference will not occur in a particular installation. If this equipment does cause harmful interference to

radio or television reception, which can be determined by turning the equipment off and on, the user is encouraged to try to correct the interference by one or more of the following measures:

- Reorient or relocate the receiving antenna.
- Increase the separation between the equipment and receiver.
- Connect the equipment into an outlet on a circuit different from that to which receiver is connected.
- Consult the dealer or an experienced radio/TV technician for help.
- This device complies with Industry Canada licence-exempt RSS standard(s). Operation is subject to the following two conditions: (1) This device may not cause interference, and (2) This device must accept any interference, including interference that may cause undesired operation of the device.

Important

- This appliance is intended for indoor home cooking only; it cannot be used for outdoor cooking. Please use this product only according to the manufacturer's instructions. FOTILE assumes no responsibility if you use it in special environment. Please contact a FOTILE authorized service center if you encounter any problem.
- Check the appliance for damage after unpacking it. If you detect any obvious damage to the product, do not proceed with the installation. Please contact our authorized service center immediately.
- Avoid placing gypsum powder, construction dust, etc. within close proximity of the range hood.
- Operate the range hood only in the manner outlined in this product manual. When operating the range hood, do not leave the appliance unattended. If you have any questions and/or concerns, please contact our authorized service center.
- Operate, clean and maintain the range hood in accordance to the instructions outlined in this manual.
- Clean the metal grease filter according to the instructions.
- The range hood's motor has a thermal overload function, which automatically turns off the motor when it overheats. Once the motor cools down, the range hood will automatically restart. If the motor, continually turns off and restarts, please contact our authorized service center.
- If the range hood has not been in operation for an extended period of time, unplug the appliance.
- Please make sure correct installation and maintenance of the appliance. Installation work and electrical wiring must be done by qualified person(s), in accordance with all applicable codes and standards, including fire-rated construction codes and standards. The installation personnel should be responsible for normal operation of the appliance at the installed position.
- Please install the damper according to the national or local codes if you need.
- For general exhausting only. Do not use this range hood to exhaust hazardous and /or explosive materials or gas.
- The product itself is nonflammable.
- In order to reduce the risk of fire, all exhaust pipes, flues and devices should be nonflammable. Use only metal duct cover and metal duct pipes. Never cover the hood with flammable plastic film or paper.

- Services guaranteed under warranty must be performed by FOTILE certified service provider or personnel. The warranty is not effective for products removed for repair without authorization.
- Please read the specification label on the range hood for further information and requirements.
- Please install a supplementary air device if you install the high-power Range Hood in an airtight room. Due to the configuration of the FOTILE Range Hood, it is recommended for users with an airtight new house to install a supplementary air device. Please comply with relevant regulations to install corresponding supplementary air device if there are relevant regulations in your state or region.
- This product is for use in the U.S. and Canada only.

Usage

Main Technical Specifications

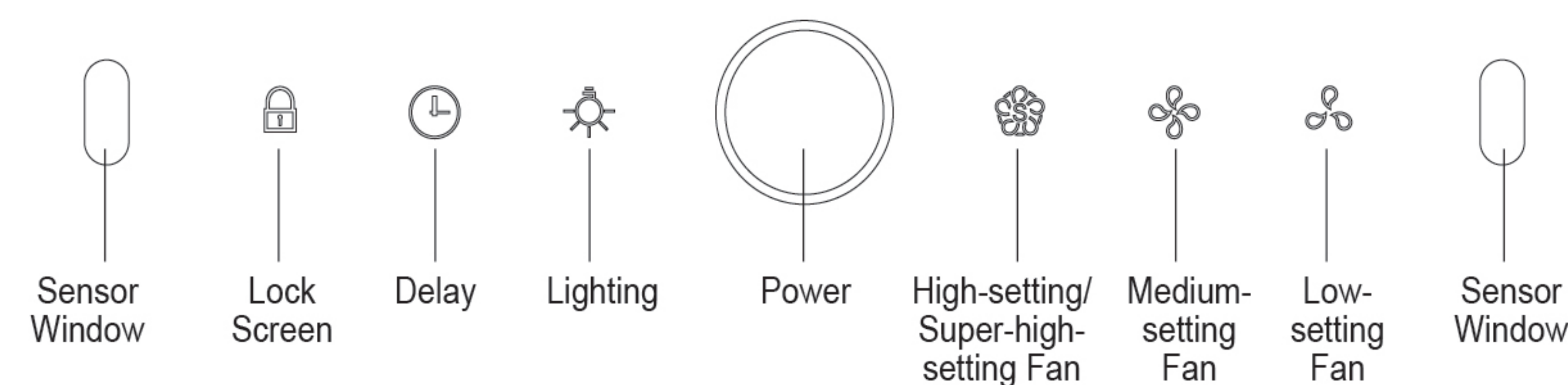
Model		EMG7508
Certification		ETL
Product Size	Width	29 7/8inches(758mm)
	Depth	21 5/16inches(540mm)
	Height	23 7/16inches(595mm)
Voltage/Frequency		120V/60Hz
Input Power		290W
LED Lights		3W×2



Operation Instruction

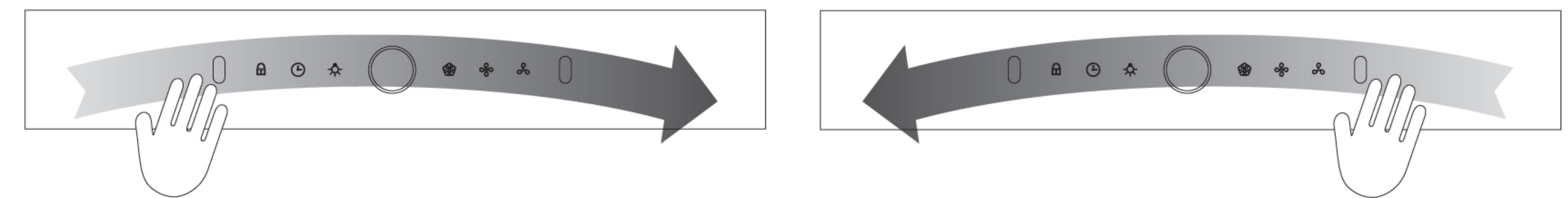
■ Control Interface

1. Fotile Range Hood Control Panel



2. Operation Procedure

(1)GESTURE function: Wave hands quickly through the sensor windows at two sides, the range hood is operated on high-setting and the lights will be turned on; wave hands quickly through the sensor windows at two sides again, all functions of range hood will be turned off, the button indicator will be turned off, and the range hood is off. When switching off, press Lighting and Medium-setting Fan at the same time for 5 seconds to turn on/off the GESTURE function.






(2)POWER button: Once you press the POWER button, the range hood will be activated, the button will fully illuminate and the other buttons on the control panel will display low illumination. Lightly press the POWER button again to turn off the range hood in the working conditions. Once the range hood is off, all functions are off, all buttons will cease to illuminate.



With the exception of the LOCK SCREEN button, the other buttons will only work when the POWER button is active.



(3)HIGH-SETTING/SUPER-HIGH-SETTING FAN: Lightly press the button, and the fan will start up, while the HIGH-SETTING/SUPER-HIGH-SETTING indicator will fully illuminate and the range hood will be operated on high-setting; press the HIGH-SETTING/SUPER-HIGH-SETTING FAN lightly again, the motor will stop, and the HIGH-SETTING/SUPER-HIGH-SETTING FAN indicator will return to low illumination; press the HIGH-SETTING/SUPER-HIGH-SETTING FAN and hold for 2s, the HIGH-SETTING/SUPER-HIGH-SETTING indicator will fully illuminate in green, and the range hood is operated on SUPER-HIGH-SETTING; Press the HIGH-SETTING/SUPER-HIGH-SETTING FAN again and hold for 2s, the range hood can be operated on the HIGH-SETTING and the HIGH-SETTING/SUPER-HIGH-SETTING indicator will fully illuminate; lightly press the HIGH-SETTING/SUPER-HIGH-SETTING FAN again, the motor will stop, and the HIGH-SETTING/SUPER-HIGH-SETTING indicator will return to low illumination.


(4)MEDIUM-SETTING FAN: Press the MEDIUM-SETTING FAN lightly, the fan will start up; while the MEDIUM-SETTING indicator will fully illuminate, the range hood is operated on medium-setting; press the MEDIUM-SETTING FAN lightly again, the motor will stop, and the MEDIUM-SETTING indicator will return to low illumination.


(5)LOW-SETTING FAN: Press the button lightly, the fan will start up, the LOW-SETTING indicator will fully illuminate, and the range hood will be operated on low-setting; press the LOW-SETTING FAN lightly again, the motor will stop, and the LOW-SETTING indicator will return to low illumination.





(6)  LIGHTING: The LIGHTING button turns on the lights. Once pressed, the  button will fully illuminate. Press the button again and the light will turn off and the  LIGHTING indicator will return to low illumination.

(7)  DELAY: Press the key lightly while the range hood motor is working, the  delay indicator will fully illumination, and a two-minute delay is activated; 2 minutes later, all functions will turn off, the range hood will turn off.

During the delay, if you press the DELAY  button lightly once, the delay will be stopped, the  delay indicator will return to low illumination, and the range hood will remain the current working state.


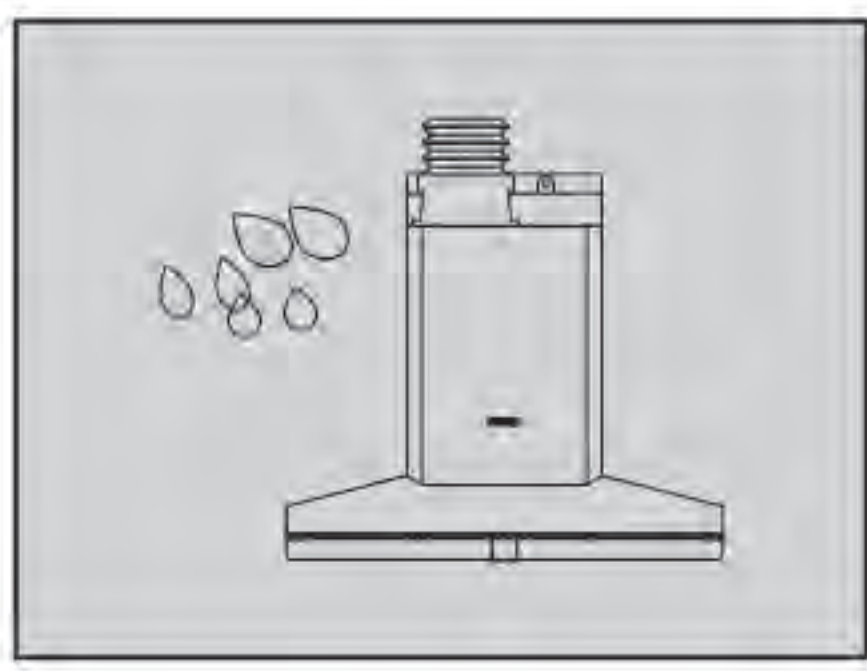

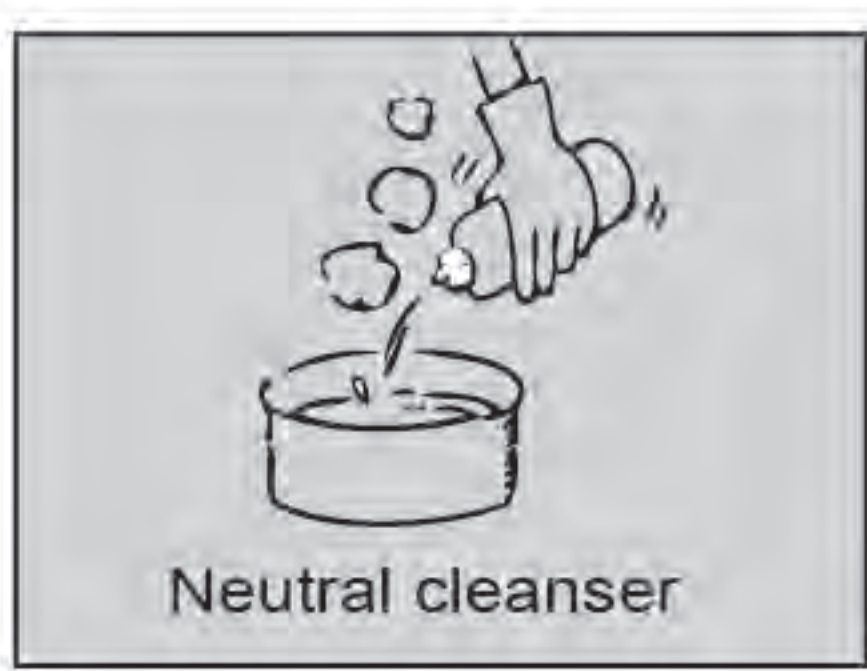

Lightly press the any control panel button other than the DELAY button once during the delay to exit the delay, the  DELAY indicator will return to low illumination, and the function of the pressed button operates.

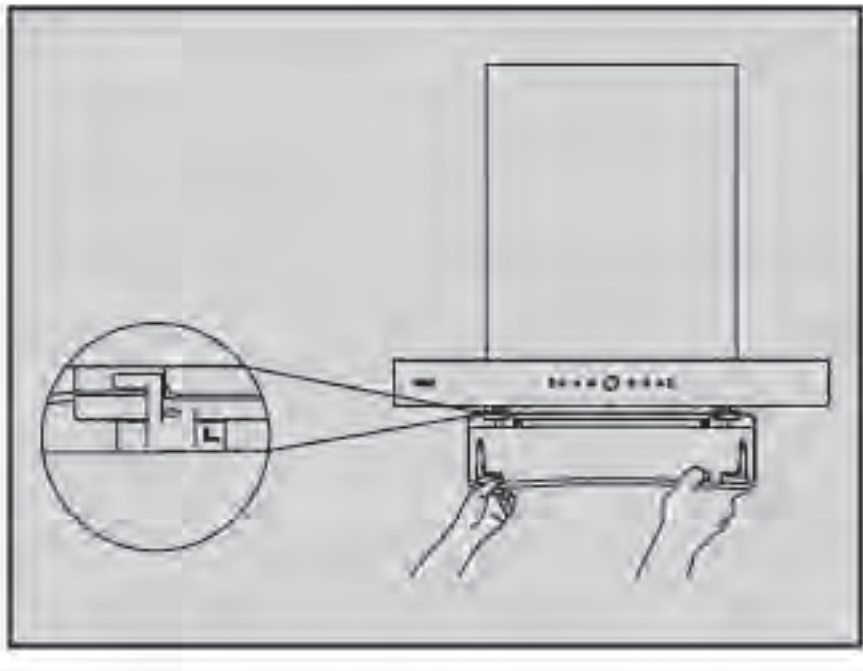
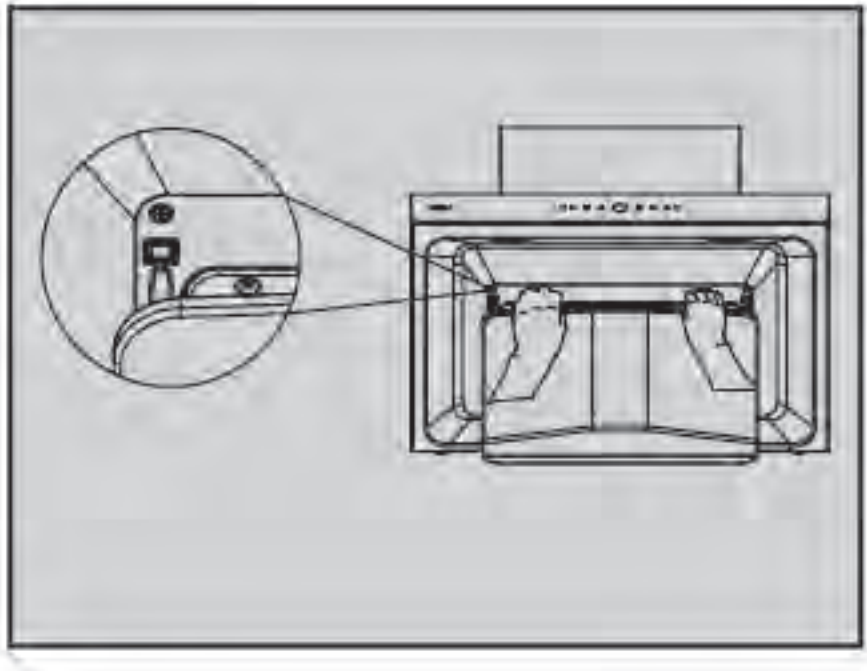
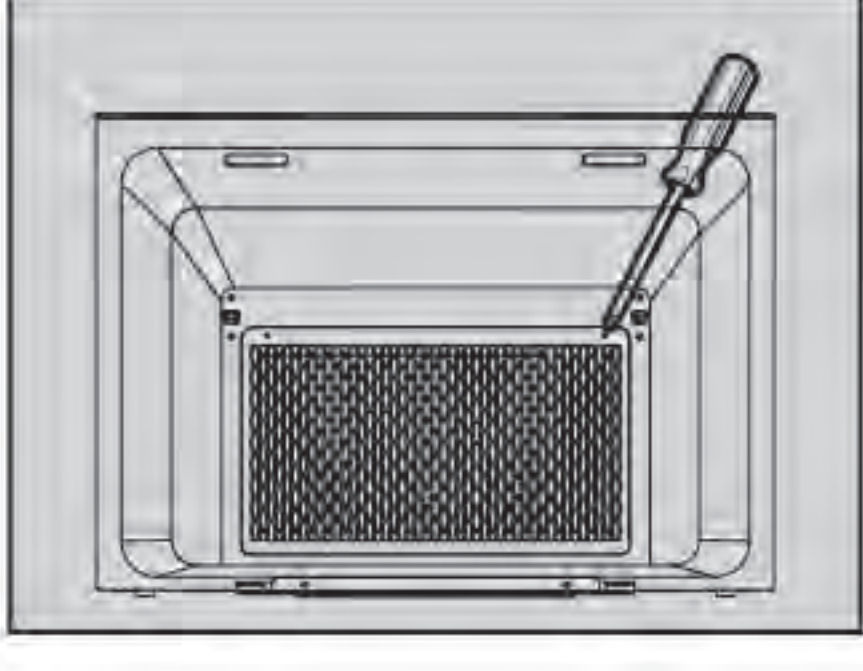
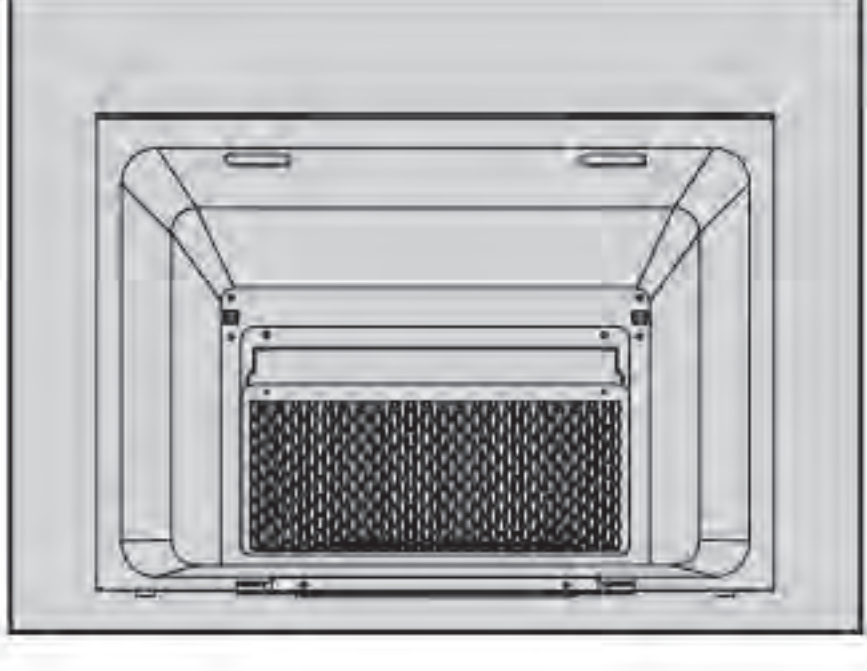
When the range hood is not working, the DELAY button  is not working, and if the button is pressed, an alarm sound will engage.


(8)  LOCK SCREEN button: Once pressed and held  for 2 seconds when the range hood fan is not operating, you will hear a “beep” sound, the  LOCK SCREEN button will fully illuminate, all buttons will be locked, and any pressing will be invalid; in order to unlock the control panel, you must press and hold the LOCK SCREEN button  for another 2 seconds.

When the range hood fan is in operation, the LOCK SCREEN button is not working, if the button is pressed, an alarm sound will engage.

Cleaning and Maintenance

	<p>1. Cut off the power before cleaning.</p>		<p>2. All electric parts, include motor, switch, etc. should be away from water.</p>
	<p>3. Please don't clean the surface with rough material like steel wire ball, brush or coarse cloth, etc. It will greatly scratch the surface.</p>	 Neutral cleanser	<p>4. Please don't clean with gasoline, acidic substance, benzene, solvent and other chemical agents. If you need to clean, please use neutral cleanser, and wipe dry the appliance surface by soft cloth after cleaning.</p>
 Wet cloth	<p>5. If the stainless steel panel is stained with salty liquor, disinfectant, bleaching powder and other cleanser, please wipe it by wet cloth at once and dry it by dry cloth.</p>		

		<p>6. First, grasp the front edge of the wing plate with both hands, flip it downward to make the wing plate claw detach, then flip it downward by a certain angle, and finally take out the wing plate with both hands holding it smoothly.</p>
		<p>7. Drag the oil screen with the left hand and loosen the two screws that secure the oil screen with a Phillips screwdriver in the right hand to remove the oil screen.</p>

-  a. Please cut off the power first before cleaning and replacing components so as not to get an electric shock.
- b. Please wipe surface of range hood (surface of air inlet net and back of smoke baffle shield) and close smoke baffle shield after using range hood every time.
- c. Use type lamp is self-ballasted fluorescent reflector lamp - Integral induction type ballast.
 - 1. Max wattage: 3W
 - 2. Voltage range: 12V
 - 3. Dimensions: width 2 7/8"(72mm)/depth 3/4"(19mm)/height 7/8"(21mm)

Normal Malfunction and Trouble Shooting



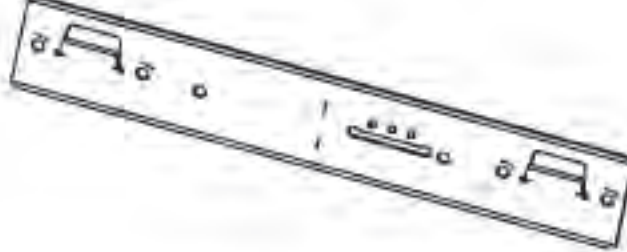
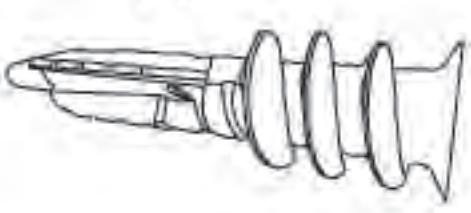
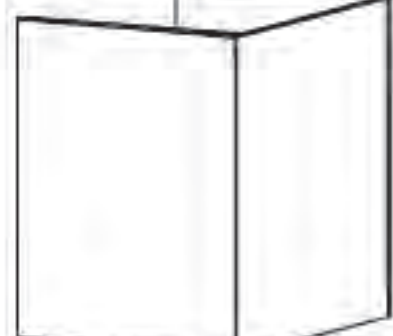

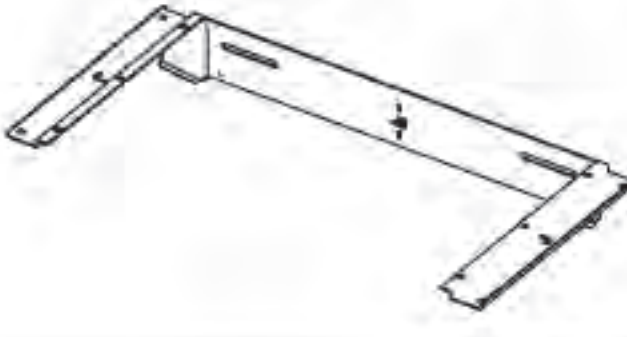



Malfunctions	Possible reasons	How to check
Range hood can't work, light can't lighten	Haven't connected with power supply	Check whether the plug is well inserted or not Check whether there is electricity or not in the plug
Motor can working, but light can't lighten	LED light is damaged	Replace LED light (done by professional people)
There is machinery shaking noise	Screw is loosed	check whether the surface screws are tightened or not
Suction power is weak	Too long distance between range hood and stove	Lower the range hood installation height (done by professional people)
	Too much ventilation near the range hood leads to strong convection	Close some doors and windows

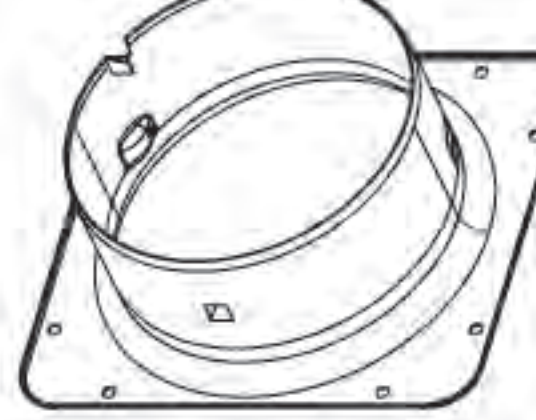


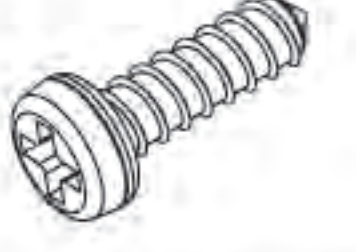
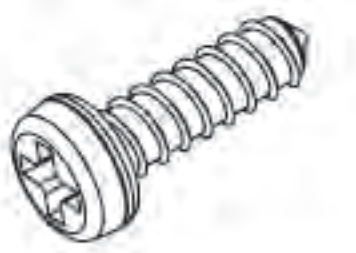
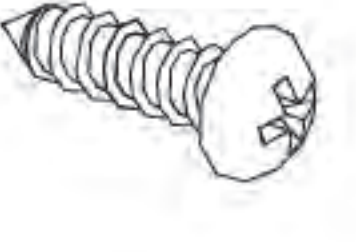
- a. Change the LED light: please contact FOTILE after-sale service center.
- b. If the range hood still can't work after getting rid of the above malfunctions, please contact FOTILE service center.
- c. The following information is required for the warranty period:
 - 1.Date of purchase
 - 2.Product model
 - 3.Serial number
 - 4.Relevant vouchers for purchase
- d. The ventilator shall be not allowed to be repaired by any party other than Fotile's appointed technicians. Otherwise it may cause serious consequences and exempt the product from warranty.
- e. The following circumstances do not fall into the scope of free warranty, and a fee will be charged for repair.
 - 1.Damage resulting from improper handling, installation, use, maintenance and safekeeping conduct-ed by customer.
 - 2.Failure and damage caused by using the product beyond the normal operating conditions.
 - 3.The product installed, dismantled or repaired by customer or any party other than Fotile's appointed service staff or agency.
 - 4.Discrepancy between the information on the purchase voucher and the warranty card and the product.
 - 5.Product damage caused by force majeure (such as natural disaster and war, etc.).
 - 6.Product failure or damage arising from use not in conformity with the "instructions".

Installation

Packing List

Standard Configuration		Standard Configuration	
Product 	1	Expansion Tubes for Tiles φ1/4"×1 5/16"(φ5.3×32mm) 	7
bracket 	1	Expansion Tubes for Plasterboards φ3/16"×1 5/8"(φ4×40mm) 	4
Decorative Cover 	1	Hook Screw #8×1 7/16"(ST4.2×36mm) 	7
Decorative Cover Hook 	1	Wood Screws #10×2 9/16"(ST5×65mm) 	4
Metal Sealing Gasket 	1	Cruciform-slot Pan-head Thread-forming Screw #8×3/4"(M4×18mm) 	8

Standard Configuration	
Operation Manual 	1
Warranty Card 	1
Wing-like Plate Subassembly 	1
Metal Outlet Housing 	1

Standard Configuration	
Cruciform-slot Pan-head Thread-forming Screw #4×3/4"(ST2.9×19mm) 	2
Cruciform-slot Large-brazier-head Thread-forming Screw #4×1/4"(M4×6mm) 	2
Screw for exhaust duct #4×3/8"(ST3.9×9.5mm) 	4

Installation Guidance

To ensure the safe and efficient use of your FOTILE product, please note the highlighted information in the product manual as follows:

- * **Warning:** Indicating a risk of serious bodily injury or death if precautions are not observed.
- * **Notice:** Indicating possible minor personal injury or product damage if instructions are not followed.
- * **Important:** Emphasizing information of critical importance.

Safety Instructions

Please be sure to read these safety instructions before using the product.

Please be sure to properly keep these safety instructions.

This product is for indoor use only.

Warning 

- In order to reduce the risk of fire, electric shock, or injury to persons, please carefully read the following:
 - The installation and wiring of the appliance should only be carried out by a professional electrician in accordance with current national or local electric safety regulations, including fire-rated construction. Non-professional personnel should not conduct installation. Proper installation is the responsibility of the installer. Product failure due to improper installation is not covered under the FOTILE warranty.
 - Please use standard installation equipment and tools provided by FOTILE to ensure safe installation. Make sure to use the expansion tube and expansion bolt provided by our company, in case the range hood falls down accidentally. The hole drilled into the wall should precisely match the size of the expansion tube, otherwise the range hood will not be properly secured to the wall and may fall down.
 - The range hood should be connected to a standard power socket with safe grounding. The midway connection, prolonged electric line or multi-socket wiring may cause electric shock, overheating and even fire. Power off before wiring and make sure proper measures have been taken to avoid unexpected connection.
 - During the installation, switch off the circuit breaker in the fuse box during installation. If the supply cord is damaged, it must be replaced by a special cord or assembly available from the manufacturer or its service agent.
 - The appliance should only be installed, removed and maintained by qualified technicians to prevent risks like electric shocks, falling or fires from occurring.
- Risk of Injury:
 - Unplug the appliance from the mains or switch off the circuit breaker in the fuse box before installation, cleaning, maintenance and repair in order to avoid electric shock.
 - The range hood may have sharp edges. Be careful to avoid cuts and abrasions during installation and cleaning. Do wear qualified protective gloves.
- Warning Before Installation
 - Prior to installation, ensure that the exhaust outlet is free of debris, as they may damage the range hood.
 - A straight and short ducting run will ensure high performance of the range hood.
 - A curving and long ducting run should be avoided, as it will lower the performance of the range hood.
 - Strictly seal the connection between the duct and duct hole with duct tape. Ensure that the connection between the duct and the duct cover is secure, and seal it with aluminum tape.

- A small duct hole will lower the performance of the range hood. Therefore, it is highly recommended that your duct hole equal to or larger than 6"(150mm) of the size.
- The bolts used in this product are metric-size bolts, please do not apply any unqualified bolts.

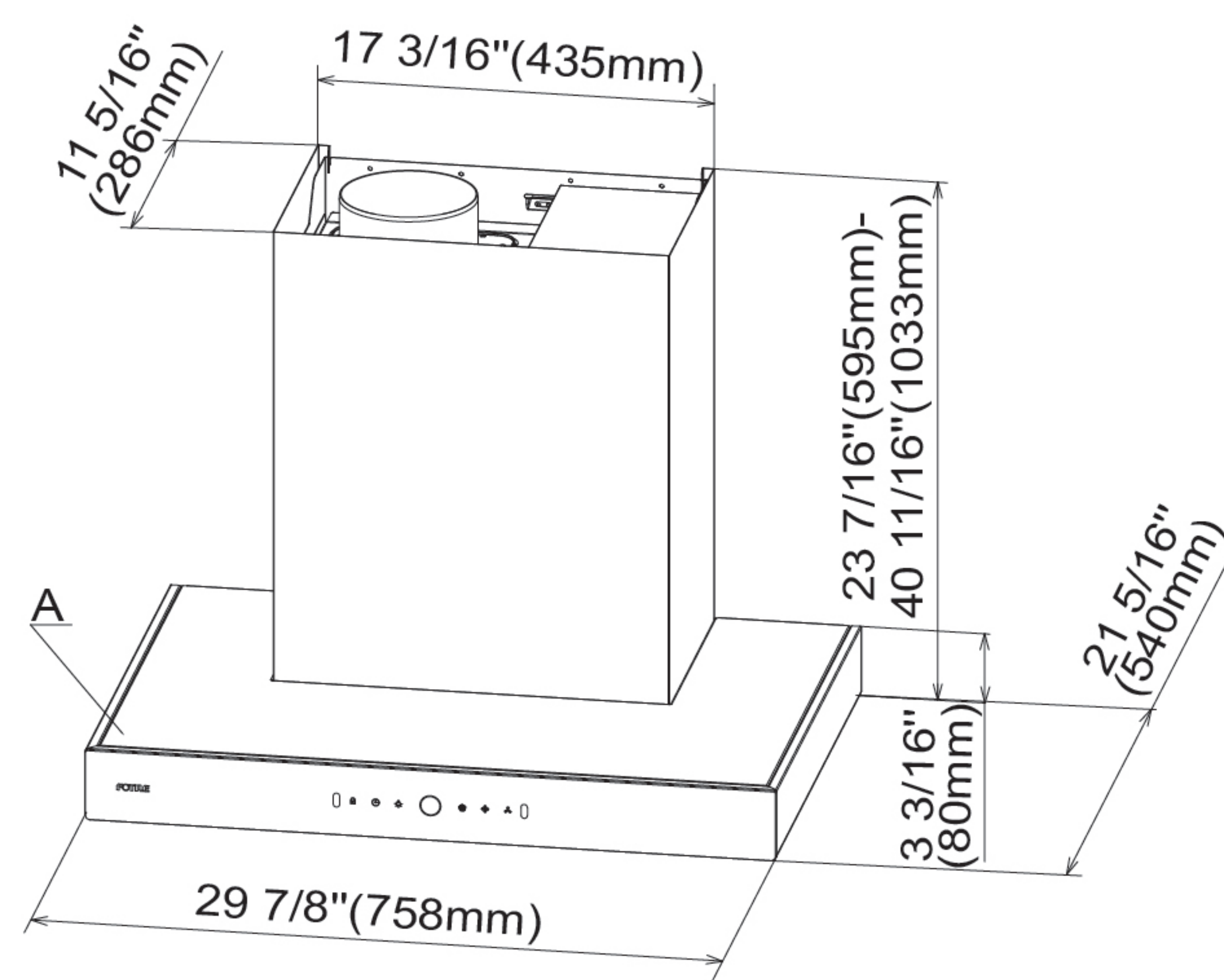
Notice 

- Please carefully read all instructions prior to installation. Please give special consideration to the following items:
 - If you are renovating your kitchen, be careful to not expose the exterior of the range hood. Building materials, dust, paint, coating, and gases will corrode and tarnish the surface of the range hood. It is recommended that you install the range hood after all renovations are completed.
 - If you need to remove your gas burner before installation, please turn off the main gas valve first.
 - Do not connect the range hood duct to a duct used to exhaust hot air or fumes from another appliance.
 - Two installers are recommended due to the large size and heavy weight of the range hood. Since the installation is complex and the appliance is heavy, professional installers are required to install the appliance as outlined in this manual.
 - After the appliance fixed, the plug should be accessible.
 - Make sure to keep the appliance horizontally.
 - Ensure that the appliance functions normally after the installation is complete.

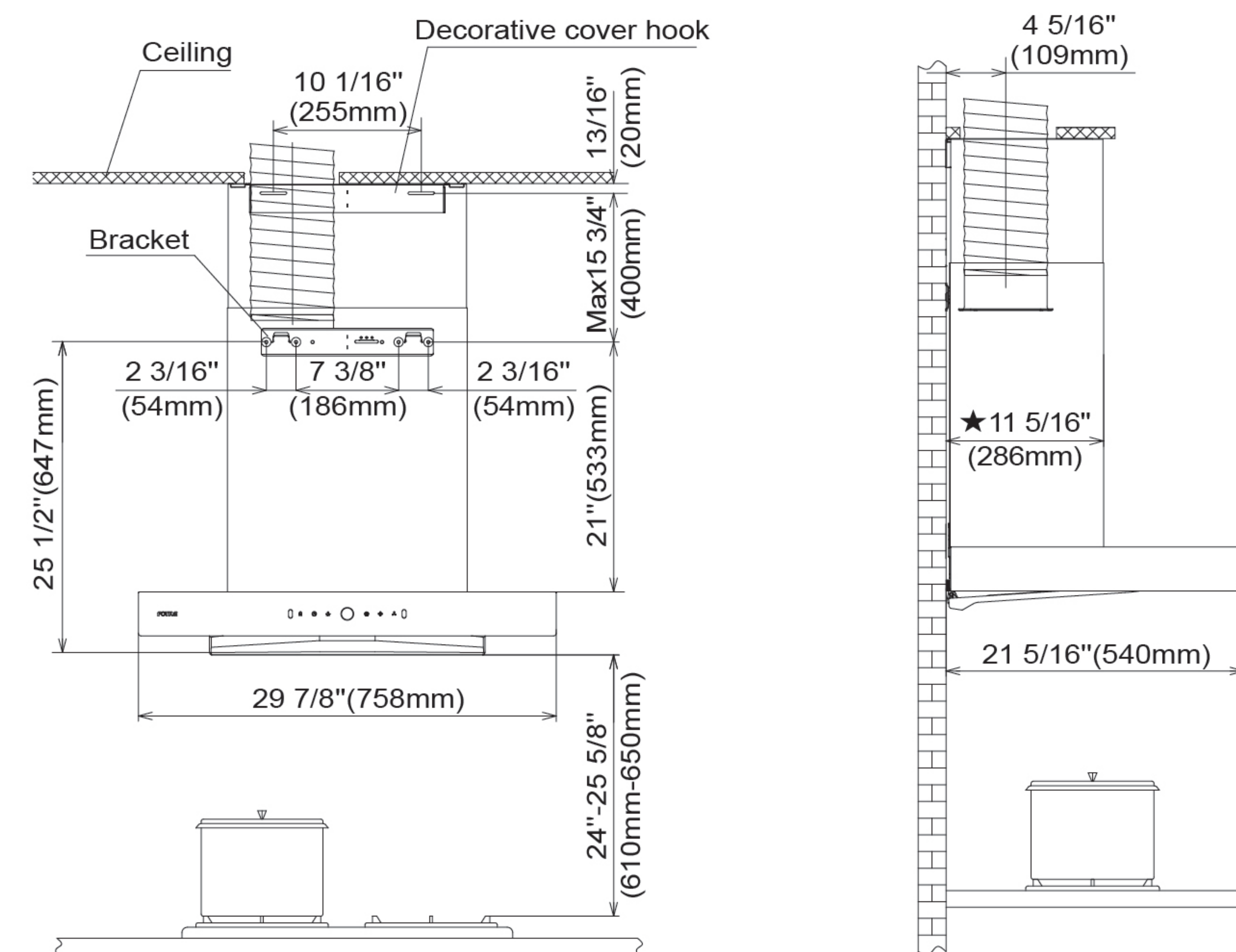
Important 

- Prior to installation, please read the FOTILE Range Hood Installation carefully and save it for the local inspector's future reference.
- This appliance must be installed in accordance with National Electrical Codes, as well as all state, municipal and local codes.
- The appliance must be equipped with safe circuit breaker and installed with safe grounding.
- The correct voltage, frequency and amperage must be supplied to the appliance according to the proper voltage, frequency and amperage ratings listed on the product rating plate.
- This installation must be completed by FOTILE authorized service center, or certified installers.
- Please record the model and serial number before installing the range hood. Position of plaque can be referred to in figure A as follows:

Product Basic Conditions



Product Basic Conditions

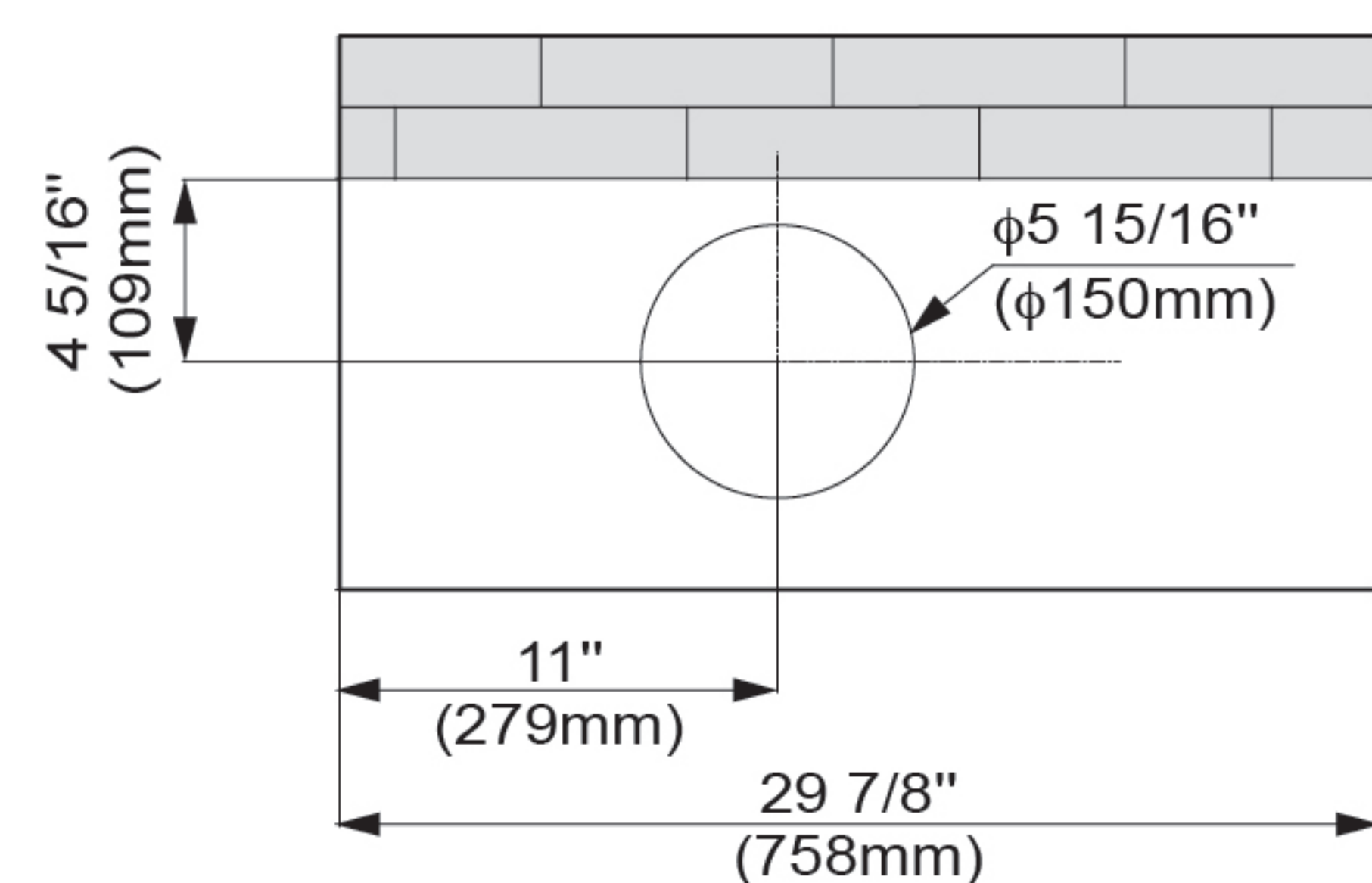


Product installation and cabinet collocation figure diagram
 (★ is the distance from the wall)

Installation Suggestions

Installation Diagram of Hoods

Opening size of the top cupboard or ceiling:



The height for installing the range hood (i.e. the distance between the bearing surface of cooking appliance on the stove and the lowest part of the range hood) must not be less than 24" (610mm). This should be considered when the installation instructions for gas stove specify a large installation distance. In order to ensure the effect of oil fume suction, please install the range hood within the recommended height for installation. If the actual height for installation exceeds the recommended height, the product's oil fume suction effect may be affected to a certain extent. If relevant local laws specify the height for installation of range hood, it is recommended to comply with the laws accordingly.

Preparation before installation

1. Warning: Please don't make sundries into exhaust pipe to avoid damaging the range hood. Estimate the exhaust pipe position. A straight and short exhaust pipe makes smoke extraction more smooth, please refer to installation diagram. The joint between exhaust pipe and wall hole should be sealed with tape, and ensure firm connection between exhaust pipe and exhaust cover. Too small wall hole will affect smoke extraction, therefore, please broaden the wall hole to fit exhaust pipe size under safety condition.
2. Tool preparation
 Please prepare the following tools before range hood installation (include but not limited to the following tools).

(1) Impact electric drill (with drillbit of $\phi 3/8"$ ($\phi 8$ mm))	(2) Cross screwdriver
(3) Measuring taper	(4) Gradienter

Installation Steps

1. The electric impact drill shall be equipped with $\phi 3/8"$ ($\phi 8\text{mm}$) impact drill bit.
2. Lift the whole machine out of the packing case, unscrew the 2 screws used for fixing the fan cover on the back of the range hood, and remove the fan cover and decorative cover.
3. Fixing the hook of main body

- (1) If the hole sign is made on the ceramic tile (marble): at the hole sign position, use the electric drill to drill $\phi 3/8"$ ($\phi 8\text{mm}$) holes and embed the ceramic tile expansion tubes $\phi 3/16" \times 5/8"$ ($\phi 5.3 \times 32\text{mm}$), secure the hooks with hook screws $\#8 \times 1 7/16"$ (ST4.2 \times 36mm), and use the level ruler to ensure that the hooks are horizontal;
- (2) If the hole sign is made on the gypsum board: directly use the screwdriver to screw the gypsum board expansion tubes $\phi 3/16" \#1 5/8"$ ($\phi 4 \times 40\text{mm}$) into the wall in the hole sign position, secure the hooks with hook screws $\#8 \times 1 7/16"$ (ST4.2 \times 36mm), and use the level ruler to ensure that the hooks are horizontal.

Note: Two of the screws that secure the hooks of the range hood must be fixed on the wood columns behind the wall.

4. As shown in Fig. 3, use 8 $\#8 \times 3/4"$ (M4 \times 18mm) outlet housing screws to fix the outlet housing and sealing ring on the top of the main body.
5. Lift the main body, hang the hook holes at the back into the hooks, use the level ruler to confirm that the main body is horizontal, and use the fan frame screws $\#4 \times 1/4"$ (M4 \times 6mm) to fix the fan frame and the hooks.
6. Cover the pre-set smoke tube on the outlet housing, and seal the outlet housing and exhaust duct with sealing tape. Plug the power cable of the range hood into the socket and turn on the fan to detect whether there is air leakage.

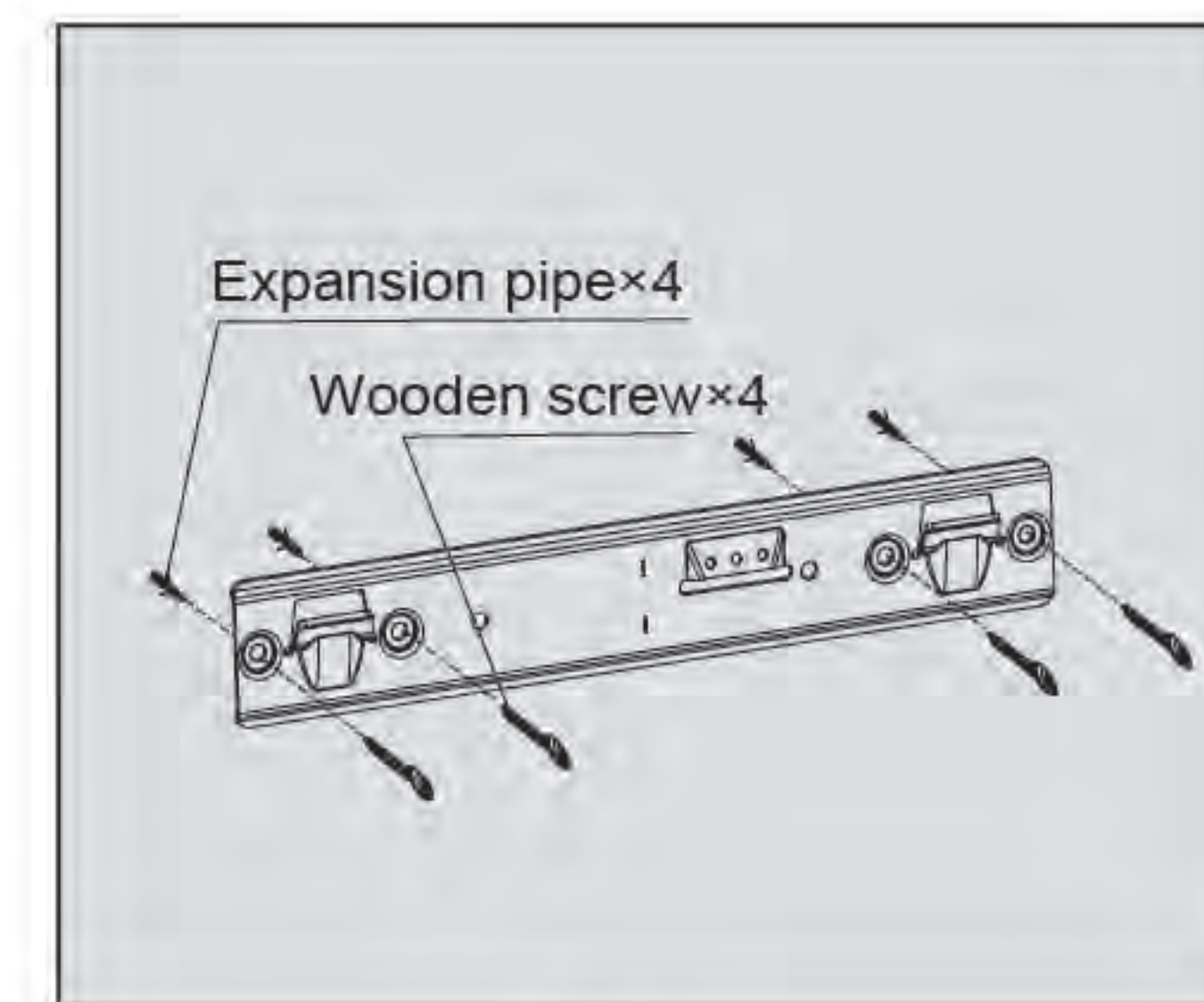
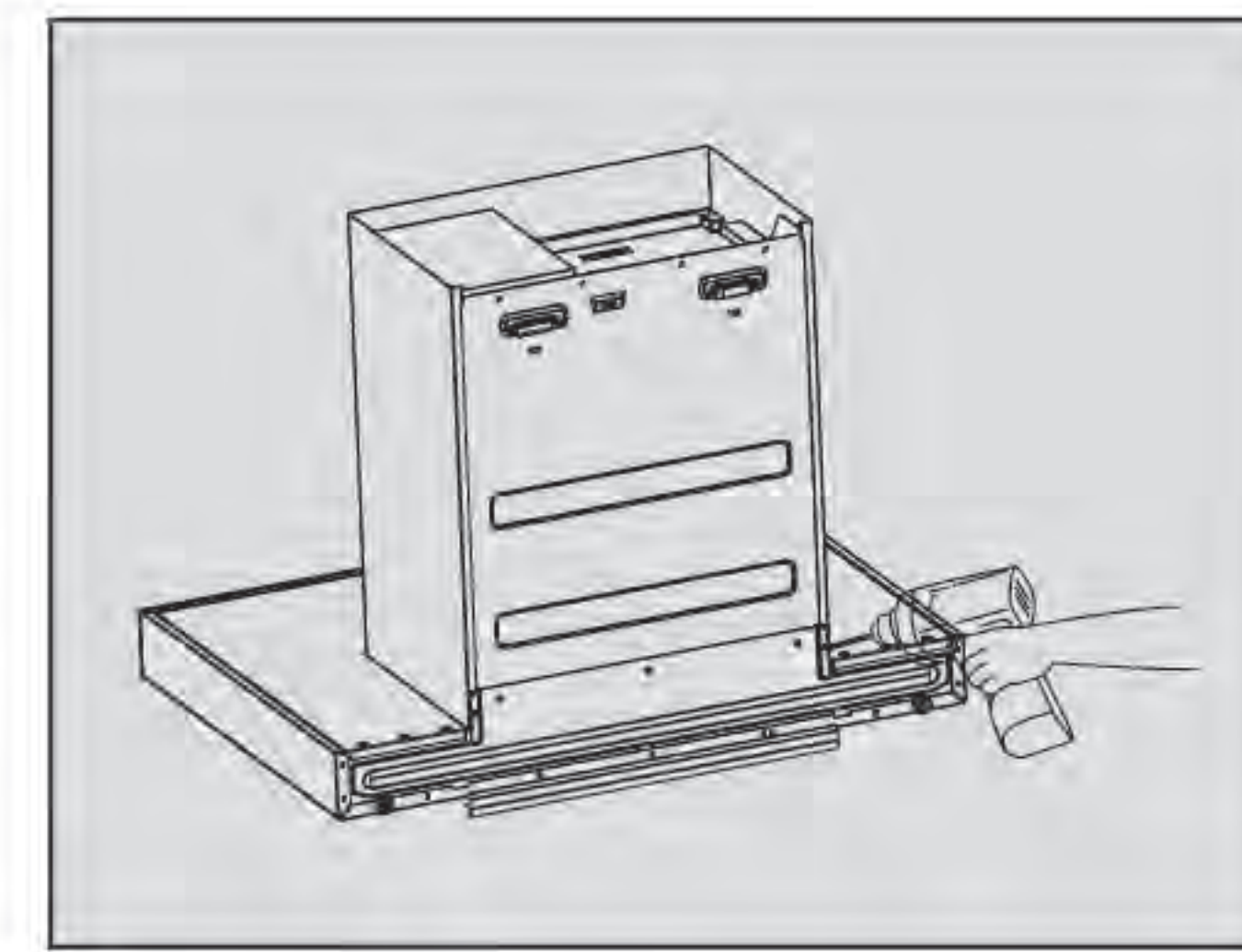


Fig.1

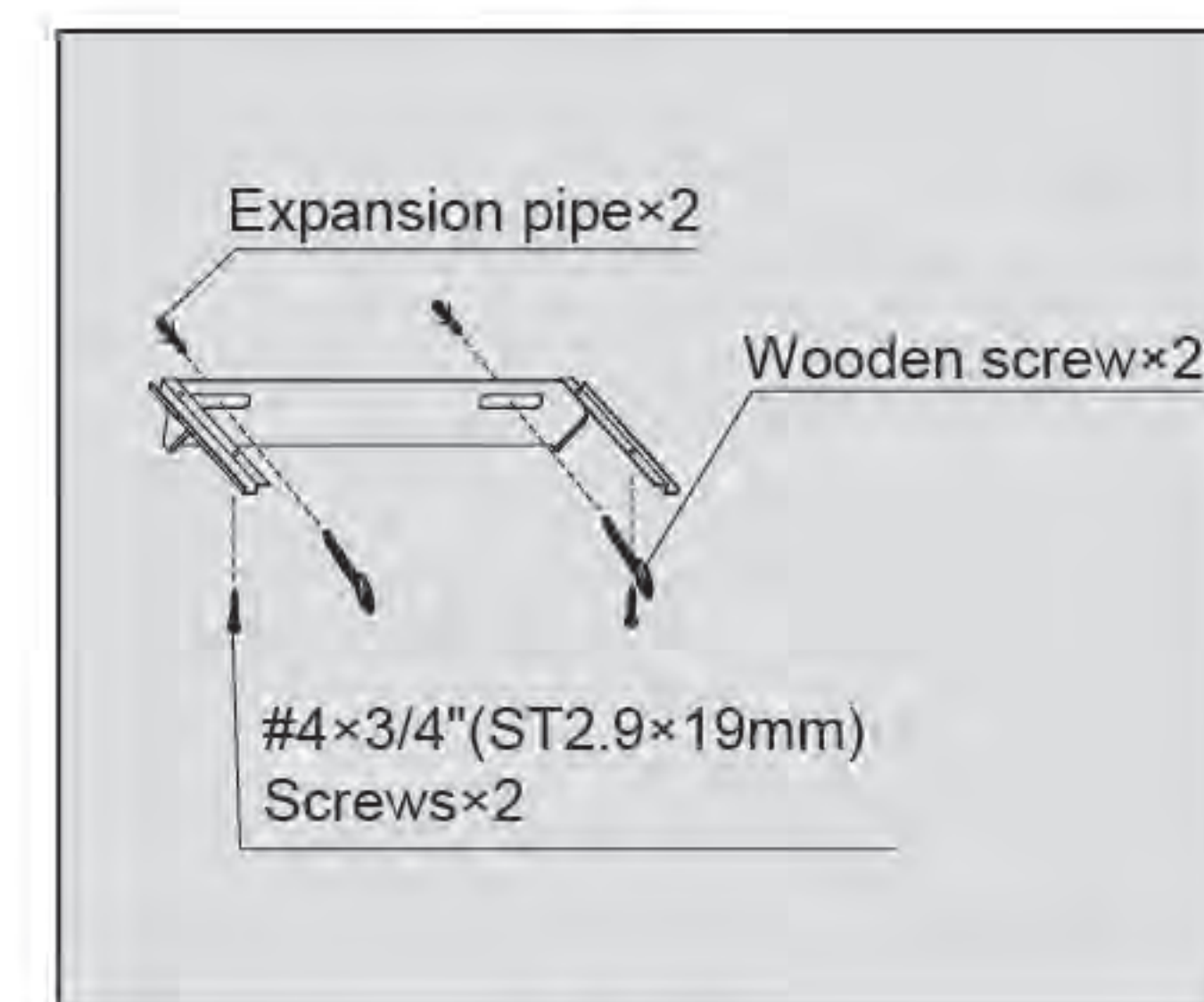


Fig.2

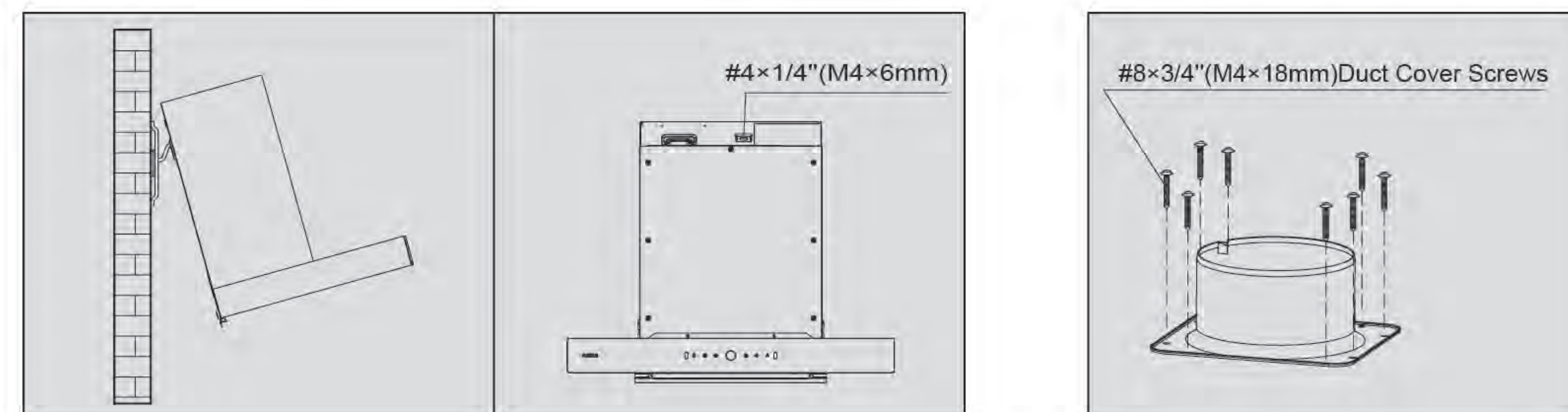
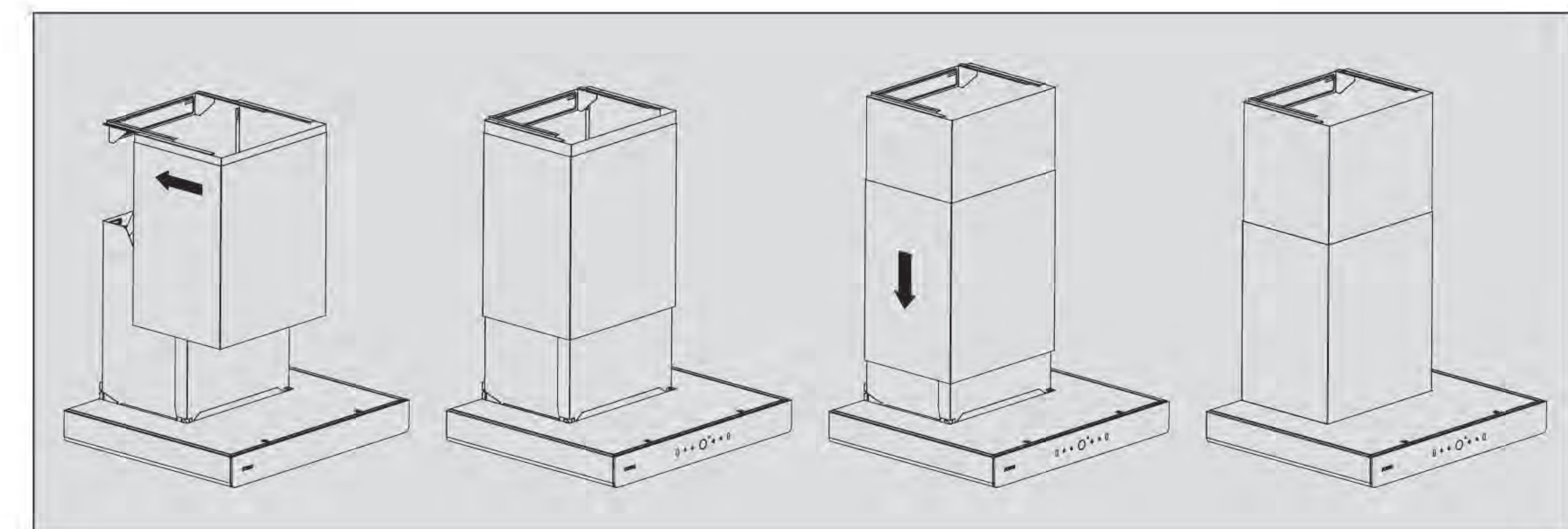
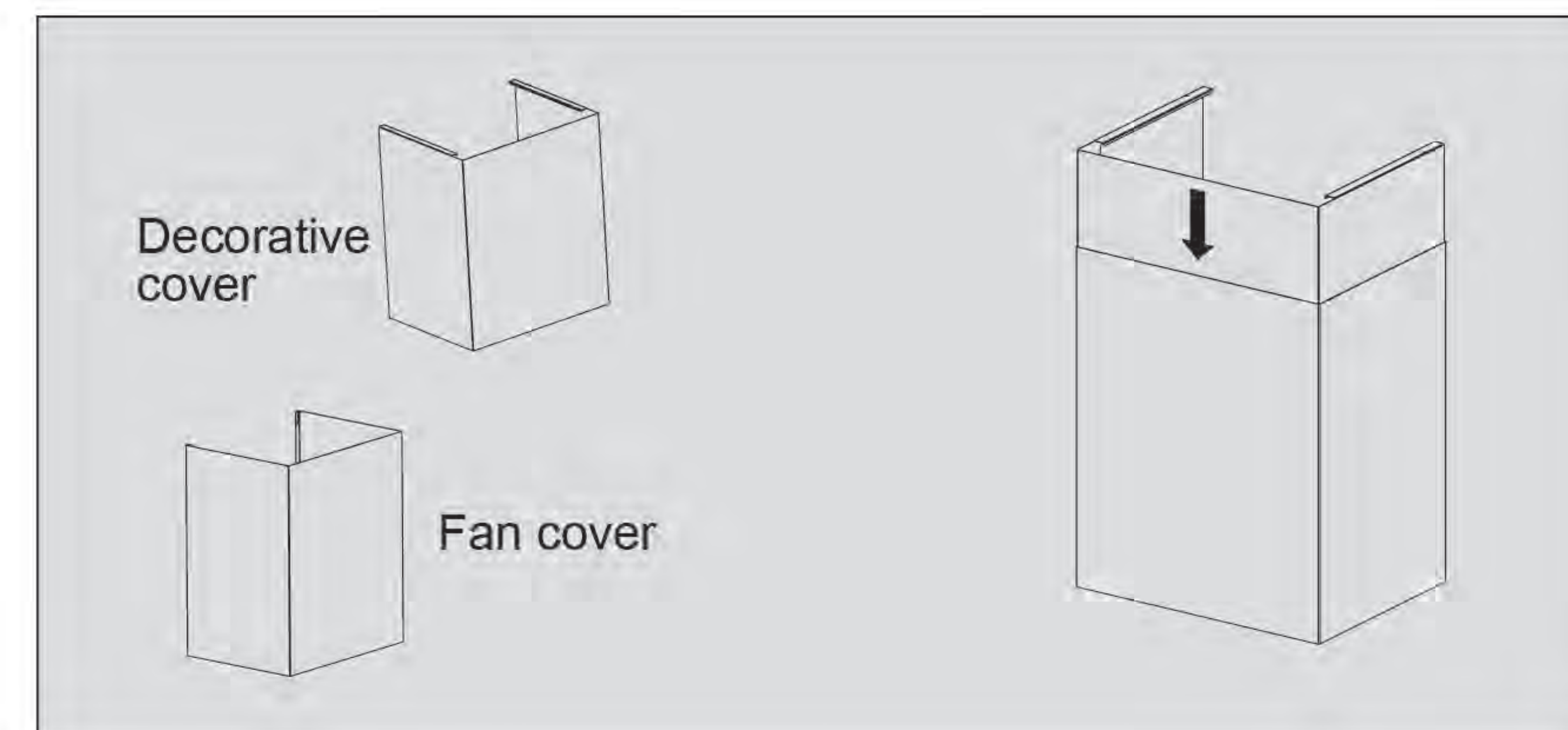
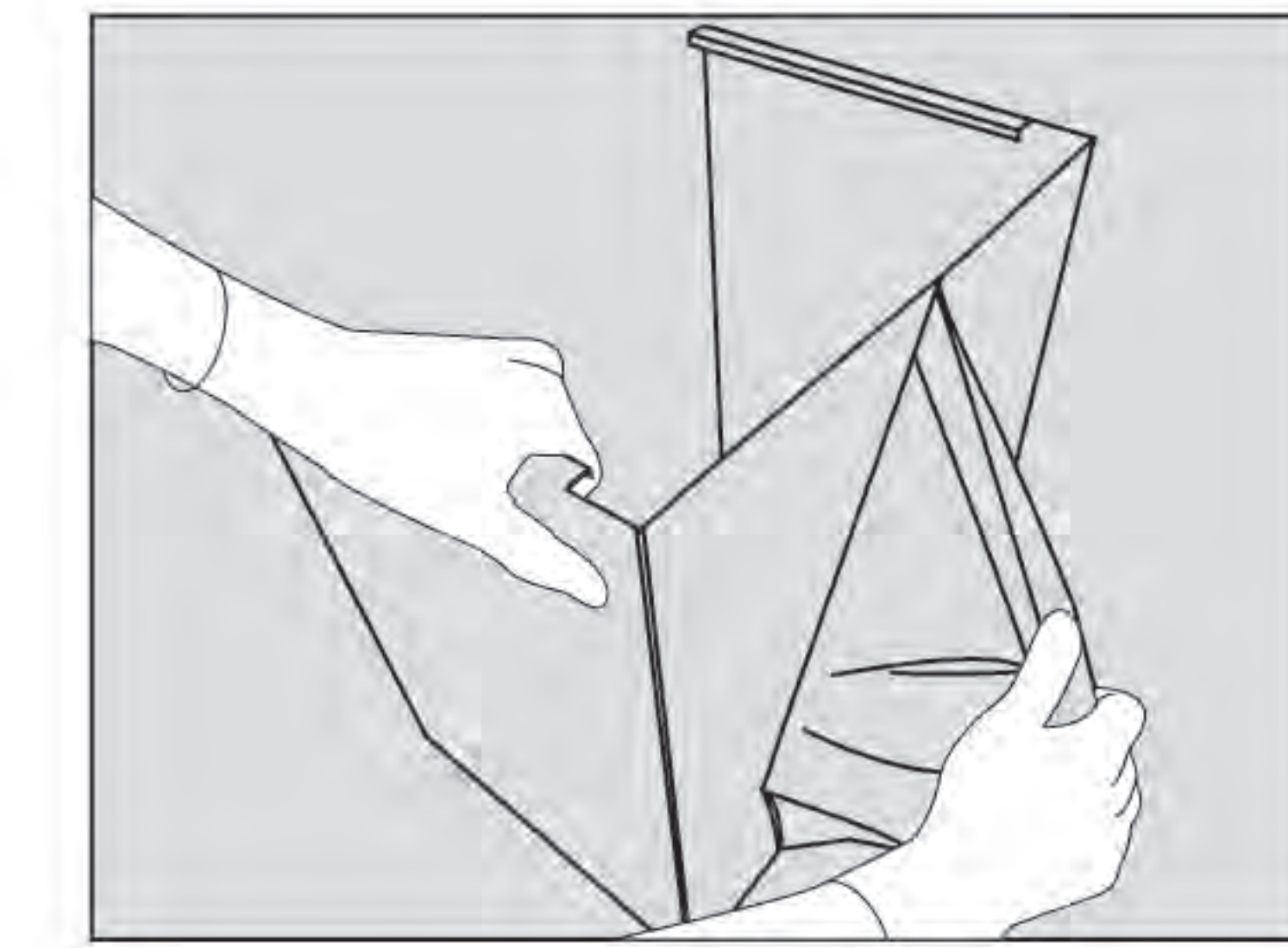
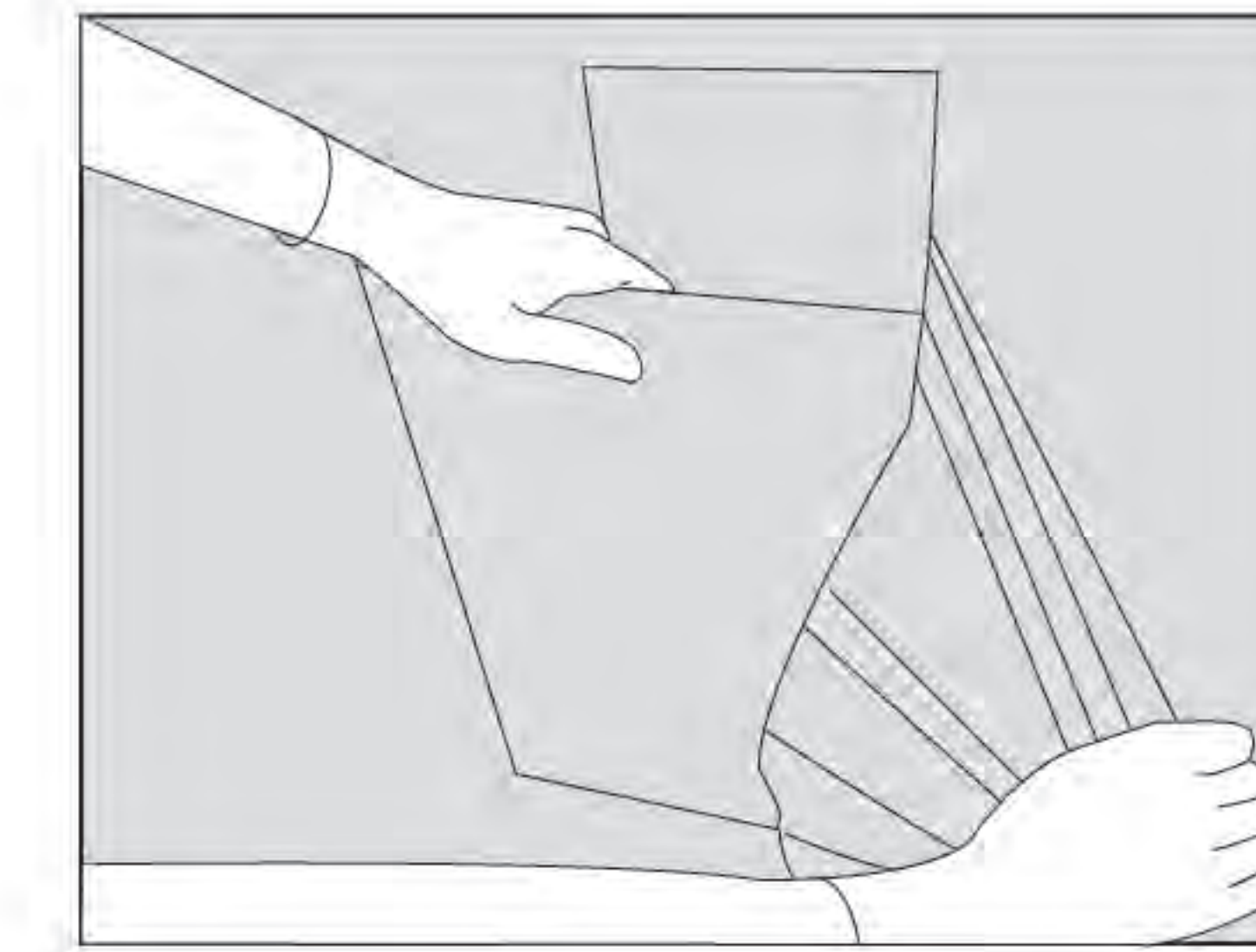


Fig.3

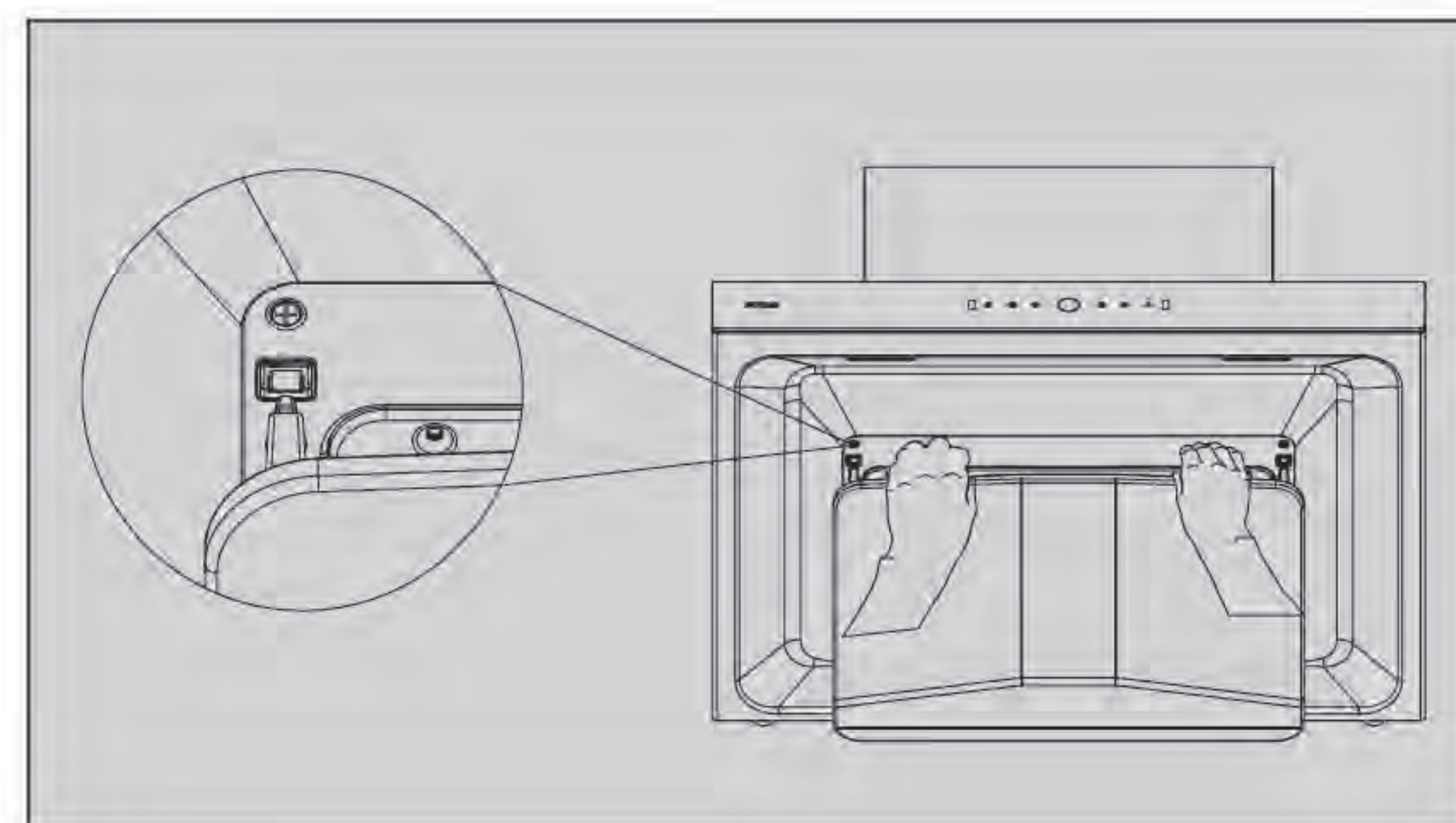
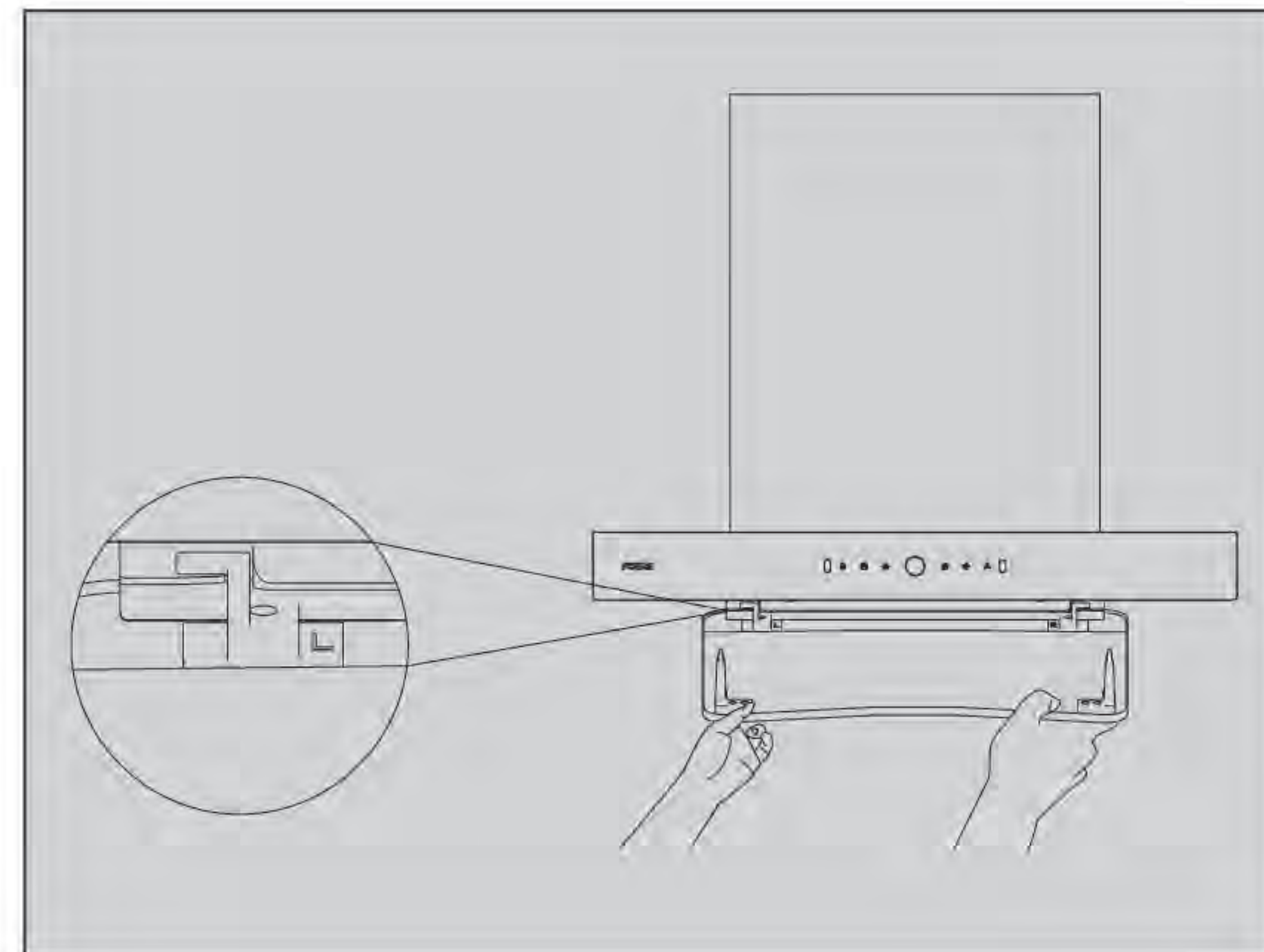
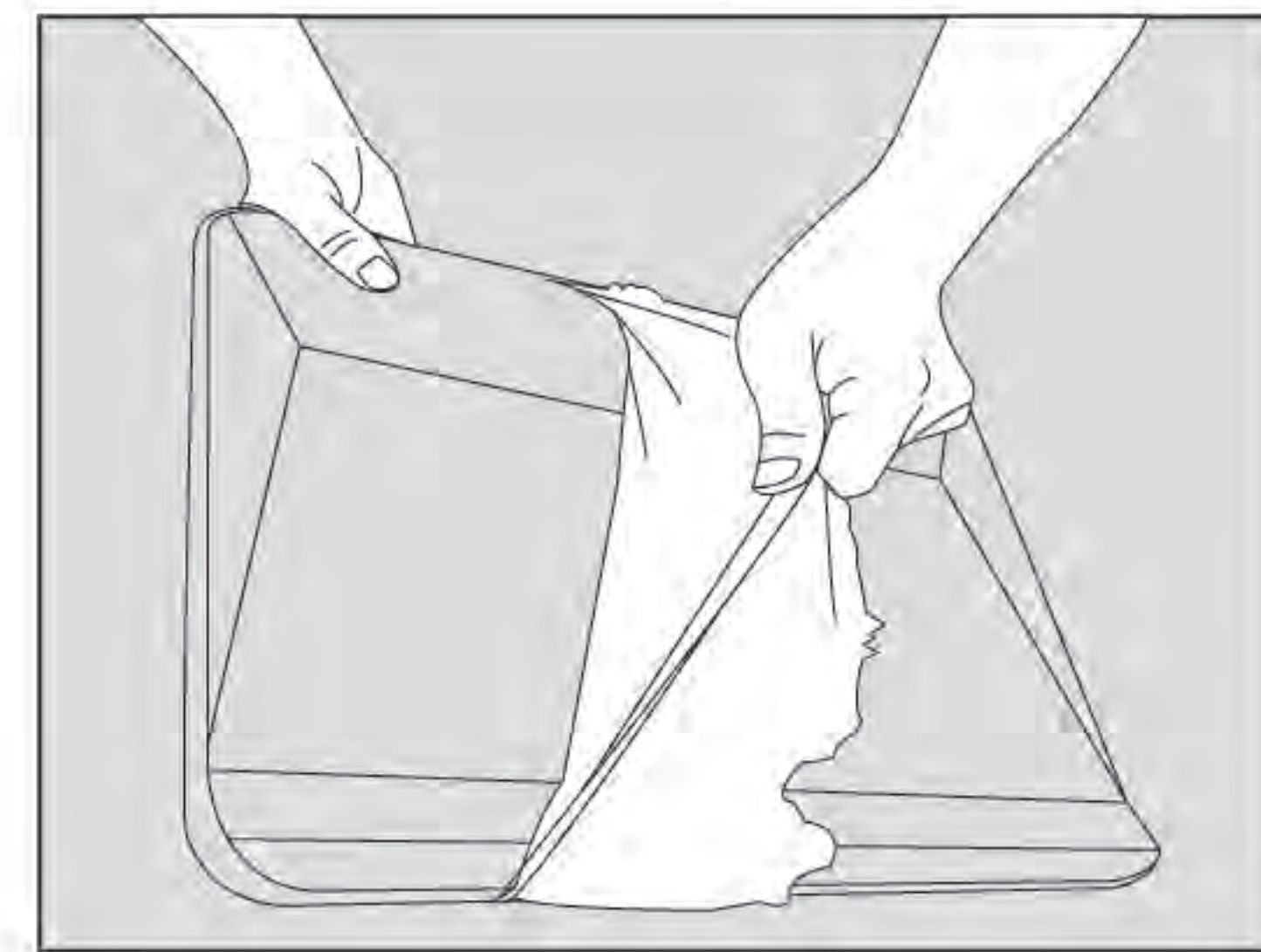
7. Installation of fan cover and decorative cover:

- (1) Tear off the protective films on the surfaces of the fan cover and decorative cover;
- (2) Place the decorative cover into the fan cover;
- (3) Pick up the fan cover and the decorative cover at the same time, first clip the decorative cover into the decorative cover hook, and then push the decorative cover and fan cover to the end along the decorative cover hook assembly at the same time.
- (4) After pushing the decorative cover and the fan cover to the end, the fan cover slowly slips down, clamp the fan cover locking tab into the fan frame, and then insert the fan cover into the gap between the top plate and the fan frame.



8. Install the wing plate:

- (1) Tear off the protective films on the surface of the wing plate;
- (2) Hold the front side of the wing plate tightly with both hands, and put the left and right hooks on the rear side of the wing plate into the hook frame at the bottom of the fume hood;
- (3) Hold the wing plate with both hands, rotate it upward, and then clamp the wing plate locking tab into the touch tab in the fume hood.



- a. First take down the fan cover prior to installation;
- b. Select the drill bit according to the specific conditions of the drilling place.

Debugging

1. Insert the power plug of the main body into the power socket;
2. Touch button and then button gently to check whether the lighting is normal;
3. Touch or or button to check whether the motor rotates in a good condition. In case of any of the following abnormal circumstances, turn off the power immediately to stop operation, and check whether it is caused by installation (If the range hood is determined to be in fault, please call FOTILE service hotline).

- (1)The machine body vibrates violently
 - (2)The expansion tube is loose
 - (3)The impeller does not rotate
 - (4)Obvious grating when the impeller rotates
 - (5)Abnormal sound on the motor
4. Touch gently to make flash so as to enter the Delay state, it will be shut down automatically after 2 minutes; If you gently touch the button again, it will shut down directly.
- (1)The damaged power cable must be replaced by specialized personnel from the manufacturer, its maintenance department, or a similar department to avoid danger.
 - (2)When the range hood is used in conjunction with the hob that burns gas or other fuels, the room must be ventilated well.

Correct Disposal of this product	
	<p>This marking indicates that this product should not be disposed with other household wastes. To prevent possible harm to the environment or human health from uncontrolled waste disposal, recycle it responsibly to promote the sustainable reuse of material resources. To return your used device, please use the return and collection systems or contact the retailer where the product was purchased. They can take this product for environmental safe recycling.</p>

Component Name Diagram

