

FOTILE

A BREATH OF FRESH ENGINEERING®



Sold in over **30** countries around the world, and chosen by **30 million** families



Entered the Canada market in **2015**, focusing on healthy kitchen solutions



More than **2,500** service technicians in the North America



Earned **10K+** kitchen appliance patents
Global Smart Home Invention Patent **TOP100**



36" AUTO-LIFTING INSERT RANGE HOOD

Model: BIG3610



Automatic Lift & Lower

Simply wave to lower the range hood, ensuring optimal smoke capture efficiency with closer proximity



Built-in Design

Concealed when idle, offering a high-end and unobtrusive look



Brushless Direct Current Motor

High-load capacity for quieter, more efficient ventilation



Sync Function* with Cooktop

Wirelessly synchronize with compatible FOTILE cooktops for stable, easy connectivity



Large Capacity Oil Cup

Hassle-free oil management, ensuring a cleaner space and reduced maintenance

*This feature is available with any FOTILE cooktop that features Sync Function.

INDUSTRY LEADING WARRANTY:

PARTS	5-YEAR (LIMITED)
LABOR	2-YEAR
MOTOR	LIFETIME GUARANTEE (LABOR NOT INCLUDED)

Toll Free: 844-315-0315
Address: 8365 Woodbine Ave unit 113,
Markham, ON L3R 2P4
Official Website: ca.fotileglobal.com
Email: service@fotileca.com



Canada WeChat
Official Account



Canada
WeChat Service



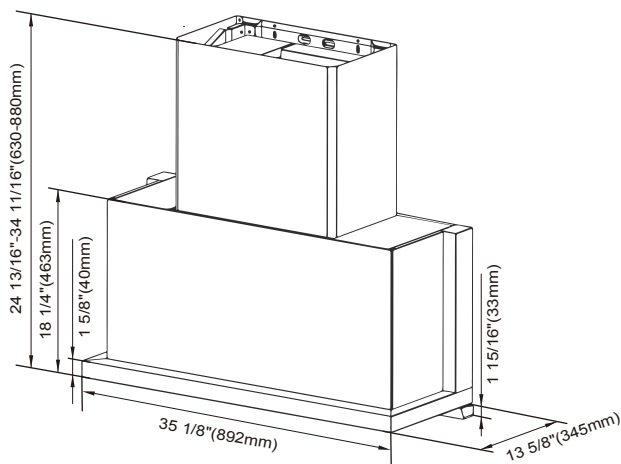
Model	BIG3610
Product Dimensions (W x D x H)(in)	35 1/8 x 13 5/8 x 24 13/16 - 34 11/16
Motor	DC Motor
Max. EQUIV. CFM	1200
Max Static Pressure (Pa)	1000
Control Type	Motion* + Touch Screen
Speed Setting	3
Delay Shutoff	5 min
Noise (dB)	34 / 44.1 / 52.7
Sync Function	Y
Oil Filtration Rate	95%
Smell Reduction Rate	97%

*Motion activation is used solely for turning on the machine and controlling the light.

Elevate Elegance, Conceal Comfort



▼ Product Dimensions



▼ Installation Dimensions

