

# FOTILE

## Happiness Starts in Your Kitchen

There is no single definition of happiness, but most families have a "sense of happiness" that is actually similar— with warmth, fragrance, company, sharing, and a flow of emotions. Thus, the kitchen is an integral part of creating this sense of happiness. For 23 years, FOTILE has from start to finish strived to bring "happiness" to millions of families.

We are dedicated to finding better ways of dealing with cooking fumes, making kitchens more open, and returning the kitchen to the center of the household after being relegated to the corners. Food preparation will never again be a lonely task, but rather an activity where people can see each other, work together, and share their joy. Using increasingly specialized technology and improved quality, we help more people understand the joy of cooking and perceive the true beauty of life. From nutrition to taste, we exercise meticulous diligence so that your family is never disappointed.

We ensure that your children's memories of growing up are accompanied by familiar flavours and warmth, full of security and anticipation. We make kitchens cleaner, bring families closer, and safeguard your and your family's health.

Enjoy your happy kitchen, and leave the rest to us.

From 1996 to 2020, from China to the entire world, in 30+ countries and 17,000,000+ households.

FOTILE's mission has always been "happiness". We are determined to become the happy choice for kitchens worldwide.

- 2,900+ kitchen patents for kitchen appliance\*—the industry leader in innovation.
- Sell well in 30+ countries worldwide. 10,000+ family choose FOTILE every day.
- Three major technological innovation centers around the world: Dusseldorf, Germany; Osaka, Japan; and Ningbo, China.
- Revisor of international standards for range hood products.

\*Patents primarily in China

\*IEC 60335-2-31: "Safety of motor for Household Use and Similar Purposes/Special Requirements for Range hoods and Other Fume Extractor Appliances"



Contact us

[www.efotile.com.au](http://www.efotile.com.au)

**Clean-Air Tech**  
Innovation For the Kitchen



Surround Suction



Easy to clean



DC inverter motor



Easy to replace parts



Rounded edges to avoid bumps

# FOTILE



## 60CM Range Hood for a New World of Clean

Provides powerful suction and extraction of fumes without the need to disassemble cabinets

The world's first motion-activated 60cm DC-inverter range hood





## The Complete Fume-Control Solution

# Clean-Air Tech

FOTILE's engineers' knowledge may surpass even the most remarkable chef when it comes to understanding cooking fumes.


After conducting over 1,000 observation tests in the FOTILE lab, the working principle of a range hood divided into 3 stages, capture, filtration, extraction phase, and any one phase can impact the final result. Treating this as a foundation, our engineers finally completed their concept for the range hood's "Capture/Filtration/Extraction Phase Integrated Plan". The result is FOTILE's innovative solution, **Clean-Air Tech**.

A clean kitchen is an indispensable part of an ideal, happy life. A candlelit dinner with your partner, a pleasant conversation with a guest, teaching children to recognize fruits and vegetables, trying out new foods with your family... but if you cannot resolve problems with cooking fumes, the kitchen will not only become very greasy, it can also fill up with strange odours, and be quickly "overtaken" even after cleaning. These problems are even more prominent in an apartment. Your originally wonderful kitchen life can be significantly diminished because of these fumes.


FOTILE resolves the fume situation in Australian kitchens by providing a 360°, completely effective fume-cleaning solution that perfectly fits standard-size cabinets.




### Fume Extraction

 **Smart Drive System**  
Low noise, powerful extraction

### Fume Suction

 **Double Power System**  
With surging power, heavy fumes are nothing to fear

### Fume Capture

 **All-in System**  
Expansive range for precise capture







## All-in System

Expansive range for precise capture

### Wing-like Surround Suction Plate—Innovation Starts with the Plate

Utilizing familiar fume motion principles, FOTILE broke away from traditional composition and designed a unique, patented Wing-like Surround Suction Plate.



Fumes originating from the exterior burners can easily escape the range hood's control. Range hoods that lack a special fume-capturing structural design frequently overlook these peripheral fume leaks, so the fumes eventually fill your kitchen and living room.



#### Gets in close to quickly capture fumes

After hundreds of tests, FOTILE discovered that the ideal height for intercepting fumes is 580mm. If the hood is installed at a height above 580mm, the fumes disperse before reaching the hood. The Wing-like Surround Suction Plate design lowers to approach the ideal area of fume control and catches fumes before they can spread.

#### Surround suction achieves complete coverage

The Wing-like Surround Suction Plate's greatest advantage is that it can expand the range hood's effective scope of coverage—improving from traditional centralized intake to surround suction on all sides. In the past, fumes originating from the exterior burners typically gave range hoods trouble, but now even these fumes are easily controlled.

#### Uses angles to capture fumes more effectively

If you look carefully, the Wing-like Surround Suction Plate is not an ordinary flat plate. Both sides have a slanted design, which creates a powerful buffer zone around fumes. At the same time, it links to the M-type fume collection compartment, creating a canyon effect and accelerating fume entry.



Canyon-style intake system



M-type fume collection compartment

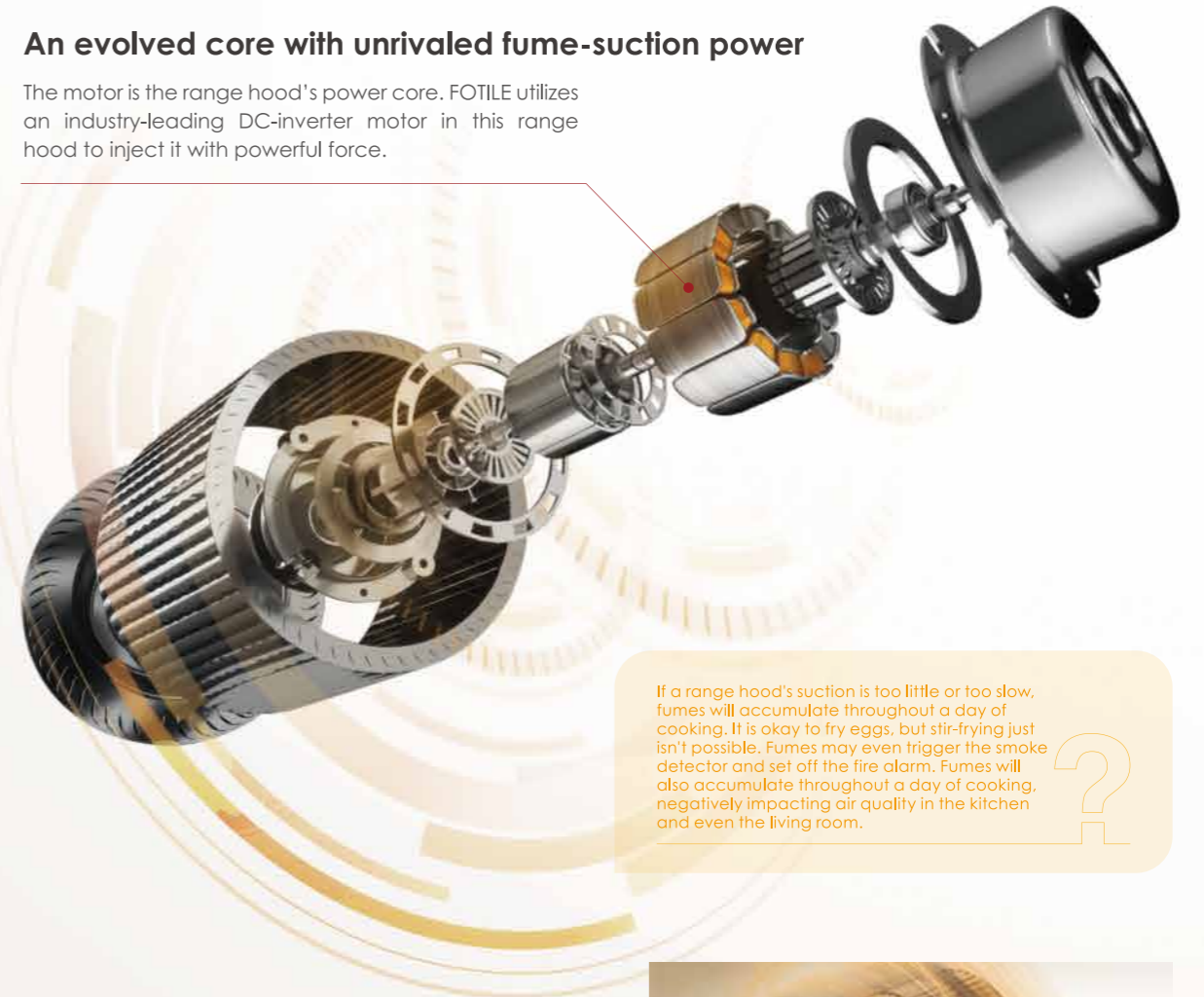


## Double Power System

With surging power, heavy fumes are nothing to fear

### An evolved core with unrivaled fume-suction power

The motor is the range hood's power core. FOTILE utilizes an industry-leading DC-inverter motor in this range hood to inject it with powerful force.



If a range hood's suction is too little or too slow, fumes will accumulate throughout a day of cooking. It is okay to fry eggs, but stir-frying just isn't possible. Fumes may even trigger the smoke detector and set off the fire alarm. Fumes will also accumulate throughout a day of cooking, negatively impacting air quality in the kitchen and even the living room.



#### Faster rotation makes for greater suction

The DC-inverter motor creates an ultra-fast rotation speed of 100,000 rpm for an airflow of 1080m<sup>3</sup>/h\*. This allows for quick intake of a large amount of fumes. At the same time, the FOTILE DC-inverter motor's proprietary design allows for enhanced adaptability and more stable operation.



#### One-touch turbo function with a dedicated stir-fry mode

FOTILE also has a dedicated turbo function, which targets the massive amount of fumes produced by high temperature stir-frying. In this mode, airflow is increased from its normal rate of 1030m<sup>3</sup>/h\* to 1080m<sup>3</sup>/h\*. Even large amounts of fumes are nothing to fear.

\*Airflow value tested under IEC 61591 standards.



If a flue is long and has many curves, this complicates fume extraction for a normal range hood. Moreover, many users complain that range hoods are noisy and it is impossible to carry on a conversation with their family while cooking.



## Clean filtration for freshness you can smell

Traditional range hood filter systems are weak and depend on an outer aluminum filter to filter small amounts of fumes. FOTILE's unique triple-filter technology removes grease completely and Clean Air Delivery Rate up to 2x more than a standard range hood, thereby returning clean air into the kitchen.

After separation, the grease is diverted into a grease cup for storage, preventing the grease from dripping.

Because many kitchens do not have a flue installed, fumes cannot be extracted. The effectiveness of ordinary recirculation range hoods is minimal, and they are completely unable to improve the kitchen environment... Most people have no choice but to cover their cabinets and furniture in plastic wrapping.



## Smart Drive System

Reduced noise paired with powerful extraction

### Fume extraction is just this easy

The DC-inverter motor provides up to 900Pa of static pressure. Unlimited variable speed responds with proportionally stronger extraction pressure upon encountering a blockage. The effective extraction is adaptable to the flues of various homes, so there is no need to worry if the flue is long and has many turns.



Original DC motor design

Reduces the noise caused during operation and switching modes. Its lowest noise output is 39dB, the same noise level as the inside of a library.

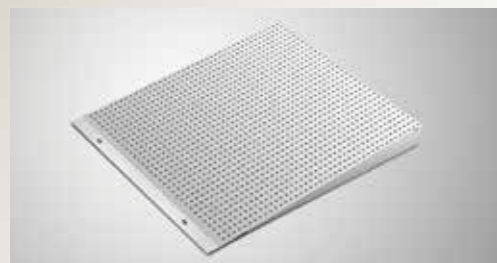
### Quiet operation so you can calmly immerse yourself in the joy of cooking

Noise-reduction technology gets another upgrade. In addition to the multi-directional noise reduction produced by the original technology, the DC-inverter motor noise is reduced to even lower levels. During long processes such as simmering soup, the range hood provides continuous ventilation. You can read a book or watch videos without being disturbed in the slightest.



Bionic wing impeller

Arranged in the same configuration as a falcon's feathers to strengthen control of airflow, resulting in an outstanding silencing effect.



Aerospace-engineered microporous noise reduction

The same noise reduction technology used in aerospace flight, this microporous sound-absorbing material improves overall noise reduction performance.



Nautilus air passageway

Utilizing a nautilus-inspired logarithmic spiral design, fumes are forced into a spiral shape for radial extraction. Lower resistance reduces noise.

### Step 1

Wing-like Surround Suction Plate filters grease



### Step 2

Grease is trapped by the aluminum filter



### Step 3

Carbon filter captures any remaining grease and eliminates odours



## Miraculous "FRESH-AIR FILTER"

Grease-capturing filter and odour-eliminating carbon filter work together for more effective grease control and odour elimination.

### 1. Powerful grease filtration and odour elimination

- ① After hundreds of tests, the ideal thickness for the carbon filter was determined to be 20mm. This allows for high-efficiency filtration without hindering airflow.
- ② Over 50% activated carbon content increases particle filtration ability while absorbing more fumes.

### 2. Super-long carbon filter replacement cycle

- ① Frontal grease filtration design and centralized grease filtration effectively lowers the ability of grease to adhere to the carbon filter medium. Lifetime use is 3x longer.
- ② 10mm grease layer isolate design ensures that grease dripping from the aluminum mesh cannot stick to the carbon filter. This extends the life of the internal carbon filter.



## Groundbreaking wind-guide structural design is turbulence-free and doesn't blow onto the head

The airflow design of normal recirculation range hoods blows air right out towards the top of your head after filtration and can actually aggravate fumes. FOTILE's unique wind-guide structure eliminates turbulence and prevents air from blowing on the face.

\* Odour-eliminating carbon filter and wind-guide box must be purchased separately.  
\* To ensure filtration effectiveness, the odour-eliminating carbon filter must be replaced at regular intervals.



## Easy to disassemble Easy-clean design

### Saves a lot of time

Multifaceted easy-clean design makes both routine tidying and deep cleaning effortless.

The dense mesh used in traditional mesh filter range hoods easily accumulates grease. When cooking, a mesh filter saturated with grease can greatly impact your mood. Occasionally grease will drip, which is even more maddening. Some mesh filters with larger holes may appear clean, but their filtration ability is compromised, which creates the problem of easily dirtying the inner liner. These grease filters both have one point in common: they are very difficult to clean.



#### Screen Lock Function

Hold down the Screen Lock button for 2 seconds to lock the screen. The flat panel surface can be cleaned using any means you like.



#### All-in-one Grease Cup

The Wing-like Surround Suction Plate and grease cup are a single unit, reducing the number of parts to clean.



The Wing-like Surround Suction Plate structural design includes a special aluminum mesh filter to prevent grease drips.

You no longer need to deal with greasy mesh filters directly. After the aluminum mesh filter separates the grease, it is diverted into the integrated grease cup to prevent drips.



#### Quickly disassemble and install grease filter

The completely snapped-in design can be dismantled and reassembled with one hand. The Wing-like Surround Suction Plate and aluminum mesh can be loaded into the dishwasher for easy cleaning.



## Simplified Installation

### More suitable, more beautiful

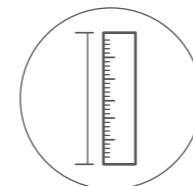
Traditional range hoods are easy to install, but their effects are barely noticeable. Chinese-style range hoods are more effective but require modification of cabinets prior to installation. Each one has drawbacks that make it difficult to choose between them.



Typical range hoods (e.g. slide-out range hoods and undermount range hoods) are designed to fit cabinets, but their fume suction ability is too weak. New-style Chinese range hoods are highly praised, but the cabinets must be modified before the range hood can be installed. With a 60cm measurement that suits the average apartment + ultra-thin mounted design, there is no need to disassemble the cabinet and can be installed directly. You can retain the style of the original cabinets in their entirety for a harmonious aesthetic.

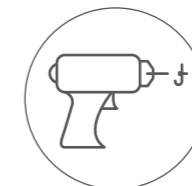
The installation process is so simple, you can do it yourself

1



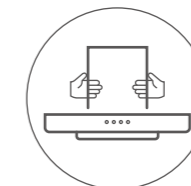
Confirm the size of the hole to be opened on the bottom of the upper cabinet

2



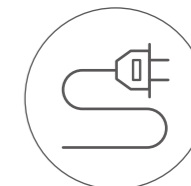
Confirm the hook position, and fasten the hooks

3



Install the decorative cover and hang the range hood

4



Connect the exhaust duct to the vent cover and power source to complete installation

\* Please refer to the user manual for specific installation steps.





## Human-centric design

Every detail is meticulously considered



Specialized, rounded edges protect your head from accidental injury.



Automatic shut-off feature with a 5-minute delay.



There's no need to worry about the range hood obstructing your kitchen lights. The range hood has its own 390lux super-bright dual LED lamp. This perilluminating light restores food to its true colour.



This range hood conveniently turns on with a simple wave of your hand. Don't want to dirty the beautiful flat panel with greasy hands? There's no need to touch it—just wave your hand to automatically turn on the lamp and activate the range hood's high-power fume extraction.



Grease trap replacement reminder feature. In order to preserve the highest level of filtration efficiency, once the range hood has reached the maximum use period, it will automatically issue a notice to change the carbon filter. You need only pull down the snapped-in carbon filter to easily change it.

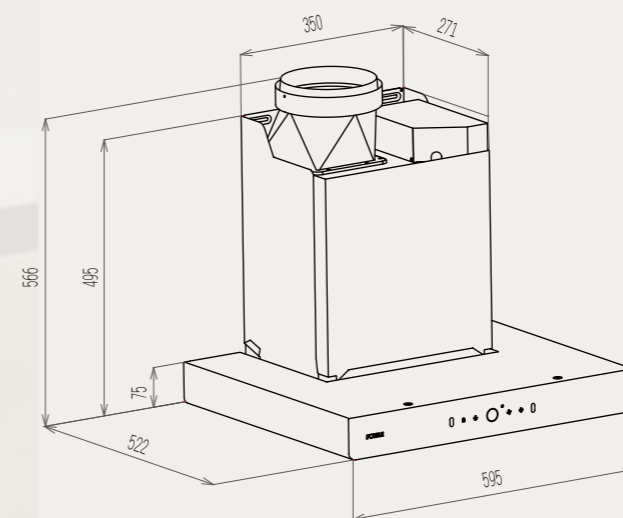


## EMS6008/EMS6008-C

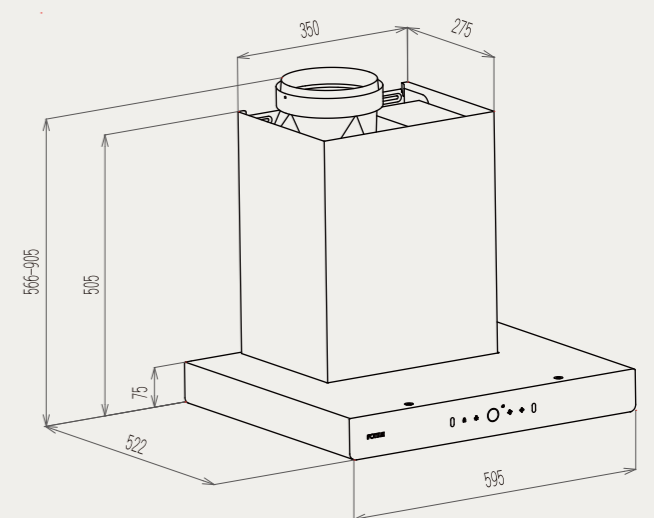
Maximum airflow (m <sup>3</sup> /h) (IEC 61591)	1090
Noise * (dB) (IEC 60704)	High Mode 56 Low Mode 39
Maximum static pressure (Pa)	900
Number of mode	3+Turbo
Clean Air Delivery Rate	92
Odour reduction rate (%)	99
Motor type	DC
Lights	LED 3W*2
Control	Touch& wave
Delay-off function	Y
Rounded edge design	Y
Screen lock	Y
Carbon filter replacement reminder	Y
Decorative cover	EMS6008 N EMS6008-C Y
EMS6008size (mm) WxDxH	595x522x566
EMS6008-Csize (mm) WxDxH	595x522x(566-905)

Note: The noise indicated in this chart is the sound pressure level in the highest mode.

## Product dimensions



EMS6008



EMS6008-C

Unit : mm