

FOTILE



Model: EMS9018



Model: EMG9030



Model: EMS9026

A BREATH OF FRESH ENGINEERING™

WHY FOTILE

Trustworthy Brand

- Sold in over 20 countries around the world, and chosen by 10,000+ families daily.
- First Chinese kitchen appliance manufacturer to achieve a revenue of more than \$1.5 billion.
- 3500 technicians in 50 states ensures timely and professional service.
- Leading the research and development of International Standards for Range Hoods.
- Owner of nearly 3,000 kitchen appliance patents, with 400 being invention patents.
- On the list of Asia's Top 500 Brands for 5 consecutive years.

Effective Products

- Patented Wing-Liked Surround Suction Tech, preventing any cooking smoke from escaping.
- Intelli-Pilot System, smart speed adjusting.
- Patented Nautilus Air Passageway, smoother ventilation.
- Brushless centrifugal DC motor, more powerful and quiet.
- Intelligent Air Management detects and exhausts out harmful organic gases automatically.
- Satisfaction rate nearly 95%, leading in the industry.



Member of HVI, the most authoritative and credible institution in North America



reddot



product design award



Intertek

Email: info@fotileca.com

Toll Free: 1-844-315-0315

Address: 8365 Woodbine Ave, Unit 113, Markham ON. L3R 2P4

Website: ca.fotileglobal.com



Wechat 公众号

@ 661117686

@ FOTILECanada

@ fotile_canada

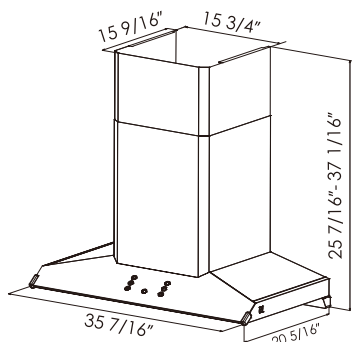


	EMG9030 Intelligent Self-Adjusting	EMS9026 Adjustable Capture Shield	EMS9018 Auto Turbo System
Width	36in	36in	36in
Motor	DC Motor	AC Motor	AC Motor
Max. EQUIV. CFM	1100	1000	900
Max. Static Pressure	720Pa	500Pa	500Pa
Operation	Touch Screen	Touch Screen	Touch Screen
Number of Speed Settings	4 w/ Auto Turbo Mode	2 + Auto Turbo Mode	2 + Auto Turbo Mode
Capture Shield	Fixed / Intelligent Self-Adjusting	Fixed / Adjustable	Fixed
Delay Shutoff	2/5/10 min.	2 min.	2 min.
Min. Noise Level	40dB	43dB	43dB
Impeller	Patented Bio-Impeller	Durable Metal Impeller	Durable Metal Impeller
Auto Turbo Mode	Y	Y	Y
Intelligent Air Management System	Y	N	N

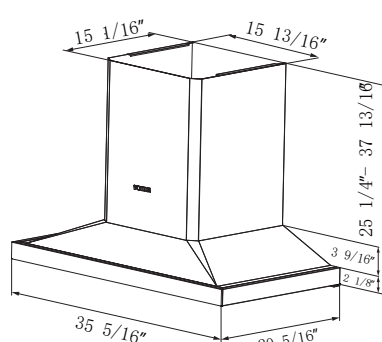
3-year limited warranty 1-year full warranty. 3-year limited warranty on all parts. Lifetime warranty on motor.



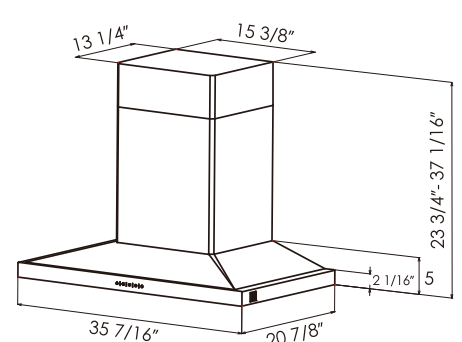
Unit: in



▲ EMG9030 Product Dimensions



▲ EMS9026 Product Dimensions



▲ EMS9018 Product Dimensions