



---

# HIGH VELOCITY WAREHOUSE FAN

---



Models: ILG8VF10/ ILG8VF12

ILG8VF16/ ILG8VF20/ILG8VF24



OWNER'S MANUAL

---

PLEASE READ AND

SAVE THESE INSTRUCTIONS

PLEASE READ AND SAVE THESE INSTRUCTIONS. READ CAREFULLY BEFORE ATTEMPTING TO ASSEMBLE, INSTALL, OPERATE, OR MAINTAIN THE PRODUCT DESCRIBED. PROTECT YOURSELF AND OTHERS BY OBSERVING ALL SAFETY INFORMATION. FAILURE TO COMPLY WITH INSTRUCTIONS COULD RESULT IN PERSONAL INJURY AND/OR PROPERTY DAMAGE! RETAIN INSTRUCTIONS FOR FUTURE REFERENCE.

## BEFORE YOU BEGIN



**WARNING!**

Installation, troubleshooting, and replacement of parts are to be performed only by authorized service technicians.

Electrical Requirements:

- The motor amperage and voltage ratings must be checked for compatibility to supply voltage prior to final electrical connection. Please refer to the motor's nameplate label.
- Wiring must conform to local, state, and national codes.
- DO NOT use this fan with any solid-state speed controller

### SAFETY WARNING

- Disconnect power immediately if any abnormalities occur during operation
- Unit is not water proof. Operate unit after from water.
- Do not insert any object into the blades during operation.

**IMPORTANT  
INSTRUCTIONS**

**SAVE THESE INSTRUCTIONS**

## GENERAL SAFETY INSTRUCTION

Fans are UL/cUL Listed, Standard 705.

1. Do not depend on any switch as the sole means of disconnecting power when installing or servicing the fan.
2. Always disconnect, lock-out, and tag-out power source before installing or servicing. Failure to disconnect power source can result in fire, shock, or serious injury.
3. Motor will restart without warning after thermal protector trips. Do not touch operating motor; it may be hot enough to cause injury.
4. Do not place body parts or objects in fan or motor openings while motor is connected to the power source.
5. All electrical connections should be made by a qualified electrician.
6. These utility exhaust fans are for general purpose exhaust applications only. Do not use these exhaust fans in an area where corrosive or explosive materials may be found.
7. Follow all local and state/provincial electrical and safety codes in the United States and Canada, as well as the National Electrical Code (NEC) and the Occupational Safety and Health Act (OSHA) in the United States, and the Canadian Electric Code (CEC) in Canada.
8. Always disconnect power source before working on or near a motor or its connected load.
9. Protect the power cable from coming in contact with sharp objects.
10. Do not kink or create tight bends in the power cable and never allow the cable to come in contact with oil, grease, hot surfaces, or chemicals.
11. Make certain that the power source conforms to the requirements of your specific exhaust fan model. The fan frame and motor must be electrically grounded to a suitable electrical ground, such as a grounded water pipe or ground wire system.
12. To reduce the risk of injury to persons, please observe the following: In the United States, OSHA compliant guards are required when fan is installed within 7 feet of the floor or working level. In Canada, CSA compliant guards are required when fan is installed below 2.5 meters (8.2 feet) above the floor or grade level.
13. Questions? Please contact our service center by calling **1-800-317- 1688**.

## PRODUCT SPECIFICATIONS

Model	Impeller Size (in)	Volt (V)	Frequency (Hz)	Speed (RPM)	Power (W)	Air Flow (CFM)	Static (Pa)	Noise dB(A)
ILG8VF10	10	120	60	3 450	350	1942	350	66
ILG8VF12	12	120	60	3450	550	2720	450	69
ILG8VF16	16	120	60	3450	1200	4590	780	79
ILG8VF20	20	120	60	1720	1300	6180	500	74
ILG8VF24*	24	120	60	17 20	2000*	9182	540	77

### Note

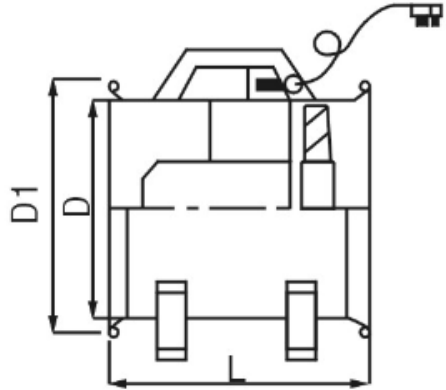
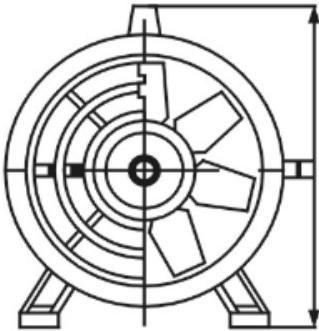
\* Requires **20A** outlet, do not attempt to plug into standard 15A outlets.

- Casing: Steel
- Impeller blade: Aluminum Alloy
- Available sizes: 10", 12", 16", 20", and 24"
- Available colors: Yellow

### SPECIAL FEATURES

---

- Energy efficient
- Large air volume, high pressure, and low noise
- Mobile and easy to move around
- Durable and strong structure



Model	L (in)	D1 (in)	D (in)	H (in)
ILG8VF10	13.75	10.25	8.0	13.0
ILG8VF12	15.0	14.75	11.9	16.9
ILG8VF16	17.7	18.9	15.8	20.0
ILG8VF20	18.9	22.8	19.8	29.7
ILG8VF24*	22.8	26.7	23.8	34.25

**Note**

\* Requires **20A** outlet, do not attempt to plug into standard 15A outlets.

**IN THE BOX CONTENT**

- High velocity fan
- User's Manual

## INSTALLATION AND OPERATION INSTRUCTION

All units are shipped fully assembled; no installation required.

### OPERATING INSTRUCTIONS

1. Make sure the unit is placed of a flat surface
2. Keep the area free of objects that could impede air flow on both the intake and exhaust side of fan.
3. For proper exhaust operation, a window, door, or louver should be opened for fresh air intake on the opposite side of the area to be ventilated.
4. Turn the On/Off switch to engage fan

### MAINTENANCE

- Shut off power before cleaning or maintenance.
- Wipe casing and impeller with care using a damped soft cloth or neutral detergent, ensure the motor of other electrical components does not come in contact with water
- Apply mechanical lubrication in machinery axletree after ventilators has used more than 1000 hours to ensure longer use life for ventilator.



**Do not depend of any switch as the sole means of disconnecting power when installing or servicing. If power disconnect is not visible, utilize osha lock out/tag out procedure.**



**Failure to do so may result in fatal electrical shock. Employ proper lock-out/tag-out procedures when performing maintenance.**

## WARRANTY

This heater comes with a 1-YEAR LIMITED COMPONENT WARRANTY. If your unit does not appear to be working properly, please contact our service center by calling 1-800-317-1688. Prior to your call, we encourage you to visit our service related website [www.ilivingusa.com](http://www.ilivingusa.com) for troubleshooting tips and service instructions if needed.



### WARRANTY INFORMATION

Register your product at our website:

Or visit [iLivingUSA.com/register-product](http://iLivingUSA.com/register-product)



### FEEDBACK

**LOVE IT? HELP US MAKE THE PRODUCT MORE FOR YOU.**

Let us know with a customer review.

Please visit: <https://www.amazon.com/review/review-your-purchases#>

At iLiving USA, we are committed to bringing top quality products to our customers.

iLIVING USA

860 Mahler Road, Burlingame

CA 94010

Tel: 1-800-317-1688

Email: [service@ilivingusa.com](mailto:service@ilivingusa.com)



Like us on Facebook: <https://www.facebook.com/ilivingusa/>



Follow us on Twitter: @iLIVINGUSA

Check out our website: [www.ilivingusa.com](http://www.ilivingusa.com)