



Exhaust Fan Remote Control Kit

OWNER'S MANUAL

MODEL: ILG8SFRC



IMPORTANT INSTRUCTIONS

READ & SAVE

IMPORTANT INSTRUCTIONS

1. Disconnect power supply before connections are made to prevent possible electric shock and/or damage to equipment.
2. Read and follow instructions carefully. Failure to comply with instructions could result in fire, electric shock, injury to persons, and/or damage to equipment.
3. To reduce the risk of overheating and possible damage to other equipment, this speed controller is only intended for use with the iLiving Variable Speed Shutter Exhaust Fans (ILG8SF7V, ILG8SF10V, ILG8SF12V, ILG8SF16V, ILG8SF18V, ILG8SF20V, and ILG8SF24V). Do not install this remote control kit on any other fan or appliance.
4. All wiring should conform to the United States National Electrical Code and all applicable local/state regulations.
5. Do not mount the control kit in an area which will likely expose the control kit to moisture.
6. Make certain the entire installation is grounded as a precaution against possible electrical shock.
7. Do not exceed maximum amperage rating of the control kit as overloading can result in damage to the shutter exhaust fan and control kit.
8. When wiring an electrical appliance or device follow all electrical and safety codes, as well as the most recent United States National Electrical Code (NEC) and the Occupational Safety and Health Act (OSHA).
9. Install control kit in a well-ventilated area.

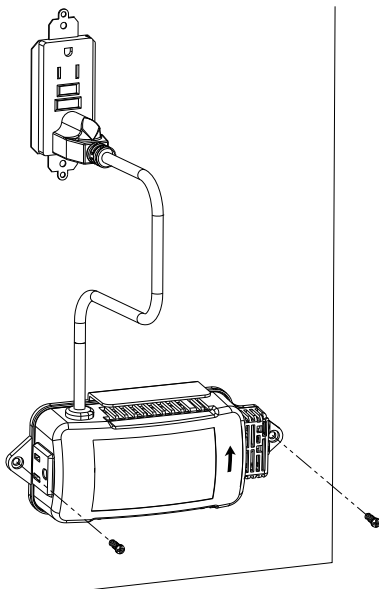
CAUTION: TO REDUCE THE RISK OF FIRE OR ELECTRIC SHOCK, DO NOT USE THIS CONTROL KIT IN AN INSULATED WALL

This Remote Control Kit contains the following:

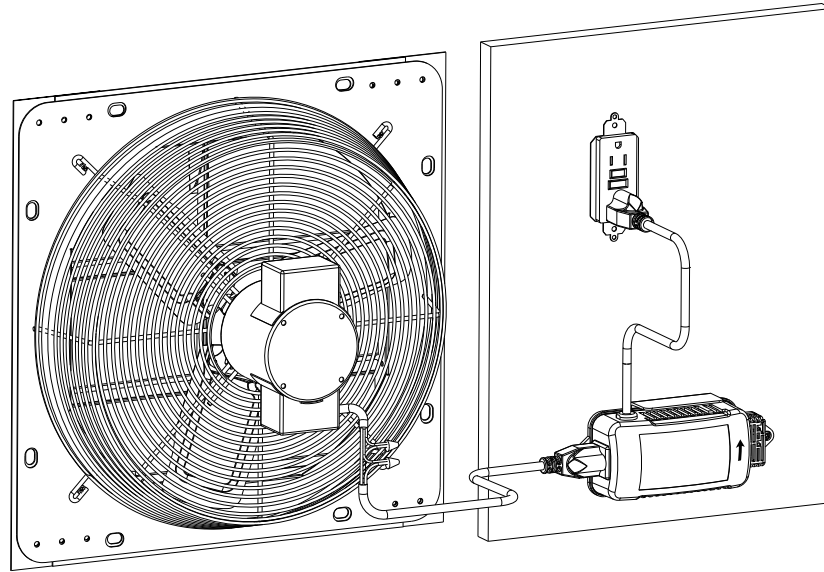
- Control Box with Power Cord
- Power Cord (6 ft) for Hardwiring to the Fan
- Remote Control
- Remote Control Holder
- Screws
- Plastic Anchors
- Wire Connectors

Installation

1. Turn power off at circuit breaker panel or fuse box.
2. Connect the power cord of control kit to a 120V/60Hz wall socket.

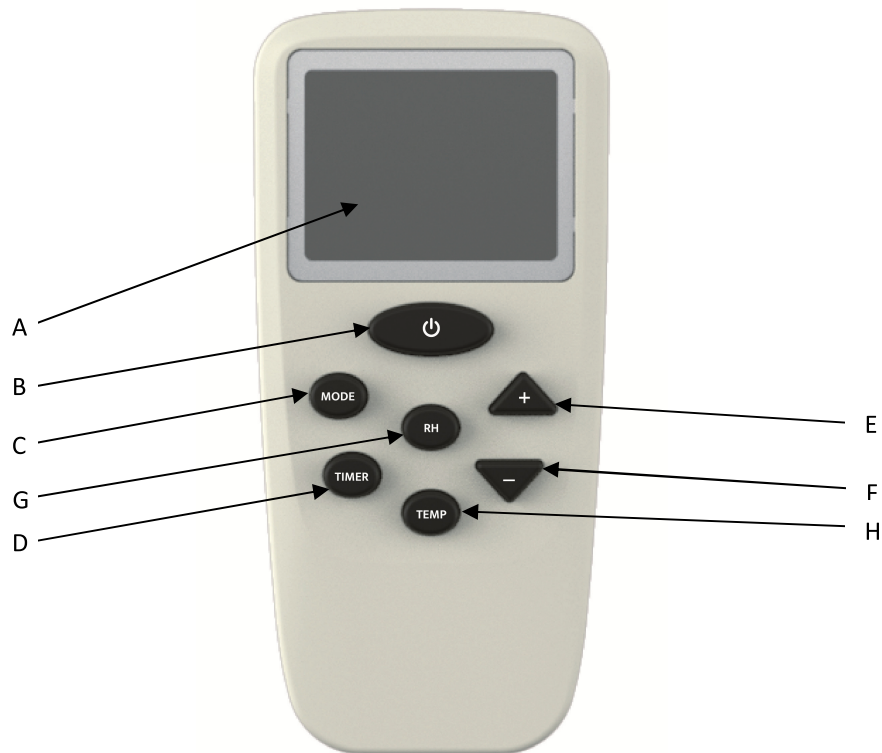


3. Then mount the control kit to the wall by two screws **HORIZONTALLY**.
Important: make sure the control kit is mounted horizontally with rain shield wall on top to protect against rain. It may become hazardous to the consumer if water gets into the control kit. Mounting the control kit horizontally allows the control kit to vent properly.
4. Hardwire a power cord to the fan (included in the kit). Plug the power cord of fan into the socket of control kit to get power.



5. When any solid state speed controller is used, a humming noise will be present in the fan on low speed. This hum in no way affects the operation of the fan and is acceptable in most commercial/industrial installations.

Remote Control Descriptions

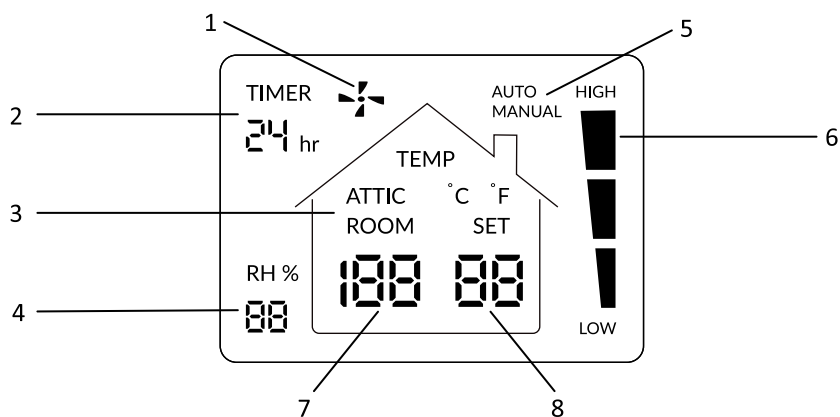


Name and Function

- | | |
|-----------------|----------------|
| A. LCD display | E. + Button |
| B. Power button | F. - Button |
| C. Mode button | G. RH Button |
| D. Timer Button | H. Temp Button |

Remote Control LCD Display Icons and indication

- | | |
|---|---------------------------|
| 1. Fan mark for fan is running | 5. Auto and Manual |
| 2. Timer marks and setting | 6. Fan speed setting bars |
| 3. Attic and Room | 7. Room Temperature |
| 4. RH (Relative Humidity) marks and setting | 8. Set Temperature |



Operation Instruction

Turn **ON** the fan:

Power button

Press Power button on the remote control to turn the Fan ON and OFF. The display will show the set temperature and Attic Temperature and mode. The default mode is Auto and temperature is 80 °F. If the remote only displays the SET temperature, which means the remote is on sleep mode (to extend battery life). To wake up the remote, press the Power button once.

Operation Modes

Press **MODE** button to set the fan to Auto mode or Manual mode to set High, Medium and Low speed. The modes toggle from Auto to Manual High, Manual Medium and Manual Low and back to Auto.

Auto Mode

Automatically controls the fan speed using the temperature only or both temperature and humidity setting. The control algorithm is as follows:

- When **Attic** temperature is greater than the **set** temperature, the fan will turn on.
- If the **Attic** temperature is 4 degree higher than **set** temperature, the fan will run on HIGH.
- When the **Attic** temperature is **equal** to or **lower than** the **set** temperature, fan will be off.
- When RH is enabled, the controller will regulate the environment until both the set temperature and humidity are equal or below the set values.

Manual Mode

Fan speed can set to High, Medium, and Low by pressing the **MODE** button.

Fan will continue to run at the set speed and it will disregard the set temperature and humidity setting. Fan can be turned off by pressing the POWER button.

Set Timer

Timer feature is enabled only when you press the **TIMER** button. Press **TIMER** button to turn the timer ON. The default timer is 3 hours. You can adjust the timer from 0 to 24 hour by pressing the + and - button. When the timer feature is enabled, the fan will run as Manual run at the previously set Mode until the timer expires.

Timer will execute after the timer stops flashing and turn the Fan Off when timer reach the timer settings. Press and hold **TIMER** button for 3 seconds can turn the timer Off directly.

Set RH (Relative humidity):

Press **RH** button to turn on humidity control. The display will show the default **RH** value - it is 70%. After turning on humidity control, **RH** displays and set value will flash for 5 seconds. While RH is flashing, press + button to increase and – button to decrease RH set point.

RH is part of the Auto Mode, it will begin Auto control after the **RH** stop flashing. Press and hold **RH** button for 3 seconds turns the humidity control Off. **RH** display will dim.

+/- button

The +/- button is used to set control temperature, humidity, and timer. Anytime you press + or - button, it will adjust the set temperature and go directly into auto mode. When setting Timer or **RH** mode, +/- button will be used to adjust the set value.

Temp Button

This remote is capable of reading two location temperatures. One is the control box location, which is the Attic. The other is the Room temperature, where the remote is located at.

If the remote only displays the set temperature, press the POWER button to wake up the remote. Press **TEMP** button to switch the reading from the two locations. **ATTIC** means the temperature at the location where the control box is mounted (make sure control kit is plugged into a power source). **ROOM** means the room temperature at the location of the remote control. Pressing and holding the **TEMP** button to switch from Celsius to Fahrenheit.

How to Pair the remote and the control box



If the Remote and Control box is properly connected and you are unable to control the fan or Remote appears not working, please follow the instruction below to pair the Remote and the Control box or contact our service center at 1-800-317-1688.



Scan QR code for YouTube video instruction.

OR

Search YouTube for:

“iLiving - How to pair Remote Control”

During the pairing process, it is necessary to confirm that only one control box is powered! The pairing steps are as follows:

1. Press and hold the Power button and load two AAA batteries.
2. Release the Power button and wait for the LCD to appear full (about 5 ~ 20 sec).
3. Press and hold the Power button to make the full screen reset (about 2~3 sec).
4. Pairing process has been completed.

Warranty Information

This product comes with a ONE-YEAR LIMITED COMPONENT WARRANTY. If your unit does not appear to be working properly, please contact our service center by calling 1-800-317-1688. Prior to your call, we encourage you to visit our service related website www.ilivingusa.com for troubleshooting tips and service instructions if needed.

Register your product at our website:



Or visit iLivingUSA.com/register-product

Feedback

Love it? Help us make the product more for you.



Let us know with a customer review.

Please visit: <https://www.amazon.com/review/review-your-purchases#>

At iLiving USA, we are committed to bringing top quality products to our customers.

iLIVING USA
9293 Beatty Dr,
Sacramento, CA 95826
Tel: 1-800-317-1688
Email: service@ilivingusa.com