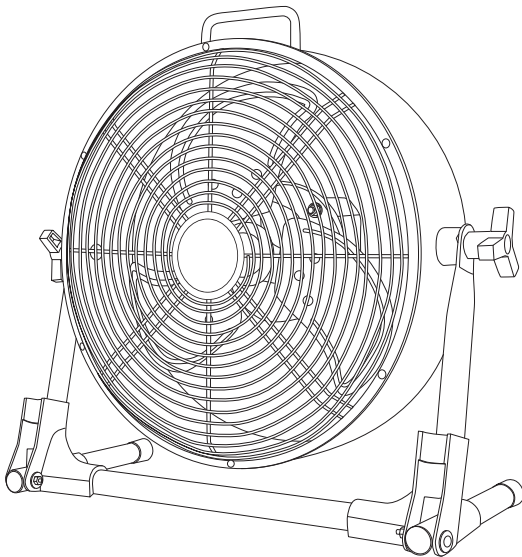
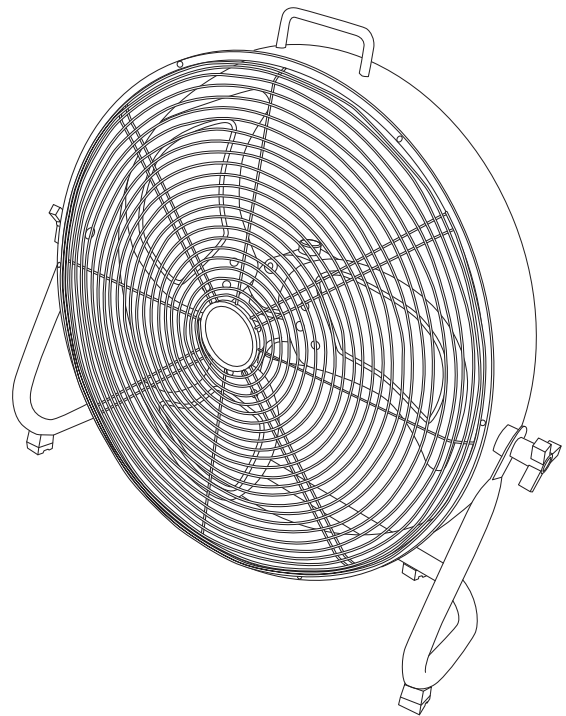




Rechargeable Portable Industrial Outdoor Fan  
Owner's Manual



Models: ILG8RX12



Models: ILG8RX18

PLEASE READ AND  
SAVE THESE INSTRUCTIONS

# IMPORTANT SAFETY INSTRUCTIONS

Read instructions carefully before assembling or installing your fan. It is important that you observe all safety information to help prevent personal injury and/or property damage.

1. Ensure that the power source conforms to the electrical requirements of the fan.
2. Do not kink the cord or allow it to contact oil, grease, chemicals, hot surfaces, or sharp or abrasive objects.
3. This fan is to be operated ONLY with its OSHA complying guard in place to prevent persons and objects from contacting the revolving propeller. Any other use voids warranty and may create unsafe conditions.
4. This fan is intended for general air circulation ONLY. It must NOT be used in potentially dangerous locations such as flammable, explosive, chemical-laden atmospheres. Do not attach ductwork to the air circulator.
5. Fan motor is thermally protected. Always unplug air circulator before removing guard or otherwise accessing the motor, as it may restart unexpectedly.
6. Do not operate any fan with a damaged cord or plug. Discard fan or return to an authorized service facility for examination and/or repair.
7. Do not run cord under carpeting. Do not cover cord with throw rugs, runners, or similar coverings. Do not route cord under furniture or appliances. Arrange cord away from traffic area and where it will not be tripped over.

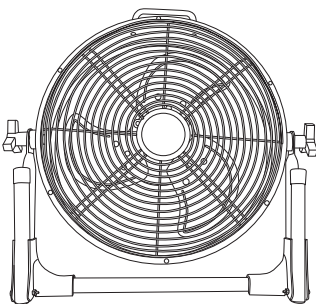


**WARNING** - Do not insert fingers or foreign objects into the air circulator. Do not block or tamper with the fan in any manner while it is in operation. Do not touch motor. May be hot enough to cause injury.

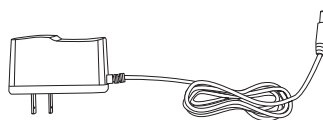
## UNPACKING

Contents:

- Rechargeable Fan ( Battery is in the fan. )
- Adapter
- Owner's Manual



Rechargeable Fan

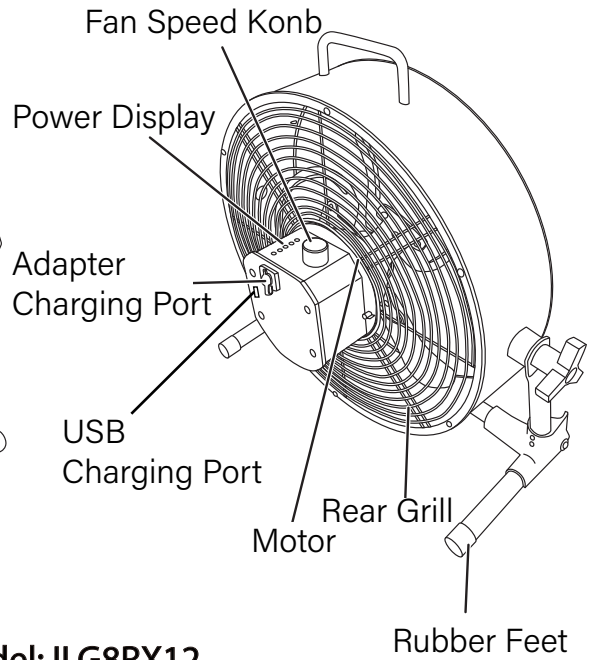
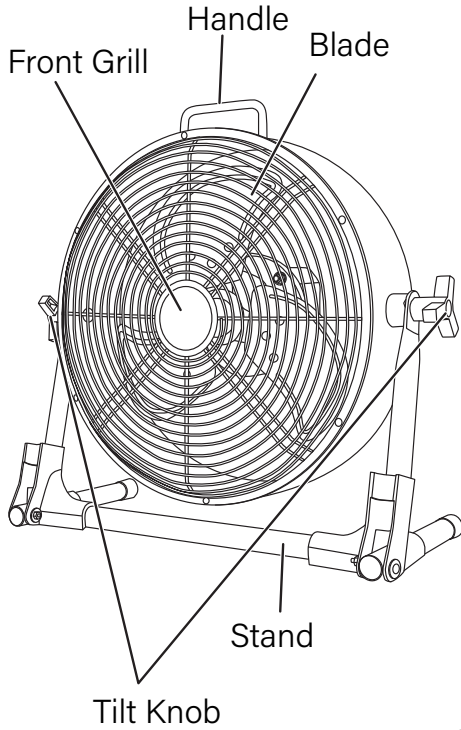


Adapter

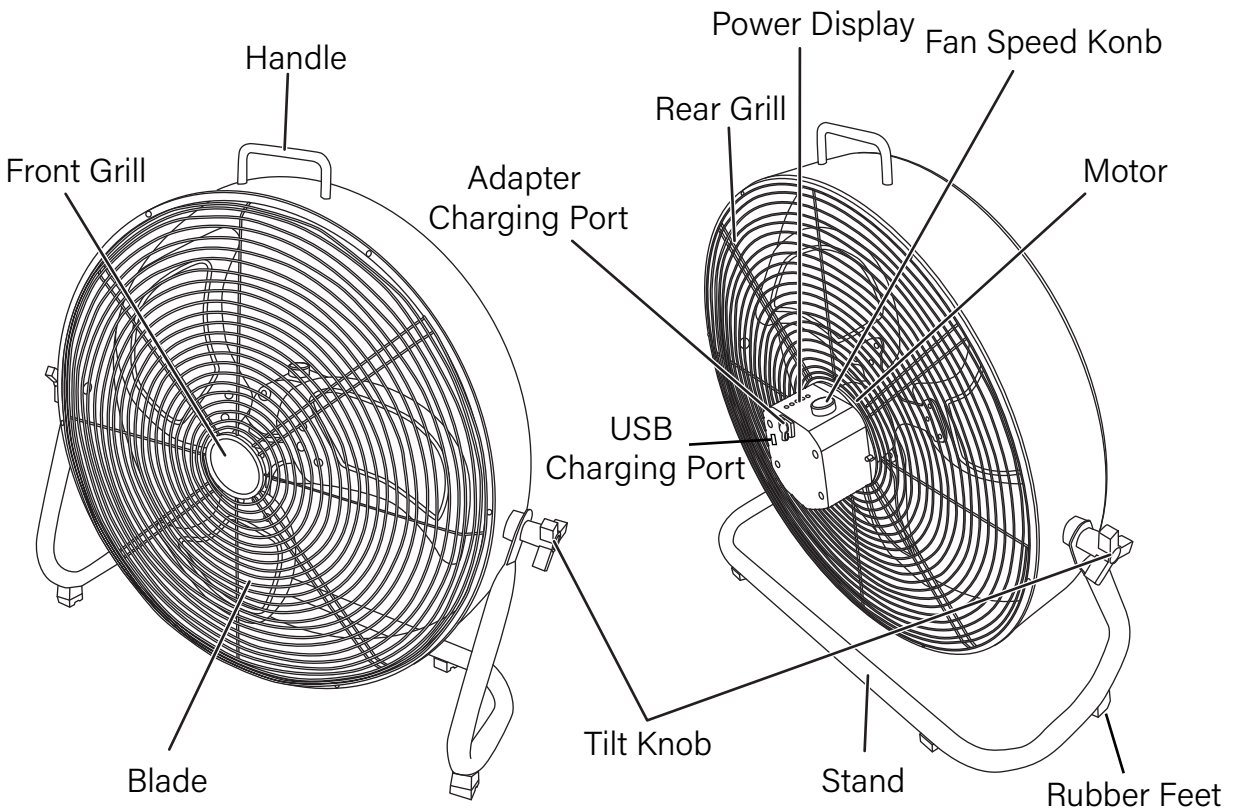


Owner's Manual

# PARTS OF THE FAN



**Model: ILG8RX12**

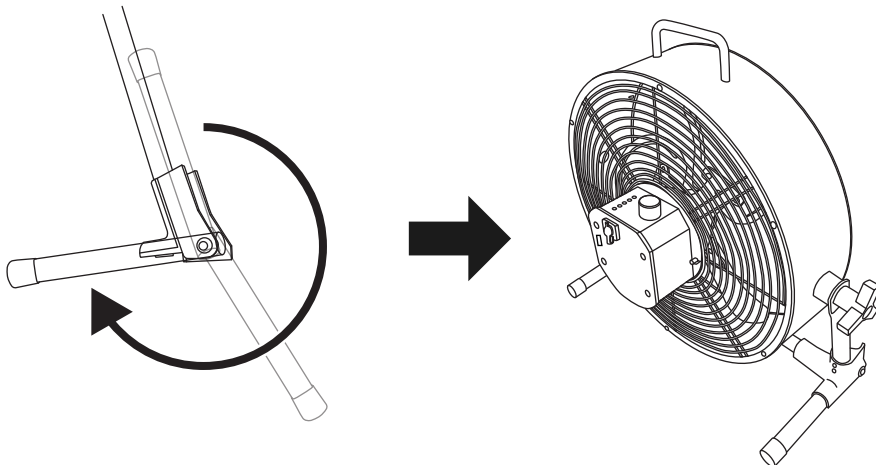


**Model: ILG8RX18**

SPECIFICATION		
Model#	ILG8RX12	ILG8RX18
Size	12"	18"
Wattage(W)	13	16
AMPS(A)	0.2	0.25
Adapter	Voltage(V)	120
	Frequenc (Hz)	60
	Cord length(Feet)	5.2
	Charging time	3h
Available duration	6~40h	4~30h
RPM	1360	1000
IP rating	IPX4	IPX4
Noise (dB)	58	58
Net Weight(LBS)	6.4	8.8

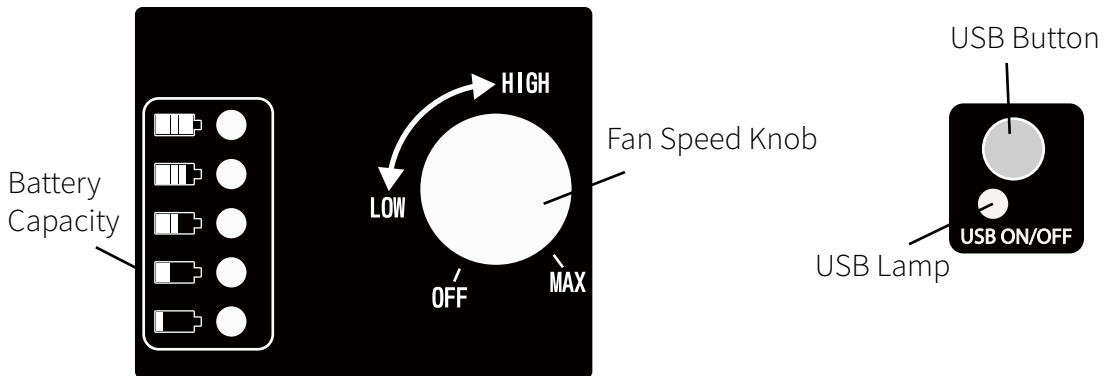
## OPERATING INSTRUCTIONS

For Model: **ILG8RX12**

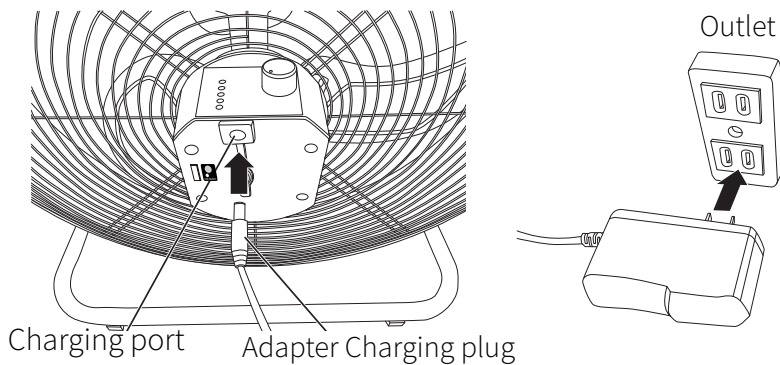


The stand is folded up when unpacking. Please adjust the position of the stand before use.

## Operation



1. Turn On the fan speed knob, the battery capacity lamp will light up.
2. Speed adjustment by the speed knob. For Model ILG8RX12, speed is continuously variable from 0 (min) to 1360(max) rpm. For Model ILG8RX18, speed is continuously variable from 0 (min) to 1000(max) rpm.
3. Adjust the fan speed to your desire comfortable rate.



5. Pull out the rubber stopper, insert the adapter charging plug. Connect the adapter to the outlet.
  6. During charging, all the battery capacity lamps will flash in sequence and light up the corresponding lamps as the power increases.
- Note:** When using the fan while charging with the adapter, the battery will stop charging. The battery capacity lamp will stop flashing, and only light up the corresponding lamp.  
\*The USB charging can still work.\*
7. When you want to charge your iphone or other electronic device, press ON the USB button, the USB lamp lights up. Now plug in a cable to charge it. When you want to stop charging, press OFF the USB button.
  8. The USB charging output is 5V/2.1A. When the adapter is not in use, the USB charging will power off automatically after 3 hours. When connecting the adapter, the USB charging works whether the fan works or not.

## MAINTENANCE



**WARNING:** Unplug from electrical supply source before cleaning. After servicing, any safety device (including grills and blades) must be reinstalled or remounted as previously installed.

1. Use soft damp cloth then wipe with dry cloth. Do not use harmful cleaners. Do not bend the blades.
2. Wash guards and blades with water and a soft brush. Avoid harsh chemical cleaners.  
DO NOT IMMERSE MOTOR IN WATER. Allow fan to dry completely before use.
3. Store the fan in a clean, dry place when not in use.

## Warranty Information

This product comes with a 1-YEAR LIMITED COMPONENT WARRANTY. If your unit does not appear to be working properly, please contact our service center by calling 1-800-317-1688. Prior to your call, we encourage you to visit our service related website [www.ilivingusa.com](http://www.ilivingusa.com) for troubleshooting tips and service instructions if needed.

Register your product at our website:



Or visit [iLivingUSA.com/register-product](http://iLivingUSA.com/register-product)

## Feedback

Love it? Help us make the product more for you.




Let us know with a customer review.

Please visit: <https://www.amazon.com/review/review-your-purchases#>

At iLiving USA, we are committed to bringing top quality products to our customers.

iLIVING USA  
860 Mahler Road,  
Burlingame, CA 94010  
Tel: 1-800-317-1688  
Email: [service@ilivingusa.com](mailto:service@ilivingusa.com)

 Like us on Facebook: <https://www.facebook.com/ilivingusa/>

 Follow us on Twitter: @iLIVINGUSA

Check out our website: [www.ilivingusa.com](http://www.ilivingusa.com)