

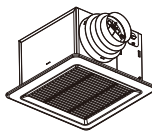


# Ventilating Fan

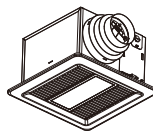
## INSTALLATION INSTRUCTIONS

Model No. \_\_\_\_\_

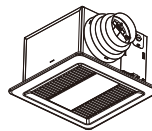
ILG8FV110



ILG8FV111



ILG8FV112



### READ AND SAVE THESE INSTRUCTIONS

Thank you very much for purchasing our ventilating fan. Please read these instructions carefully before attempting to install, operate or service our ventilating fan. Failure to comply with instructions could result in personal injury or property damage. Please retain this booklet for future reference.





### TABLE OF CONTENTS

UNPACKING .....	02
SUPPLIED ACCESSORIES .....	02
DESCRIPTION .....	02
GENERAL SAFETY INFORMATION .....	03
DIMENSIONS .....	04
WIRING DIAGRAM .....	05
FEATURE .....	05
INDICATION (PLUG AND PLAY FUNCTION DEVICES) .....	06
INSTALLATION I (NEW CONSTRUCTION) .....	07
INSTALLATION II (RETROFIT) .....	11
MAINTENANCE (CLEANING) .....	13
PRACTICAL GUIDE TO INSTALLATION .....	14
SPECIFICATIONS .....	14

## UNPACKING

Unpack and carefully remove the unit from carton.  
Refer to the supplied accessories list to verify that all parts are present.

## SUPPLIED ACCESSORIES

Part name	Appearance	Quantity
Louver		1
Suspension bracket assembly		1
Long screw (ST4X30)		5
Installation instructions		1

## DESCRIPTION

These ventilating fan models are listed by ETL under ETL file No.5011292.  
These ventilating fan models use a sirocco fan driven by a brushless DC motor.  
The motor is designed to have an extended service life with reduced energy consumption.  
The louver covering the fan body is a spring-loaded, quick remove type. A damper for preventing air counterflow is provided.  
The suspension bracket assembly can be used for both new construction and retrofit situation.  
The light uses high brightness SMD LED as light source to ensure the performance.

## GENERAL SAFETY INFORMATION

1. Do not install this ventilating fan where interior room temperature may exceed 104°F (40°C).
2. Make sure that the electric service supply voltage is AC 120V, 60Hz.
3. Follow all local electrical and safety codes, as well as the National Electrical Code (NEC) and the Occupation Safety and Health Act (OSHA).
4. Always disconnect the power source before working on or near the fan, motor, light fixture or junction box.
5. Protect the power cord from sharp edges, oil, grease, hot surfaces, chemicals or other objects.
- 6 Do not kink the power cord.
7. Do not install the unit where ducts are configured as shown in Fig.A.
8. Provide make up air for proper ventilation.
9. A statement to the effect that when the product is to no longer be used, it must not be left in place but removed, to prevent it from possibly falling.



Fig. A

### CAUTION:

1. For general ventilating use only. Do not use to exhaust hazardous or explosive materials and vapors.
2. Not for use in cooking area. (Fig.B)
3. This product must be properly grounded.

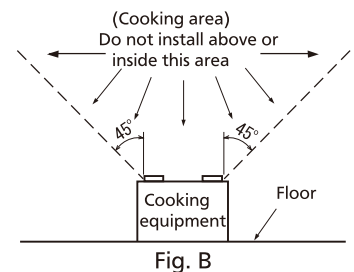


Fig. B

### WARNING:

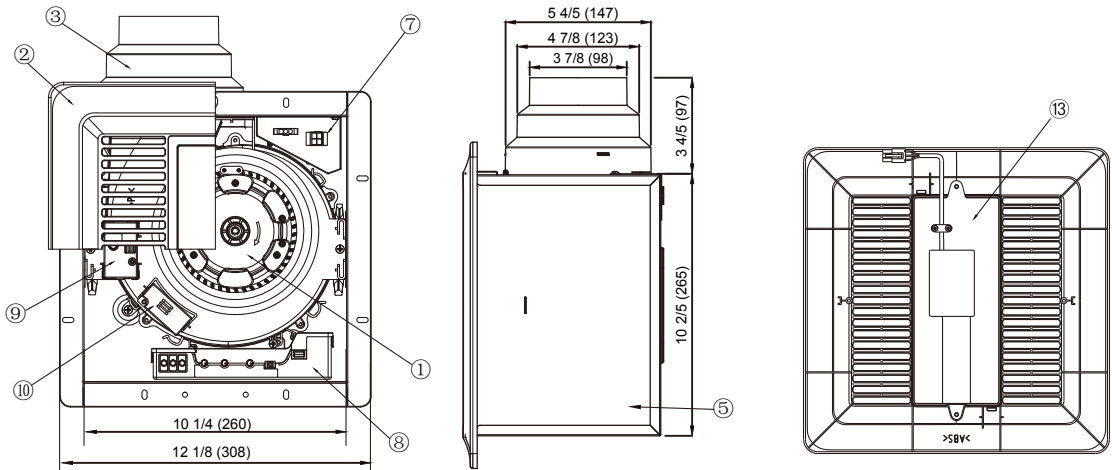
To reduce the risk of fire, electric shock or injury to persons, observe the following:

1. Use this unit only in the manner intended by the manufacturer. If you have any questions, contact with the manufacturer.
2. Before servicing or cleaning unit, switch power off at service panel and lock the service disconnecting means to prevent power from being switched on accidentally. When the service disconnecting means cannot be locked, securely fasten a prominent warning device, such as a tag, to the service panel.
3. Installation work and electrical wiring must be done by qualified person(s) in accordance with all applicable codes and standards, including fire-rated construction.
4. Sufficient air is needed for proper combustion and exhausting of gases through the flue (chimney) of fuel burning equipment to prevent back drafting. Follow the heating equipment manufacturer's guideline and safety standards such as those published by the National Fire Protection Association (NFPA), and the American Society of Heating, Refrigeration, and air conditioning Engineers (ASHRAE) and the local code authorities.
5. When cutting or drilling into wall or ceiling, do not damage electrical wiring and other hidden utilities.
6. Ducted fans must always be vented to the outdoors.
7. If this unit is to be installed over a tub or shower, it must be marked as appropriate for the application and be connected to a GFCI (Ground Fault Circuit Interrupter)-protected branch circuit.
8. These models are ETL listed for tub and shower enclosures.
9. Not to be installed in a ceiling thermally insulated to a value greater than R40. (This is required for installation in Canada only).

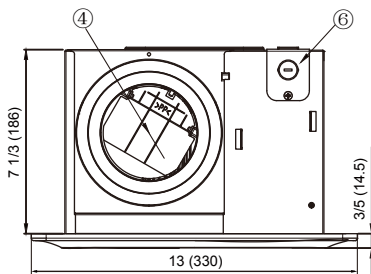
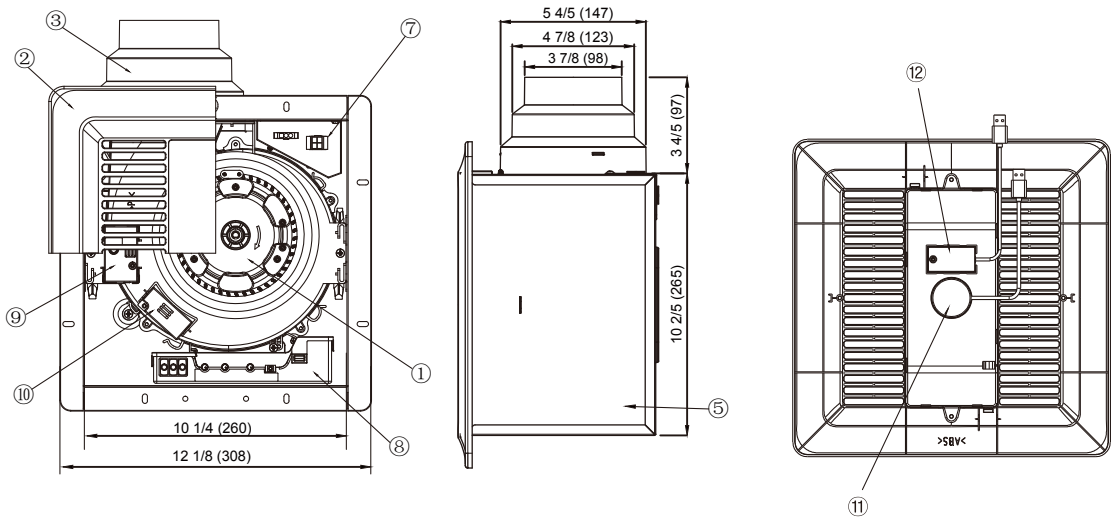
# DIMENSIONS

Model: ILG8FV111

Unit: inches(mm)



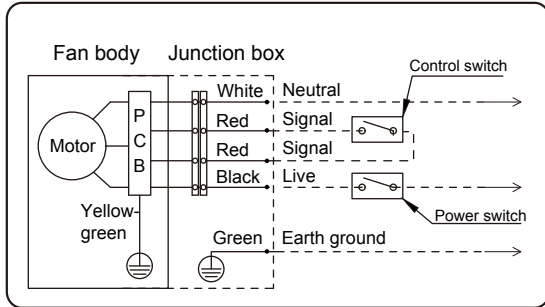
Model: ILG8FV112



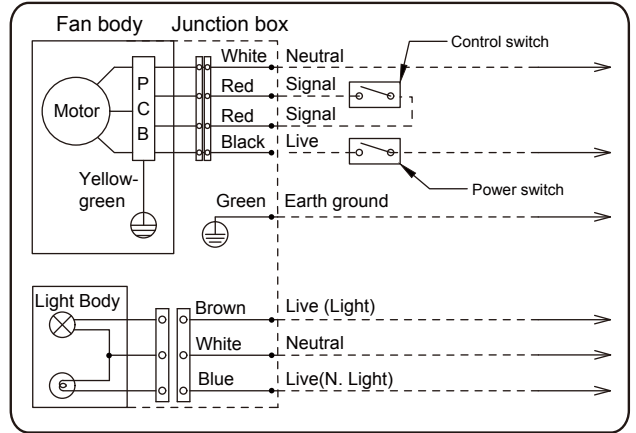
No.	Part name	No.	Part name
1	Blade	8	Base PCB box
2	Louver	9	Humidity sensor module
3	Adaptor	10	CO <sub>2</sub> sensor module
4	Damper	11	Night light module
5	Frame assy	12	Motion sensor module
6	Knockout plate	13	LED light
7	Junction box		

## WIRING DIAGRAM

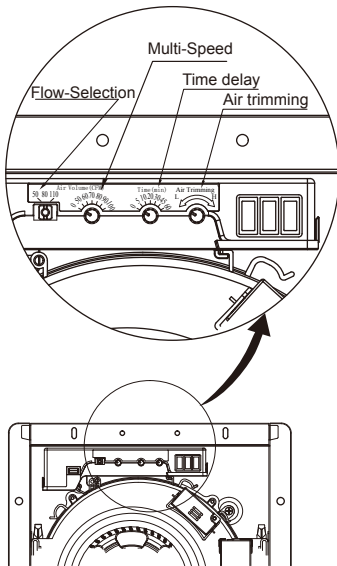
Model: ILG8FV110/ LG8FV112



Model: ILGFV111



## FEATURE



All fans come with Flow-Selection speed switch, Multi-Speed switch, Time Delay switch and Air Trimming switch.

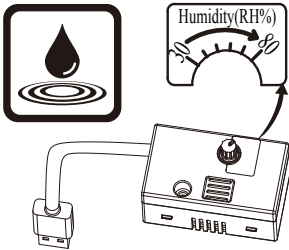
- **Flow-Selection.** The switch with choosing option 50-80-110CFM is set on the PCB box and is default high speed.
- **Multi-Speed.** The switch allows the fan to run at the lower speeds continuously to meet Indoor Air Quality. As an example, when Flow-Selection setting is 80CFM, Multi-Speed can be chosen 0, 50, 60, or 70CFM as a low speed.
- **Time Delay.** The switch is for time delay setting. Setting range is 0, 5, 10, 20, 30, 45 or 60 minutes.
- **Air Trimming switch.** The switch is for micro-adjusting the air volume when the actual airflow is lower than set.

### INSTRUCTIONS:

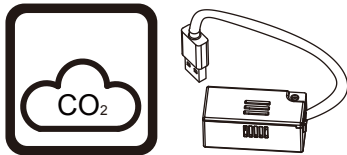
Firstly, the power switch should be turned on.

- ① When the control switch is turned on, the fan runs at high speed continuously only. The sensors will not work and Time delay switch does not apply to this mode.
- ② When the control switch is turned off, the fan runs at chosen low speed on Multi-Speed switch continuously, and boosts in high speed when the sensor detects. The fan runs at high speed for amount of time that selected from the Time Delay switch before returning to low speed when the sensor stops detection.

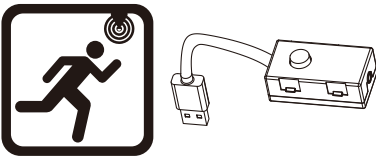
## INDICATION (PLUG AND PLAY FUNCTION DEVICES)



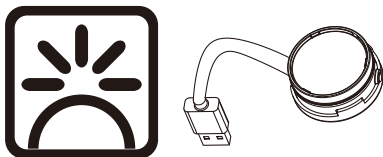
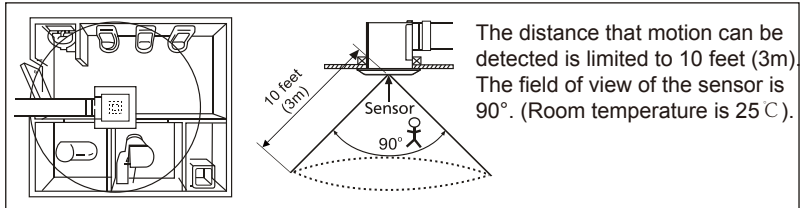
- Humidity sensor module. It should be inserted into USB interface. The fan runs or boosts to high speed when humidity value reaches setting. The fan runs in low speed after a period of time delay or stops working when humidity value is lower than setting. Humidity detection value setting range: 30% - 80%



- CO2 sensor module. It should be inserted into USB interface. The module begins to detect environmental CO2 concentration when fan is on for 2 minutes, then the fan starts to run or boosts to high speed when concentration level is over 1000PPM. The fan runs in low speed after a period of time delay or stops working when concentration level is less than 800PPM.



- Motion sensor module. It should be inserted into USB interface. The fan runs or boosts to high speed when motion sensor begins to detect. The fan runs in low speed after a period of time delay or stops working when you are out of detection range. Motion Sensor detection range as below,



- Night Light module. It should be inserted into USB interface. Night Light module automatically turns on according to environmental brightness. The night lamp turns on automatically when environmental ray is weak. The night lamp goes off automatically when environmental brightness is strong.

The modules can be selected for 3 installation positions at most. Optional modules and corresponding models are listed as follows.

### Notes:

All module sold separately, not included in base fan model.

Model	Module				LED light&Night light
	CO <sub>2</sub> Sensor	Humidity sensor	Motion sensor	Night light	
ILG8FV110	○	○	×	×	×
ILG8FV111	○	○	×	×	○
ILG8FV112	○	○	○	○	×

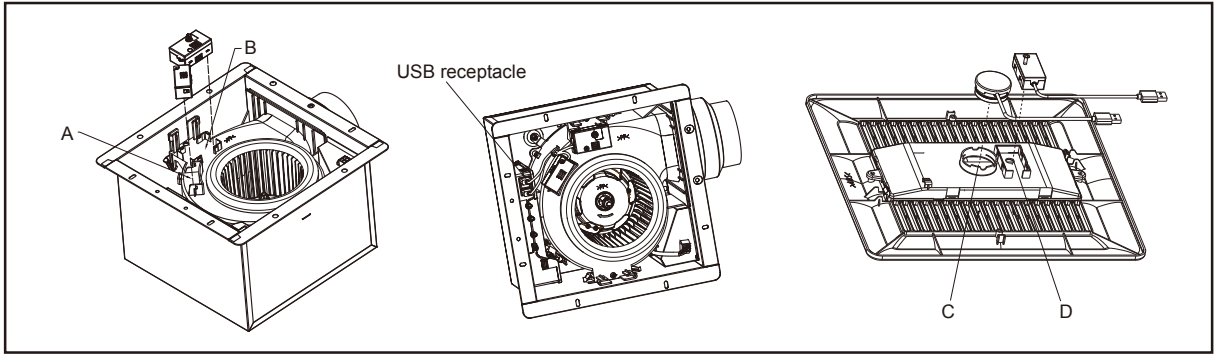
※ "○"representative can be used, "×"representative can not be used.

## INSTALLATION (PLUG AND PLAY FUNCTION DEVICES)

You can purchase the specified PLUG AND PLAY devices that are explained on page 6 and install them in positions.

Position A is for CO<sub>2</sub> Sensor module, position B is for Humidity Sensor module, position C is for Night Light module, position D is for Motion Sensor module.

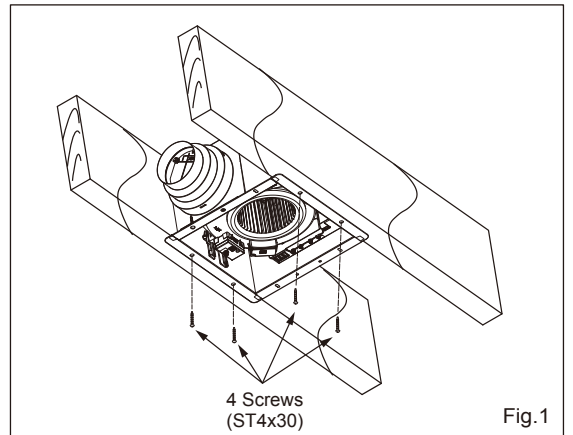
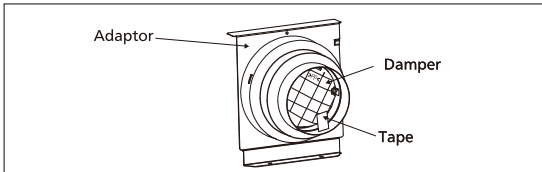
1. Fix to the specified devices to the slot, till hear the sound installed in place.
2. Access USB interface, insert the connector of module into USB receptacle.



## INSTALLATION I (NEW CONSTRUCTION)

**! CAUTION:**  
Please wear gloves during the installation work.

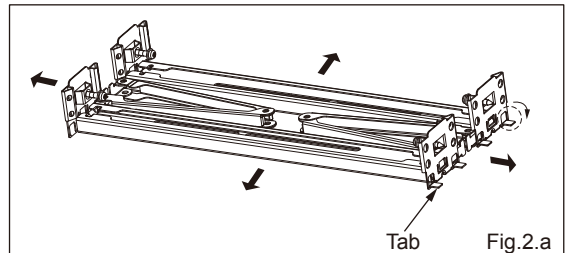
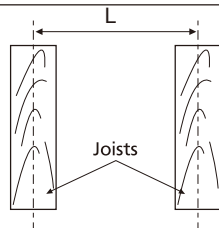
**IMPORTANT:**  
Remove the tape from damper and adaptor before installation. As shown below:



**Joist situation:**

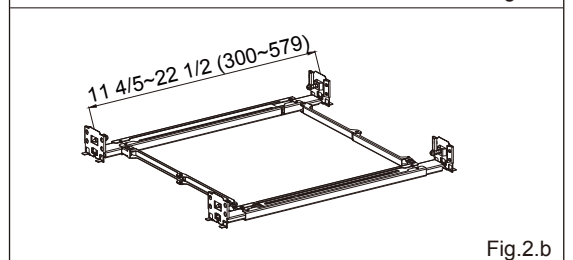
Two cases of spacing L :

- △ A 12 inches (305 mm)
- △ B 16~24 inches (406~610 mm)



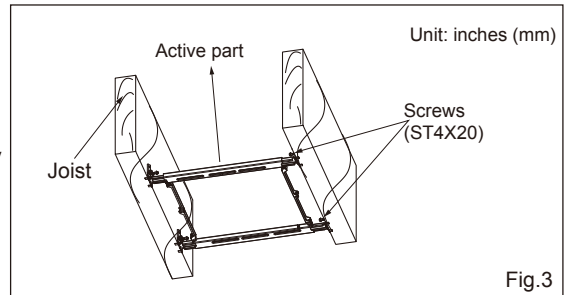
△ A If the spacing L is 12 inches (305 mm) on joists, please follow the installation step as (Fig.1). Secure 4 screws (ST4X30) at flange of frame to the joists. Then follow step 6 to 9 of installation (page 6-8) to complete the installation.

△ B If the spacing L is 16~24 inches (406~610 mm), please use the suspension bracket assembly.

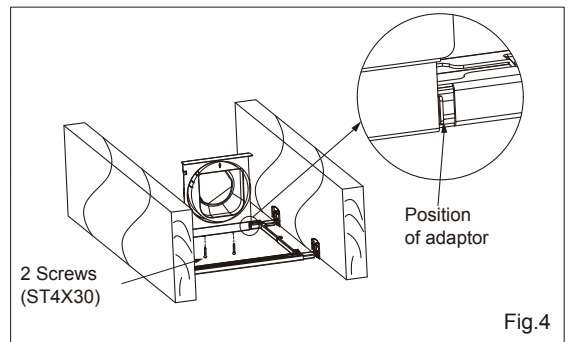


## INSTALLATION I (NEW CONSTRUCTION) CONTINUED

1. Bend down 8 tabs for positioning as (Fig.2.a) and unfold the bracket assembly as (Fig.2.b).
2. Fix one side of the bracket assembly to the joists by drilling 2 tapping screws (ST4x20) which have been fixed on it. (Fig.3)

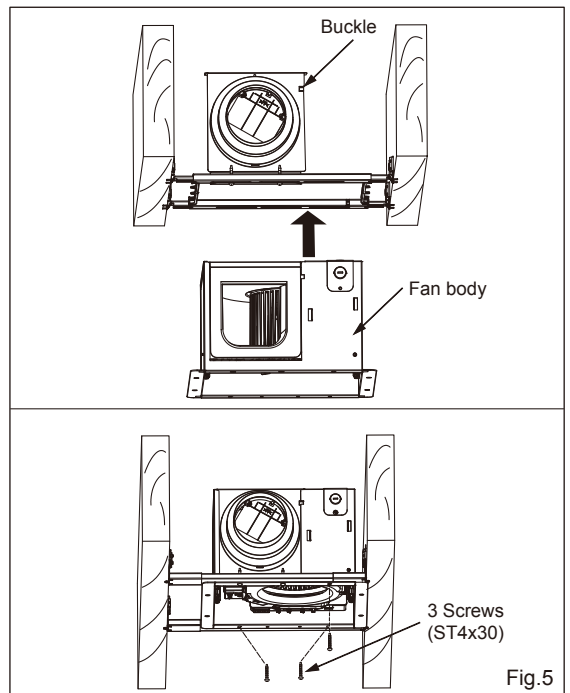


3. Adjust the length of bracket assembly as the spacing between joists, and install to joist by drilling the other 2 tapping screws which have been fixed on the other side. Adjust the active part of bracket assembly to the right position. (Fig.3)
4. Place the adaptor on the bracket assembly as indicative position, and install it by using 2 self-drilling screws (ST4X30). (Fig.4)



5. Push the fan body upwards until the fan body is stuck by the buckle on the adaptor and secure the fan body by using the other 3 self-drilling screws (ST4X30). (Fig.5)

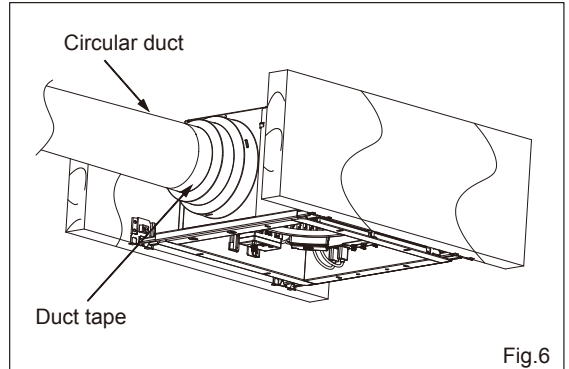
**! CAUTION:**  
Hold the fan body by your hand to prevent falling before fixing the screws.





## INSTALLATION I (NEW CONSTRUCTION) CONTINUED

6. Install a circular duct and secure it with clamps or ties and seal it with mastic or approved duct tape. A 4" or 5" or 6" circular duct is needed to connect to relevant part of adaptor. (Fig.6)



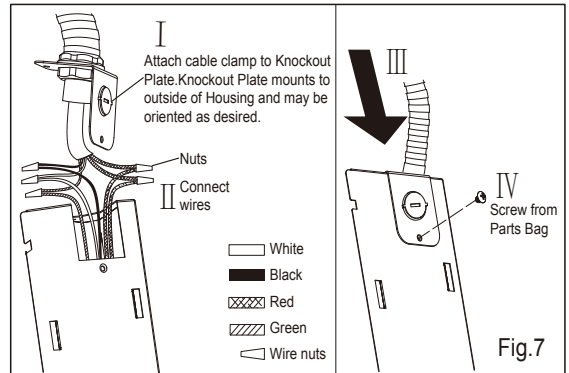
7. Remove the knock-out plate and secure conduit or stress relief to knock-out hole. (Fig.7. I)

Refer to wiring diagram on page 4.

Use UL approved wire nuts, connect house power wires to the ventilating fan wires (Fig.7. II), then fix it to fan body.

### IMPORTANT:

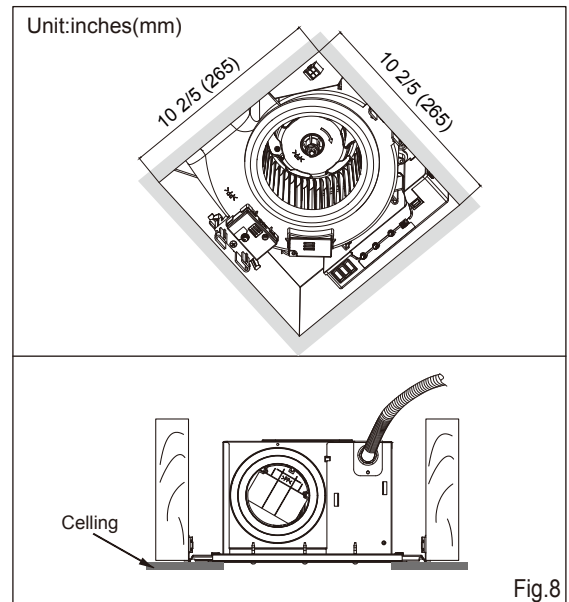
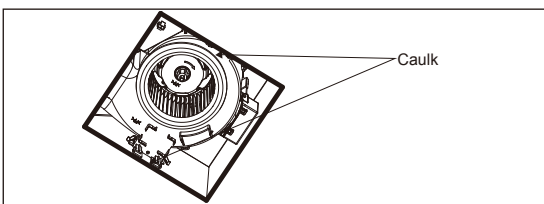
Follow all the local electrical safety codes as well as the National Electrical Code (NEC).



8. Finish ceiling work. Ceiling hole be aligned with the inside edges of the flange. (Fig.8)

### IMPORTANT:

After finishing the ceiling work, fill gap between flange and ceiling with caulk or other sealant to prevent air leakage.

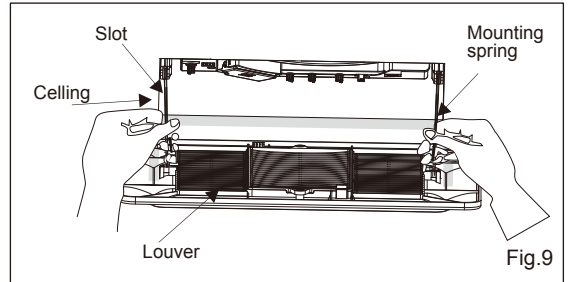


## INSTALLATION I ( NEW CONSTRUCTION ) CONTINUED

9. Insert mounting springs into slots and mount louver to fan body ( Fig.9)

### Notes:

Suitable for use with solid-state speed controls. Solid-state speed controls may cause harmonic distortion which can cause motor humming noise.

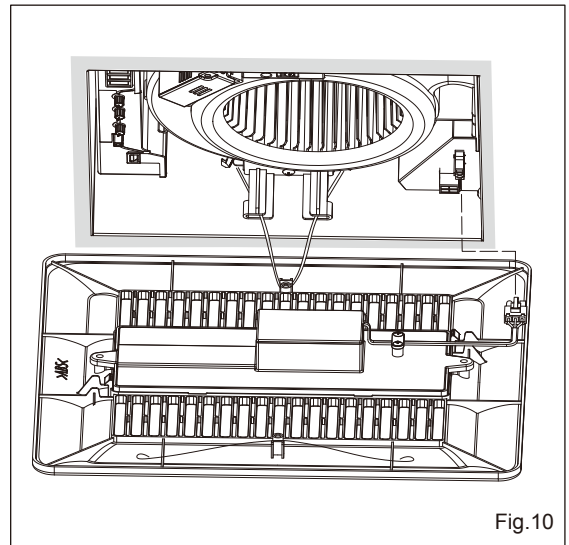


10. The louver with LED light, refer to the following installation method.

### CAUTION:

1. Before turning on the light, make sure the connector is at the correct position. If not, the lighting cannot work.
2. The claw of connector must latch the rib completely. (Fig.10)

- Insert the louver mounting spring on the wiring side into the slot. (Fig.10)
- Insert the plug connector into the housing of the lighting unit and insert the other mounting spring into the slot as shown and mount louver to fan body. (Fig.10, Fig.11)

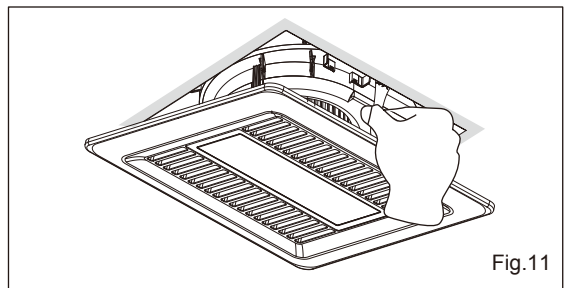


### CAUTION:

Mount carefully so that lead wire of light unit is not pinched.

### Notes:

Stable for use with solid-state speed controls. Solid-state speed controls may cause harmonic distortion which can cause a motor humming noise.



## INSTALLATION I (NEW CONSTRUCTION) CONTINUED

11. The louver with a module, refer to the following installation method.

Insert the louver mounting spring on the wiring side into the slot.

Insert the USB connector into the USB receptacle and insert other mounting spring into the slot as shown and mount louver to fan body.

(Fig.12)

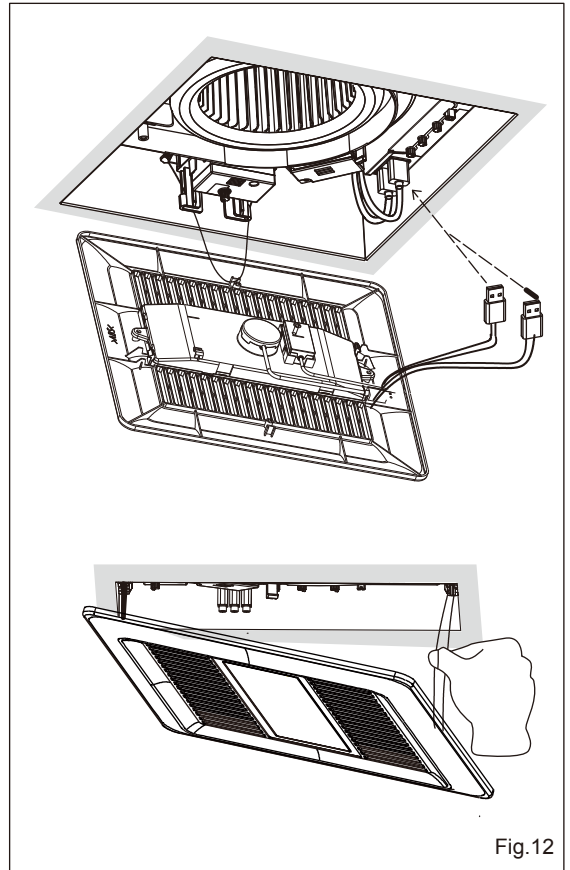


Fig.12

## INSTALLATION II (RETROFIT)

1. Put the folded bracket assembly into ceiling from the hole, then follow step 3-4 of installation I (NEW CONSTRUCTION) (page 5) to complete the bracket installation work. (Fig.13)

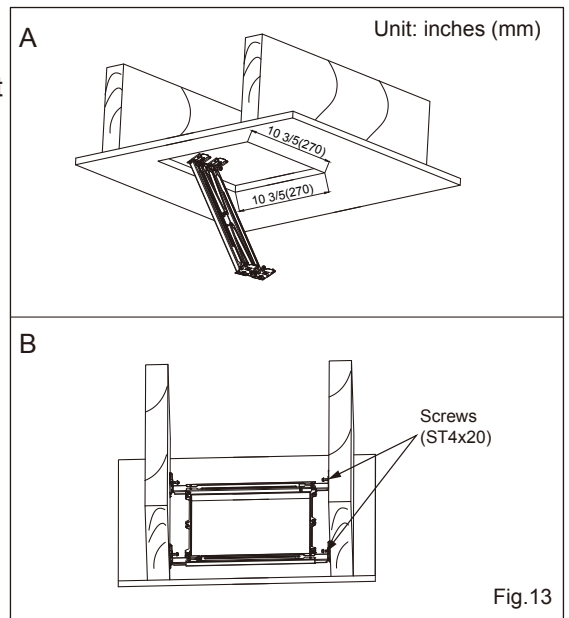
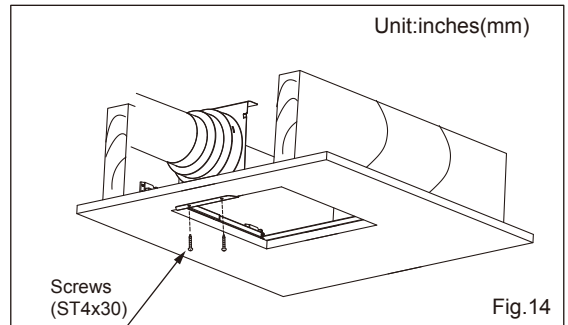


Fig.13

## INSTALLATION II (RETROFIT) CONTINUED

2. Install a circular duct and secure it with clamps or ties and seal it with mastic or approved foil tape. A 4" or 5" or 6" circular duct is needed to connect to relevant part of adaptor. (Fig.14)

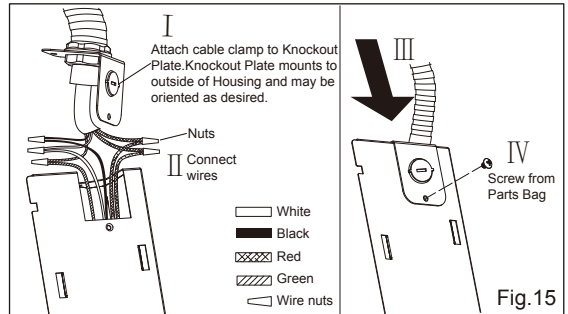
Follow step 4 of installation I (NEW CONSTRUCTION) (page 6) to complete the adaptor installation. (Fig.14)



3. Remove the knock-out plate and secure conduit or stress relief to knock-out hole. (Fig.15)

Refer to wiring diagram on page 4.

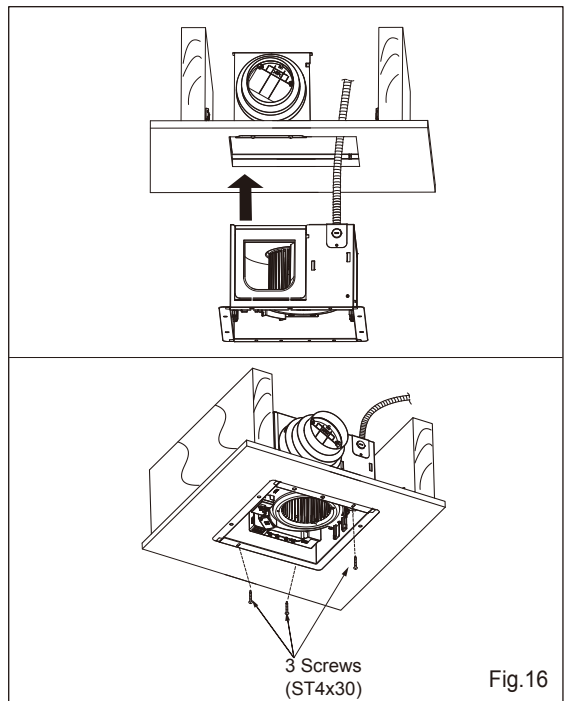
Use UL approved wire nuts, connect house power wires to the ventilating fan wires (Fig.15), then fix it to fan body.



### IMPORTANT:

Follow all the local electrical safety codes as well as the National Electrical Code (NEC).

4. Push the fan body upwards until the fan body is stuck with the joint, and secure them by using the other 3 self-drilling screws (ST4X30) (Fig.16)
5. Follow step 10 of installation (NEW CONSTRUCTION) (page 7-8) to complete the installation work.



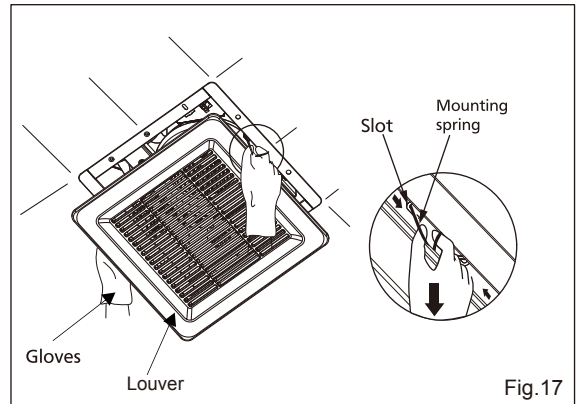
## MAINTENANCE (CLEANING)

### WARNING:

Disconnect power source before working on unit.  
Routine maintenance must be done every year.

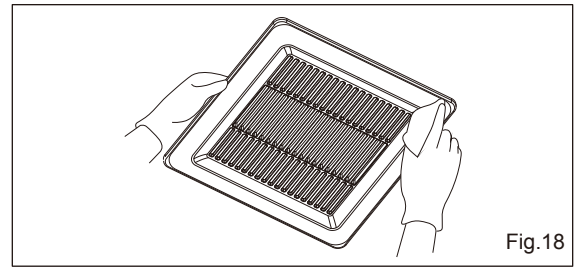
### CAUTION:

1. Never use gasoline, benzene, thinner or any other such chemicals for cleaning the ventilating fan.
2. Do not immerse motor in water when cleaning.
3. Do not soak resin parts in water over 140°F (60°C).



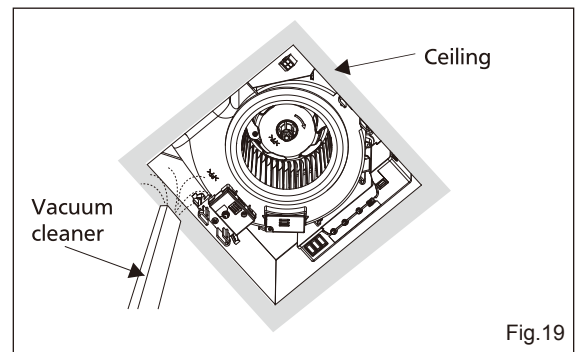
1. Remove louver. (Squeeze mounting spring and pull down carefully). (Fig.17)

2. Clean louver. (Don't put into hot water. Use non-abrasive kitchen detergent, wipe dry with clean cloth). (Fig.18)

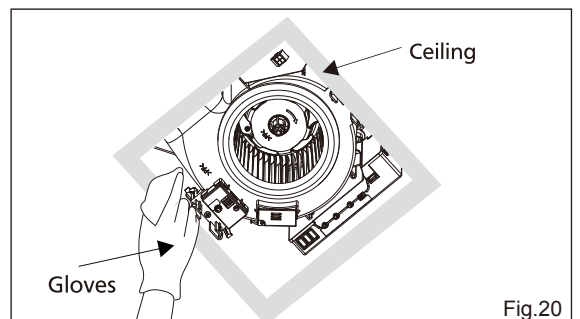


3. The louver should be dry after cleaning.

4. Remove dust and dirt from fan body using a vacuum cleaner. (Fig.19)



5. Using a cloth dampened with kitchen detergent, remove any dirt from fan body. Wipe dry with clean cloth. (Fig.20)



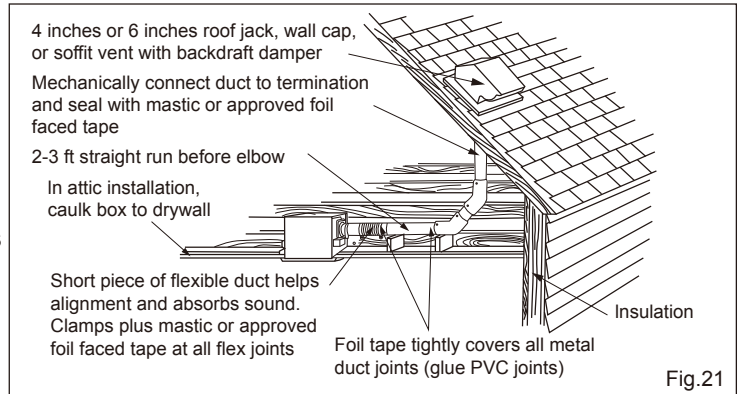
6. Reinstall louver.

## PRACTICAL GUIDE TO INSTALLATION

Properly insulate the area around the fan to minimize building heat loss and gain. (Fig.21)

Loose fill or batt insulation can be placed directly over the fan housing in the attic.

The fans and fan/light combination units do not create excessive heat that is a common problem with recessed light fixtures or some competitors' fan / light combinations. our efficient, cool-running motors and our LED lighting unit do not create enough ambient heat to be subjected to these limitations.



The ducting from this fan to the outside of the building has a strong effect on the air flow, noise and energy use of the fan. Use the shortest, straightest duct routing possible for best performance, and avoid installing the fan with smaller ducts than recommended. Insulation around the ducts can reduce energy loss and inhibit mold growth. Fans installed with existing ducts may not achieve their rated air flow.

## SPECIFICATIONS

Model No.	Air direction	Voltage (V)	Frequency (Hz)	Duce diameter (inches)	Noise (Sones)	Power consumption (W)			Speed (rpm)	Air volume at 0.1" WG (CFM)
						Fan	light	N.light		
ILG8FV110 ILG8FV112	Exhaust	120	60	4" 5" 6"	<0.3	6			901	50
					<0.3	6.8			936	60
					0.3	7.8			954	70
					0.4	8.8			987	80
					0.6	11			1037	90
					0.8	12.8			1079	100
					1.0	16			1159	110
ILG8FV111	Exhaust	120	60	4" 5" 6"	<0.3	5.8	10	0.7	871	50
					<0.3	6.7	10	0.7	888	60
					<0.3	7.7	10	0.7	922	70
					0.3	8.8	10	0.7	945	80
					0.5	10.8	10	0.7	1000	90
					0.7	12.6	10	0.7	1044	100
					0.9	15.2	10	0.7	1095	110

## WARRANTY

---

This Ventilating Fan comes with a ONE-YEAR LIMITED COMPONENT WARRANTY. If your unit does not appear to be working properly, please contact our service center by calling 1-800-317-1688. Prior to your call, please have your product's model number, serial number, and purchase receipt/invoice ready so that we may assist you more expediently.

iLIVING USA  
239 Harbor Way  
South San Francisco, CA 94080  
Tel: 800-317-1688  
Email: [service@ilivingusa.com](mailto:service@ilivingusa.com)



Like us on Facebook: <https://www.facebook.com/ilivingusa/>



Follow us on Twitter: [@iLIVINGUSA](https://twitter.com/iLIVINGUSA)

Check out our website: [www.ilivingusa.com](http://www.ilivingusa.com)