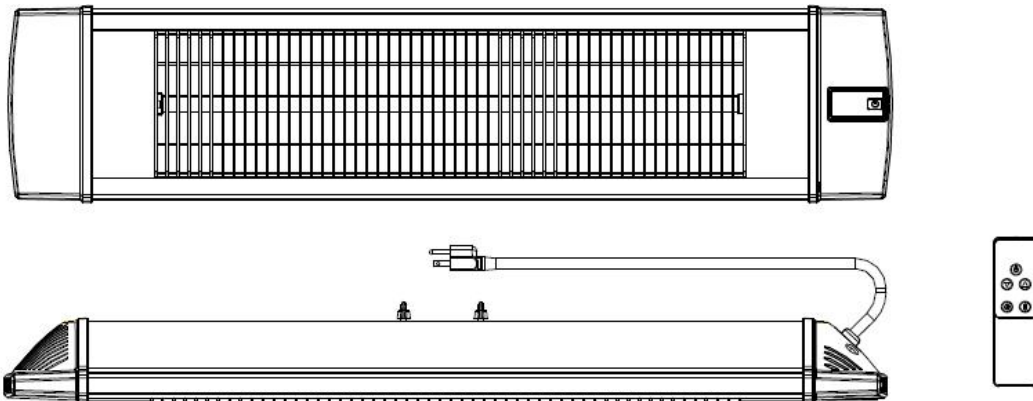




Carbon Infrared Heater Indoor/Outdoor



Owner's Manual Model No.: DR-238

Recommended primarily
for sheltered **EXTERNAL** use.
Do **NOT** expose to rain or moisture.

READ AND SAVE THESE INSTRUCTIONS

Carefully read and review before attempting to assemble, install, operate, or maintain this product. Observe all safety instructions and information.

**FAILURE TO FOLLOW WARNINGS & OPERATIONAL INSTRUCTIONS
CONTAINED IN THIS MANUAL CAN RESULT IN SEVERE
PROPERTY DAMAGE AND/OR PERSONAL INJURY.**

DO NOT RETURN TO PLACE OF PURCHASE!

Please contact our Toll Free Hotline:

(800) 317-1688

for customer service & warranty issues

Warning

THESE INSTRUCTIONS SHOULD BE READ CAREFULLY AND RETAINED FOR FUTURE REFERENCE,
We cannot be liable for any damages caused by failure to observe these instructions.

IMPORTANT SAFETY INSTRUCTIONS

READ CAREFULLY-The infrared heater is designed for safe operation. Nevertheless, installation, maintenance and operation of the heater can be dangerous. Observing the following procedures will reduce the risk of fire, electric shock, injury to persons and keep installation time to a minimum. Save these instructions for future used.

1. Read all instruction before using this heater.
2. Remove the unit from its packaging and check to make sure it is in good condition before using.
3. Do not let children play with parts of package (such as plastic bags).
4. Check the household voltage to ensure it matches the heater's rated specification.
5. Check the power cord and plug carefully before used, to make sure that they are not damaged.
6. Before unplugging the power cord, be sure to turn off the power, when energizing the unit, be sure your hands are dry to prevent from electric shock.
7. Do not use flammable objects near or point the heater like furniture, pillows. bedding, paper, clothes and curtains at least 3 feet (1meter) from the front of the heater and keep them always the sides and rear.
8. Do not use near or in the immediate vicinity of a bath or swimming pool or any source of liquid.
9. To protect against electric shock, do not immerse cord or plug in water or any other liquid.
10. Do not insert or allow foreign objects to enter any ventilation or exhaust opening, as this may cause an electric shock, fire or damage to the heater.
11. Always unplug the heater when not in use.
12. Do not allow cord to overhang the counter top where it can be easily pulled by children.
13. Do not put fingers or foreign objects into the grill while in operation.
14. Do not leave the appliance unattended when in use.
15. This heater is not intended for use in bathrooms, laundry and similar indoor locations, never located heater where it may fall into a bathtub or other water container.
16. No liability can be accepted for any damage caused by non compliance with these instructions or any other improper use or mishandling.
17. This appliance is not intended for use by persons (including children) with reduces physical, sensory or mental capabilities or lack of experience and knowledge unless they have been given supervision or instruction concerning the use of the appliance by a person responsible for their

safety. Children and vulnerable people should be supervised to ensure they do not play with the appliance.

18. If the supply cord is damaged in any way, it must be replaced by the manufacturer or its service agent or a similarly qualified person in order to avoid a hazard.

19. To prevent overheating of this appliance, keep the air inlets and outlets clean and free of anything that may cause blockage. Check all inlets and outlets from time to time to ensure it is clear of any dirt or dust accumulation. **DO NOT COVER.**

20. Parts of the heater may exceed 200°C, contact with the heating tube, reflector, or metal parts near the heating tube, may cause severe BURNS. To avoid burns, do not let bare skin touch hot surface.

21. NEVER place hands under the heating elements. ALWAYS allow heating element to cool at least 10 minutes before touching the heating tube or adjacent parts.

22. This product contains recyclable materials. Do not dispose this product as unsorted municipal waste. Please contact your local municipality for the nearest collection point.

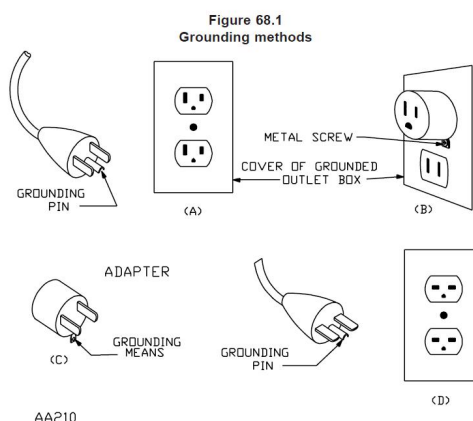
23. Always plug heater directly into a wall outlet/receptacle. Never use with an extension cord or relocatable power tap (outlet/power strip).

Introduction

The DR-238 carbon infrared heaters produce instant and comfortable heat like the sun. These robust and weatherproof heaters are designed for domestic and commercial heating applications within outdoor areas, it is for outdoor use only.

Model	DR-238
Voltage(V)	110-120V AC
Wattage(W)	1500W
Hertz (Hz)	60
Dimensions W×H×D(in.)	34.6 x 6.27 x 3.33
Weight (lb)	6.5

This heater is for use on 120 volts. The cord has a plug as shown at A in Figure 68.1. An adapter as shown at C is available for connecting three-blade grounding-type plugs to two-slot receptacles. The green grounding lug extending from the adapter must be connected to a permanent ground such as a properly grounded outlet box. The adapter should not be used if a three-slot grounded receptacle is available.



INSTALLATION

Tools Needed:

* Pencil *Hammer *Level *Screw Driver *Power Drill and drill bits

A mounting bracket is provided with the heater which has been specifically designed to allow this product to be fitted to ceiling or wall before drilling the holders for the ceiling/wall is solid and that there are no hidden water pipes or electric wires.

ATTENTION! The appliance must be installed on the solid surfaces like concrete, wood or metal etc.

Important: Ensure that the supply cables is well mounted and that it does not come into contact with reflector of the heater or that does not trail into heated area, the supply cable can be fixed to the metal mounting bracket behind heater with plastic zip ties.

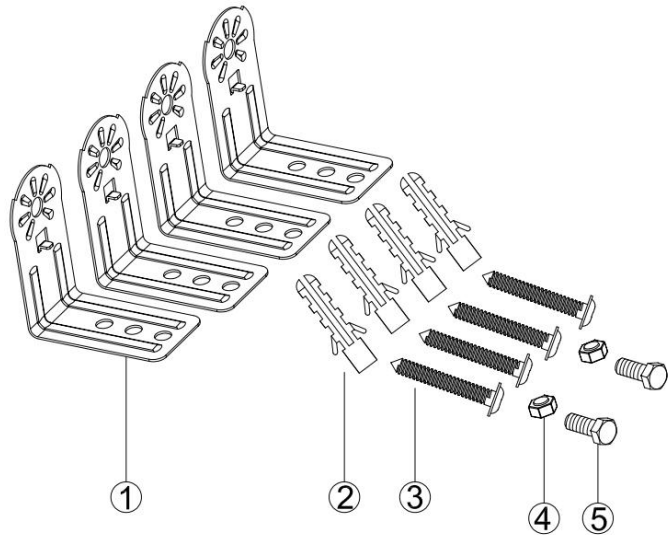
1. This heater should be installed by a competent person, i.e. a qualified electrician.
2. Always disconnected the heater from the electricity supply and allow it to cool before installation.
3. This heater can be mounted in a horizontal or vertical manner, but for a higher efficiency we recommend horizontal usage.
4. For both wall and ceiling mounting, the lowest part of the heater must be located at or above a minimum height of 2.4m/94.5" from ground level, so that the heater can not be touched when in operation.
5. For wall mounting, there must be a 2.4m/94.5" distance from your appliance to the ground. For ceiling mounting, there must be a 2.4m/94.5" distance from your appliance to the ground.
6. For both horizontal and vertical mounting on the wall, there must be a min. distance of 0.4m/15.8" between the appliance and the ceiling.
7. The distance from your appliance from the corners should be min. 0.4m/15.8" for vertical use and min. 0.5m/19.7" for horizontal use.
8. When installed to the ceiling, there must be a distance of 0.5m/19.7" between corners and the appliance.
9. The distance of your appliance from the living beings is to be min 1m/39.4".
10. The distance from the front side of the heater to materials such as wood, carton, cloth etc., must be min 1m/39.4".
11. When mounting horizontally or to a ceiling, do not position the heater at an angle more than 90° and less than 45° .
12. The supply cable must be at the lower end of the heater if the heater is installed at an angle or vertically.
13. Keep the supply cord away from the body of the heater which will get hot during use.
14. Do not install the heater on an inflammable surface.
15. Observe the minimum safe distance between the heater body and the inflammable surfaces when mounted.
16. The heater should always have a minimum clearance of 0.5m/19.7" from the adjacent wall.
17. If the heater is to be used outside, a weatherproof outlet is recommended.
18. Before drilling ensure that there are no wires or water pipes in the area where the heater is to be installed.
19. The heater must be installed on the mounting brackets provided.

20. Fasten the brackets securely to the mounting surface and the backside of the heater using the nuts and screws supplied.
21. Fasten the heater securely on the brackets using the nuts and bolts supplied.
22. The brackets can be used to adjust the direction of the heater, adjust the heater angle by loosening the two bolts on the wall mounting bracket, tighten the bolts again when the desired angle is reached.

Installation

Accessories parts

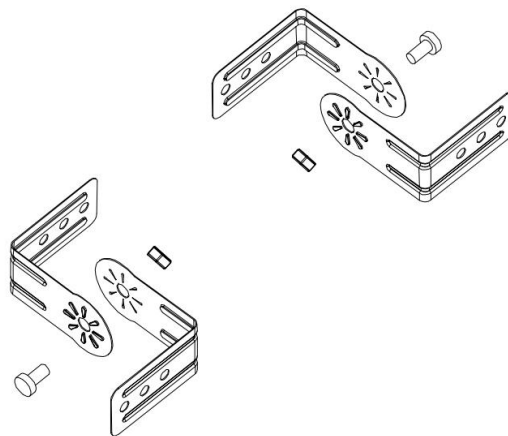
- | | |
|---------------------|------|
| 1. L shaped bracket | 4pcs |
| 2. Plastic anchor | 4pcs |
| 3. Screw M5*25mm | 4pcs |
| 4. Nut M6 | 2pcs |
| 5. Screw M6*12mm | 2pcs |



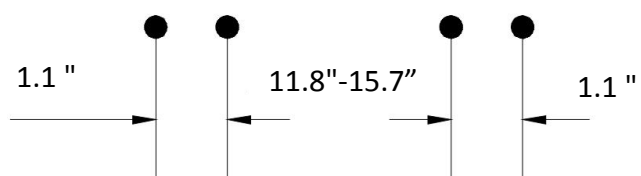
Mounting step

1. L shaped Bracket installation

Fasten the L shaped bracket using the screws and nuts provided (no.4 and no.5)

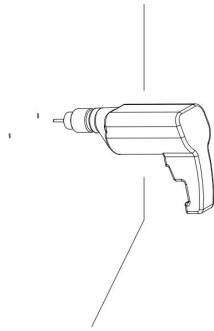


2. Mark holes on the place where the heater to be mounted with a pencil

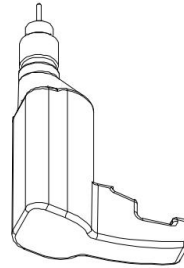


3. Drill holes with a smaller diameter drill bit than the plastic anchors

Wall

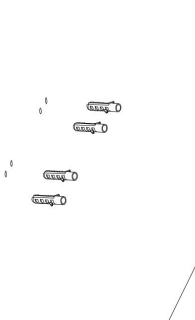


CEILING



4. Insert the point end of plastic anchor into the holes, Tap the anchor with a hammer until the anchor is flush

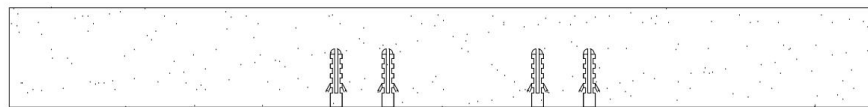
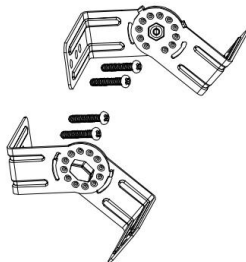
Wall



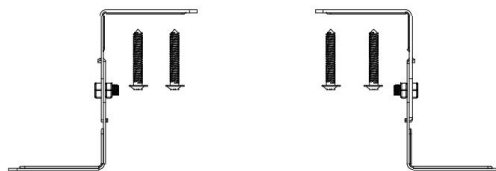
CEILING

5. Using a screwdriver attach the mounting bracket to the holes which with plastic anchor inside.

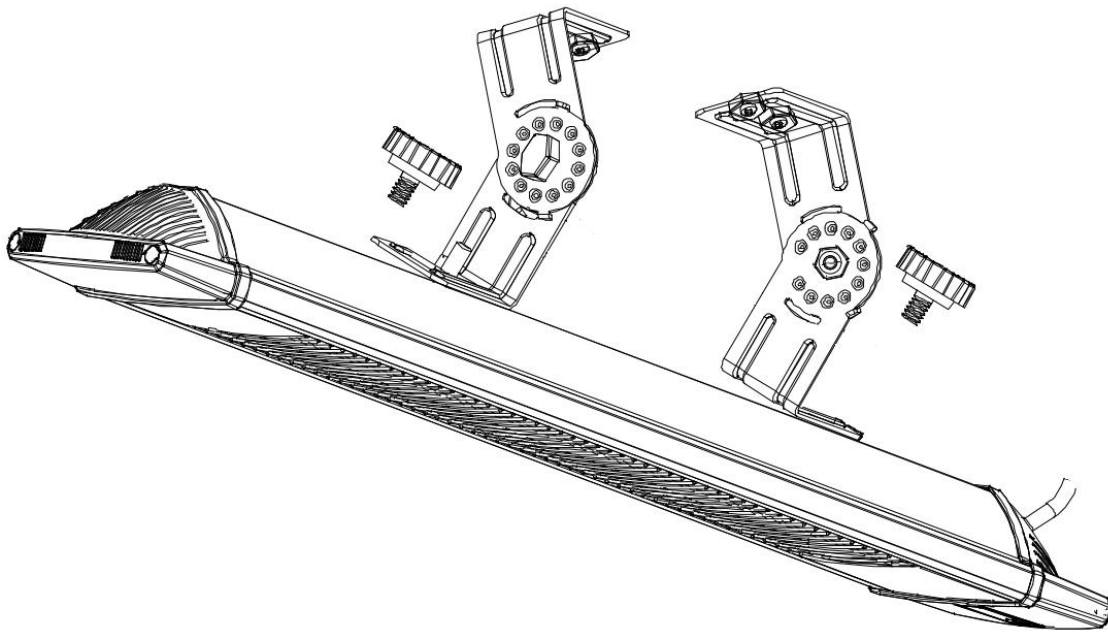
Wall



CEILING



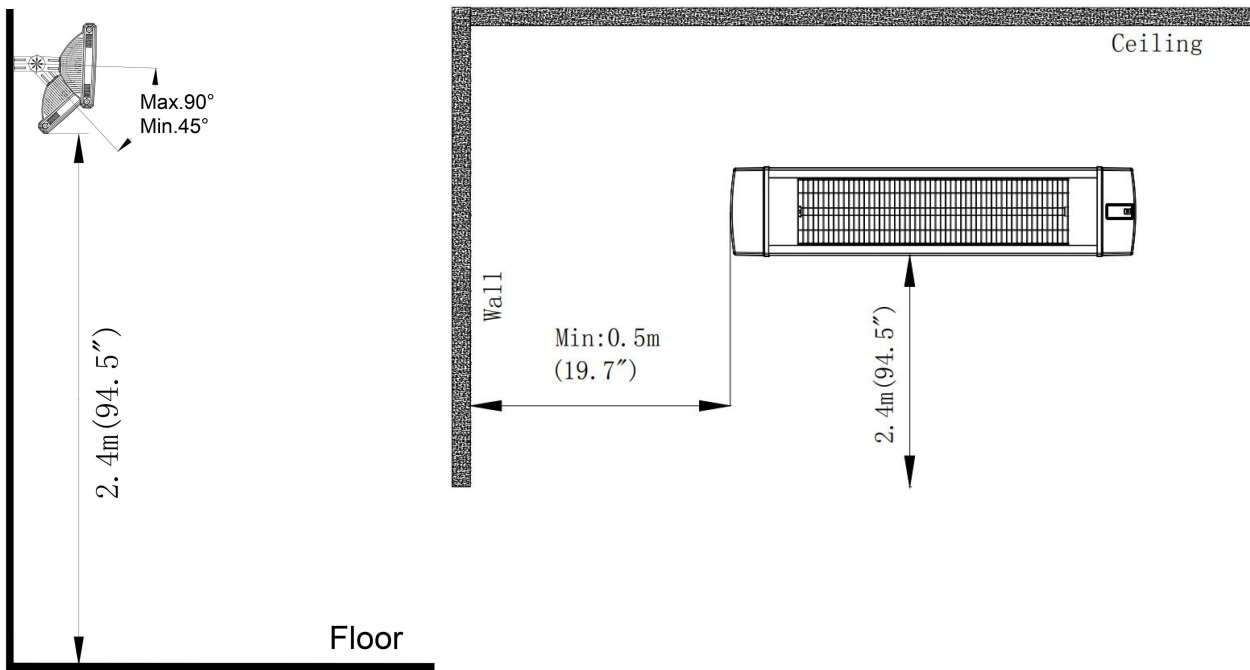
6. Fasten the heater on the L shaped bracket by the black screws on the back of heater

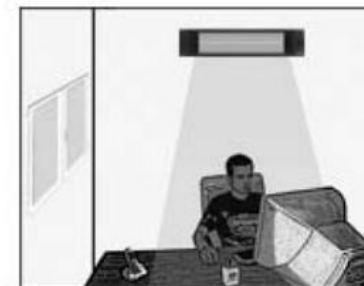
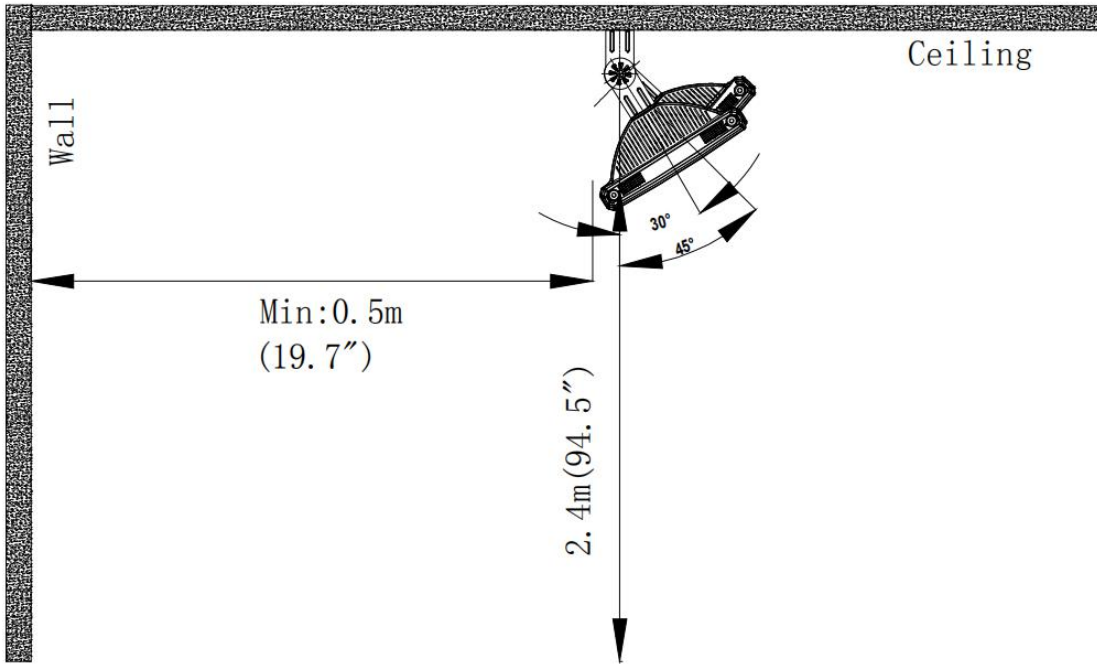


Ensure mains power is OFF before commencing installation.

The supplied mains cable must not contact the top surface of the heater during operation.

The mounting height and intensity should reflect the intended use of the heater.





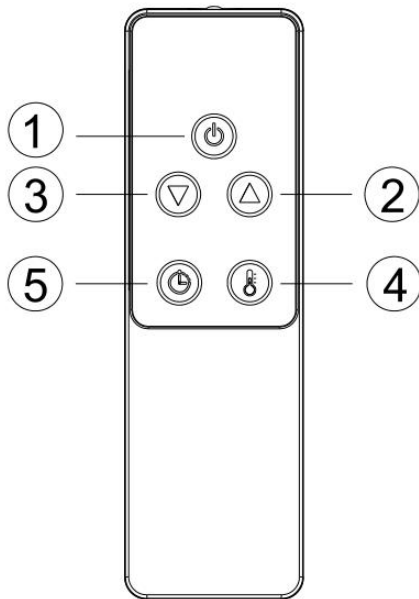
FUNCTION & OPERATION

OPERATING

Product Key Function:

1. Turn on the power, the product is standby mode display (- -);
2. Press key function: press the button, then press the heat levels (L1-L2-L3- standby - off)

Remote Control Instructions



1. **POWER BUTTON:** Turn the heater off.
2. **UP BUTTON:** Increase timer and level.
3. **DOWN BUTTON:** Decrease timer and level.
4. **LEVEL BUTTON:** Use to adjust the heat levels(L1-L3). Press the Level button then use the up and down buttons (buttons 2 and 3) to increase or decrease the heating level.
5. **TIMER BUTTON:** To set the timer from 0H-9H, which is the number of hours it will run. 0H will display and then adjust to the number of hours you would like to set, using the up and down buttons (2 and 3).

PUSH BUTTON: on the right of heater, it could be manual operated without remote control.

Inserting Batteries (no included)

Insert 2 AAA/ Alkaline type batteries into your remote control

1. Flip the backside of your remote control and pull out battery cover. Insert the batteries in accordance with the instructions and polarity the batteries.
2. Change the batteries in the same way depicted above.

NOTICE:

1. Replace the old batteries with the same type batteries. Otherwise, your heater may not function well.
2. Pull out the batteries in case of long terms of disuse to prevent leakage which may impair your remote control.
3. Do not allow water or liquid to get into the remote control.

Caution:

When the appliance is not operated for a long period of time, cleaning or maintenance is conducted or when the location of the heater is changed, the heater should be turned to OFF and unplugged from the electrical connection.

Periodic inspection and removal of dirt and contaminants will ensure that equipment can be operated safely.

Troubleshooting

1. Check if the power cord is plugged into an electrical outlet, if not, plug in.
2. Check if electricity to the main fuse is working
- 3. Check to see if the power button on the back of heater is power on.**

4. Error code shows on display

E1 Error on Display: Control unit overheat. Check installation clearances.
Let heater cool for 15 minutes and restart heater.

L1,2,3, shows in display, but no heat: Bulb is damaged. Arrange for replacement bulb with local Dealer.

MAINTENANCE

Attention! Careful and regular maintenance of your heater considering our instructions assume great importance so as to attain a long efficient operation of your appliance.

1. Check the filthiness of the Reflector and IR-Filament at least once a month. If necessary, apply cleaning and maintenance instructions.
2. The number of checks may be increased considering the amount of the dust in the environment.
3. Check the deformation of the Reflector, Wire and Frame visually while cleaning the appliance. In case of deformation, consult to your technical service.
4. Check the Power Cord and Plug visually while cleaning the appliance. In case of deformation, consult to your technical service.

CLEANING

Regular and careful cleaning helps your infrared heater operate efficiently for many trouble-free years. To clean your heater, follow steps below:

1. Unplug the power cord for your safety before cleaning your appliance.
2. Make sure the heater is cool before continuing.
3. To keep the heater clean, the outer shell maybe cleaned with a soft, damp cloth. You may use a mild detergent if necessary. After cleaning, dry the unit with a soft cloth. (CAUTION: DO NOT let liquids enter the heater).
4. DO NOT use alcohol, gasoline, abrasive powders, furniture polish or rough brushes to clean the heater. This may cause damage or deterioration to the surface of the heater.
5. DO NOT immerse the heater in water
6. Wait until the heater is completely dry before use.

Storage: Store the heater in a cool, dry location when not in use to prevent dust and dirt build up. Use packaging carton to store.

ATTENTION:

1. Always disconnect the heater from the electricity supply and allow it to cool before attempting to work on it.
2. If the heater has collected dust or dirt inside the unit or around the heating element, have to unit cleaned by a qualified service agent. Do not operate the heater in this condition.
3. The only maintenance required is cleaning of the external surfaces of the heater.
4. Do not touch the heating element with bare fingers, as residue from your hand could affect the life of the lamp. If it is accidentally touched, remove the finger marks with a soft cloth moistened with mentholated spirit or alcohol.
5. Do not attempt to repair or adjust any electrical or mechanical functions on this heater.
6. The heater contains no user serviceable parts. Should the product suffer damage or breakdown, it must be returned to the manufacturer or its service agent.
7. Damaged supply cords to be replaced by the manufacturer, service agent or similarly qualified person in order to avoid hazard.
8. A disconnecting switch incorporated in the fixed wiring is to be provided.

RECYCLING

At the end of the electrical products useful life it should not be disposed of with household waste. Please recycle where facilities exist. Check with your Local Authority or retailer for recycling advice in your

Warranty Information

Register your product at our website:



Or visit [DrHeaterUSA.com/register-your-heater](https://www.DrHeaterUSA.com/register-your-heater)

Feedback

Love it? Help us make the product more for you.



Let us know with a customer review.

Please visit: <https://www.amazon.com/review/review-your-purchases#>

At Dr. Heater USA, we are committed to bringing top quality alternative & supplemental heating products to our customers.

Note: There may be a trace of smoke or odor when the unit is first operated. Do not be alarmed. This indicates a drop of oil fell on the interior coils during the manufacturing process. It will quickly evaporate and should not recur.

How long is the warranty?

This heater comes with a ONE-YEAR LIMITED COMPONENT WARRANTY. If your unit does not appear to be working properly, please contact our service center by calling 1-800-317-1688. Prior to your call, we encourage you to visit our service related website www.DrHeaterUSA.com for troubleshooting tips and service instructions if needed.

Dr. Infrared Heater
9293 Beatty Dr, Sacramento
CA 95826
Tel: 1-800-317-1688
EMAIL: SERVICE@DRHEATERUSA.COM

