



Bedbug Heater



Model No.: DR-122

Owner's Manual

PLEASE READ AND
SAVE THESE INSTRUCTIONS

Important Safety

Information

To reduce the risk of fire, electric shock, or personal injury, read all the instructions before using this heater. This appliance is intended for household or personal use only as described in this manual. Any other use including but not limited to commercial, agricultural, or outdoor use, is not recommended by the manufacturer. The use of components and accessories other than the ones provided in this package may produce dangerous results and will void the warranty.

Warnings describe serious consequences resulting from misuse of this product.

Warning!

- Read all instructions before using this heater.
- Use this heater only as described in this manual. Any other use not recommended by the manufacturer may cause fire, electric shock, or injury to person(s) or damage to property.
- Only assemble Bedbug Toaster™ according to instructions in this manual.
- Do not insert or allow foreign objects to enter any ventilation or exhaust opening as this may cause an electric shock, fire, or damage to the heater.
- To prevent a possible fire, do not block air intakes or exhaust openings in any manner. Do not use on soft surfaces, like a bed, where openings may become blocked. Use the heater on flat, dry surfaces only.
- This heater is designed for indoor use only.
- This heater is not intended for use in bathrooms, laundry areas, or similar indoor locations. Never locate the heater where it may fall into a bathtub or other vessel where water may be contained or stored.
- Do not block exhaust vent on folding box. This can cause damage to the heater.

-
- Do NOT use heater in areas where gasoline, paint, or flammable liquids are use or stored. Do not place flammable objects or aerosols inside the Bedbug Toaster™.
 - Some items may be damaged during heat treatment. Use EXTREME CAUTION when heat treating fragile items such as books, items made of wood, and other heat-sensitive items.
 - Consult the manufacturer of items in question (such as electronics) for a maximum safe temperature before placing them in the Bedbug Toaster™. Always monitor the temperature to ensure that the temperature in the Bedbug Toaster™ never exceeds a safe level.
 - This heater is hot when in use. To avoid burns, do not let bare skin touch hot outlet. Wait for items to cool after heat treatment.
 - Extreme caution is necessary when heater is used by or near children or handicapped person(s).
 - Do NOT leave heater unattended when in use.

Hints & Tips

BED BUGS

- Bed bugs are small, oval insects that live in dark spaces close to their food source and feed at night. They range in size from 1/4" to 3/8" long and are mahogany or red-brown in color.
- Bed bugs hide in all sorts of cracks and crevices including: mattresses, bed sheets, baseboards, electrical outlets, picture frames, and furniture. These pests feed on blood and their bites can leave itchy, bloody welts on the skin, potentially causing allergic reactions.
- Studies have found that bed bugs at **all life stages** die quickly at temperatures at or above **120°F**.
- The Dr. Infrared Heater Bedbug Heater kills bed bugs without harming the environment.
- Bed bug eggs are difficult to detect. It's important to **heat treat all items** that may have been infected with bed bugs even if no bed bugs are found.
- Bed bugs can survive for up to **18 months without feeding**. It is critical that all potentially infested items are heat treated or sealed and stored for 18 months.
- Raising the interior temperature above **120°F**, a thermal death point, normally eliminates a bed bug infestation.

THE Bedbug Heater

- Heat is an effective way to kill bed bugs, but the temperature must be at least 120°F in order for the heat treatment to be effective.
- Always turn the heater on **before placing potentially infested items inside the Bedbug Toaster™**.
- **Always** use indoors with a room **temperature above 70°F**. If the room temperature is below **70°F**, the Bedbug Heater may not reach optimal bed bug killing temperatures.
- Always **monitor the temperature** inside the Bedbug Toaster™ with a thermometer (thermometer included).
- Do not operate the Bedbug Heater on cold floors such as concrete or near areas with high humidity such as bathrooms or laundry areas. Always place the Bedbug Heater on surfaces at room temperature (above 70°F).
- Connect to properly grounded outlets only.
- To disconnect the heater, turn controls to OFF, then remove plug from outlet. **NEVER REMOVE PLUG FROM OUTLET WHEN HEATER IS IN USE.**
- Always unplug heater when not in use.
- Always plug heater directly into a wall outlet/receptacle. Never use with an extension cord or relocatable power strip.

Components Included

The following components are required for proper use of this product. Please contact Dr. Infrared Heater if you did not receive all of the components listed below. Some components may appear different from the illustrations below:

Thermometer & Timer

(Qty: 1)



Bedbug Toaster™

(Qty: 1)



Bedbug Heater

(Qty: 1)



Tubes and Connectors:

Tube A (Qty: 4)



Connector (Qty: 8)



Tube B (Qty: 4)



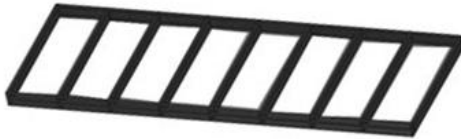
Hook (Qty:10)



Tube C (Qty: 4)

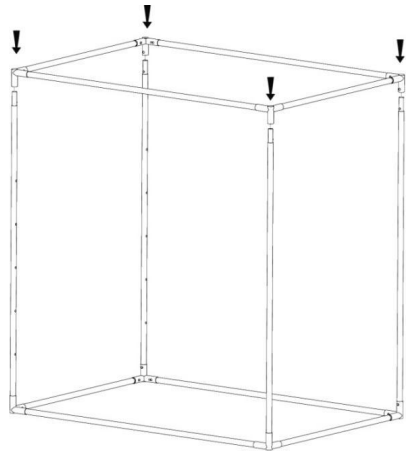
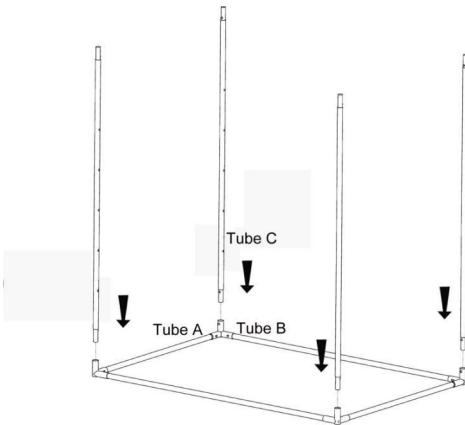


Support Rack (Qty: 2)

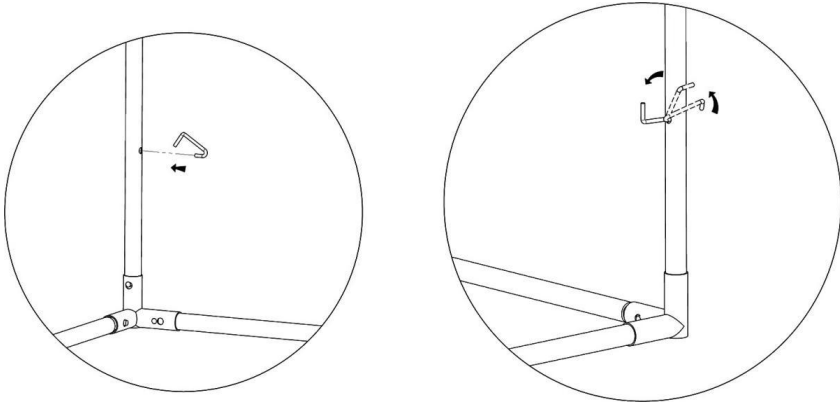


Operating instructions:

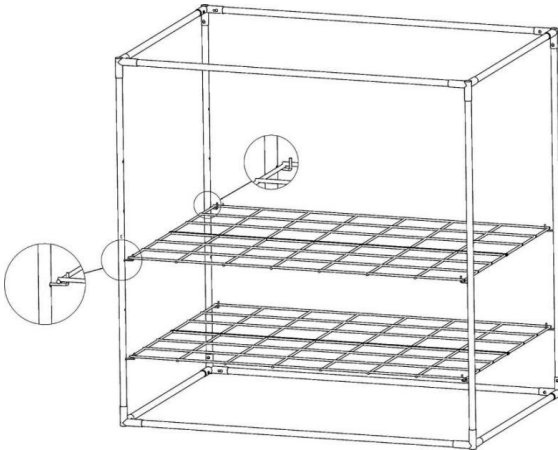
1. Assembling the rack:



2. Insert four hooks in to the bottom holes of Tube C.



3. Hang the first support rack by using four hooks. Install the second support rack in the same manner. You may adjust the height according to your needs.



4. Open the Bedbug Toaster™ and assemble it carefully over the outer structure. Put the items intended for heat treatment on the support racks.

WARNING: Failure to follow the below instructions will damage the heater and cause it to overheat.

Use of the support racks is optional. However, if you choose not to use the support racks during the heat treatment, YOU MUST still ensure that items in the Bedbug Toaster are at least 12 inches from the heat outlet.

Never put items under the bottom rack. Items placed under the bottom rack will obstruct the air flow of the heater and cause severe damage to the heater. Recommended clearance is 9 x 12 (in.) from the heat outlet.

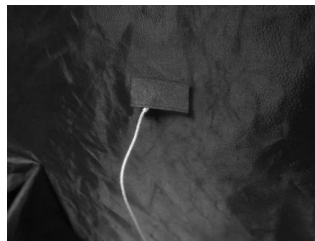
5. The Bedbug Heater thermometer uses one 1.5V AAA battery. Locate the battery compartment on the back of the remote and put in a new battery.

6. Put the thermometer sensor into the Bedbug Toaster™ through the opening as indicated below. Connect the sensor wire to the thermometer. Hang the thermometer on the top side of the Bedbug Toaster™ - as shown in Step Four.

Step One:



Step Two:



Step Three:



Step Four:



7. Press °C / °F button on the back of the thermometer to switch between Celsius and Fahrenheit.

8. Adjust the alarm temperature to 120°F by pressing the UP and DOWN button.



9. Turn the power knob of the heater to ON position. Put the heater into the ventilation tube of the Bedbug Toaster™ and close the zipper. Make sure the heater stands firmly on the floor and hot air can flow into the Bedbug Toaster™ unobstructed.

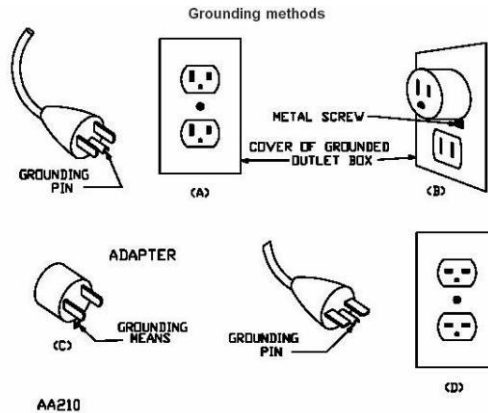


Note: Always turn the heater on when placing potentially infested items inside the Bedbug Toaster™. Do not put items directly in front of the heater as it may block the airflow. To avoid overheating, do not put the heater all the way inside the Bedbug Toaster™. See above Exhibit.

10. Plug the power cord into a grounded wall outlet. (120VAC, 60Hz)

Important: This heater is for use on 120 volts and comes with a grounded (3 prong) plug. The grounded plug must be used with a grounded outlet. Do not use an adapter in a 2-slot wall outlet unless the ground plug of the adapter properly connects to a building ground. Using heater without properly grounded outlet or adapter could result in an electric shock hazard.

The cord has a plug as shown in (A) in the image below. An adapter as shown in (C) is available for connecting three-prong grounding-type plugs to two-slot receptacles. The green grounding lug extending from the adapter must be connected to a permanent ground such as a properly grounded outlet box. The adapter should not be used if a three-slot grounded receptacle is available.



11. Setting the timer.

The thermometer alarm will beep when the temperature of the thermometer sensor reaches 120°F. Press the **ALERT** button to stop the beeping. Press the **HR** and **MIN** button to set the timer (1-2 hours). Press the **START/STOP** button to start the countdown timer.

Studies have found that bed bugs at all life stages die quickly at temperatures at or above 120°F. The higher the temperature, the less time it takes to kill them. Common practice for heat treating is to measure the temperature at one representative location. When the temperature at this location reaches 120°F and is held at 120°F (or above) for one hour, **you can be assured** that any bed bugs in your belongings are exterminated.

12. Remove items after heat treatment.

WARNING: Items will be hot after heat treatment. Wait for items to cool sufficiently before removing from the heater. Parts of the heater, such as the Bedbug Toaster's™ metal zippers can remain hot long after heat treatment and cause burns. Use **extreme caution**.

Heater Specifications

Model : DR-122

Voltage : 120V, 60Hz

Current : Maximum continuous draw : 12.5 amps;
Minimum draw: 0.2 amps (fan only)

Output : 5200 BTUs

Power : 1500 Watts

Turbo Fan : Multi-blade; Low noise 2600 RPM

How long is the warranty?

This heater comes with a ONE-YEAR LIMITED COMPONENT WARRANTY. If your unit does not appear to be working properly, please contact our service center by calling 1-800-317-1688. Prior to your call, we encourage you to visit our service related website www.DrHeaterUSA.com for troubleshooting tips and service instructions if needed.

Warranty Information

Register your product at our website:



Or visit DrHeaterUSA.com/register-your-heater

Feedback

Love it? Help us make the product more for you.



Let us know with a customer review.

Please visit: <https://www.amazon.com/review/review-your-purchases#>

At [Dr. Heater USA](#), we are committed to bringing top quality alternative & supplemental heating products to our customers.

Dr. Heater USA

860 Mahler Road

Burlingame, CA 94010

Tel: 1-800-317-1688

EMAIL: SERVICE@DRHEATERUSA.COM



Dr Heater USA



@DrHeaterUSA



Dr. Heater USA



Dr. Heater USA