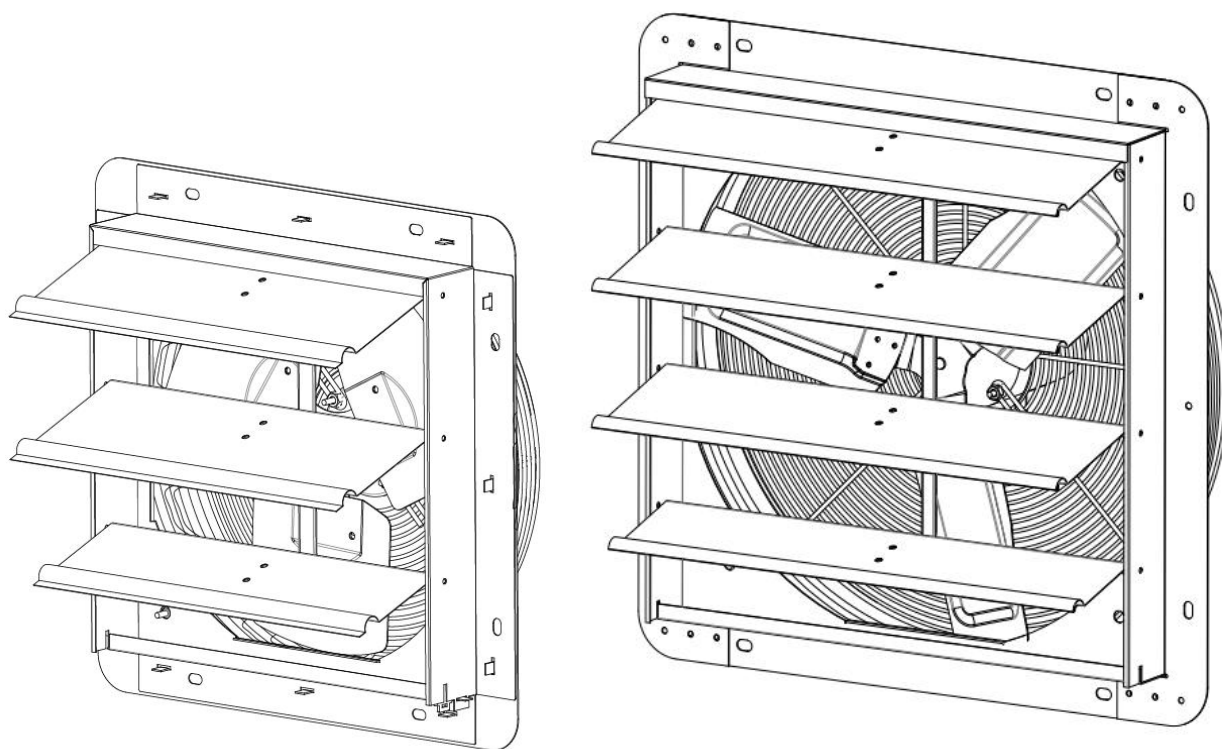




BLDC SHUTTER FAN

OWNER'S MANUAL

Models: ILG8SF12V-DC, ILG8SF14V-DC, ILG8SF16V-DC



**PLEASE READ AND SAVE THESE
INSTRUCTIONS**

PLEASE READ AND SAVE THESE INSTRUCTIONS. READ CAREFULLY BEFORE ATTEMPTING TO ASSEMBLE, INSTALL, OPERATE, OR MAINTAIN THE PRODUCT DESCRIBED. PROTECT YOURSELF AND OTHERS BY OBSERVING ALL SAFETY INFORMATION. FAILURE TO COMPLY WITH INSTRUCTIONS COULD RESULT IN PERSONAL INJURY AND/OR PROPERTY DAMAGE! RETAIN INSTRUCTIONS FOR FUTURE REFERENCE.

BEFORE YOU BEGIN

WARNING!

Installation, trouble shooting, and replacement of parts are to be performed only by authorized service technicians.

Electrical Requirements:

- The motor amperage and voltage ratings must be checked for compatibility to supply voltage prior to final electrical connection. Please refer to the motor's nameplate label.

Tools / Materials Needed (Not Included) :

- Mounting Fasteners (8)
- Sealant or Caulk
- Regular Screwdriver Set

UNPACKING

Contents:

- Shutter Mounted Exhaust Fan & Control Box
- Owner's Manual

Inspect:

- After unpacking fan, carefully inspect for any damage that may have occurred during transit. Check for loose, missing, or damaged parts.
- Check all bolts, screws, set-screws, etc. for looseness that may have occurred during transit. Tighten as needed. Rotate propeller by hand to ensure it turns freely.
- See Important Safety Instructions on page 2, and Cautions and Warnings as shown.

IMPORTANT SAFETY INSTRUCTIONS

1. Do not depend on any switch as the sole means of disconnecting power when installing or servicing the fan.
2. Always disconnect, lock-out, and tag-out power source before installing or servicing. Failure to disconnect power source can result in fire, shock, or serious injury.
3. Do not place body parts or objects in fan or motor openings while motor is connected to the power source.
4. **CAUTION** - For General Ventilating Use Only. Do Not Use To Exhaust Hazardous Or Explosive Materials And Vapors.
5. Follow all local and state/provincial electrical and safety codes in the United States and Canada, as well as the National Electrical Code (NEC) and the Occupational Safety and Health Act (OSHA) in the United States, and the Canadian Electric Code (CEC) in Canada.
6. Always disconnect power source before working on or near a motor or its connected load.
7. Protect the power cable from coming in contact with sharp objects.
8. Do not kink or create tight bends in the power cable and never allow the cable to come in contact with oil, grease, hot surfaces, or chemicals.
9. Make certain that the power source conforms to the requirements of your specific exhaust fan model. The fan frame and motor must be electrically grounded to a suitable electrical ground, such as a grounded water pipe or ground wire system.
10. Do not operate any fan with a damaged cord or plug. Discard fan or return to an authorized service facility for examination and/or repair.
11. Do not cover cord with throw rugs, runners, or similar coverings. Do not route cord under furniture or appliances. Arrange cord away from traffic area and similar danger locations.
12. The discharge air is to be directed to the building exterior.
13. Not for use in kitchens.
14. Do not install in a cooking area.

INSTALL IN INTERIOR WALL.

CAUTION - MOUNT WITH THE LOWEST MOVING PARTS AT LEAST 2.5 m (8.2 ft) ABOVE FLOOR OR GRADELEVEL.

CAUTION - HOT SURFACE. AVOID CONTACT.

WARNING - For indoor use only.

WARNING - To reduce the risk of electric shock, do not expose to water or rain.


WARNING-To Reduce The Risk Of Fire Or Electric Shock, Do Not Use This Fan With Any Solid-State Speed Control Device.

Suitable for commercial or industrial use.

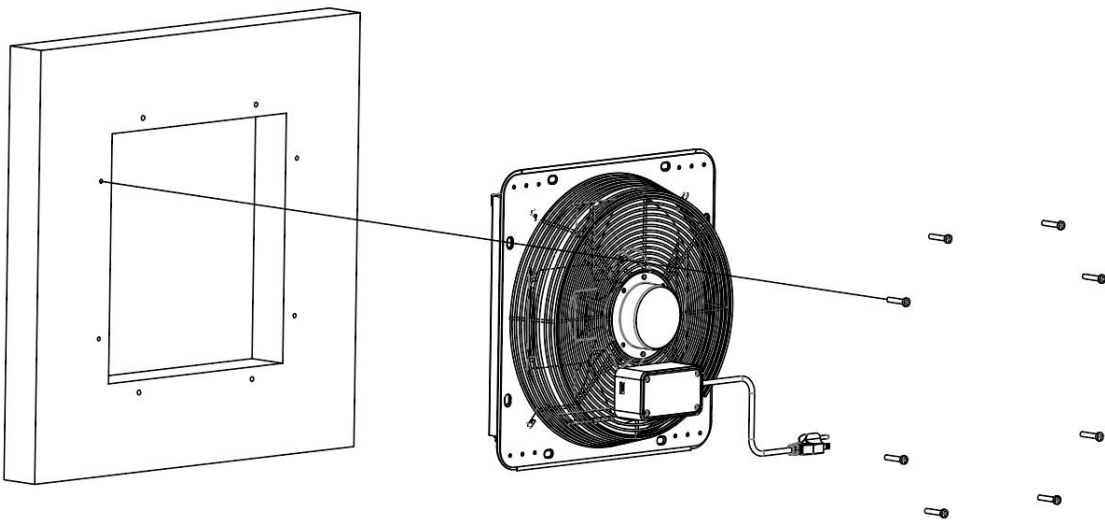
INSTALLATION INSTRUCTIONS

1. The unit should be only securely mounted in a rigid framework.

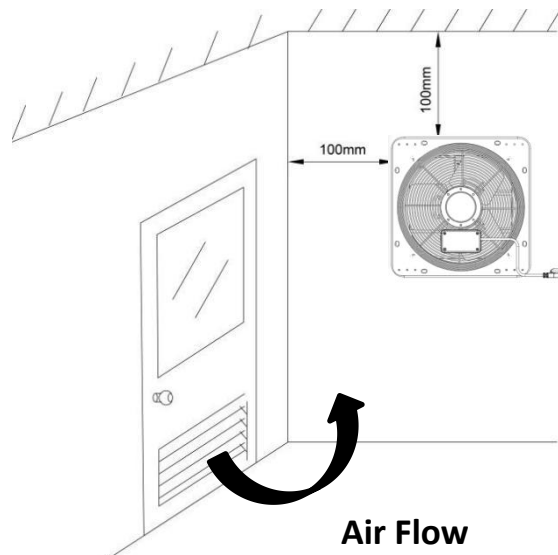
NOTE: Allowing the fan frame to flex or move will result in excess vibrations, which may cause possible premature motor, propeller, or shutter failure.

 **Fan frame and motor must be securely and adequately grounded to a suitable electrical ground, such as a ground water pipe or ground wiring system.**

2. Install the shutter fan through 8 holes with screws. (Screws are not included.)

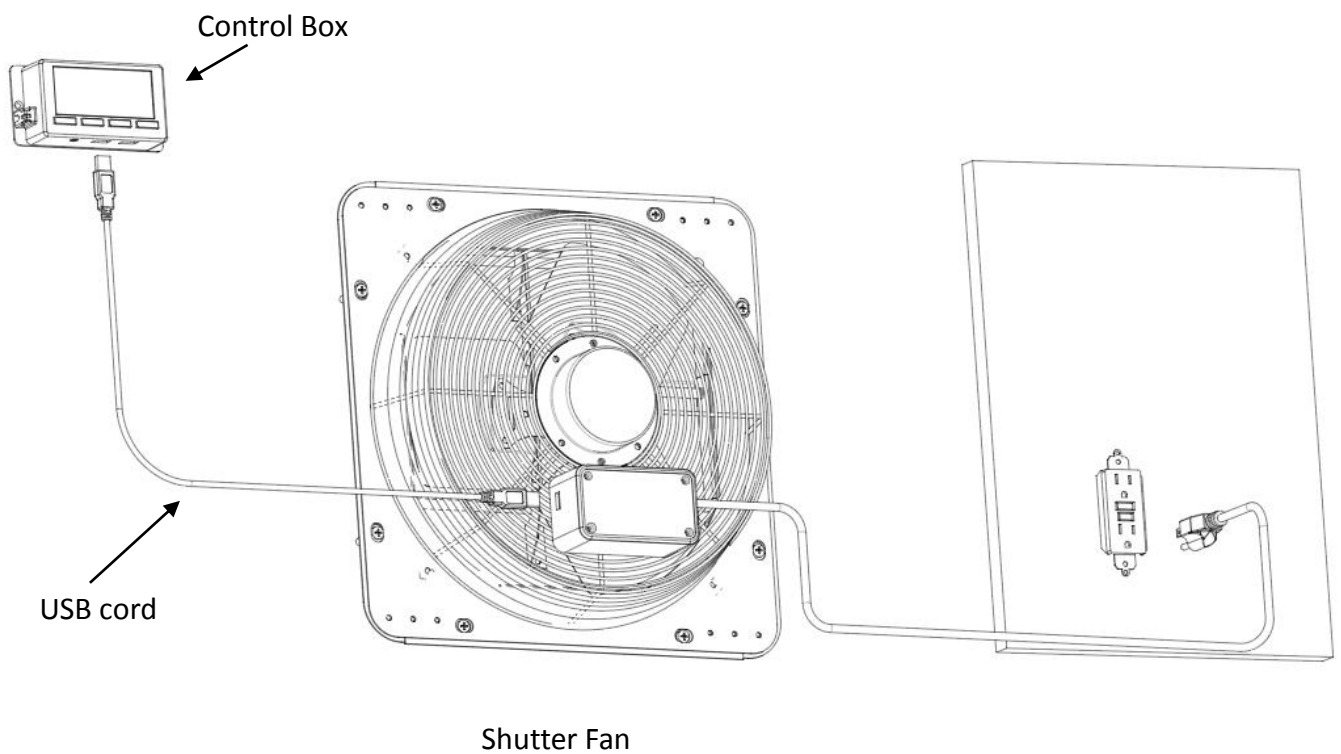


3. Please ensure the space has a gap for enough air to get into the space. The fan installed on free space of at least 100mm above the upper edges of the corner.



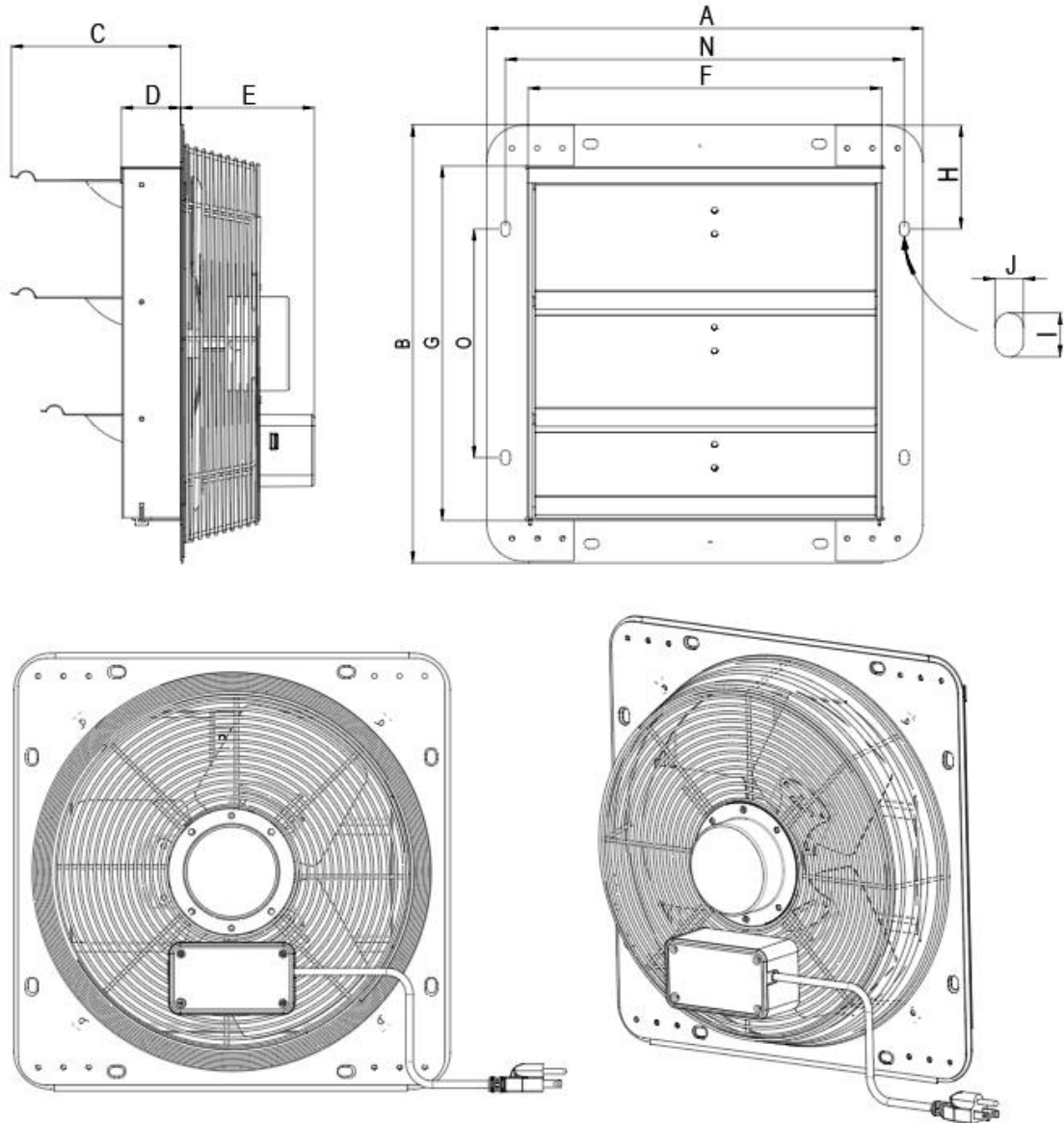
4. Install the control box to the wall with 2 screws. **(Screws are not included.)**

5. Plug the power cord into a grounded wall outlet (**120V, 60Hz**). Plug the USB cord to connect with the control box.



Power source	120V, 60Hz
Mounting Position	Vertical
Frame Material	Galvanized Steel
Shutter Blade Material	Aluminum Alloy
Propeller Material	Aluminum Alloy and Galvanized Steel
Agency Compliance	CSA C22.2 No. 113 & UL 507

Dimensions (Inches)



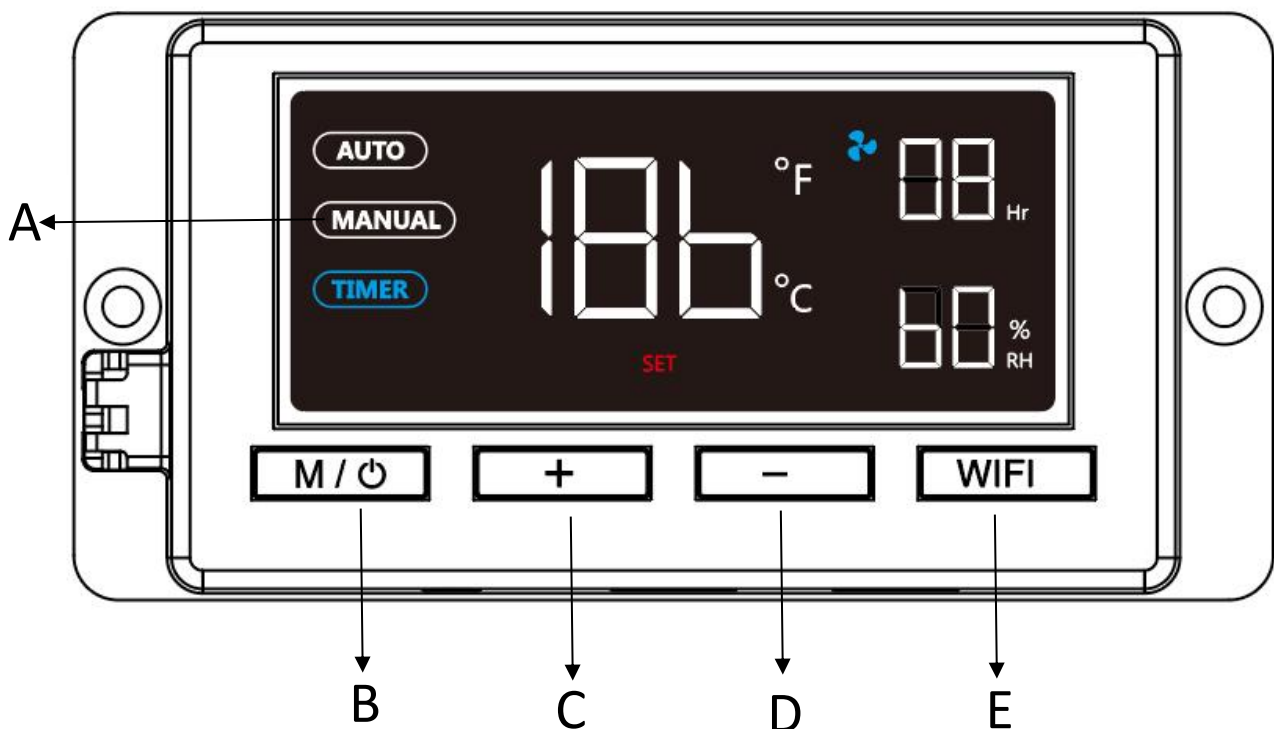
MODEL	Prop. Dia.	A	B	C	D	E	N	G	F	O	H	J	I	Suggested wall opening (Sq)
ILG8SF12V-DC	12"	15"	15"	5 3/4"	2"	6 5/32"	13 5/8"	12 1/8"	12 1/8"	8"	3 1/2"	9/32"	1/2"	13"
ILG8SF14V-DC	14"	17"	17"	5 3/4"	2"	6 5/16"	15 14/16"	14 1/4"	14 1/4"	10 3/16"	3 17/32"	9/32"	1/2"	15"
ILG8SF16V-DC	16"	18 29/32"	18 29/32"	5 3/4"	2"	7 7/8"	17 3/4"	16"	16"	11 29/32"	3 17/32"	9/32"	1/2"	17"

Performance

Model	ILG8SF12V-DC	ILG8SF14V-DC	ILG8SF16V-DC
Voltage	120	120	120
Frequency	60	60	60
Wattage	45	60	70
AMPS	0.65	0.85	0.9
PRM	1600	1600	1600
CFM	960	1200	1736

OPERATING INSTRUCTIONS

1. Keep the area free of objects that could impede air flow on both the intake and exhaust side of fan.
2. For proper exhaust operation, a window, door, or louver should be opened for fresh air intake on the opposite side of the area to be ventilated.
3. Connect power plug to any standard 120-volt AC outlet.
4. Control Box



- A. LED display
- B. Power ON/OFF & Mode button
- C. Increase button
- D. Decrease button
- E. RH button

About the Power ON/OFF & Mode button

To turn on the shutter fan, press the **M / ⏻** button; the LED display will turn on and the shutter fan will wait in AUTO Mode.

Press the **M / ⏻** button to toggle between the different modes: AUTO / Manual / TIMER / Power OFF.

Press the **M / ⏻** button for 3 seconds can also Power off the fan.

● ATUO Mode

AUTO mode is a computerized mode to optimize energy efficiency. It will programmatically select fan speed between 12 and 8 to cool down the room to the desired temperature and humidity in the most effective way.

When the room temperature drops to \leq the set temperature -2~3 degree F, the fan stops running. When the room temperature rises to \geq the set temperature +2~3 degree F, the fan will turn on. As the same with humidity.

When the room humidity drops to \leq the set humidity -2~3 %, the fan stops running. When the room humidity rises to \geq the set humidity +2~3 %, the fan will turn on.

AUTO mode is the environmental friendly operating mode.

Setting the room temperature

At AUTO mode, it will display the factory default setting temperature 80°F, and humidity 70%. You can press the **+** or **-** button to set your desired temperature between 50°F-99°F.

Setting the Humidity

To set the humidity, press the **RH** button. The factory default setting is 70%, you can press the **+** or **-** button to set your desired humidity between 30%-90%.

● MANUAL Mode

The manual mode is autonomous mode, and the fan will stop detecting the temperature and keep on blowing.

In manual mode, press the **+** or **-** button can increase or decrease the fan speed. The fan speed range 0 to 12.

● TIMER Mode

Press the **TIMER** button to set the Timer. The default value is 3 hours. The timer can be set from 0 to 24 hours. The fan will shut OFF automatically when the set time is reached.

To turn the timer OFF, pressing the “-” button to set the time to 0. The timer feature will turn off when the LED stops flashing.

In timer mode, press the **+** or **-** button can increase or decrease the setting time.

Display the set temperature

The display shows the room temperature all the time, press and hold the **M / ⏻** button and then press the **-** button. The set temperature will display for 30 seconds. It will return to room temperature after 30 seconds.

Display Celsius


To display Celsius, press and hold the **M / ⏻** button and then press the **+** button for 2 seconds. Press and hold the MODE button for 2 seconds again to change back to Fahrenheit.

Memory function

This shutter fan has a memory function, when you turn off by pressing the **M / ⏻** button, in case of power outages. If the fan operates at maximum speed when it shuts off in a power outage, it will resume its operation at the maximum speed when the power comes back on. The memory function registers the last operating speed.

MAINTAINANCE

1. Unplug the appliance before servicing.
2. Periodically clean off accumulated dirt from the propeller, guard, motor, and shutter.

 ***Do not depend on any switch as the sole means of disconnecting power when installing or servicing. If power disconnect is not visible, utilize OSHA Lock out/Tag out procedure.***

 ***Failure to do so may result in fatal electrical shock. Employ proper lock-out/tag-out procedures when performing maintenance.***

TROUBLESHOOTING

Symptom	Possible Cause(s)	Solution
Excessive noise	Loose propeller	Tighten set screws on propeller hub.
	Bent or damaged propeller	Replace propeller
	Loose guard assembly or motor fasteners.	Tighten as required to 15-20 lbs. per inch.
Fan inoperative	Blown fuse or open circuit breaker	Replace fuse or reset circuit breaker
	Defective motor	Replace motor
	Switch in OFF position	Turn switch ON
Insufficient air flow	Blocked intake or exhaust opening	Clear intake and exhaust openings of any obstructions. Clean motor, guard, propeller, and shutter assembly. Increase the opening of the fresh air intake.
	Low voltage	Check electrical wiring.
	Speed control set too low	Increase speed with controller

Warranty Information

This product comes with a 1-YEAR LIMITED COMPONENT WARRANTY. If your unit does not appear to be working properly, please contact our service center by calling 1-800-317-1688. Prior to your call, we encourage you to visit our service related website www.ilivingusa.com for troubleshooting tips and service instructions if needed.

Register your product at our website:



Or visit iLivingUSA.com/register-product

Feedback

Love it? Help us make the product more for you.



Let us know with a customer review.

Please visit: <https://www.amazon.com/review/review-your-purchases#>

At iLiving USA, we are committed to bringing top quality products to our customers.

iLIVING USA
860 Mahler Road,
Burlingame, CA 94010
Tel: 1-800-317-1688
Email: service@ilivingusa.com



Like us on Facebook: <https://www.facebook.com/ilivingusa/>



Follow us on Twitter: @iLIVINGUSA

Check out our website: www.ilivingusa.com