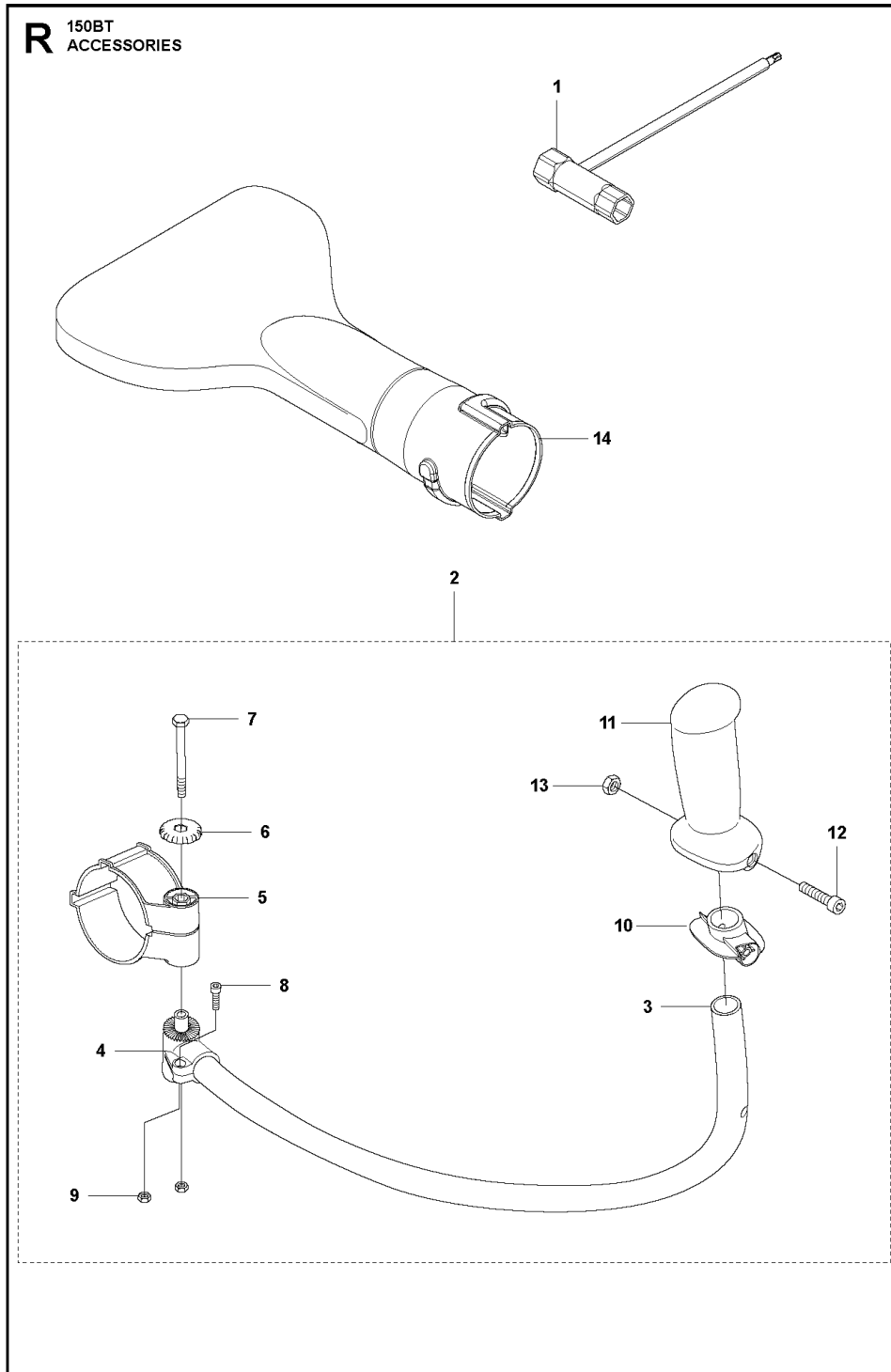


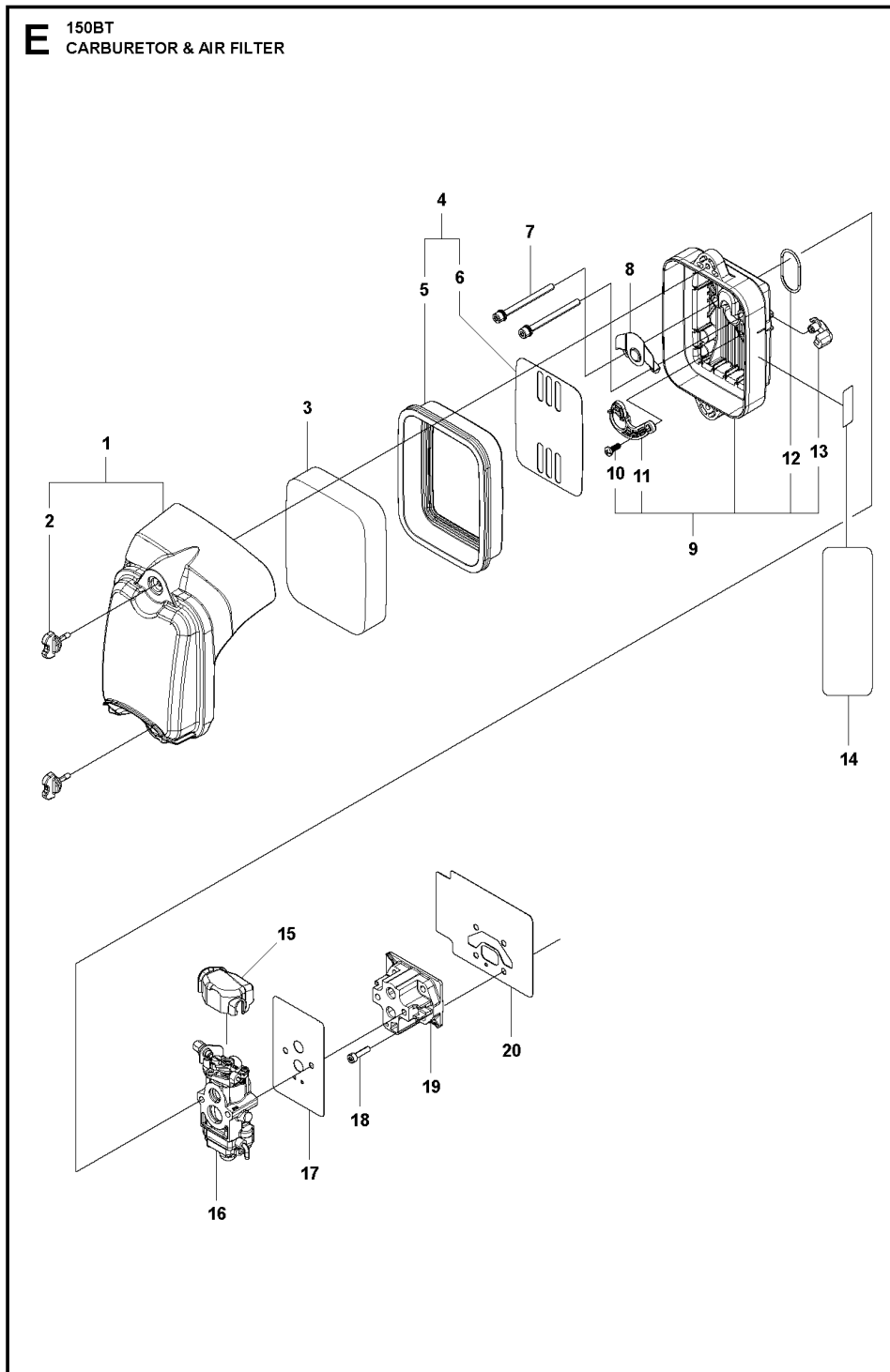
Product Catalog: /150BT 2007-2021

ACCESSORIES



Ref.	Article N.	Description	Qty	Kit
1	521533001	SOCKET	1	-
2	544400002	HANDLEBAR ASSY	1	-
3	537241301	HANDLEBAR	1	-
4	537292901	BRACKET	1	-
5	511675001	TOOL HOLDER	1	-
6	502204001	KNOB	1	-
7	725234751	SCREW EHHM	1	-
8	725532555	SCREW IHSCM	1	-
9	731231401	HEXAGON NUT	2	-
10	537172901	COVER	1	-
11	537172801	HANDLE	1	-
12	503200245	SCREW IHSCFM	1	-
13	731231401	HEXAGON NUT	1	-
14	502444001	TUBE	1	-

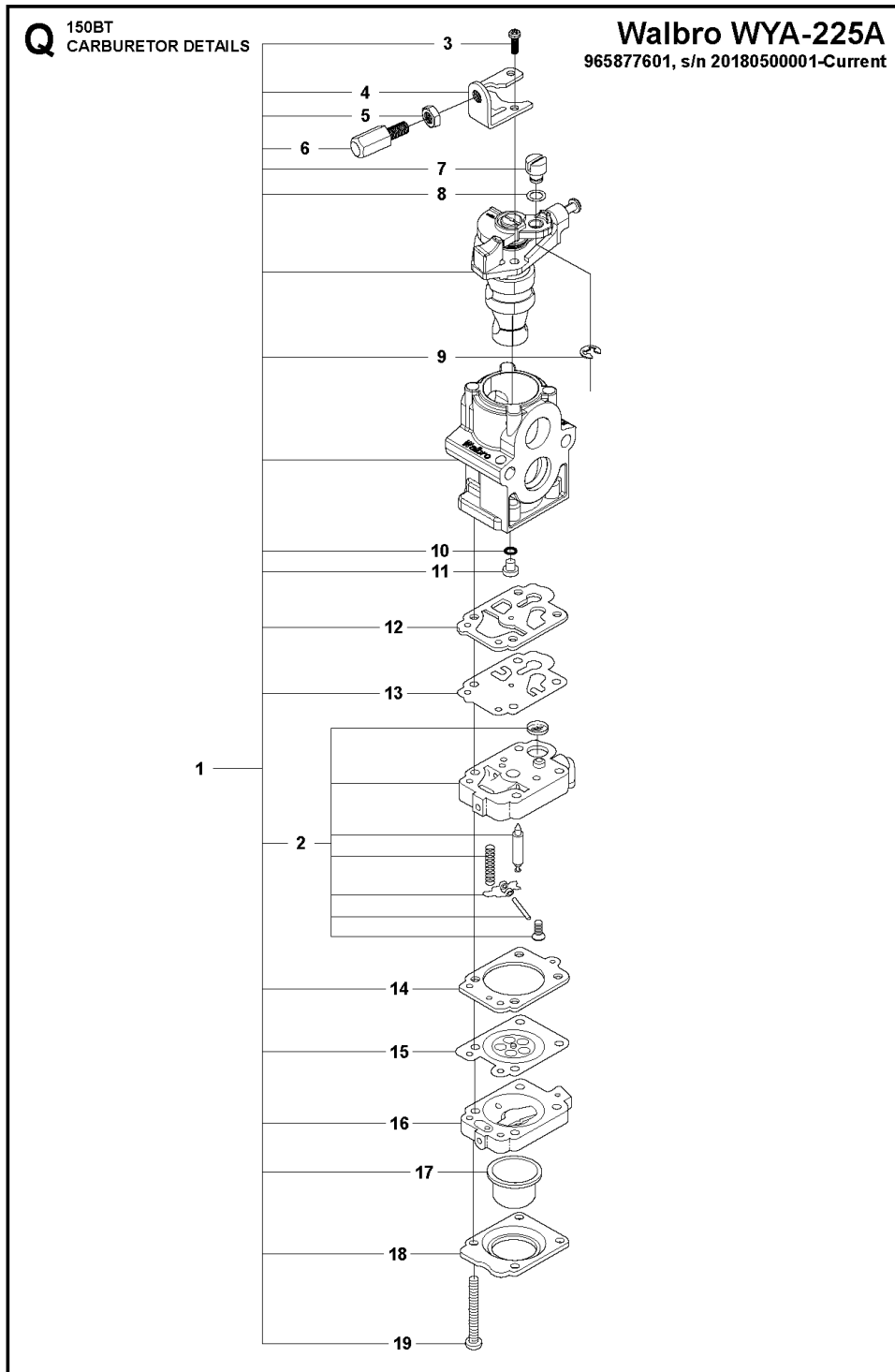
CARBURETOR & AIR FILTER



Ref.	Article N.	Description	Qty	Kit
1	502844201	COVER	1	-
2	502844301	KNOB	2	-

Ref.	Article N.	Description	Qty	Kit
3	502844402	AIR FILTER <i>965877601, s/n 20180500001-Current</i>	1	-
3	502844401	AIR FILTER <i>Lowes s/n 20094000001-Current, s/n 20071800001-20084000000, s/n 20084000001-20194199999</i>	1	-
4	502844501	GASKET	1	-
7	502844601	SCREW	2	-
8	502844701	PLATE	1	-
9	502844902	AIR FILTER HOLDER	1	-
10	581736201	SCREW <i>965877601, s/n 20180500001-Current</i>	1	-
11	512259601	PLATE.CHOKE <i>965877601, s/n 20180500001-Current</i>	1	-
12	512260001	O-RING <i>965877601, s/n 20180500001-Current</i>	1	-
13	521740501	LEVER <i>965877601, s/n 20180500001-Current</i>	1	-
14	521740201	LABEL	1	-
15	506744201	COVER	1	-
16	502845001	CARBURETTOR <i>Lowes s/n 20094000001-Current, s/n 20071800001-20084000000, 20084000001-20194199999</i>	1	-
16	581155001	CARBURETTOR <i>965877601, s/n 20180500001-Current</i>	1	-
17	502845301	GASKET	1	-
18	521516501	BOLT <i>Lowes s/n 20094000001-Current, s/n 20071800001-20084000000, 20084000001-20194199999</i>	4	-
18	586496001	BOLT <i>s/n 20180500001-Current</i>	4	-
19	502845401	INSULATION	1	-
20	502845501	GASKET	1	-

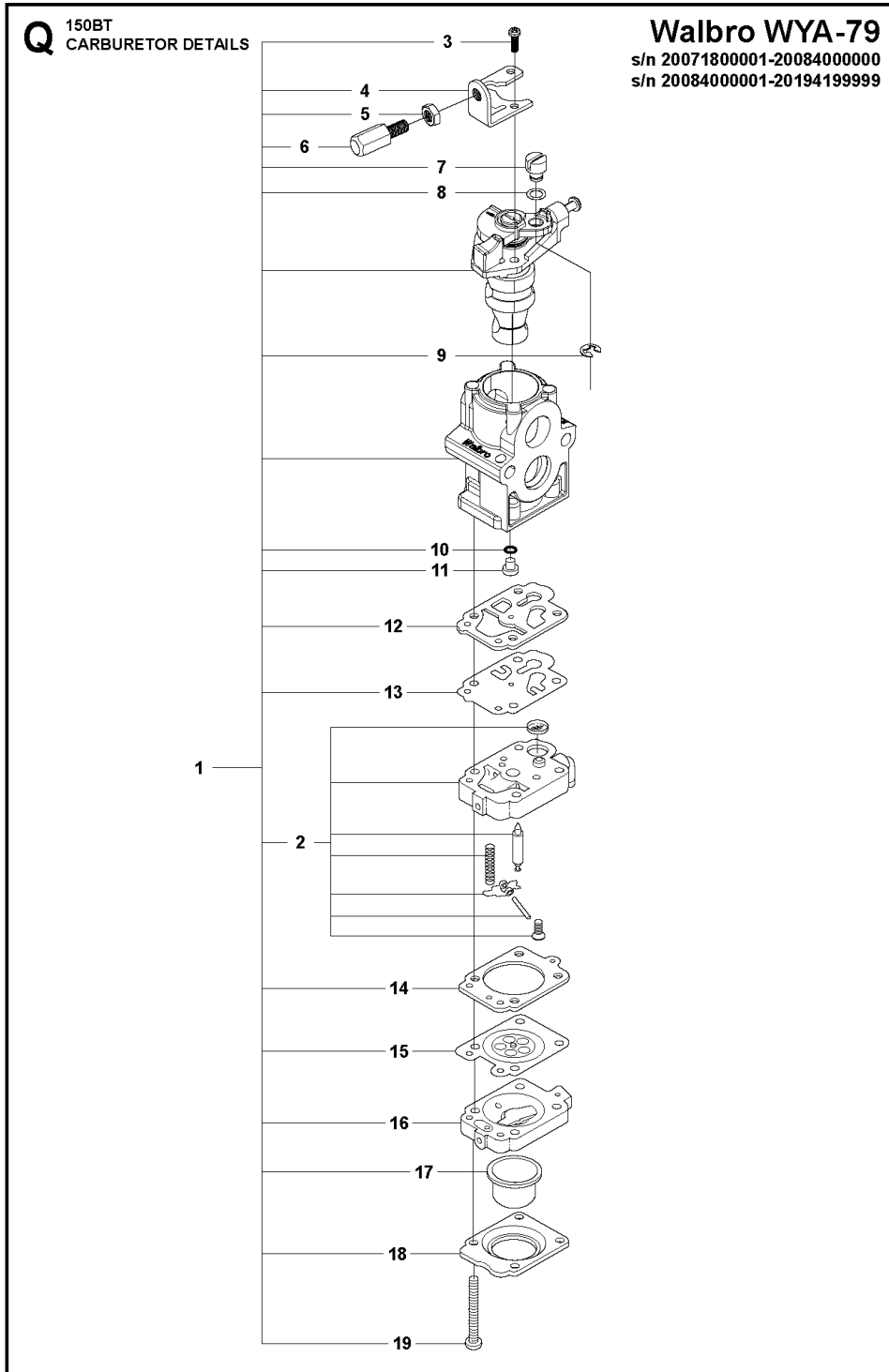
CARBURETOR DETAILS



Ref.	Article N.	Description	Qty	Kit
1	581155001	CARBURETTOR	1	-
2	544363501	BODY CARBURETTOR	1	-

Ref.	Article N.	Description	Qty	Kit
3	505307901	SCREW	2	-
4	506746001	BRACKET	1	-
5	506612601	NUT	1	-
6	506741301	SCREW	1	-
7	506741201	SWIVEL	1	-
8	506746101	WASHER	1	-
9	506738601	RETAINER RING	1	-
10	505307501	O-RING	1	-
11	505307401	JET	1	-
12	506745101	GASKET	1	-
13	506689801	DIAPHRAGM	1	-
14	506740801	GASKET	1	-
15	505306801	DIAPHRAGM	1	-
16	506740901	BODY	1	-
17	505306701	PUMP	1	-
18	506741001	COVER	1	-
19	506741101	SCREW	4	-

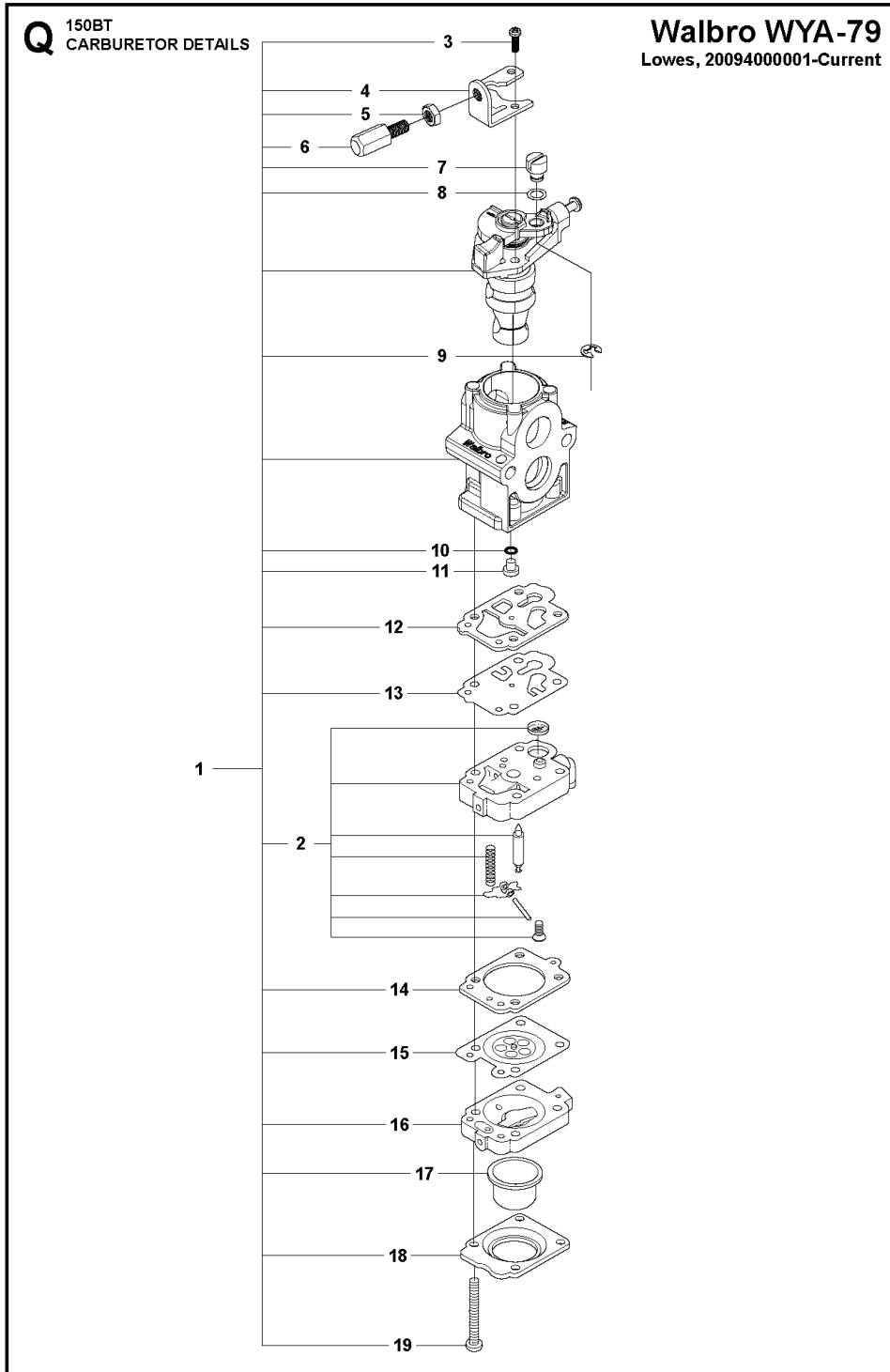
CARBURETOR DETAILS



Ref.	Article N.	Description	Qty	Kit
1	502845001	CARBURETTOR	1	-
2	544363501	BODY CARBURETTOR	1	-

Ref.	Article N.	Description	Qty	Kit
3	544364701	SCREW	2	-
4	544364801	BRACKET	1	-
5	544364901	NUT	1	-
6	544365001	SCREW	1	-
7	544364101	SWIVEL CARB	1	-
8	544364001	WASHER	1	-
9	544364201	RING	1	-
10	544365401	O-RING	1	-
11	504643201	JET	1	-
12	544364301	GASKET	1	-
13	544364401	DIAPHRAGM CARBURETTOR	1	-
14	544364501	GASKET	1	-
15	504643101	DIAPHRAGM CARBURETTOR	1	-
16	544363601	BODY CARBURETTOR	1	-
17	544363901	PUMP	1	-
18	544363801	COVER	1	-
19	544365201	SCREW	4	-

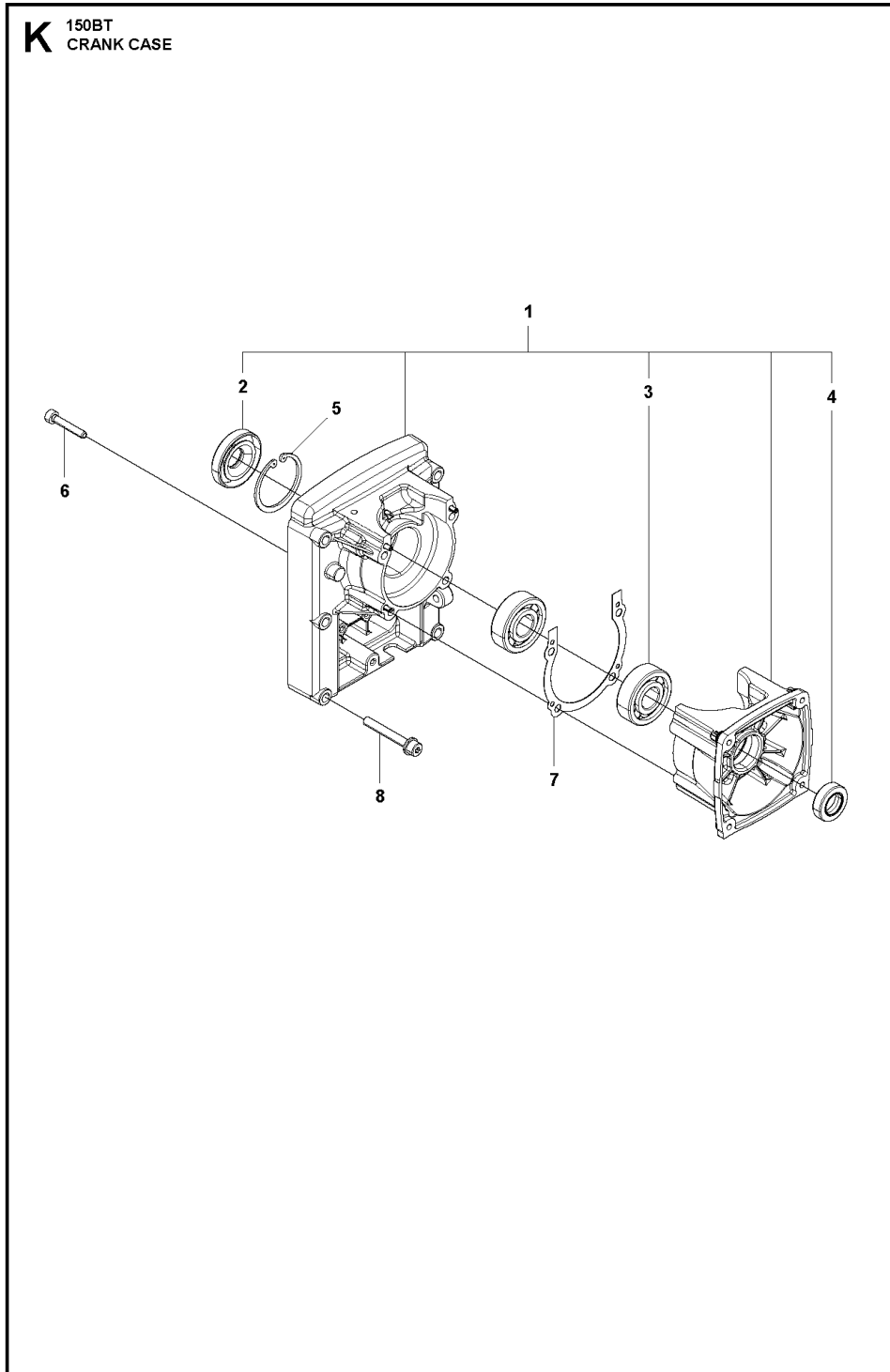
CARBURETOR DETAILS



Ref.	Article N.	Description	Qty	Kit
1	502845001	CARBURETTOR	1	-
2	544363501	BODY CARBURETTOR	1	-

Ref.	Article N.	Description	Qty	Kit
3	505307901	SCREW	2	-
4	506746001	BRACKET	1	-
5	506612601	NUT	1	-
6	506741301	SCREW	1	-
7	506741201	SWIVEL	1	-
8	506746101	WASHER	1	-
9	506738601	RETAINER RING	1	-
10	505307501	O-RING	1	-
11	504643201	JET	1	-
12	506745101	GASKET	1	-
13	506689801	DIAPHRAGM	1	-
14	506740801	GASKET	1	-
15	505306801	DIAPHRAGM	1	-
16	506740901	BODY	1	-
17	505306701	PUMP	1	-
18	506741001	COVER	1	-
19	506741101	SCREW	4	-

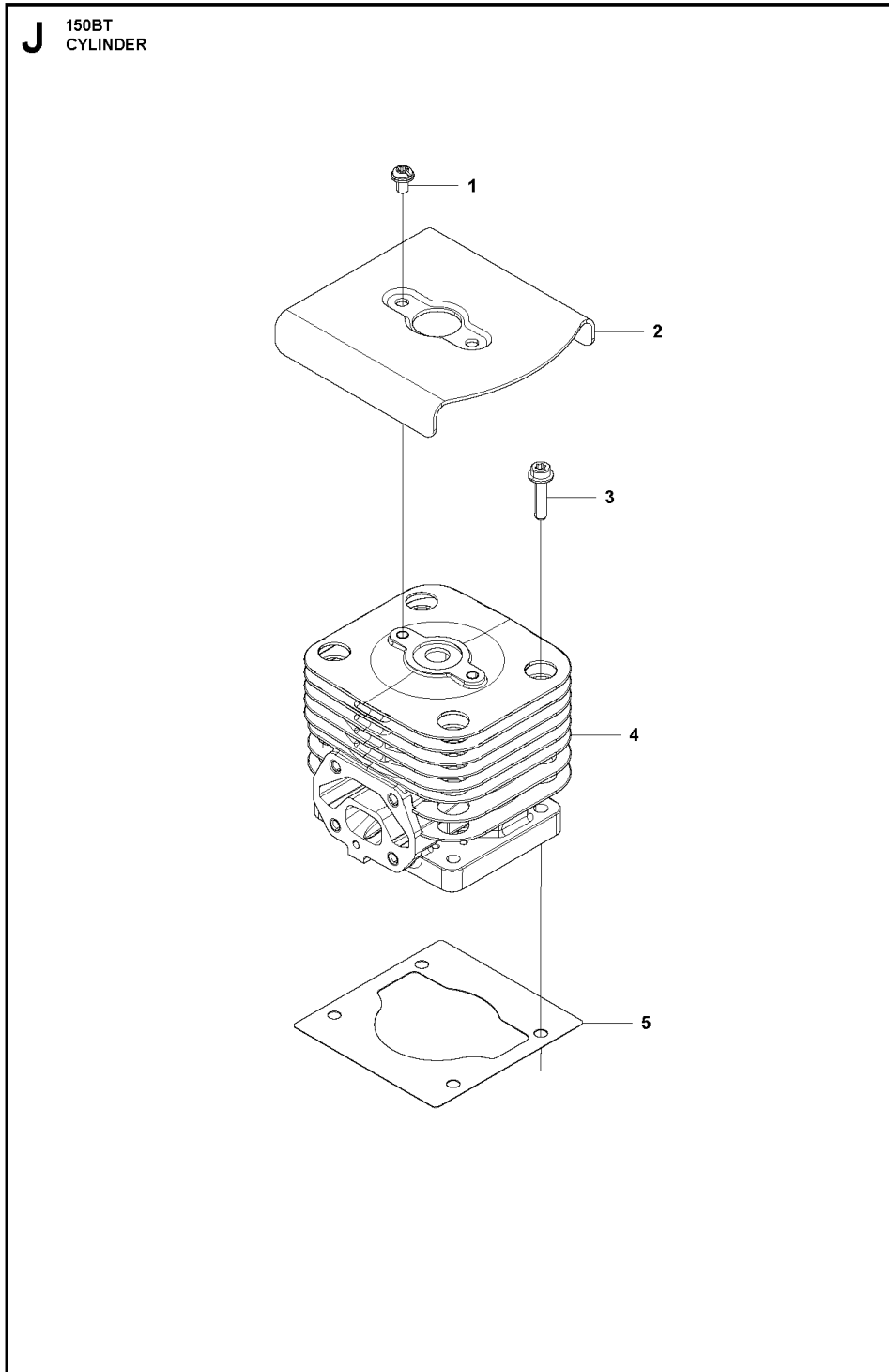
CRANKCASE



Ref.	Article N.	Description	Qty	Kit
1	502848901	CRANKCASE	1	-
2	502849001	SEALING	1	-

Ref.	Article N.	Description	Qty	Kit
3	502849101	BEARING	2	-
4	502849201	SEALING	1	-
5	502849301	SNAP RING	1	-
6	515388101	BOLT	4	-
7	502849401	GASKET	1	-
8	544259101	BOLT	6	-

CYLINDER

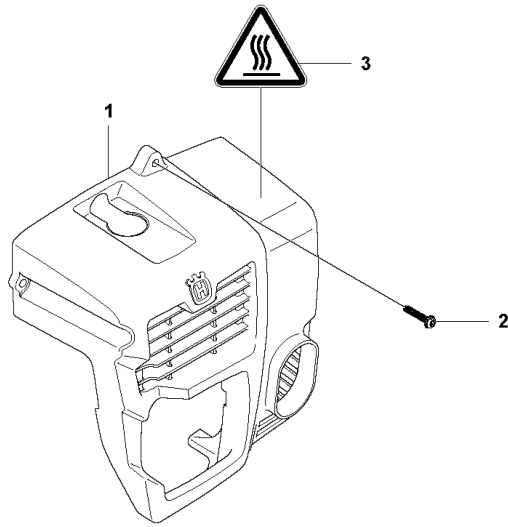


Ref.	Article N.	Description	Qty	Kit
1	544256801	SCREW <i>Alternative : 586495901</i>	2	-
2	502846501	PLATE	1	-

Ref.	Article N.	Description	Qty	Kit
3	506745201	BOLT	4	-
4	502848701	CYLINDER	1	-
5	502848801	GASKET	1	-

CYLINDER COVER

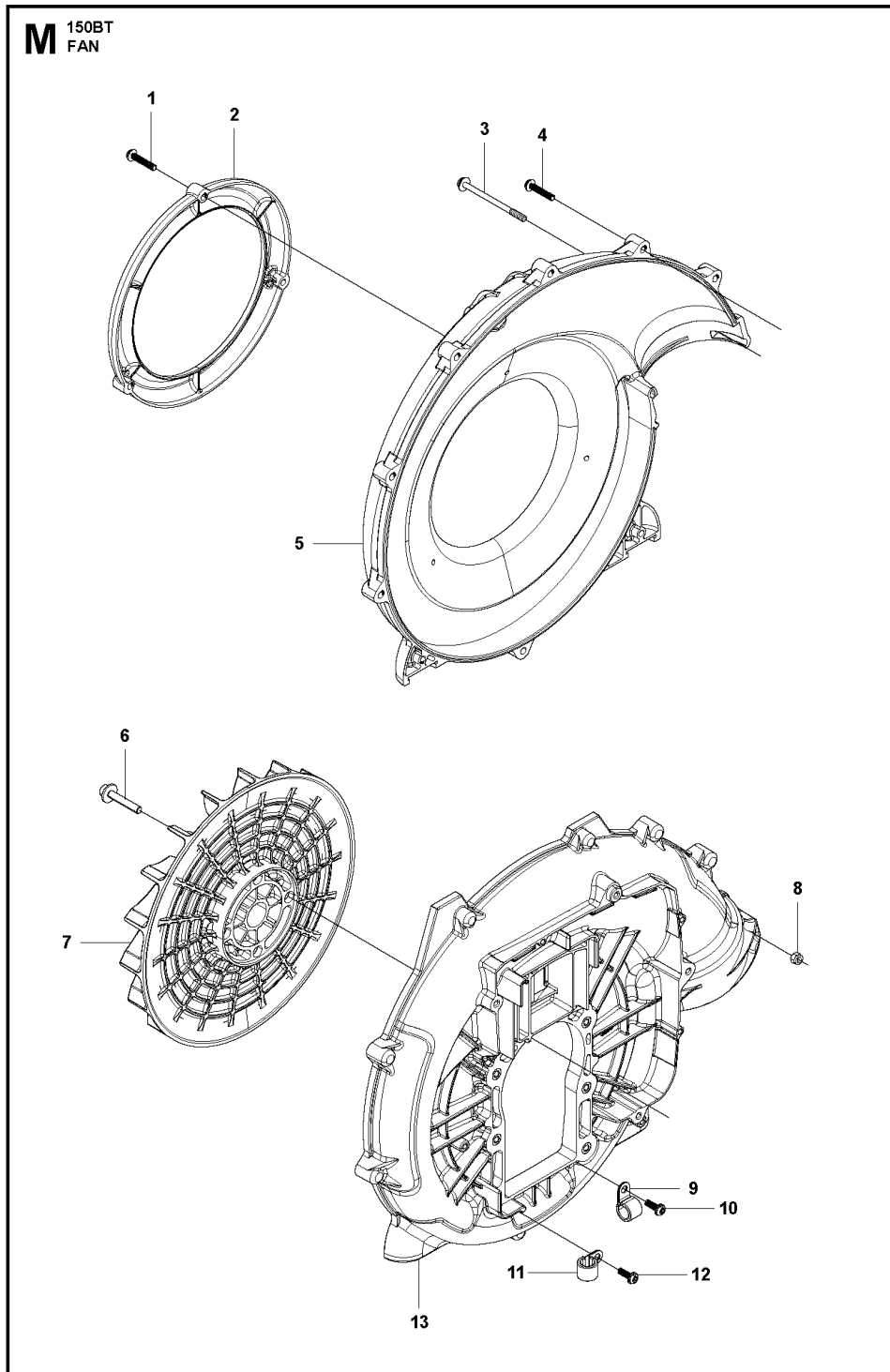
C 150BT
CYLINDER COVER



Ref.	Article N.	Description	Qty	Kit
1	502843001	CYLINDER COVER	1	-
2	512848101	SCREW	4	-

Ref.	Article N.	Description	Qty	Kit
3	521553601	LABEL	1	-

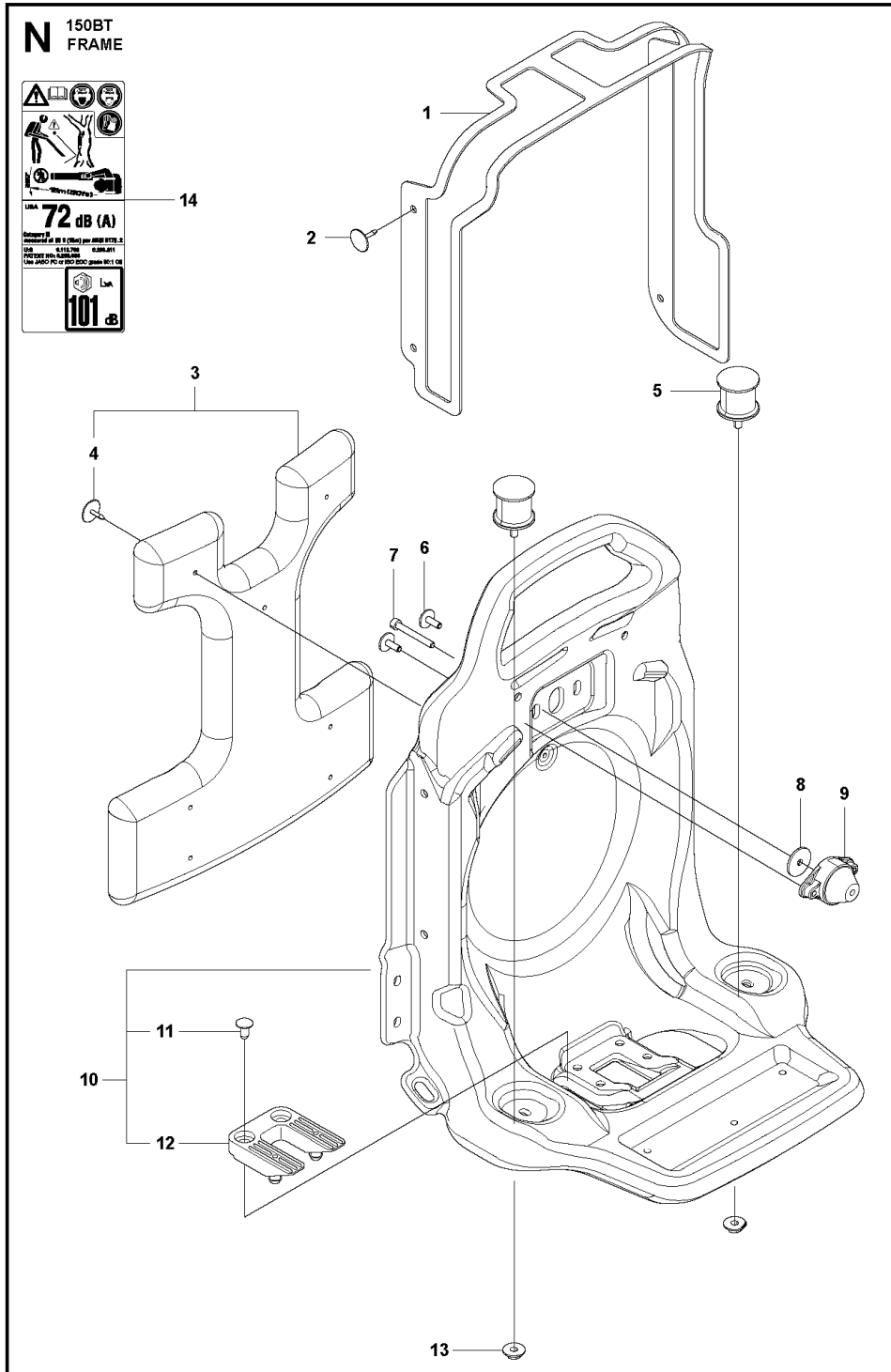
FAN



Ref.	Article N.	Description	Qty	Kit
1	512848101	SCREW	3	-
2	511805201	FUNNEL	1	-

Ref.	Article N.	Description	Qty	Kit
3	544264601	SCREW	2	-
4	512848101	SCREW	9	-
5	511805001	VOLUTE COVER	1	-
6	510906101	BOLT	4	-
7	502850201	FAN	1	-
8	514183901	NUT	2	-
9	504122301	CLAMP	1	-
10	512847901	SCREW <i>Alternative 544 26 43-01</i>	1	-
11	544264901	CLAMP	1	-
12	512847901	SCREW <i>Alternative 544 26 43-01</i>	1	-
13	502850301	FAN HOUSING	1	-

FRAME



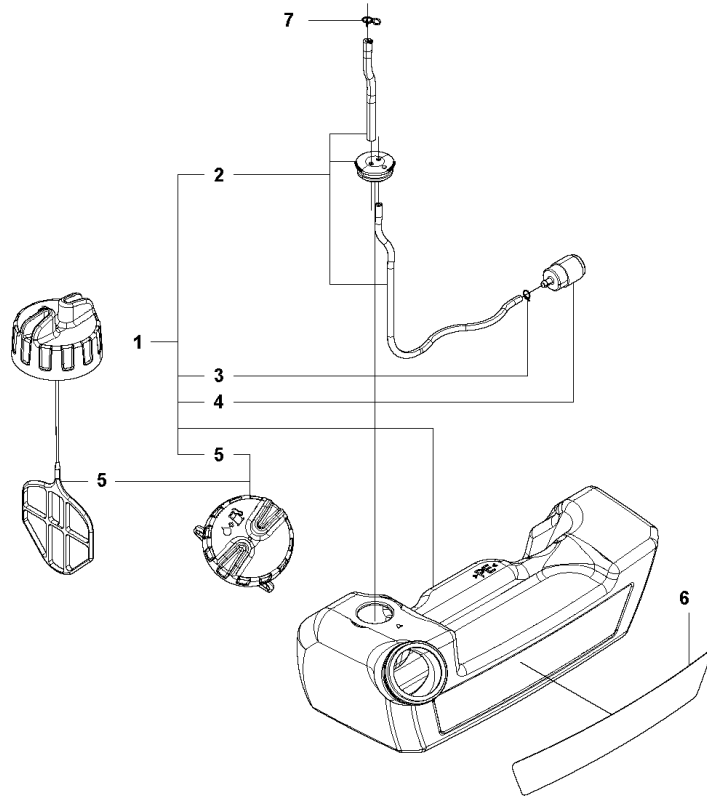
Ref.	Article N.	Description	Qty	Kit
1	544270301	NET s/n 20071800001-2008400000, 2008400001-20194199999	1	-
1	511800901	NET	1	-

Ref.	Article N.	Description	Qty	Kit
		<i>Lowes s/n 20094000001-Current, 965877601 s/n 20180500001-Current</i>		
2	544270401	CLIP	4	-
3	544270101	PAD COMP	1	-
4	544270202	CLIP	7	-
5	513667301	DAMPER	2	-
6	544270801	SCREW	2	-
7	521517201	BOLT	1	-
8	502850501	WASHER	1	-
9	513666701	DAMPER	1	-
10	502850601	FRAME	1	-
11	544270401	CLIP	2	-
12	544363201	CUSHION <i>s/n 20071800001-20084000000, 20084000001-20194199999</i>	1	-
12	511802001	CUSHION <i>Lowes s/n 20094000001-Current, 965877601 s/n 20180500001-Current</i>	1	-
13	513667501	NUT	2	-
14	502850401	DECAL <i>s/n 20071800001-20084000000, 20084000001-20194199999</i>	1	-
14	529295801	LABEL <i>Lowes s/n 20094000001-Current, 965877601 s/n 20180500001-Current</i>	1	-

FUEL TANK

G 150BT
FUEL TANK

965877601, s/n 20180500001-Current



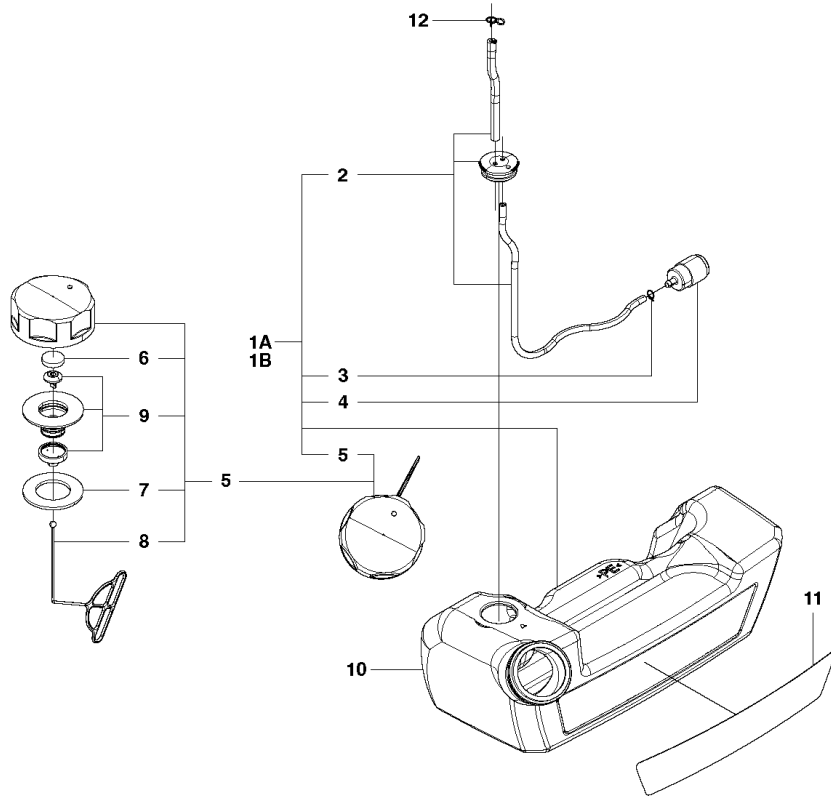
Ref.	Article N.	Description	Qty	Kit
1	581192601	FUEL TANK	1	-
2	597967303	FUEL HOSE ASSY	1	-

Ref.	Article N.	Description	Qty	Kit
3	506707001	CLIP	1	-
4	503443201	FUEL FILTER	1	-
5	578931503	FUEL CAP ASSY	1	-
6	502846202	DECAL	1	-
7	506741501	CLIP	1	-

FUEL TANK

G 150BT
FUEL TANK

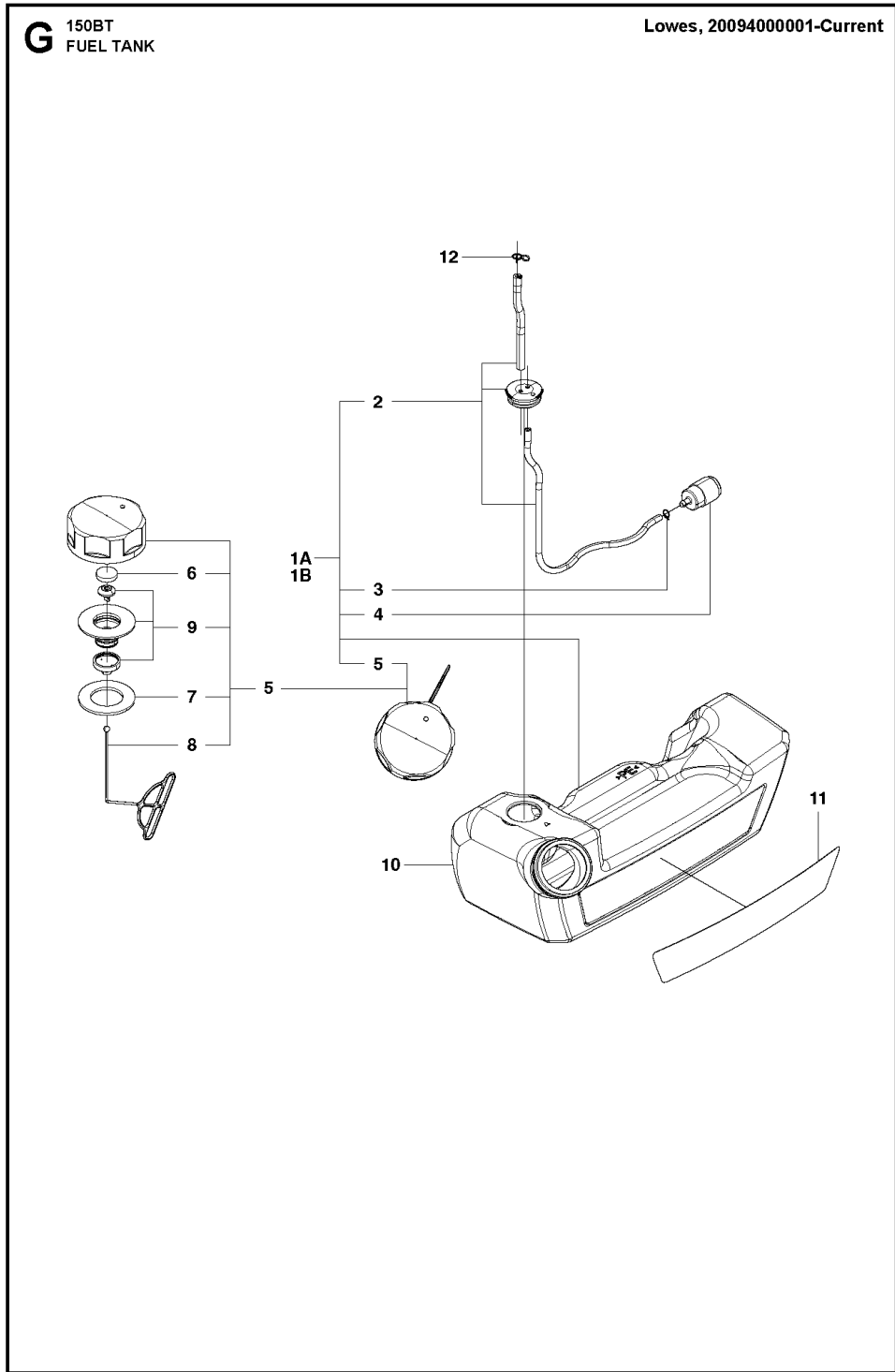
s/n 20071800001-20084000000
s/n 20084000001-20194199999



Ref.	Article N.	Description	Qty	Kit
1	502846101	TANK ASSY.EVP	1	-
1	502846001	TANK ASSY	1	-

Ref.	Article N.	Description	Qty	Kit
2	544272801	FUEL HOSE	1	-
3	544273001	CLIP	1	-
4	544272901	FILTER	1	-
5	504117701	TANK CAP ASSY	1	-
6	544272601	FILTER	1	-
7	544272501	PACKING	1	-
8	504117901	HOLDER	1	-
9	544272401	HOLDER	1	-
11	502846201	DECAL	1	-
12	544273201	CLIP	1	-

FUEL TANK



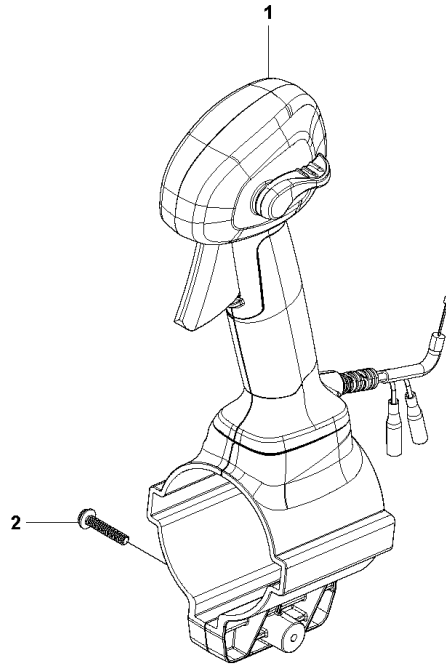
Ref.	Article N.	Description	Qty	Kit
1	581192601	FUEL TANK	1	-
2	579138303	HOSE ASSY	1	-

Ref.	Article N.	Description	Qty	Kit
3	506707001	CLIP	1	-
4	506742601	FILTER	1	-
5	504117701	TANK CAP ASSY	1	-
6	506746801	FILTER	1	-
7	506744301	PACKING	1	-
8	504117901	HOLDER	1	-
9	515369401	TOOL HOLDER	1	-
11	502846201	DECAL	1	-
12	506741501	CLIP	1	-

HANDLE & CONTROLS

B1^{150BT}
HANDLE & CONTROLS

965877601, s/n 20180500001-Current



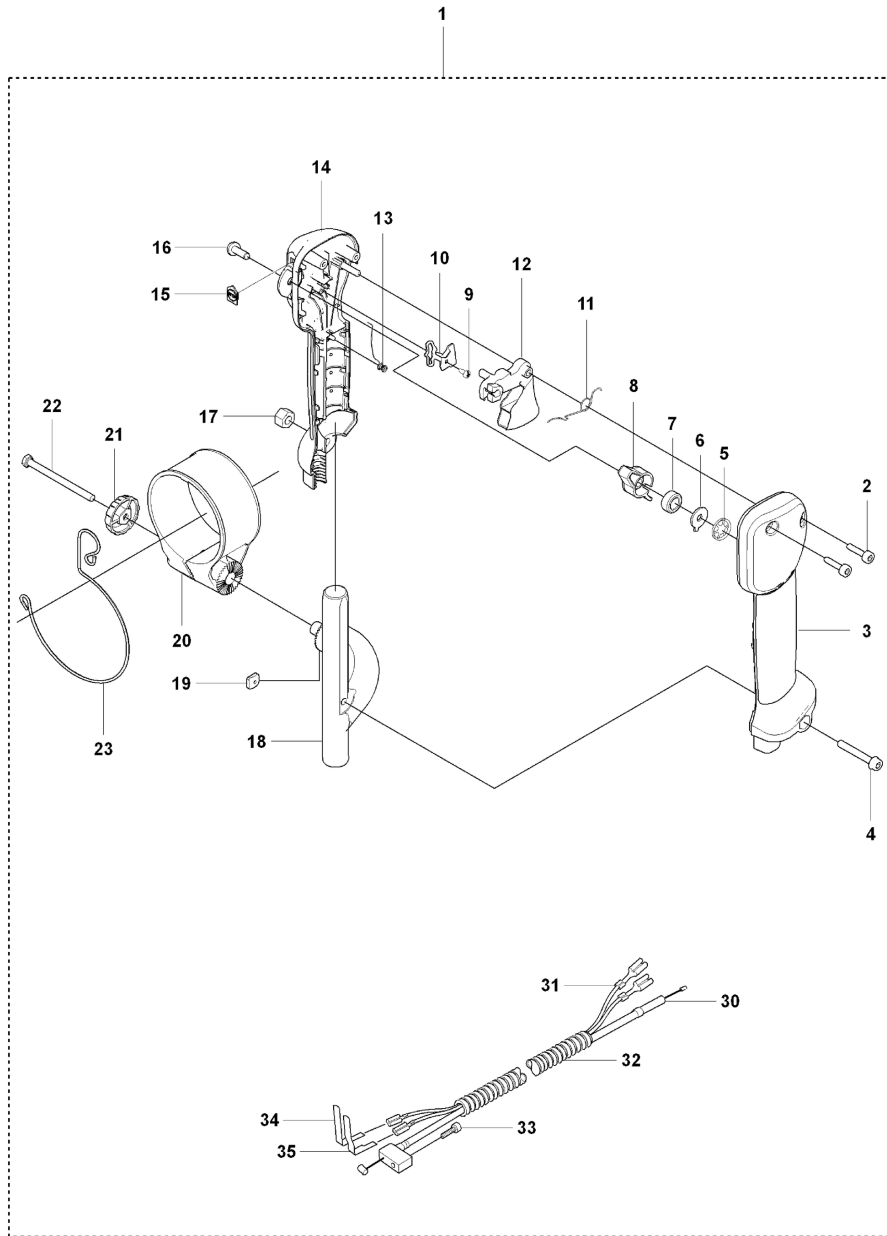
Ref.	Article N.	Description	Qty	Kit
1	584242102	HANDLE ASSY	1	-
2	512847901	SCREW	1	-

HANDLE & CONTROLS

B2 150BT
HANDLE & CONTROLS

s/n 2008400001-20194199999

Only in
150BT



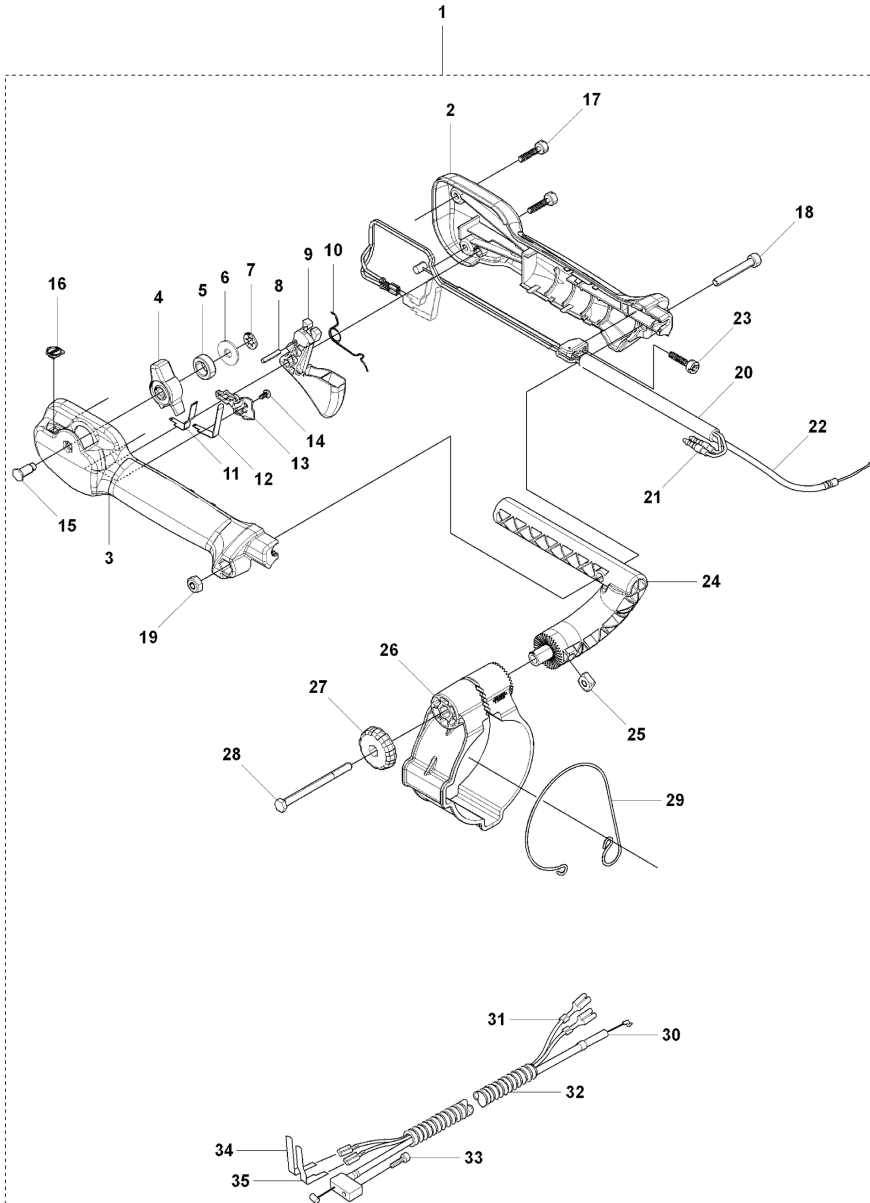
Ref.	Article N.	Description	Qty	Kit
1	522519101	HANDLE ASSY	1	-
2	503216618	SCREW IHST	2	-

Ref.	Article N.	Description	Qty	Kit
3	502244901	HANDLE HALF	1	-
4	503200735	SCREW IHSCFM	1	-
5	735583501	WASHER	1	-
6	505181501	WASHER	1	-
7	537373901	SPRING	1	-
8	502245501	CONTROL	1	-
9	503212906	SCREW CCRPANT	1	-
10	502246001	RETAINER	1	-
11	537174201	SPRING	1	-
12	502245401	TRIGGER	1	-
13	505567901	SPRING	1	-
14	502244801	HANDLE HALF	1	-
15	502641701	PLATE	1	-
16	537141203	SHAFT PIVOT	1	-
17	503221013	HEXAGON NUT	1	-
18	502245301	HOLDER	1	-
19	503226504	SQUARE NUT	1	-
20	544275901	HOLDER	1	-
21	504800301	TURNING KNOB	1	-
22	725234451	SCREW EHHM	1	-
23	502842801	CLAMP	1	-
30	522483101	CABLE	1	-
31	522483001	CORD	1	-
32	522483401	TUBE	1	-
33	544275101	SCREW	1	-
34	537226301	CONNECTOR	1	-
35	537226201	CONNECTOR	1	-

HANDLE & CONTROLS

B3 150BT
HANDLE & CONTROLS

s/n 20071800001-20084000000



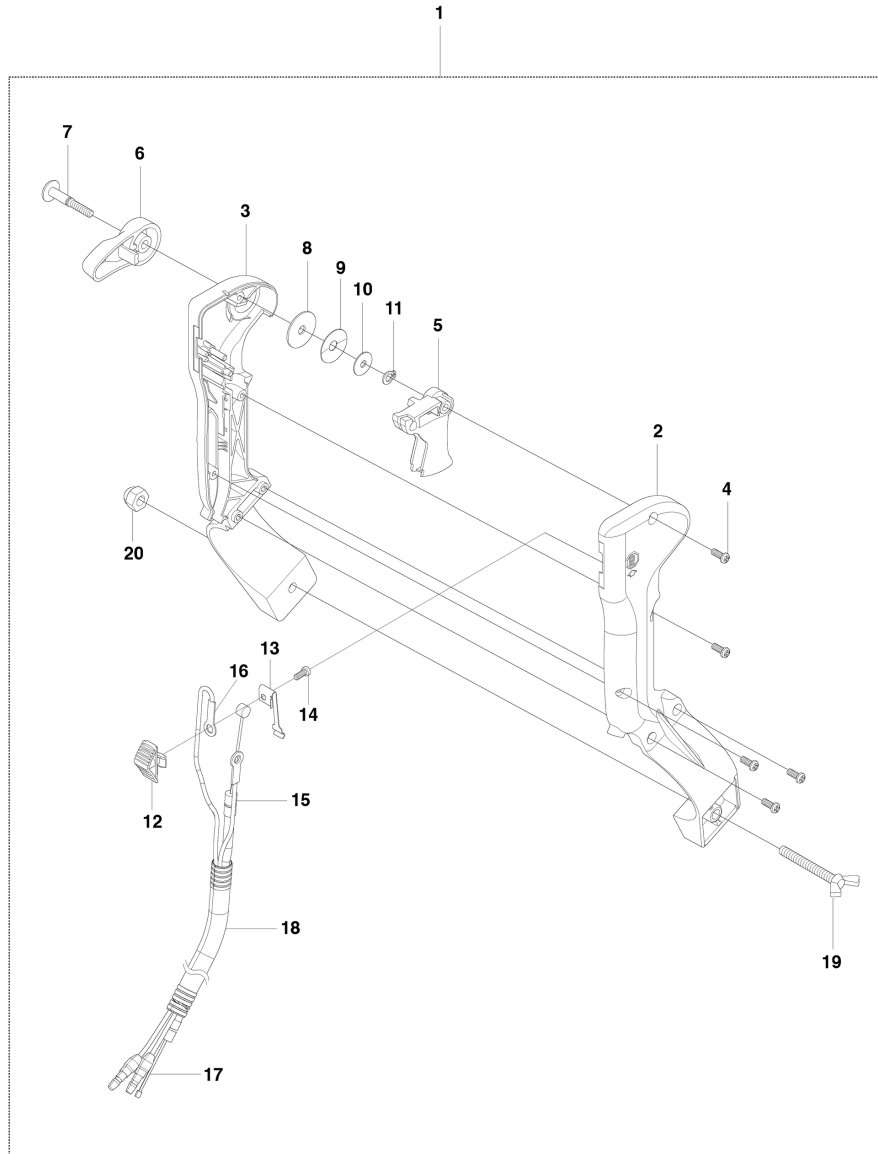
Ref.	Article N.	Description	Qty	Kit
1	502842701	LEVER-A	1	-
2	537142501	CASE	1	-

Ref.	Article N.	Description	Qty	Kit
3	537142001	HANDLE HALF	1	-
4	537141001	LEVER	1	-
5	537373901	SPRING	1	-
6	734114741	WASHER	1	-
7	735583501	WASHER	1	-
8	720123620	PARALLEL PIN	1	-
9	537160801	THROTTLE TRIGGER	1	-
10	537174201	SPRING	1	-
11	537226201	CONNECTOR	1	-
12	537226301	CONNECTOR	1	-
13	537216401	STOPPER	1	-
14	503212906	SCREW CCRPANT	1	-
15	537141201	SHAFT	1	-
16	537277701	PLATE	1	-
17	503216618	SCREW IHSC T	2	-
18	503200735	SCREW IHSCFM	1	-
19	503221013	HEXAGON NUT	1	-
20	502237401	TUBE	1	-
21	544275301	CORD	1	-
22	502237501	CABLE	1	-
23	544275101	SCREW	1	-
24	537260201	STAY	1	-
25	503226504	SQUARE NUT	1	-
26	544275902	HOLDER	1	-
27	502204001	KNOB	1	-
28	725234451	SCREW EHHM	1	-
29	502842801	CLAMP	1	-
30	544275401	CABLE	1	-
31	544275301	CORD	1	-
32	544275501	TUBE	1	-
33	544275101	SCREW	1	-
34	537226301	CONNECTOR	1	-
35	537226201	CONNECTOR	1	-

HANDLE & CONTROLS

B4 150BT
HANDLE & CONTROLS

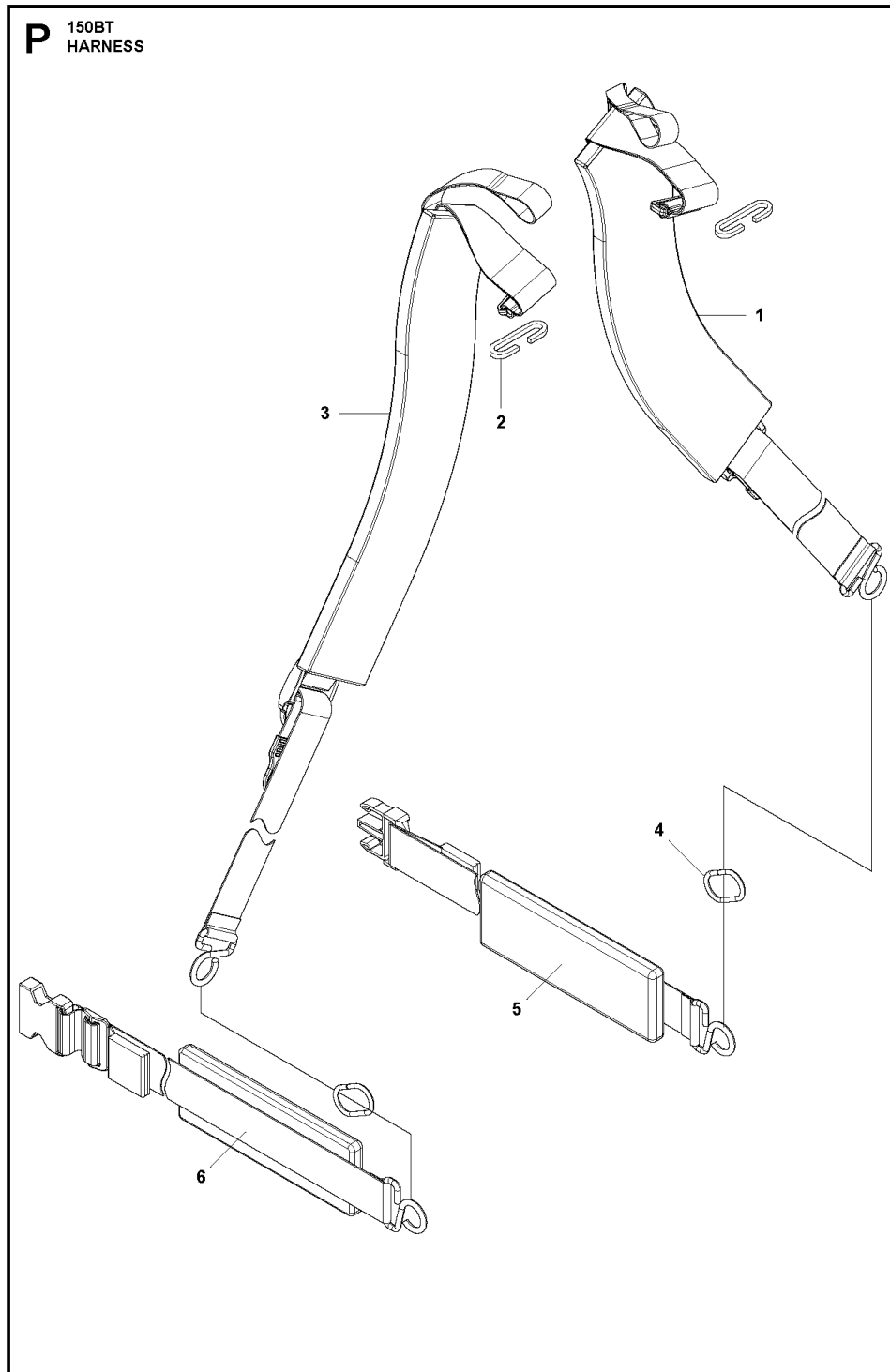
Lowes, 20094000001-Current



Ref.	Article N.	Description	Qty	Kit
1	573931401	LEVER	1	-
2	512690801	COVER	1	-

Ref.	Article N.	Description	Qty	Kit
3	511746901	CASE	1	-
4	521840701	SCREW	5	-
5	512694901	LEVER.THROTTLE	1	-
6	521673501	LEVER	1	-
7	512695601	SHAFT	1	-
8	521841101	WASHER	1	-
9	521841201	SPRING	1	-
10	514154401	WASHER	1	-
11	521841301	CLIP	1	-
12	512698001	SWITCH	1	-
13	521841601	SPRING	1	-
14	521841701	SCREW	1	-
15	521841801	CORD	1	-
16	521841901	CORD	1	-
17	512699701	CABLE	1	-
18	521524301	TUBE	1	-
19	514338401	WING BOLT	1	-
20	513671401	NUT	1	-

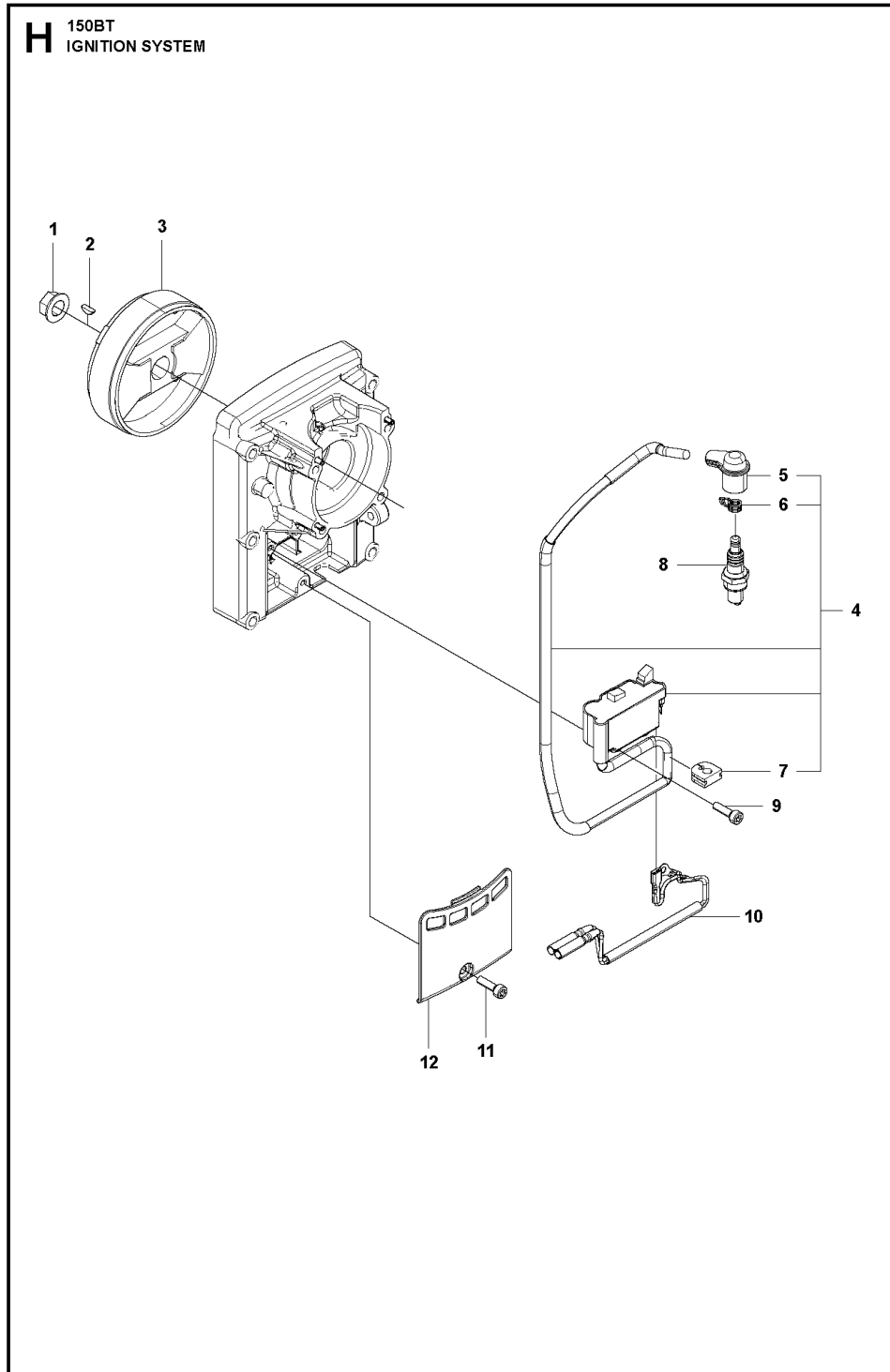
HARNESS



Ref.	Article N.	Description	Qty	Kit
1	511802901	BAND	1	-
2	544270001	CLIP	2	-

Ref.	Article N.	Description	Qty	Kit
3	511803001	BAND	1	-
4	514331601	RING	2	-
5	511803601	BAND	1	-
6	511803801	BAND	1	-

IGNITION SYSTEM

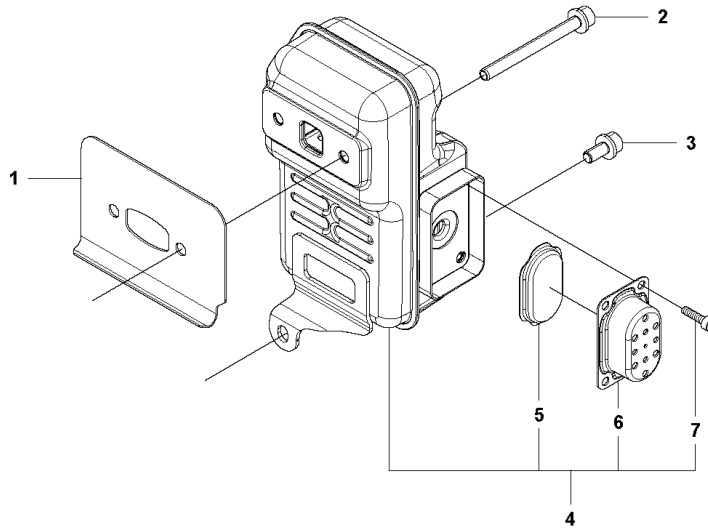


Ref.	Article N.	Description	Qty	Kit
1	586496401	NUT 965877601, s/n 20180500001-Current	1	-
1	513241901	NUT	1	-

Ref.	Article N.	Description	Qty	Kit
		<i>Lowe's 20094000001-Current, s/n 20071800001-20084000000, 20084000001-20194199999</i>		
2	506689401	KEY	1	-
3	502846301	FLYWHEEL	1	-
4	581177701	COIL <i>965877601, s/n 20180500001-Current</i>	1	-
4	502846401	IGNITION MODULE <i>Lowe's 20094000001-Current, s/n 20071800001-20084000000, 20084000001-20194199999</i>	1	-
5	512444001	HUB CAP	1	-
6	504118201	SPRING	1	-
7	515415301	GROMMET	1	-
8	506615101	SPARK PLUG	1	-
8	581362301	SPARK PLUG <i>965877601, s/n 20180500001-Current</i>	1	-
9	581378801	BOLT <i>Alternative 506 74 57-01</i>	2	-
10	505183701	CORD	1	-
11	581378801	BOLT <i>Alternative 506 74 57-01</i>	1	-
12	513663901	COVER	1	-

MUFFLER

F 150BT
MUFFLER

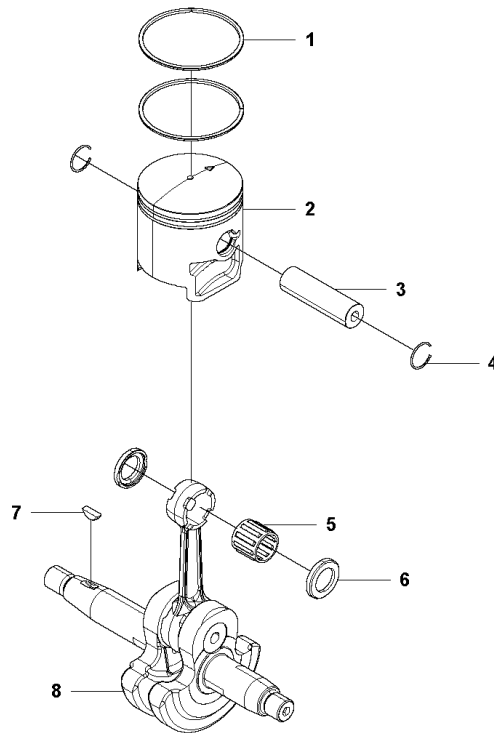


Ref.	Article N.	Description	Qty	Kit
1	502845601	GASKET <i>s/n 20071800001-20084000000, 20084000001-20194199999</i>	1	-
1	511494201	GASKET	1	-

Ref.	Article N.	Description	Qty	Kit
		<i>965877601, s/n 20180500001-Current, Lowes s/n 20094000001-Current</i>		
2	584633901	BOLT	2	-
3	586496101	BOLT <i>alternative 544 25 80-01</i>	1	-
4	502845701	MUFFLER ASSY	1	-
5	502845801	SPARK ARRESTER SCREEN	1	-
6	502845901	EXHAUST DUCT	1	-
7	584273601	BOLT <i>alternative : 544 36 27-01</i>	4	-

PISTON & CRANKSHAFT

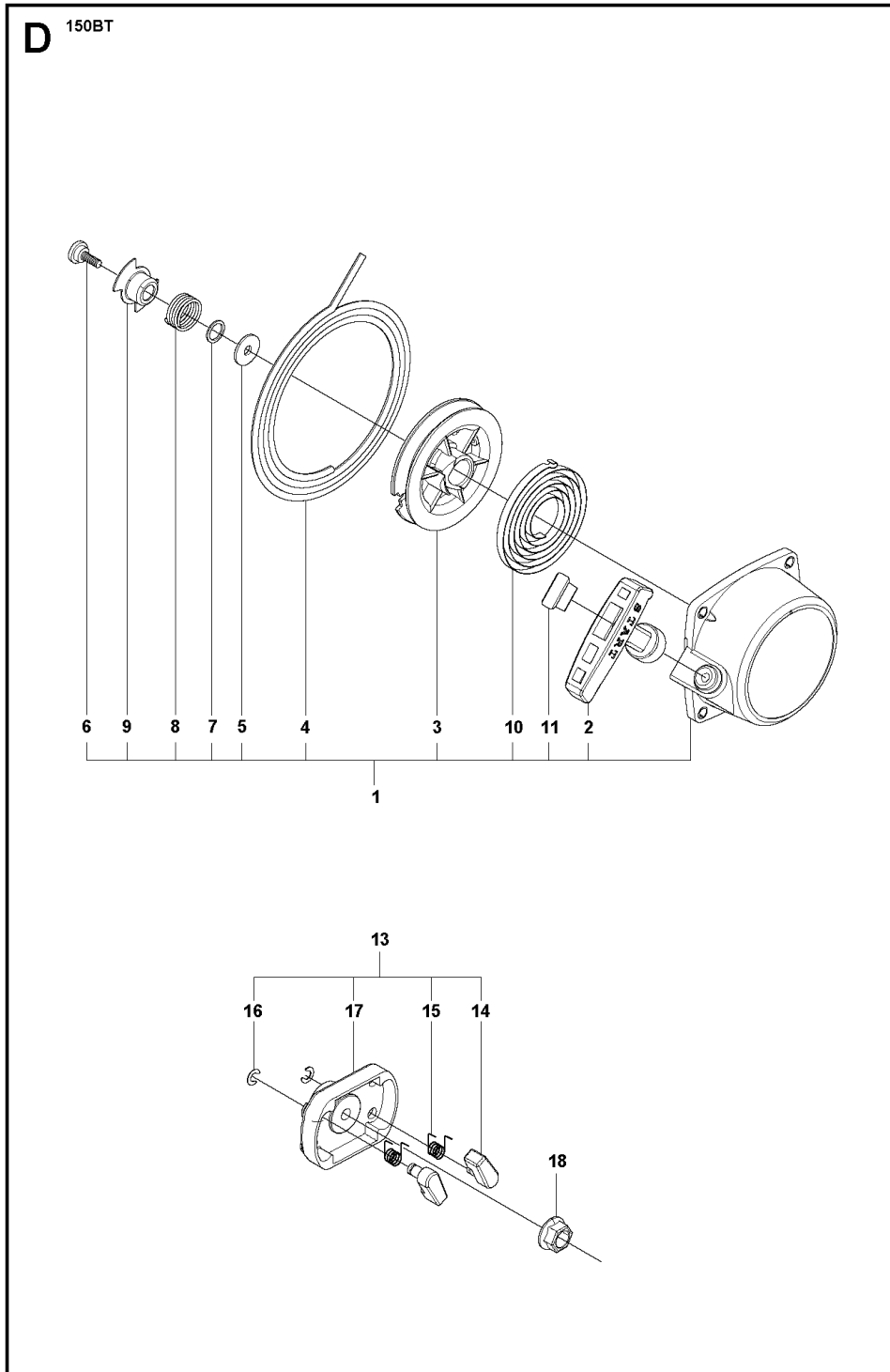
L 150BT
PISTON & CRANKSHAFT



Ref.	Article N.	Description	Qty	Kit
1	502849501	PISTON RING	2	-
2	502849601	PISTON	1	-

Ref.	Article N.	Description	Qty	Kit
3	510916901	PIN	1	-
4	502849801	SNAP RING	2	-
5	502849901	BEARING	1	-
6	502850001	WASHER	2	-
7	506689401	KEY	1	-
8	502850101	CRANKSHAFT	1	-

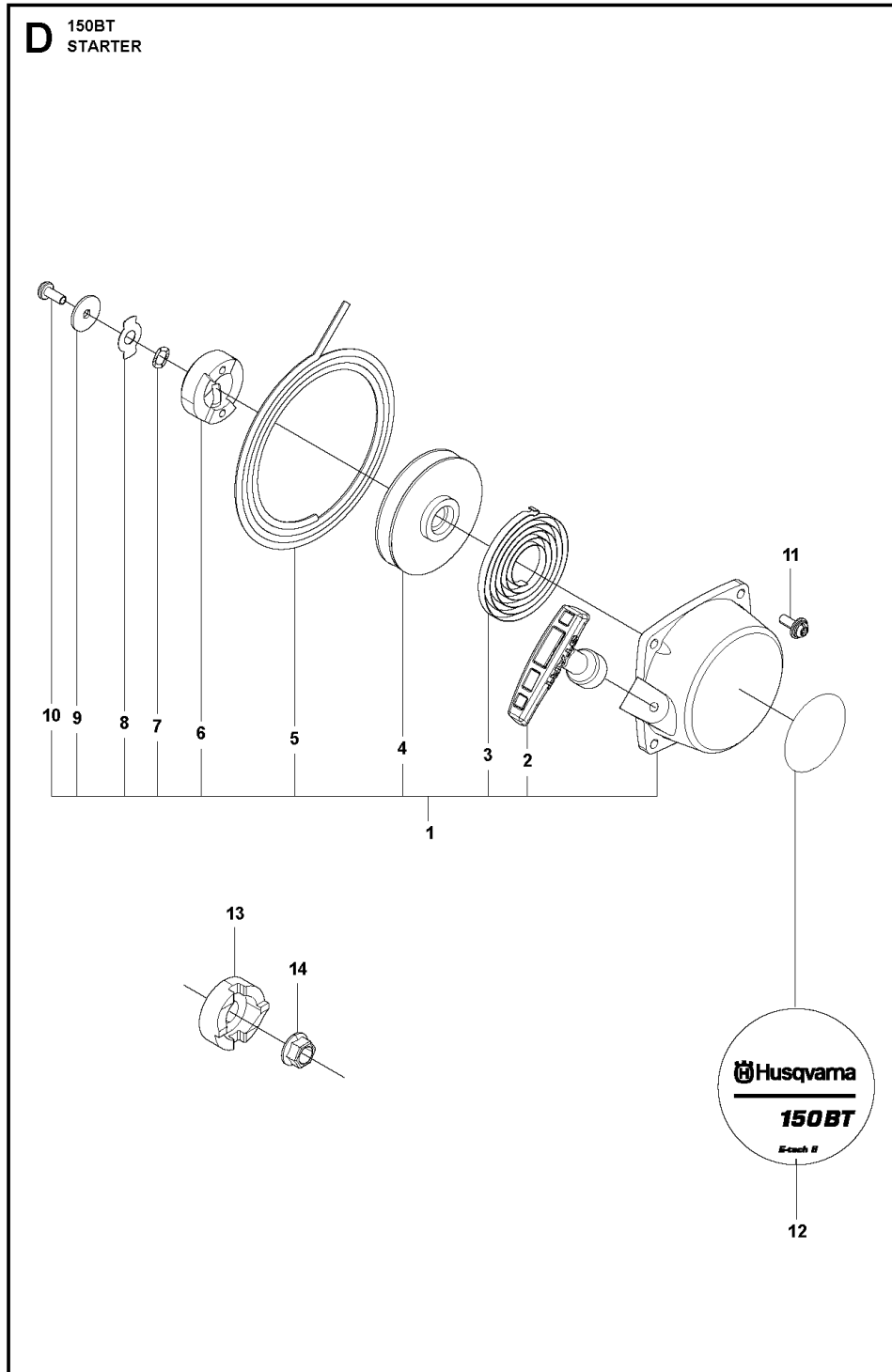
STARTER



Ref.	Article N.	Description	Qty	Kit
1	579813601	STARTER ASSY <i>s/n 20213100102 - Current</i>	1	-
2	501929201	STARTER HANDLE	1	-

Ref.	Article N.	Description	Qty	Kit
		<i>s/n 20213100102 - Current</i>		
3	598651601	REEL <i>s/n 20213100102 - Current</i>	1	-
4	579814101	STARTER ROPE <i>s/n 20213100102 - Current</i>	1	-
5	501931701	WASHER <i>s/n 20213100102 - Current</i>	1	-
6	598740101	SCREW <i>s/n 20213100102 - Current</i>	1	-
7	598745401	WASHER <i>s/n 20213100102 - Current</i>	1	-
8	598656301	SPRING <i>s/n 20213100102 - Current</i>	1	-
9	598656401	PLATE <i>s/n 20213100102 - Current</i>	1	-
10	501935201	SPRING <i>s/n 20213100102 - Current</i>	1	-
11	501938701	STOPPER <i>s/n 20213100102 - Current</i>	1	-
13	579814201	STARTER PULLEY ASSY <i>s/n 20213100102 - Current</i>	1	-
14	598656501	RATCHET <i>s/n 20213100102 - Current</i>	2	-
15	501938901	SPRING <i>s/n 20213100102 - Current</i>	2	-
16	501939001	CLIP <i>s/n 20213100102 - Current</i>	2	-
17	579814401	STARTER PULLEY <i>s/n 20213100102 - Current</i>	1	-
18	513241901	NUT <i>s/n 20213100102 - Current</i>	1	-

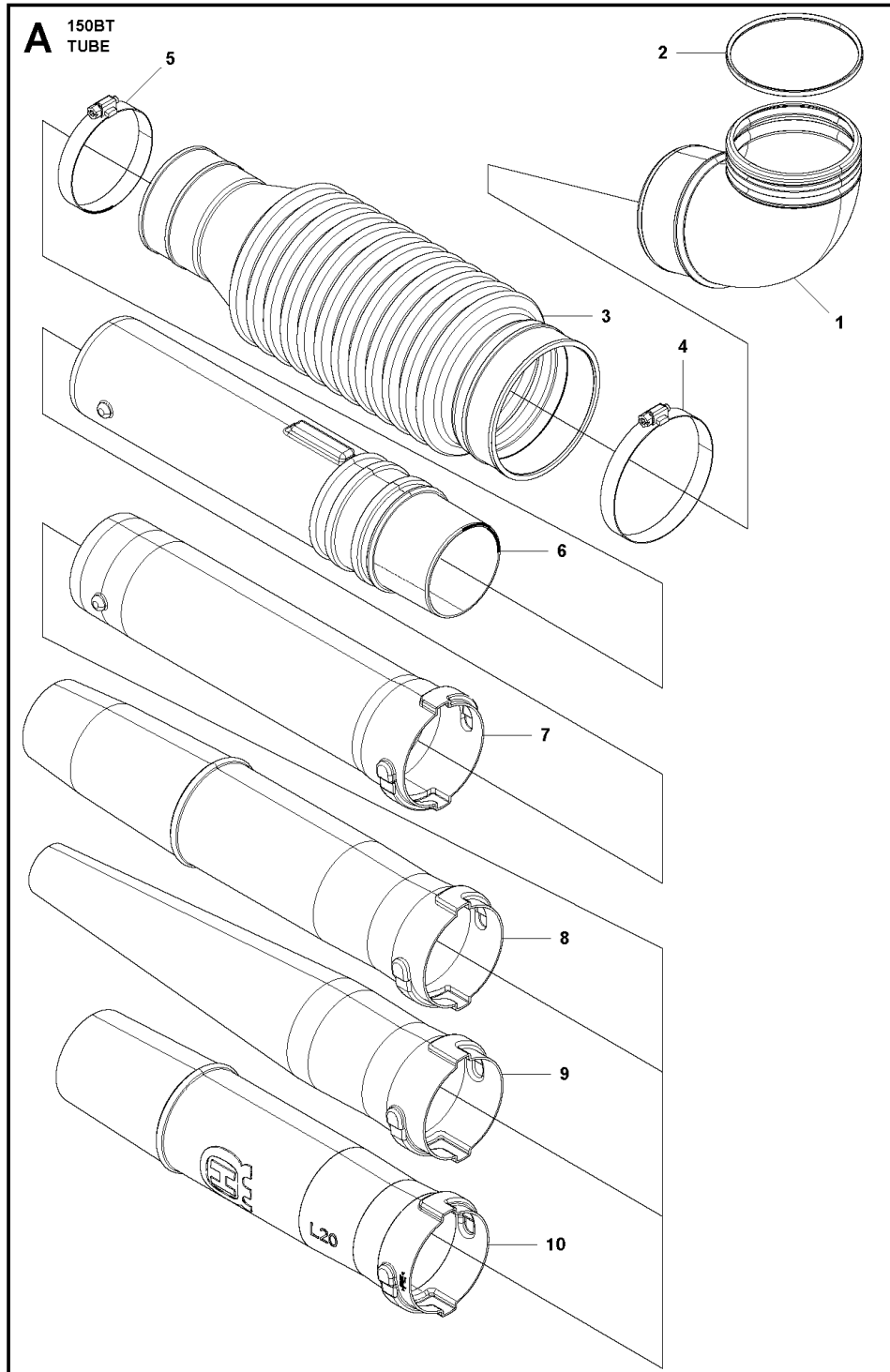
STARTER



Ref.	Article N.	Description	Qty	Kit
1	502843101	STARTER ASSY	1	-
2	502843201	KNOB	1	-

Ref.	Article N.	Description	Qty	Kit
3	502843301	SPRING	1	-
4	502843401	STARTER PULLEY	1	-
5	502843501	CORD	1	-
6	504554801	STARTER PAWL	1	-
7	502843601	WASHER	1	-
8	504554901	RETAINER	1	-
9	502843701	WASHER	1	-
10	502843801	SCREW	1	-
11	586496501	SCREW <i>Alternative 502 84 39-01</i>	4	-
12	529295701	LABEL	1	-
13	513288801	PULLEY	1	-
14	513241901	NUT	1	-

TUBE



Ref.	Article N.	Description	Qty	Kit
1	577078702	ELBOW	1	-
2	516135401	O-RING	1	-

Ref.	Article N.	Description	Qty	Kit
3	577078801	PIPE	1	-
4	544274101	CLAMP	1	-
5	504064901	CLAMP	1	-
6	577078902	TUBE	1	-
7	577079302	TUBE	1	-
8	577079502	PIPE	1	-
9	577079602	PIPE	1	-
10	504064601	TUBE	1	-