

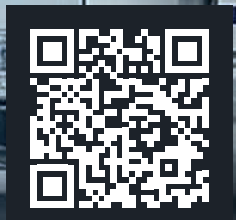
# TECNA®

Resistance Welding Systems & Balancers



## General Catalogue FOOD INDUSTRY BALANCERS

CAPACITY 0,2 ÷ 180 kg





TECNA S.P.A. - VIA MEUCCI, 27 - CASTEL SAN PIETRO TERME

TECNA produces and distributes a complete range of BALANCERS having a capacity from 0.2 kg to 180 kg and an available standard wire stroke up to 3 meters. The TECNA BALANCER is an essential device to eliminate the operator's labour, to increase productivity by cutting down tools handling time and to improve work quality. Furthermore, the use of the TECNA BALANCERS reduces hoses and cables wear and avoids eventual damages to both people and tools.

The application of the TECNA BALANCER is absolutely versatile: it may be used for bench or assembly line works and it may be suitably applied to small tools, industrial suspended welders and multiple screw drivers. The ergonomic structure of the TECNA balancers has been designed to facilitate each application of use, ranging from movement easiness to body robustness, from simple use to lifting power.

TECNA, as a primary manufacturer, realizes special as well as customized versions upon demand.



TECNA S.P.A. - VIA GR



Made in Italy





TECO, 25/27 - CASTEL SAN PIETRO TERME



**ATEX**  **COMPLIANT**  
**ATmosphères EXplosibles**  
**SPRING BALANCERS**



DIN 15112:1979

# MAIN APPLICATIONS

## FOOD & BEVERAGE



## MEAT PROCESSING



## DAIRY INDUSTRY



## BAKERY & CONFECTIONERY

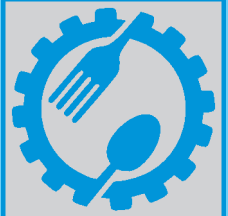
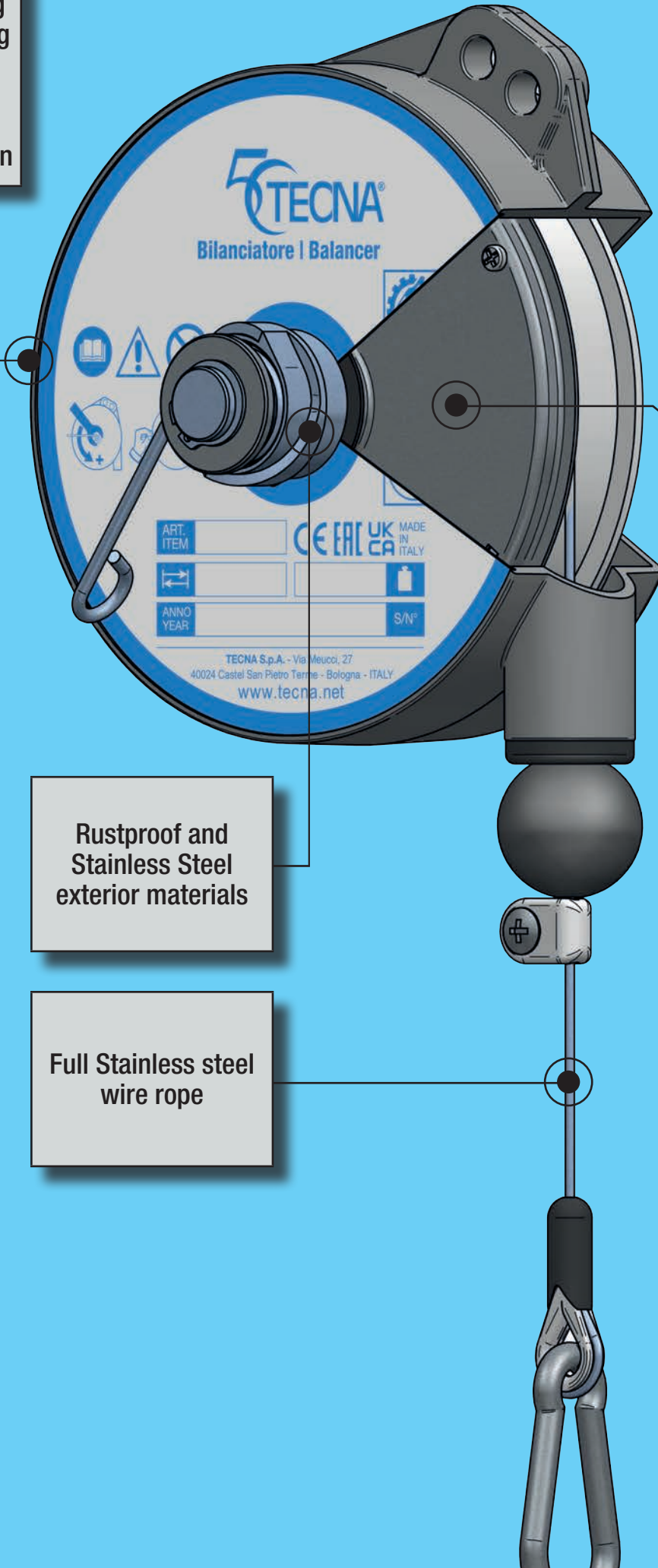


## INDUSTRIAL WASHING & SANITISING

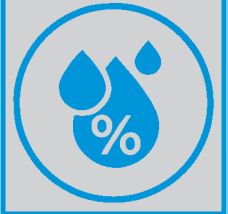


# RETRACTORS

Aluminium housing  
with Hard Anodizing  
treatment  
Resistant to  
oxidation and  
chemical aggression



**FOOD  
INDUSTRY  
BALANCERS**



NSF-H1 certified  
food grade grease

**H1**

Rustproof and  
Stainless Steel  
exterior materials



Full Stainless steel  
wire rope





9310IL÷9313IL

9320IL÷9323IL



	1600 mm
	0,2÷3 kg



	2000 mm
	1÷8 kg





9336LIL÷9340IL



9346LIL÷9350IL

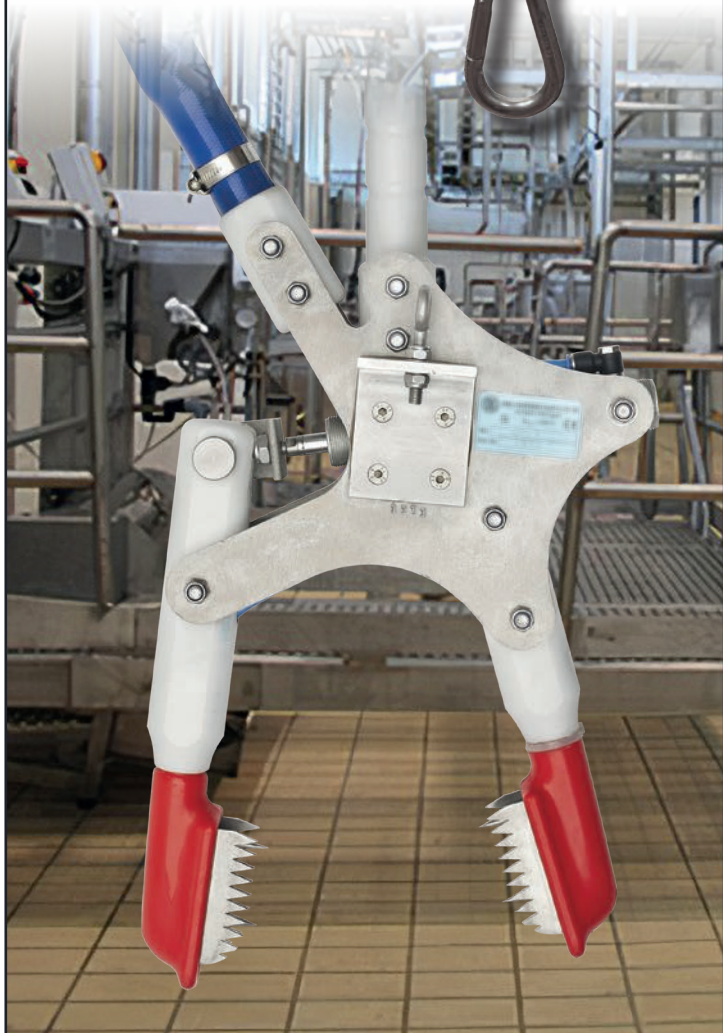


STOP



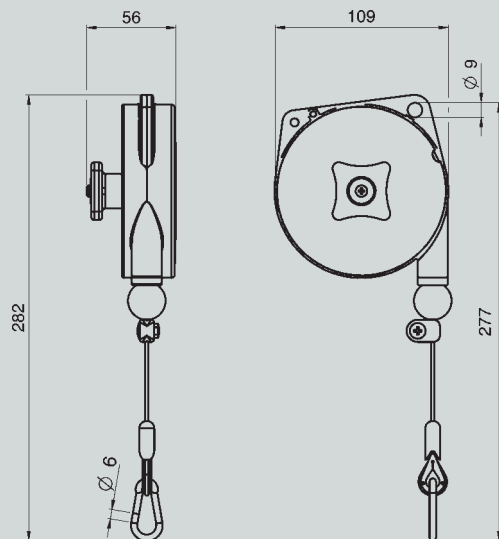
	2500 mm
	0,5÷14 kg

	2500 mm
	0,5÷14 kg

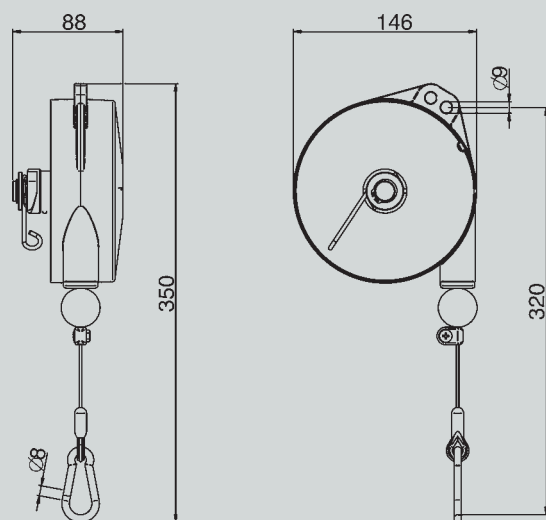


# BALANCERS TECHNICAL FEATURES

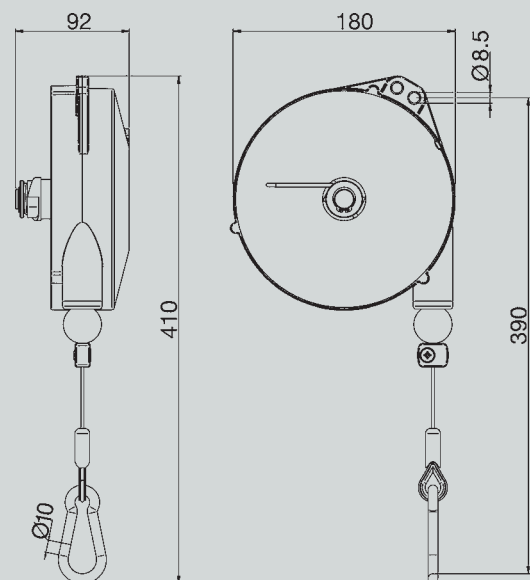
Art.	1600 mm	2000 mm	2500 mm
9310IL	0,2÷0,5 kg		
9311IL	0,4÷1,0kg		
9312IL	1,0÷2,0 kg		
9313IL	2,0÷3,0 kg		
9320IL		1,0÷2,5 kg	
9321IL		2,0÷4,0 kg	
9322IL		4,0÷6,0 kg	
9323IL		6,0÷8,0 kg	
9336LIL			0,5÷2,0 kg
9336IL			2,0÷4,0 kg
9337IL			4,0÷6,0 kg
9338IL			6,0÷8,0 kg
9339IL			8,0÷10 kg
9340IL			10÷14 kg
*9346LIL			0,5÷2,0 kg
*9346IL			2,0÷4,0 kg
*9347IL			4,0÷6,0 kg
*9348IL			6,0÷8,0 kg
*9349IL			8,0÷10 kg
*9350IL			10÷14 kg



9310IL÷9313IL



9320IL÷9323IL



9336LIL÷9350IL

\* STOP device



# ZERO GRAVITY BALANCERS



**FOOD  
INDUSTRY  
BALANCERS**



Rustproof and  
Stainless Steel  
exterior materials

NSF-H1 Certified  
Food Grade Grease

**H1**

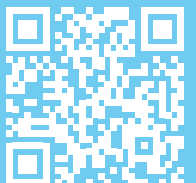
Aluminium housing  
with high-strength  
Rilsan treatment  
against oxidation  
and chemical  
aggression  
from soaps and  
detergents.  
Facilitates cleaning  
and sanitising of the  
surface

Rustproof and  
Stainless Steel  
Interior Materials

Food Grade Rope  
guide, Shock  
absorber and wire  
cap



Full Stainless steel  
wire rope



# 9354RL÷9359RL



2000 mm



4÷25 kg



# 9502RL÷9525RL

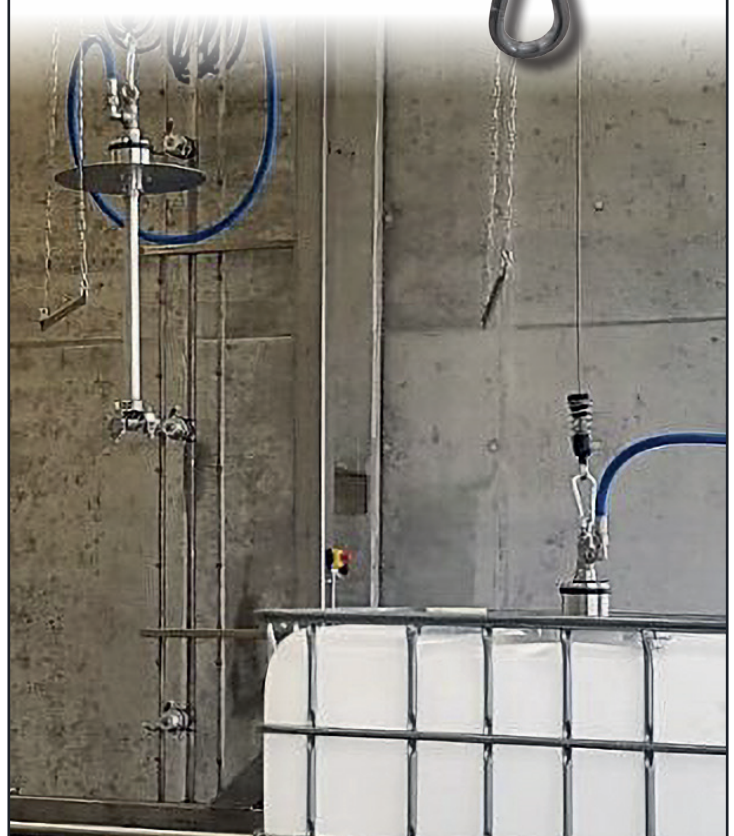


2100 mm

2700 mm





12÷100 kg






9361RL÷9369RL

9411RL÷9456RL



	2000 mm
	10÷75 kg

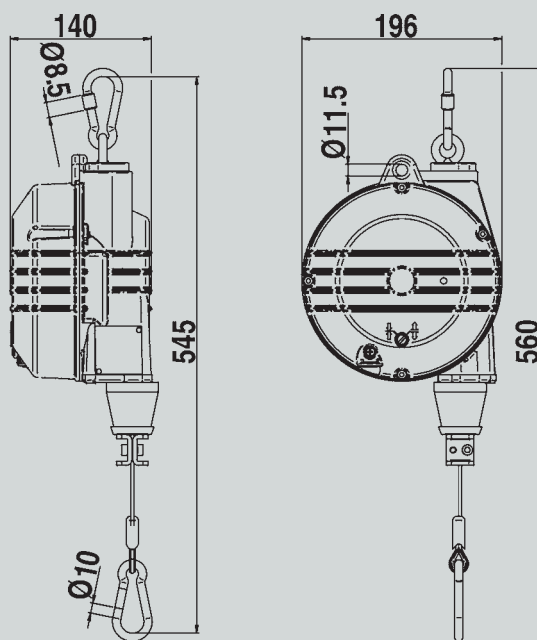


	2500 mm
	3000 mm
	35÷180 kg

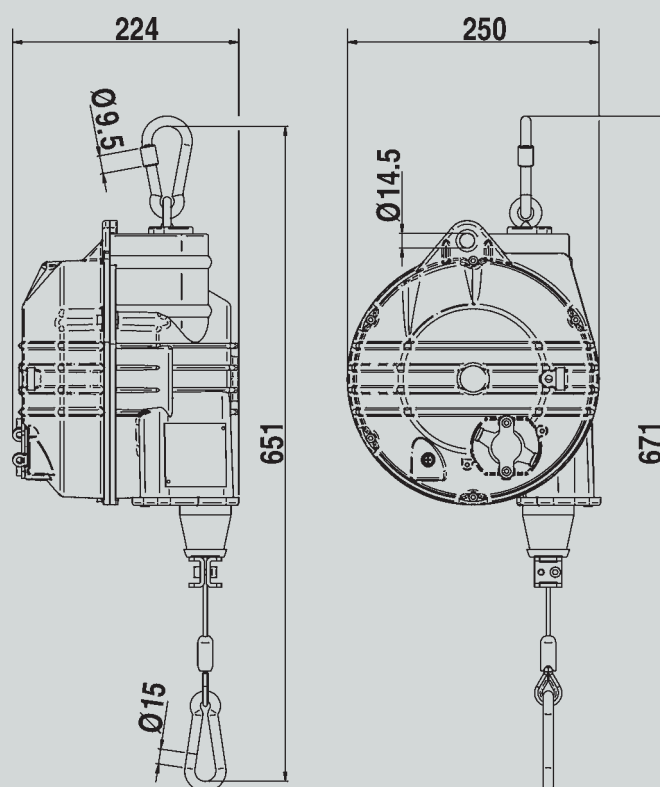


# BALANCERS TECHNICAL FEATURES

Art.	2000 mm	2100 mm	2700 mm
9354RL	4,0÷7,0 kg		
9355RL	7,0÷10 kg		
9356RL	10÷14 kg		
9357RL	14÷18 kg		
9358RL	18÷22 kg		
9359RL	22÷25 kg		
9502RL		20÷30 kg	
9503RL		30÷40 kg	
9504RL		40÷50 kg	
9505RL		50÷60 kg	
9506RL		60÷70 kg	
9507RL		70÷80 kg	
9508RL		80÷90 kg	
9509RL		90÷100 kg	
9520RL			12÷20 kg
9521RL			20÷30 kg
9522RL			30÷40 kg
9523RL			40÷50 kg
9524RL			50÷60 kg
9525RL			60÷70 kg



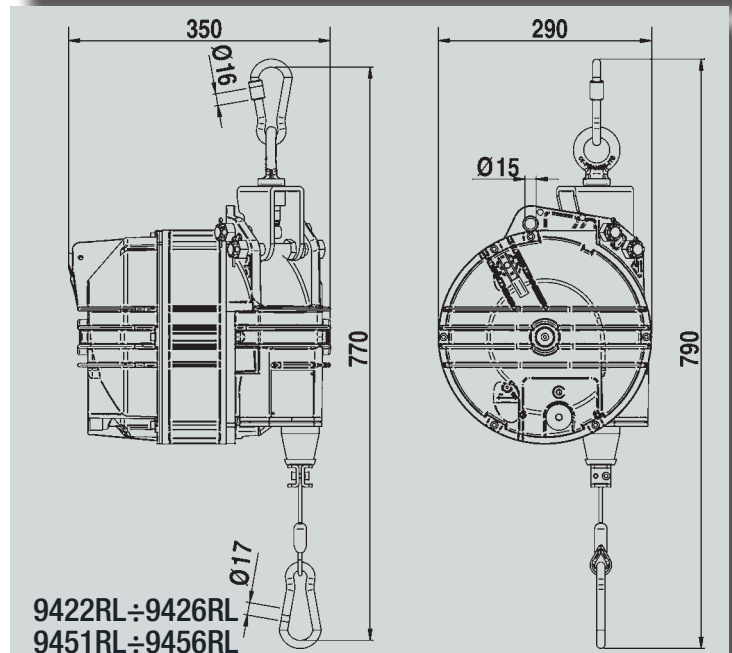
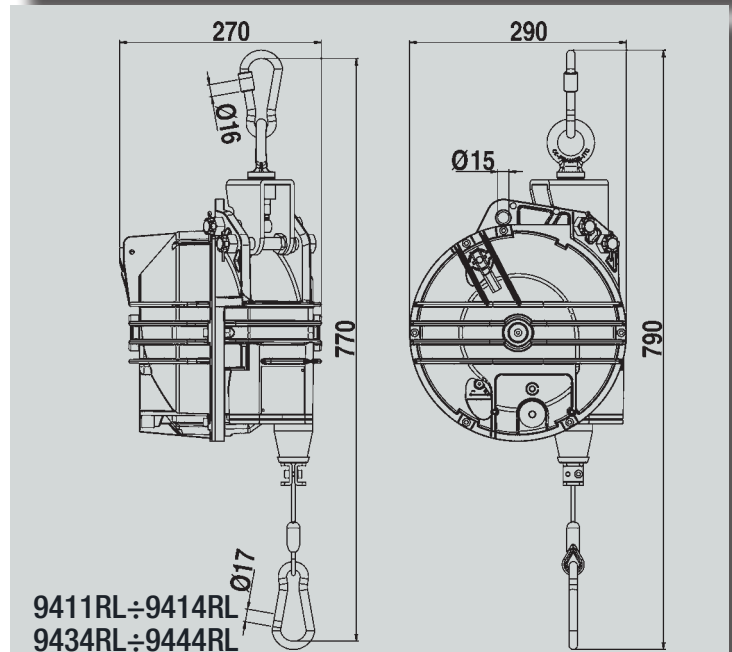
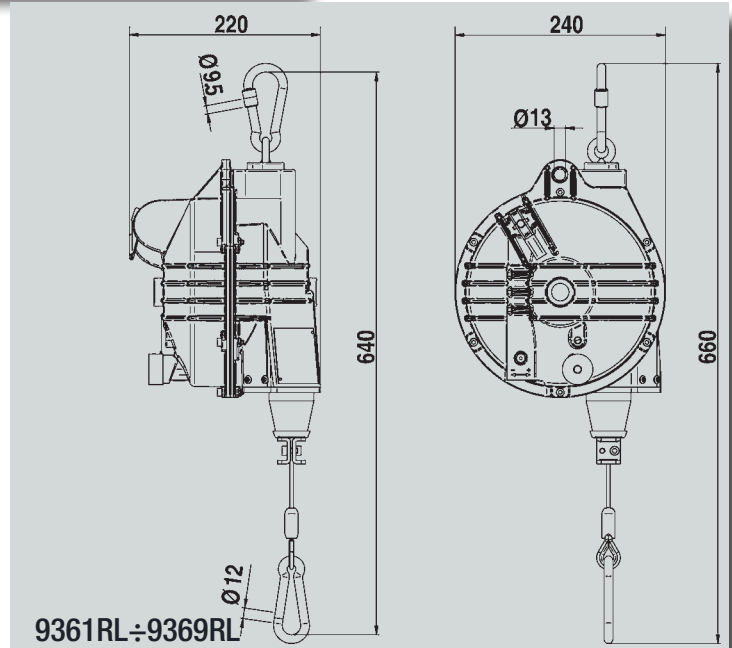
9354RL÷9359RL



9502RL÷9525RL

# BALANCERS TECHNICAL FEATURES

Art.	2000 mm	2500 mm	3000 mm
9361RL*	10÷15 kg		
9362RL*	15÷20 kg		
9363RL*	20÷25 kg		
9364RL*	25÷30 kg		
9365RL*	30÷35 kg		
9366RL*	35÷45 kg		
9367RL*	45÷55 kg		
9368RL*	55÷65 kg		
9369RL*	65÷75 kg		
9411RL*		60÷70 kg	
9412RL*		70÷80 kg	
9413RL*		80÷90 kg	
9414RL*		90÷100 kg	
9422RL*		100÷120 kg	
9423RL*		120÷140 kg	
9424RL*		130÷150 kg	
9425RL*		140÷160 kg	
9426RL*		160÷180 kg	
9434RL*			35÷45 kg
9435RL*			40÷50 kg
9436RL*			50÷60 kg
9441RL*			60÷70 kg
9442RL*			70÷80 kg
9443RL*			80÷90 kg
9444RL*			80÷100 kg
9451RL*			100÷115 kg
9452RL*			115÷130 kg
9453RL*			130÷140 kg
9454RL*			140÷150 kg
9455RL*			150÷160 kg
9456RL*			160÷180 kg



\* Centrifugal Safety Device

## YOU ARE IN GOOD HANDS



**TECNA BALANCERS** are manufactured in Italy, following the highest quality standards, built to last and to help you work with best performance and ergonomics. We make your life better. **TECNA BALANCERS** are essential in eliminating operator fatigue and injuries, increasing productivity by reducing cycle times and improving the quality of the production.

**TECNA BALANCERS** safeguard your tools, hoses and cables thus increasing their lifetime and your productivity.

TECNA is a leading worldwide manufacturer. Products, spare parts and assistance can be found easily anywhere and everywhere. Just contact us if you don't know a local dealer and we'll support you and guide you to the closest Tecna distributor.

Some numbers game:

Almost 6.000.000 **TECNA BALANCERS** manufactured. TECNA sells on average more than 160.000 BALANCERS per year, with more than 300 different models and possibility of further customisation. One of the most complete range of products available on the market, with load range up to 180kg (400lbs) and rope stroke up to 4,5m (14ft).

More than 2.000 hours of R&D per year are dedicated to product development for balancers. 4 registered patents. 3 new patents pending.

You are in good hands.

AND there's a lot more to TECNA than just a large structure and big numbers. There's competence, there's professionalism, there's thought, there's flexibility. There's PEOPLE. We're here to listen and to provide solutions wherever possible. We're fast, we're flexible. We can handle urgency and we can handle special requests.

**TECNA BALANCERS** are SAFEST.

All balancers are manufactured in conformity with the DIN 15112 Directive.

All TECNA PRODUCTS undergo thorough testing to ensure maximum safety and performance in time. Breaking load is guaranteed minimum 5 times the declared maximum load for all sensible parts.

Cables are bare, in order to ensure quick visual inspection. TECNA offers cable choice: Stainless steel, Dyneema® or Polypropylene.

Different materials on cables allow **TECNA BALANCERS** to be used in many different situations, for example where a steel cable might scratch delicate objects.

Innovation and improvement are constant and continuous.

**TECNA BALANCERS** behave excellently and prove their rugged sturdiness also in extreme working conditions, such as heavy duty applications, meat processing industry, outdoor conditions, as well as extremely repeating high-rate uses on assembly lines tool suspension, where long life means higher production.

TECNA was the first to develop a dedicated line with ATEX certification, suitable for use in areas with a potentially explosive atmosphere composed of flammable gases or combustible materials.

**TECNA BALANCERS** are good and tough and allow you to do a lot more than just suspend loads or tools. Just use them and you will see, the only limit is your creativity. And when you don't find an answer, just contact us and we'll listen. **TECNA BALANCERS** are just so good that you can forget about them... but don't forget to use them!

## WHY FOOD INDUSTRY LINE

TECNA balancers are increasingly used in new applications and environmental conditions, they are known worldwide for their strong build, durability, performance and ease of use. Every time you buy TECNA balancers, you buy the leading product, Made in Italy, with an added value: you buy quality, you buy research and innovation, service and assistance. You will never be alone again.

That's why we thought: what more can we do? What more can we give? Our FOOD INDUSTRY LINE is the answer.



### Stainless steel loop&hook with increased resistance to wear

What do you ask of a balancer?

Ergonomics, production efficiency, easy handling and lifting of tools and equipment. Less stress on your back and joints for a better quality of life and safety, at work as well at home.

Robustness in all conditions, in all environments. The ATEX product line was TECNA's first step towards safety in Explosive Atmospheres.

The extreme working conditions are always pushing for more performing products. Tecna has the mission to excel and the commitment to a constant improvement to follow and anticipate the needs.

The new FOOD INDUSTRY LINE brings the excellence of balancers in extreme working environments: a product that can work in the presence of steam, moisture and humidity, resistant to chemical aggression of cleaning and sanitizing products.



### Rust-proof and stainless steel inner parts Tough and suitable for heavy-duty

In detail

ZERO GRAVITY balancers with completely stainless parts, both outside and inside; food-grade grease NSF-H1 certified; aluminium housing with high-resistance Rilsan treatment against oxidation and chemical aggression of soaps and detergents, with low surface rugosity to improve cleaning and sanitizing efficiency against dirt and bacteria.

RETRACTOR balancers feature stainless steel on all external parts; food grade grease NSF-H1 certified; aluminium housing with hard anodization treatment, resistant to oxidation and chemical aggression.

All the safety solutions, in which you have placed your trust over the years, remain unchanged.

Applications range from the food and beverage industry to the dairy industry, from meat processing and slaughtering to the sausage industry, from sweets to bread, from seeds and nuts to fruits and vegetables, from washing and sanitizing to chemical or saline environments.

You need it, we solve it.



### Stainless steel hardware & food grade plastics Stainless steel cable and carabiner



**TECNA**<sup>®</sup>

Resistance Welding Systems & Balancers

Via Meucci, 27  
40024 - Castel San Pietro Terme (BO)  
Italy

Tel. +39 051 695 4411

Fax +39 051 654 4490

[vendite@tecna.net](mailto:vendite@tecna.net)

[sales@tecna.net](mailto:sales@tecna.net)

[contact@toolbalancersusa.com](mailto:contact@toolbalancersusa.com)  
(978) 560-3775  
[www.toolbalancersusa.com](http://www.toolbalancersusa.com)

[www.tecna.net](http://www.tecna.net)

