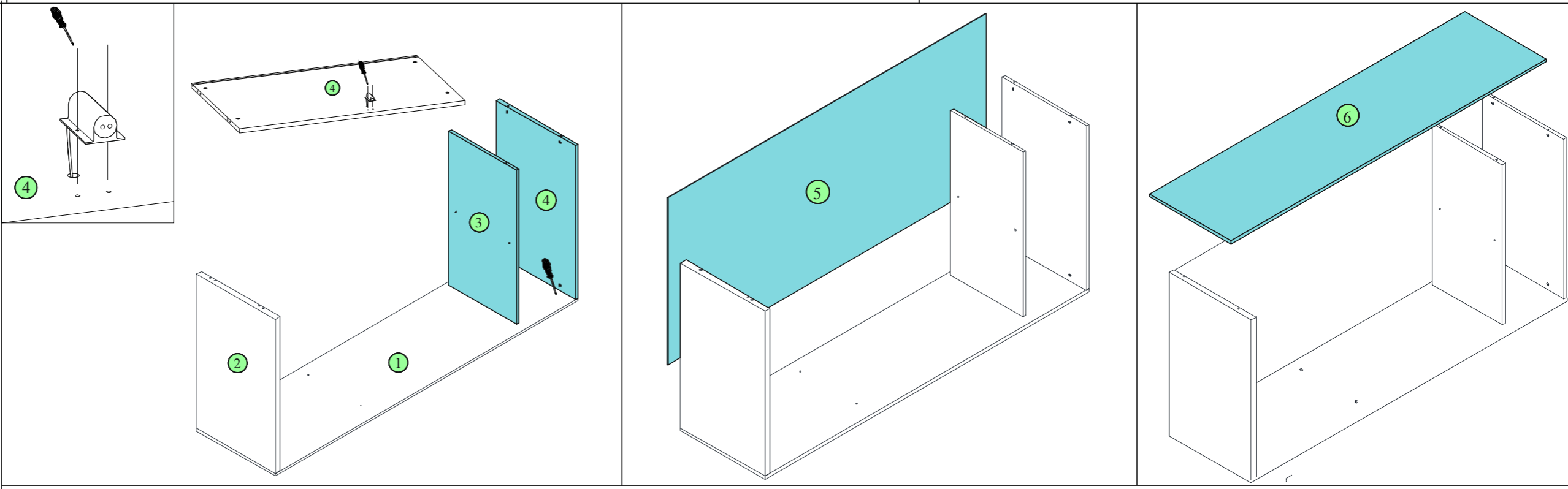


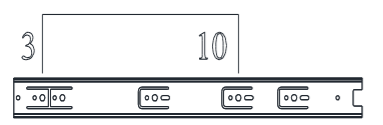
PUZZLE
2' DOUBLE CABINET (DRAWER)

ASSEMBLY ORDER

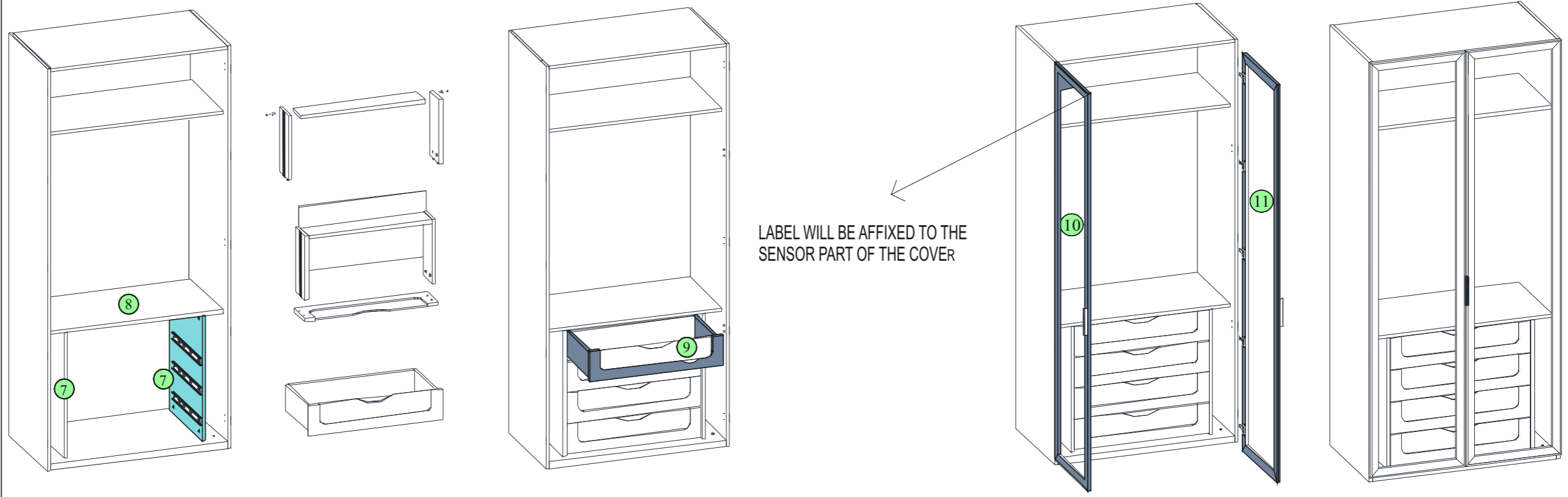
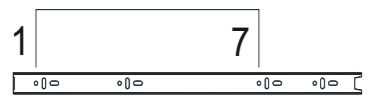
- 1 - RIGHT SIDE BOARD
- 2 - BOTTOM BOARD
- 3 - FIXED SHELF
- 4 - TOP BOARD
- 5 - BACK BOARD
- 6 - LEFT SIDE BOARD
- 7 - SHORT SIDE BOARD
- 8 - BOTTOM SHELF
- 9 - DRAWER
- 10 - LEFT DOOR
- 11 - RIGHT DOOR



LABEL WILL BE AFFIXED TO THE SENSOR PART OF THE COVER



SCREW IN THE HOLES INDICATED IN THE DRAWING



REQUIRED ASSEMBLY STAFF : 2

1	B	A	B	C	D	E	F	G	H	I	J	K	L	M	N	O	P	Q
		36 AD	36 AD	36 AD	20 AD	4 AD	12 AD	24 AD 3,5 x 25 mm	20 AD	6 AD	4 AD	10 AD 3,5 x 25 mm	1 AD	56 AD 3,5 x 18 mm	2 AD	16 AD	4 TK	1 AD

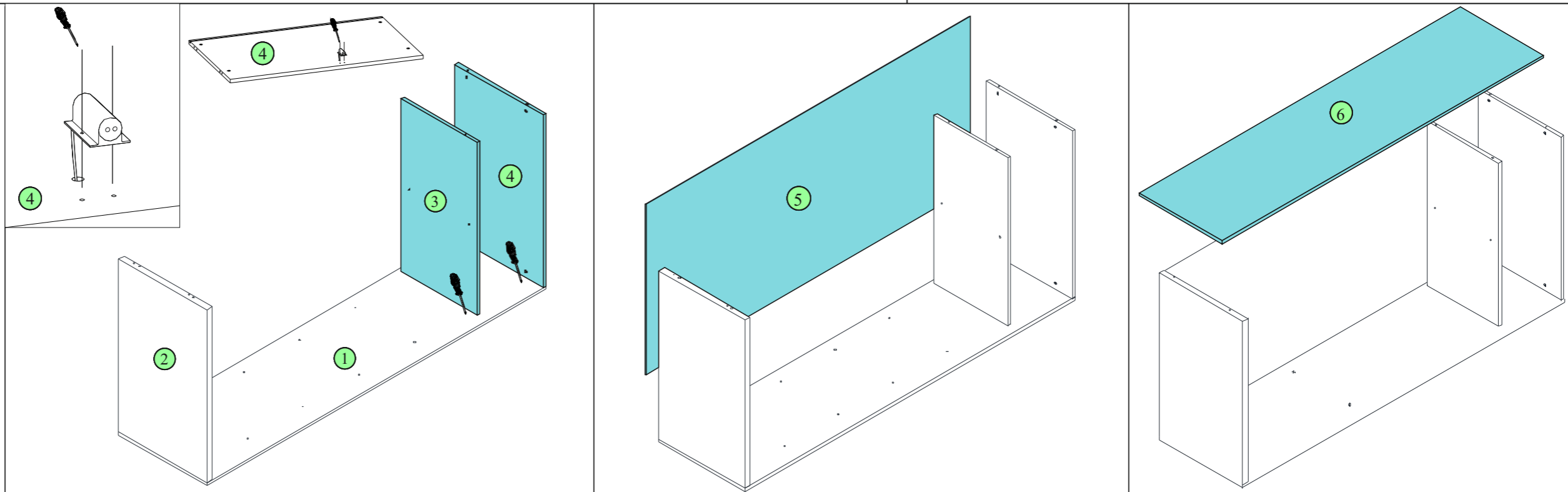
In case need a sparepart, please indicate "modelnumber" and "piecennumber" shown in the instructions



PUZZLE
DOUBLE CABINET (TROUSER)

ASSEMBLY ORDER

- 1 - RIGHT SIDE BOARD
- 2 - BOTTOM BOARD
- 3 - FIXED SHELF
- 4 - TOP BOARD
- 5 - BACK BOARD
- 6 - LEFT SIDE BOARD
- 7 - BOTTOM SHELF
- 8 - SHORT SIDE BOARD
- 9 - TROUSERS
- 10 - LEFT DOOR
- 11 - RIGHT DOOR



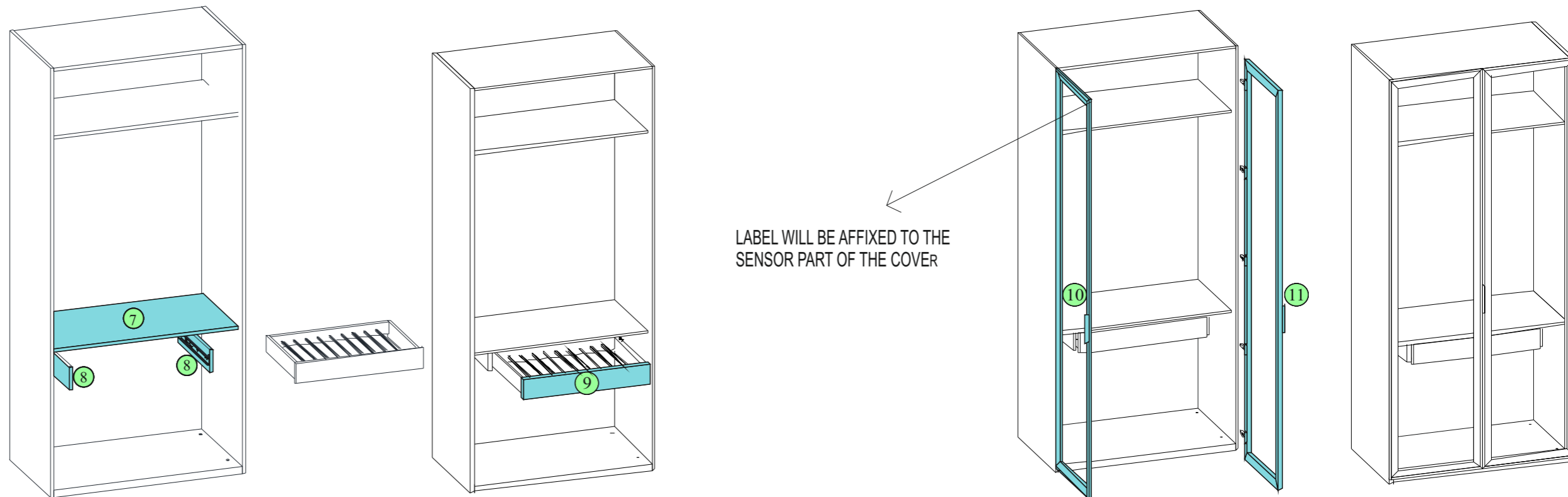
LABEL WILL BE AFFIXED TO THE SENSOR PART OF THE COVER



SCREW IN THE HOLES INDICATED IN THE DRAWING



LABEL WILL BE AFFIXED TO THE SENSOR PART OF THE COVER



REQUIRED ASSEMBLY STAFF : 2

1	B	A	B	C	D	E	F	G	H	I	J	K	L	M	N	P	Q
		16 AD	16 AD	16AD	16 AD	4 AD	12 AD	12 AD	20 AD	6 AD	4 AD	10 AD	1 AD	32 AD	2 AD	1 TK	1 AD

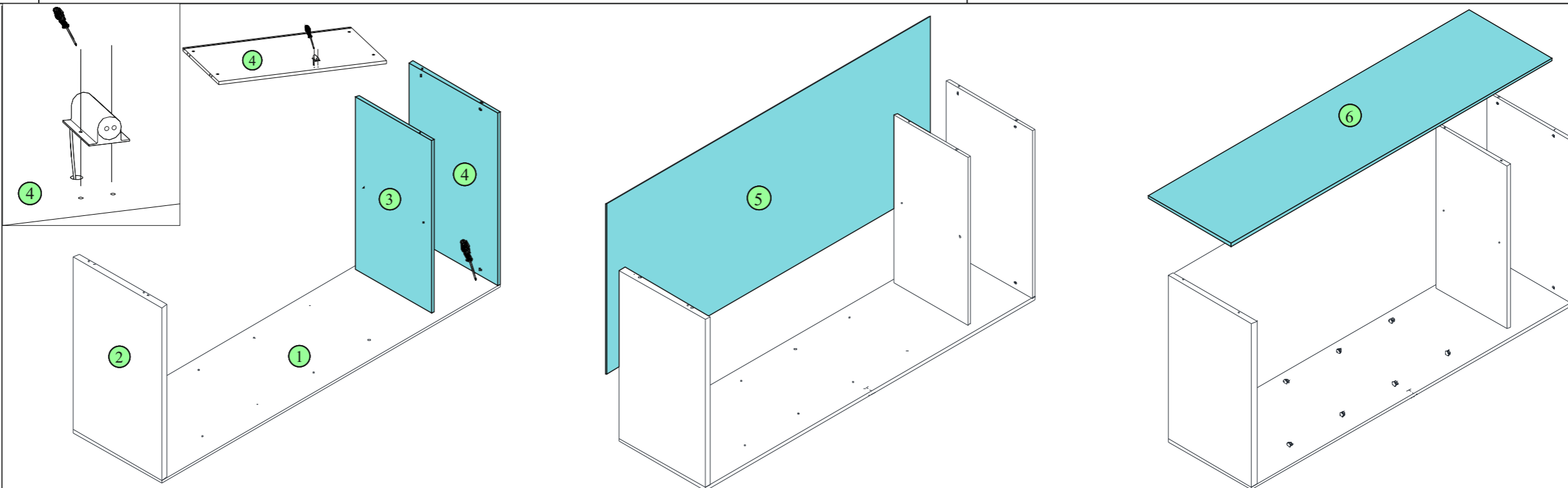


In case need a sparepart, please indicate "modelnumber" and "piecennumber" shown in the instructions

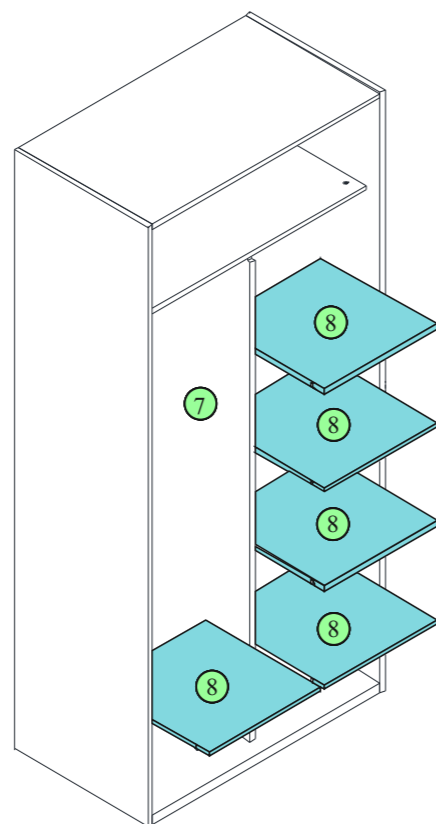
PUZZLE
DOUBLE CABINET (SELF)

ASSEMBLY ORDER

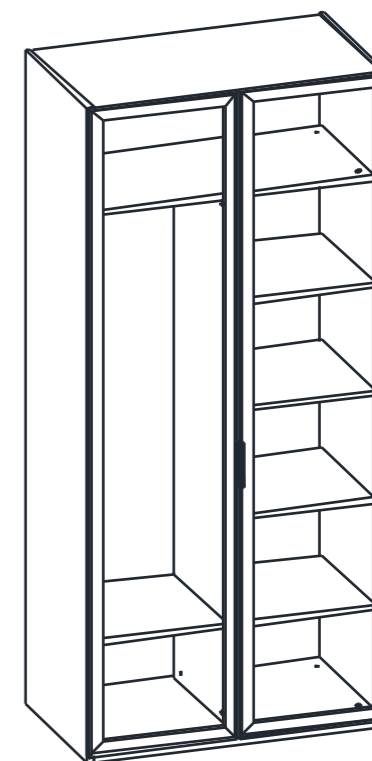
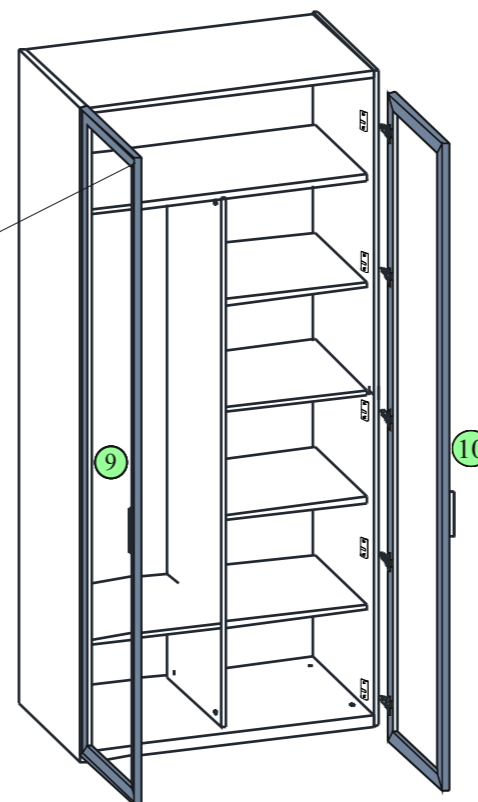
- 1 - RIGHT SIDE BOARD
- 2 - BOTTOM BOARD
- 3 - FIXED SHELF
- 4 - TOP BOARD
- 5 - BACK BOARD
- 6 - LEFT SIDE BOARD
- 7 - MIDDLE SIDE BOARD
- 8 - PORTABLE SHELF
- 9 - LEFT DOOR
- 10 - RIGHT DOOR



LABEL WILL BE AFFIXED TO THE SENSOR PART OF THE COVER



LABEL WILL BE AFFIXED TO THE SENSOR PART OF THE COVER



REQUIRED ASSEMBLY STAFF : 2

1 	B 	Fitting Parts		A 16 AD	B 16 AD	C 16 AD	D 16 AD	E 20 AD	F 12 AD	G 3,5 x 25 mm 12 AD	H 20 AD	I 6 AD	J 4 AD	K 3,5 x 25 mm 10 AD	L AD	M 3,5 x 18 mm 24 AD	N 2 AD	Q 1 AD
--------------	--------------	----------------------	--	-----------------------	-----------------------	-----------------------	-----------------------	-----------------------	-----------------------	--------------------------------------	-----------------------	----------------------	----------------------	--------------------------------------	--------------------	--------------------------------------	----------------------	----------------------

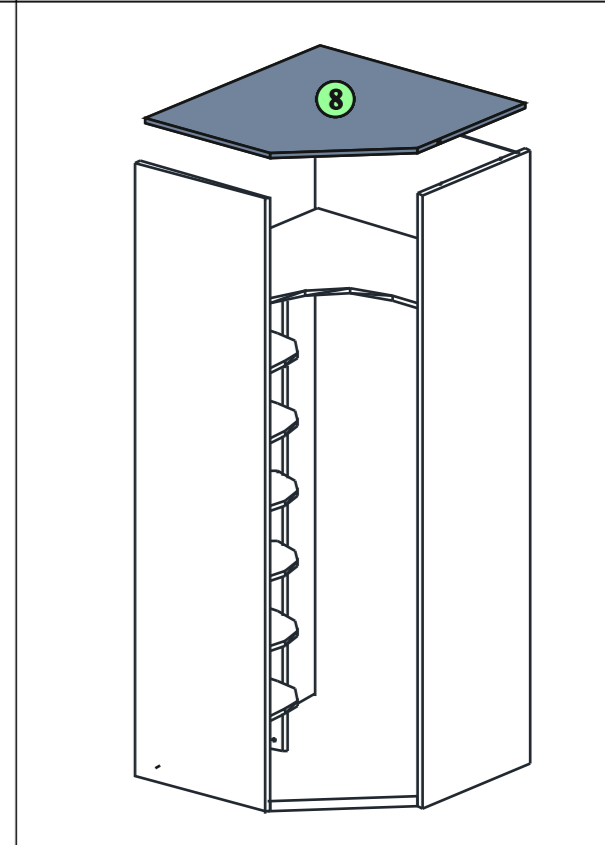
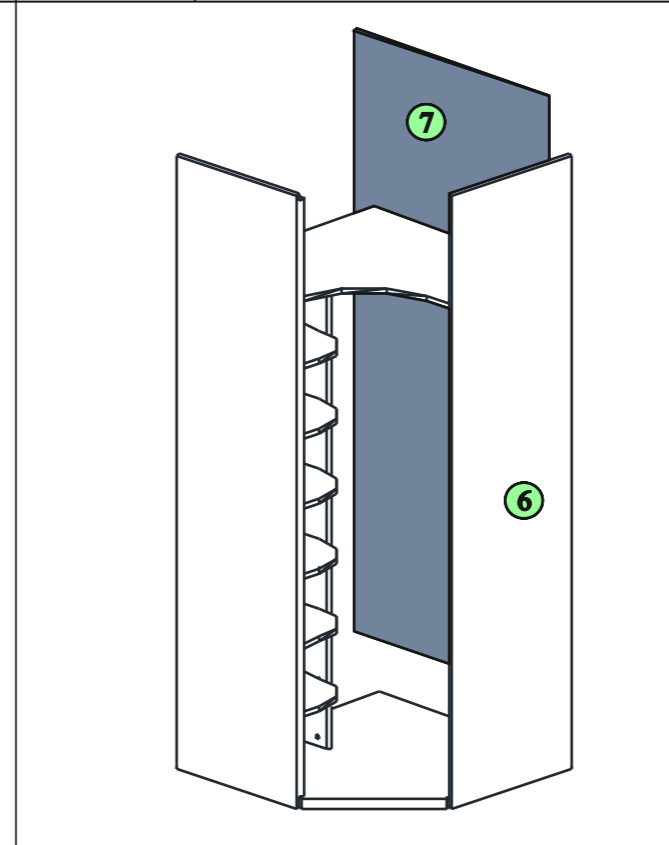
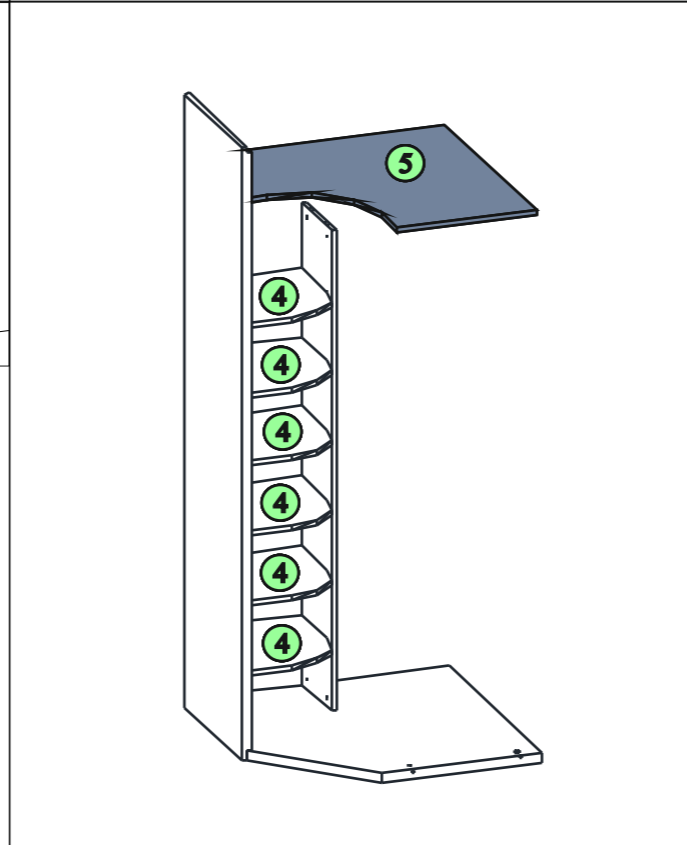
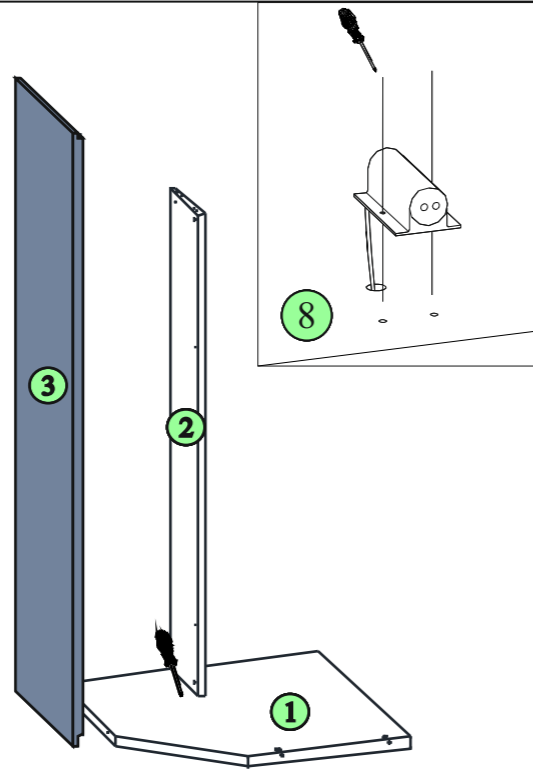
In case need a sparepart, please indicate "modelnumber" and "piecennumber" shown in the instructions



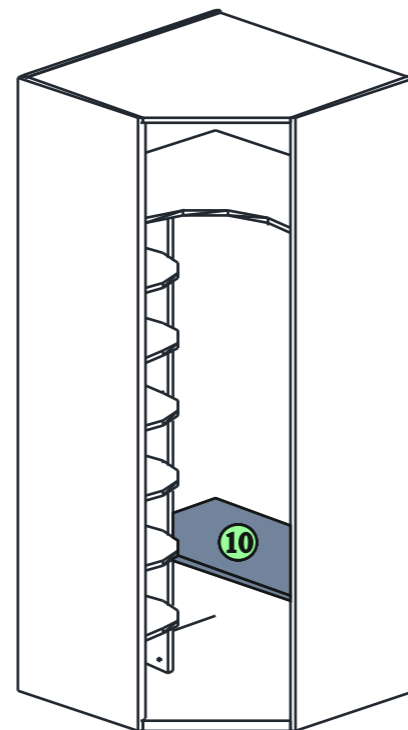
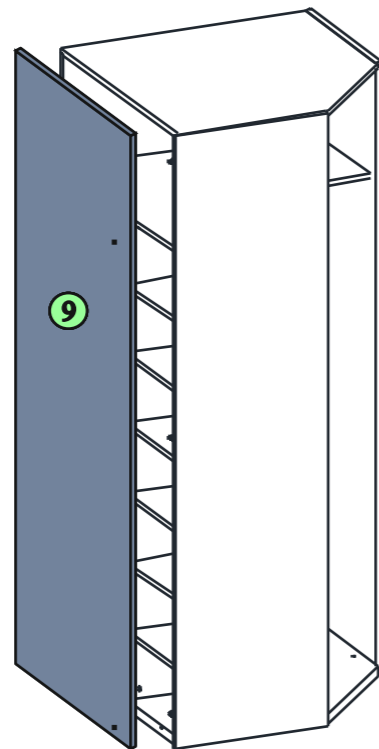
**PUZZLE
CORNER BLOCK**

ASSEMBLY ORDER

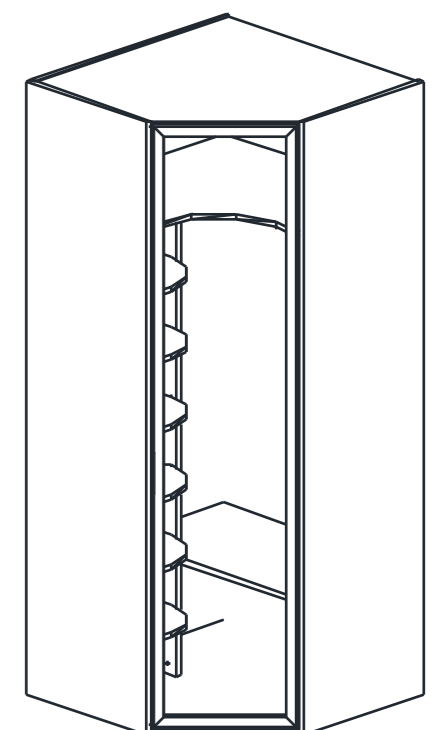
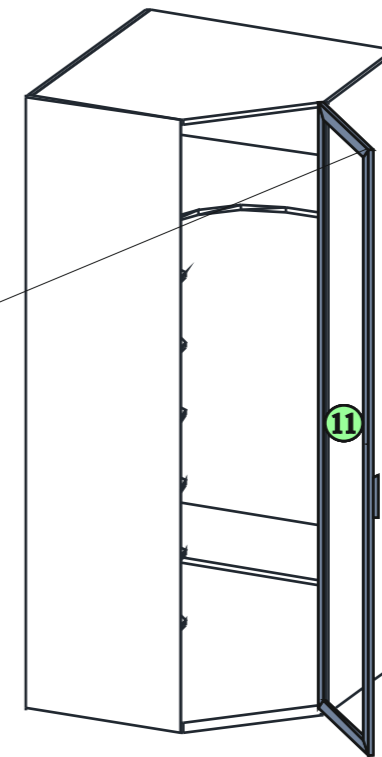
- 1 - BOTTOM BOARD
- 2 - MIDDLE BOARD
- 3 - LEFT SIDE BOARD
- 4 - SMALL SHELF
- 5 - TOP SHELF
- 6 - RIGHT SIDE BOARD
- 7 - BACK BOARD
- 8 - TOP BOARD
- 9 - BACK PANEL
- 10 - BOTTOM SHELF
- 11 - FEATURED DOOR



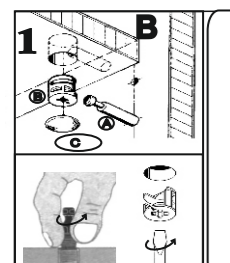
LABEL WILL BE AFFIXED TO THE SENSOR PART OF THE COVER



LABEL WILL BE AFFIXED TO THE SENSOR PART OF THE COVER



REQUIRED ASSEMBLY STAFF : 2



Fitting Parts

A 	B 	C 	D 	E 	F 	G 3,5 x 25 mm	H 	I 	J 	K 3,5 x 25 mm	L 	M 3,5 x 18 mm	N 	P 	Q
19 AD	19 AD	19 AD	16 AD	28 AD	12 AD	12 AD	10 AD	5 AD		10 AD	1 AD	14 AD	2 AD	6 AD	1 AD

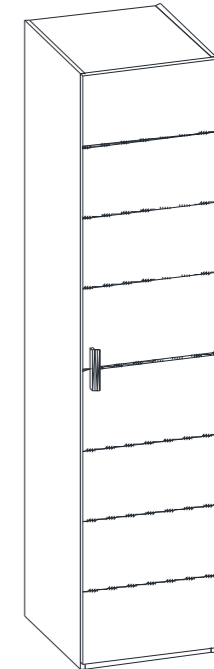
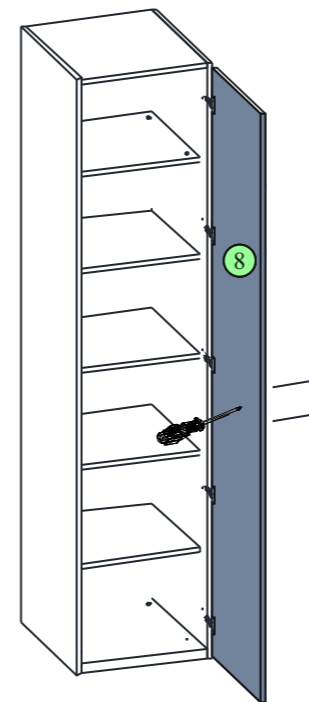
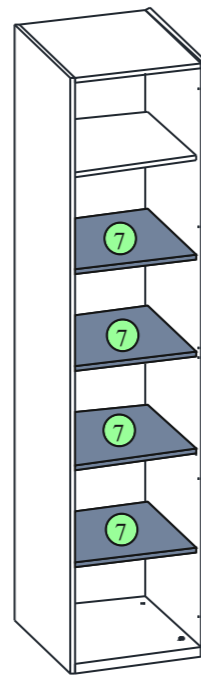
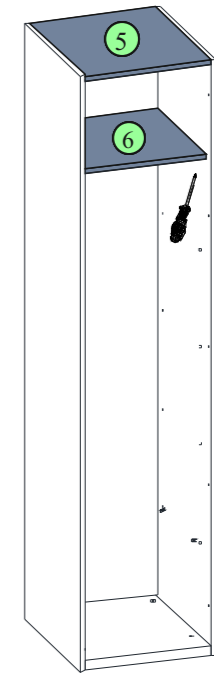
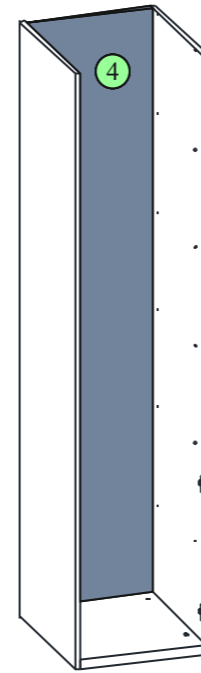
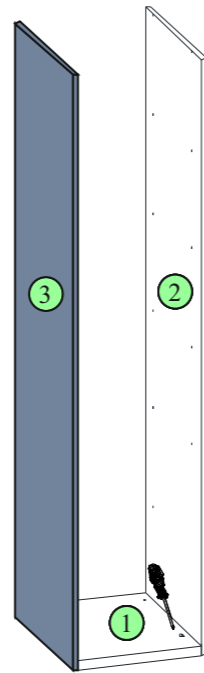
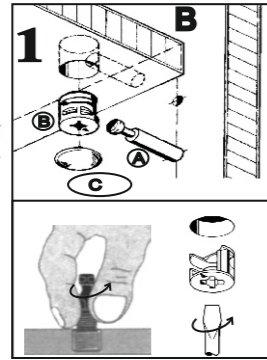


In case need a sparepart, please indicate "modelnumber" and "piecennumber" shown in the instructions

PUZZLE
SINGLE RIGHT BLOCK

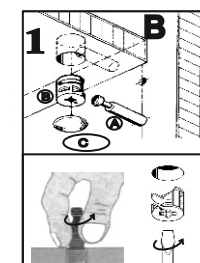
ASSEMBLY ORDER

- 1 - BOTTOM BOARD
- 2 - RIGHT SIDE BOARD
- 3 - LEFT SIDE BOARD
- 4 - BACK BOARD
- 5 - TOP BOARD
- 6 - FIXED SHELF
- 7 - PORTABLE SHELF
- 8 - FEATURED DOOR



REQUIRED ASSEMBLY STAFF : 2

3,5 x 18



Fitting Parts

A	B	C	D	E	F	G	H	I	J	K	L	M
12 AD	12 AD	12 AD	12 AD	16 AD	12 AD	3,5 x 25 mm ARKALIK VIDA	KULP	DÜZ MENTEŞE FRENSİZ	DÜZ MENTEŞE FRENLİ	3,5 x 25 mm SUNTA VIDA	4 x 22 mm KULP VIDA	3,5 x 18 mm SUNTA VIDA
					KÖŞE	12 AD	1 AD	3 AD	2 AD	5 AD	2 AD	20 AD

In case need a sparepart, please indicate "modelnumber" and "piecennumber" shown in the instructions

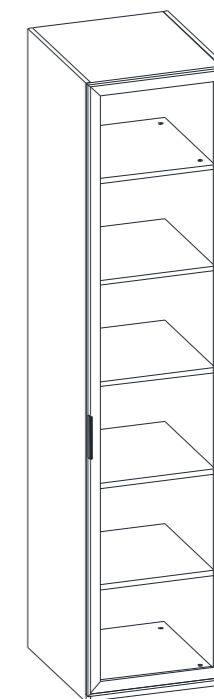
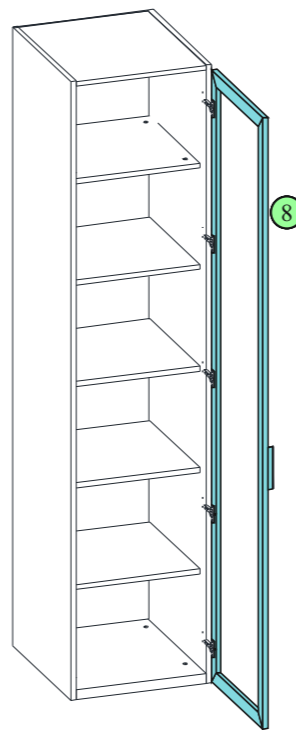
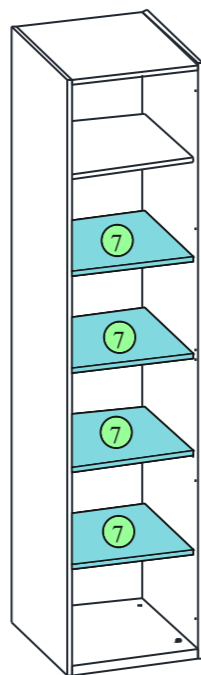
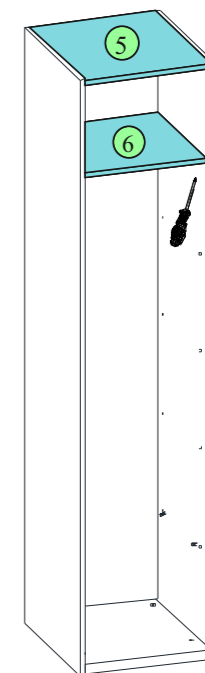
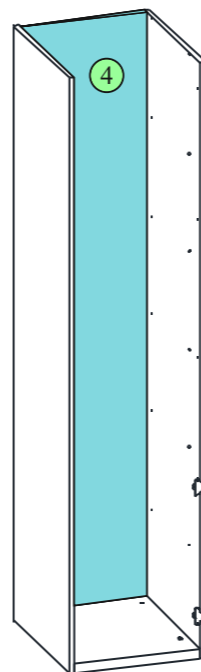
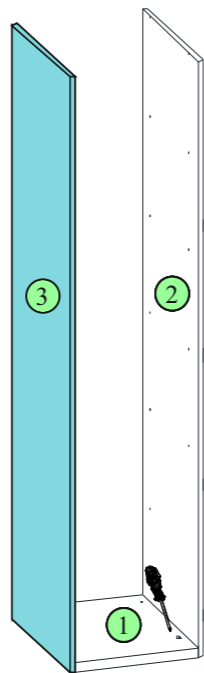
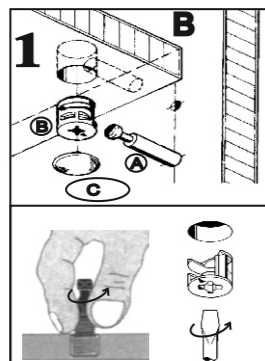


PUZZLE

SINGLE RIGHT BLOCK (GLASS COVER)

ASSEMBLY ORDER

- 1 - BOTTOM BOARD
- 2 - RIGHT SIDE BOARD
- 3 - LEFT SIDE BOARD
- 4 - BACK BOARD
- 5 - TOP BOARD
- 6 - FIXED SHELF
- 7 - PORTABLE SHELF
- 8 - GLASS COVER



REQUIRED ASSEMBLY STAFF : 2

Quantity	Fitting Number	A	B	C	D	E	F	G	H	I	J	K	L	M
		12 PC	12 PC	12 PC	12 PC	16 PC	12 PC	12 PC	1 PC	3 PC	2 PC	5 PC	2 PC	20 PC
												3,5 x 25 mm	4 x 22 mm	3,5 x 18 mm
Fitting Parts														
Code														

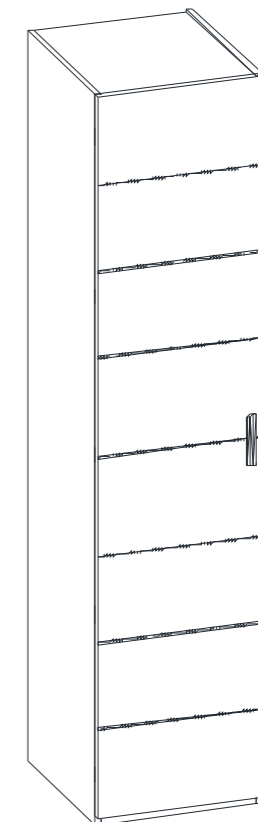
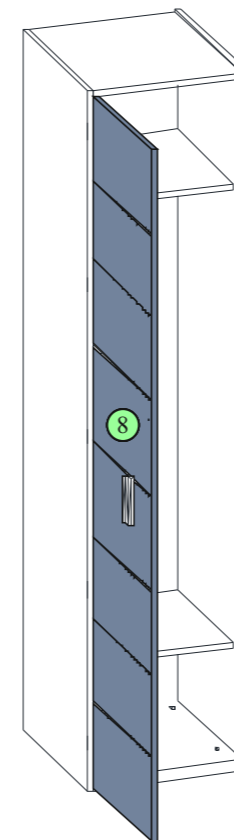
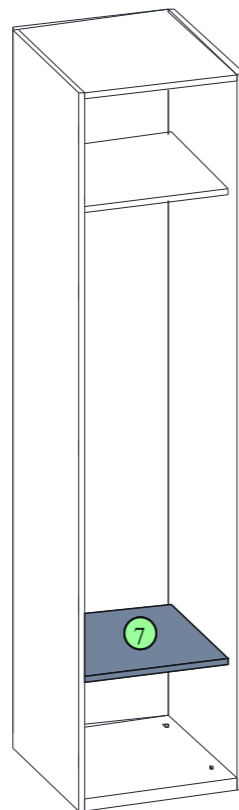
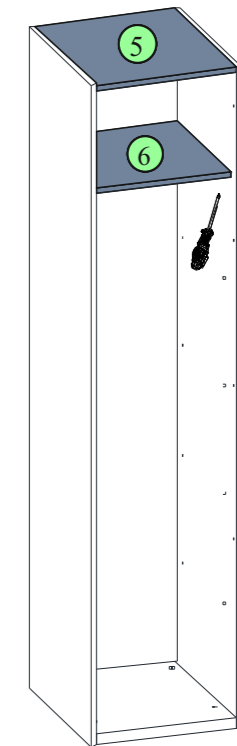
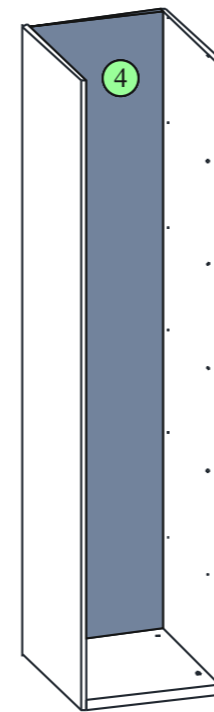
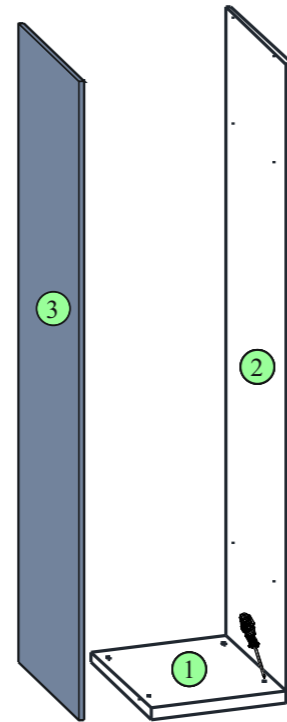
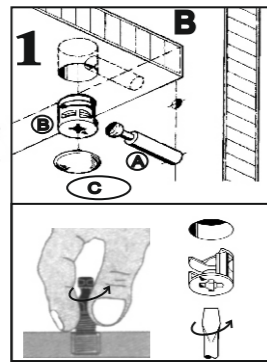
In case need a sparepart, please indicate "modelnumber" and "piecennumber" shown in the instructions



PUZZLE
SINGLE LEFT BLOCK

ASSEMBLY ORDER

- 1 - BOTTOM BOARD
- 2 - RIGHT SIDE BOARD
- 3 - LEFT SIDE BOARD
- 4 - BACK BOARD
- 5 - TOP BOARD
- 6 - FIXED SHELF
- 7 - PORTABLE SHELF
- 8 - FEATURED DOOR



REQUIRED ASSEMBLY STAFF : 2

1		B		A		B		C		D		E		F		G		H		I		J		K		L		M		N	
				12 AD		12 AD		12 AD		12 AD		4 AD		12 AD		12 AD		1 AD		3 AD		2 AD		5 AD		2 AD		24 AD		2 AD	
														KÖŞE		3,5 x 25 mm ARKALIK VIDA		KULP		DÜZ MENTEŞE FRENİZ		DÜZ MENTEŞE FRENLİ		3,5 x 25 mm SUNTA VIDA		4 x 22 mm KULP VIDA		3,5 x 18 mm SUNTA VIDA			

In case need a sparepart, please indicate "modelnumber" and "piecennumber" shown in the instructions



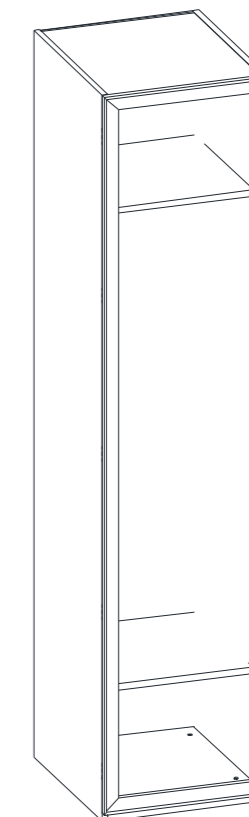
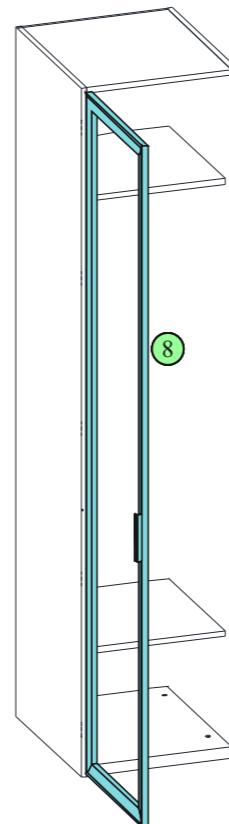
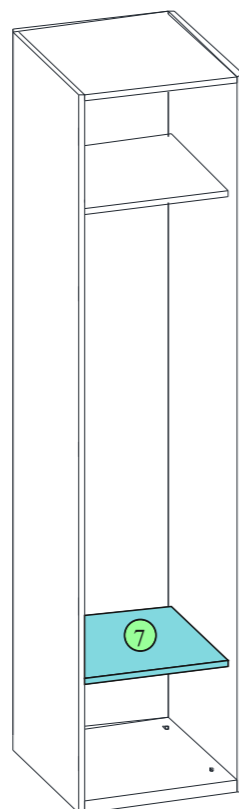
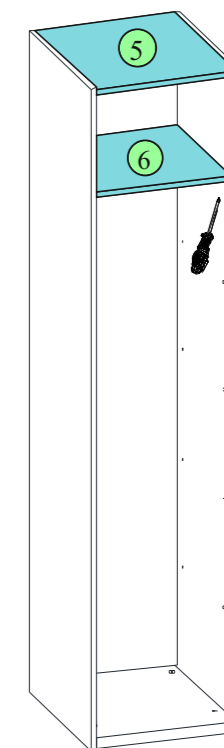
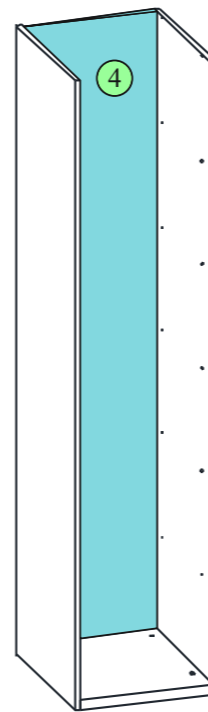
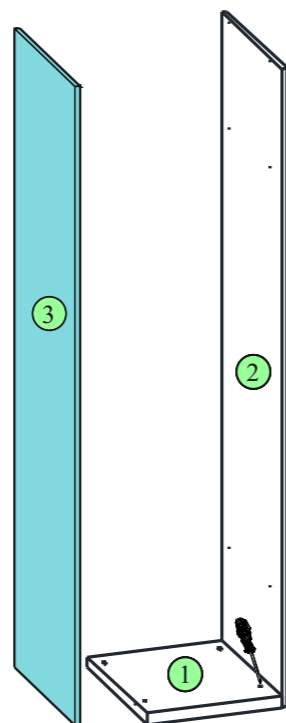
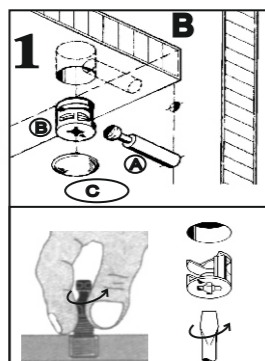
PUZZLE

SINGLE LEFT BLOCK (GLASS COVER)

Assembly Instructions

ASSEMBLY ORDER

- 1 - BOTTOM BOARD
- 2 - RIGHT SIDE BOARD
- 3 - LEFT SIDE BOARD
- 4 - BACK BOARD
- 5 - TOP BOARD
- 6 - FIXED SHELF
- 7 - PORTABLE SHELF
- 8 - CLASS COVER



REQUIRED ASSEMBLY STAFF : 2

Quantity	Fitting Number	A	B	C	D	E	F	G	H	I	J	K	L	M	N	O
								3,5 x 25 mm				3,5 x 25 mm	4 x 22 mm	3,5 x 18 mm		
		12 PC	12 PC	12 PC	12 PC	4 PC	12 PC	12 PC	1 PC	3 PC	2 PC	5 PC	2 PC	14 PC	2 PC	10 PC

In case need a sparepart, please indicate "modelnumber" and "piecennumber" shown in the instructions

