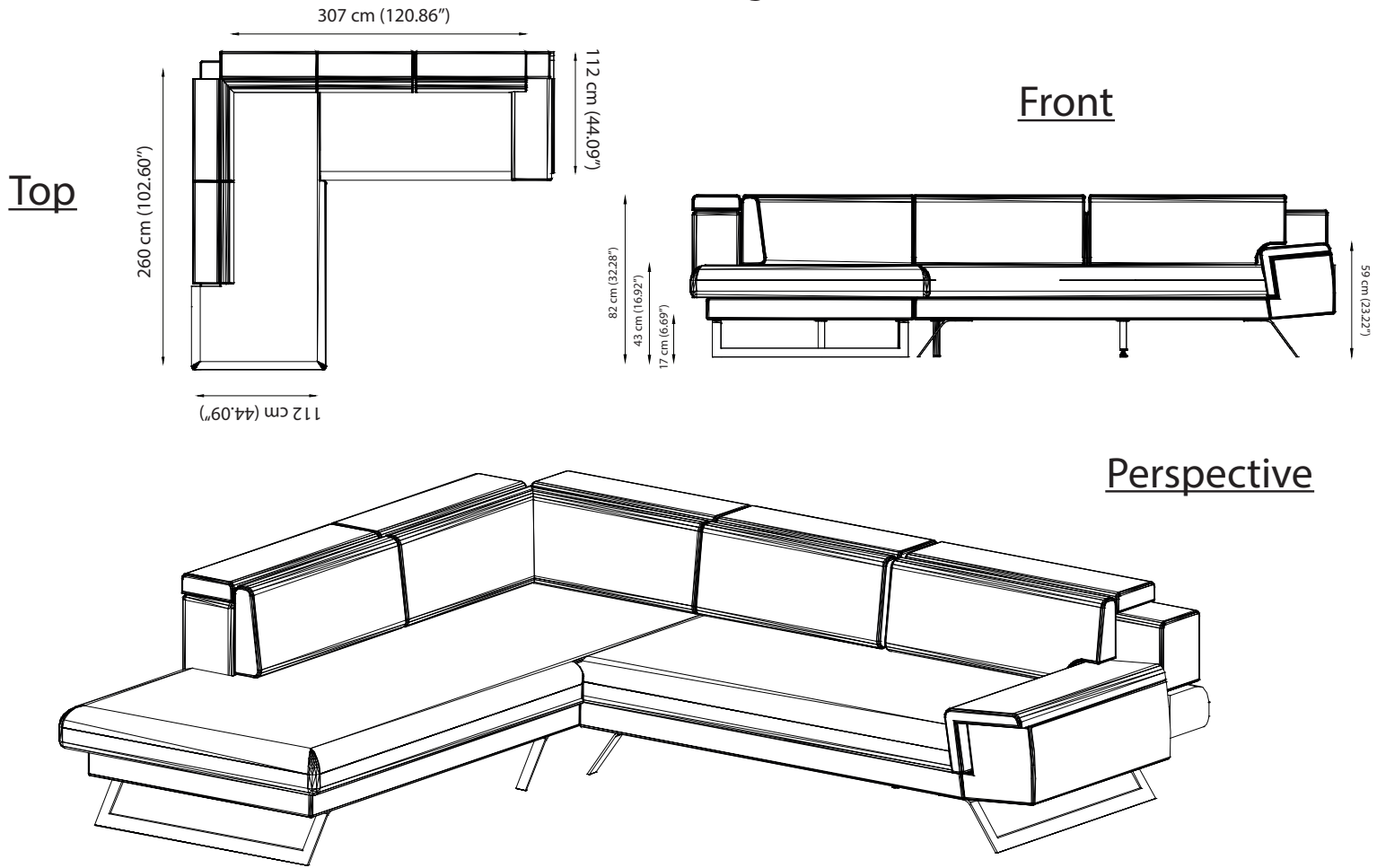


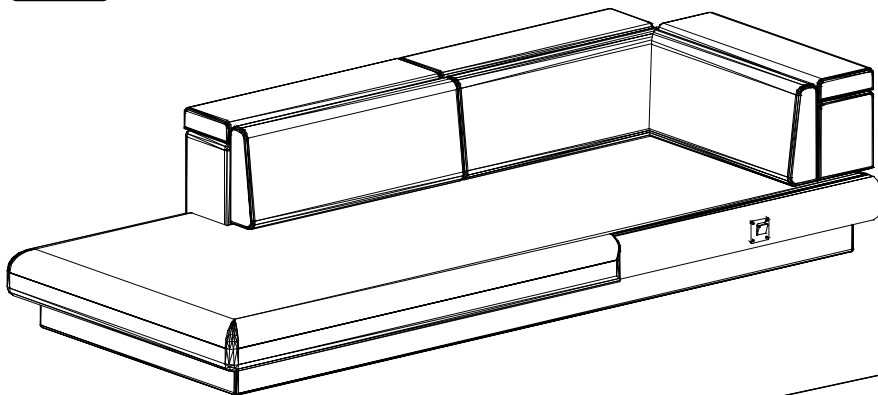
# Lisa Corner

## installation diagram

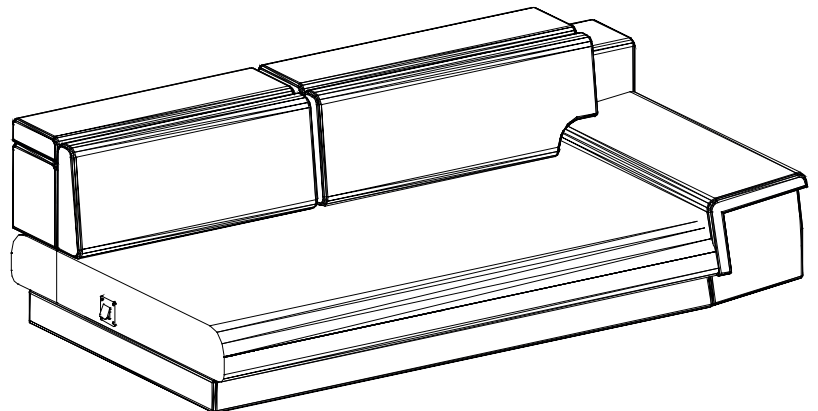


## opening the box

Box 1

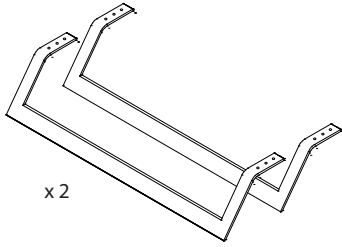


Box 2



# opening the box

Box 3-4



Box 5

x 2



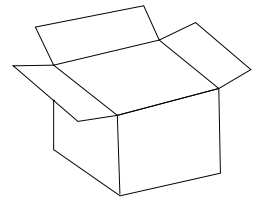
x 3



x 2

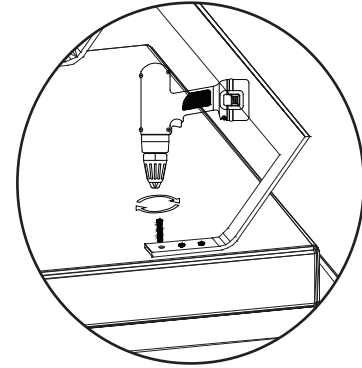
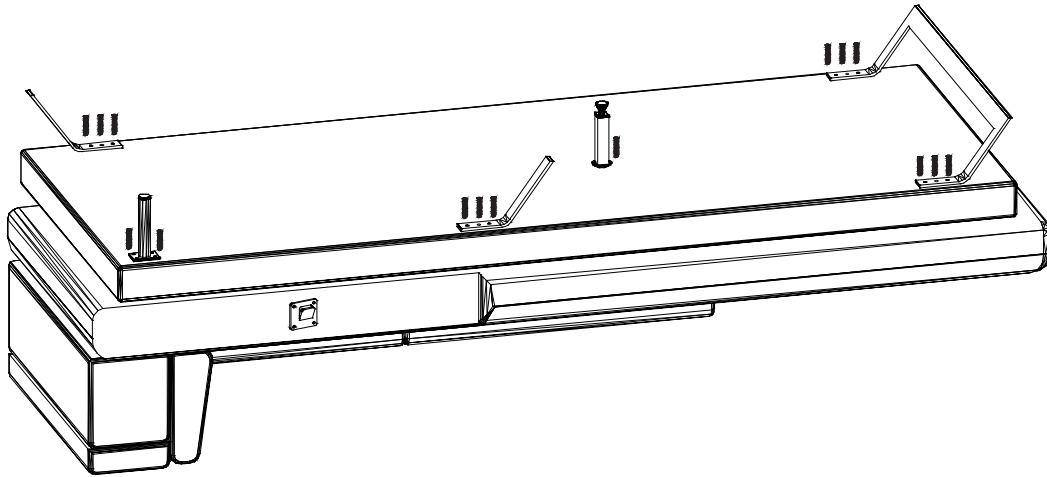


x 31

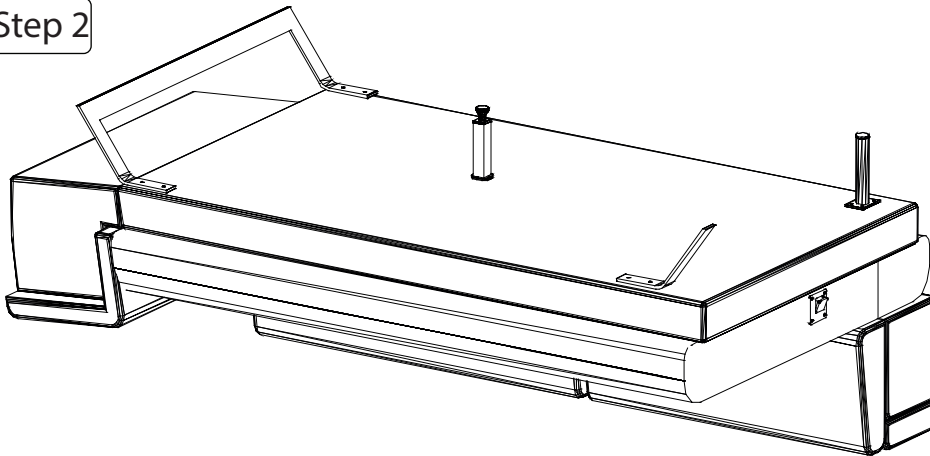


# installation of the foot

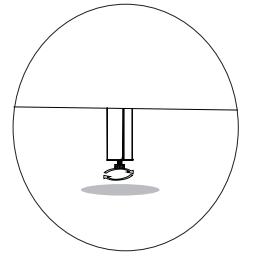
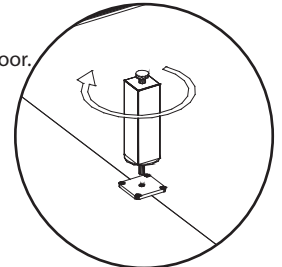
Step 1



Step 2



**!!Attention!!**  
Make sure that the  
adjusting screw in the  
middle leg touches the floor.



Step 3

