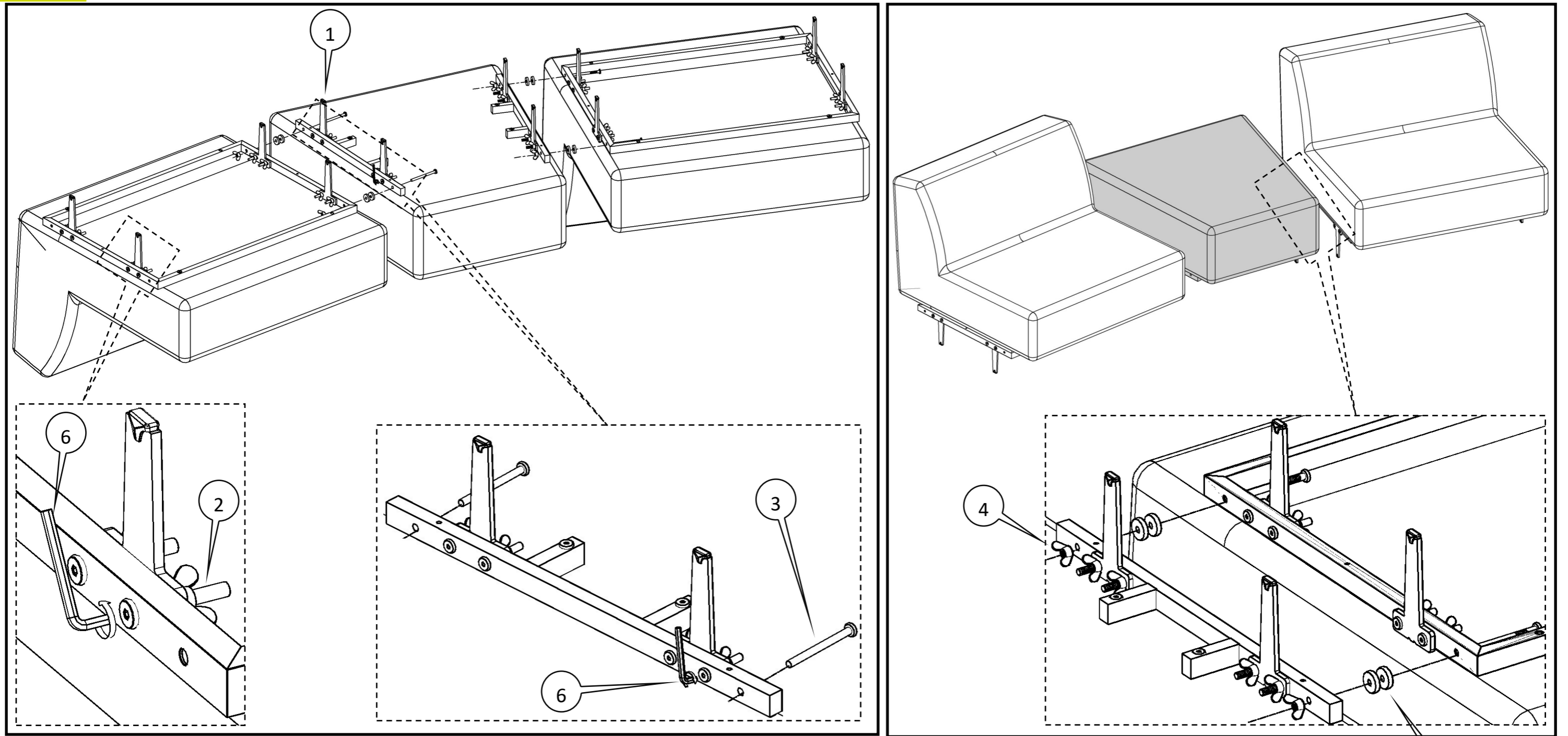
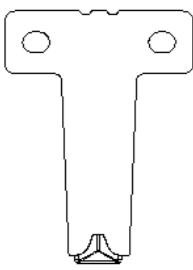
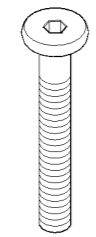

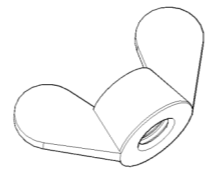
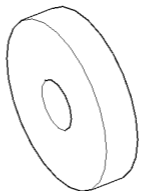
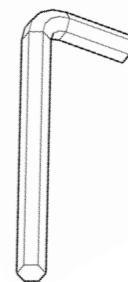
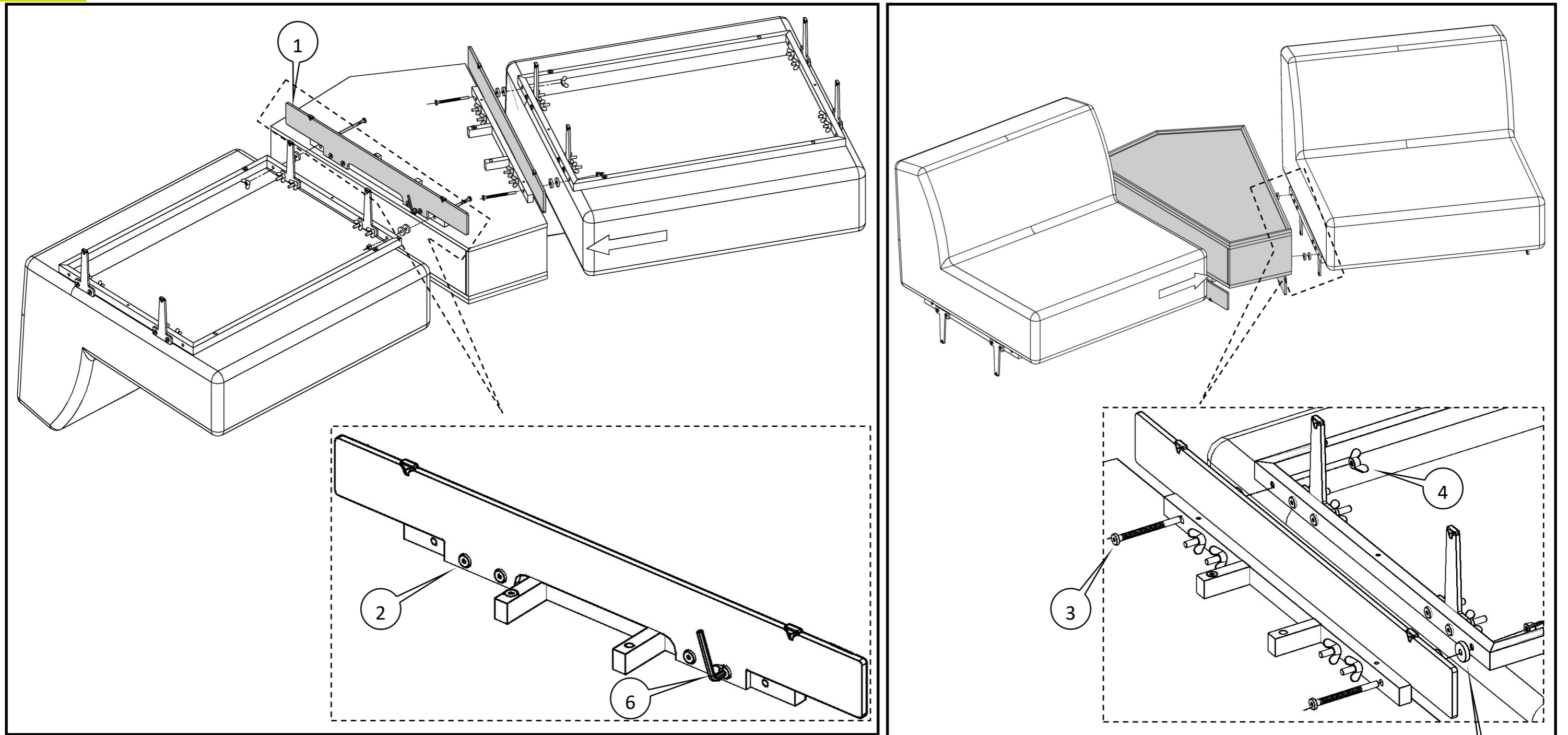


HERITAGE INTER ANGLED PUFF



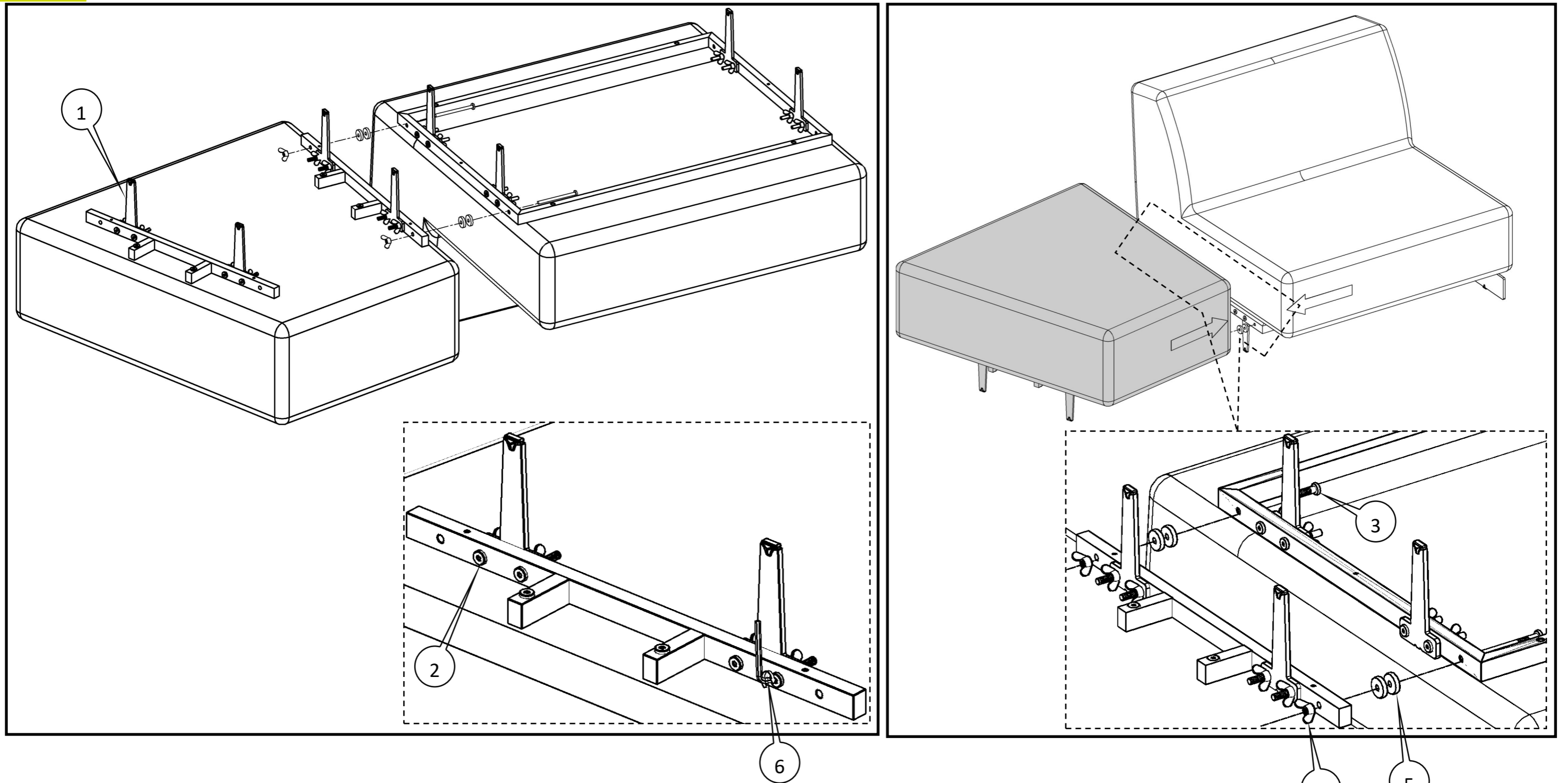
<p>1 x4</p> 	<p>2 x8</p>  <p>M8X50</p>	<p>3 x4</p>  <p>M8X110</p>	<p>4 x12</p>  <p>M8</p>	<p>5 x8</p> 	<p>6 x1</p> 
---	--	---	--	---	---

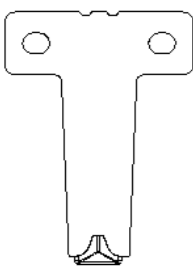
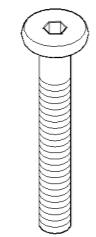

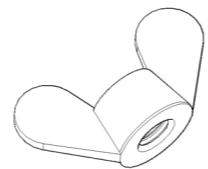
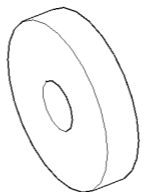
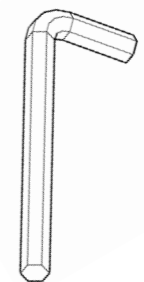
HERITAGE INTER ANGLED COFFE TABLE

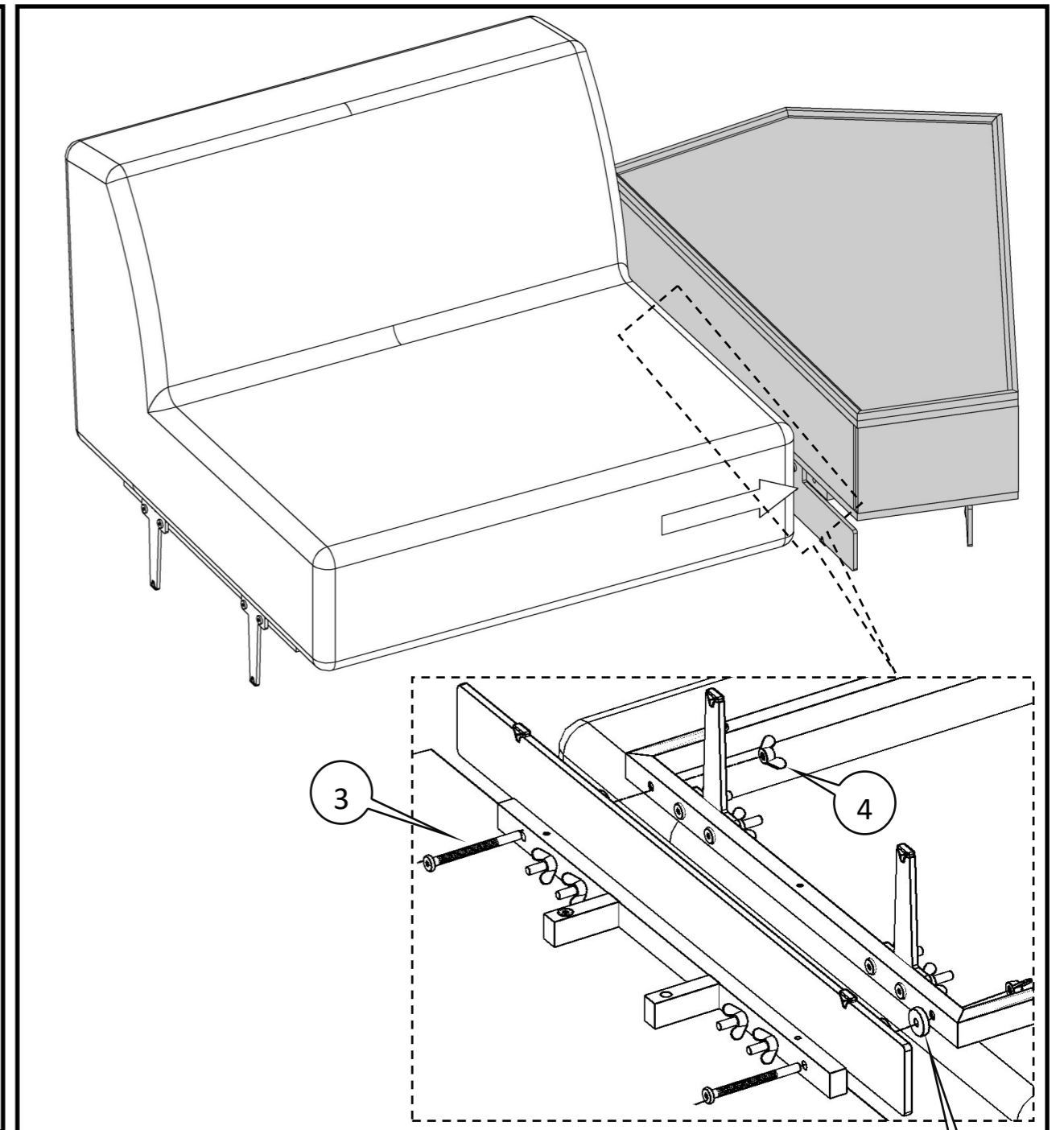
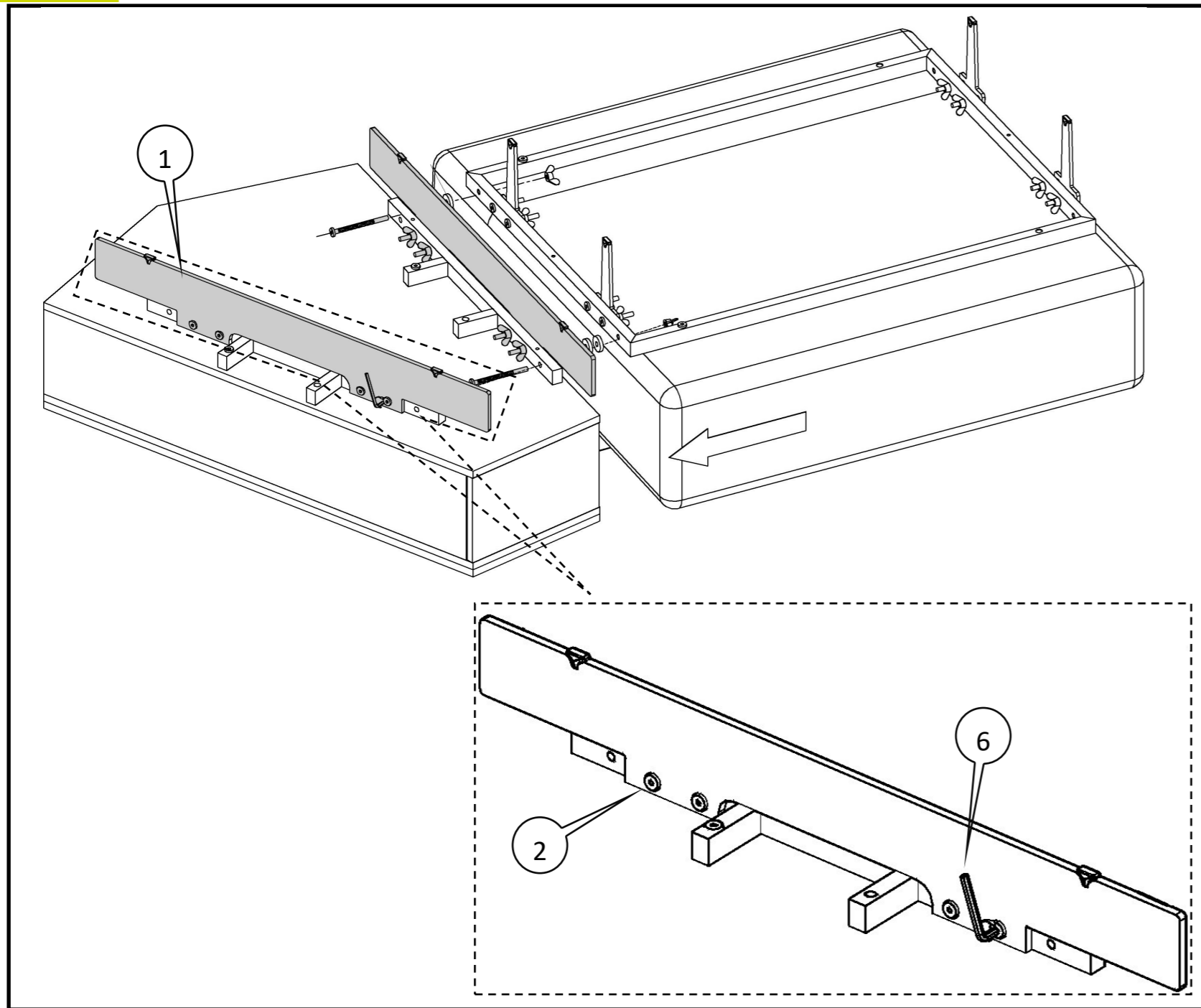


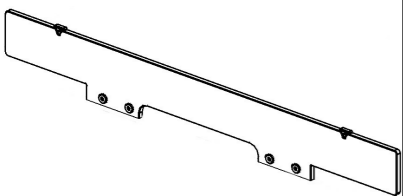
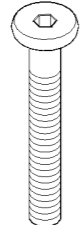

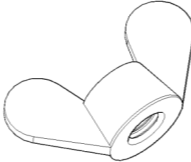

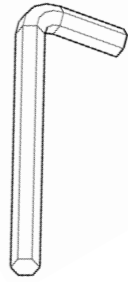
<p>1 x2</p>	<p>2 x8</p> <p>M8X50</p>	<p>3 x4</p> <p>M8X110</p>	<p>4 x12</p> <p>M8</p>	<p>5 x8</p>	<p>6 x1</p>
-------------	--------------------------	---------------------------	------------------------	-------------	-------------

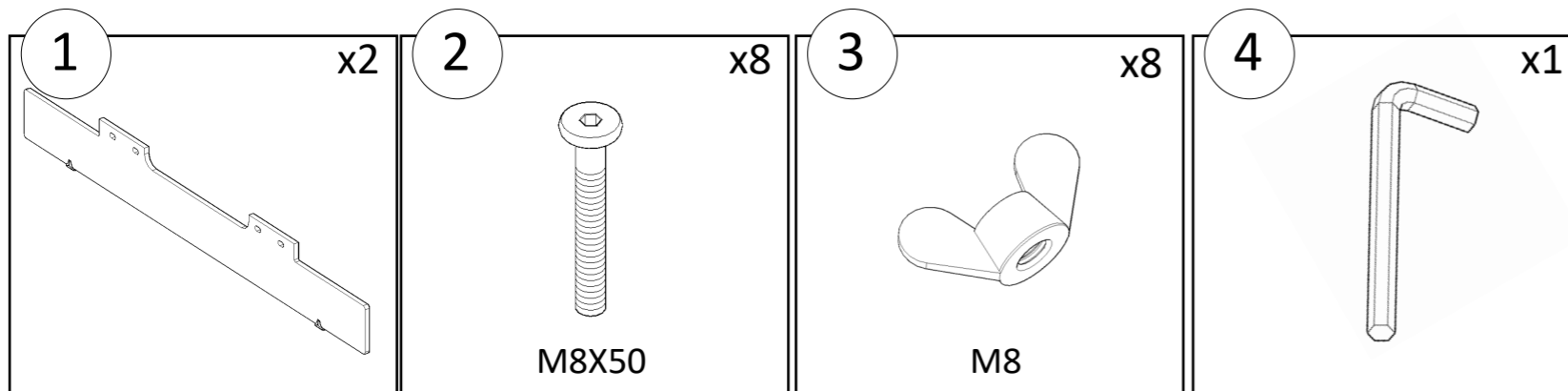
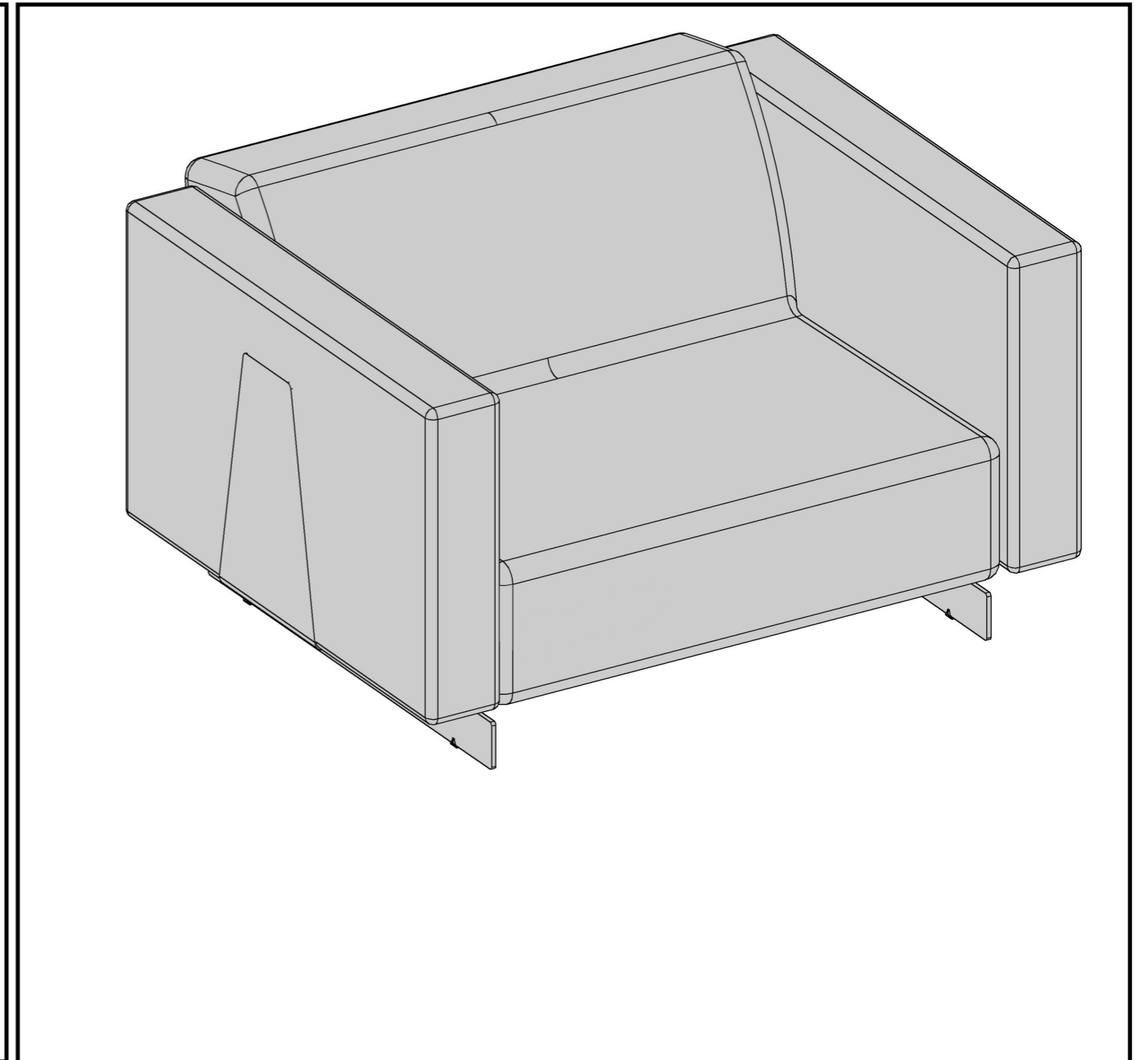
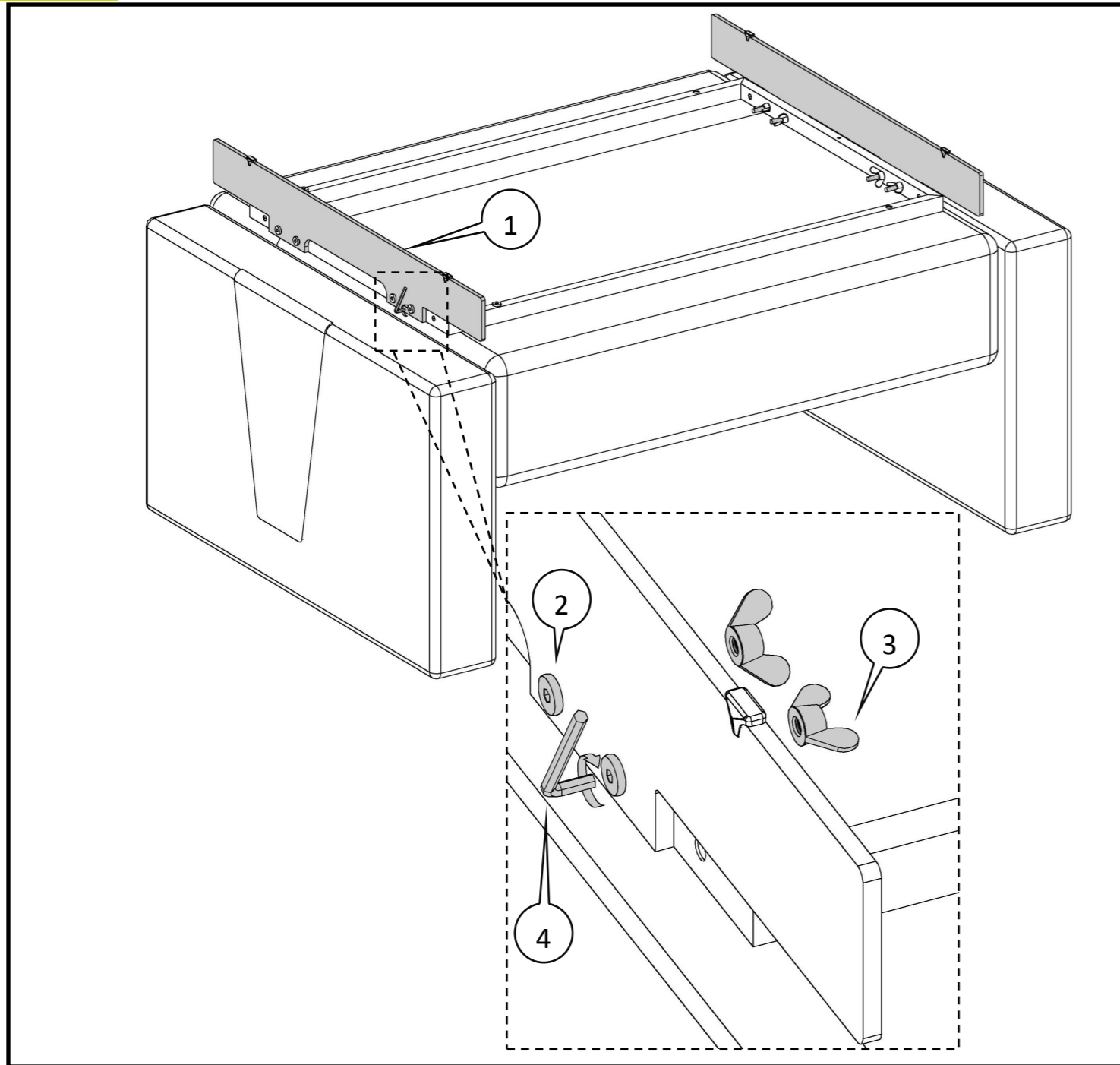
5

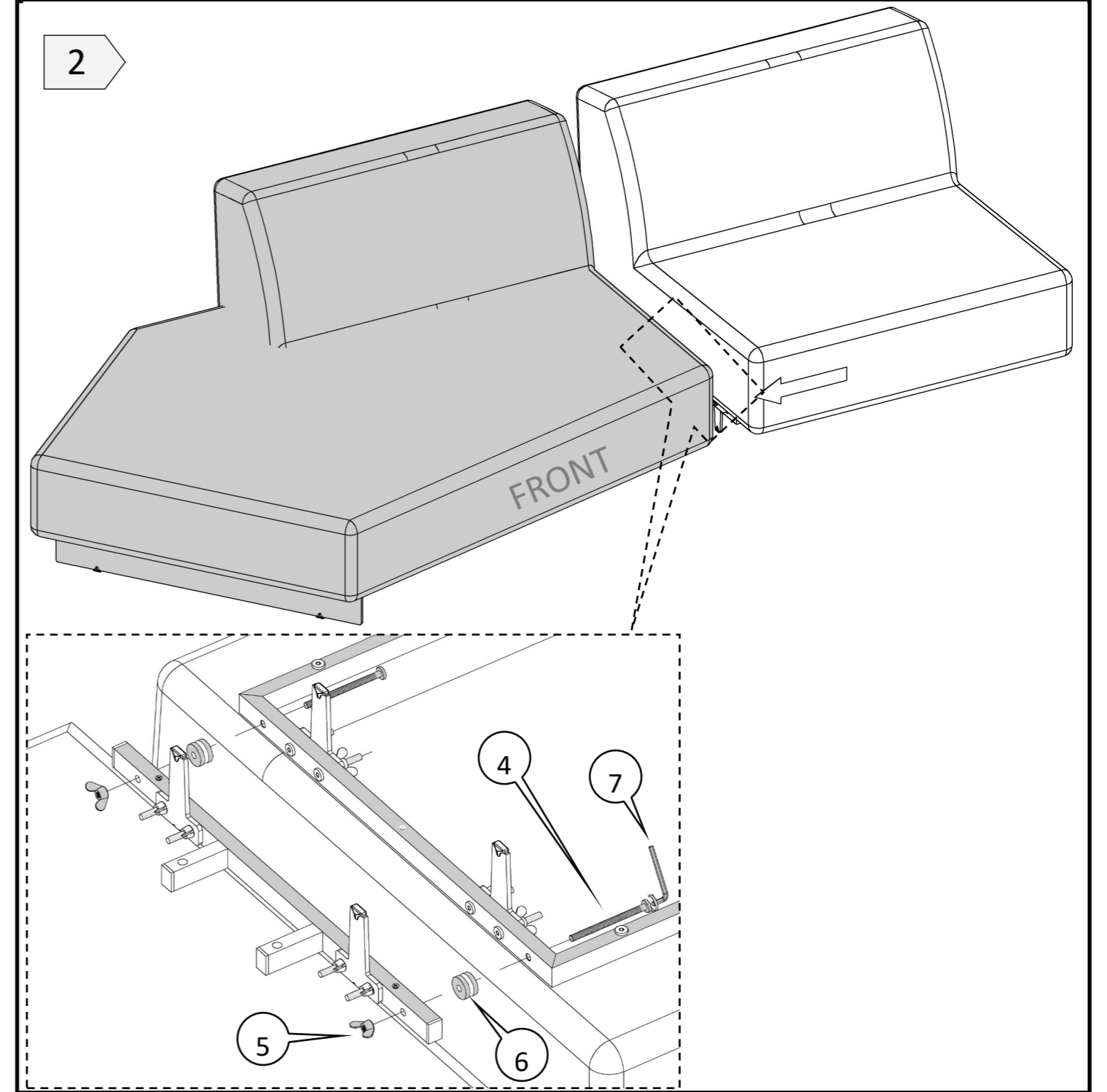
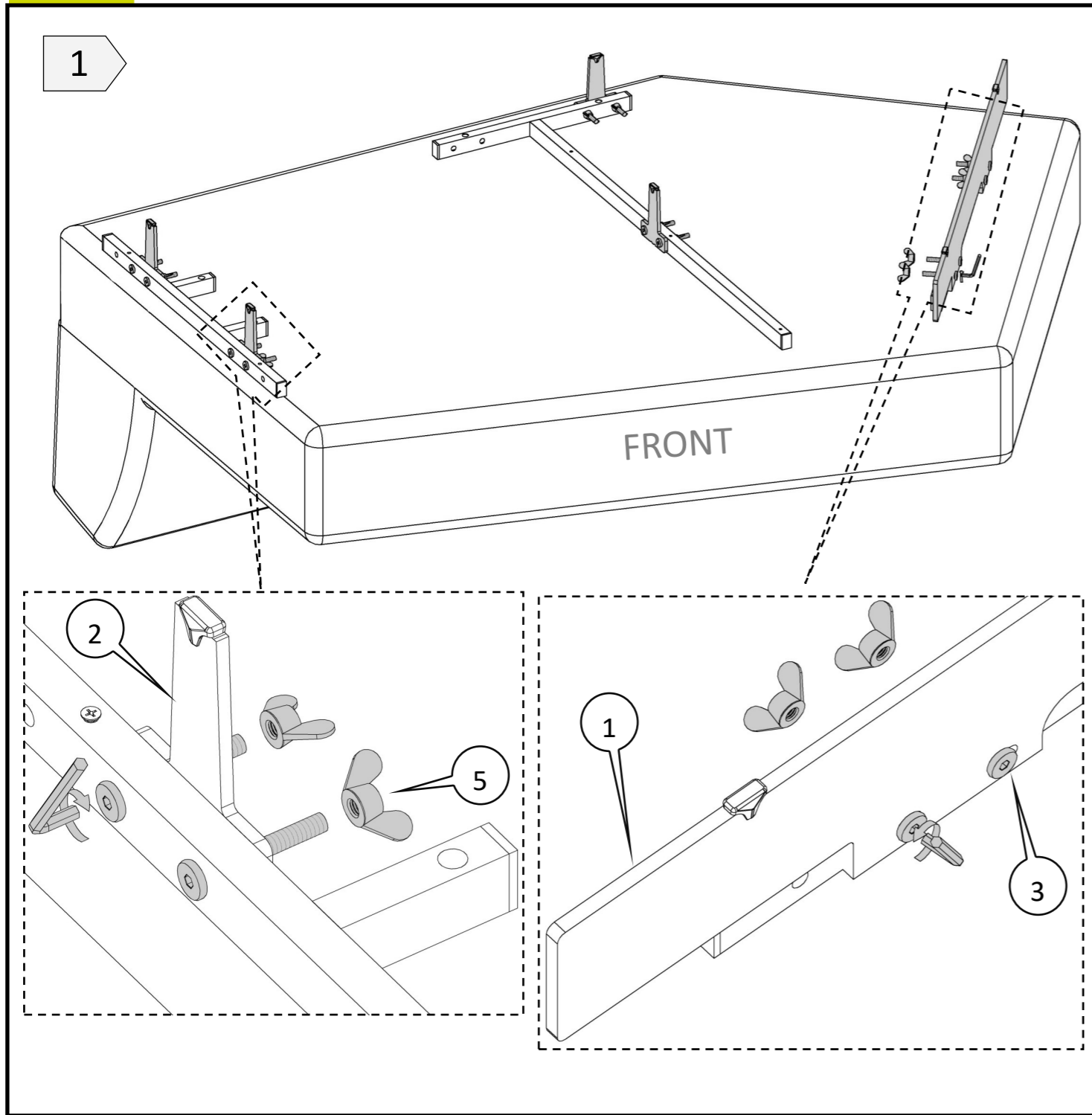


<p>1 x4</p> 	<p>2 x8</p>  <p>M8X50</p>	<p>3 x2</p>  <p>M8X110</p>	<p>4 x10</p>  <p>M8</p>	<p>5 x4</p>  <p>M8</p>	<p>6 x1</p> 
---	--	---	--	---	---

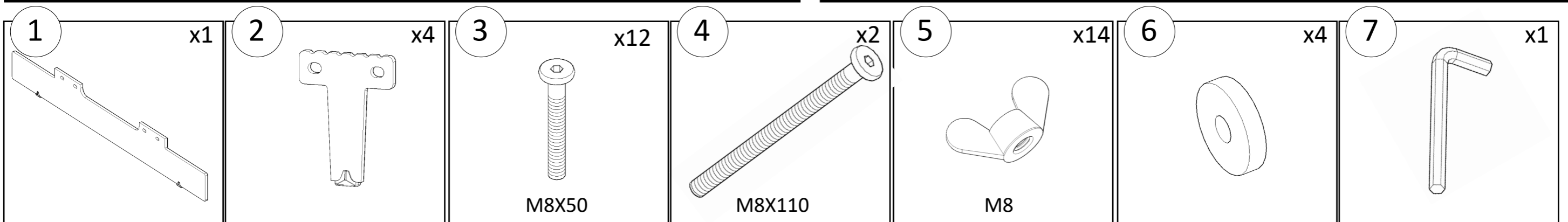
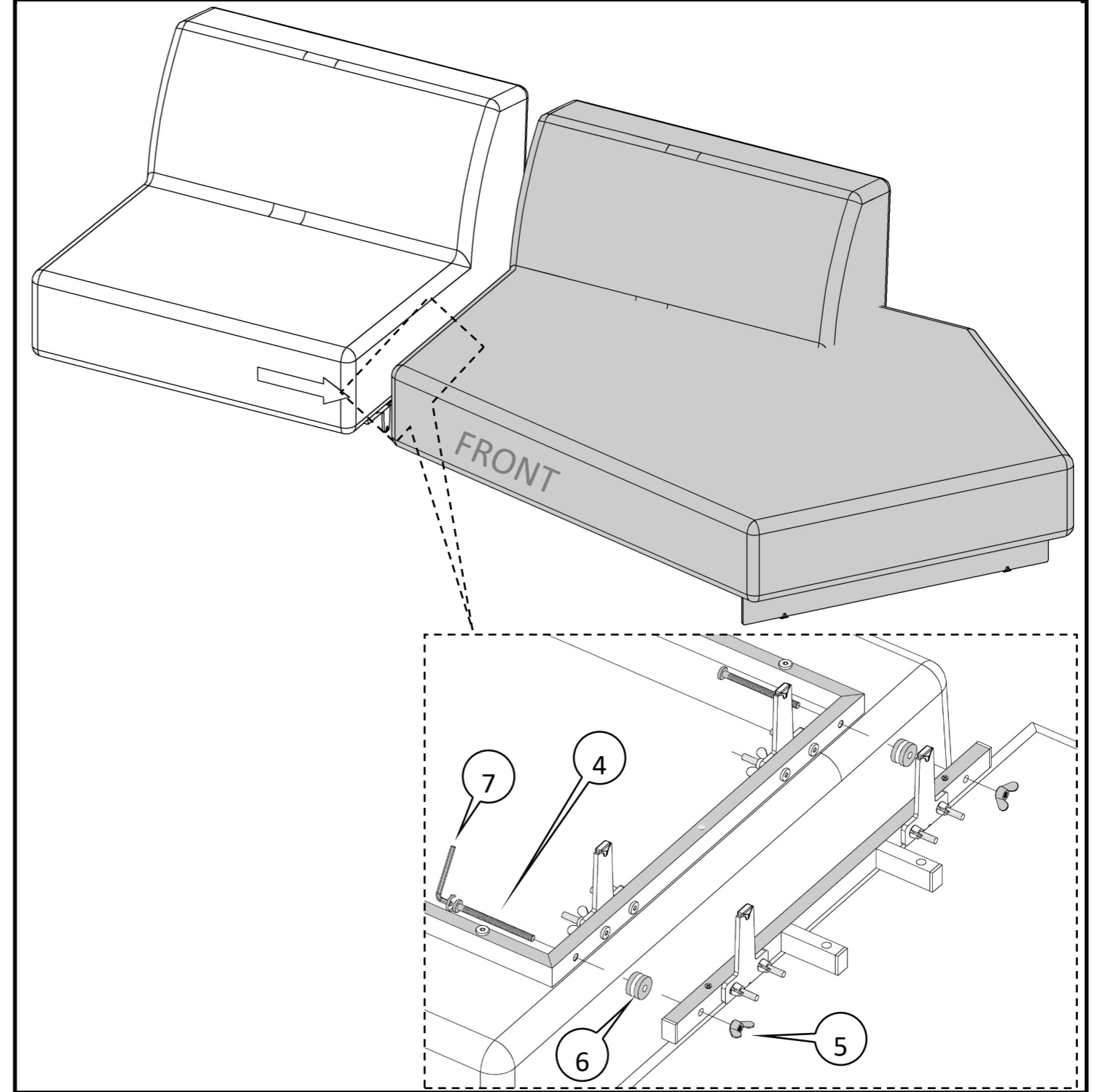
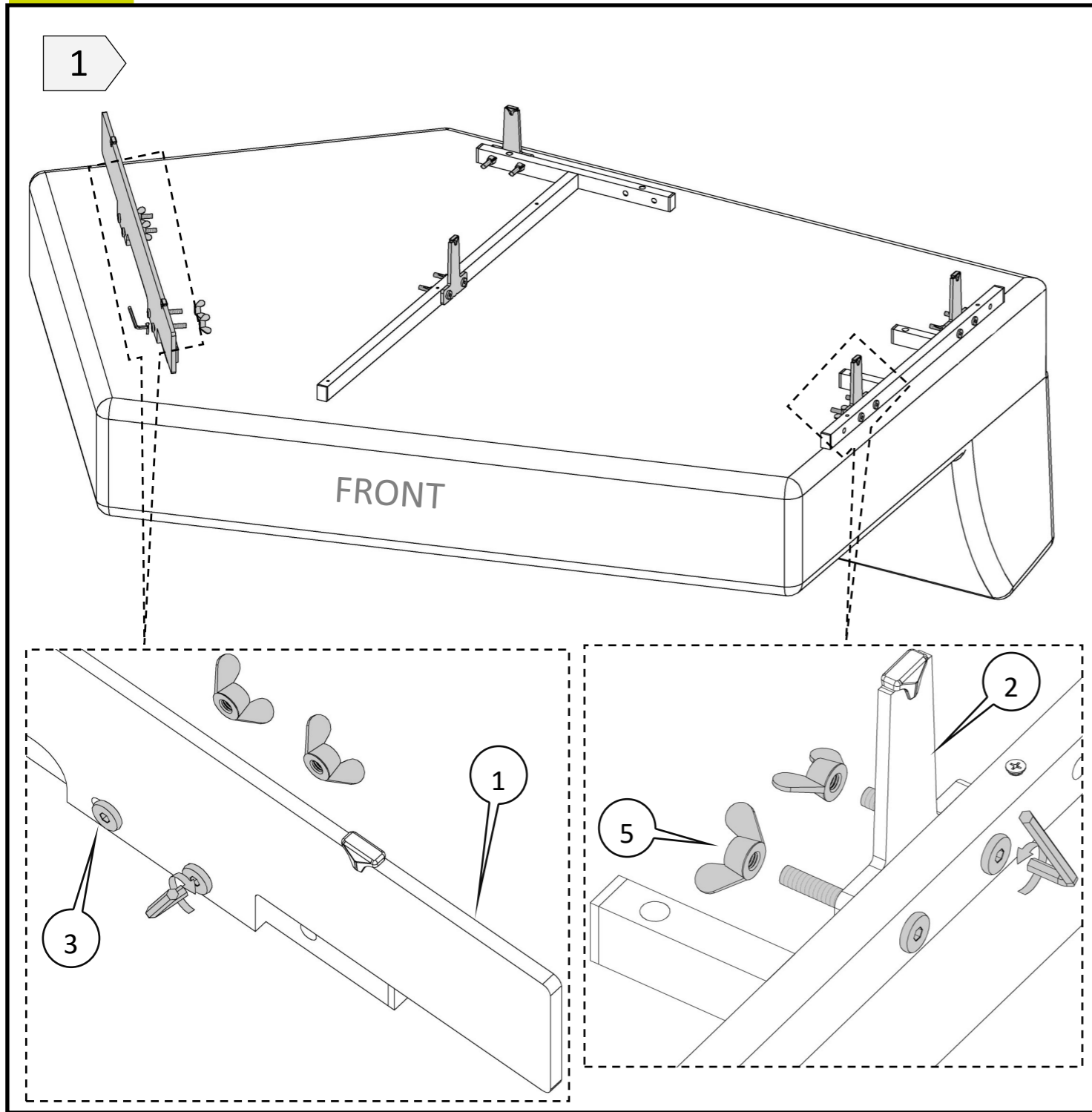


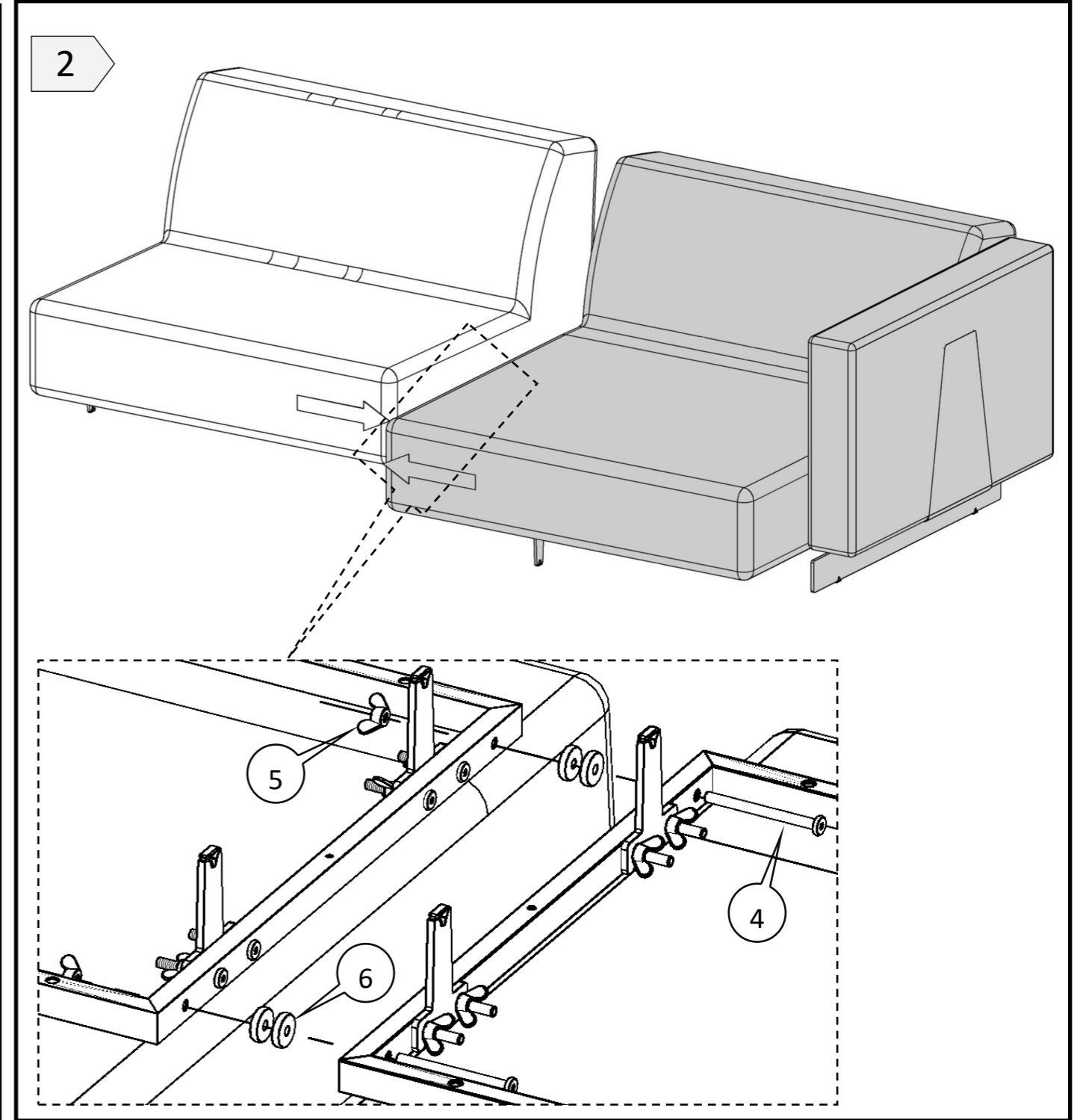
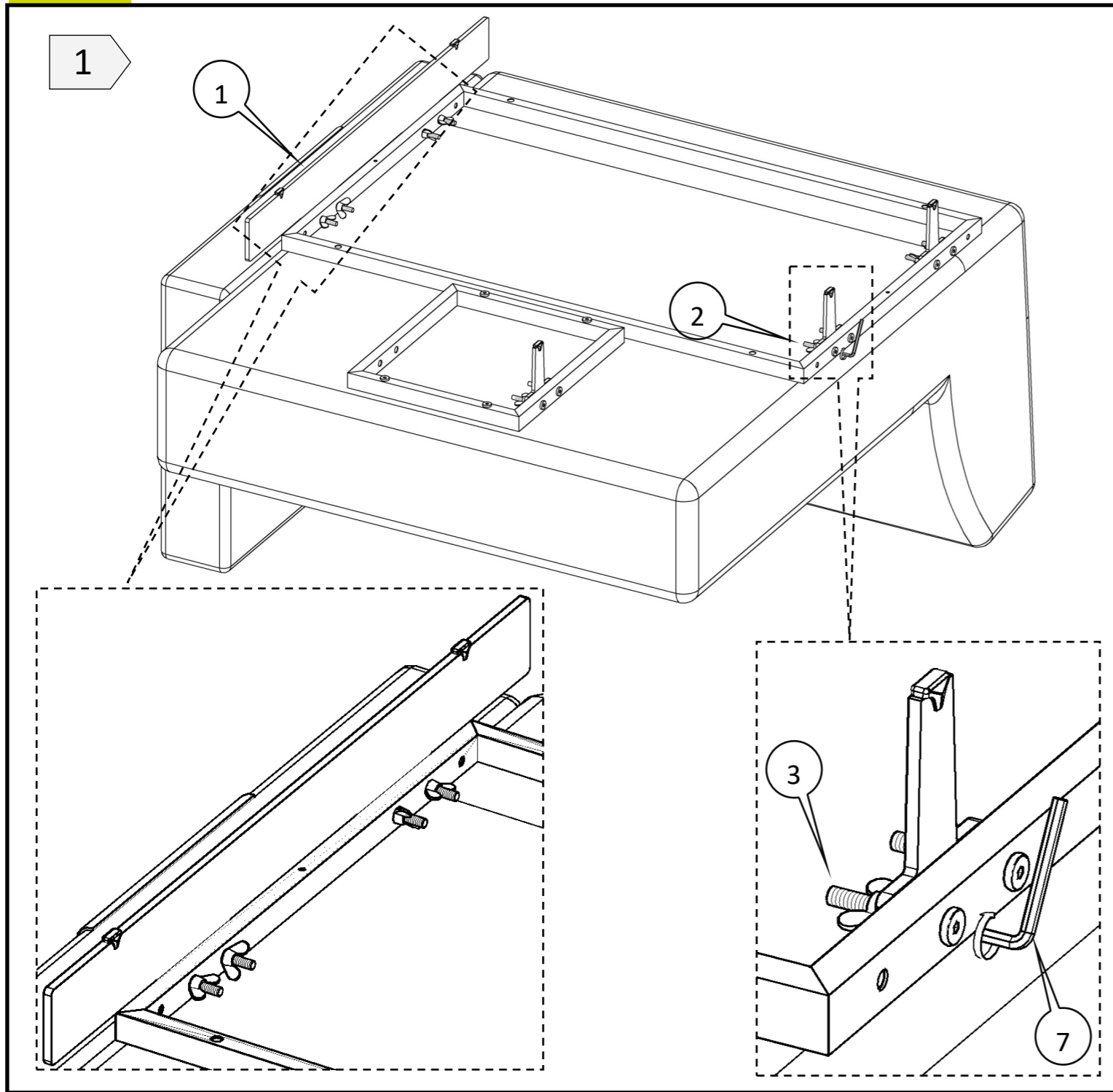
<p>1 x2</p> 	<p>2 x8</p>  <p>M8X50</p>	<p>3 x2</p>  <p>M8X110</p>	<p>4 x10</p>  <p>M8</p>	<p>5 x4</p>  <p>M8</p>	<p>6 x1</p> 
--	--	---	--	---	---

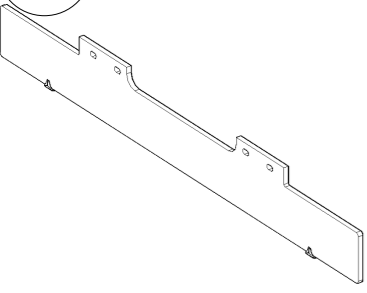
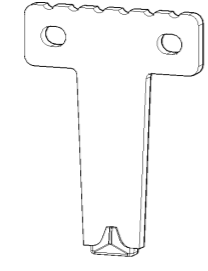
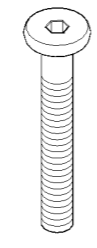
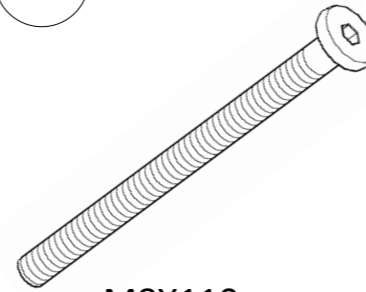
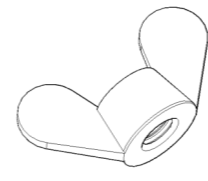

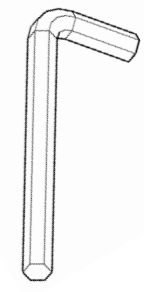


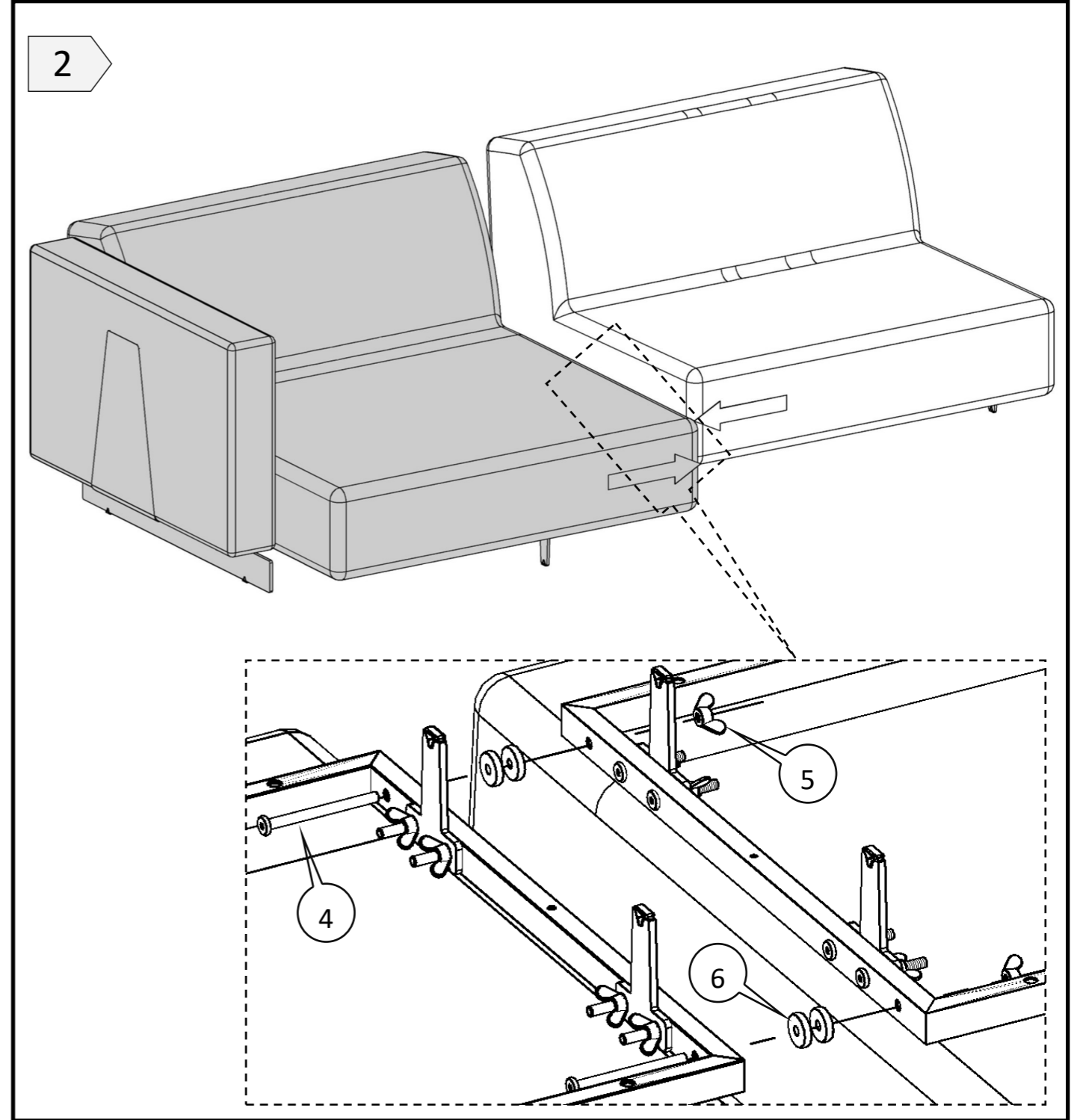
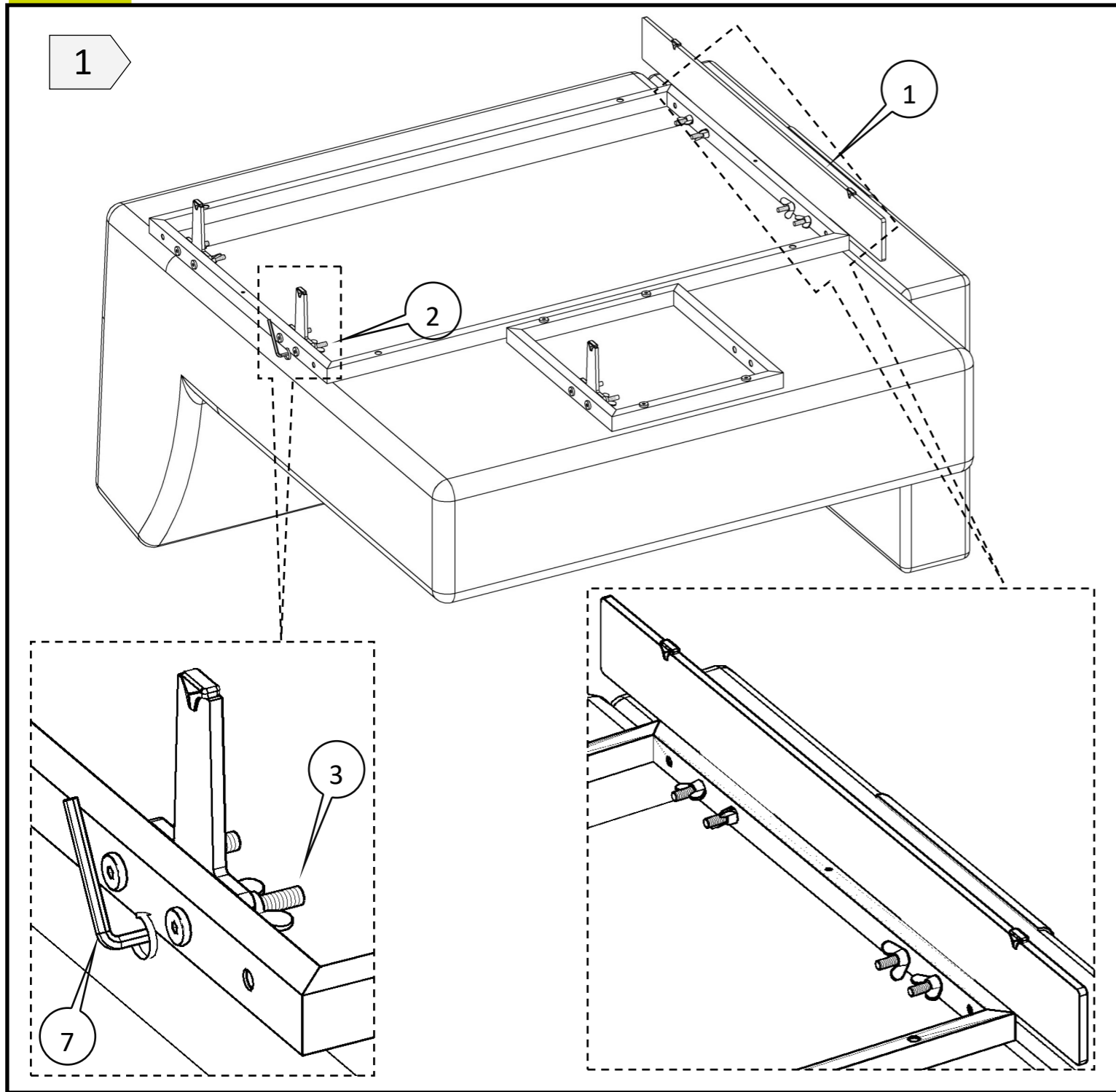


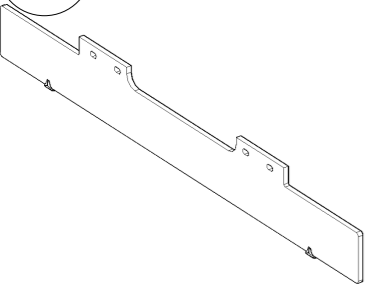
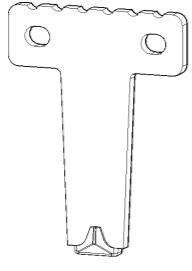
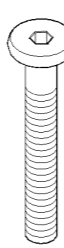
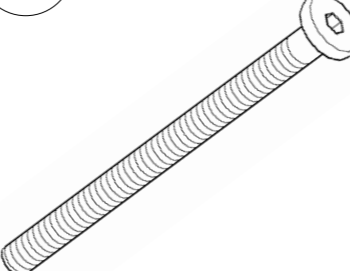
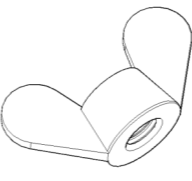
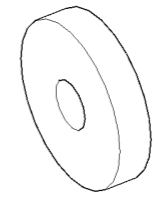
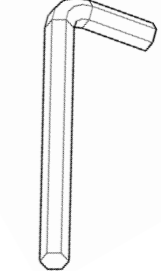
<p>1 x1</p>	<p>2 x4</p>	<p>3 x12</p> <p>M8X50</p>	<p>4 x2</p> <p>M8X110</p>	<p>5 x14</p> <p>M8</p>	<p>6 x4</p>	<p>7 x1</p>
-------------	-------------	---------------------------	---------------------------	------------------------	-------------	-------------

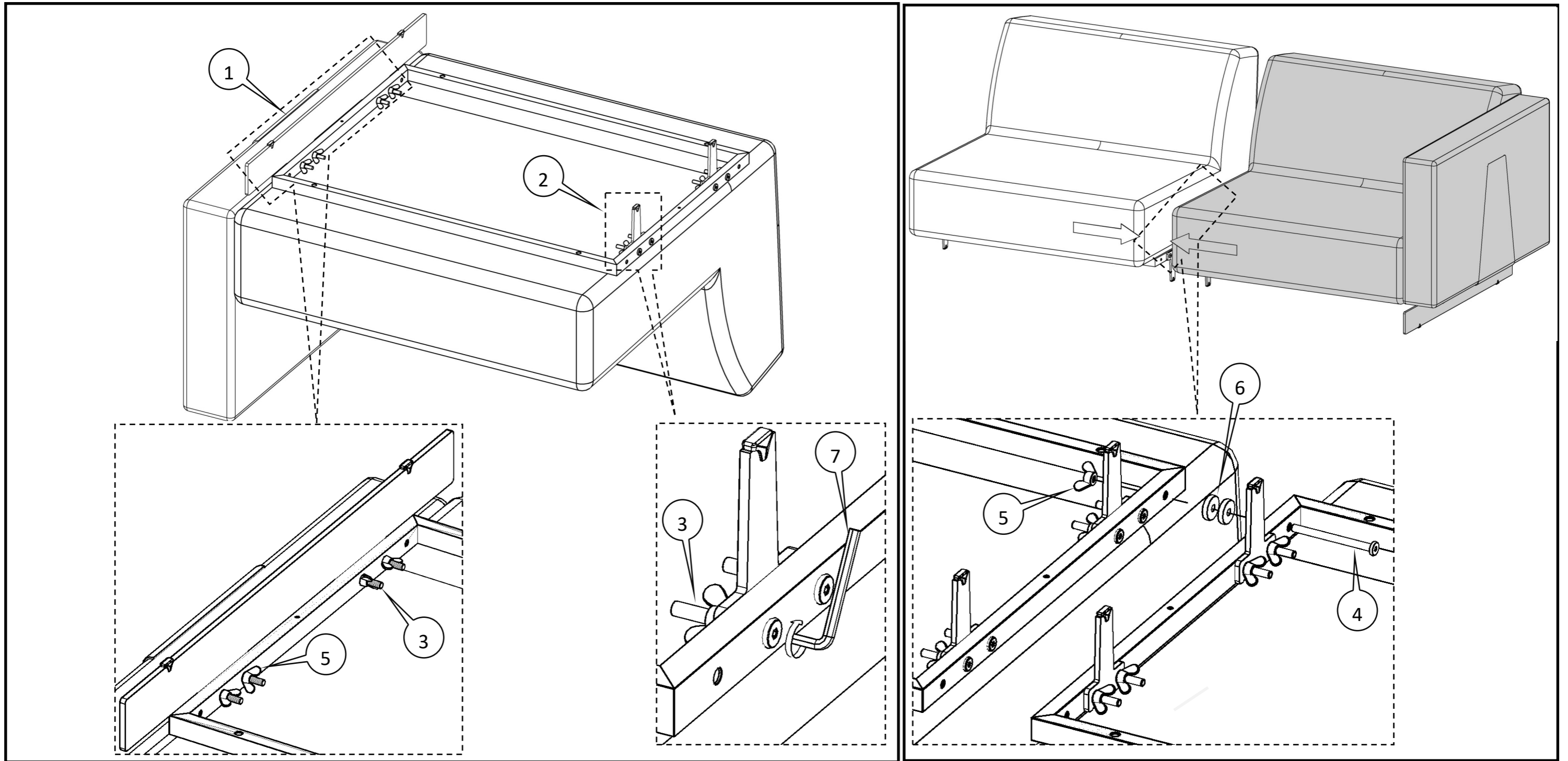




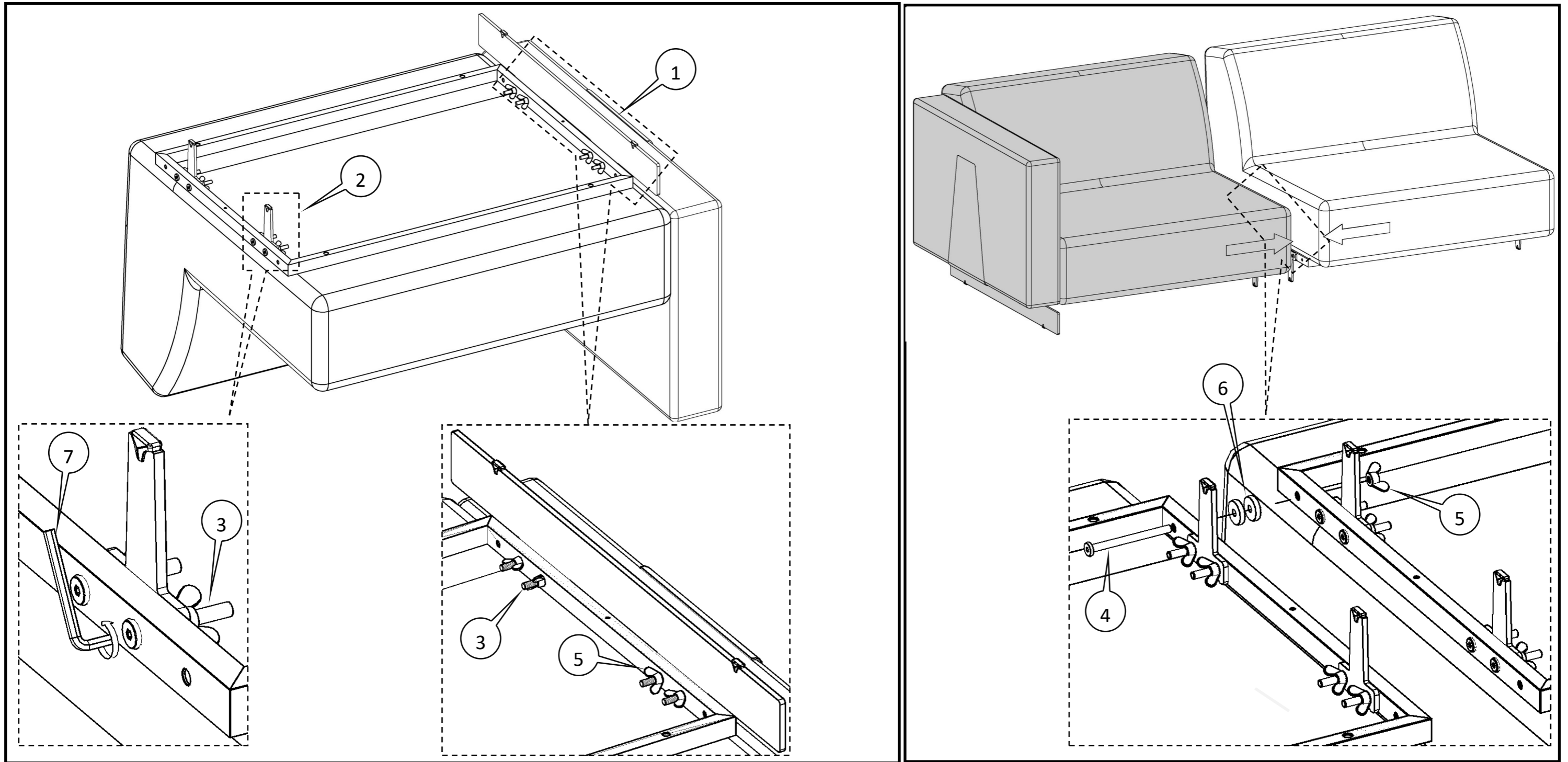
<p>1 x1</p> 	<p>2 x3</p> 	<p>3 x10</p> <p>M8X50</p> 	<p>4 x2</p> <p>M8X110</p> 	<p>5 x12</p> <p>M8</p> 	<p>6 x4</p> 	<p>7 x1</p> 
---	---	--	---	--	---	---



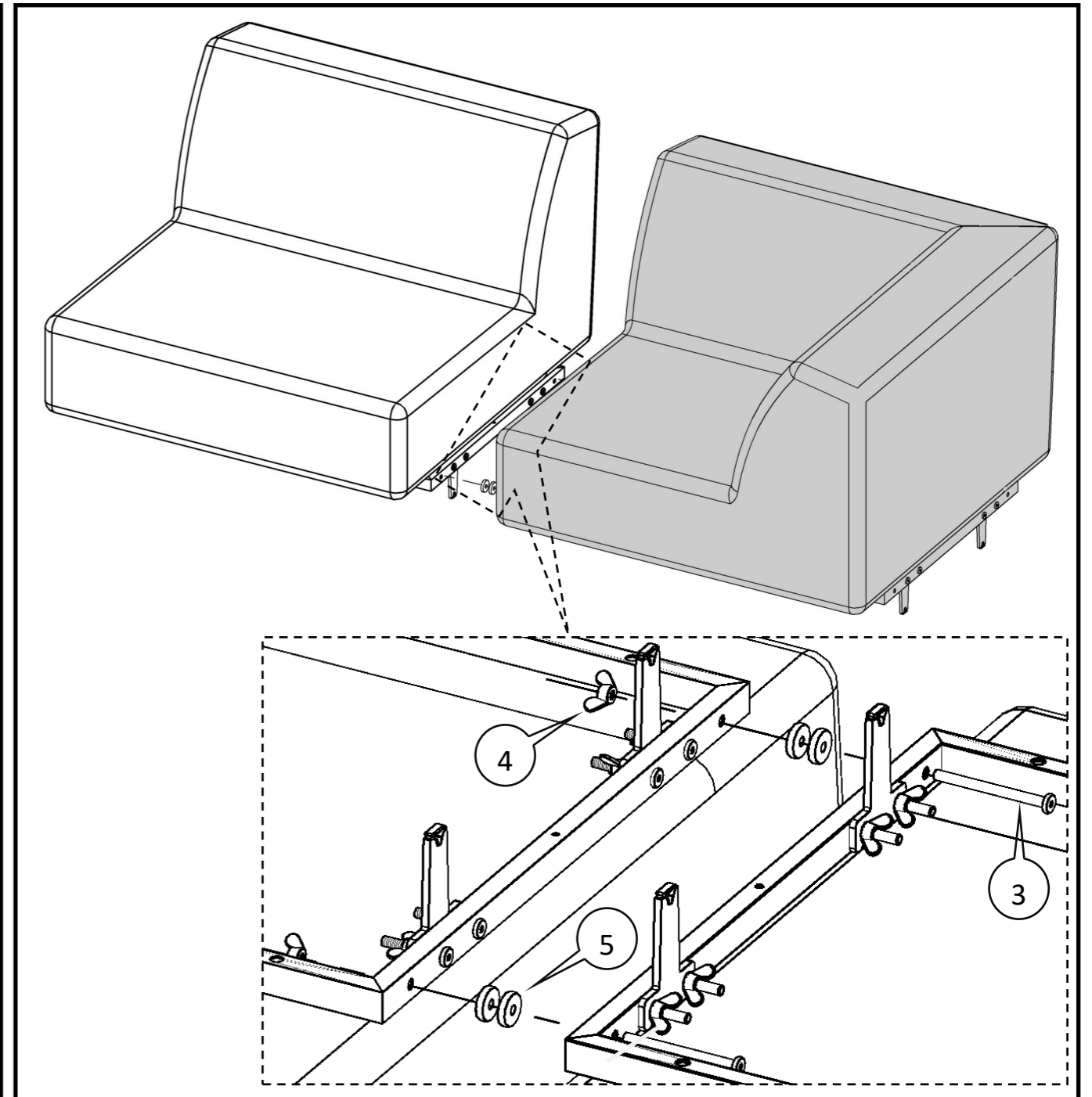
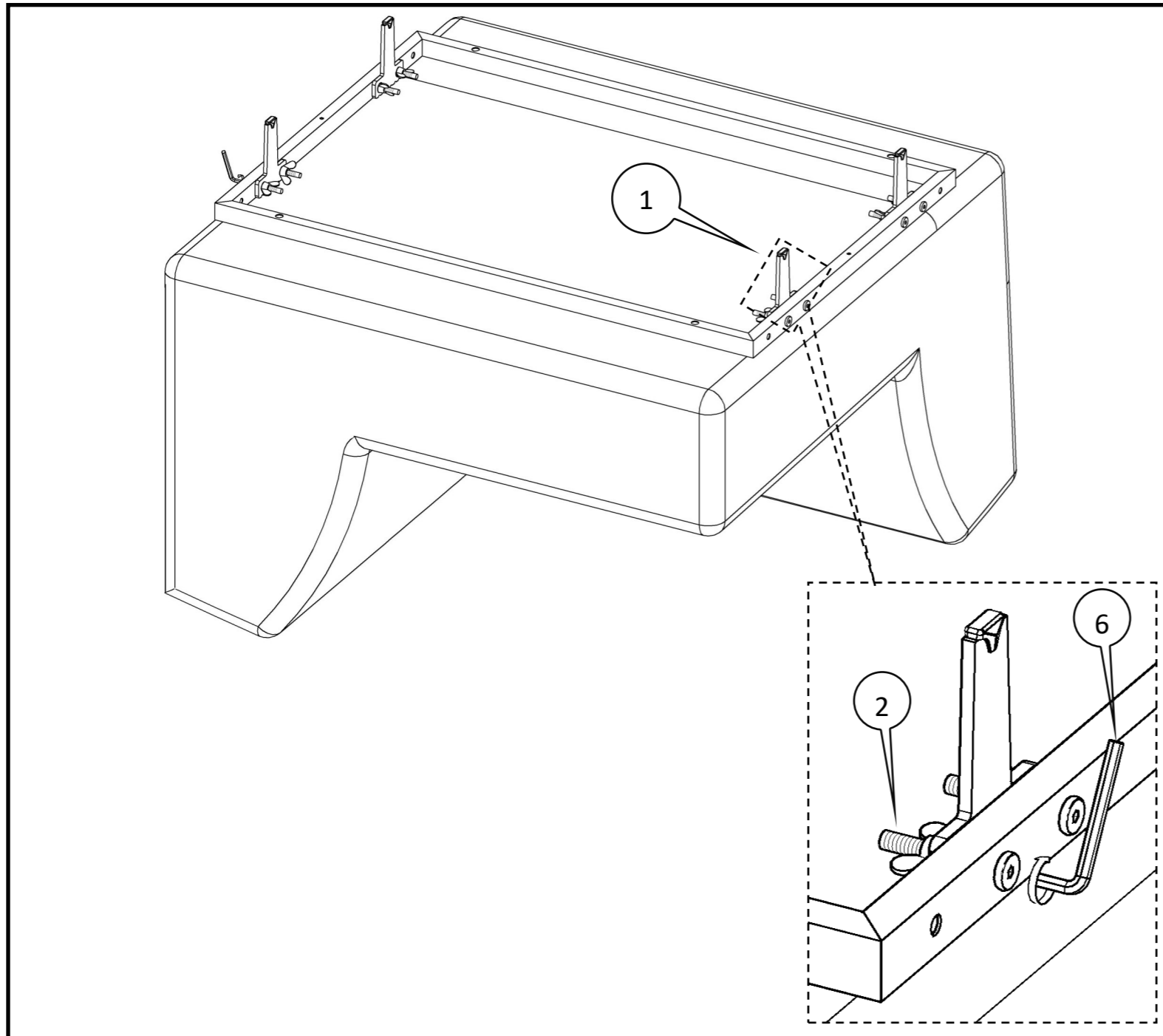
<p>1 x1</p> 	<p>2 x3</p> 	<p>3 x10</p> <p>M8X50</p> 	<p>4 x2</p> <p>M8X110</p> 	<p>5 x12</p> <p>M8</p> 	<p>6 x4</p> 	<p>7 x1</p> 
---	---	---	---	--	---	---

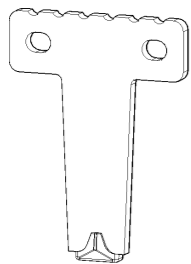
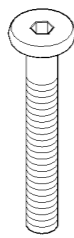
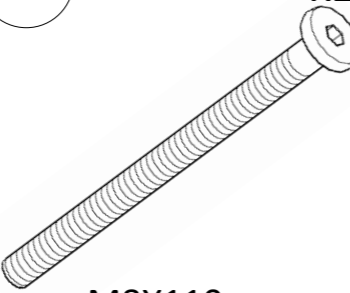
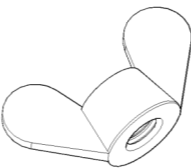

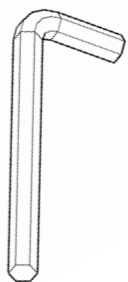


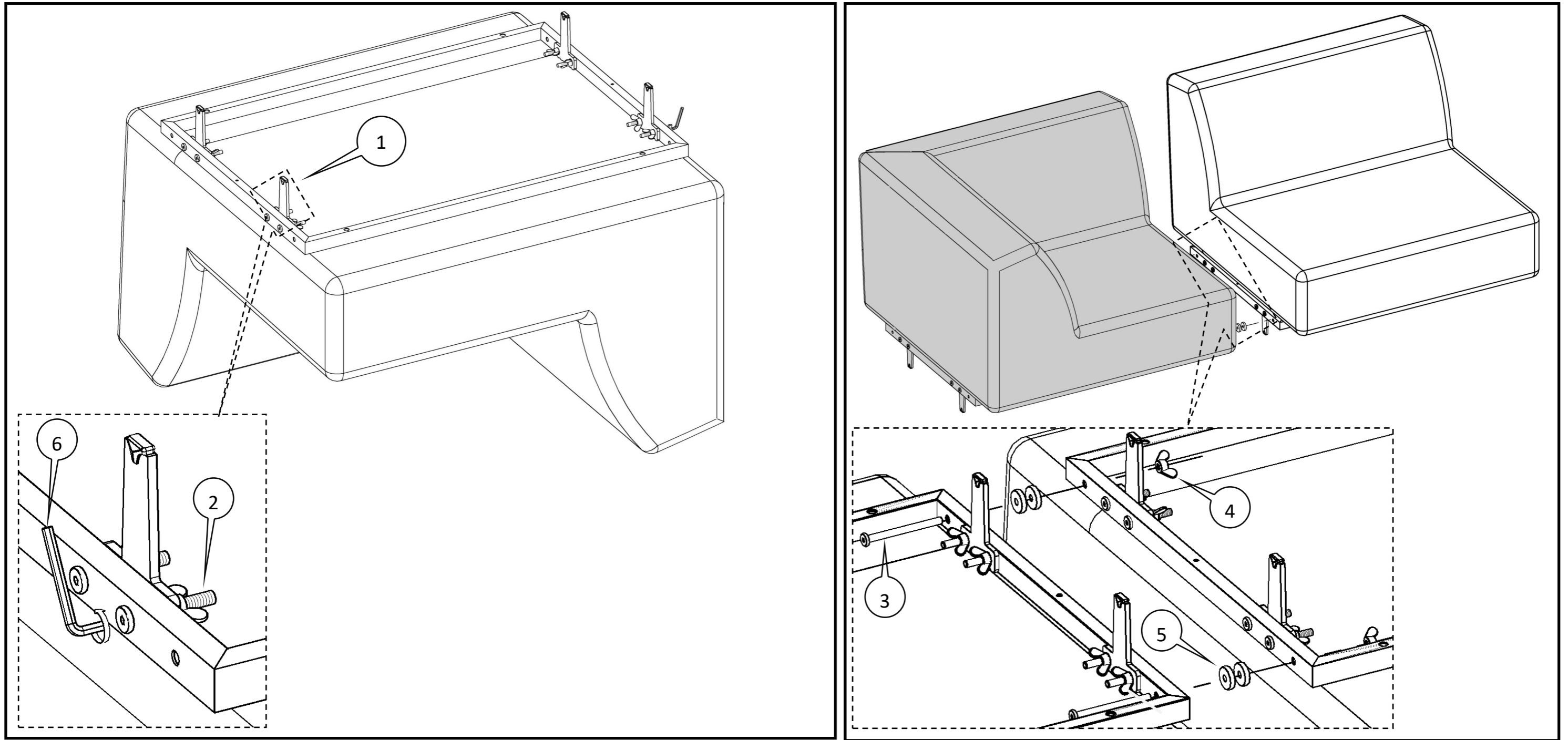
<p>1 x1</p>	<p>2 x2</p>	<p>3 x8</p> <p>M8X50</p>	<p>4 x1</p> <p>M8X110</p>	<p>5 x9</p> <p>M8</p>	<p>6 x2</p>	<p>7 x1</p>
--------------------	--------------------	---------------------------------	----------------------------------	------------------------------	--------------------	--------------------

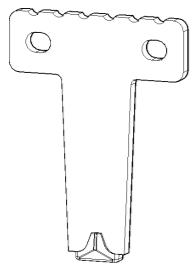
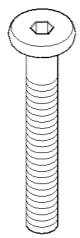
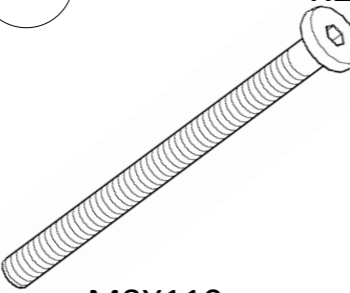
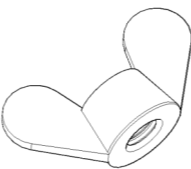

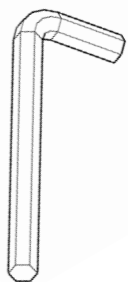


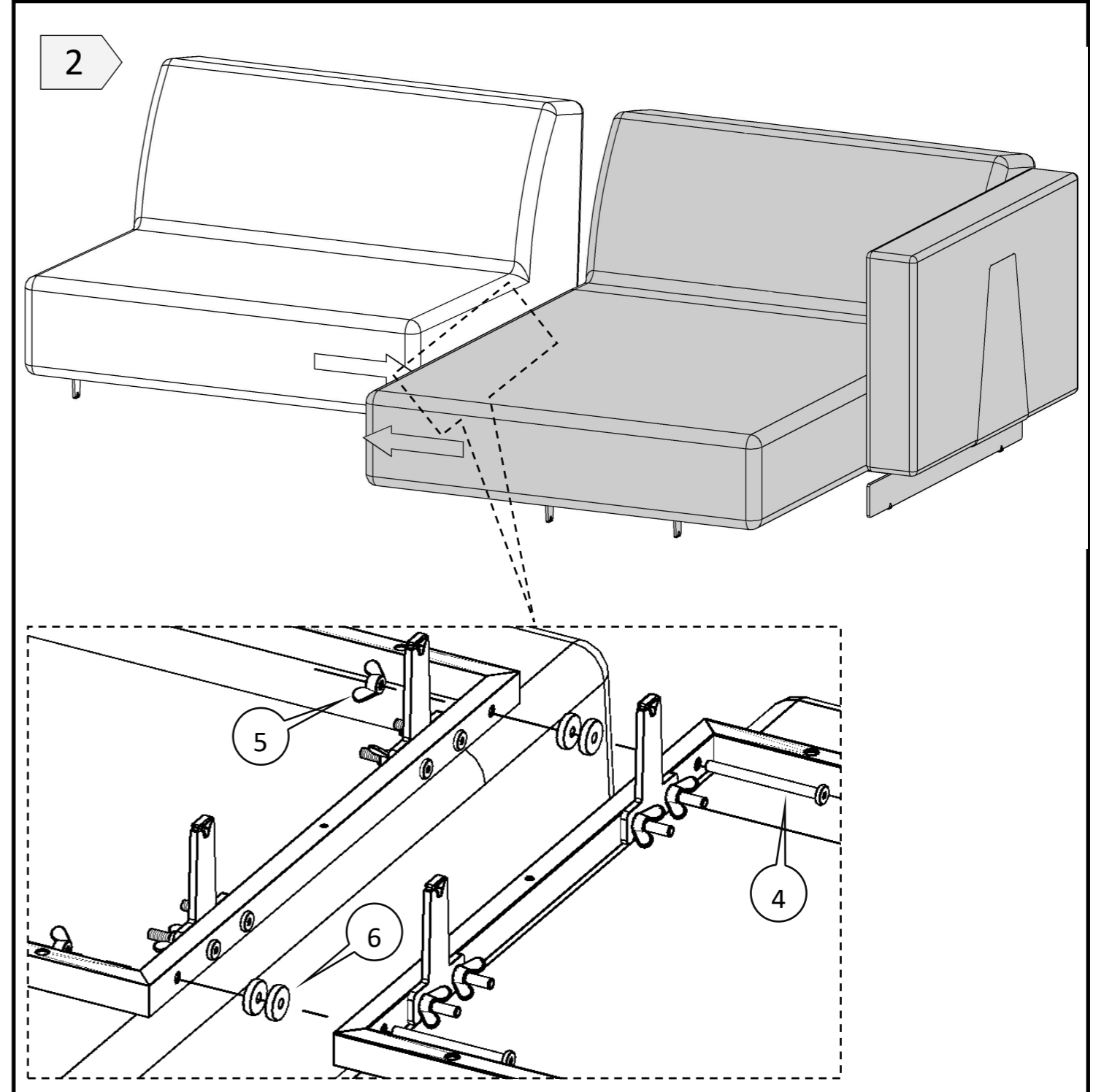
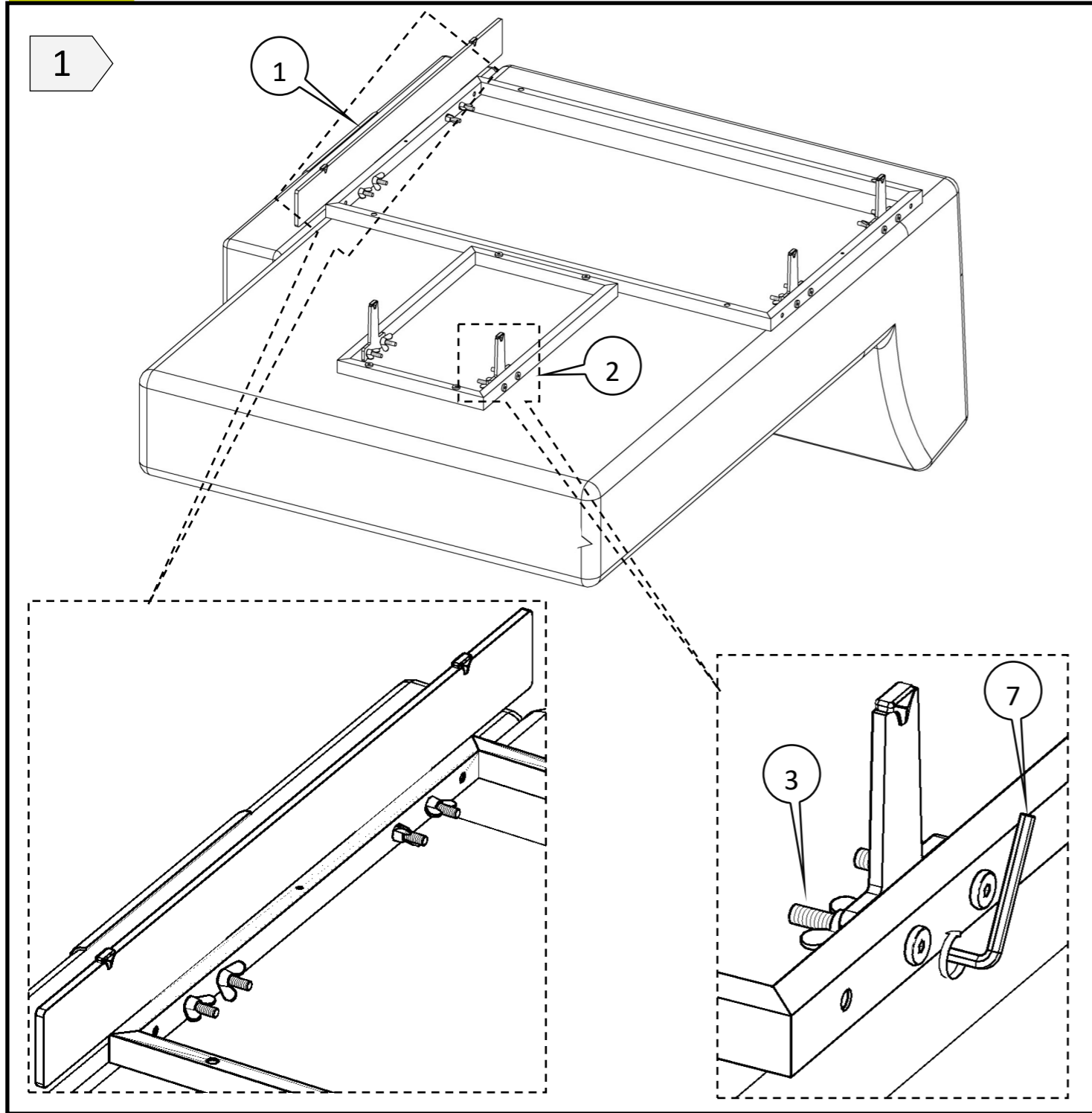
<p>1 x1</p>	<p>2 x2</p>	<p>3 x8</p> <p>M8X50</p>	<p>4 x1</p> <p>M8X110</p>	<p>5 x9</p> <p>M8</p>	<p>6 x2</p>	<p>7 x1</p>
--------------------	--------------------	---------------------------------	----------------------------------	------------------------------	--------------------	--------------------

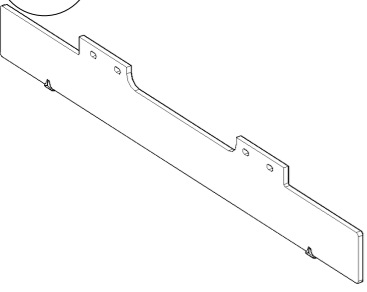
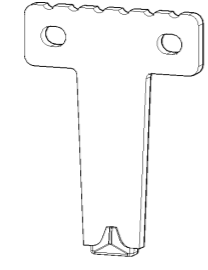
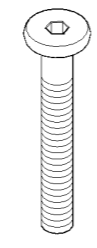
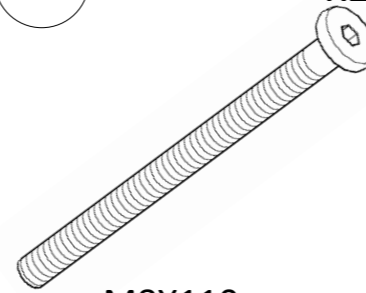
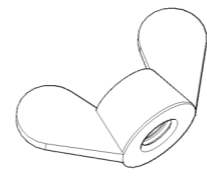

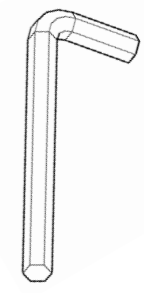


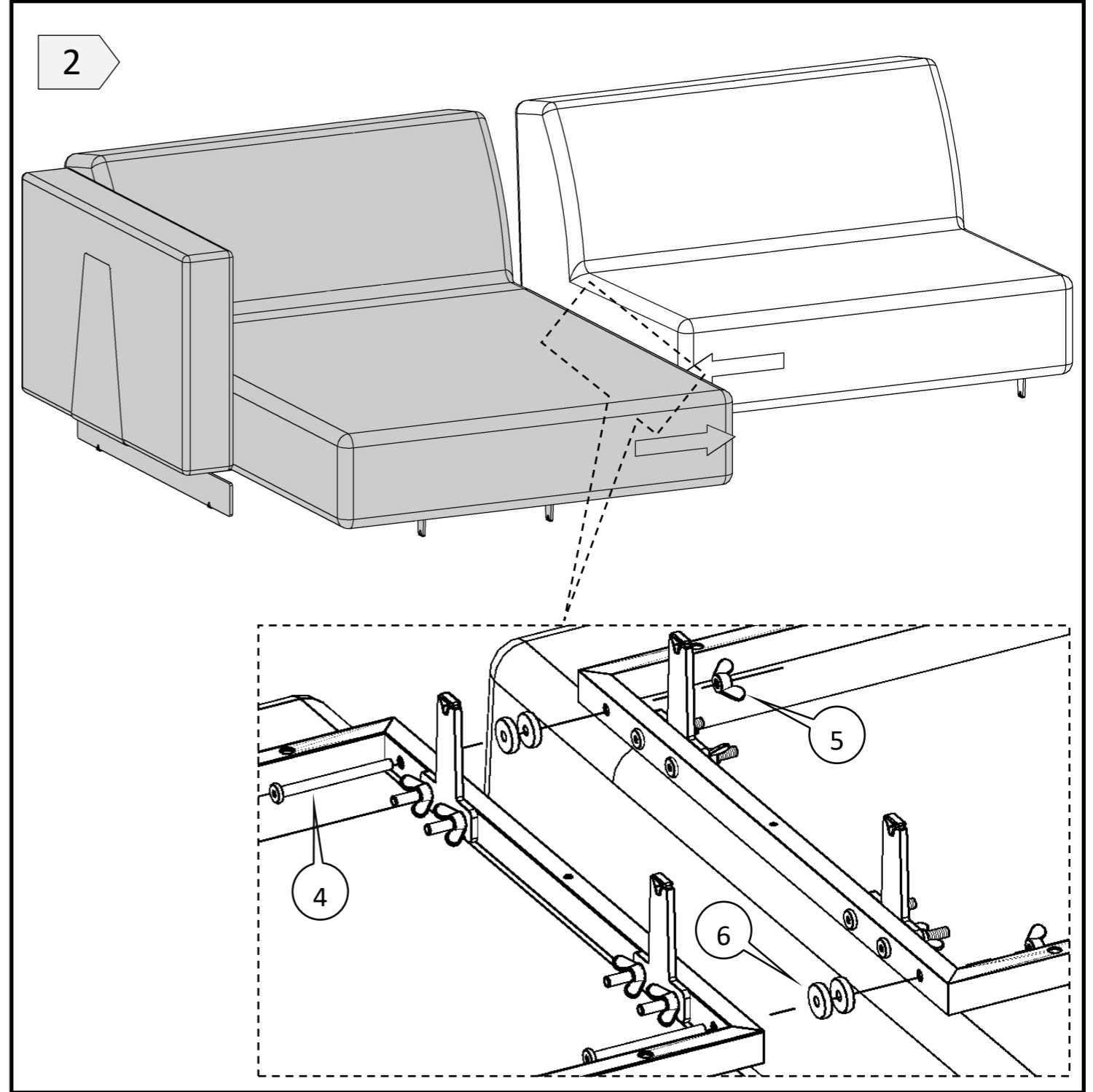
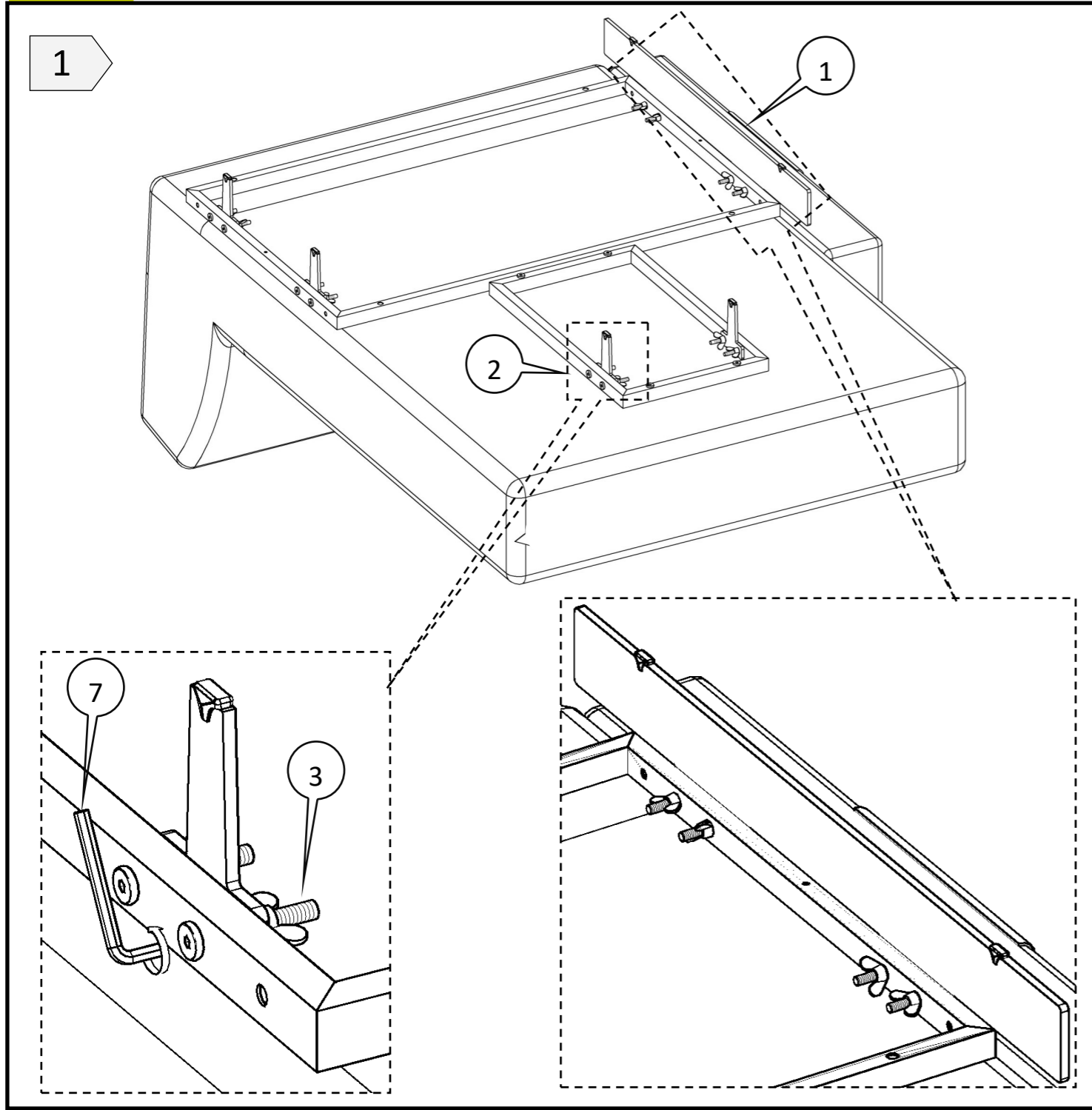
<p>1 x4</p> 	<p>2 x8</p>  <p>M8X50</p>	<p>3 x2</p>  <p>M8X110</p>	<p>4 x10</p>  <p>M8</p>	<p>5 x4</p> 	<p>6 x1</p> 
---	--	--	--	---	---



<p>1 x4</p> 	<p>2 x8</p>  <p>M8X50</p>	<p>3 x2</p>  <p>M8X110</p>	<p>4 x10</p>  <p>M8</p>	<p>5 x4</p> 	<p>6 x1</p> 
---	--	--	--	---	---



<p>1</p> <p>x1</p> 	<p>2</p> <p>x4</p> 	<p>3</p> <p>x12</p> <p>M8X50</p> 	<p>4</p> <p>x2</p> <p>M8X110</p> 	<p>5</p> <p>x14</p> <p>M8</p> 	<p>6</p> <p>x4</p> 	<p>7</p> <p>x1</p> 
--	--	---	--	---	--	--



<p>1 x1</p>	<p>2 x4</p>	<p>3 x12</p> <p>M8X50</p>	<p>4 x2</p> <p>M8X110</p>	<p>5 x14</p> <p>M8</p>	<p>6 x4</p>	<p>7 x1</p>
-------------	-------------	---------------------------	---------------------------	------------------------	-------------	-------------