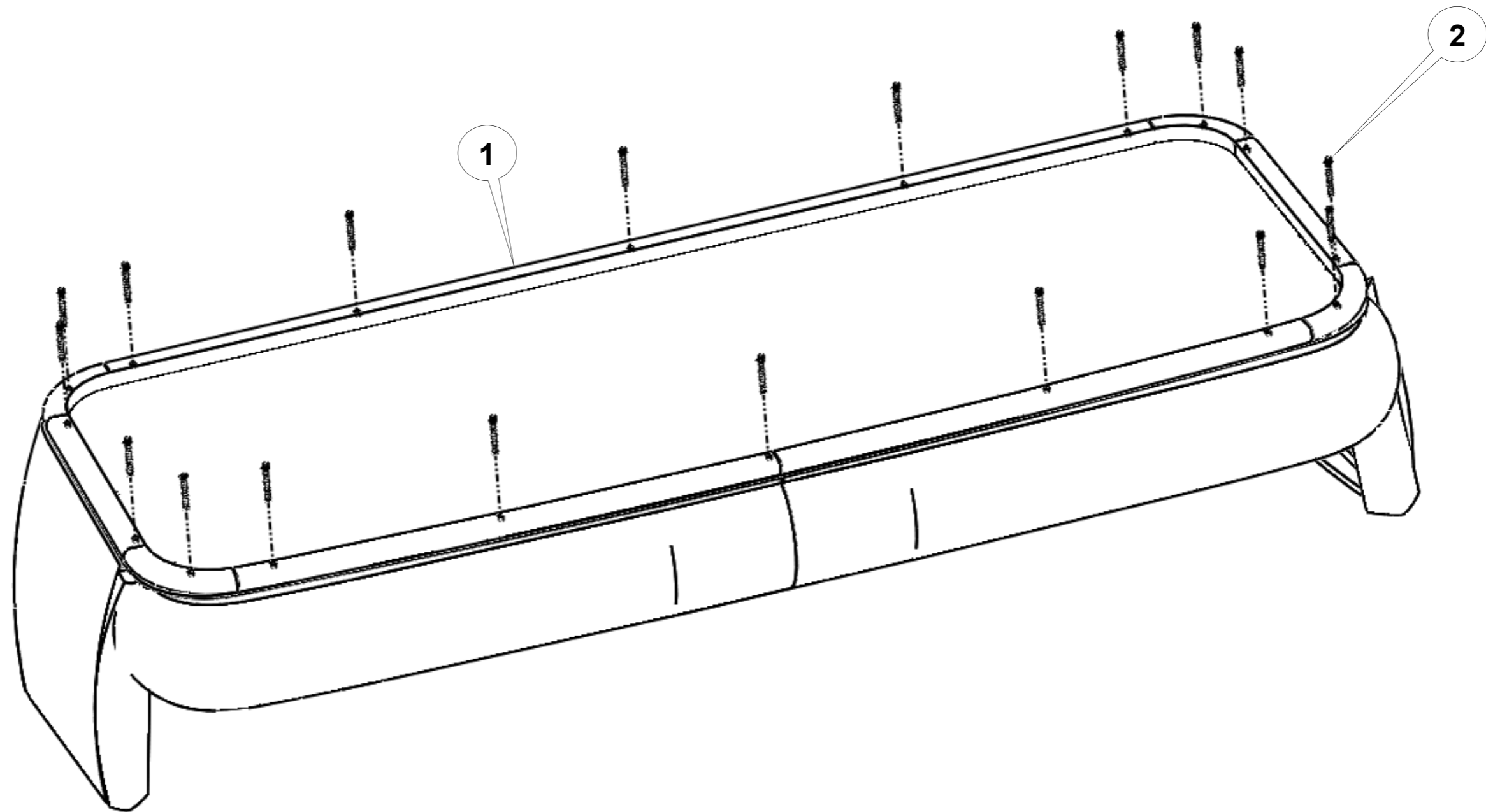
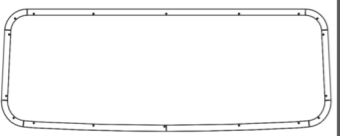



CALIFORNIA 4'LÜ



1 **1x**



2 **18x**



5x70mm

3

4

5

6

7

8
