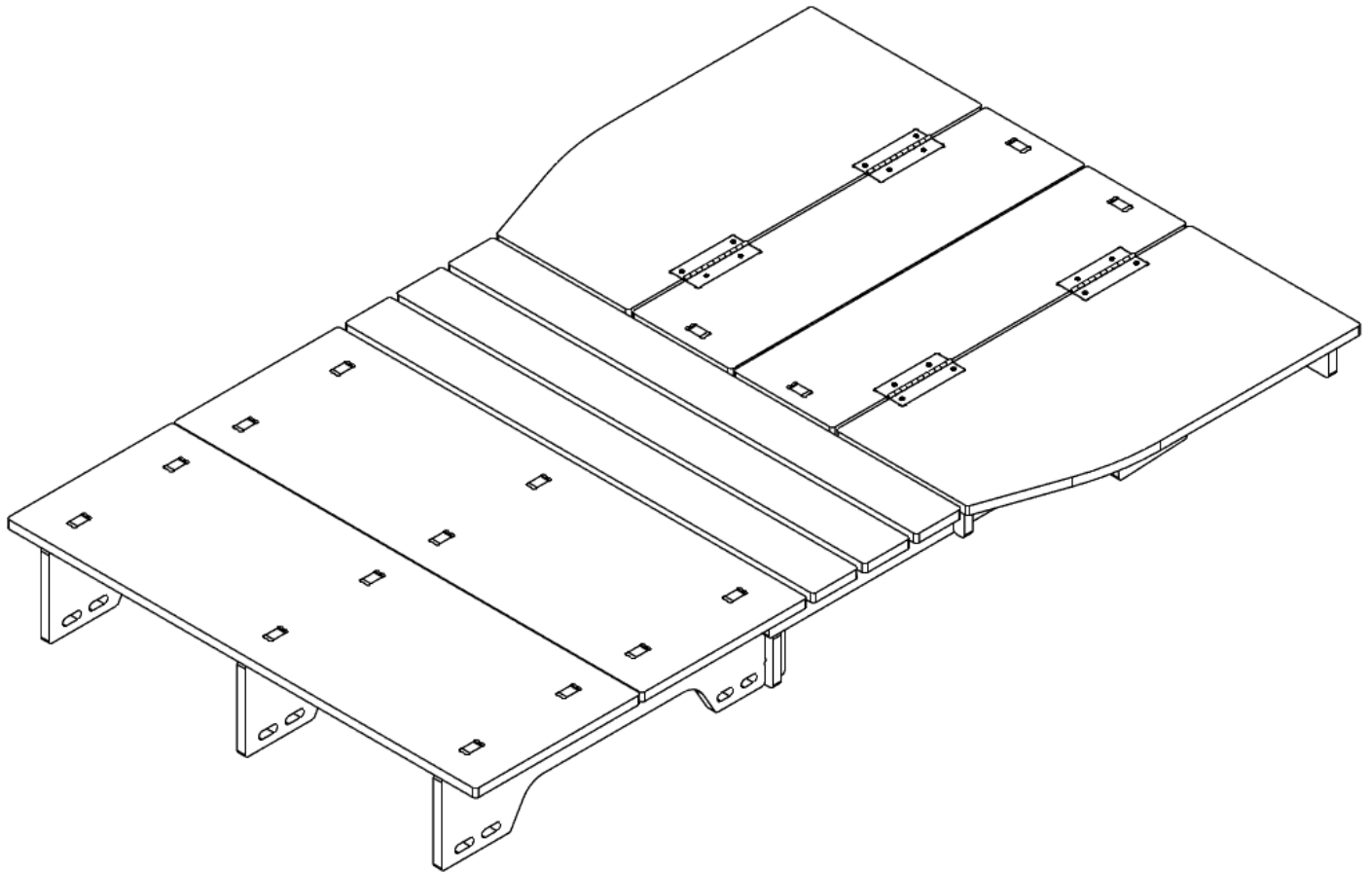




Owner's Manual and Instructions



Sleeping Platform

CarToCamp - Orion Outdoors, LLC

Birdsboro, PA 19508 USA

PATENT PENDING

THIS PAGE WAS INTENTIONALLY LEFT BLANK

TABLE OF CONTENTS

- Safety Information 4
- Care and Maintenance 5
- Assembly and Installation Instructions 6
 - Before You Begin..... 6
 - Parts List..... 7
 - Assembly Instructions 11
- Disassembly and Storage 23
- Customer Notes 24
- Limited One Year Warranty 25
- Customer Support 26

Safety Information

IMPORTANT SAFETY INFORMATION

READ ALL INSTRUCTIONS BEFORE USING THE PRODUCT



WARNING

For your safety, the information in this manual must be followed to minimize the risk of personal injury.

- Use this product only for its intended purpose as described in this Owner's Manual.
- This sleeping platform must be properly installed in accordance with the Installation Instructions before it is used. There are many pinch points throughout assembly that could result in personal injury.
- Use this product with caution if any pieces are broken or damaged. Inspect all components before extended use. Replace broken parts immediately if the product is no longer functional.
- The sleeping platform is rated for two (2) individuals up to 250 lbs., or a total of 500 lbs. Exceeding this weight introduces the risk of personal injury and/or permanent damage to the sleeping platform.
- Verify that the product is secured and properly interlocked when getting on and off the sleeping platform. Incorrectly connected or mounted components could result in personal injury when loads are applied.
- The sleeping platform is not intended to be used while the vehicle is in motion.
- The sleeping platform does not have to be collapsed while driving. It can remain fully assembled and installed. CarToCamp is not responsible for the platform sliding forward or objects on or around the platform sliding forward while driving.
- CarToCamp is not liable for injury to the driver or damage to the vehicle caused by the sleeping platform in the event of an accident.
- The driver should not compromise driving form and comfort while the sleeping platform is assembled and installed. It is designed to be adjusted or collapsed to ensure safe conditions in the vehicle while driving.
- To avoid personal injury, a second person should help to lift the components or when installing the product, if needed.
- Consider the maximum internal weight limits of the vehicle, including passengers, the sleeping platform, and equipment.

READ AND SAVE THESE INSTRUCTIONS

Care and Maintenance

Storage

Store the Sleeping Platform in a climate-controlled environment when not in use. Minimized exposure to moisture or damp environments, or extreme heat or cold temperatures, will preserve the fit and finish of the materials and maintain structural integrity.

Wooden Components

Visually inspect each wooden component for splintering, fracturing, or warping. To remove any splinters, cut off the splinter or sand the rough area.

If the wooden components are wet, for example due to rain or a spilled beverage, dry the wood immediately.

Assembly and Installation Instructions

Questions? Email CarToCamp at info@cartocamp.com or visit our website at: <https://www.cartocamp.com/>

Before You Begin

Read these instructions completely and carefully.

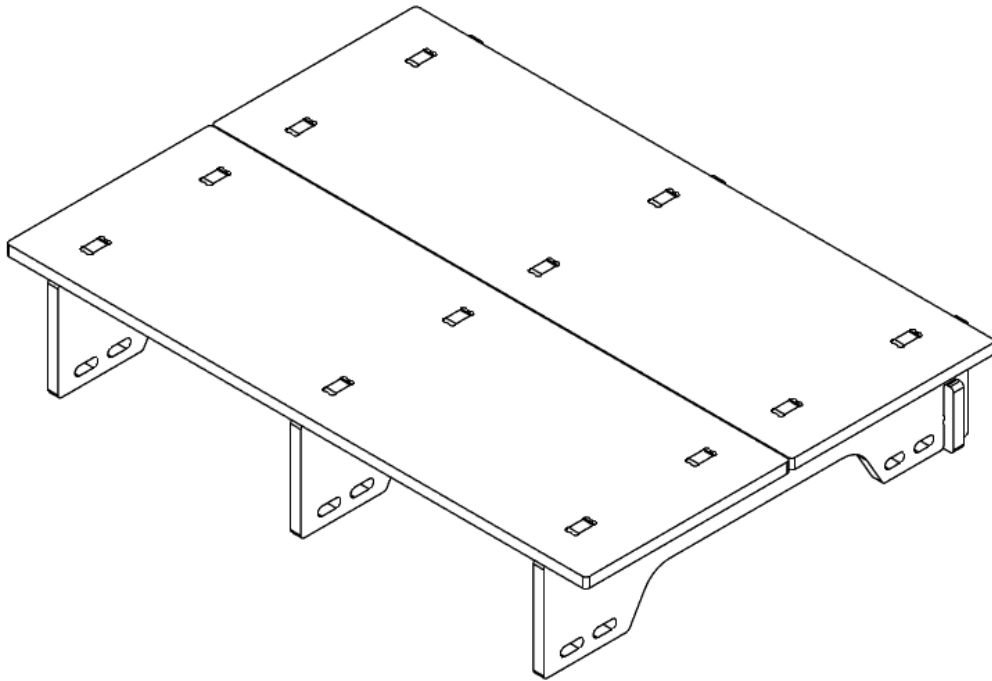
- **Note to Customer** - Keep these instructions for future reference.
- **Skill Level** - Assembly and installation of this product requires basic assembly skills. No tools required.
- **Completion time** - Approximately 30 minutes.
- **Weight Limit** – Up to two (2) 250 lbs. individuals
- Although one person can assemble and install this product, two people may make the installation easier. The Sleeping Platform weighs approximately 80lbs - use proper lifting and handling techniques.
- Proper assembly and installation are the responsibility of the user.
- Product failure due to improper assembly or installation is not covered under the Warranty.
- You **MUST** use all supplied parts and use proper assembly and installation procedures as described in these instructions when assembling and installing the sleeping platform.

IMPORTANT: Ensure the vehicle is in park, on stable, level ground, and away from traffic. Always consider the surroundings before assembling this product.

Go to CarToCamp's YouTube Channel for a step-by-step "Sleeping Platform Install Guide".

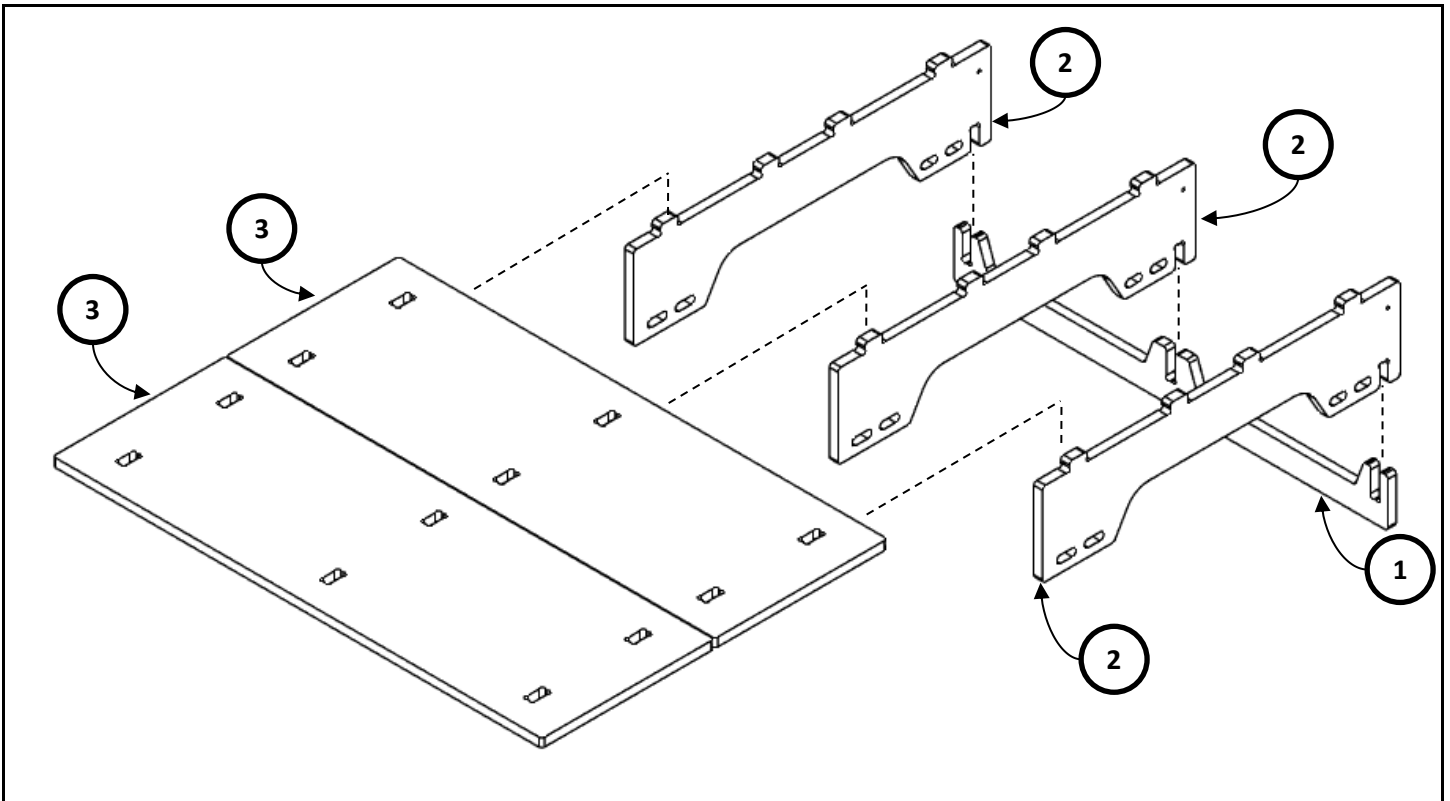
Parts List

Trunk Section

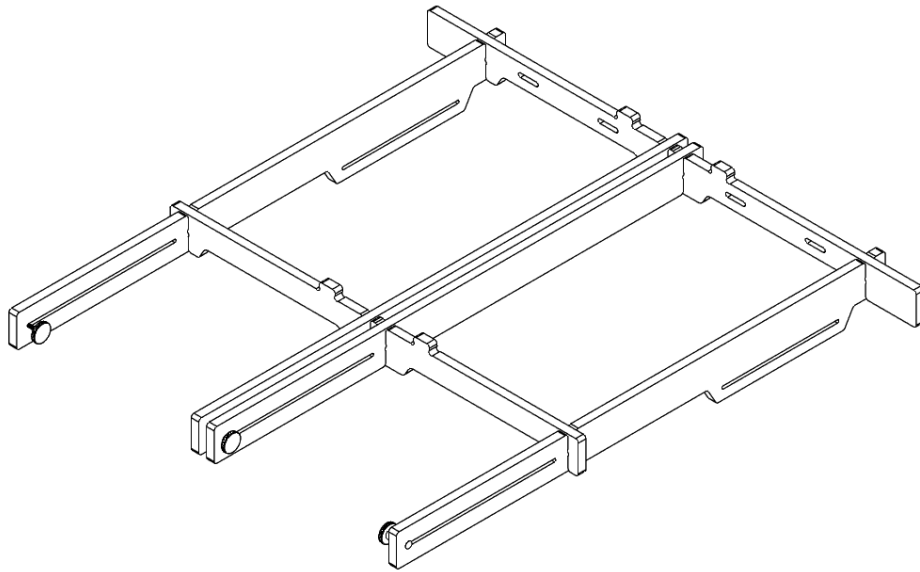


Identify all components listed below and verify they are in operable condition before use.

Table 1. Trunk Section Parts List.

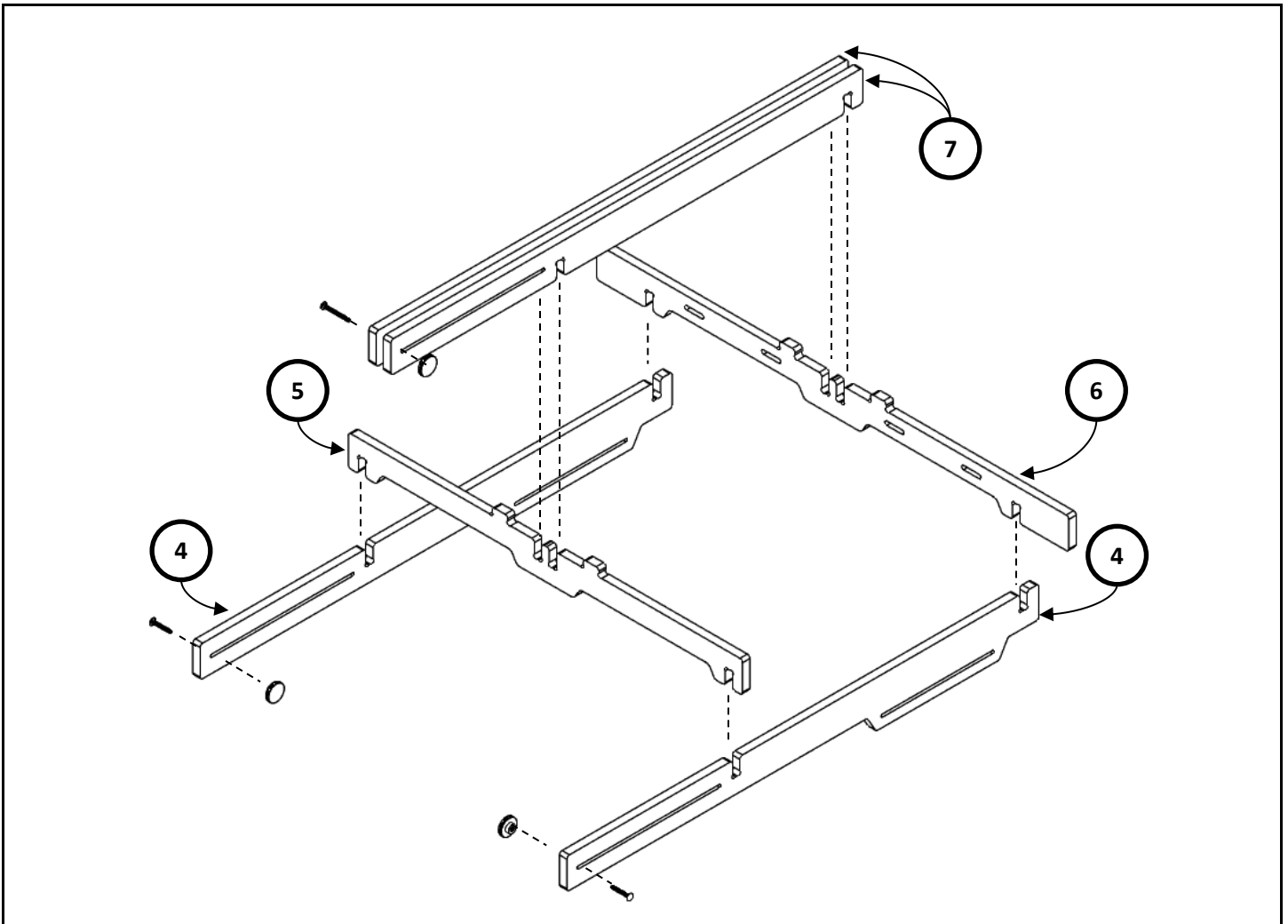


Rear Seat Section

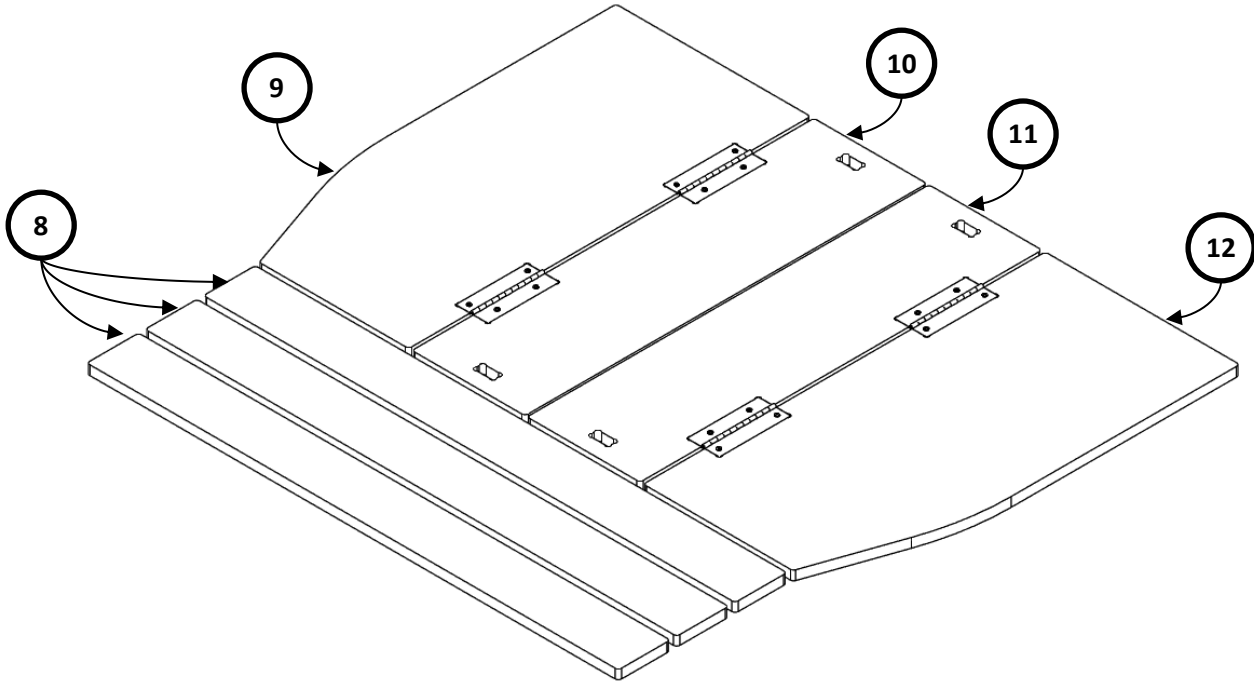


Identify all components listed below and verify they are in operable condition before use.

Table 2. Rear Seat Section Parts List.

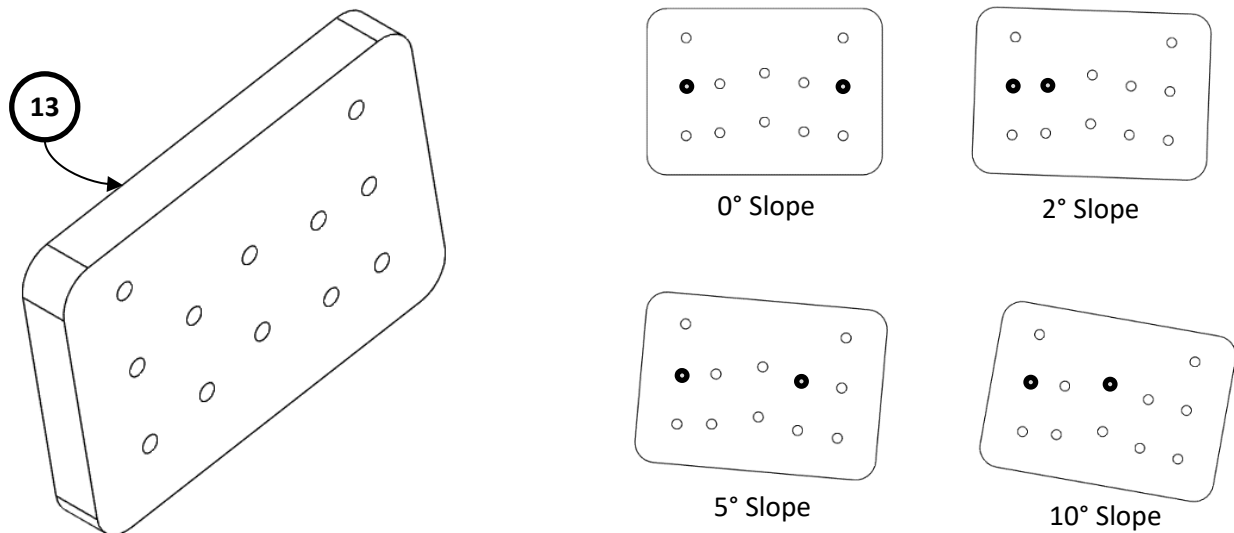


Wings, Front Boards, and Slats



Identify the Wings (9 and 12) and Front Subassembly Boards (10 and 11) and verify they are in operable condition before use.

Front Support

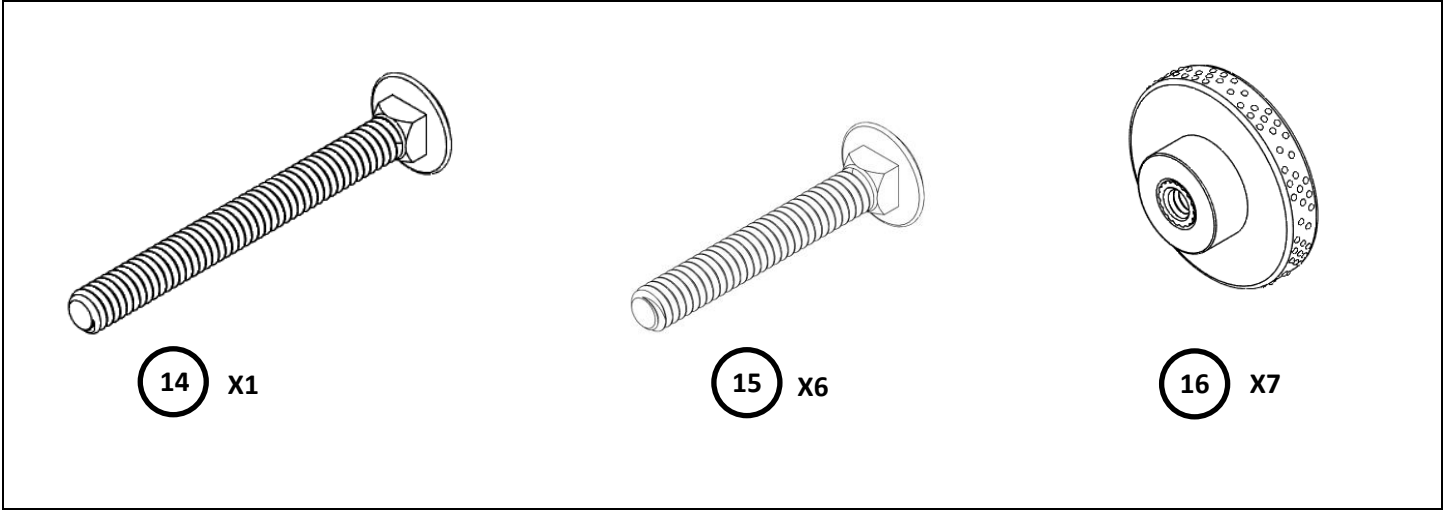


Identify the Front Supports (13) and verify they are in operable condition before use.

Additional Fasteners

Identify all the components listed below and verify the proper count and that they are in operable condition before use.

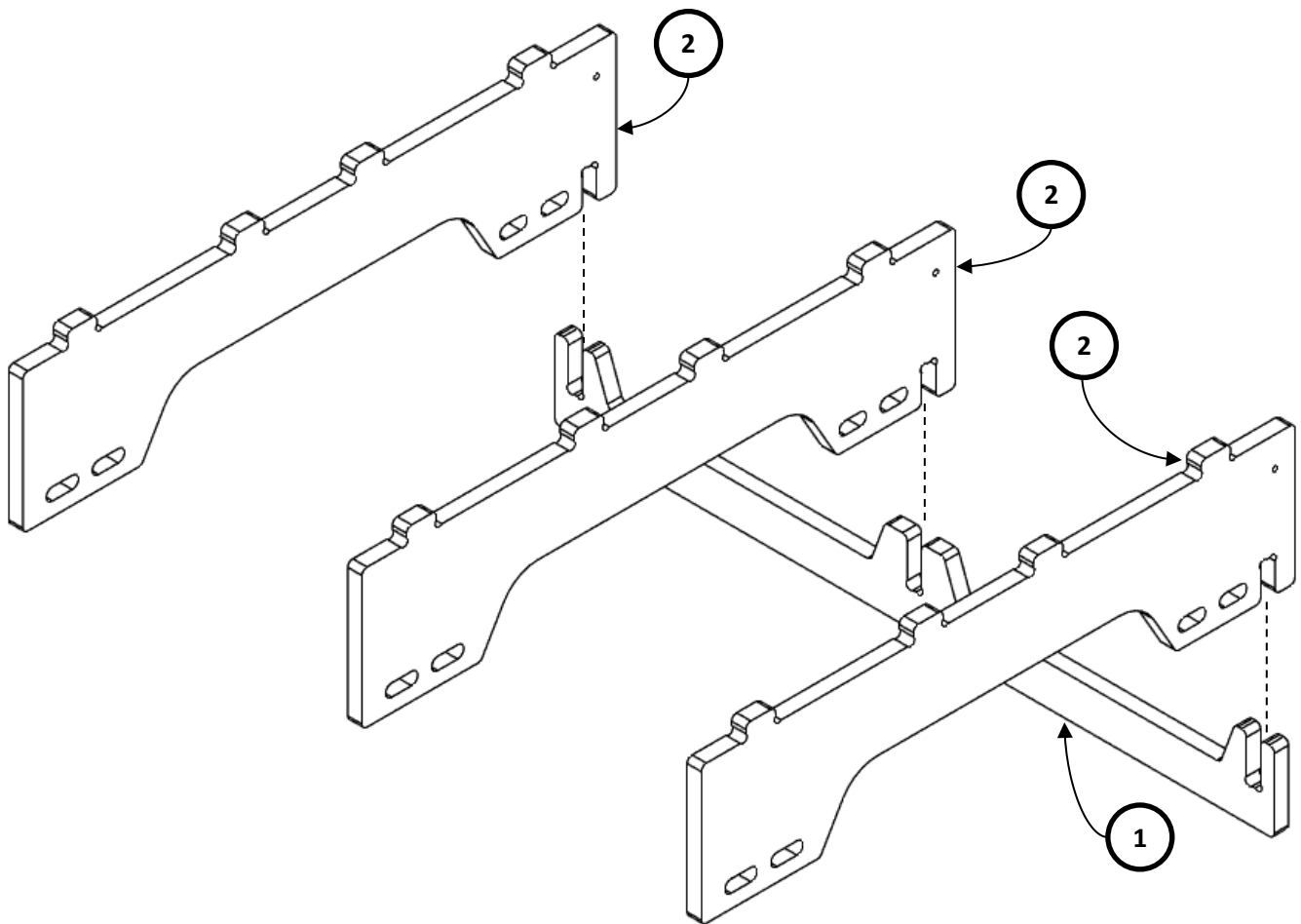
Table 3. Fastener List.



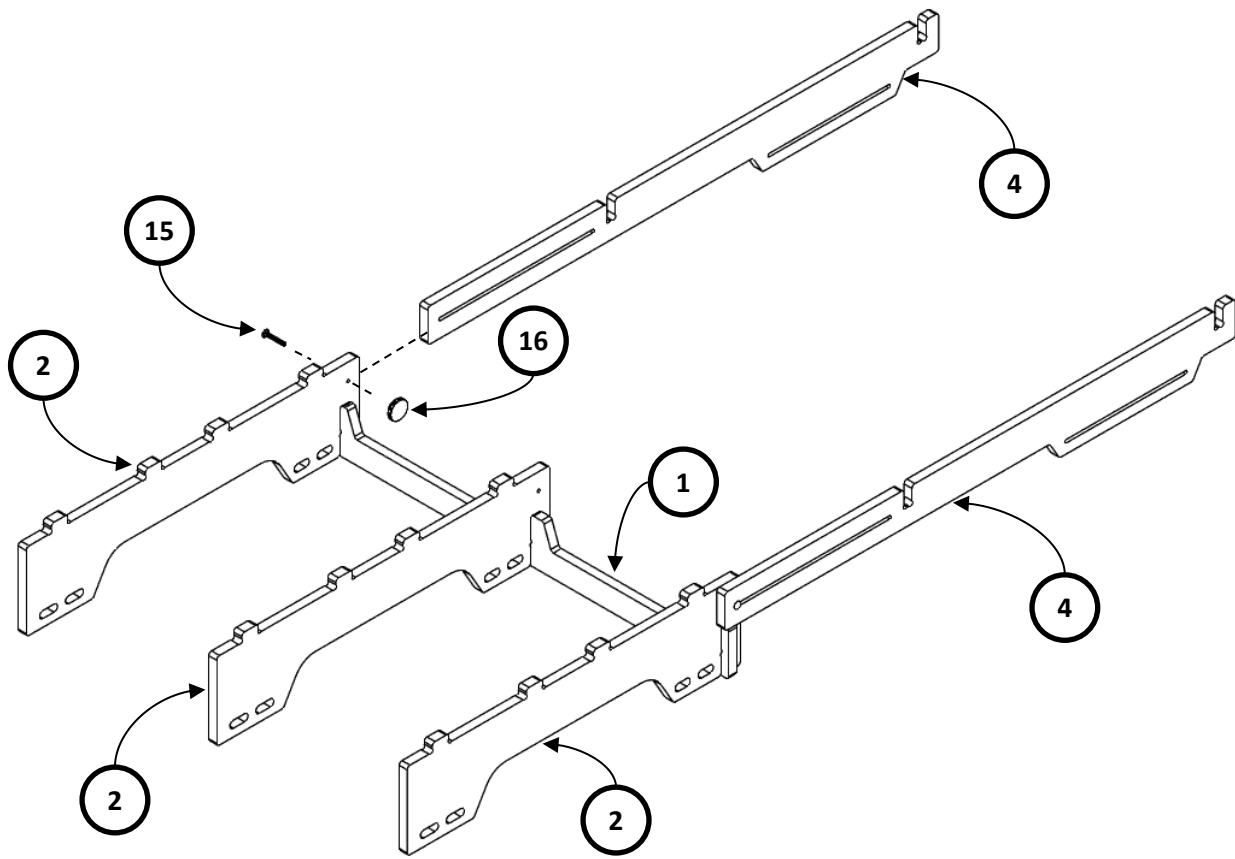
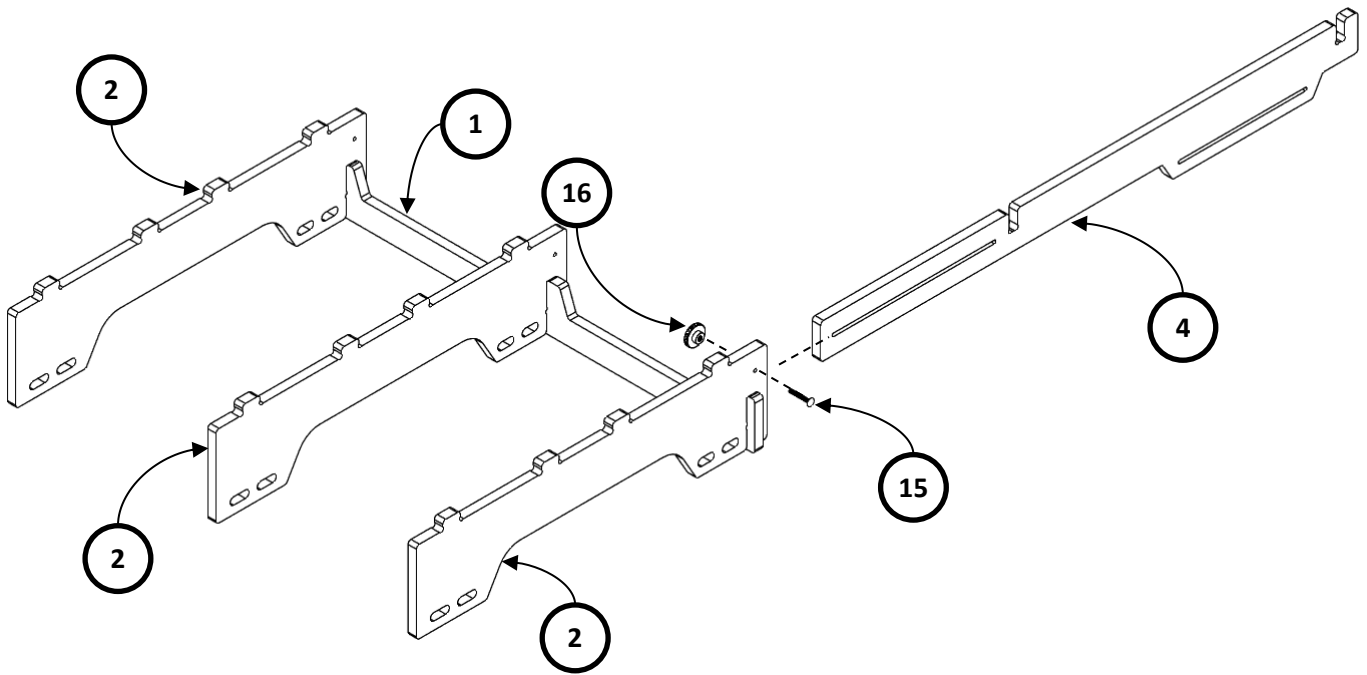
Assembly Instructions

Frame Assembly

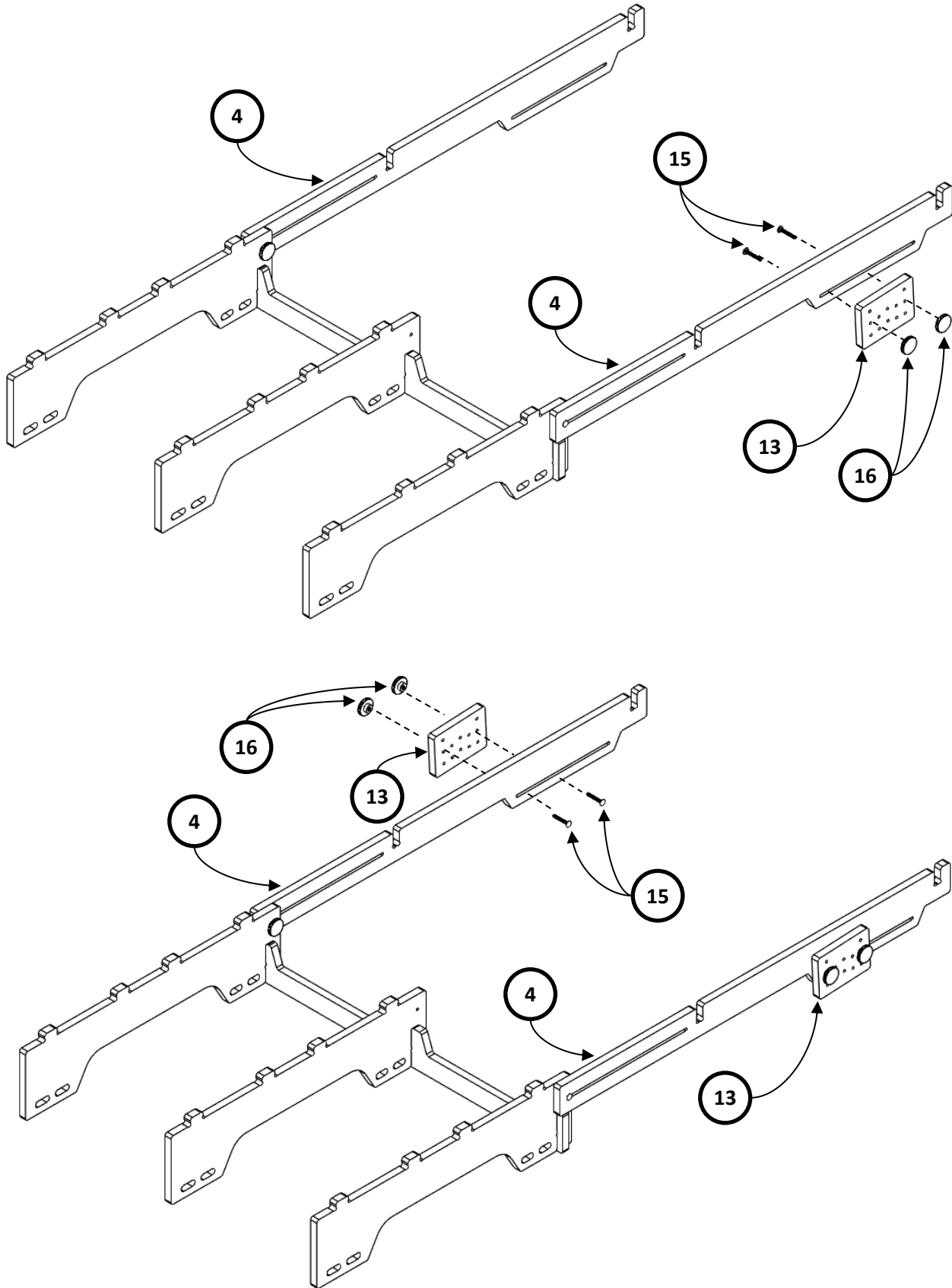
1. Prepare Material and Assembly Site
 - a. Identify the parts in Table 1 and Table 2 and verify that each piece is clean and in operable condition.
 - b. Lower the rear seats of the vehicle and clear out the trunk. Ensure the space is free of objects to provide an easier installation.
2. Assemble the Trunk Section Frame.



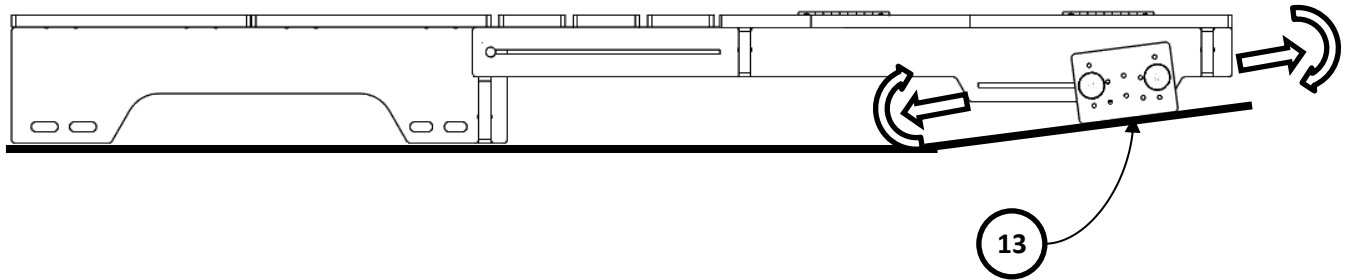
3. Attach the Seat Section Frame to the Trunk Section.



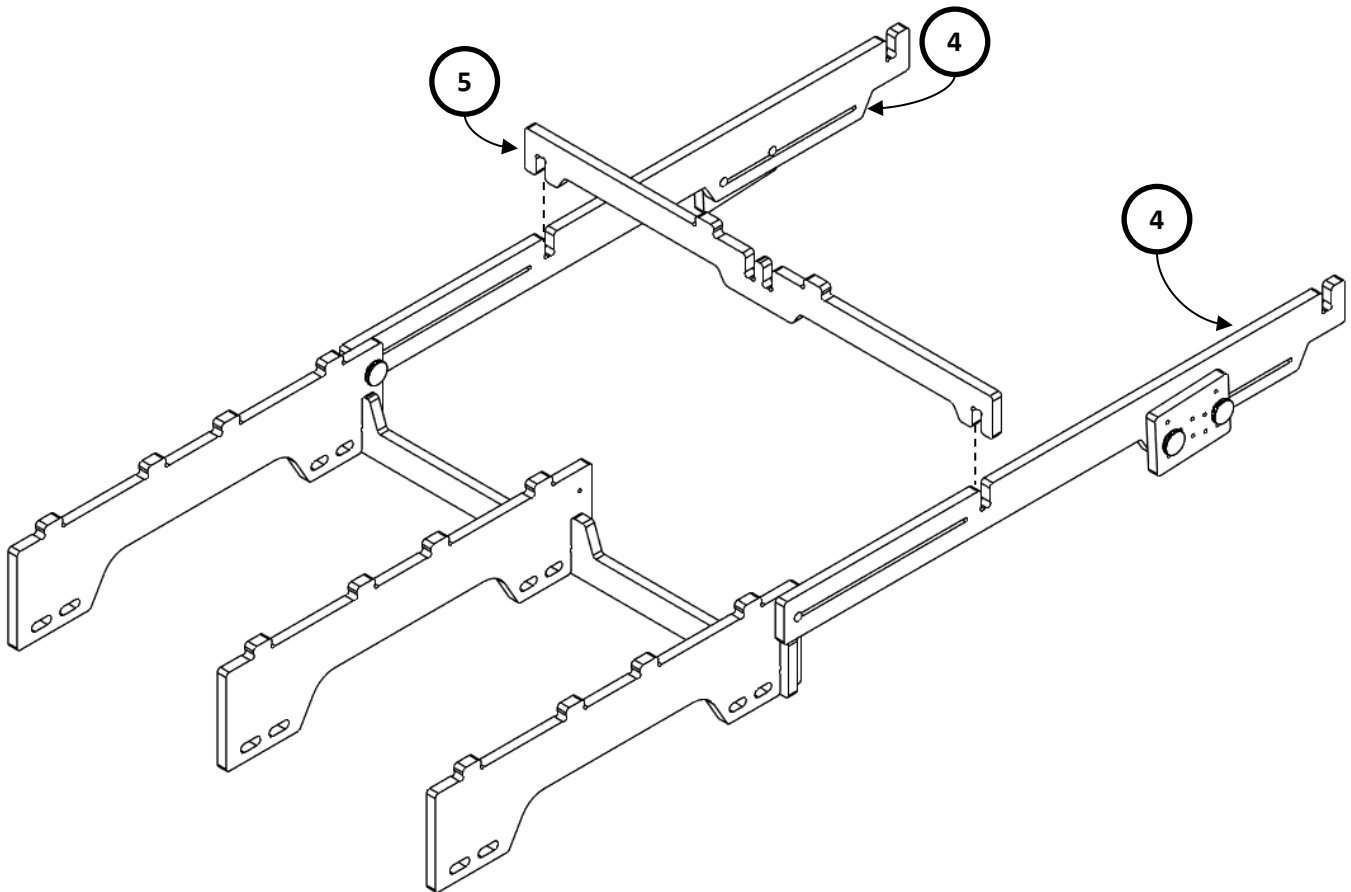
4. Install Front Supports.

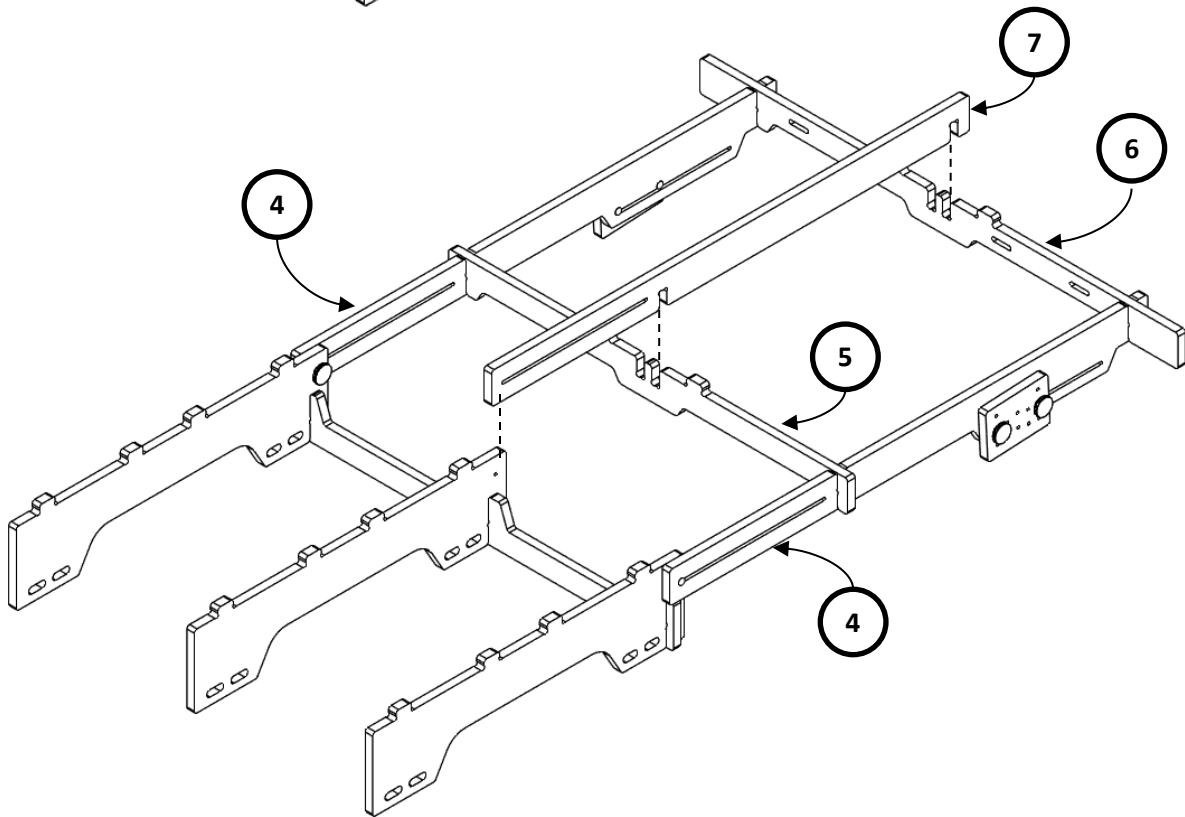
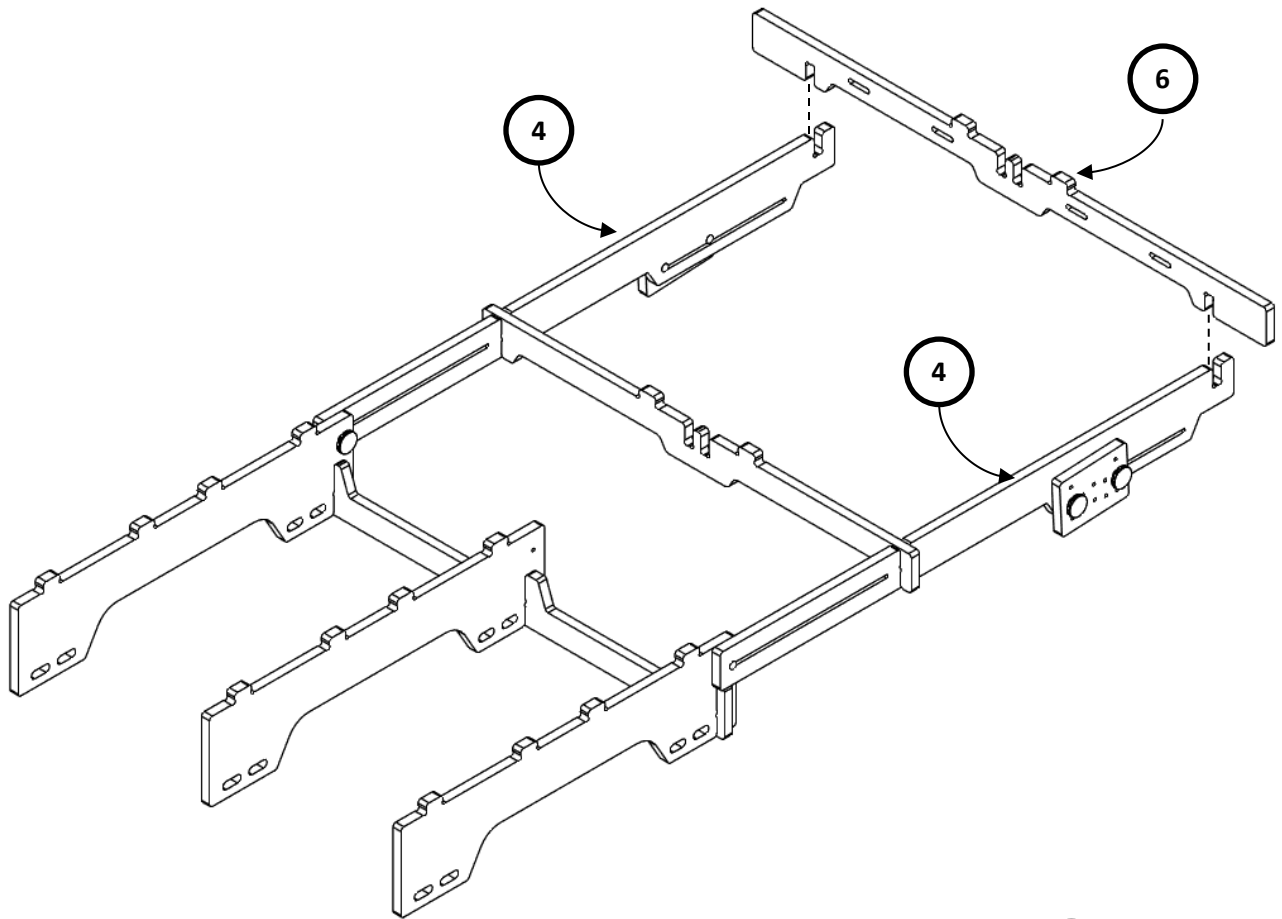


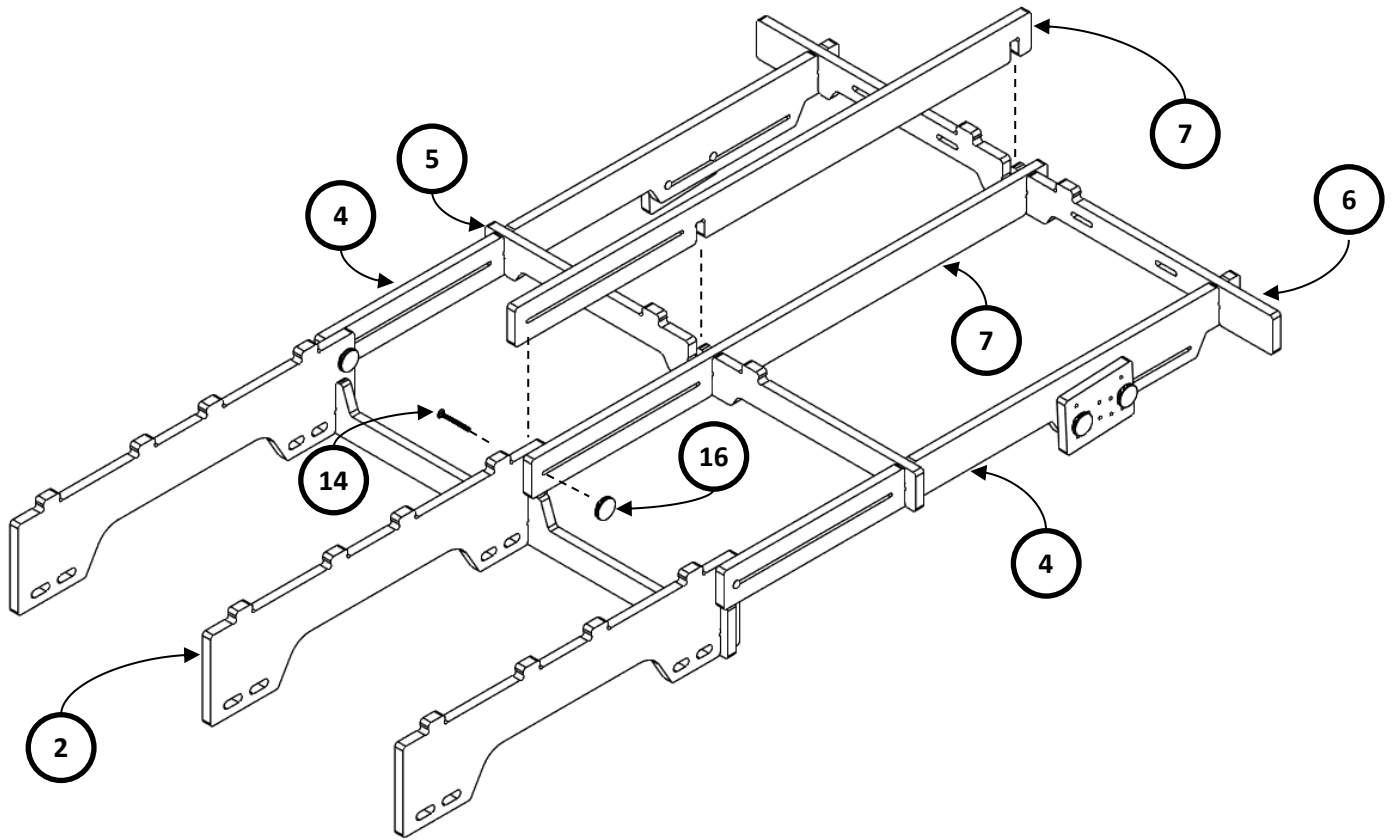
5. Adjust Front Supports to make frame flat.
 - a. The Front Supports (13) can be adjusted to accommodate various degrees of flatness when the rear seats of the vehicle are folded down. See Page 7 for the pin combination to support a 0°, 2°, 5°, and 10° slope. (13) can slide forward and backward and pivot to accommodate gaps of 4.5" to 7".



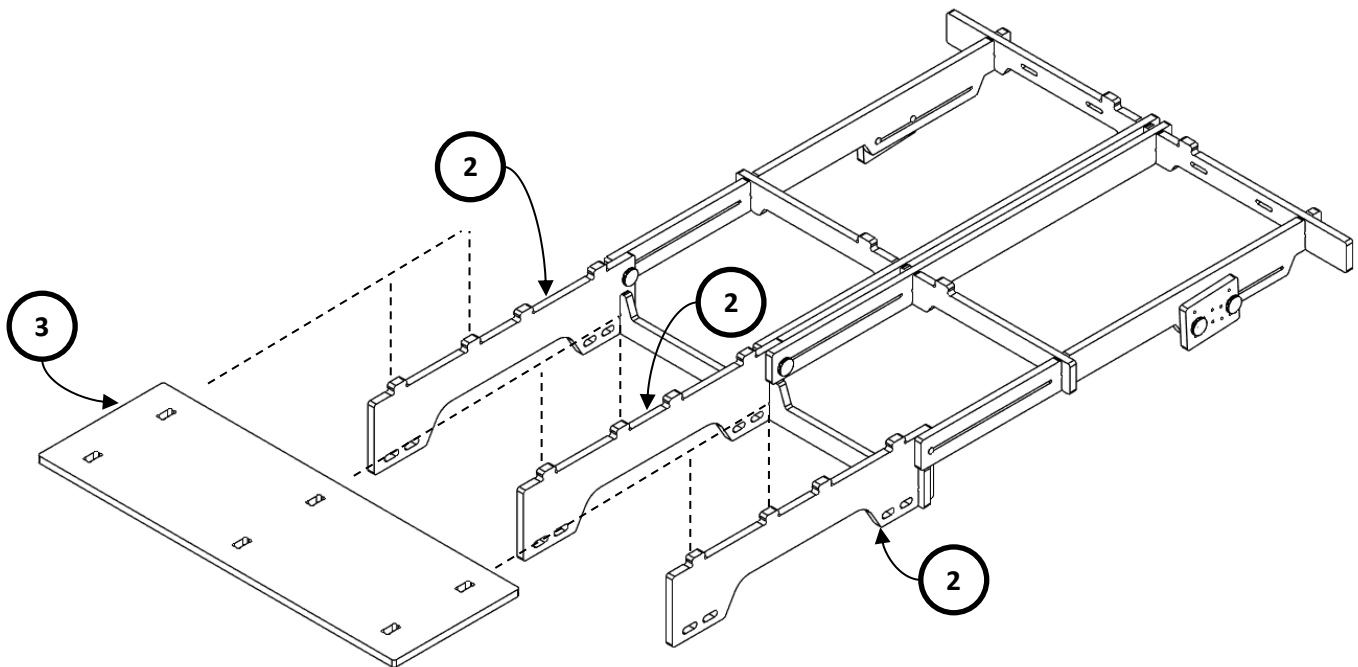
6. Assemble the Seat Section Frame.

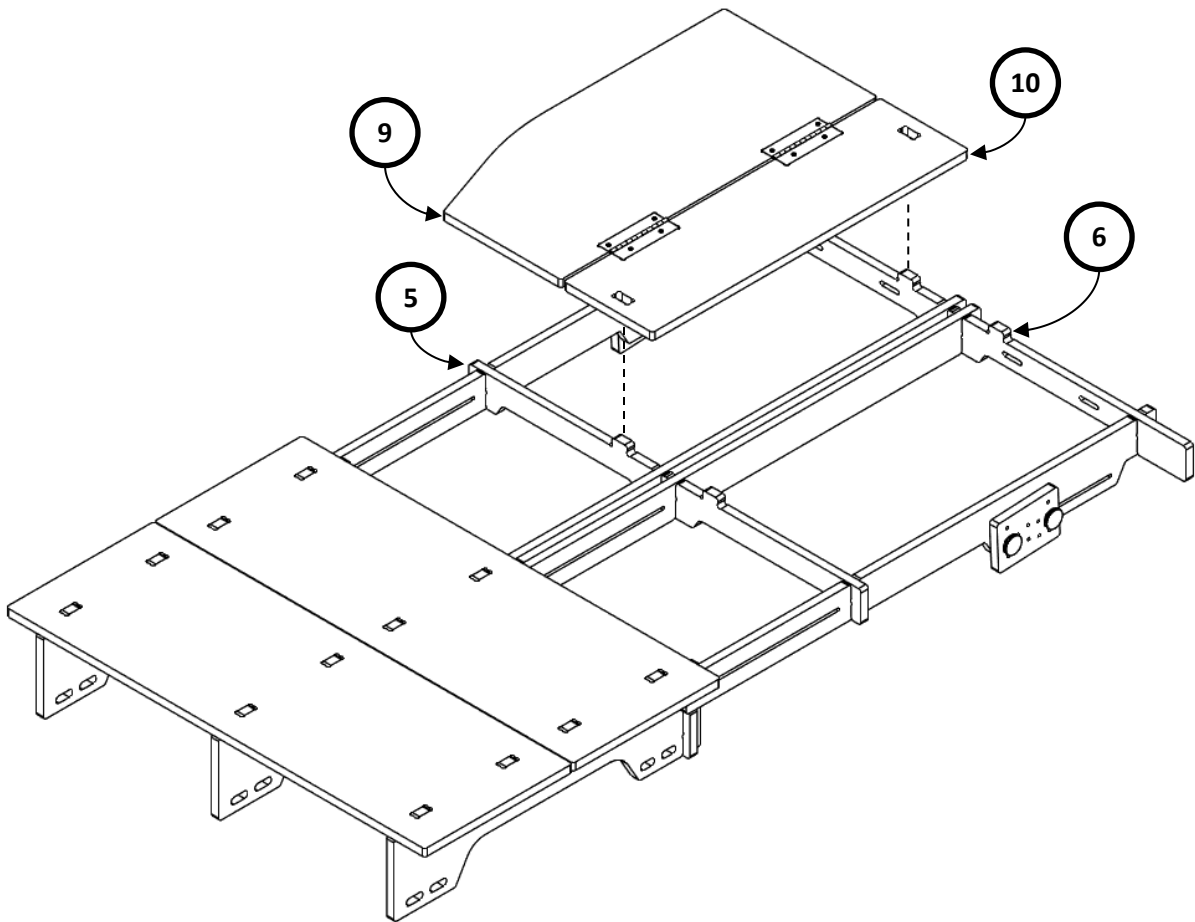
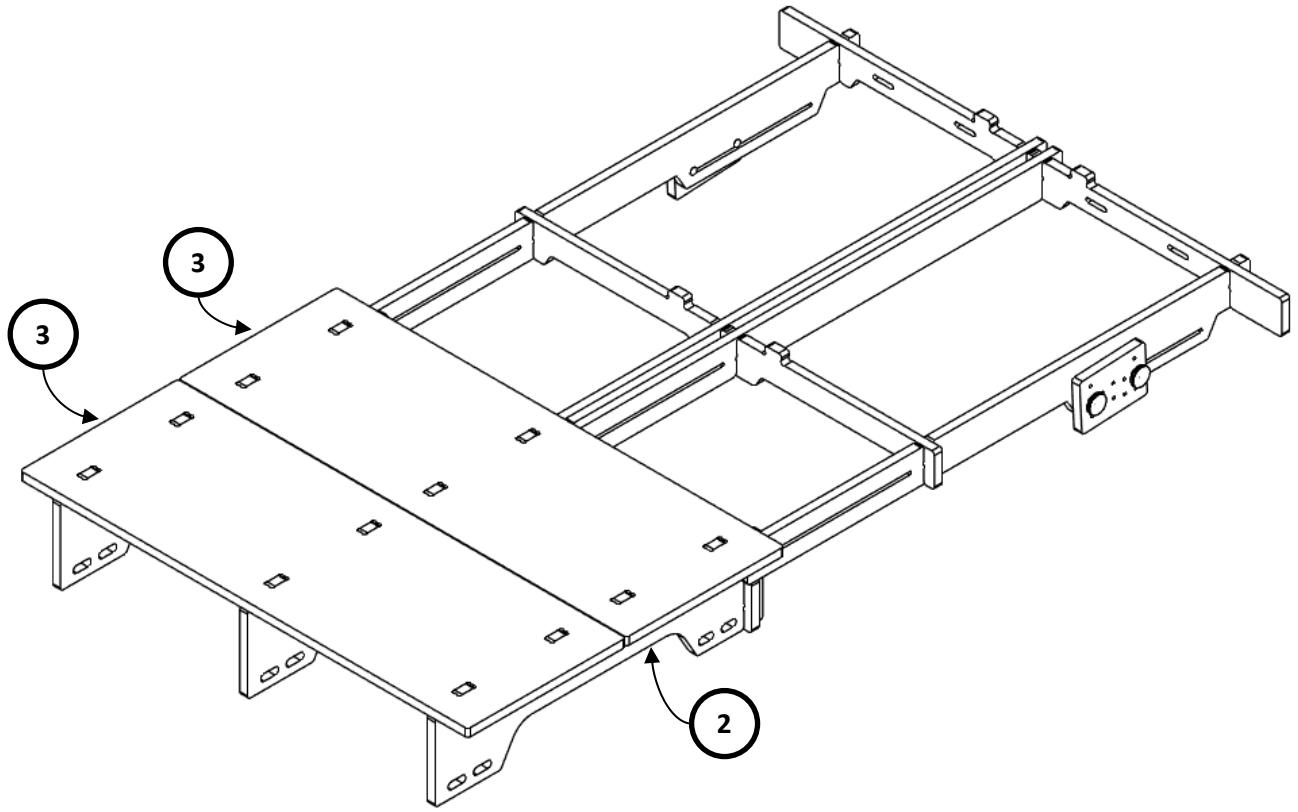


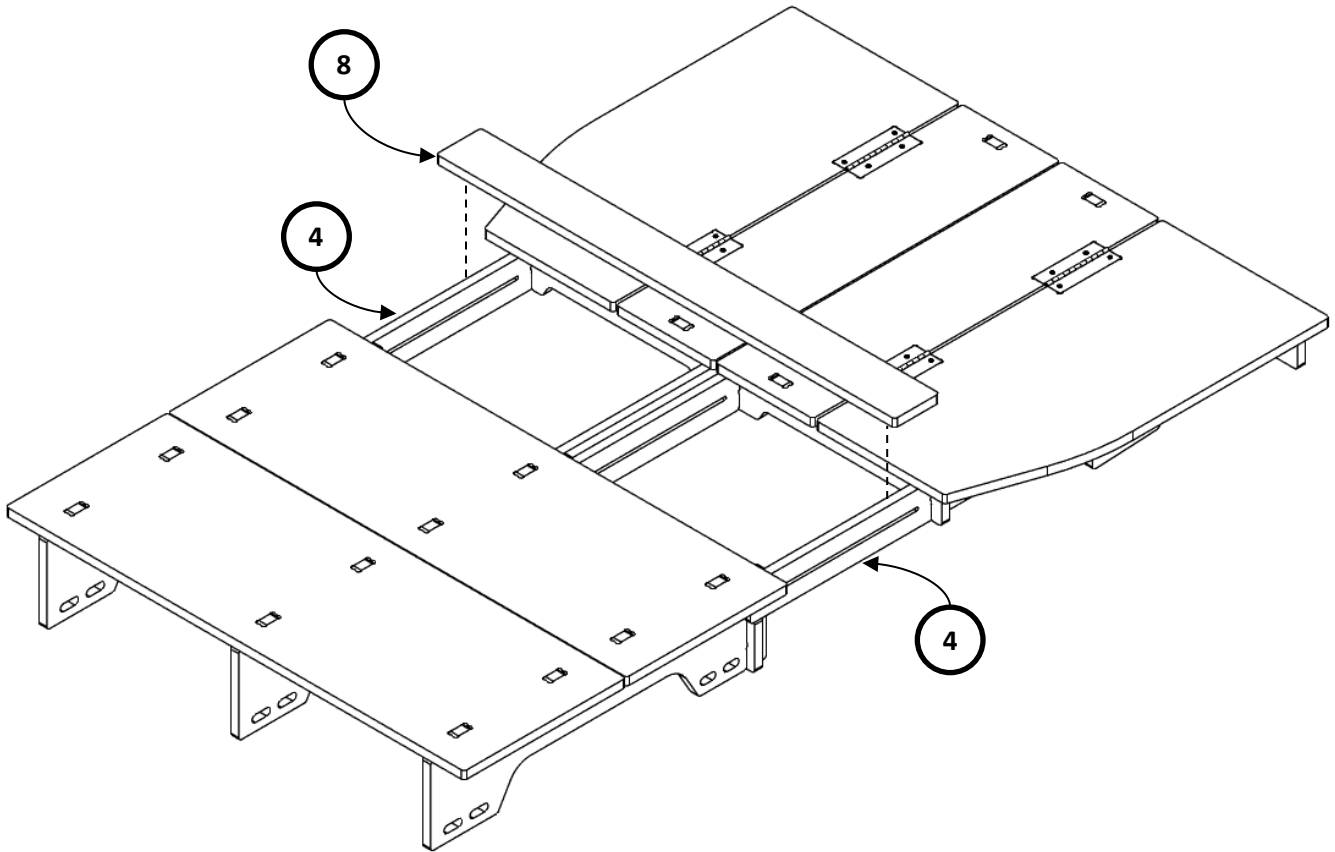
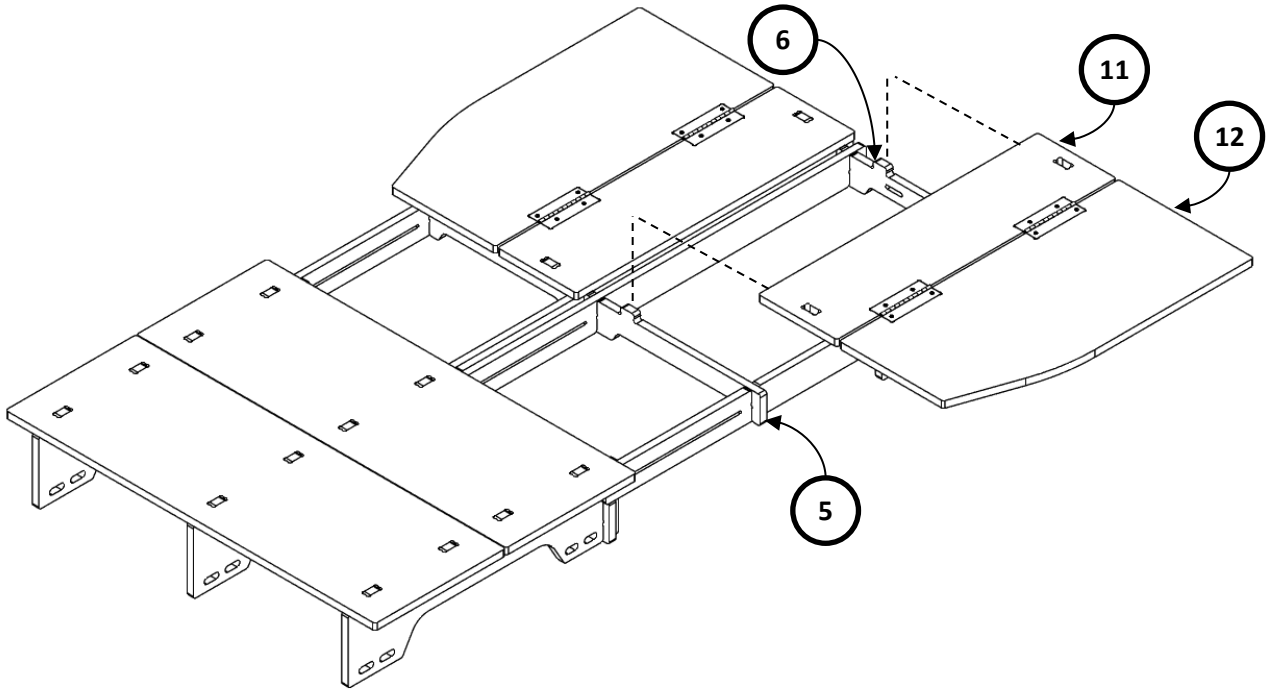


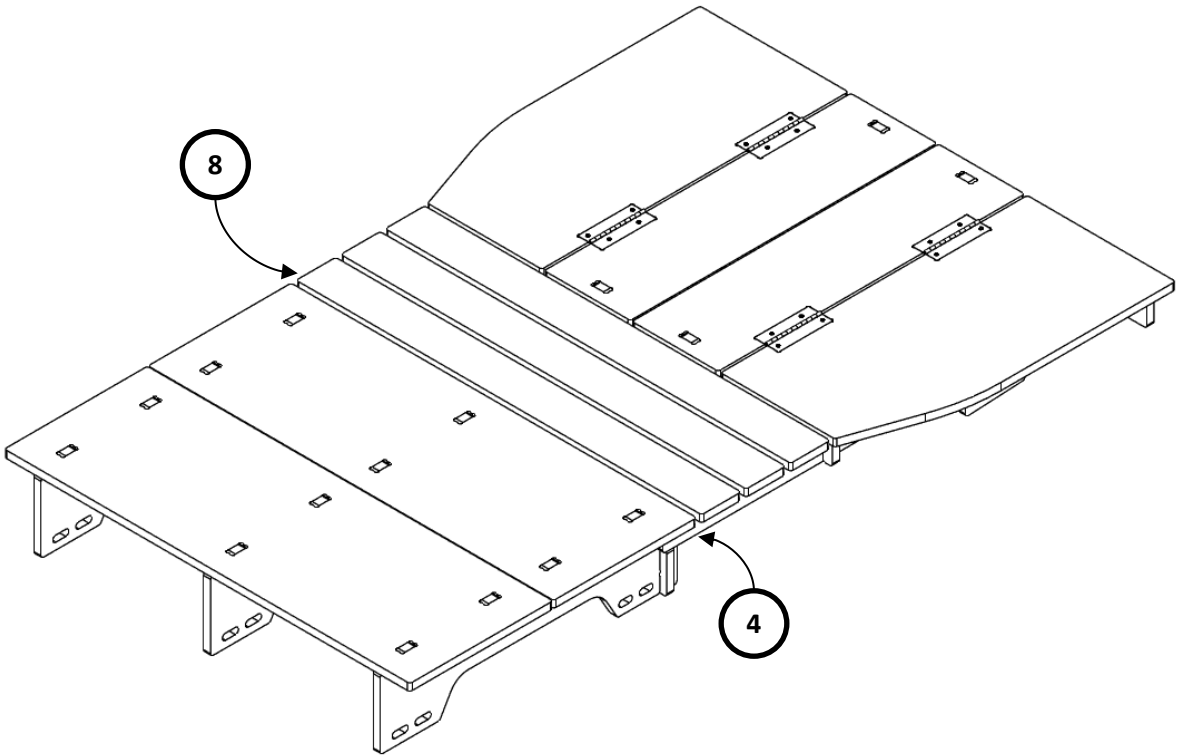
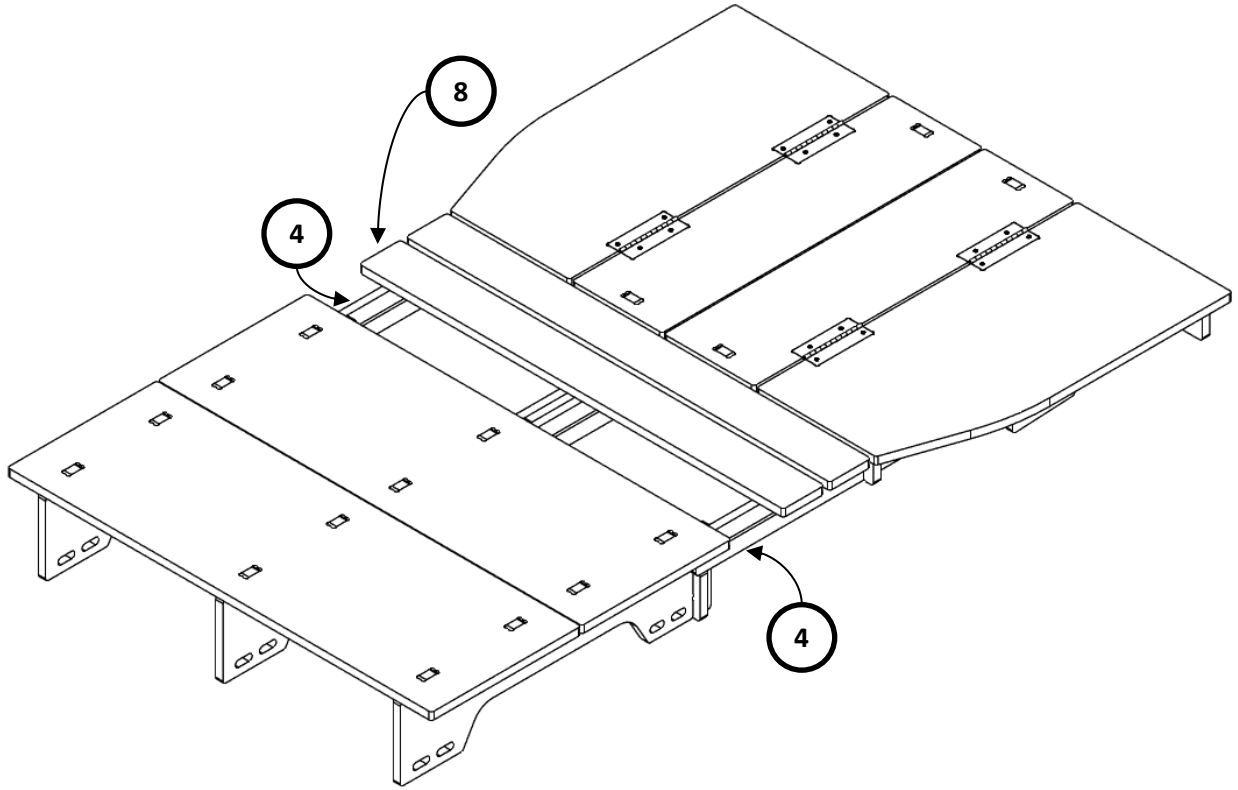


7. Assemble surfaces of the Sleeping Platform.









Installation Inspection

IMPORTANT: Ensure the vehicle is in park, on stable ground, and away from traffic. Always consider the surroundings before assembling this product. The following steps will instruct how to inspect the product after installation.

1. Assembly Inspection

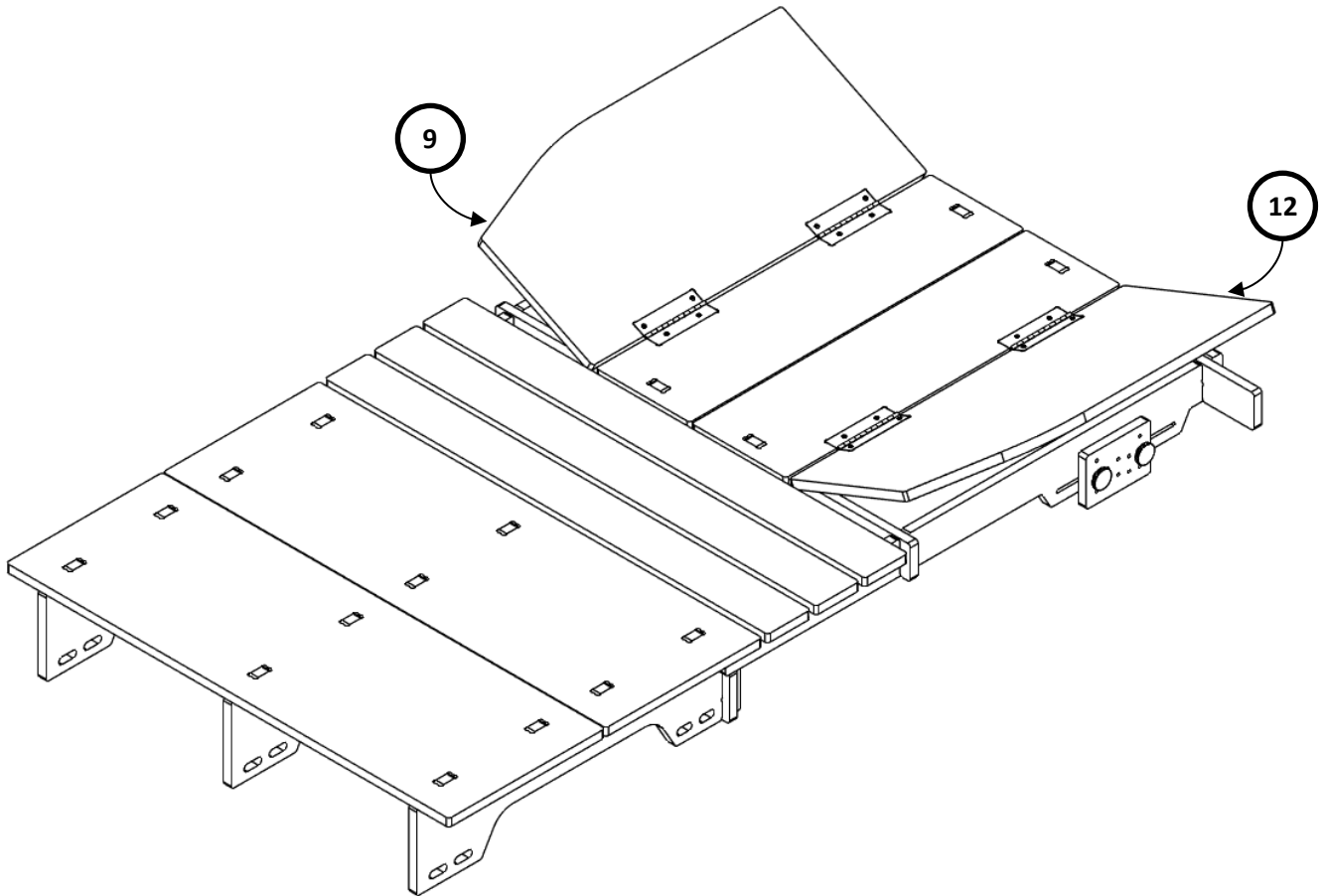
- a. After the Sleeping Platform is fully assembled and installed inside the vehicle, before closing any doors or using the product, it is important to verify that everything is working properly, located appropriately within the vehicle, and securely connected.
- b. Inspect all the connections and ensure they are tight and secure.
- c. Inspect the Front Support to verify the pins are fully engaged, the Front Support is making full contact with the folded down rear seats, and is on a solid part of the folded down seats.
- d. Inspect the hinges of the Wings to ensure everything is secured and pivoting appropriately.

2. Product Alignment

- a. Once the assembly is inspected, ensure the sleeping platform is at the appropriate length and the Front Supports are in the proper location.
- b. Extend or contract the Sleeping Platform to the desired length to accommodate your height and/or the vehicle's dimensions. Once this is done, ensure that the rear corners of the Trunk Section are not going to make contact with the hatch when the hatch is closed. The whole system may have to be moved towards the front to avoid hatch impact.
- c. The Sleeping Platform frame should all be positioned flat in the trunk of the vehicle. No Trunk Section frame components should be on the incline of the folded down rear seats.
- d. Verify the Front Supports are in a proper location to support the Wings and the Seat Section. Do not have the Front Supports too far forward that they may slip off the back seats.
- e. The Sleeping Platform may not be "level", but it should be roughly parallel to the trunk floor and comfortable to lay on.

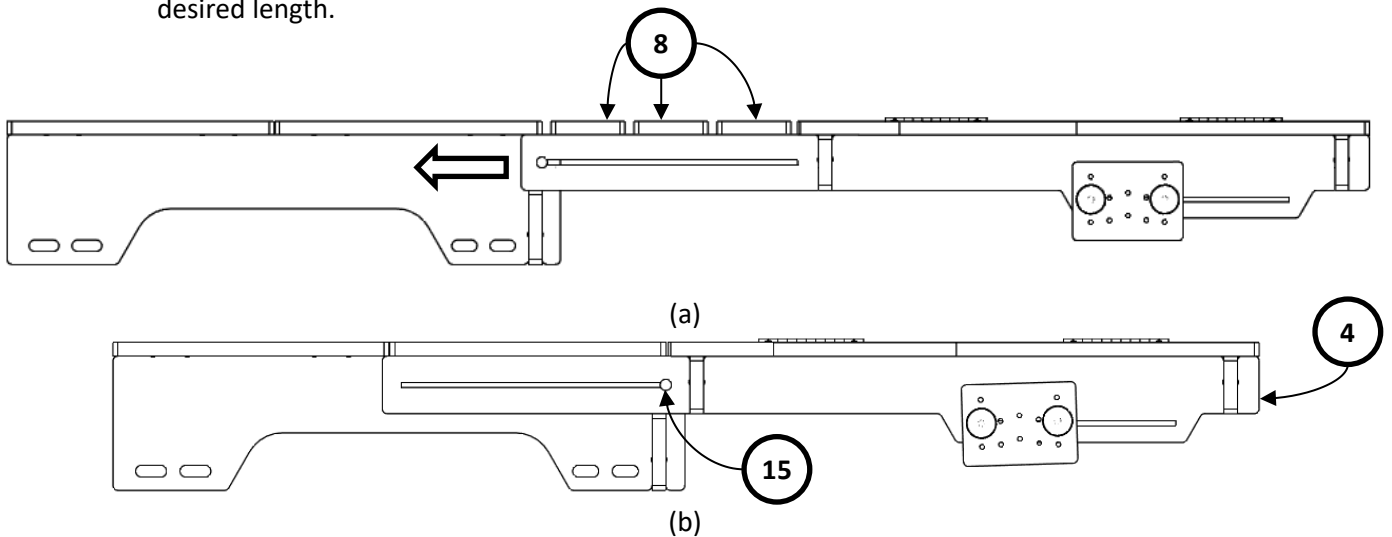
3. Wing Movement

- a. Verify that both the driver-side (9) and passenger-side (12) wings pivot properly about the hinges. Ensure there is no binding and that the storage space below the platform is accessible.



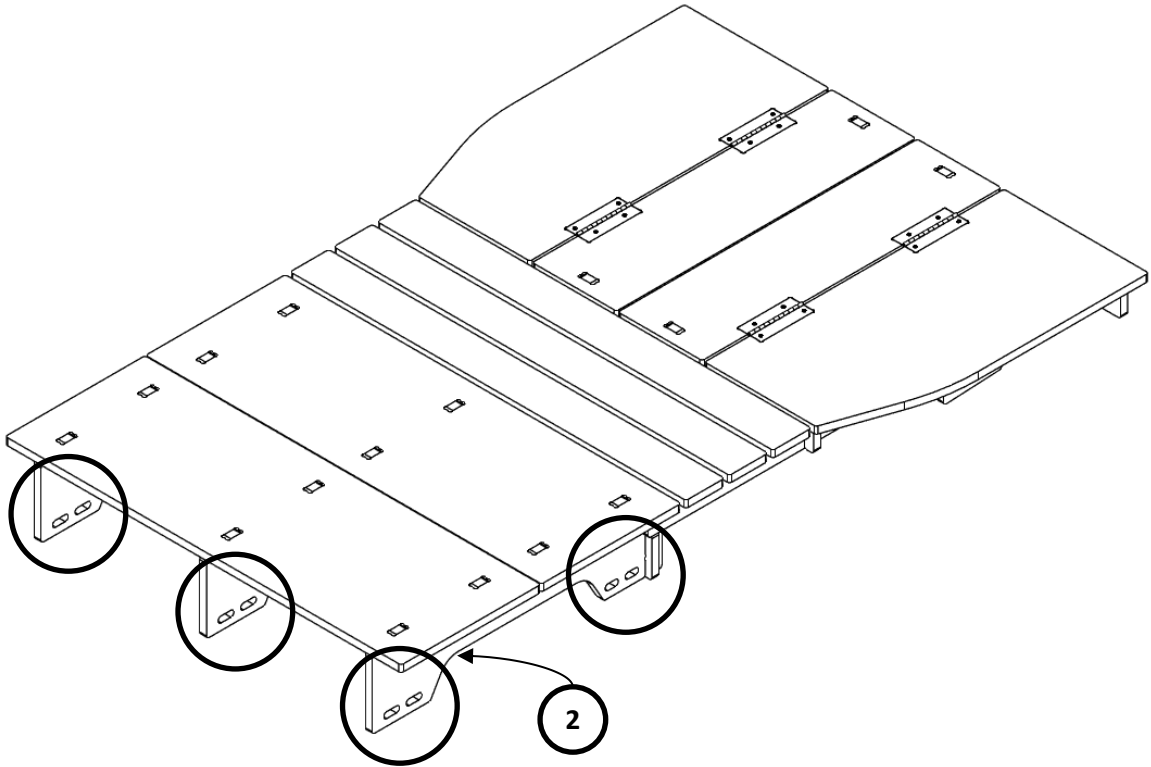
4. Length Adjustment

- a. Remove the slats (8) to adjust the overall length of the Sleeping Platform. Remove the slats from the velcro strips, loosen the bolt (15) and knob (16) to slide the Seat Section forward and backwards to the desired length.



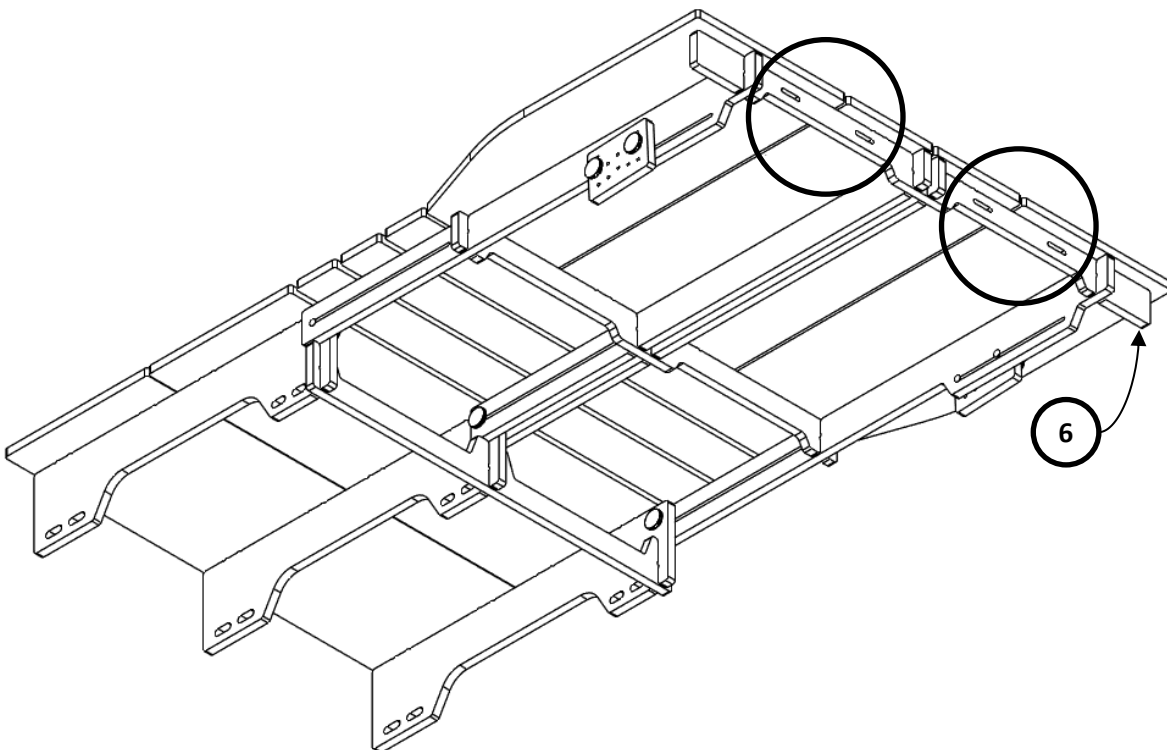
5. Frame Tie Downs

- a. Use the slots in the Trunk Section on (2) to secure the Sleeping Platform frame to areas in the vehicle.



6. Frame Accessory Slots

- a. Use the slots on (6) to attach car camping accessories.



Disassembly and Storage

IMPORTANT: Ensure the vehicle is in park, on stable ground, and away from traffic. Always consider the surroundings before disassembling this product. The following steps will instruct how to disassemble the product.

1. Disassembling the Sleeping Platform
 - a. The Sleeping Platform can be disassembled in the opposite order of its assembly. During disassembly, ensure not to misplace any bolts and knobs and inspect all connection points for significant wear or failure.
 - b. Depending on the size of the vehicle and driver, the Sleeping Platform does not need to be disassembled during driving. It is up to the driver's discretion to drive with the Sleeping Platform assembled and installed.
 - c. The Sleeping Platform is able to be partially disassembled and stored in the trunk of the vehicle with the rear seats raised into position to allow for rear passengers. Partial disassembly includes removing all components that are over the rear seats.

Customer Notes

Warranty

CarToCamp Sleeping Platform

Limited One Year Warranty

Proof of the original purchase date is needed to obtain service under the warranty.

Limitation of Damages

In no event shall CarToCamp be liable for consequential damages for breach of this warranty. Some States do not allow the exclusion or limitation of incidental or consequential damages, so the limitation or exclusion may not apply to the buyer.

What is Covered

This warranty covers any defects in materials or workmanship of the product, with the exceptions stated below.

How Long Coverage Lasts

This limited warranty runs for one year from the date the product was ordered. This warranty extends to the original buyer or any successive buyer within the warranty period.

What is not Covered

This warranty does not apply to any costs, repairs, or services for the following:

1. Minor aesthetic abnormalities due to natural occurrences in materials used, such as naturally occurring knots in the wood.
2. Product fading, discoloration, and/or wear caused by normal use and environmental conditions.
3. Repairs necessitated by use other than normal use outlined in the Owner's Manual.
4. Damage resulting from misuse, abuse, accidents, alterations, neglect, or improper installation.

What CarToCamp Will Do

CarToCamp will replace any components or assemblies that prove to be defective in materials or workmanship at no charge. Any component or assembly that is damaged or broken during the use of the product outlined in this Owner's Manual within one year will be replaced. All warranty repairs and service must be performed by the purchaser. All expenses related to replacing or repairing a defective part under this warranty shall be assumed by CarToCamp.

How To Get Service

Contact CarToCamp at info@cartocamp.com or Visit the Website at <https://www.cartocamp.com> to submit a request. A CarToCamp representative will be in contact with you and discuss the warranty and repair options.

How State Law Applies

This warranty gives you specific legal rights, and you may also have other rights which vary from state to state.

CarToCamp, Orion Outdoors, LLC,
Birdsboro, PA 19508

Customer Support

CarToCamp Website

Have a question or need assistance with your product? Try the CarToCamp Website and reach out to the Customer Service team. <https://www.cartocamp.com>

Parts and Accessories

Individuals qualified to service their own product can have parts or accessories sent directly to their homes. Order by contacting support at info@cartocamp.com.

Instructions contained in this manual cover procedures to be performed by any user. Other servicing generally should be referred to qualified service personnel. Caution must be exercised, since improper servicing may cause unsafe operation.

Contact Us

Additional comments, questions, or concerns, please contact us

If you are not satisfied with the service you receive from CarToCamp, contact us on our website with all the details including your phone number, or email to:

info@cartocamp.com

<https://www.cartocamp.com/pages/contact-us>