



HG123_48 Reindeer Base Connector
2.10 X 1.22 in.
53.34 X 30.99 mm
3,800 St. **S**



HG124_48 Reindeer Middle Connector
2.08 X 2.69 in.
52.83 X 68.33 mm
8,039 St.



HG125_48 Reindeer 1 Side A
3.88 X 4.35 in.
98.55 X 110.49 mm
18,822 St.



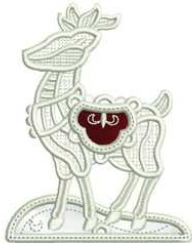
HG126_48 Reindeer 1 Side B
3.88 X 4.35 in.
98.55 X 110.49 mm
18,801 St.



HG127_48 Reindeer 2 Side A
3.81 X 4.31 in.
96.77 X 109.47 mm
17,392 St.



HG128_48 Reindeer 2 Side B
3.81 X 4.31 in.
96.77 X 109.47 mm
17,409 St.



HG129_48 Reindeer 3 Side A
3.36 X 4.30 in.
85.34 X 109.22 mm
15,901 St.



HG130_48 Reindeer 3 Side B
3.36 X 4.30 in.
85.34 X 109.22 mm
15,579 St.



HG131_48 Sleigh Floor
3.89 X 6.66 in.
98.81 X 169.16 mm
24,286 St. **L**



HG132_48 Sleigh Side A
4.60 X 4.03 in.
116.84 X 102.36 mm
21,884 St.



HG133_48 Sleigh Side B
4.60 X 4.03 in.
116.84 X 102.36 mm
21,887 St.



HG134_48 Blank Square
4.42 X 4.41 in.
112.27 X 112.01 mm
33,935 St.



HG135_48 A Square
4.42 X 4.41 in.
112.27 X 112.01 mm
35,507 St.



HG136_48 C Square
4.42 X 4.41 in.
112.27 X 112.01 mm
35,164 St.



HG137_48 E Square
4.42 X 4.41 in.
112.27 X 112.01 mm
35,744 St.



HG138_48 J Square
4.42 X 4.41 in.
112.27 X 112.01 mm
35,356 St.



HG139_48 L Square
4.42 X 4.41 in.
112.27 X 112.01 mm
35,382 St.



HG140_48 N Square
4.42 X 4.41 in.
112.27 X 112.01 mm
35,878 St.



HG141_48 O Square
4.42 X 4.41 in.
112.27 X 112.01 mm
35,541 St.



HG142_48 P Square
4.42 X 4.41 in.
112.27 X 112.01 mm
35,557 St.

Design contains a loose fill.
Some white areas shown are not stitched.

L Design is larger than 5" (127 mm) in either direction.
S Design is smaller than 1.5" (38.1 mm) in either direction.



HG143_48 Y Square
 4.42 X 4.41 in.
 112.27 X 112.01 mm
 35,332 St.



HG144_48 Wreath Center
 6.18 X 3.91 in.
 156.97 X 99.31 mm
 25,720 St. **L**



HG145_48 Wreath
 6.94 X 3.20 in.
 176.28 X 81.28 mm
 27,103 St. **L**

Design contains a loose fill.
 Some white areas shown are not stitched.

L Design is larger than 5" (127 mm) in either direction.
S Design is smaller than 1.5" (38.1 mm) in either direction.

Listings below indicate color sample, stitching order and suggested thread color number, Yenmet or YLI Variegated threads.

HG123_48 Reindeer Base Connector
 1. Cover Stitches..... 0015
 2. Cover Stitch Linework.... 7009

HG124_48 Reindeer Middle Connector
 1. Placement Stitch..... 0015
 2. Cut Line and Tackdown. 0015
 3. Inner Designs..... 0015
 4. Nodes..... 0015
 5. Cover Stitches..... 0015
 6. Cover Stitch Linework.... 7009

HG125_48 Reindeer 1 Side A
 1. Top Placement Stitch.... 0015
 2. Cut Line and Tackdown. 0015
 3. Bottom Placement Stitch..... 0015
 4. Cut Line and Tackdown. 0015
 5. Inner Designs..... 0015
 6. Cover Stitch Linework.... 7009

HG126_48 Reindeer 1 Side B
 1. Top Placement Stitch.... 0015
 2. Cut Line and Tackdown. 0015
 3. Bottom Placement Stitch..... 0015
 4. Cut Line and Tackdown. 0015
 5. Inner Designs..... 0015
 6. Cover Stitch Linework.... 7009

HG127_48 Reindeer 2 Side A
 1. Top Placement Stitch.... 0015
 2. Cut Line and Tackdown. 0015
 3. Bottom Placement Stitch..... 0015
 4. Cut Line and Tackdown. 0015
 5. Inner Designs..... 0015
 6. Cover Stitch Linework.... 7009

HG128_48 Reindeer 2 Side B
 1. Top Placement Stitch.... 0015
 2. Cut Line and Tackdown. 0015
 3. Bottom Placement Stitch..... 0015
 4. Cut Line and Tackdown. 0015
 5. Inner Designs..... 0015
 6. Cover Stitch Linework.... 7009

HG129_48 Reindeer 3 Side A
 1. Top Placement Stitch.... 0015
 2. Cut Line and Tackdown. 0015
 3. Bottom Placement Stitch..... 0015
 4. Cut Line and Tackdown. 0015
 5. Inner Designs..... 0015
 6. Cover Stitch Linework.... 7009

HG130_48 Reindeer 3 Side B
 1. Top Placement Stitch.... 0015
 2. Cut Line and Tackdown. 0015
 3. Bottom Placement Stitch..... 0015
 4. Cut Line and Tackdown. 0015
 5. Inner Designs..... 0015
 6. Cover Stitch Linework.... 7009

HG131_48 Sleigh Floor
 1. Placement Stitch..... 0015
 2. Cut Line and Tackdown. 0015
 3. Inner Designs..... 0015
 4. Nodes..... 0015
 5. Cover Stitches..... 0015
 6. Cover Stitch Linework.... 7009

HG132_48 Sleigh Side A
 1. Top Placement Stitch.... 0015
 2. Cut Line and Tackdown. 0015
 3. Bottom Placement Stitch..... 0015
 4. Cut Line and Tackdown. 0015
 5. Inner Design..... 0015
 6. Cover Stitches..... 0015
 7. Cover Stitch Linework.... 7009

HG133_48 Sleight Side B
 1. Top Placement Stitch.... 0015
 2. Cut Line and Tackdown. 0015
 3. Bottom Placement Stitch..... 0015
 4. Cut Line and Tackdown. 0015
 5. Inner Design..... 0015
 6. Cover Stitches..... 0015
 7. Cover Stitch Linework.... 7009

HG134_48 Blank Square
 1. Placement Stitch..... 0015
 2. Cut Line and Tackdown. 0015
 3. Inner Design..... 0015
 4. Cover Stitches..... 0015
 5. Cover Stitch Linework.... 7009

HG135_48 A Square
 1. Placement Stitch..... 0015
 2. Cut Line and Tackdown. 0015
 3. Inner Design..... 0015
 4. Cover Stitches..... 0015
 5. Cover Stitch Linework.... 7009

HG136_48 C Square
 1. Placement Stitch..... 0015
 2. Cut Line and Tackdown. 0015
 3. Inner Design..... 0015
 4. Cover Stitches..... 0015
 5. Cover Stitch Linework.... 7009

HG137_48 E Square
 1. Placement Stitch..... 0015
 2. Cut Line and Tackdown. 0015
 3. Inner Design..... 0015
 4. Cover Stitches..... 0015
 5. Cover Stitch Linework.... 7009

HG138_48 J Square
 1. Placement Stitch..... 0015
 2. Cut Line and Tackdown. 0015
 3. Inner Design..... 0015
 4. Cover Stitches..... 0015
 5. Cover Stitch Linework.... 7009

HG139_48 L Square
 1. Placement Stitch..... 0015
 2. Cut Line and Tackdown. 0015
 3. Inner Design..... 0015
 4. Cover Stitches..... 0015
 5. Cover Stitch Linework.... 7009

HG140_48 N Square
 1. Placement Stitch..... 0015
 2. Cut Line and Tackdown. 0015
 3. Inner Design..... 0015
 4. Cover Stitches..... 0015
 5. Cover Stitch Linework.... 7009

HG141_48 O Square
 1. Placement Stitch..... 0015
 2. Cut Line and Tackdown. 0015
 3. Inner Design..... 0015
 4. Cover Stitches..... 0015
 5. Cover Stitch Linework.... 7009

HG142_48 P Square
 1. Placement Stitch..... 0015
 2. Cut Line and Tackdown. 0015
 3. Inner Design..... 0015
 4. Cover Stitches..... 0015
 5. Cover Stitch Linework.... 7009

HG143_48 Y Square
 1. Placement Stitch..... 0015
 2. Cut Line and Tackdown. 0015
 3. Inner Design..... 0015
 4. Cover Stitches..... 0015
 5. Cover Stitch Linework.... 7009

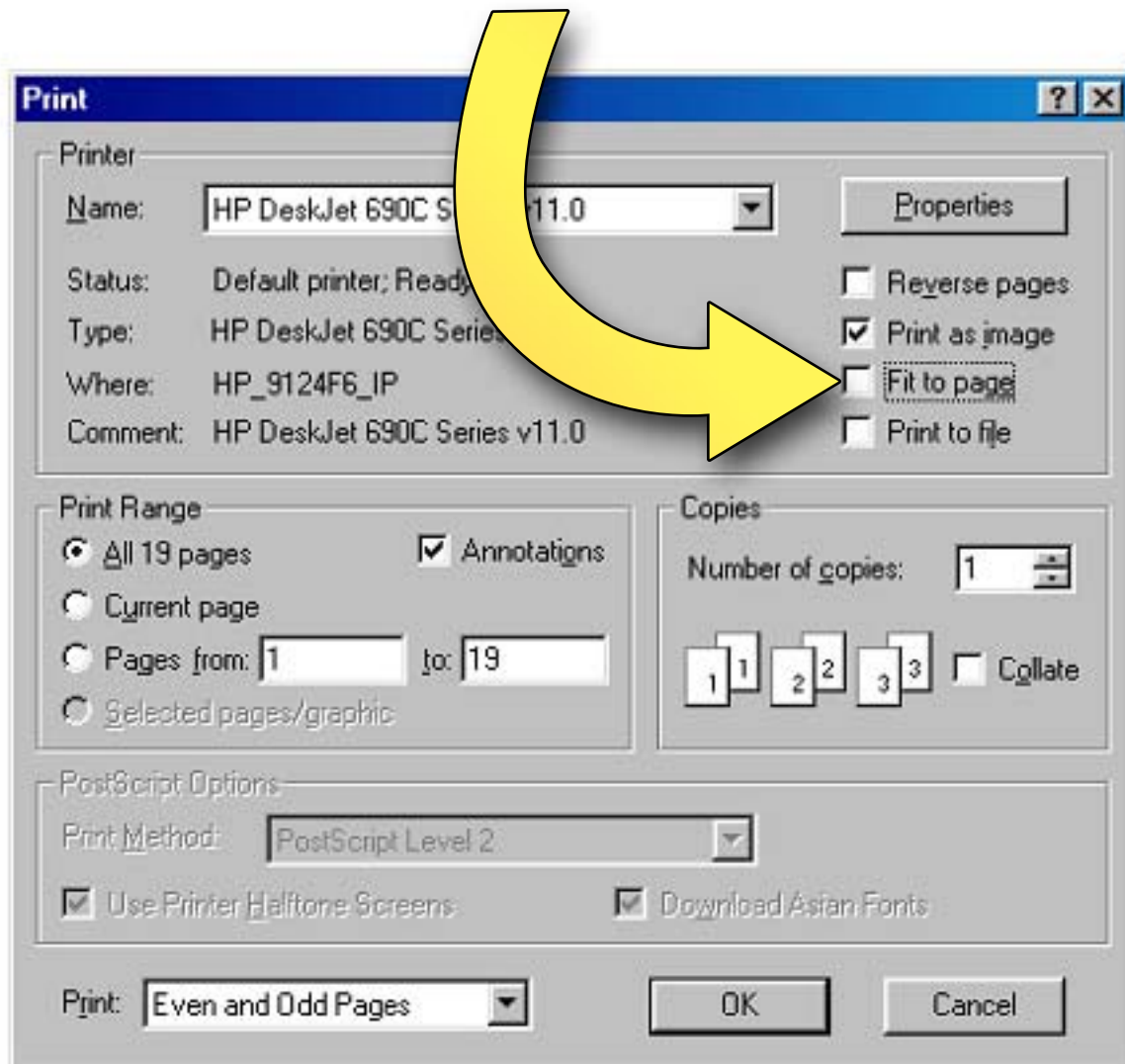
HG144_48 Wreath Center
 1. Placement Stitch..... 0015
 2. Cut Line and Tackdown. 0015
 3. Inner Design..... 0015
 4. Letters..... 0015
 5. Cover Stitches..... 0015
 6. Cover Stitch Linework.... 7009

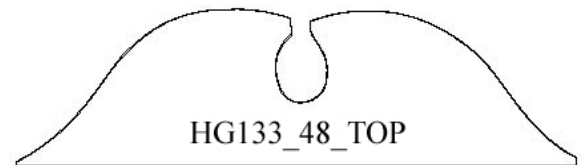
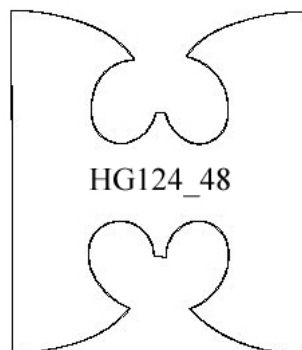
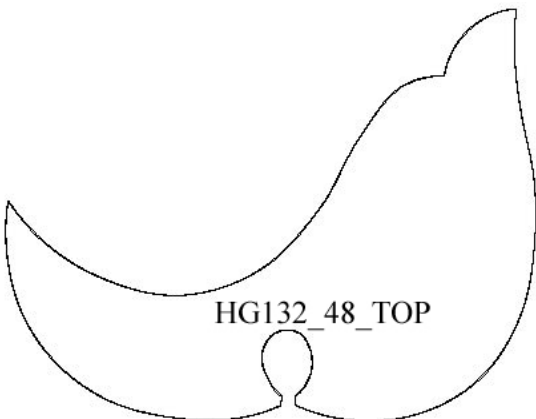
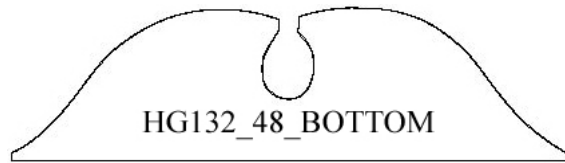
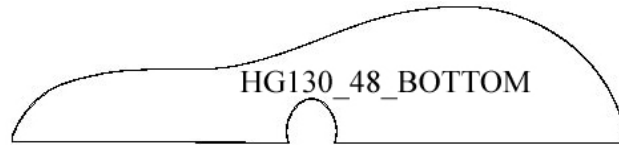
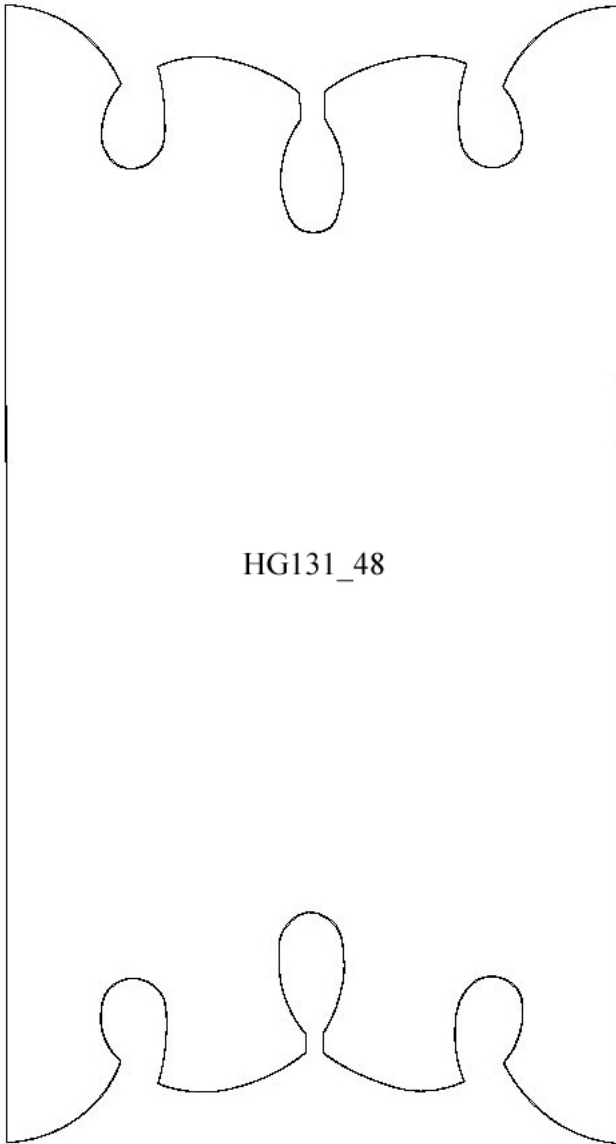
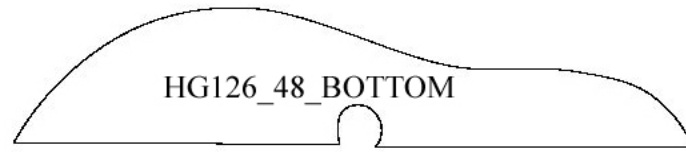
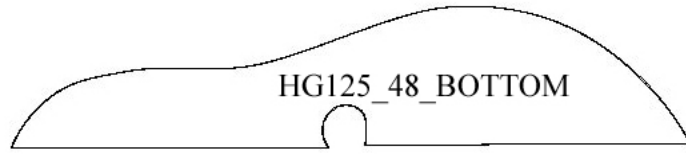
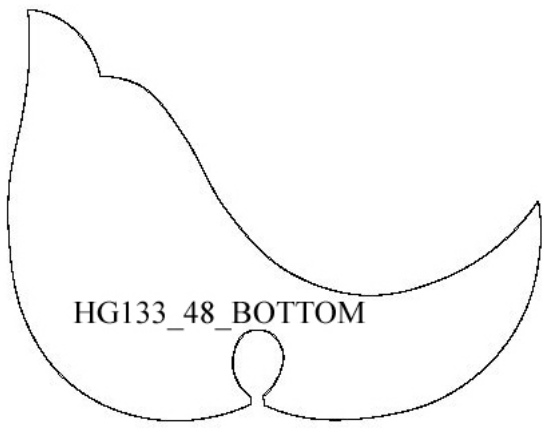
HG145_48 Wreath
 1. Placement Stitch..... 0015
 2. Cut Line and Tackdown. 0015
 3. Inner Design..... 0015
 4. Letters..... 0015
 5. Cover Stitches..... 0015
 6. Cover Stitch Linework.... 7009

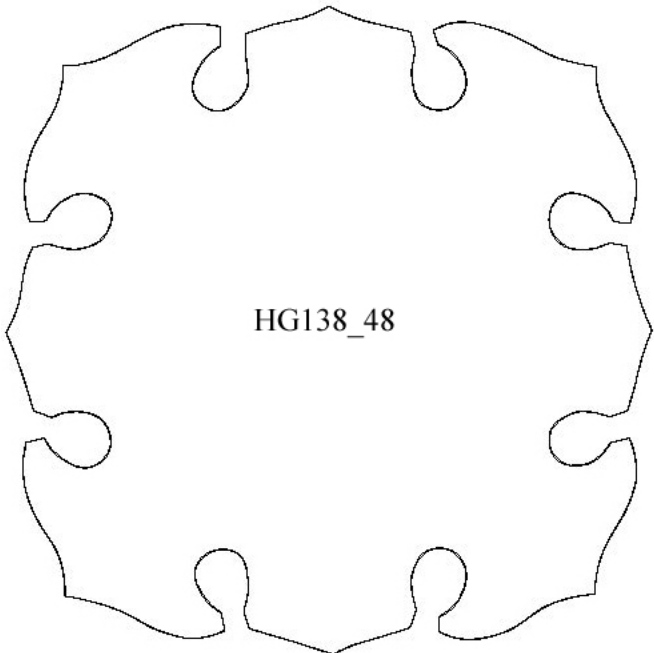
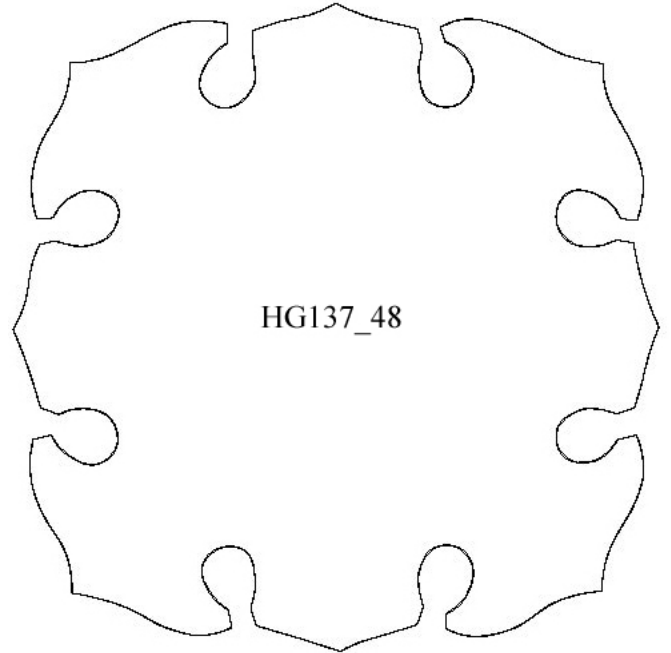
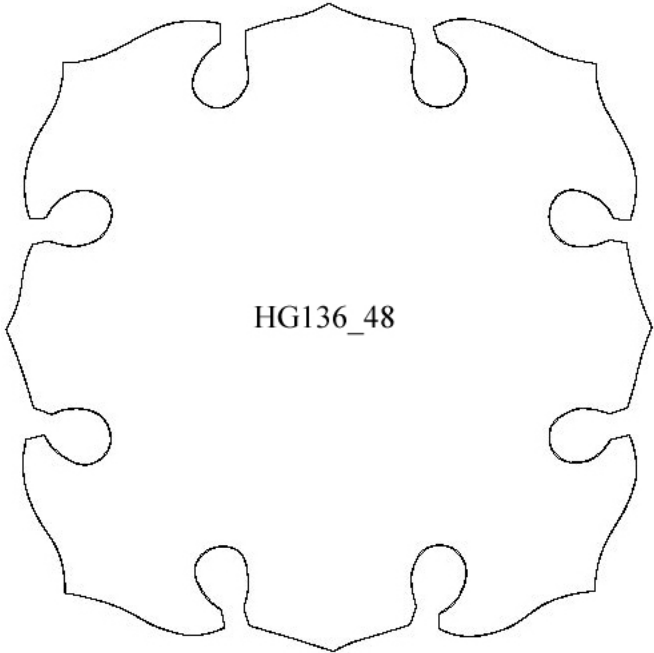
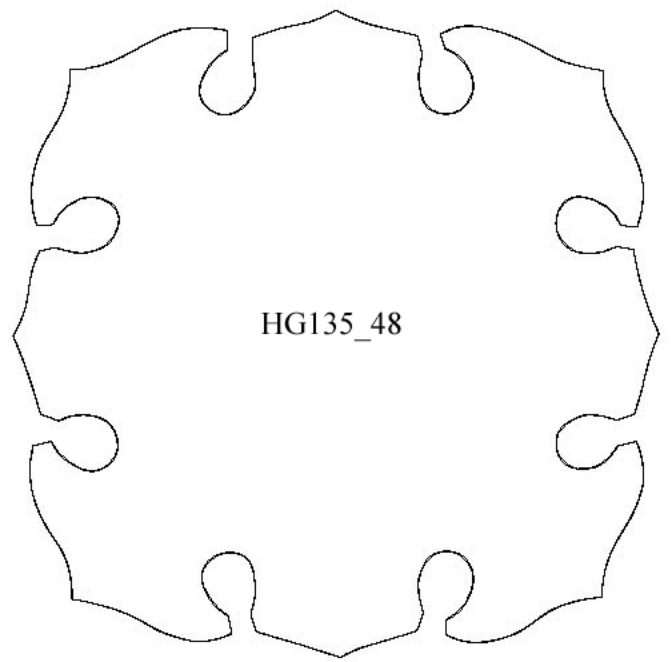
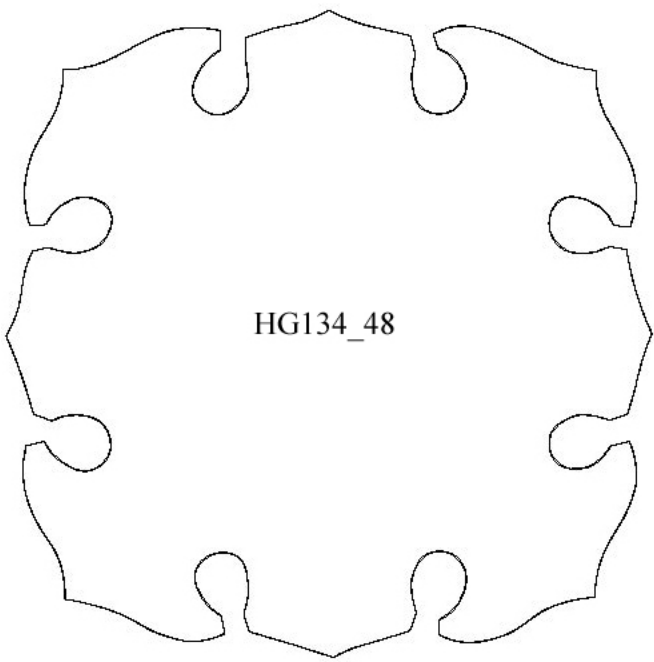
IMPORTANT:

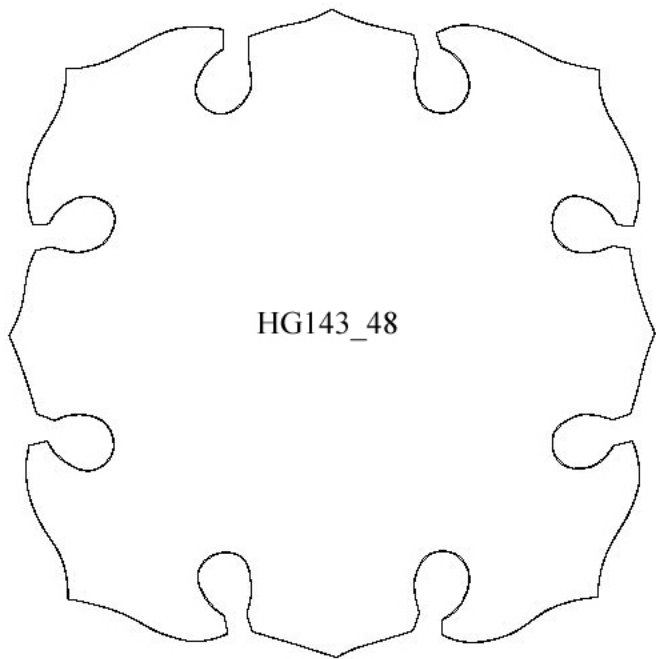
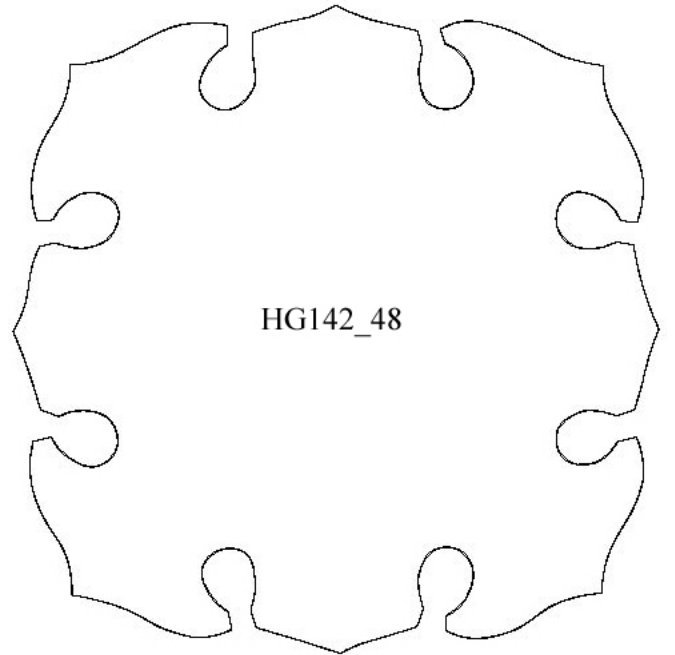
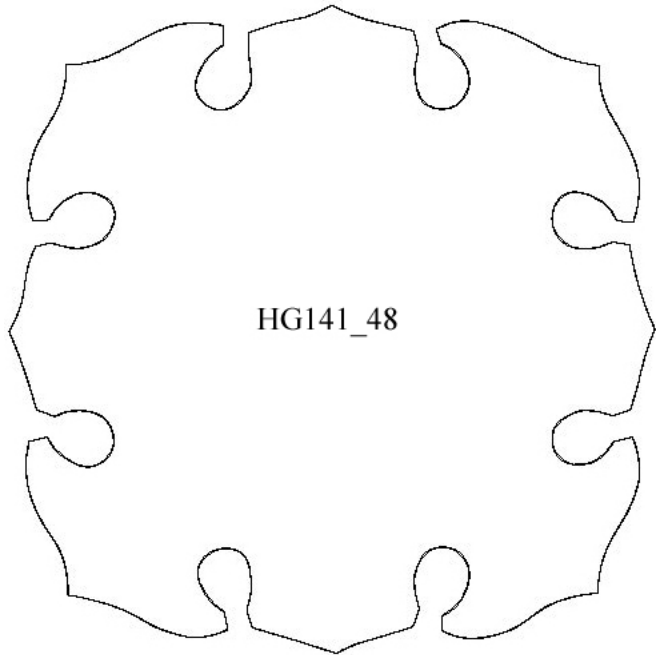
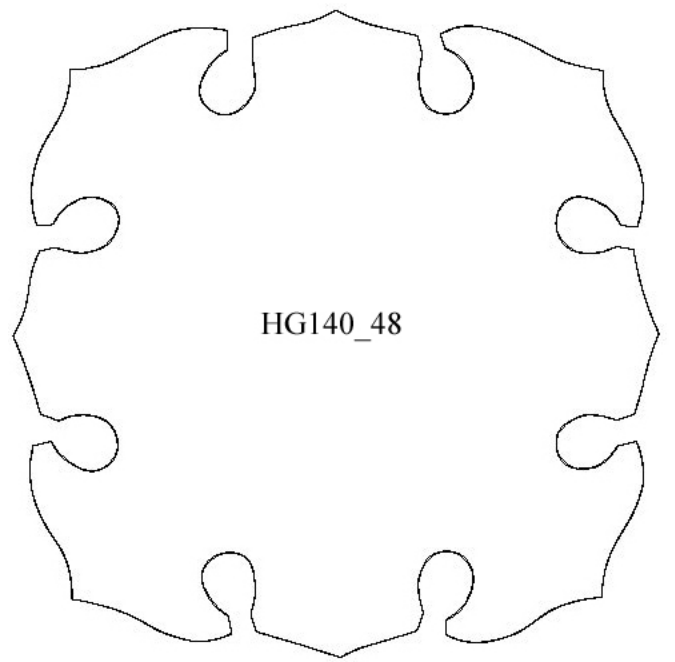
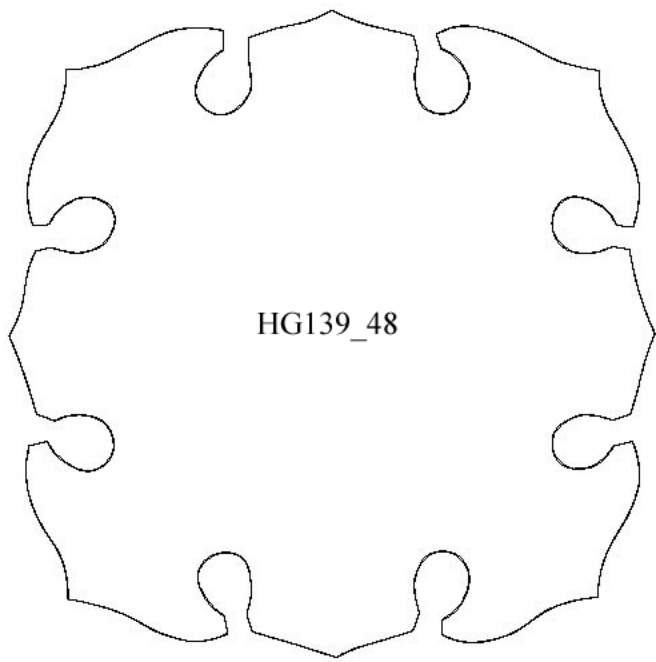
When printing this document, the “Fit to page” option must be **UNCHECKED** in the Print Dialog Box. If this option is checked, the prints will not work correctly as center point guides.

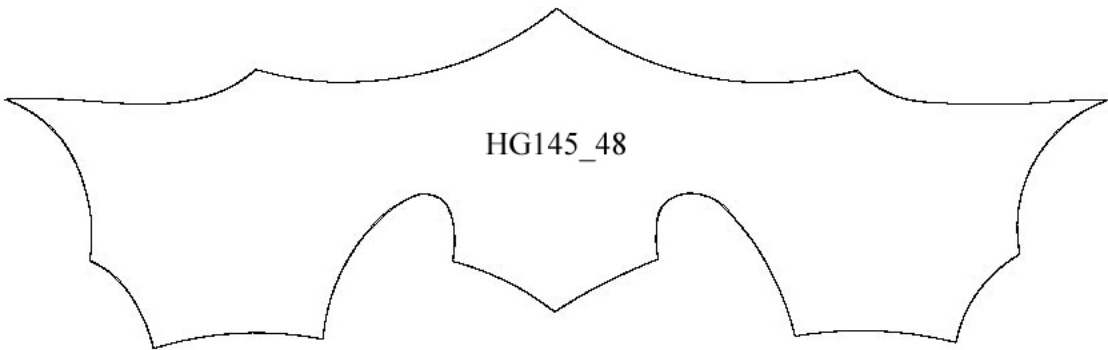
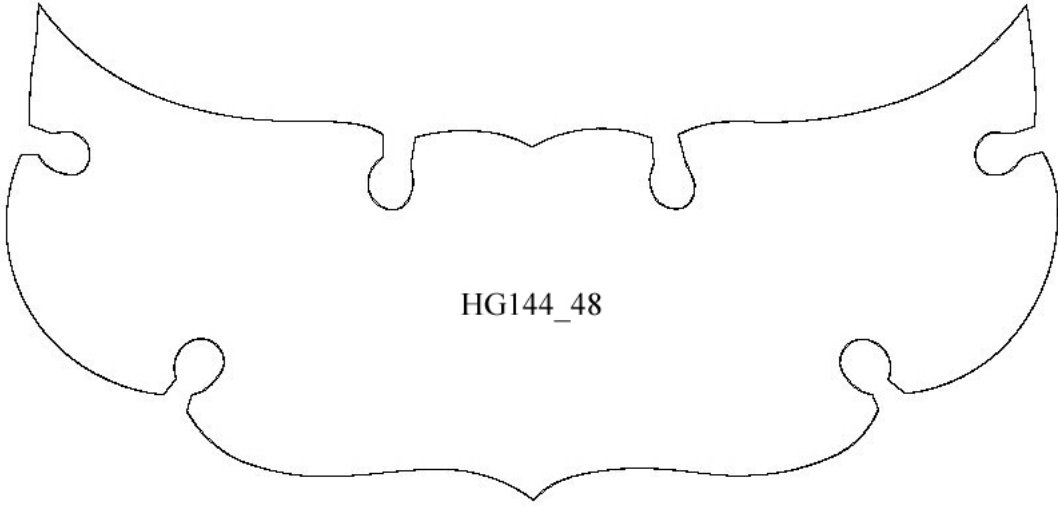
This option **MUST** be **UNCHECKED!** (as shown)













HG092_48 Angel Back
3.94 X 6.98 in.
100.08 X 177.29 mm
28,509 St. **L**



HG093_48 Angel Front
5.17 X 6.01 in.
131.32 X 152.65 mm
32,126 St. **L**



HG094_48 Angel Sleeves
2.86 X 3.48 in.
72.64 X 88.39 mm
10,268 St.



HG095_48 Angel Left Wing
3.37 X 5.23 in.
85.60 X 132.84 mm
14,660 St. **L**



HG096_48 Angel Right Wing
3.38 X 5.24 in.
85.85 X 133.10 mm
14,700 St. **L**



HG097_48 Ornament 1
3.45 X 4.84 in.
87.63 X 122.94 mm
13,220 St.



HG098_48 Ornament 2
2.73 X 3.83 in.
69.34 X 97.28 mm
11,861 St.



HG099_48 Ornament 3
3.81 X 4.71 in.
96.77 X 119.63 mm
17,383 St.



HG100_48 Ornament 4
2.60 X 4.89 in.
66.04 X 124.21 mm
13,302 St.



HG101_48 Ornament 5
2.81 X 4.79 in.
71.37 X 121.67 mm
13,046 St.



HG102_48 Ornament 6
3.11 X 4.69 in.
78.99 X 119.13 mm
16,693 St.



HG103_48 Ornament 7
2.31 X 3.67 in.
58.67 X 93.22 mm
11,440 St.



HG104_48 Ornament 8
3.10 X 4.69 in.
78.74 X 119.13 mm
14,150 St.



HG105_48 Ornament 9
1.97 X 2.90 in.
50.04 X 73.66 mm
6,978 St.



HG106_48 Ornament 10
3.22 X 4.81 in.
81.79 X 122.17 mm
13,531 St.

Design contains a loose fill.
Some white areas shown are not stitched.

L Design is larger than 5" (127 mm) in either direction.
S Design is smaller than 1.5" (38.1 mm) in either direction.

Listings below indicate color sample, stitching order and suggested thread color number, Yenmet or YLI Variegated threads.

HG092_48 Angel Back

- 1. Placement Stitch..... 0015
- 2. Cut Line and Tackdown. 0015
- 3. Inner Designs..... 0015
- 4. Cover Stitch Linework.... 7009

HG093_48 Angel Front

- 1. Placement Stitch..... 0015
- 2. Cut Line and Tackdown. 0015
- 3. Cover Stitches..... 0015
- 4. Cover Stitch Linework.... 7009

HG094_48 Angel Sleeves

- 1. Placement Stitch..... 0015
- 2. Cut Line and Tackdown. 0015
- 3. Inner Designs..... 0015
- 4. Cover Stitches..... 0015
- 5. Cover Stitch Linework.... 7009

HG095_48 Angel Left Wing

- 1. Placement Stitch..... 0015
- 2. Cut Line and Tackdown. 0015
- 3. Inner Designs..... 0015
- 4. Cover Stitches..... 0015
- 5. Cover Stitch Linework.... 7009

HG096_48 Angel Right Wing

- 1. Placement Stitch..... 0015
- 2. Cut Line and Tackdown. 0015
- 3. Inner Designs..... 0015
- 4. Cover Stitches..... 0015
- 5. Cover Stitch Linework.... 7009

HG097_48 Ornament 1

- 1. Top Placement Stitch.... 0015
- 2. Cut Line and Tackdown. 0015
- 3. Bottom Placement
Stitch..... 0015
- 4. Cut Line and Tackdown. 0015
- 5. Inner Designs..... 0015
- 6. Cover Stitches..... 0015
- 7. Cover Stitch Linework.... 7009

HG098_48 Ornament 2

- 1. Placement Stitch..... 0015
- 2. Cut Line and Tackdown. 0015
- 3. Inner Designs..... 0015
- 4. Cover Stitches..... 0015
- 5. Cover Stitch Linework.... 7009

HG099_48 Ornament 3

- 1. Top Placement Stitch.... 0015
- 2. Cut Line and Tackdown. 0015
- 3. Bottom Placement
Stitch..... 0015
- 4. Cut Line and Tackdown. 0015
- 5. Inner Designs..... 0015
- 6. Cover Stitches..... 0015
- 7. Cover Stitch Linework.... 7009

HG100_48 Ornament 4

- 1. Top Placement Stitch.... 0015
- 2. Cut Line and Tackdown. 0015
- 3. Bottom Placement
Stitch..... 0015
- 4. Cut Line and Tackdown. 0015
- 5. Inner Designs..... 0015
- 6. Cover Stitches..... 0015
- 7. Cover Stitch Linework.... 7009

HG101_48 Ornament 5

- 1. Top Placement Stitch.... 0015
- 2. Cut Line and Tackdown. 0015
- 3. Bottom Placement
Stitch..... 0015
- 4. Cut Line and Tackdown. 0015
- 5. Inner Designs..... 0015
- 6. Cover Stitches..... 0015
- 7. Cover Stitch Linework.... 7009

HG102_48 Ornament 6

- 1. Top Placement Stitch.... 0015
- 2. Cut Line and Tackdown. 0015
- 3. Bottom Placement
Stitch..... 0015
- 4. Cut Line and Tackdown. 0015
- 5. Inner Designs..... 0015
- 6. Cover Stitches..... 0015
- 7. Cover Stitch Linework.... 7009

HG103_48 Ornament 7

- 1. Placement Stitch..... 0015
- 2. Cut Line and Tackdown. 0015
- 3. Inner Designs..... 0015
- 4. Cover Stitches..... 0015
- 5. Cover Stitch Linework.... 7009

HG104_48 Ornament 8

- 1. Top Placement Stitch.... 0015
- 2. Cut Line and Tackdown. 0015
- 3. Bottom Placement
Stitch..... 0015
- 4. Cut Line and Tackdown. 0015
- 5. Inner Designs..... 0015
- 6. Cover Stitches..... 0015
- 7. Cover Stitch Linework.... 7009

HG105_48 Ornament 9

- 1. Placement Stitch..... 0015
- 2. Cut Line and Tackdown. 0015
- 3. Inner Designs..... 0015
- 4. Cover Stitches..... 0015
- 5. Cover Stitch Linework.... 7009

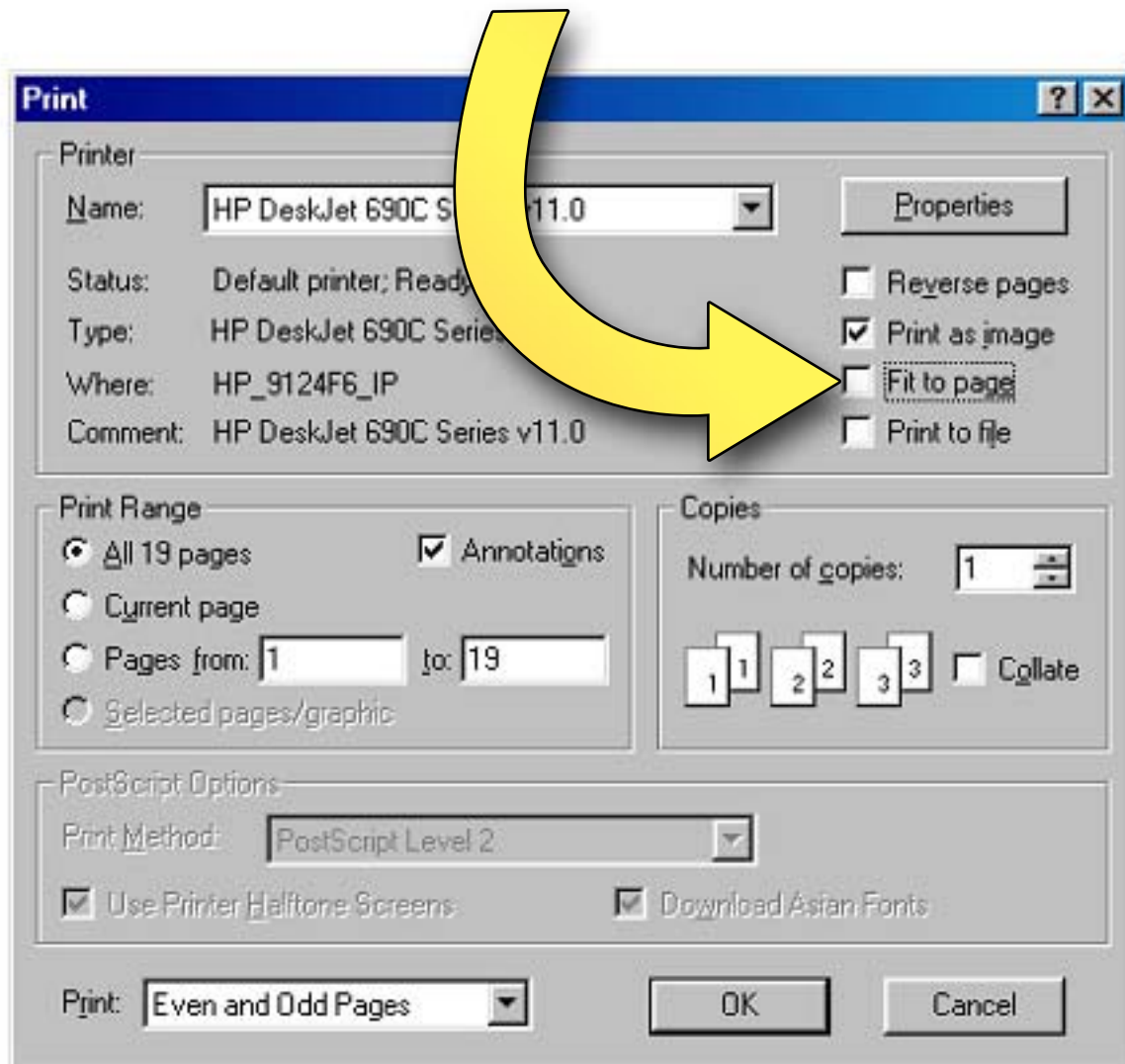
HG106_48 Ornament 10

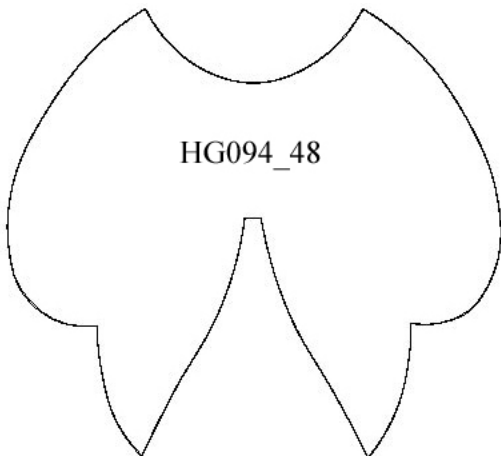
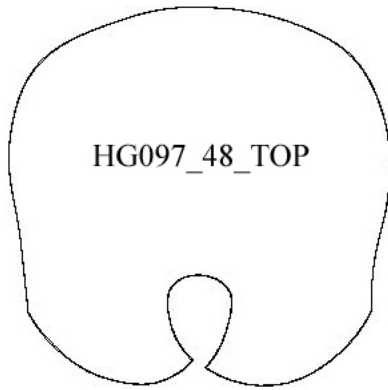
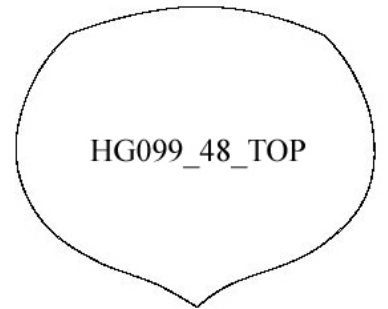
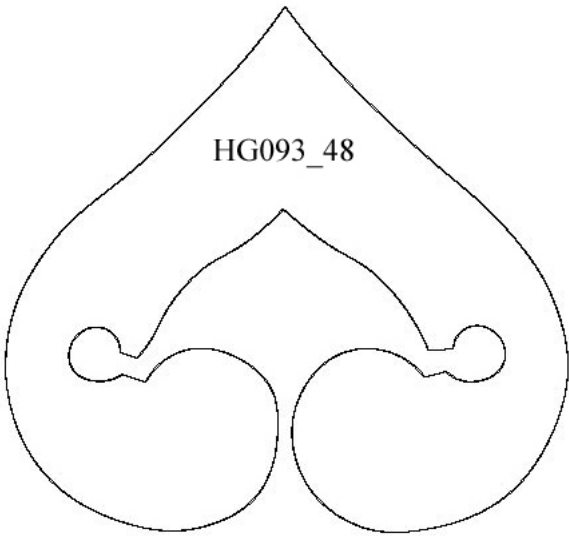
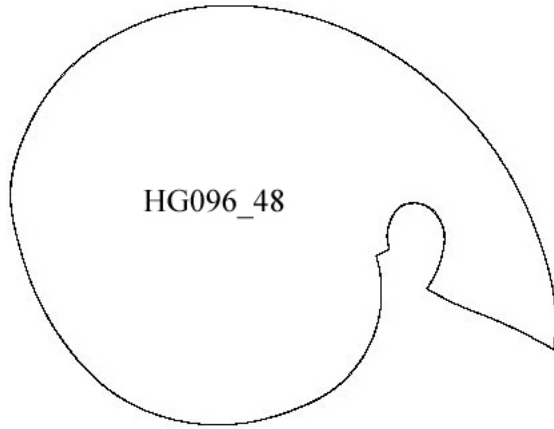
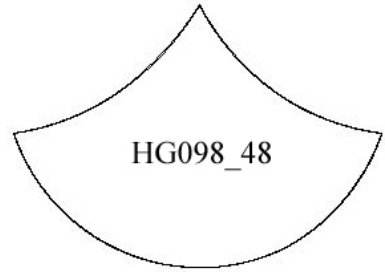
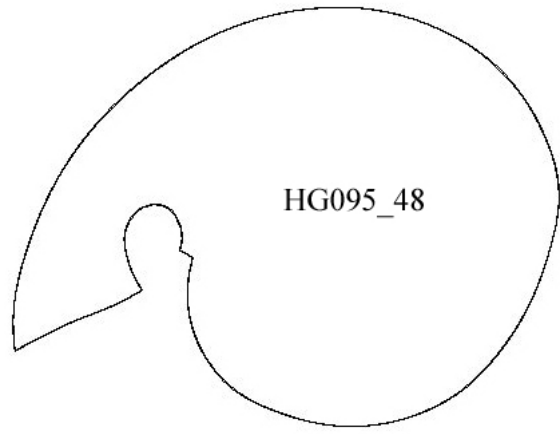
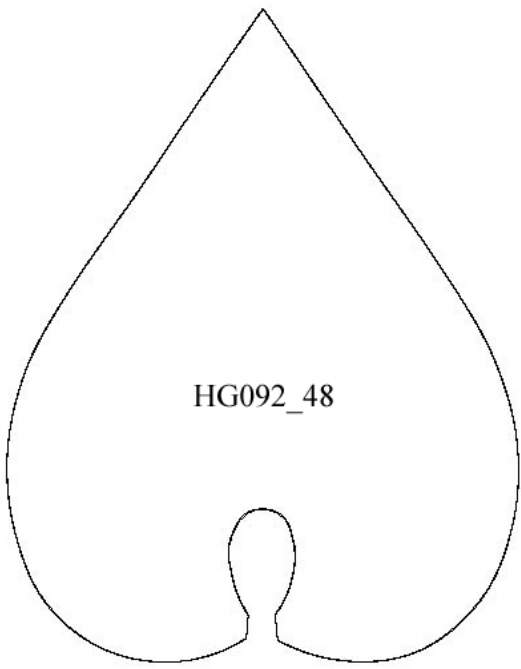
- 1. Top Placement Stitch.... 0015
- 2. Cut Line and Tackdown. 0015
- 3. Bottom Placement
Stitch..... 0015
- 4. Cut Line and Tackdown. 0015
- 5. Inner Designs..... 0015
- 6. Cover Stitches..... 0015
- 7. Cover Stitch Linework.... 7009

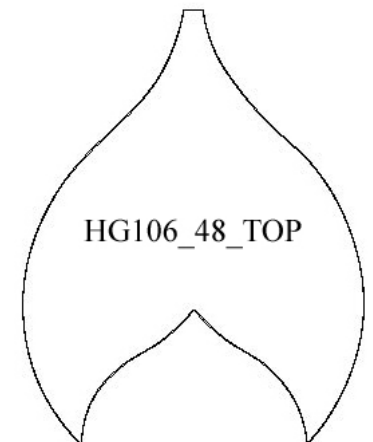
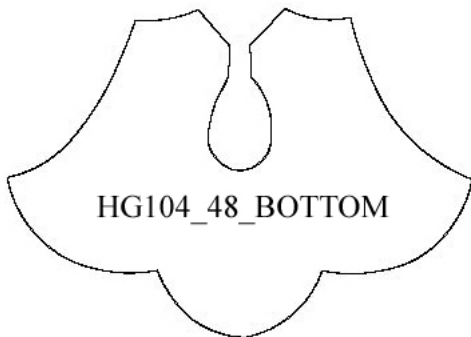
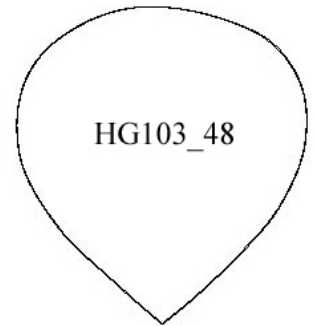
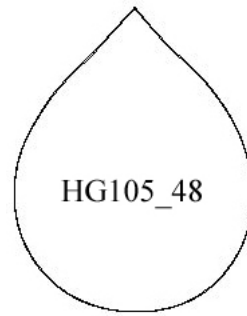
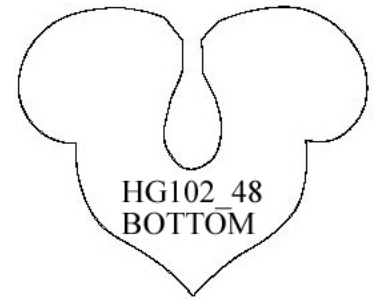
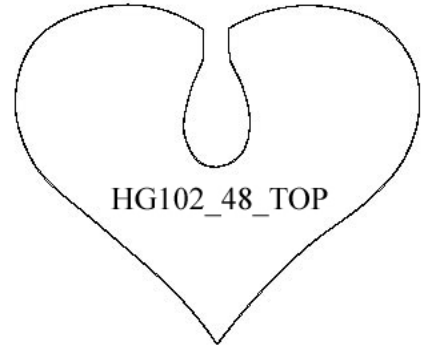
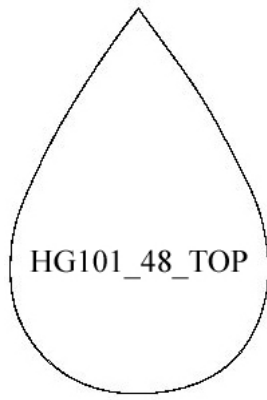
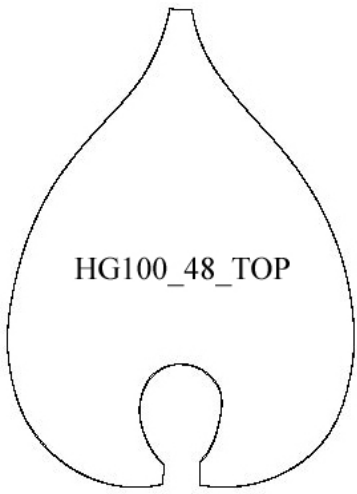
IMPORTANT:

When printing this document, the “Fit to page” option must be **UNCHECKED** in the Print Dialog Box. If this option is checked, the prints will not work correctly as center point guides.

This option **MUST** be **UNCHECKED!** (as shown)









HG146_48 Anniversary
Bookmark
1.49 X 6.43 in.
37.85 X 163.32 mm
23,846 St. **L S**



HG147_48 Anniversary Card
4.50 X 6.50 in.
114.30 X 165.10 mm
4,896 St. **L**



HG148_48 Baby Bookmark
1.49 X 6.67 in.
37.85 X 169.42 mm
23,554 St. **L S**



HG149_48 Baby Card
4.49 X 6.49 in.
114.05 X 164.85 mm
4,334 St. **L**



HG150_48 Birthday
Bookmark
1.49 X 6.38 in.
37.85 X 162.05 mm
23,292 St. **L S**



HG151_48 Birthday Card
4.50 X 6.50 in.
114.30 X 165.10 mm
4,682 St. **L**



HG152_48 Congratulations
Bookmark
1.49 X 6.26 in.
37.85 X 159.00 mm
23,341 St. **L S**



HG153_48 Congratulations
Card
4.50 X 6.50 in.
114.30 X 165.10 mm
4,194 St. **L**



HG154_48 Dove Bookmark
1.52 X 6.31 in.
38.61 X 160.27 mm
23,745 St. **L**



HG155_48 Dove Card
4.49 X 6.48 in.
114.05 X 164.59 mm
4,189 St. **L**



HG156_48 Flowers
Bookmark
1.49 X 6.28 in.
37.85 X 159.51 mm
22,808 St. **L S**



HG157_48 Flowers Card
4.51 X 6.50 in.
114.55 X 165.10 mm
5,284 St. **L**



HG158_48 Get Well
Bookmark
1.56 X 6.38 in.
39.62 X 162.05 mm
23,329 St. **L**



HG159_48 Get Well Card
4.50 X 6.50 in.
114.30 X 165.10 mm
4,601 St. **L**



HG160_48 Mother's Day
Bookmark
1.49 X 6.52 in.
37.85 X 165.61 mm
24,140 St. **L S**



IG161_48 Mother's Day Card
4.50 X 6.50 in.
114.30 X 165.10 mm
4,679 St. **L**



HG162_48 Thank You
Bookmark
1.51 X 6.09 in.
38.35 X 154.69 mm
22,409 St. **L**



HG163_48 Thank You Card
4.50 X 6.50 in.
114.30 X 165.10 mm
4,566 St. **L**



HG164_48 Thinking of You
Bookmark
1.49 X 6.25 in.
37.85 X 158.75 mm
23,287 St. **L S**



HG165_48 Thinking of You
Card
4.50 X 6.50 in.
114.30 X 165.10 mm
4,743 St. **L**



HG166_48 Valentine's
Bookmark
1.50 X 6.18 in.
38.10 X 156.97 mm
23,209 St. **L**



HG167_48 Valentine's Card
4.50 X 6.50 in.
114.30 X 165.10 mm
4,564 St. **L**



HG168_48 Christmas
Bookmark
1.49 X 6.40 in.
37.85 X 162.56 mm
21,931 St. **L S**



HG169_48 Christmas Card
4.50 X 6.50 in.
114.30 X 165.10 mm
5,257 St. **L**

☞ Design contains a loose fill.

⊛ Some white areas shown are not stitched.

L Design is larger than 5" (127 mm) in either direction.

S Design is smaller than 1.5" (38.1 mm) in either direction.

It is a violation of Copyright law to make and distribute copies of software or artwork.

Software is licensed to the original purchaser for use at one location. ©2008 OESD, Inc. All rights reserved.

Listings below indicate color sample, stitching order and suggested thread color number, Yenmet or YLI Variegated threads.

HG146_48 Anniversary

Bookmark

1. Background.....	0532
2. Lace.....	0015

HG147_48 Anniversary

Card

1. Placement Stitch.....	0552
2. Lettering.....	0552
3. Leaves.....	0453
4. Swirls.....	7011
5. Flower.....	1805

HG148_48 Baby

Bookmark

1. Background.....	2250
2. Lace.....	0015

HG149_48 Baby Card

1. Placement Stitch.....	2220
2. Lettering.....	2220
3. Duck.....	0811
4. Balloons.....	2764

HG150_48 Birthday

Bookmark

1. Background.....	3962
2. Lace.....	0015

HG151_48 Birthday

Card

1. Placement Stitch.....	3901
2. Lettering.....	3901
3. Balloons.....	2220
4. Streamers.....	5510

HG152_48

Congratulations

Bookmark

1. Background.....	6051
2. Lace.....	0015

HG153_48

Congratulations Card

1. Placement Stitch.....	5664
2. Lettering.....	5664
3. Swirls.....	5833

HG154_48 Dove

Bookmark

1. Background.....	3040
2. Lace.....	0015

HG155_48 Dove Card

1. Placement Stitch.....	3040
2. Dove & Rays.....	3770
3. Rays.....	3040

HG156_48 Flowers

Bookmark

1. Background.....	2530
2. Lace.....	0015

HG157_48 Flowers

Card

1. Placement Stitch.....	2250
2. Flowers.....	2250
3. Swirls.....	0532

HG158_48 Get Well

Bookmark

1. Background.....	1220
2. Lace.....	0015

HG159_48 Get Well

Card

1. Placement Stitch.....	1335
2. Lettering.....	1335
3. Leaves.....	5531
4. Petals.....	0630
5. Stamen.....	0824

HG160_48 Mother's

Day Bookmark

1. Background.....	2155
2. Lace.....	0015

HG161_48 Mother's

Day Card

1. Placement Stitch.....	2241
2. Lettering.....	2241
3. Leaves & Vines.....	5552
4. Flowers.....	2521

HG162_48 Thank You

Bookmark

1. Background.....	4430
2. Lace.....	0015

HG163_48 Thank You

Card

1. Placement Stitch.....	4643
2. Lettering.....	4643
3. Flowers.....	4452

HG164_48 Thinking of

You Bookmark

1. Background.....	5822
2. Lace.....	0015

HG165_48 Thinking of

You Card

1. Placement Stitch.....	0453
2. Lettering.....	0453
3. Swirls.....	0352
4. Butterflies.....	1220

HG166_48 Valentine's

Bookmark

1. Background.....	1840
2. Lace.....	0015

HG167_48 Valentine's

Card

1. Placement Stitch.....	2650
2. Lettering.....	2650
3. Hearts & Vines.....	2560

HG168_48 Christmas

Bookmark

1. Background.....	1730
2. Lace.....	0015

HG169_48 Christmas

Card

1. Placement Stitch.....	0670
2. Lettering.....	0670
3. Ornament.....	7004
4. Leaves & Berries.....	5822



HG107_48 Candle Ring
5.47 X 4.02 in.
138.94 X 102.11 mm
25,294 St. **L**



IG108_48 Candle Ring Top
4.22 X 5.07 in.
107.19 X 128.78 mm
24,829 St. **L**



HG109_48 Candle Wrap
7.01 X 4.57 in.
178.05 X 116.08 mm
41,316 St. **L**



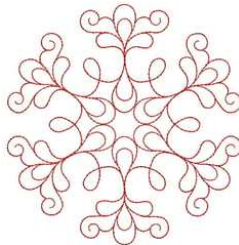
HG110_48 Card Holder
4.66 X 6.89 in.
118.36 X 175.01 mm
32,066 St. **L**



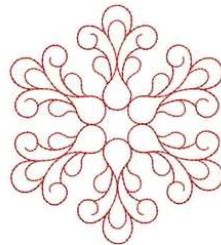
HG111_48 Napkin Corner
5.02 X 4.32 in.
127.51 X 109.73 mm
19,662 St. **L**



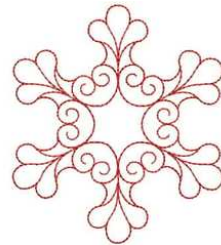
HG112_48 Napkin Ring
6.33 X 3.27 in.
160.78 X 83.06 mm
24,682 St. **L**



HG113_48 Snowflake 1
4.94 X 5.07 in.
125.48 X 128.78 mm
3,791 St. **L**



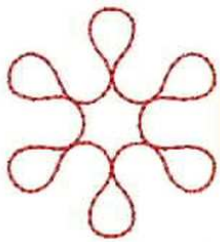
HG114_48 Snowflake 2
3.57 X 4.00 in.
90.68 X 101.60 mm
2,418 St.



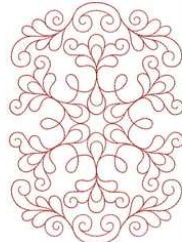
HG115_48 Snowflake 3
3.17 X 3.59 in.
80.52 X 91.19 mm
2,135 St.



HG116_48 Snowflake 4
2.43 X 2.75 in.
61.72 X 69.85 mm
1,477 St.



HG117_48 Snowflake 5
1.45 X 1.61 in.
36.83 X 40.89 mm
467 St. **S**



IG118_48 Snowflake Center
4.94 X 6.86 in.
125.48 X 174.24 mm
5,894 St. **L**



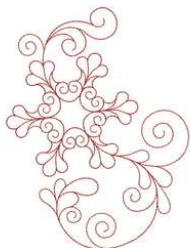
**HG119_48 Snowflake
Corner 1**
5.91 X 3.25 in.
150.11 X 82.55 mm
3,115 St. **L**



**HG120_48 Snowflake
Corner 2**
4.72 X 2.20 in.
119.89 X 55.88 mm
1,421 St.



HG121_48 Snowflake Swirl 1
4.59 X 6.17 in.
116.59 X 156.72 mm
3,613 St. **L**



**HG122_48 Snowflake Swirl
2**
4.94 X 6.57 in.
125.48 X 166.88 mm
3,506 St. **L**

Design contains a loose fill.
Some white areas shown are not stitched.

L Design is larger than 5" (127 mm) in either direction.
S Design is smaller than 1.5" (38.1 mm) in either direction.

Listings below indicate color sample, stitching order and suggested thread color number, Yenmet or YLI Variegated threads.

HG107_48 Candle Ring

- 1. Center Placement Stitch 0015
- 2. Center Cut Line & Tackdown.....0015
- 3. Outer Placement Stitches.....0015
- 4. Outer Cut Lines & Tackdowns.....0015
- 5. Center Linework..... 0015
- 6. Cover Stitches..... 0015
- 7. Cover Stitch Linework.... 7009

HG108_48 Candle Ring

- Top**
- 1. Placement Stitch.....0015
 - 2. Cut Line & Tackdown.... 0015
 - 3. Inner Designs.....0015
 - 4. Cover Stitches..... 0015
 - 5. Cover Stitch Linework.... 7009

HG109_48 Candle

- Wrap**
- 1. Center Placement Stitch 0015
 - 2. Center Cut Line & Tackdown.....0015
 - 3. Right Placement Stitch.. 0015
 - 4. Right Cut Line & Tackdown.....0015
 - 5. Left Placement Stitch.....0015
 - 6. Left Cut Line & Tackdown.....0015
 - 7. Inner Designs..... 0015
 - 8. Cover Stitches..... 0015
 - 9. Cover Stitch Linework.... 7009

HG110_48 Card Holder

- 1. Top Placement Stitch.... 0015
- 2. Top Cut Line & Tackdown.....0015
- 3. Inner Designs..... 0015
- 4. Cover Stitch..... 0015
- 5. Cover Stitch Linework.... 7009
- 6. Bottom Placement Stitch.....0015
- 7. Bottom Cut Line & Tackdown.....0015
- 8. Inner Designs..... 0015
- 9. Cover Stitches..... 0015
- 10. Cover Stitch Linework.. 7009
- 11. Cover Stitches on Bottom.....0015

HG111_48 Napkin

- Corner**
- 1. Corner Placement Stitch.....0015
 - 2. Corner Cut Line..... 0015
 - 3. Corner Tackdown..... 0015
 - 4. Placement Stitch.....0015
 - 5. Cut Line & Tackdown.... 0015
 - 6. Inner Designs..... 0015
 - 7. Cover Stitches..... 0015
 - 8. Cover Stitch Linework.... 7009

HG112_48 Napkin Ring

- 1. Placement Stitch..... 0015
- 2. Cut Line & Tackdown.... 0015
- 3. Inner Designs..... 0015
- 4. Cover Stitches..... 0015
- 5. Cover Stitch Linework.... 7009

HG113_48 Snowflake 1

- 1. Single Color Design..... 1902

HG114_48 Snowflake 2

- 1. Single Color Design..... 1902

HG115_48 Snowflake 3

- 1. Single Color Design..... 1902

HG116_48 Snowflake 4

- 1. Single Color Design..... 1902

HG117_48 Snowflake 5

- 1. Single Color Design..... 1902

HG118_48 Snowflake

- Center**
- 1. Single Color Design..... 1902

HG119_48 Snowflake

- Corner 1**
- 1. Single Color Design..... 1902

HG120_48 Snowflake

- Corner 2**
- 1. Single Color Design..... 1902

HG121_48 Snowflake

- Swirl 1**
- 1. Single Color Design..... 1902

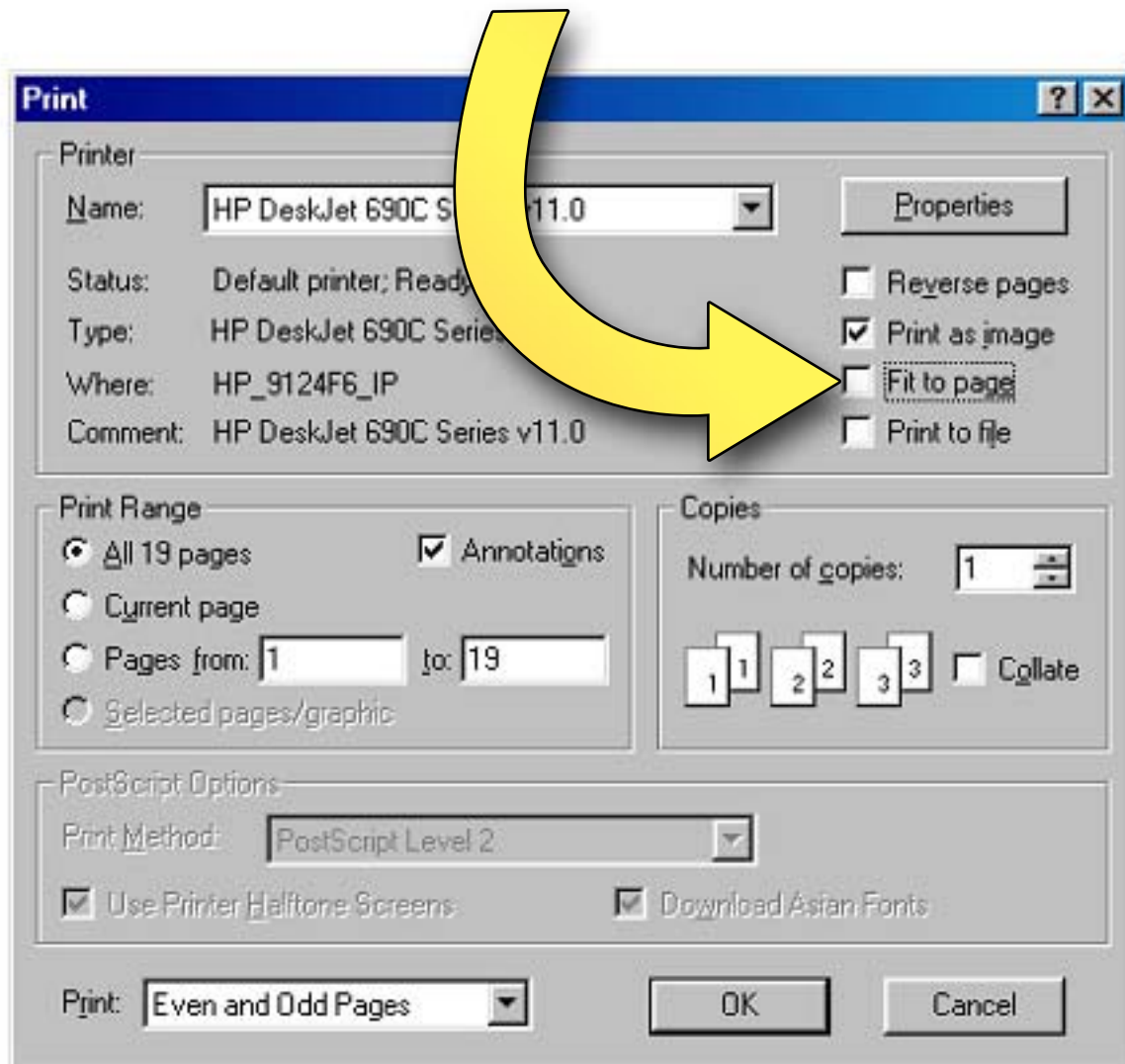
HG122_48 Snowflake

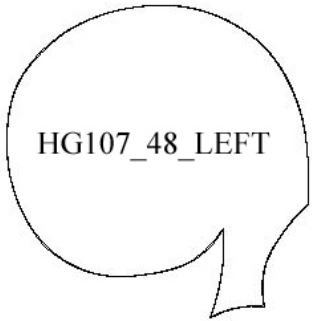
- Swirl 2**
- 1. Single Color Design..... 1902

IMPORTANT:

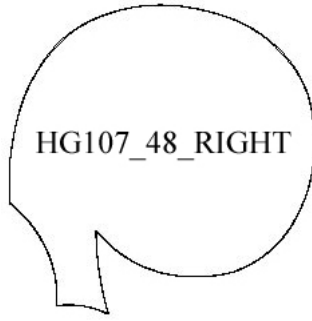
When printing this document, the “Fit to page” option must be **UNCHECKED** in the Print Dialog Box. If this option is checked, the prints will not work correctly as center point guides.

This option **MUST** be **UNCHECKED!** (as shown)

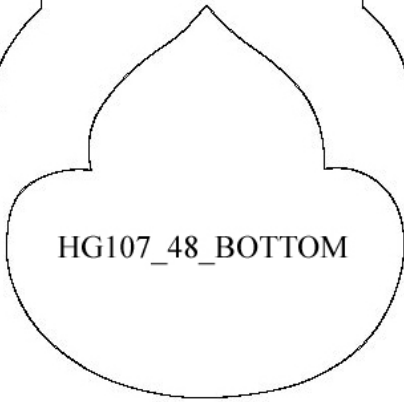




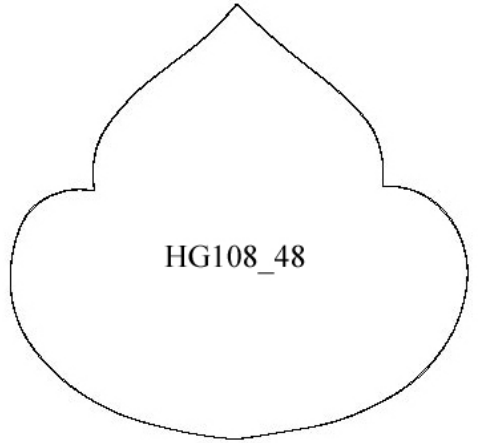
HG107_48_LEFT



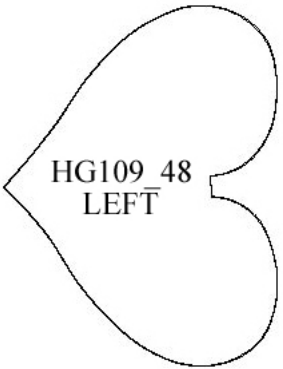
HG107_48_RIGHT



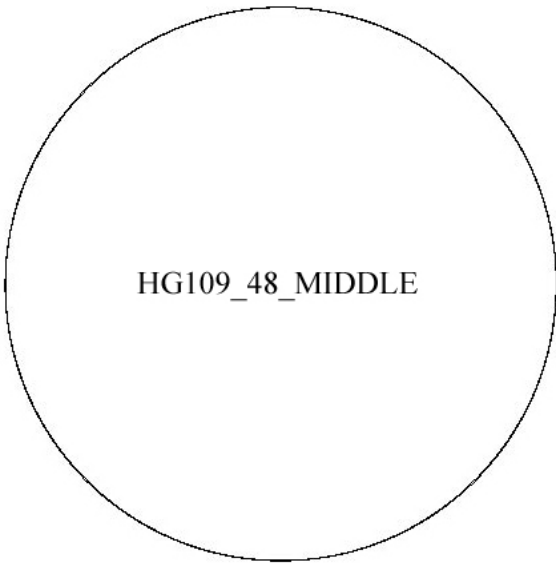
HG107_48_BOTTOM



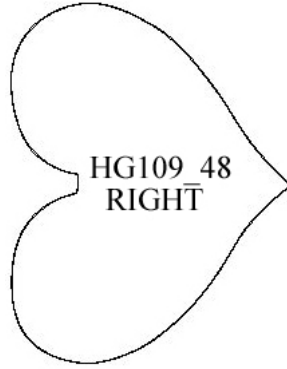
HG108_48



HG109_48
LEFT



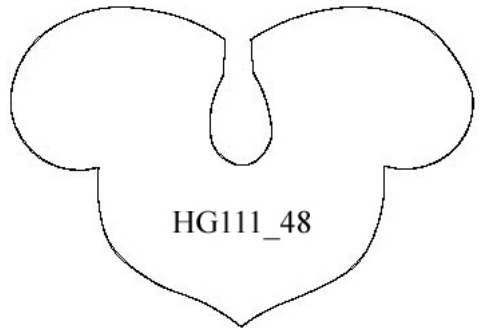
HG109_48_MIDDLE



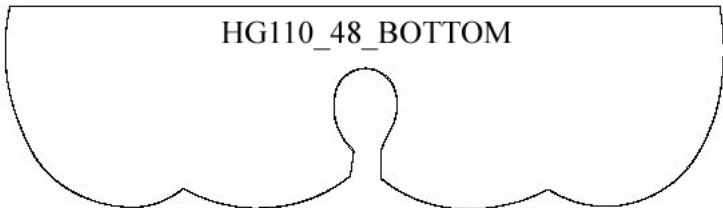
HG109_48
RIGHT



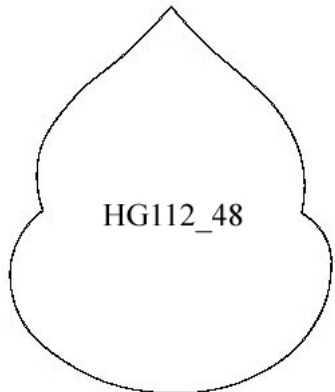
HG110_48_TOP



HG111_48



HG110_48_BOTTOM



HG112_48