

Model: PL182 / PL228



PL228 model shown

**BEFORE USE:**



Ensure the product has been assembled according to the instructions in this manual. All operators should read and understand the instructions for safe and proper operation of the patient lift.



# Thank you for choosing Bestcare!

To better serve you, please record the following information for future use:

Supplier Name: \_\_\_\_\_

Supplier Telephone: \_\_\_\_\_

Product Serial Number: \_\_\_\_\_

Date of Purchase: \_\_\_\_\_

## Date of Manufacture

**BestLift® PL182**  
**MAX LOAD: 400LB**  
MASS OF LIFT: 101LB(46KG)  
**Bestcare**  
2920 Pacific Dr,  
Norcross, GA 30071  
1-678-679-6690  
S/N: PL182YYMM2XXX



The manufacturing date can be found on the serial number label that is located at the top of the mast. The YY in the serial number is the manufacture year, and the MM is the manufacturing month.



This product has been tested by SGS, an accredited testing institute to comply with the requirements of:

ISO 10535, IEC 60601-1, ANSI/AAMI ES60601-1, CAN/CSA-C22.2 No.60601-1, IEC 60601-1-11, ANSI/AAMI HA60601-1-11, CAN/CSA-C22.2 No.60601-1-11, IEC 60601-1-2

## **Product Description**

The Bestlift® PL182 and PL228 allow patients up to 400lbs and 500lbs, respectively, to be lifted and transferred safely with minimal physical effort provided by the operator. That is due to it being a full electric lift . With the PL182 and PL228, patients can be lifted from floor to bed with ease. Additionally, patients can be moved from surface to surface with extra comfort as a result of the 6 point spreader bar. With the addition of the optional battery pack you will never have to be worried about your lift not being charged and ready for use.

















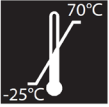
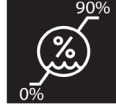


## **Intended Use**

The PL182 and PL228 are intended to be used with patients who are completely immobile or totally dependent on the patient lift for transfers. The PL182 and PL228 are intended to be used for transfers of the patient in and out of bed, their wheelchair, to and from the commode, or any other type of surface. The PL182 and PL228 are intended to be operated by at least one caregiver who will perform the lift and transfer. Transfers should always be done on a flat, dry surface and are not intended to be used in high humidity environments for extended amounts of time.

# DEFINITIONS & SYMBOLS

In this manual the user refers to the patient or resident and may be used interchangeably at different times. Caregiver refers to the operator or person who is assisting with the transfer.

Symbols used in this manual and on the product and their meanings:

	Warning! Failure to heed this warning may result in damage to the product or serious injury to the operator and/or user.		Do Not Bleach. No bleach product may be used. The garment is not colorfast or structurally able to withstand any bleach.
	Important instructions follow. Read and understand the instructions in the manual before using the product.		Do Not Dryclean. Garment may not be commercially drycleaned.
	Type BF applied part. Refer to the part of the medical device which come into physical contact with the patient in order for the device to carry out its intended		Do Not Iron. Item may not be smoothed or finished with an iron.
	Class II symbol. To identify equipment is designed that a connection to electrical earth (ground) is not required.		Tumble Dry, Normal, Low Heat. A machine dryer may be regularly used at a maximum of Low Heat setting.
	Note! Important information concerning the product and/or its correct and proper usage follows.		Do Not Dry. A machine dryer may not be used.
	Advise the operator to consult the accompanying documents before use.		Machine Wash, Hot. Initial water temperature should not exceed 82°C or 180°F.
	Right side up		Do Not Wash
	Fragile, handle with care		Keep dry
	Carton storage temperature limit of -25°C to 70°C		Carton storage humidity limit of 0% to 90%
	European Conformity mark, The product conforms to European Medical Directive 93/42/EEC and meets applicable health, safety and environmental requirements.		Handle with care



# Safety Instructions

The BestLift® Series of full body patient lifts reflect innovative state of the art design to increase user mobility. A BestLift® will provide years of service if it is properly maintained as any electric and/or mechanical equipment requires. Please pay careful attention to the following important information regarding the care, maintenance, and operation of the patient lift. Carefully read these instructions before assembling the lift, or attempting to lift a user with the device.

- Before attempting to lift anyone, please practice operating the lift. Also prior to actual lifting, explain the lifting procedure to the user/patient.
- Special care must be taken with users/patients who cannot Themselves by provide proper assistance while being lifted. (i.e. patients who are comatose, spastic, agitated, or otherwise severely handicapped.)
- The patient lift should be used solely for transferring a user/patient from one utility (beds, chairs, toilets, etc.) to another. The patient lift should not be used for transporting or moving any patient from one location to another location.
- During lifting or lowering, whenever possible, always keep the base of the lift in the widest position.
- The base of the lift should be closed before moving the lift.
- Do not roll casters over any object while the user/patient is in the sling.
- Do not lock casters during lifting.
- While being lifted in a sling, always keep the user/patient centered over the base and facing the caregiver operating the lifter.
- Never leave the user/patient unattended during lifting.

Service personnel may contact Bestcare for any information, instructions or certain parts for servicing purpose.



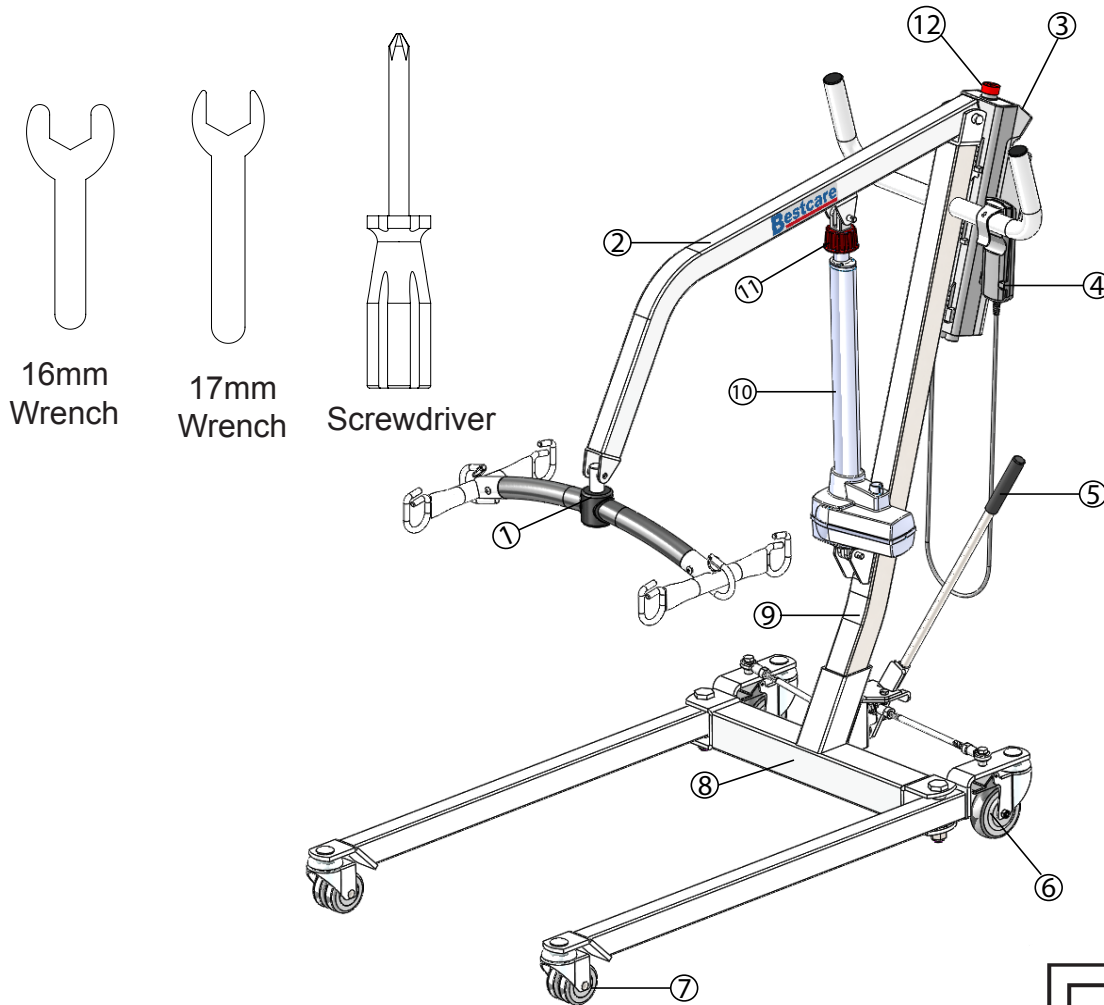
# WARNING!

- **NO** modification of this equipment is allowed. It is unsafe to modify the equipment from its original state. This product is deemed safe to use with only the original parts as delivered. Unauthorized use of any modified equipment may result in serious injury or death.
- **DO NOT** replace any components of the lift without consulting with Bestcare, and must follow proper instruction from Bestcare when replacing any components.
- **DO NOT** service any parts of the lift while in use with a patient.
- It is **NOT** safe to load the equipment more than the indicated maximum safe working load.
- **IF** any accessories with lower load capacity than the equipment itself is used, **DO NOT** load the equipment more than the lowest maximum safe working load.
- **REMOVE** the battery pack if the lift will not be used for some time, to prevent battery leakage. **PERIODICALLY** check the battery pack as well as the charger if necessary
- This equipment **DOES NOT** consist of any materials or ingredients to which patients are exposed, that may cause bodily harm or injury.
- Prolonged exposure or physical contact with any part of the equipment **WILL NOT** cause skin irritation, allergic reaction, etc.
- Using accessories, detachable parts, or materials not described in the instruction manual **MAY RESULT IN SERIOUS INJURIES.**
- Keep the equipment away from children and pets when in use. **IT MAY CAUSE SERIOUS INJURY OR DEATH.**
- Keep the equipment away from pests or pest infested area. Diseases transferred from pests to the equipment **MAY CAUSE SERIOUS ILLNESS** to patients upon contact.
- If the lift is left under the sun for long period of time, be **CAUTIOUS** as the surface of the lift may be hot.
- There are no risk if the lift is exposed to reasonably foreseeable environmental conditions
- **CAUTION!** The controller contains parts and assemblies that could be susceptible to **damage by electrostatic discharge (ESD)**. To reduce the likelihood of this from happening, one should be grounded prior to operate the controller.
- **DO NOT** use the lift on an inclined surface that greater than 5°
- **CAUTION!** The black plastic bolt caps can fall off the bolt, and they are a choking hazard. If the cap will not stay on the bolt, replace it immediately.

# FEATURES & OVERVIEW



- Prior to assembly, unpack and inspect all parts from the shipping carton. Contact your dealer immediately if any parts are damaged or missing.
- Easy tools are provided to assist with initial set up. To ensure maximum safety, product should not be put into use until all connections are tightened using standard tools.



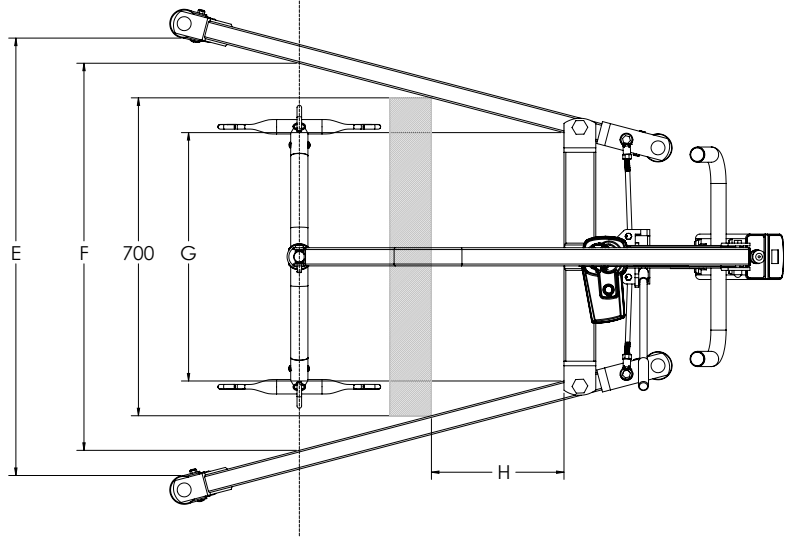
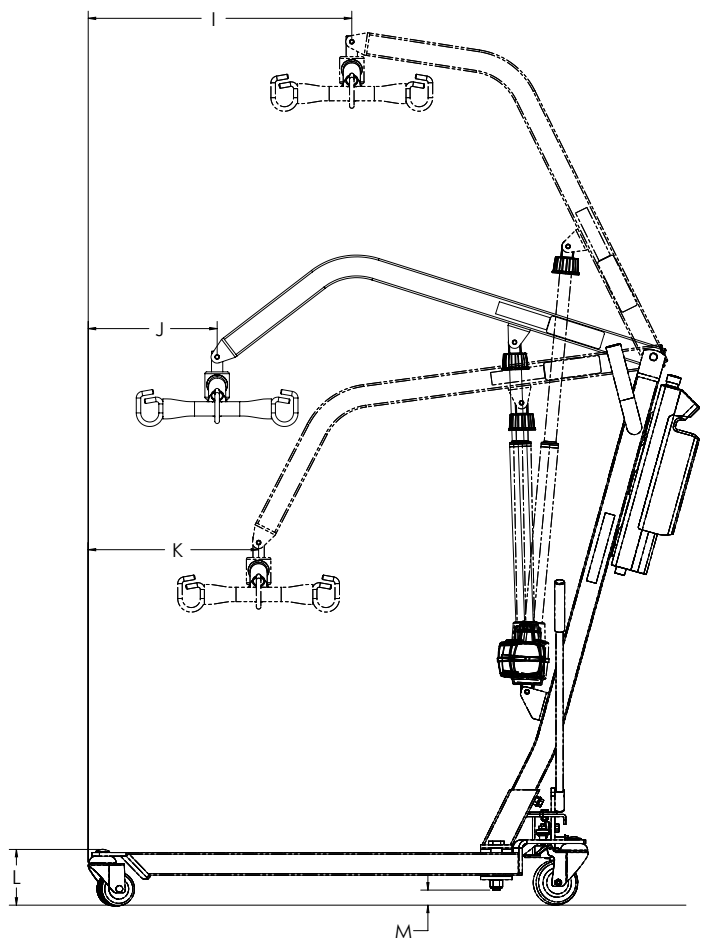
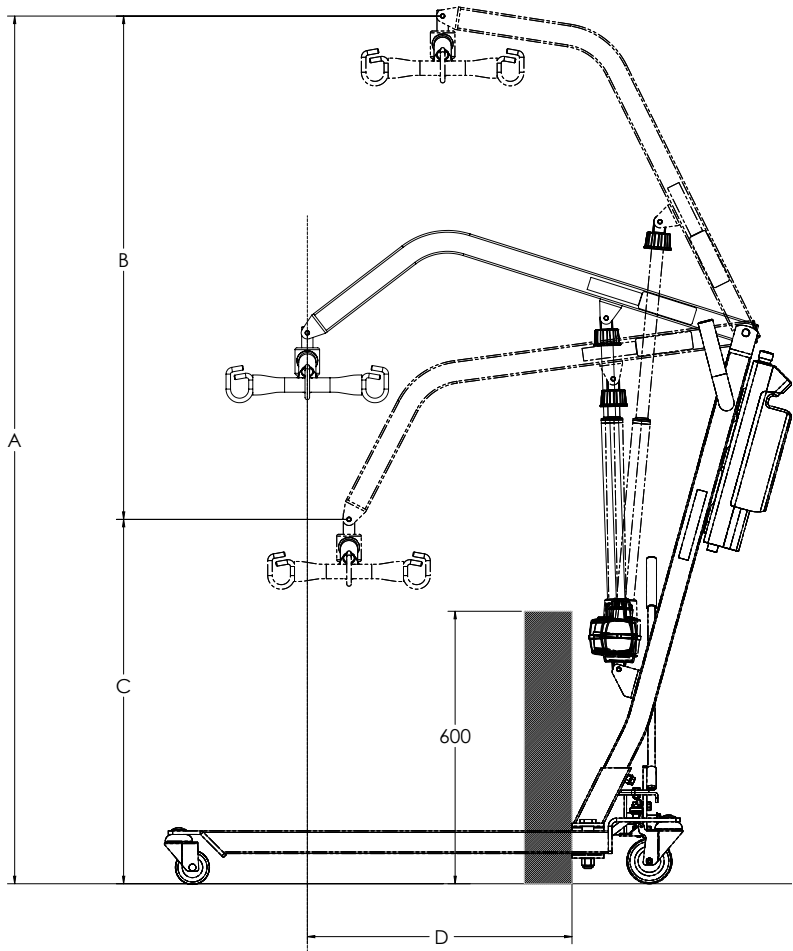
\* PL228 model shown



Class II Equipment

1	Spreader Bar	8.6 lb (3.9 kg)	6	Rear Caster		10	Actuator	8.4 lb (3.8 kg)
2	Boom	9.9 lb (4.5 kg)	7	Front Caster		11	Emergency Lowering	
3	Control Unit	11 lb (5 kg)	8	**Base	46.5 lb (21.1 kg)	12	Emergency Stop Button	
4	Hand Control	0.7 lb (0.3 kg)	9	Mast	14.3 lb (6.5 kg)		Charger	0.6 lb (0.3 kg)
5	Leg Opening Handle	1.1 lb (0.3 kg)						

\*\* Heaviest detachable part

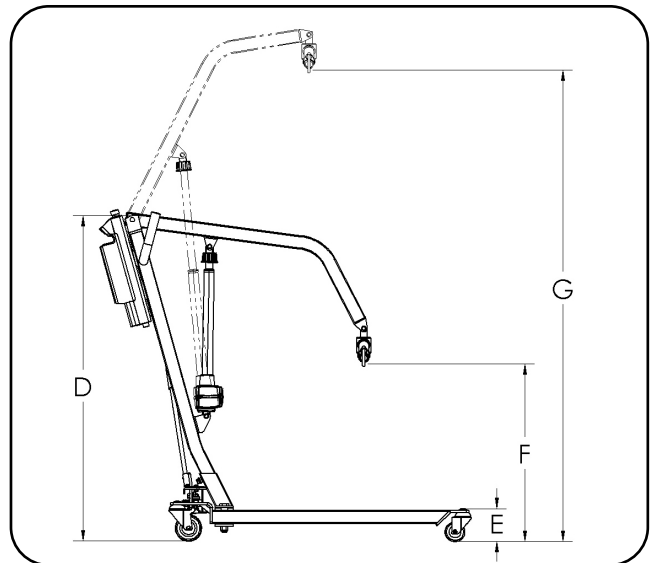
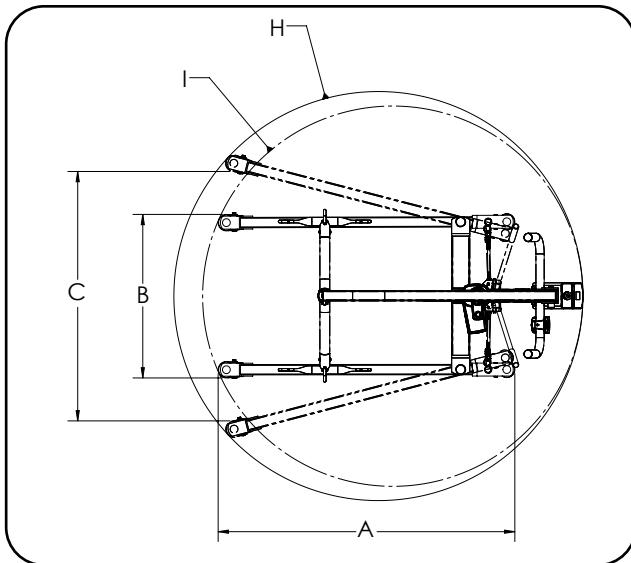


	PL182 mm (in)	PL228 mm (in)
A	1910.8 (75.2)	1910.8 (75.2)
B	1108.4 (43.6)	1108.4 (43.6)
C	802.4 (31.6)	802.4 (31.6)
D	582.9 (22.9)	582.9 (22.9)
E	963.2 (37.9)	963.2 (37.9)
F	852.5 (33.6)	852.5 (33.6)
G	547 (21.5)	547 (21.5)
H	291.9 (11.5)	291.9 (11.5)
I	583.2 (23.0)	583.2 (23.0)
J	285.3 (11.2)	285.3 (11.2)
K	377 (14.8)	377 (14.8)
L	123.4 (4.9)	123.4 (4.9)
M	33.4 (1.3)	33.4 (1.3)



# SPECIFICATIONS & OPTIONS

Specifications of Control Unit	
Input Voltage	220-240VAC 50Hz / 110-120VAC 60Hz
Output Voltage	24 VDC
Battery Pack	24 VDC 5AH
Lift Control	Handset and Panel
Protection Class	IP54 (Protection against dust and splash of water)
Sound Level Under Full Load	16db
Sound Level Under No Load	11db
Lift Cycles Per Charge	25 full cycles under full load
Overload Warning	by LCD
Battery Status	by LCD
Duty Cycle	10% Duty cycle (Max 2 minute ON,18 minute OFF)



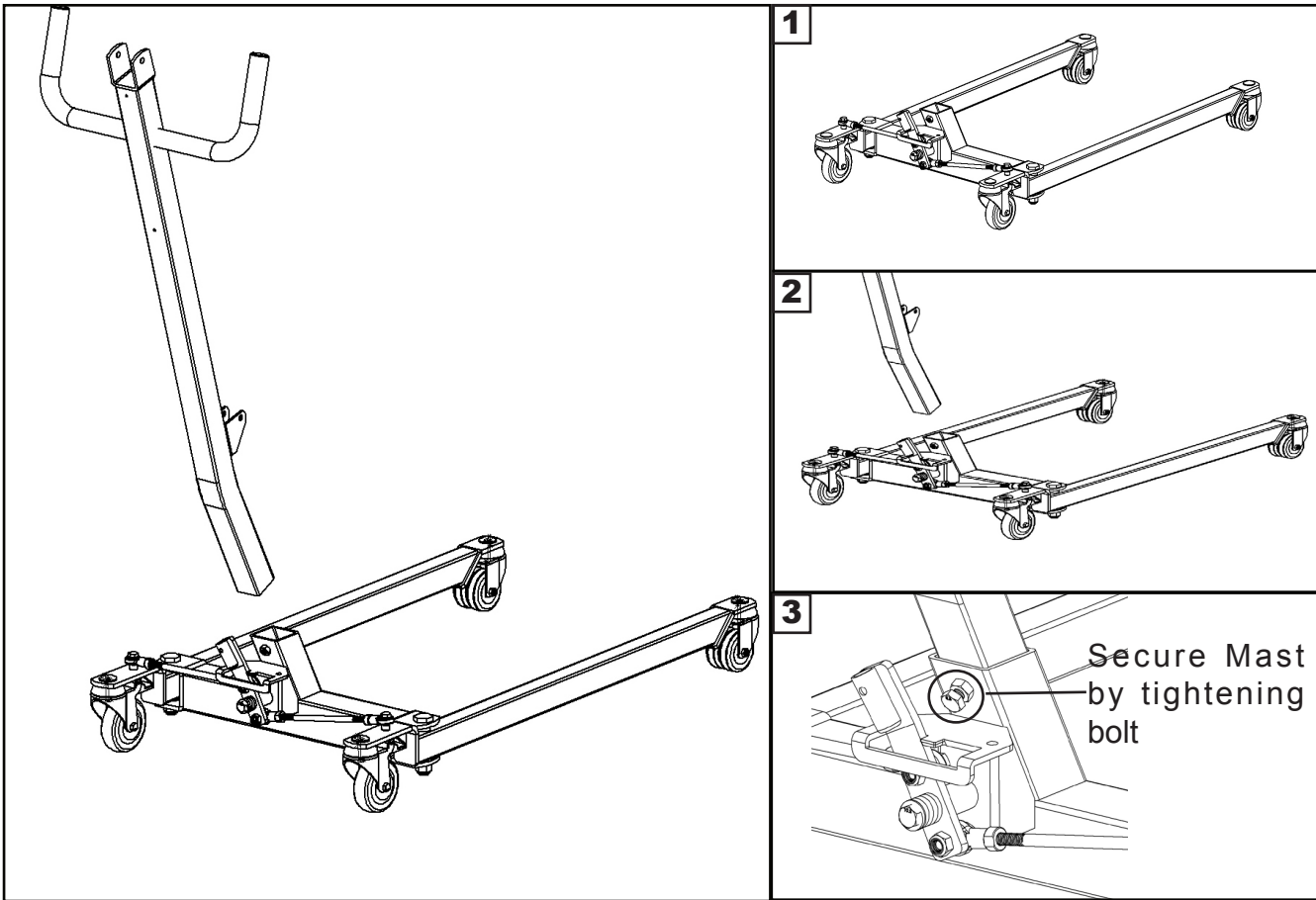
Dimensions & Specifications			
Model		PL182	PL228
Safe Working Load		400 lb	500 lb
A	Base Length	45.1"	45.1"
B	Base Ext. Width - Closed	24.9"	24.9"
C	Base Int. Width - Opened	38"	38"
D	Mast Height	48.4"	48.4"
E	Front Caster Height	4.7"	4.7"
F	Lifting Height - Lowest	26.2"	26.2"
G	Lifting Height - Highest	69.8"	69.8"
H	Base Opened Turning Diameter	61.3"	61.3"
I	Base Closed Turning Diameter	57.8"	57.8"

Standard Features	
1	6-Point Spreader Bar
2	4" Rear Caster with Brake
3	3" Dual Front Caster
4	Power Control Unit
Optional Features	
1	2-Point Spreader Bar
2	Charging Cradle
3	Digital Scale
4	Additional Battery pack

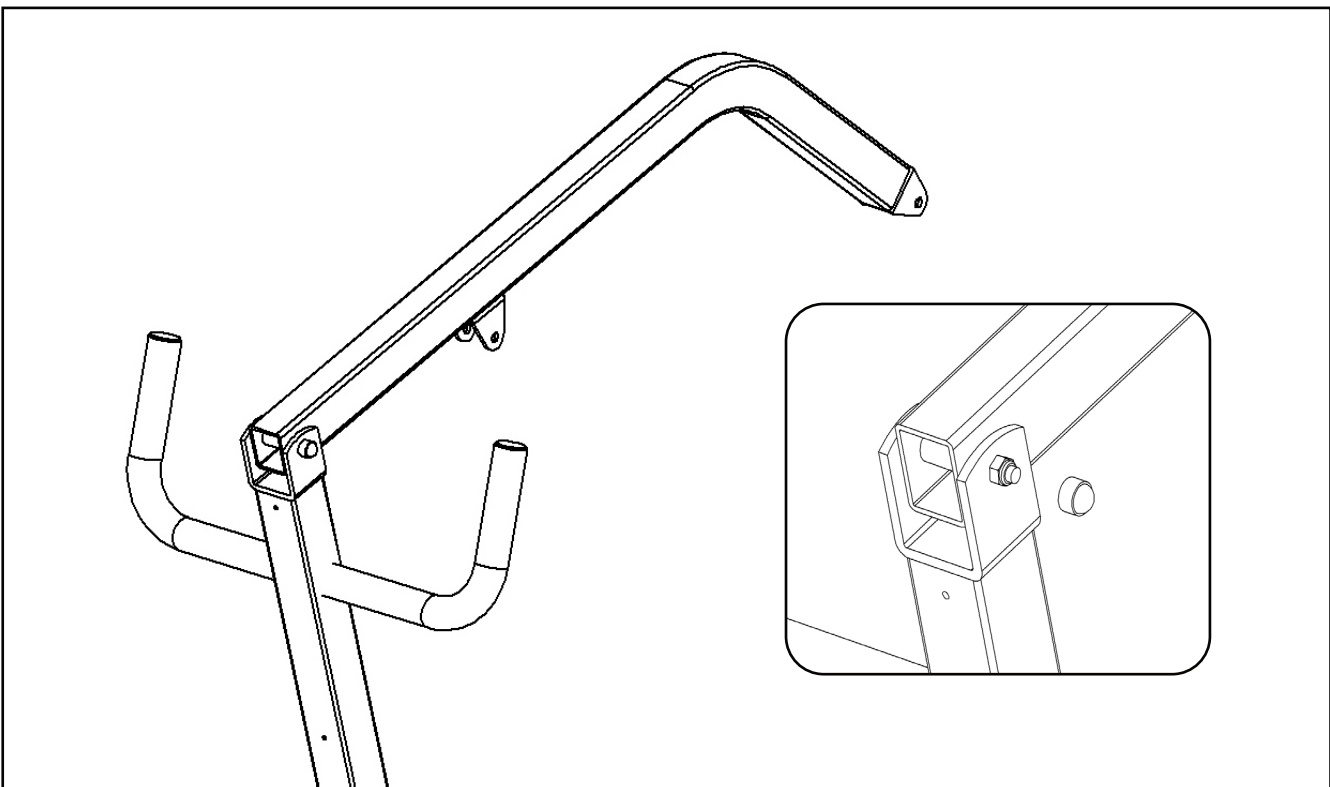
	PL182	PL228
Lift Weight Unloaded (lb)	101	101
Lift Weight Unloaded (kg)	46	46

\* Bestcare is committed to continuous improvements of our products therefore the specification, dimensions, and features listed above are for guidance only and are subject to change without prior notice.

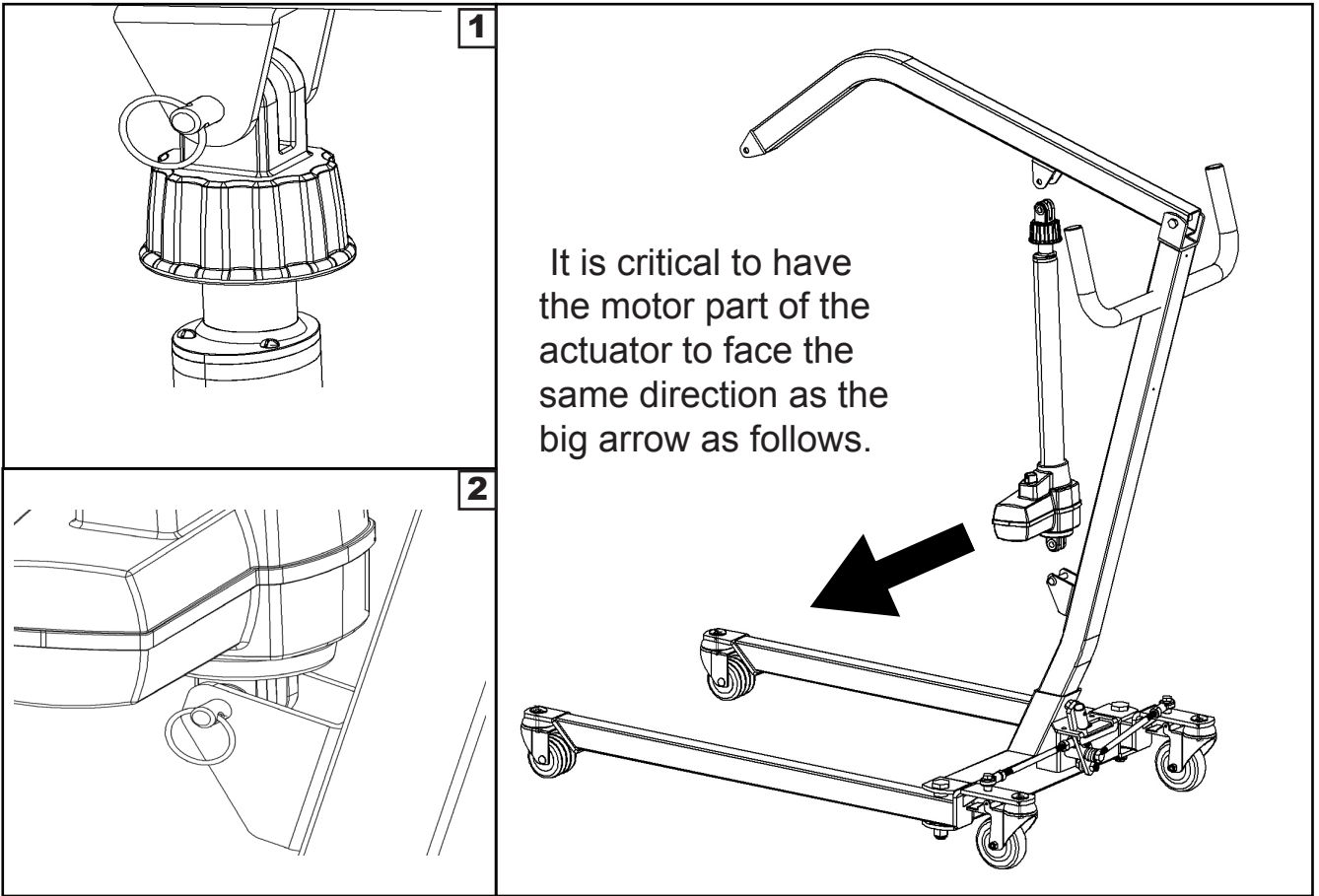
## Installation 1: Base and Mast



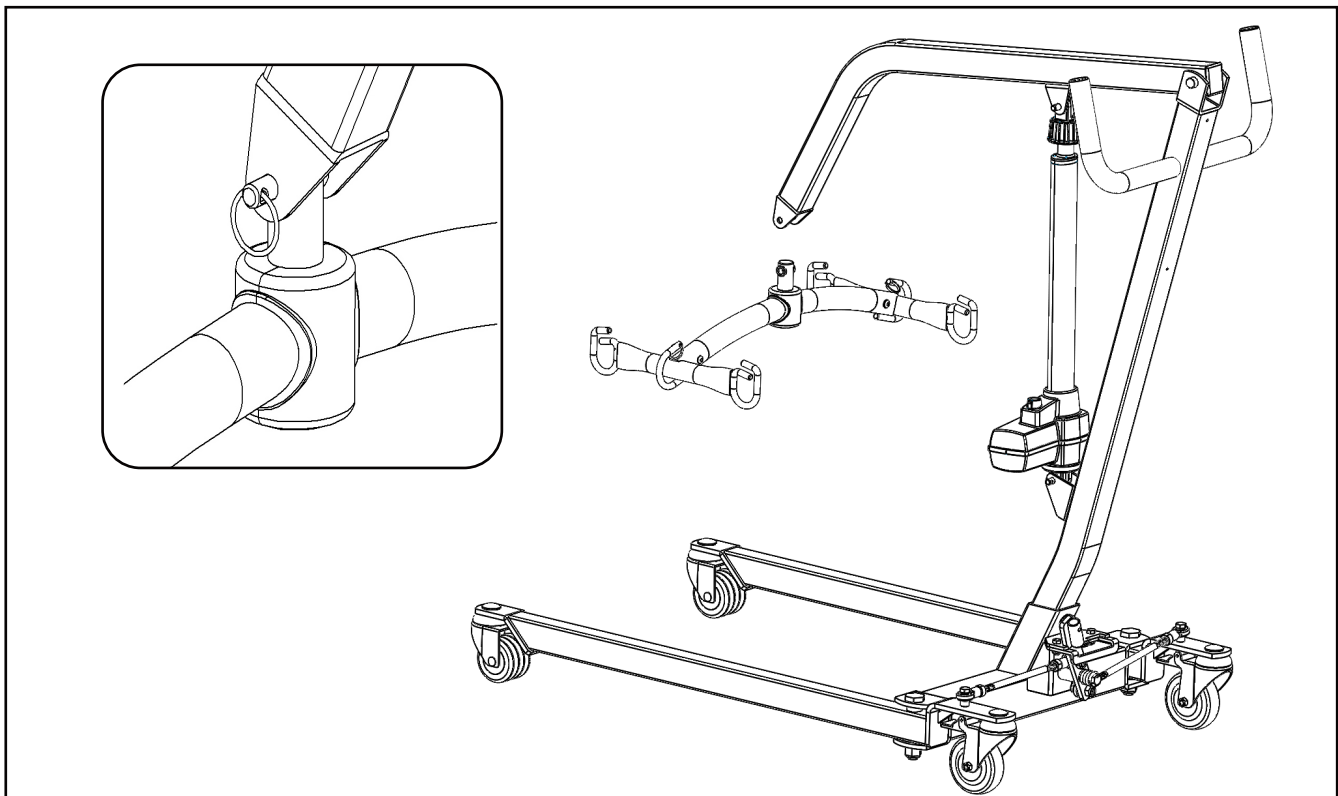
## Installation 2: Boom



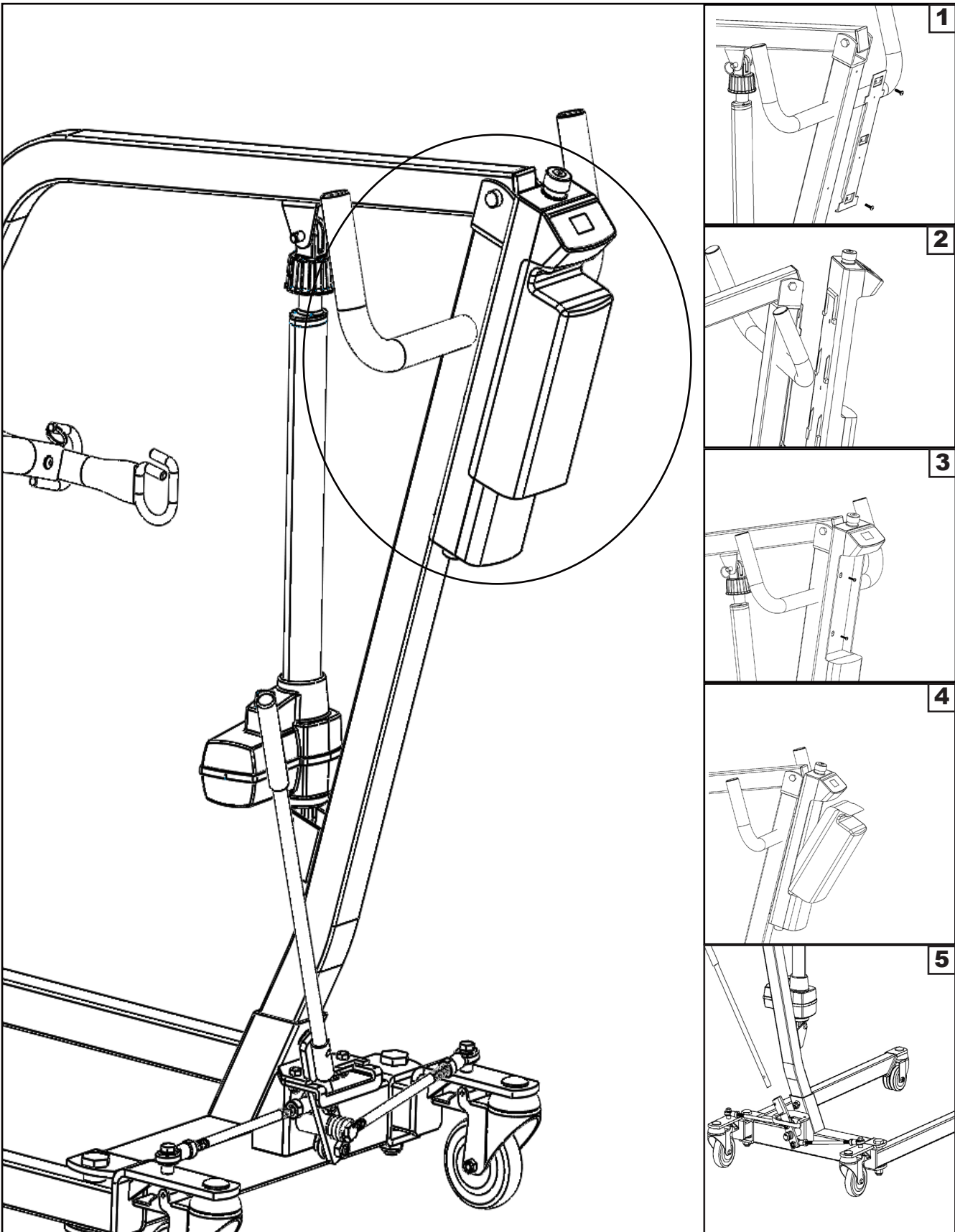
### Installation 3: Actuator



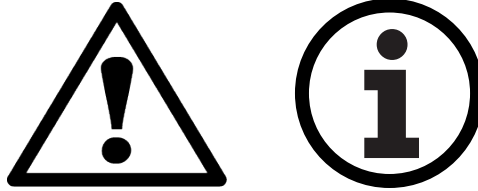
### Installation 4: Spreader Bar



# Installation 5: Power Control Unit



# Operating Instructions



**Double check all assemblies for tightness and read operating instructions carefully prior to use.**

**For optimum performance the lift should be transported and stored in following condition range:**

- -25°C to +5°C (-13°F to 41°F), and
- +5°C to +35°C (41°F to 95°F) at a non-condensing relative humidity 0% to 90%
- +35°C to +70°C at a water vapor pressure up to 5 kPa

**For optimum performance the lift should be operated in following condition range:**

- at a temperature range of +5°C to +40°C (+41°F to +104°F)
- at a non-condensing relative humidity range of 15 % to 90 %, but not requiring a water vapor partial pressure greater than 5 kPa
- 70 kPa to 106 kPa atmospheric pressure

**The lift will not have any potential electromagnetic or other interference with other devices.**



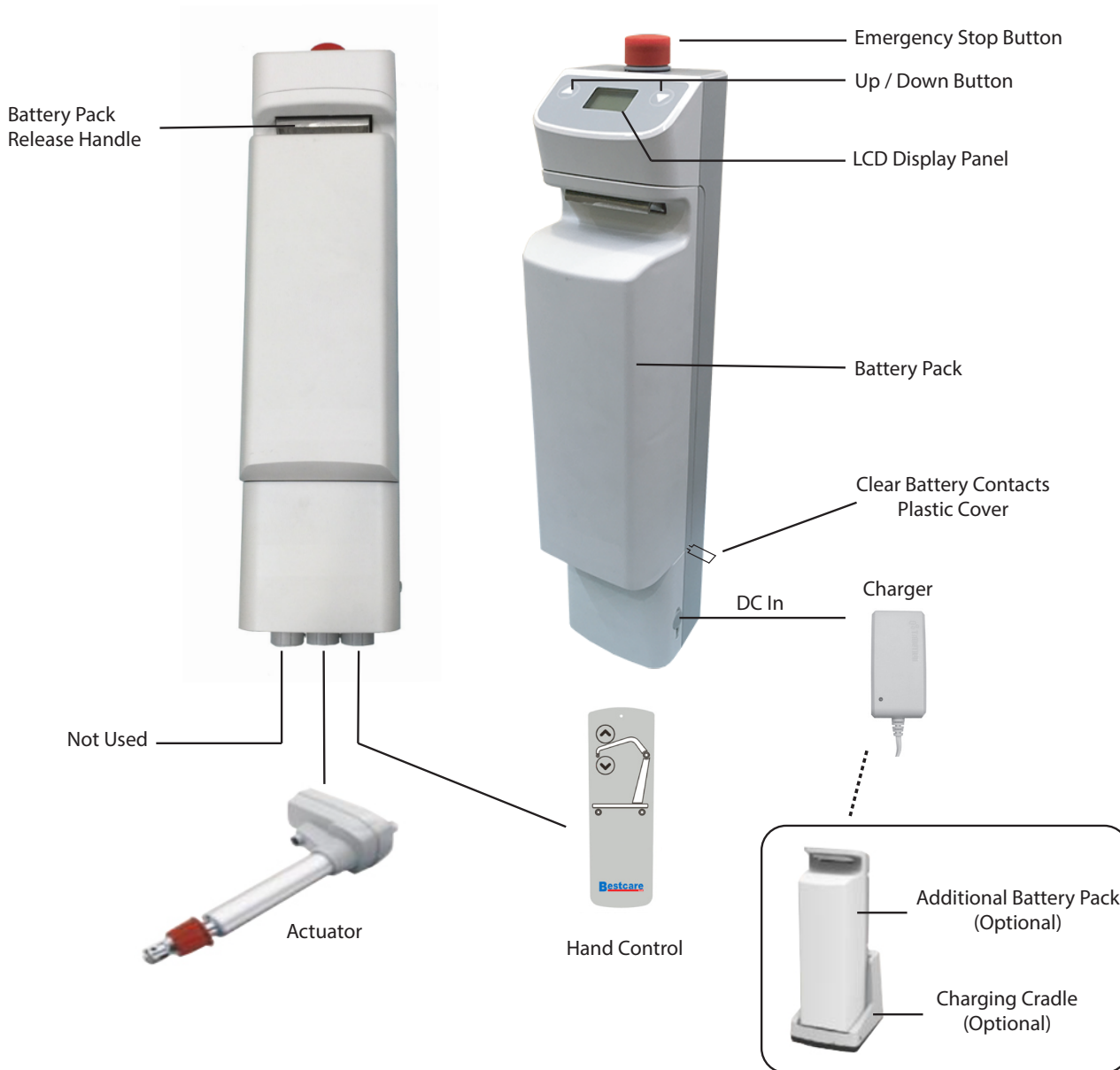
## **PREPARATION BEFORE LIFTING**

- Twist the RED EMERGENCY STOP BUTTON clockwise.
- Verify the Lifting and Lowering Functions by pressing either the UP or DOWN button on the hand control once.
- Position the base of the lift around or under the object.
- Widen the base and disengage the caster brakes.



Do not attempt to transfer a patient without prior approval of the person's nurse. Also, do not transfer without having studied the instructions and performed several practices in operating the product. Together (with the patient's doctor, nurse, or medical attendant) select a sling that is both practical and comfortable. The sling selected should be one that serves the needs of the patient, while providing the patient with optimal safety. Never interfere with the lift, unless instructed by the attendant. Have a doctor, nurse, or medical attendant (experienced in the use of the BestLift®) present during the first few times the lift is used to transfer a new user.

# Power Control Unit Overview



1. Connect Actuator as shown above.
2. Connect Hand Control as shown above.
3. The battery should be charged daily to prolong the battery life.
4. Must remove the clear battery contacts plastic cover before use.  
Remove the battery in order to remove the plastic cover.

## **WARNING!**

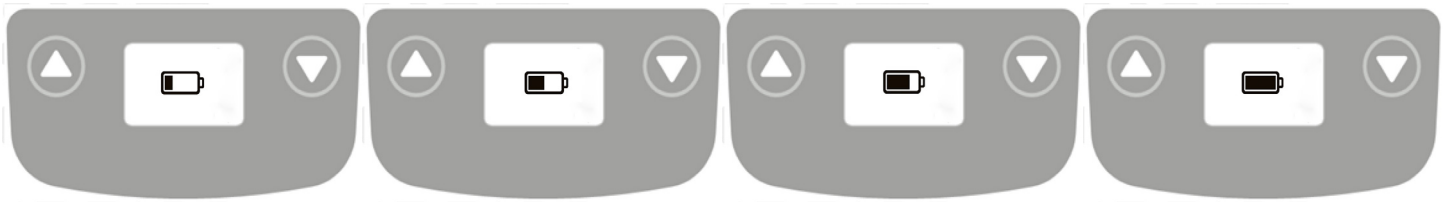
- Contains a long charger cord that may cause strangulation if used improperly!
- Keep long charger cord out of walkway where it poses a tripping hazard!
- Have the charger port on the controller facing away from the wall for easy disconnection!
- When removing the battery, need to secure the battery with both hands as it can cause injury if dropped!



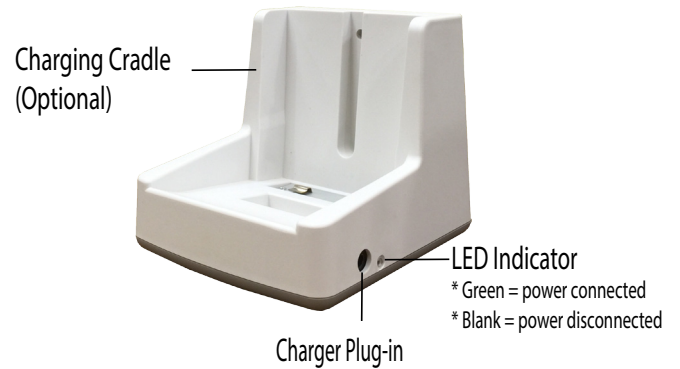
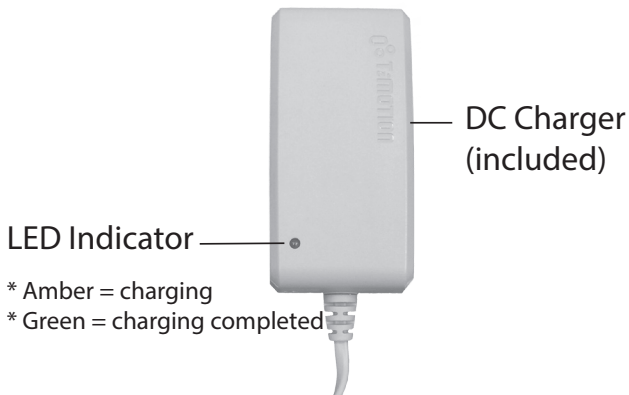
## LCD Display Panel Signs

When the emergency stop button is released, the LCD Display Panel will show one of the four signs below.

- The sign will display for 5 seconds.
- Then the lift will go into standby mode and the sign disappears.
- The lift is ready for use.



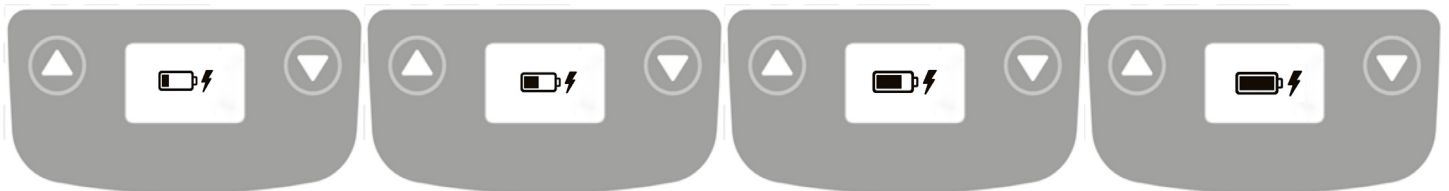
## Charging: DC Charger or Charging Cradle



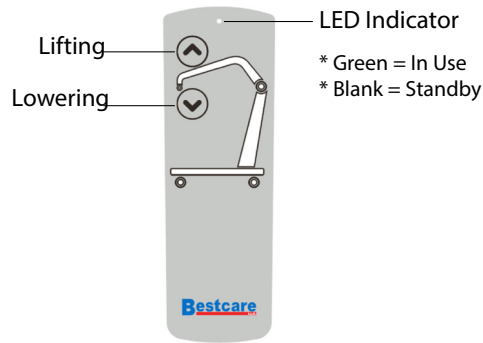
## LCD Display Panel Signs - Charging

During charging, the LCD Display Panel will show one of the four signs below.

- The DC Charger must be connected.
- The emergency stop button must be released.
- The battery will not be charged if the emergency button is pressed in.

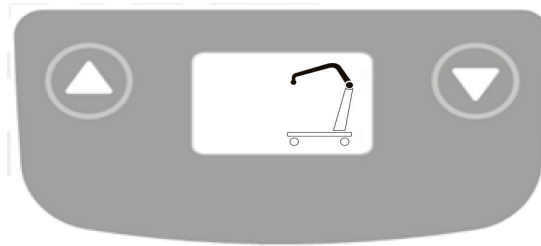


# Operating Lift: Using Hand Control



Button	Press Button	Release Button

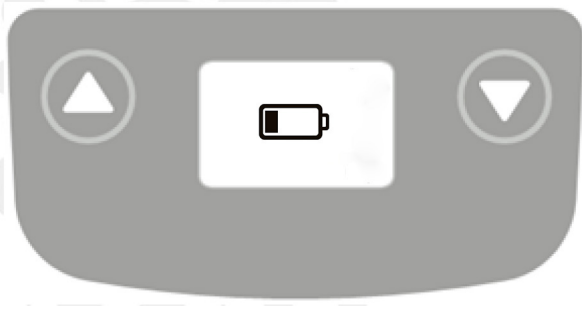
# Operating Lift: Using LCD Display Panel



Button	Press Button	Release Button



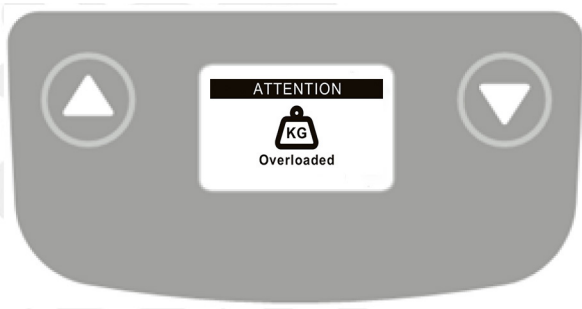
## Warning! - Battery Low and Charging is Needed



If the battery needs to be charged, the LCD Display Panel will show a blinking low battery sign shown on the left either when the emergency stop button is released or when a button on the LCD Display Panel is pressed.

- Lift is still functioning.
- Buzzer will beep every 2 seconds.
- Battery needs to be charged immediately after use.

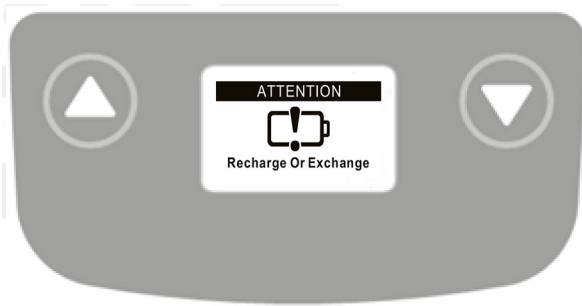
## Warning! - Overloaded



During lifting if the lift is overloaded, the LCD Display Panel will show the sign on the left and lifting will be deactivated immediately.

- The buzzer will beep 3 times.
- Lowering the lift by pressing the DOWN button is still allowed.
- The emergency stop button must be pressed in and then release the button before further lifting.

## Warning! - Charge Battery Immediately



If the battery is critically low, the LCD Display Panel will show the sign on the left either when the emergency stop button is released or when a button on the LCD Display Panel is pressed.

- Lift operation is deactivated.
- Battery needs to be charged immediately before further use.

# Available slings compatible with Patient Lift

Sling Type	Material	Sizes
Universal	Mesh	M, L
	Polyester	M, L, XXL
Universal with Head Support	Mesh	S, M, L
	Polyester	S, M, L, XXL
Universal Disposable	Nonwoven, Disposable	M, L
Universal Disposable with Head Support	Nonwoven, Disposable	S, M, L, XXL
Sani	Polyester	S, M, L, XXL
Invacare® Replacement	Polyester	M, L, XL
	Mesh	M, L, XXL
Invacare® Replacement with Head Support	Mesh	M, L, XL, XXL
Hoyer® Replacement	Polyester	M, L, XL
Hoyer® Replacement with Head Support	Polyester	M, L, XL
Liko®/Guldmann® Replacement	Polyester with PU Coating	M, L, XL
Liko®/Guldmann® Replacement with Head Support	Polyester with PU Coating	M, L, XL
Liko®/Guldmann® Disposable Replacement	Nonwoven, Disposable	M, L, XL
Liko®/Guldmann® Disposable Replacement with Head Support	Nonwoven, Disposable	M, L, XL
Pediatric with Head Support	Mesh	Standard
	Polyester	



**If the patient is pregnant or has any skin conditions, consult with a doctor before use.**



**ALWAYS check that sling weight capacity is suitable for the patient**

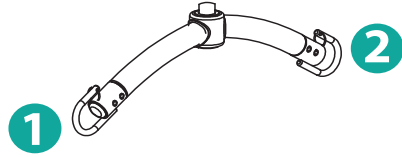
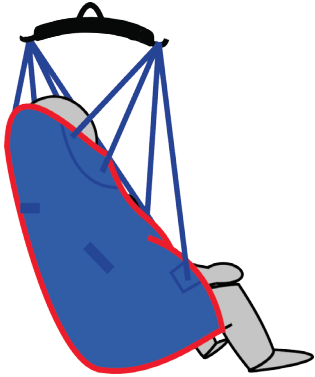


**All slings are type BF applied parts**

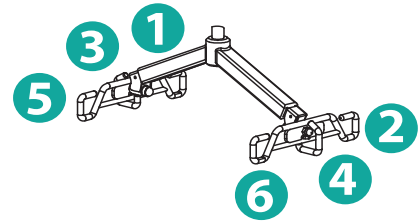
**For further product information and support, please contact your dealer or visit our website at [www.bestcarellc.com](http://www.bestcarellc.com)**



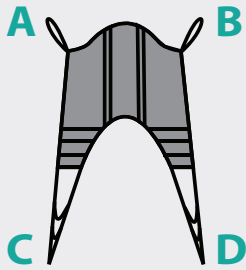
# Sling Hook-Up Guide



2 Point S-Bar



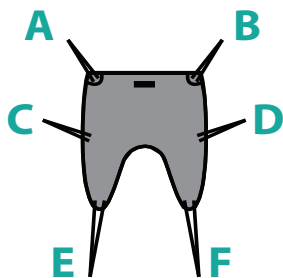
6 Point S-Bar



4 Strap Sling

- Hook up A → Point 1
- Hook up B → Point 2
- Insert D through C
- Hook up D → Point 1
- Hook up C → Point 2

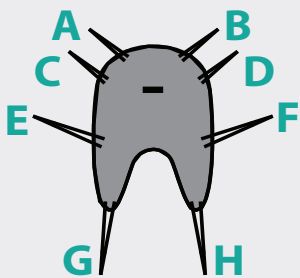
- Hook up A → Point 1
- Hook up B → Point 2
- Insert D through C
- Hook up D → Point 5
- Hook up C → Point 6



6 Strap Sling

- Hook up A, C → Point 1
- Hook up B, D → Point 2
- Insert F through E
- Hook up F → Point 1
- Hook up E → Point 2

- Hook up A → Point 1
- Hook up B → Point 2
- Hook up C → Point 3
- Hook up D → Point 4
- Insert F through E
- Hook up F → Point 5
- Hook up E → Point 6



8 Strap Sling

- Hook up A, C, E → Point 1
- Hook up B, D, F → Point 2
- Insert H through G
- Hook up H → Point 1
- Hook up G → Point 2

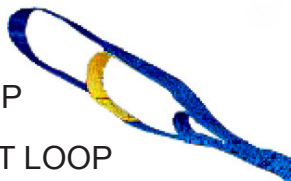
- Hook up A & C → Point 1
- Hook up B & D → Point 2
- Hook up E → Point 3
- Hook up F → Point 4
- Insert H through G
- Hook up H → Point 5
- Hook up G → Point 6

## Sling Loop Options

SAFETY LOOP

CENTER LOOP

SHORT LOOP



SAFETY LOOP - DO NOT USE FOR LIFTING

\*\*safety loop is used with the center loop or short loop.

CENTER LOOP - reclined position

SHORT LOOP - upright position



**BEFORE LIFTING THE PATIENT, PULL ON EACH SLING LOOPS TO ENSURE THE LOOP IS HOOKED ONTO THE SPREADER BAR PROPERLY**

## **Transfer From Bed to Wheelchair**

- User/patient should be in the center of the bed.
- Position user onto his/her side by rolling user towards you.
- Roll the sling in half. The handle on the back section should face outward when the sling is fitted.
- Position the sling under the user/patient so the commode aperture aligns with the base of the spine and top of the sling close to the neck.
- Roll user onto the opposite side and position him/her on the flat section of the sling. This will allow you to unroll the remainder of the sling from the other side of the user.
- Once the sling has been positioned centrally, feed the leg sections under the thighs and draw them up between the thighs.
- Raise the head of the bed if this function is available.
- Move the lift slowly towards the user and position the spreader bar over the user's/patient's chest. Attach loops of the sling to the hooks on Spreader Bar as shown in the Sling Hook-Up Guide on next page.
- Lift the user above the bed by using the hand control.
- Pull lift away from bed. Position user over the wheelchair or chair then lower the patient onto the surface.
- Reverse the above procedures when returning the user/patient to bed.

## **Transfer From Wheelchair to Bed**

- Grasp the sling at each corner of the "U" shape of the commode aperture.
- The sling should be fitted with the grab handles on the back section facing outward.
- Help the user lean forward slightly, then slide the sling down between the chair and the user's back.
- Position the commode aperture where the buttocks meets the seat.
- Position the sling equally around both sides of the body.
- Draw the leg sections to the front along the length of the user's thigh.
- Check the sling's central positioning by comparing the lengths of the leg sections when they are drawn forward.
- Reposition the sling if the leg sections are not equal in length.
- Feed the leg sections under the thighs.
- From between the legs, gently pull the leg section up the inner thigh. Feed as much material as possible under and between the thighs. Ensure the leg sections are positioned midway under the thighs to provide good support and greater comfort.
- Move the lift slowly towards the user and position the spreader bar over the user's chest. Attach loops of the sling to the hooks on Spreader Bar as shown in the Sling Hook-Up Guide on next page.
- Lift patient above the wheelchair by using the hand control.
- Pull lift away from wheelchair. Position patient over bed and lower patient onto bed
- Reverse the above procedures when returning the user/patient to a wheelchair.

# Maintenance & Inspection



- The Bestcare Lift requires a minimum of service to keep it in proper working order and to assure safe operation. It is important that certain basic checks be performed periodically by the operator of the lift or by a qualified bio-med or maintenance staff.
- The manufacturer recommends that the following components and operating points be scheduled for periodic inspection at intervals not greater than 6 months ( $\leq 6$ ). The manufacturer also recommends visual inspection prior to use for the additional points below (V). The periodic inspection interval and the visual inspection points are listed below.
- Note – Bestcare assumes that the assembly instructions were performed properly and by a qualified individual. Bestcare also assumes that the operator of the lift has been properly trained, reviewed all the training material and knows how to operate the lift.
- With proper use and care, the expected lifetime of the lift is 10 years or 20,000 cycles.
- The expected lifetime of the electrical components are 3 years.
- Contact Bestcare for any recycling information

	V upon use	$\leq 6$ months
<b>Boom and Spreader Bar</b>		
Check connections between boom and spreader bar for proper connection with pin & key ring (for Patient Lifts)	X	X
Check connection between boom and mast for improper connection, looseness, or wear		X
Check spreader bar hook bolts for looseness or damage (for Patient Lifts)	X	X
Key rings are present on spreader bar hooks (on patient lifts) and on boom hooks (on stand assist lifts)	X	X
<b>Mast</b>		
Check mast for bending or deflection		X
<b>Base and Foot Pedal</b>		
Check all nuts and bolts for looseness		X
Check all casters and axle bolts for tightness		X
Check all casters for rotation and locking/unlocking (rear only)		X
Apply multi-purpose grease to bearings if needed		X
Check all weld joints for rust and cracks		X
<b>Actuator and Control Box</b>		
Confirm control box is securely affixed to the mast, and battery pack is secured in control box		X
Confirm actuator is secured between the boom and the mast with the pins and key rings	X	X
Confirm manual emergency lowering mechanism on actuator operates properly		X
Confirm red button on control box shuts off all power when pressed		X
Confirm all cables at the bottom of the control box are properly connected		X
<b>Sling</b>		
Inspect the body of the sling and all loops or connectors that could attach to the spreader bar for signs of wear, damage, or fraying	X	X
<b>Lift Cleaning</b>	As needed	As needed

# Cleaning and Disinfecting

## Cleaning of the lift

- Use pH-neutral detergents only.
- Remove the battery from the controller
- Clean lift surfaces, control box and hand control with a damp cloth using pH-neutral detergent.
- Remove debris and hair from the casters and make sure the casters can spin and swivel freely.



- Solvents or strong liquids or abrasive cleaning products will damage the surfaces of the lift.

## Cleaning of the sling

- Check with sling label for washing condition.
- As for minor cleaning between patient uses, we recommend wipes with water-soluble soap or isopropyl alcohol.
- For slings with rigid supports, remove the plastic inserts before washing. (Look for an opening near the plastic inserts for removal)
- Machine wash warm or cold.
- Do not wash with other colors.
- Air dry or very low dryer heat.



- DO NOT USE BLEACH.
- DO NOT clean or wash disposable slings.
- REPLACE a sling when it shows signs of deterioration.

## Deterioration of sling

- Contact Bestcare for “Guideline for Identifying Deteriorated Slings” if needed.

## Disinfecting of the lift and sling

- Inspect slings prior to each use for contamination from previous use.
- Use isopropyl alcohol for any disinfection purpose.



- Wash a reusable sling for serious contamination
- Replace a disposable sling for any contamination
- Reusing a contaminated sling can cause serious bacterial infection

# **WARRANTY POLICY**

Bestcare LLC offers a limited warranty on all patient lifts, slings and accessories to be free of defects in workmanship and product performance. This warranty is extended only to the original purchaser/user and is therefore non transferable. Any warranty claims must be submitted through an authorized dealer or distributor that sold the original product with proper proof of sale and serial number supplied. Prior authorization from Bestcare LLC is required for any warranty replacement and we reserve the right to replace parts and or accessories in lieu of sending complete new patient lifts. Dealers and distributors will be billed for any advance warranty replacement items shipped and credited at 100% only when the defective items have been returned to Bestcare LLC and proven defective. Product returned without a Bestcare LLC return authorization will be refused. Returns received 30 days after the issuance of a return authorization will also be refused as the authorization will have expired. The final disposition of warranty claims will be subject to our inspection of the returned items. Bestcare LLC has the right to determine valid claims based on the individual circumstances of each claim. Warranty claims will be denied should evidence of the following be determined:

- Misuse of product , modification of product or failure to maintain as per the owner's manual
- Serial number removed or defaced
- Normal wear and tear

Bestcare LLC warrants the following products and components for the time period specified:

- Lift frames and spreader bar: 3 years
- Actuator: 2 years
- Parts including casters, control box, PCB, pendant, charger: 2 years
- Batteries: 1 year
- Weigh Scale: 2 years
- Spryte stand aid all components: 2 years
- Hydraulic pumps: 1 year
- Reusable slings: 6 months

Bestcare LLC Single Patient Slings are designed for limited use with one patient and may not be washed. Bestcare will replace any disposable slings found to have a manufacturing defect. Normal wear and tear will not be covered under warranty.

# Emergency Lowering Mechanism

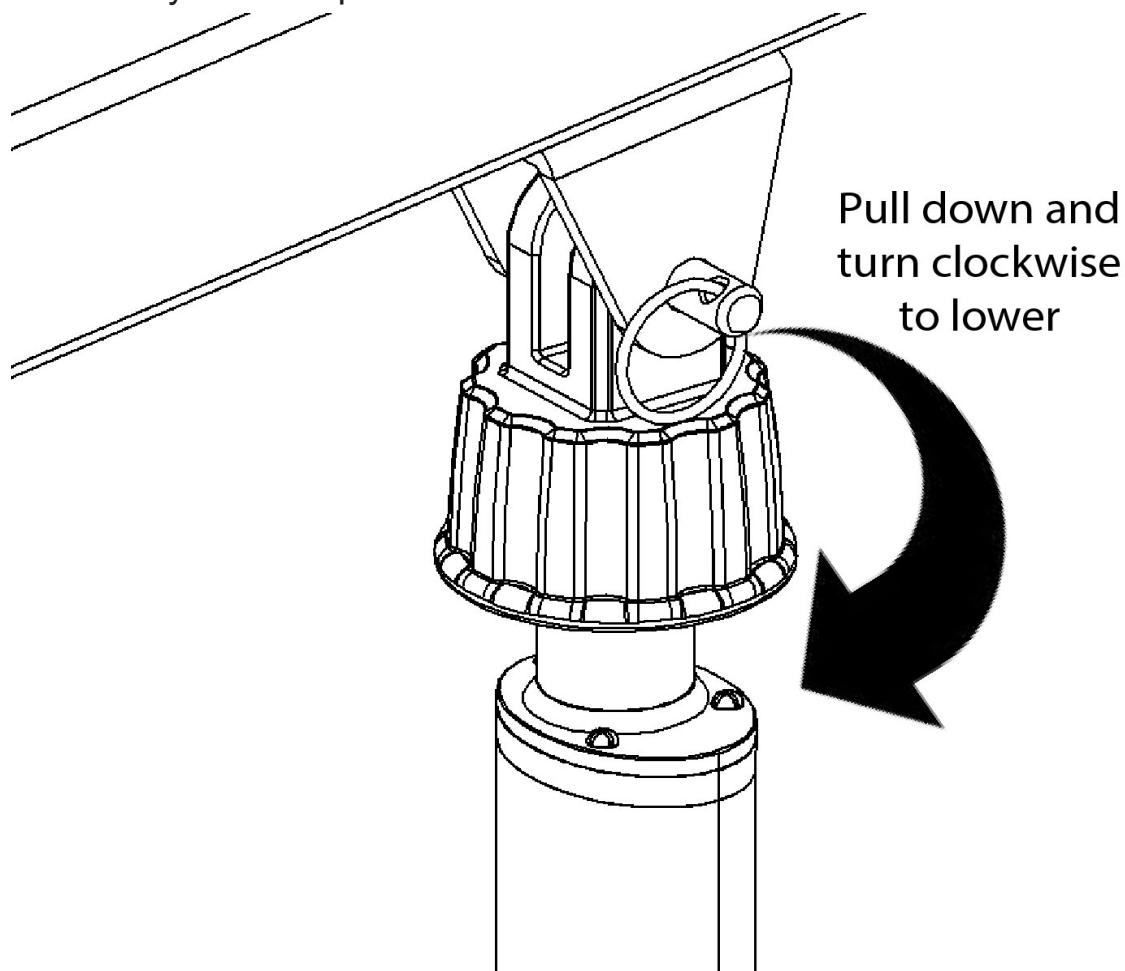
---

Contact your dealer immediately if standard troubleshooting techniques do not correct the failure. Do not attempt to lift until all failure and safety issues have been resolved.

In case of lift failure, please follow the procedures below to safely lower the user.

The Emergency Lowering Device is located at the top of the actuator shaft. It is intended for use if the actuator or electronics fail to operate while the patient is suspended in midair.

The device consists of a plastic collar ring that should be pulled down and turned clockwise continually until the patient has been lowered.



**NOTE:**

**THE EMERGENCY LOWERING DEVICE IS INTENDED FOR USE DURING LIFT FAILURE. THIS DEVICE WILL ALLOW LOWERING OF PATIENTS ONLY. PLEASE CONTACT YOUR DEALER IMMEDIATELY IN CASE OF FAILURE.**



# Troubleshooting Guide

---

The following list of encountered problems and solutions will assist you in determining what may be causing your patient lift not to function as designed. If you have a problem occurring which is not listed below please contact your dealer or technical support for help. Do not attempt to repair or replace components or parts on your lift as this may void your warranty or cause further problems that may result in patient injury. Stop using your lift immediately if it is not functioning correctly or any warning beeps are heard.

***I need to re-charge my batteries often or they fail to hold a charge when I charge them.***

- Replace the batteries or battery pack as they are at the end of their life cycle
- Batteries should be changed every 18-24 months depending on usage

***The actuator will either go up or down but not both***

- Replace your hand control as it is at the end of its life cycle
- Your control box may be malfunctioning

***There is a grinding sound inside the actuator when lifting***

- Replace your actuator as the internal gears are stripped

***The actuator stops and starts while lifting or lowering***

- Replace the batteries or battery pack as they are at the end of their life cycle

***My lift will not operate even though it shows the batteries are charged***

- Unplug the AC power cord from the control box as the lift will not work when the control box/ charger is connected to AC Power.
- Check to make sure the hand control is properly inserted all the way into the control box port.
- Check to make sure the actuator plug is properly connected and inserted all the way into the control box
- Your hand control needs to be replaced as it is at the end of its life cycle

***If there is a problem you could not solve, please contact your dealer for assistance.***



# NOTES

# NOTES

# Bestcare

L.L.C.



Bestcare LLC  
2920 Pacific Drive  
Norcross, GA 30071

Ver 2021.09

[www.bestcarellc.com](http://www.bestcarellc.com) | © 2021 Bestcare LLC