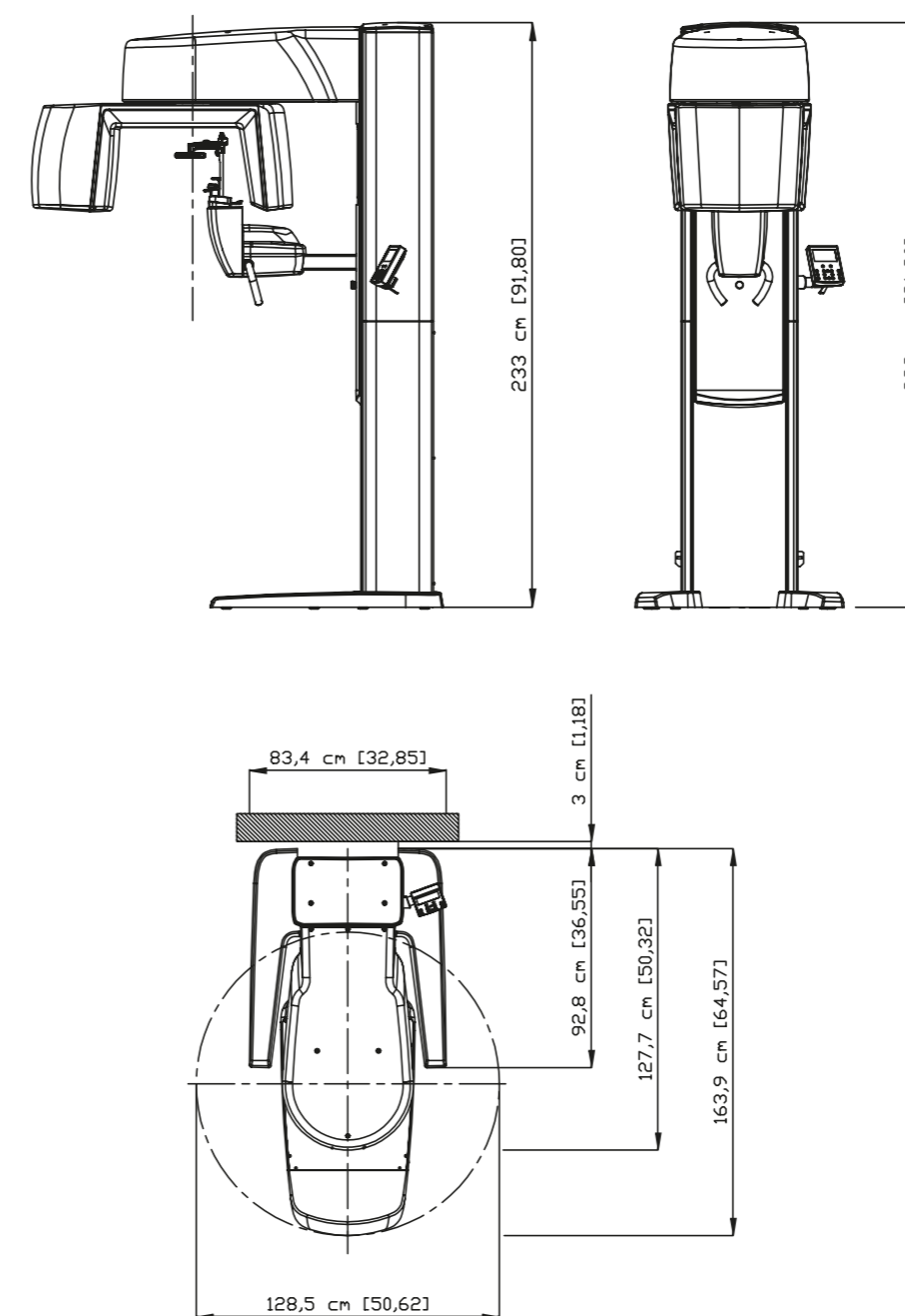


TECHNICAL SPECIFICATIONS.

X-ray source	High frequency generator, rotating-anode X-ray tube; 75-110 kV, 1-32 mA (pulsed mode)					
Focal spot	0.3 mm					
Exposure Control	SafeBeam™ to reduce exposure according to patient build					
Sensor	Amorphous silicon flat panel					
Grey scale	16-bit					
3D scan time	15 - 25s					
3D emission time	0.9s - 6s					
3D image acquisition	Single scan with Cone Beam technology. 360° rotation					
Available FOV Diameter x Height	Resolution		Selectable 3D scan modes			
	Standard	HiRes	Eco	Regular	Boosted	Enhanced
24 x 19 cm	■		■	■	■	■
17 x 19 cm	■		■	■	■	■
16 x 16 cm	■		■	■	■	■
15 x 12 cm	■		■	■	■	■
15 x 5 cm	■	■	■	■	■	■
12 x 8 cm	■	■	■	■	■	■
10 x 10 cm	■	■	■	■	■	■
10 x 5 cm	■	■	■	■	■	■
8 x 8 cm	■	■	■	■	■	■
8 x 5 cm	■	■	■	■	■	■
5 x 5 cm	■	■	■	■	■	■
Selectable voxel size Standard	200 - 300 µm					
Selectable voxel size HiRes	100 - 150 µm					
Reconstruction time	Less than 1 minute					
Image acquisition Sharp 2D	Panoramic and LL, AP and PA telerradiographic images from a single scan. Exposure 2.4s 75 kV					
CineX image acquisition	1-36s Serial Radiography, field of view 17x19 cm (HxW)					
Patient positioning	Standing, sitting or in wheelchair					
Weight	Scan unit 377 kg, control box 95 kg					
Software	NewTom NNT (ISDP®10003:2018 compliant in accordance with EN ISO/IEC 17065:2012 certificate number 2019003109-1) with Viewer software, free					
DICOM nodes	IHE compliant (Print; Storage Commitment; WorkList MPPS; Query/Retrieve)					
Power supply	15A @ 100/115V~, 12.5A @ 200V~, 10A @ 220/230/240V~, 50/60Hz					



Dimensions in centimetres
(dimensions in inches)

Specifications subject to change without prior notice.



0051