

TECHNICAL SPECIFICATIONS.

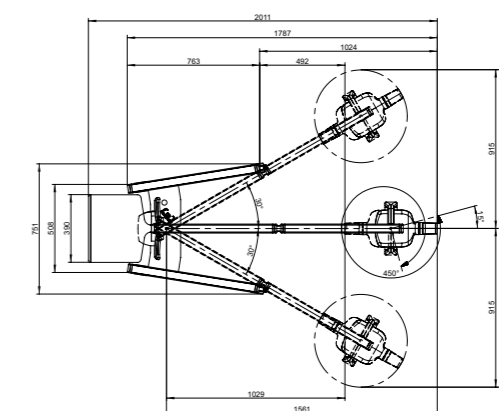
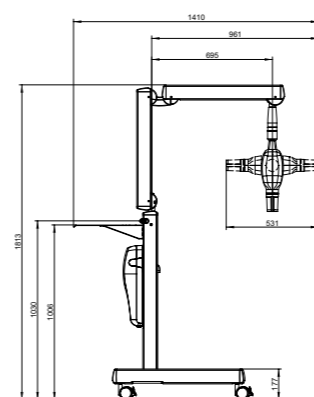
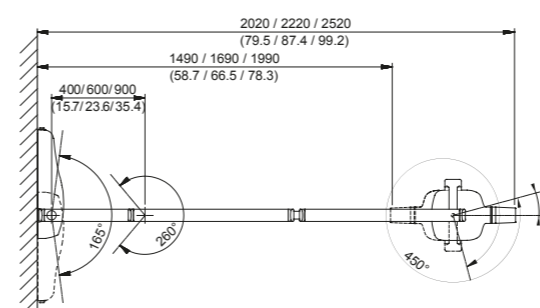
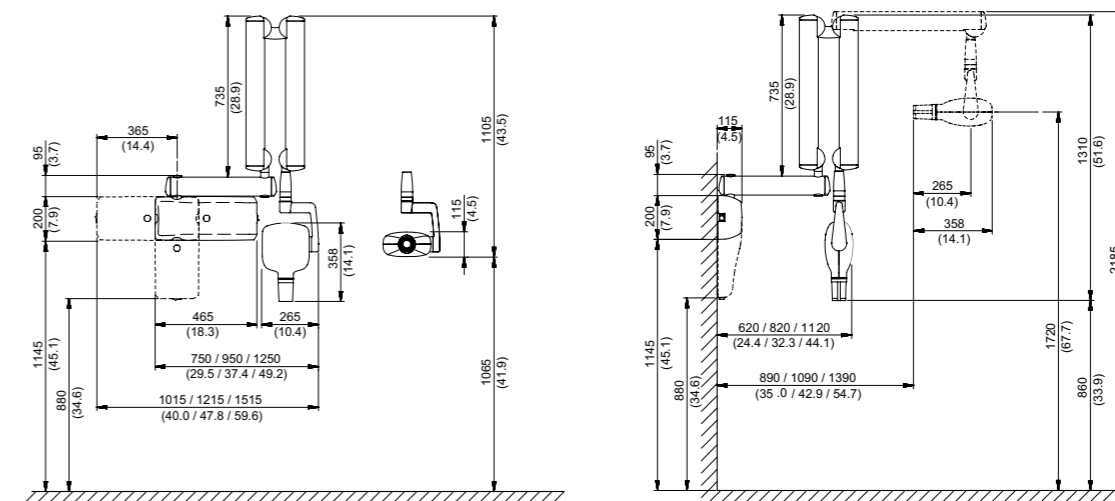
RXDC X-RAY UNIT

Generator	Constant potential, microprocessor-controlled
Working frequency	145 - 230 KHz with self-adjustment (typically 175 KHz)
Focal spot	0.4 mm (IEC 336)
Total filtration	2.0 mm Al@ 70kV
Anode current	4 / 8 mA
Voltage at X-ray tube	60 / 65 / 70 kV (*)
Exposure times	0.020 – 1.000 seconds, R'10 and R'20 scale
Source-skin distance	20 and 30 cm
Irradiated field	Ø 60 mm and Ø 55 mm (with round cone)
Additional collimators	35 x 45 mm (with rectangular cone for size 2 sensors) 31 x 41 mm and 22 x 35 mm, for size 1 and size 0 sensors
Power supply	50/60 Hz, 115-120Vac ±10% or 230-240Vac ±10%
Duty Cycle	Continuous operation with self-adjustment up to 1s/90s total
Arms (for Standard version only)	Available in 3 lengths: 40 cm (15.7") - 60 cm (23.6") - 90 cm (35.4")
Max. arm extension	230 cm, from wall
Versions	Standard (wall mounted) or Mobile (on portable cart)

(*) values depend on the country where the product is marketed

X-VS SENSOR	SIZE 1 – STANDARD	SIZE 2 – LARGE
Outside dimensions (mm)	38.9 x 24.9	41.9 x 30.4
Thickness (mm)	5.3	5.7
Pixel matrix	1500 x 1000	1700 x 1300
Pixel size (µm)	20	20
Max. resolution (lp/mm)	25	25
Grey level depth	14 bit acquisition - 16.384 maximum levels of grey	
Scintillator technology	CsI (Caesium Iodide) with micro-columnar structure	
Direct exposure protection	FOP (Fibre Optic Plate)	
Degree of Case protection	IP 67 (Guaranteed against liquid or dust infiltration)	
Compatibility with X-ray generators	Any AC or DC technology X-ray generator with kV values in the 60 – 70 kV range and precision control of exposure times	
Connectivity	Direct USB to PC	
Acquisition software (for PC)	iCapture with dedicated filters for third party software	
Image management software (for PC)	NNT (compliant with ISDP®10003:2018 in accordance with EN ISO/IEC17065:2012 - certificate number 2019003109-1) and iPad NNT viewer App** (free)	
Supported protocols	DICOM 3.0, TWAIN, VDD5	
DICOM nodes	IHE compliant (Print; Storage Commitment; SR document; WorkList MPPS; Query/Retrieve)	
MINIMUM SYSTEM REQUISITES		
Supported operating systems	Microsoft® Windows® 10 Professional 64 bit	
Display settings	1280 x 1024; 1344 x 768 or greater, 16 million colours	
Port	USB 2.0 or later versions	
Power supply	5 VDC, 500 mA (via USB)	

Specifications subject to change without prior notice.



** NOT available in USA and CANADA

Dimensions in centimetres
(dimensions in inches)



0051