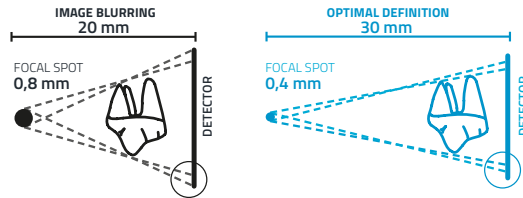


HIGHER PERFORMANCE AND MAXIMUM ERGONOMICS

Thanks to the protractor with graduated scale, arm and tube head positioning is stable, effective and just right for the task. Made of extruded aluminium and featuring an integrated self-balancing device, allowing them to be pointed in 6 directions, the arms are available in the following lengths: 40, 60 and 90 cm, making installation as simple as possible.



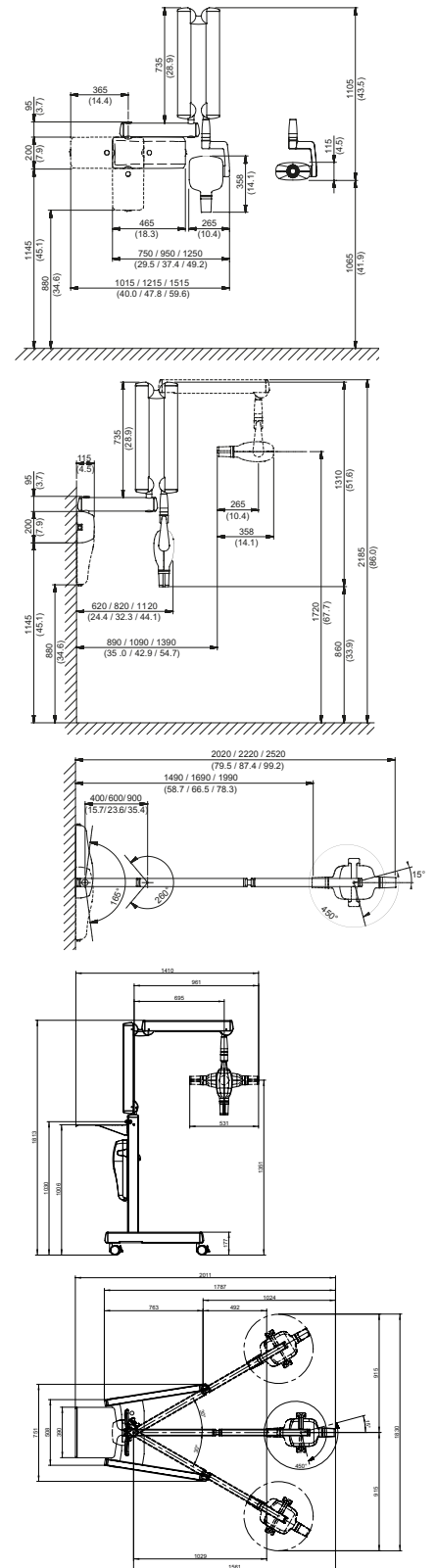
Increased X-ray parallelism and an incorporated collimator allow the RXDC to achieve a source-to-skin distance of 30 cm. The RXDC provides pin-sharp, precise images with outstanding detail.



USER-FRIENDLY CONTROL

A practical, user-friendly handheld unit, designed for immediate, precise X-ray image acquisition, allows easy selection of the most suitable programme. Moreover, it allows users to control the exact emitted dose and the tube temperature via the sequential exposure graph.

SIMPLE INSTALLATION, VERSATILITY, RELIABILITY



RXDC X-ray unit	
Generator	Constant potential, microprocessor-controlled
Working frequency	145 ÷ 230 KHz with self-adjustment (typically 175 KHz)
Focal spot	0.4 mm (IEC 336)
Total filtration	2.0 mm Al @ 70kV
Anode current	4 / 8 mA
Voltage at X-ray tube	60 / 65 / 70 kV (*)
Exposure times	0.020 – 1.000 seconds, R'10 and R'20 scale
Source-skin distance	20 and 30 cm
Irradiated field	Ø 60 mm and Ø 55 mm (with round cone)
Additional collimators (optional)	35 x 45 mm (with rectangular cone for size 2 sensors) 31 x 41 mm and 22 x 35 mm, for size 1 and size 0 sensors
Power supply	50/60 Hz, 115-120Vac ±10% or 230-240Vac ±10%
Duty Cycle	Continuous operation with self-adjustment up to 1s/90s total
Arms (for Standard version only)	Available in 3 lengths: 40 cm – 60 cm – 90 cm
Max. arm extension	230 cm, from wall
Versions	Standard (wall mounted) or Mobile (on portable cart)



(*) values depend on the country where the product is marketed

BU Medical Equipment

Sede legale ed amministrativa
 Headquarters

CEFLA s.c.
 Via Selice Provinciale 23/a ■ 40026 Imola ■ Italy
 t. +39 045 8202727 ■ 045 583500
 info@newtom.it

Stabilimento Plant

Via Bicocca, 14/c
 40026 Imola ■ Bo (Italy)
 tel. +39 0542 653441
 fax +39 0542 653601

newtom.it

